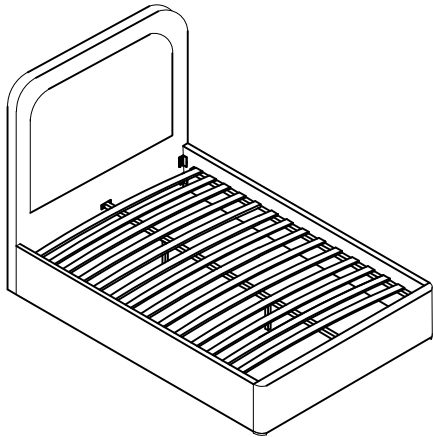


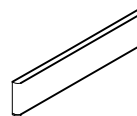
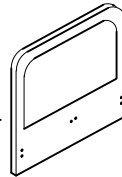
ASSEMBLY INSTRUCTIONS

BED - QUEEN



+ Parts Included

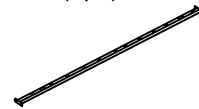
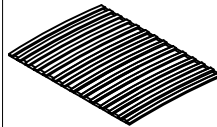
- ① Head Board (1pc) ② Foot Board (1pc) ③ Side Rails (2pcs)



- ④ Slats joint (1set=13pcs)

- ⑤ Center Support Bar (1pc)

- ⑥ Support Legs (2pcs)

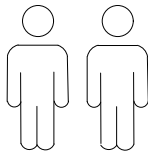


*Slats come packed in the bottom of headboard carton.

+ Do Not Use Power Tools



+ Suggested Adults



NOTE :

- 1 Read instructions cover to cover.
- 2 Save all packaging until assembly is completed.

1 IMPORTANT SAFETY INFORMATION

Do not assemble the product if any of the following parts arrived damaged:

- Part #③ -Side Rails
- Part #④ -Slats joint
- Part #⑤ -Center Support Bar
- Part #⑥ -Support Legs

2 IMPORTANT ASSEMBLY INFORMATION

Assembly Step ② Ensure the side rail bracket is fully hooked onto bolt A loosely threaded with both washers on the OUTSIDE of the bracket first, then proceed to fully tightening all 4 corners.

*Slats come packed in the bottom of headboard carton.

+ Hardware Included

- A Bolt M8*30mm (16pcs)

- B Nut M8*13mm (4pcs)

- C Spanner (1pc)



- D Spring Washer (8pcs)

- E Flat Washer $\phi 20$ (16pcs)

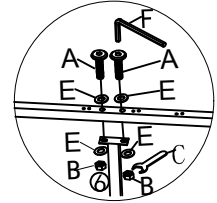
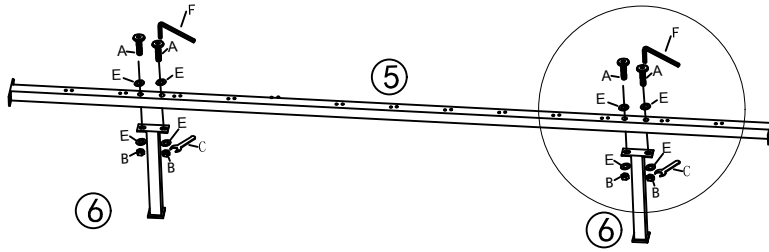
- F M8 Allen Key (1pc)



ASSEMBLY INSTRUCTIONS

BED - QUEEN

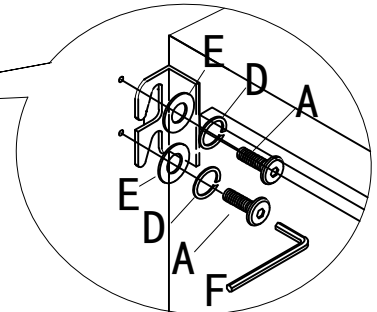
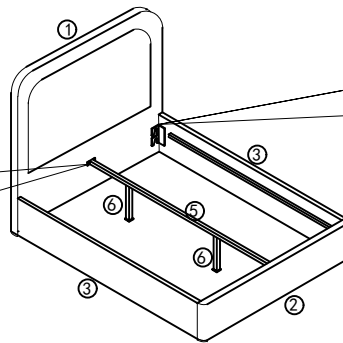
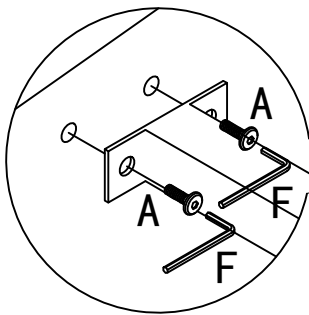
①



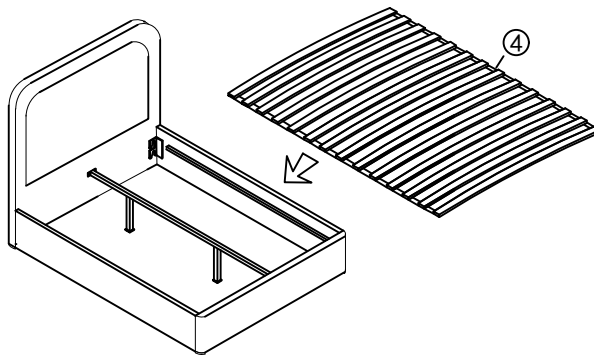
Ensure the **E** Flat Washers are installed on BOTH the top and bottom of the Center Support bar!

②

Repeat this step for each corner of the bed.



③



④

