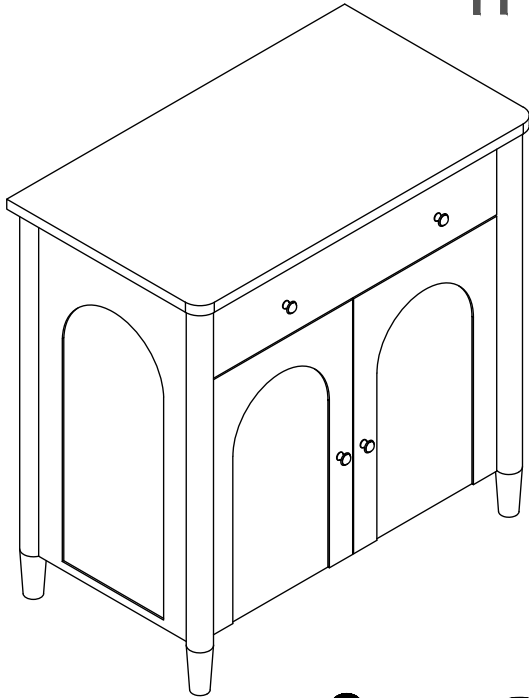


# HULALA

## HOME



**ITEM NO. NSKL1717**



Weight Capacity

**150 LBS**



Installation:  
10 minutes.



Two Person

Thank You For Choosing Our Furniture

- ▀ If you have any questions or concerns, don't hesitate to reach out to us. ▀

Contact us: +1(833)324-2464  
Email: [hello@hulalahome.com](mailto:hello@hulalahome.com)

### NOTE:






This brochure contains IMPORTANT safety info. Please read and keep it for future reference.

# MAINTENANCE AND WARNINGS



## Before You Start

### ***Please follow the steps below:***

-  Check the packaging for any damage, deformation, or water stains. If there is significant damage, please contact us promptly.
-  Unpack the box and compare the contents with the parts list and hardware list to ensure all components and accessories are present and complete.
-  Please read the installation instructions carefully to understand the installation steps and precautions to ensure proper installation.
-  Clean the installation area in advance and ensure the ground is level and there is enough space to avoid damaging the furniture or making installation difficult.
-  Lay a protective mat on the ground to prevent scratching the floor during installation.

### ***After-Sales Service***

- If you encounter any issues or need technical support during use, please contact our after-sales team. We offer long-term maintenance and warranty services.



## Precautions

- ⚠ This product is for indoor use only. Do not expose it to outdoor elements or high-humidity environments.
- ⚠ Keep the product away from high heat or open flames to prevent fire hazards.
- ⚠ Do not allow children to climb on the product, as this may cause tipping and result in personal injury.



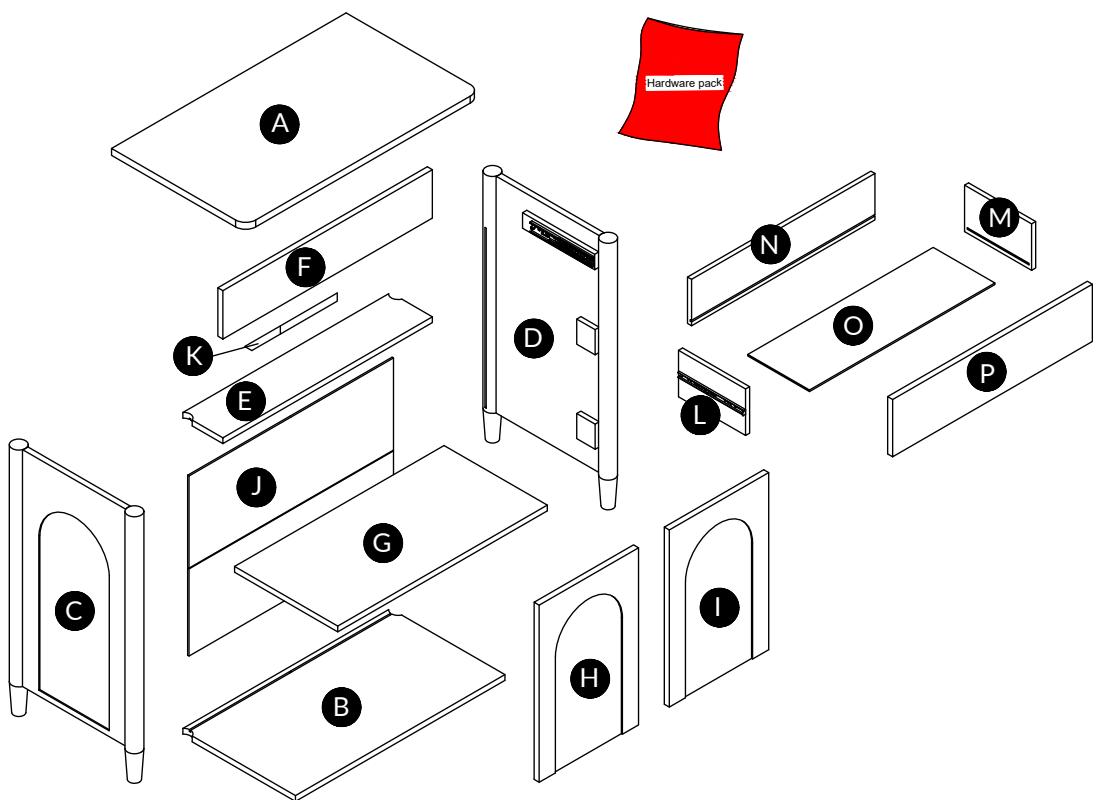
## Safety Warnings

- ⚠ If you notice any loose or damaged parts, stop using the product immediately and contact customer service.
- ⚠ Do not attempt to disassemble or replace any components yourself, as this may affect the stability and safety of the product.

### ***Daily Maintenance***

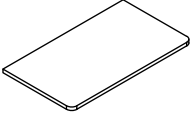
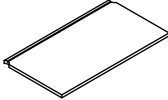
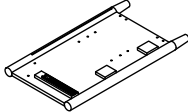
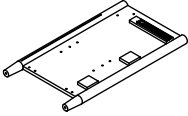

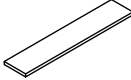
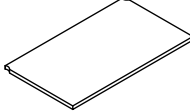
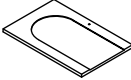
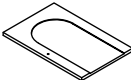
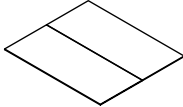

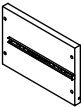
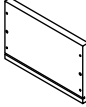
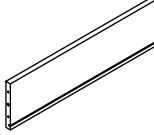
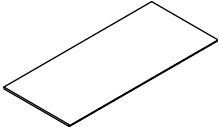
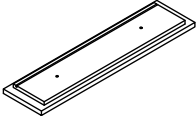

- Regularly clean the surface with a soft cloth to prevent dust accumulation.
- Do not use cleaning agents containing acids, alkalis, or corrosive substances, as they may damage the surface. It is recommended to use neutral cleaning agents or specialized furniture cleaners.
- Avoid exposing furniture to humid environments for extended periods. Use a dehumidifier or desiccant during humid weather.
- Avoid direct contact of furniture with water. If water is accidentally spilled, wipe it dry immediately.
- Avoid placing excessively heavy objects on the furniture: ensure the weight is within a reasonable load-bearing range.
- Avoid using sharp or rough items on the furniture surface to prevent scratches. Handle items gently when moving them.

**Explosive view**

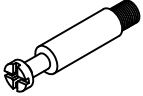

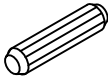


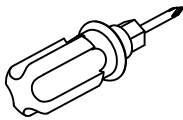





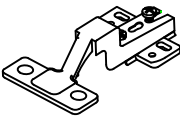


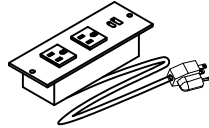


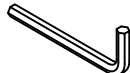


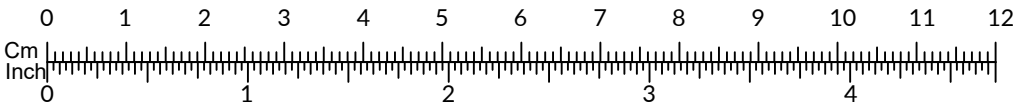
# Parts list

## Box A

Ax1 Top panel 	Bx1 Bottom board 	Cx1 Side panel 	Dx1 Side panel 
Ex1 Transverse plate 	Fx1 Vertical plat 	Gx1 Clapboard 	Hx1 Door 
Ix1 Door 	Jx1 Back panel 	Kx1 Backing plate 	Lx1 Drawer side panel 
Mx1 Drawer side panel 	Nx1Drawer side panel 	OxDrawer back pane 	PxDrawer panel 
			

# Hardware List

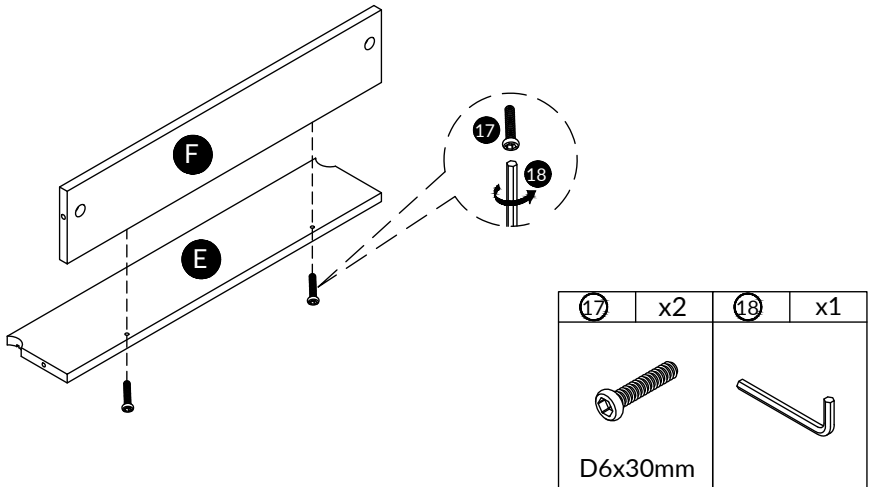
① x14+1  D6*35mm	② x14+1  D15*11mm	③ x8+1  D6*30mm	④ x8+1  D3.5*30mm
⑤ x4+1  D4*25mm	⑥ x1 Screw driver 	⑦ x4 	⑧ x1 
⑨ x4 	⑩ x4  D4*30mm	⑪ x8  D3*14mm	⑫ x4 
⑬ x2  D2.5*12mm	⑭ x24+2  D3*14mm	⑮ x1 	⑯ x4 
⑰ x2  D6*30mm	⑱ x1  M4		



**Note: Before installing the screws, please first distinguish the length of the screw rods.**

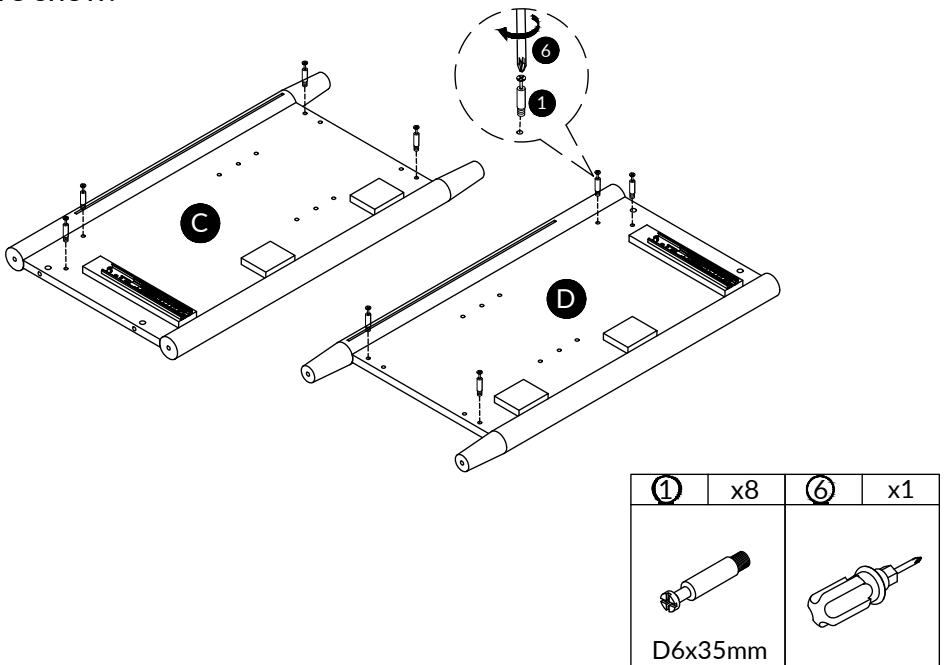
## Step 1

Insert panel F into the panel (E) as picture show.



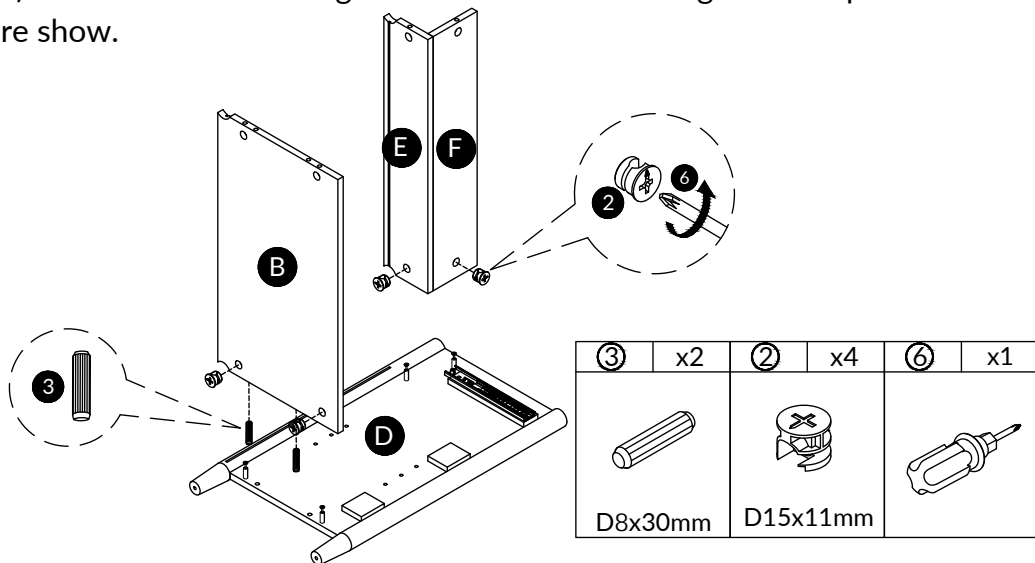
## Step 2

Insert 1 into the side panel(C/D) make sure all holes aligned as picture show.



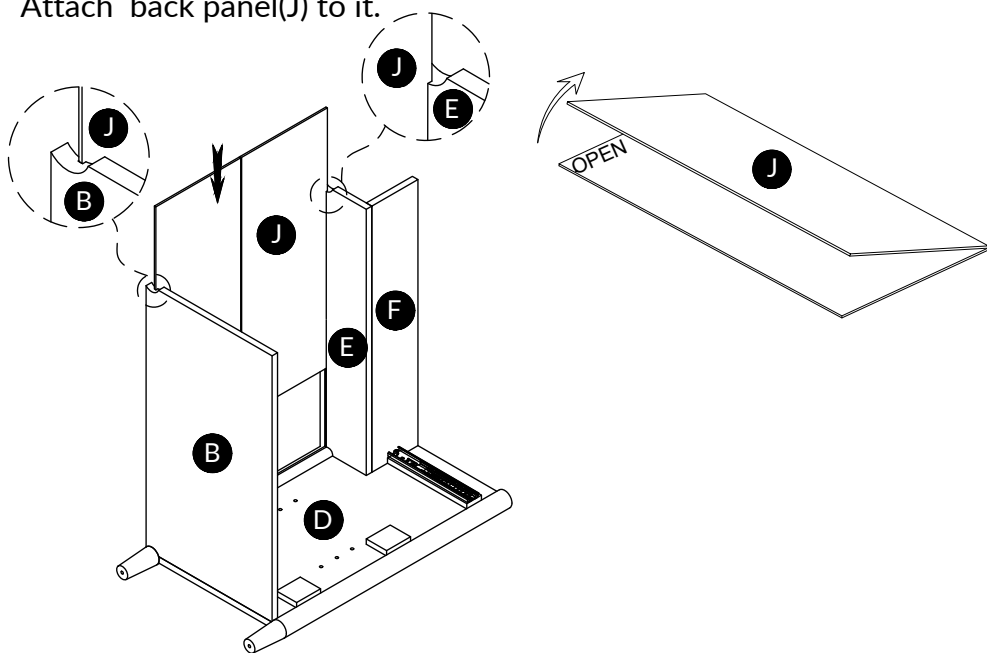
### Step 3

Insert side panel B E and F into the corresponding hole of panel (D) make sure all holes aligned and use 2 and 3 to tighten it as picture show.



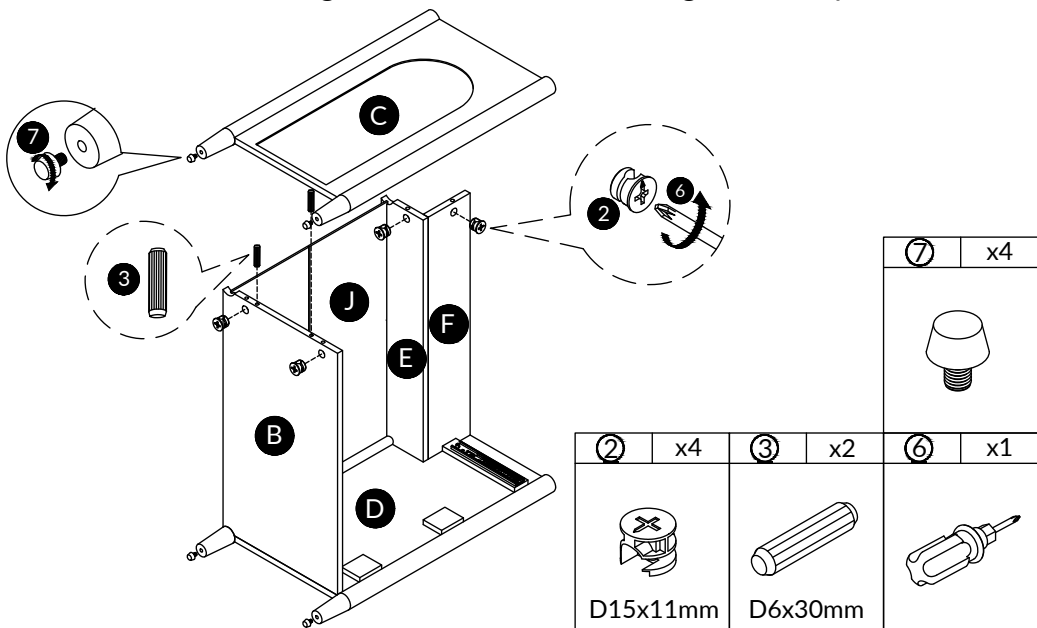
### Step 4

Attach back panel(J) to it.



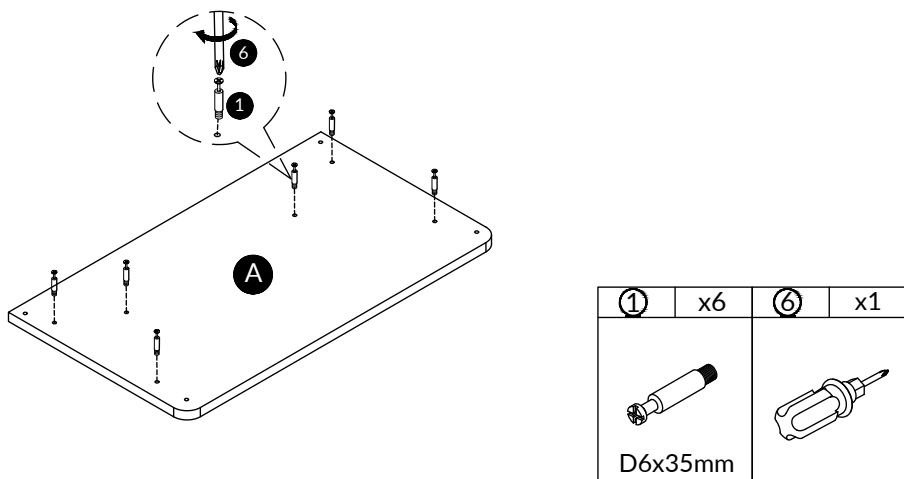
## Step 5

Insert side panel B E and F into the corresponding hole of panel (C) make sure all holes aligned and use 2 and 3 to tighten it as picture show.



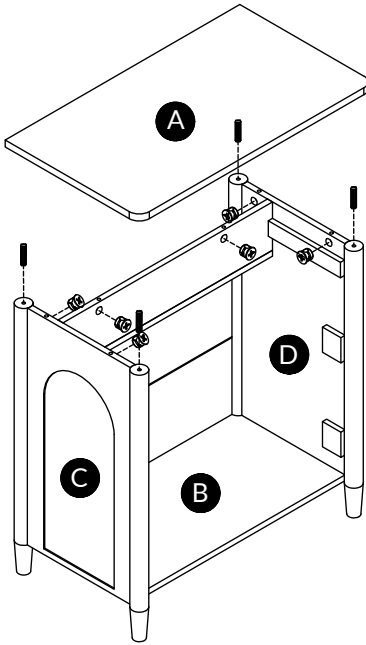
## Step 6


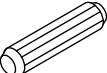
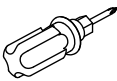
Insert 1 into the side panel (A) make sure all holes aligned as picture show.



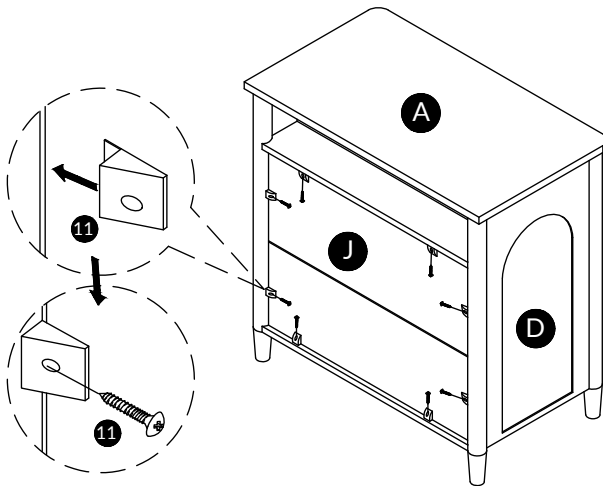
## Step 7


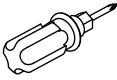
Insert top panel A into the corresponding hole of side panel (C/D) make sure all holes aligned and use 2 and 3 to tighten it as picture show.



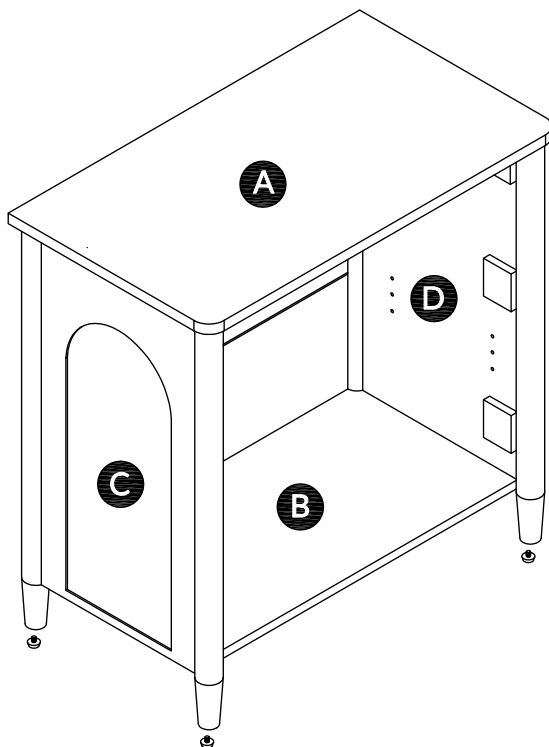
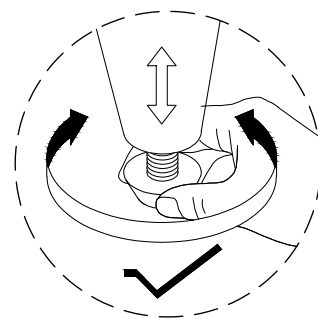
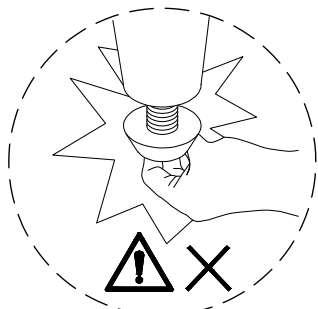
②	x6	③	x4	⑥	x1
					
D15x11mm		D8x30mm			

## Step 8



⑪	x8	⑥	x1
			
D3x14mm			

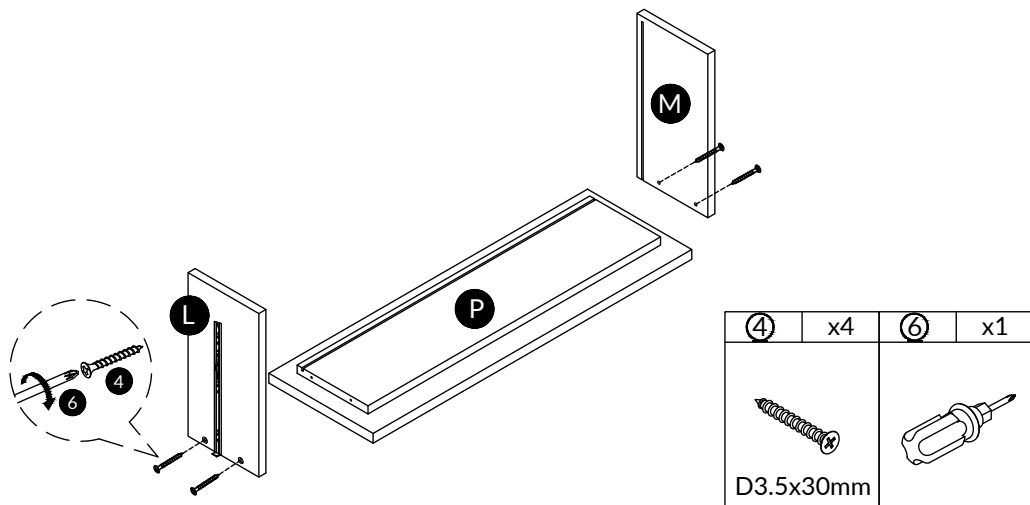
## Step 9



**Attention:**  
Before the next step, adjust the feet of  
the locker to keep it level.

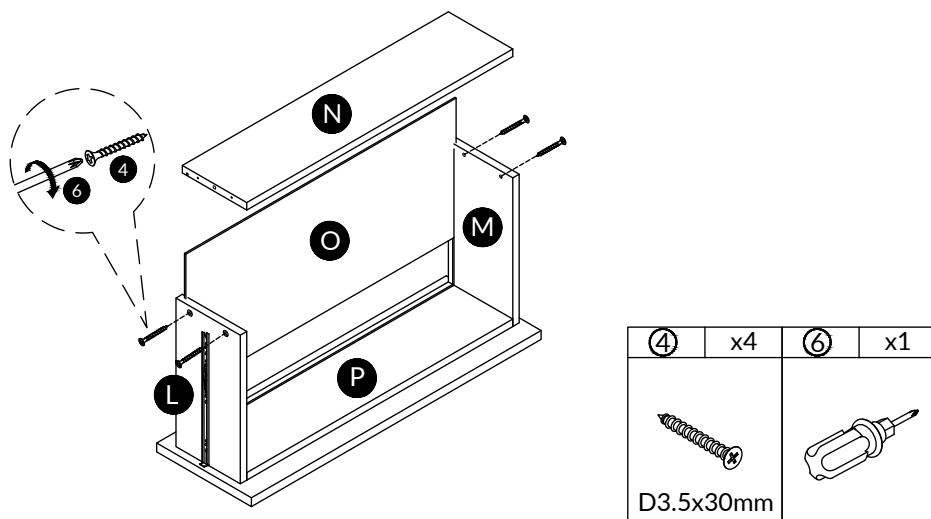
## Step 10

Insert side panel (L/M) into the corresponding hole of panel (P) make sure all holes aligned and use screw 4 to tighten it as picture show.



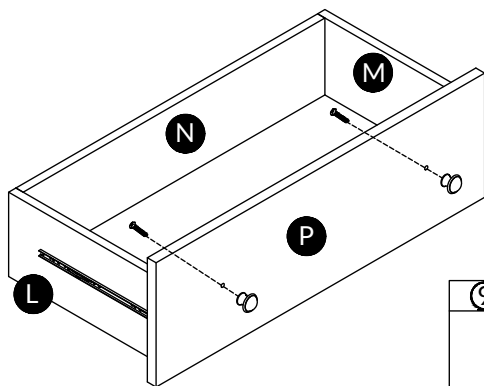
## Step 11



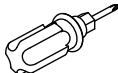
Insert side panel (N) into the corresponding hole of panel (L/M) make sure all holes aligned and use screw 4 to tighten it as picture show.



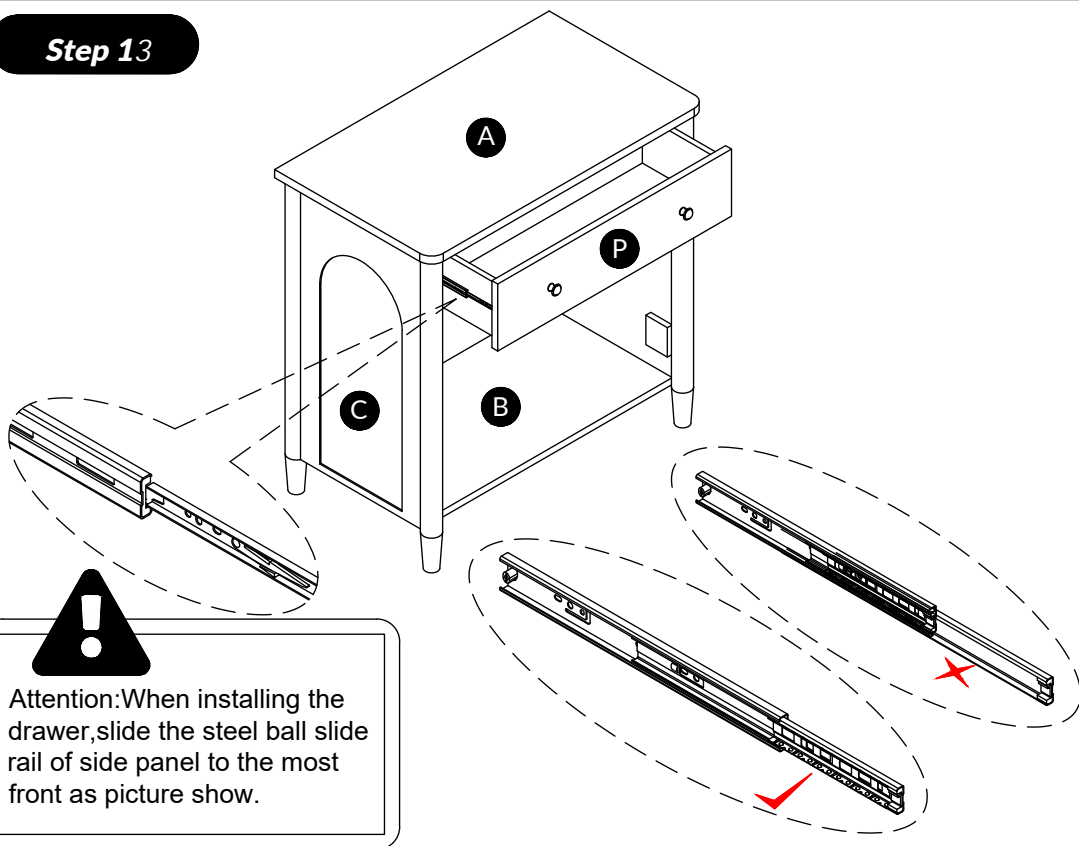
## Step 12

Use (9/10) into the corresponding hole of panel (P) make sure all holes aligned as picture show.



(9)	x2	(10)	x2	(6)	x1
					
		M4x35mm			

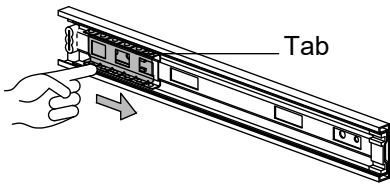
## Step 13



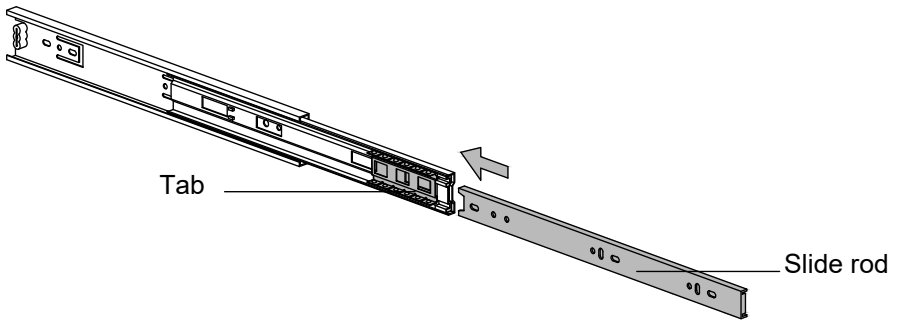
**Attention:** When installing the drawer, slide the steel ball slide rail of side panel to the most front as picture show.

## Slide Rail Installation Method

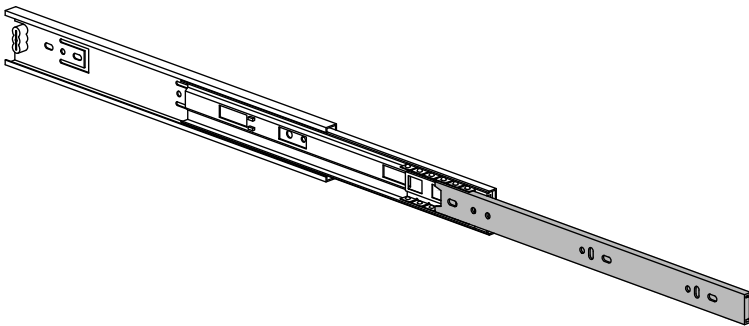
1. Slide out the tab.



2. Position the slide rod against the tab.

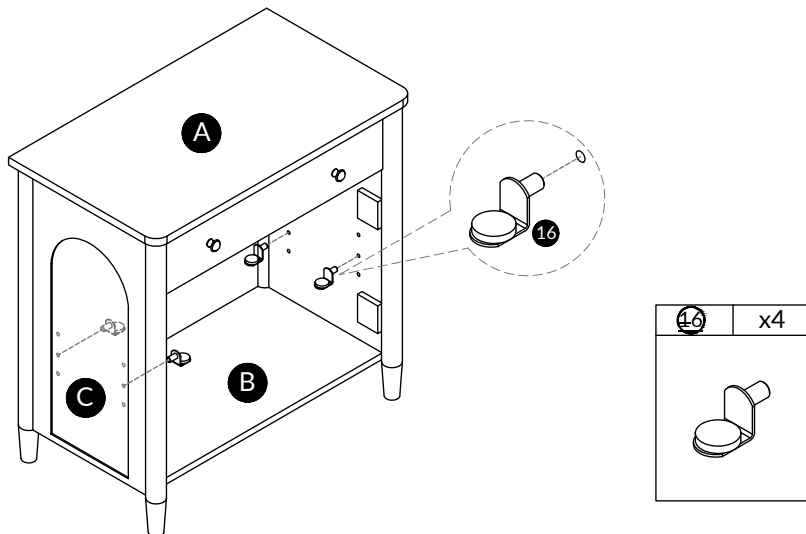


3. Push the drawer in.



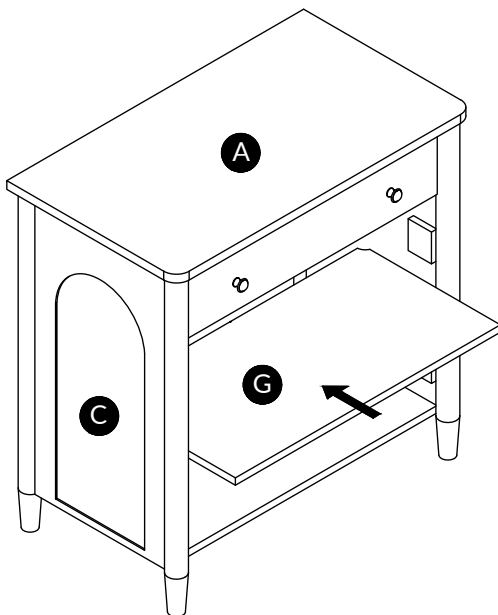
### Step 14

Use (16) into the corresponding hole of panel (C/D) make sure all holes aligned as picture show.



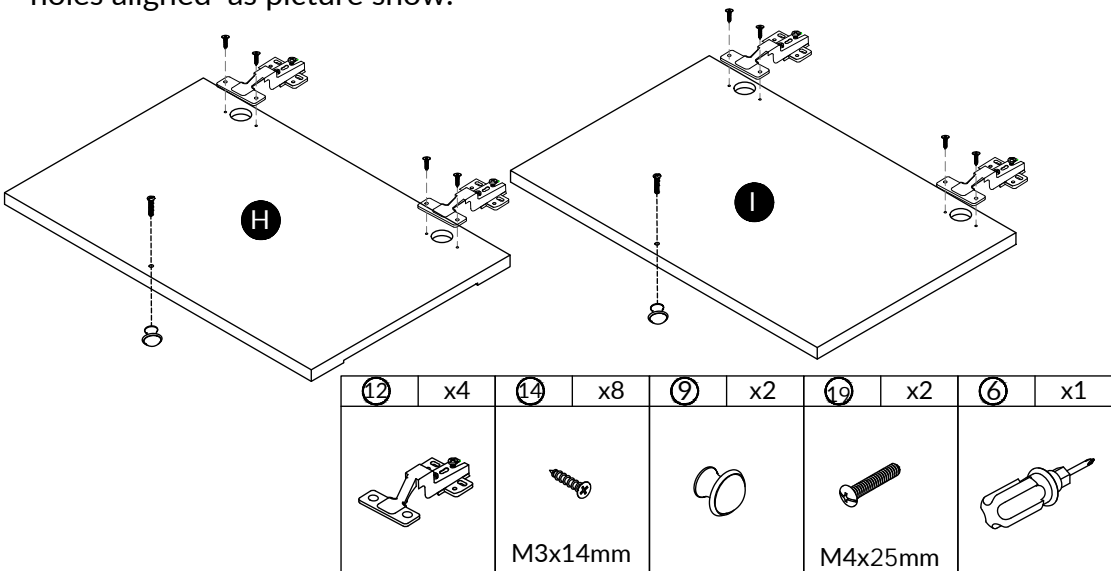
### Step 15

Insert panel (G) into the corresponding hole of panel (C/D) as picture show.

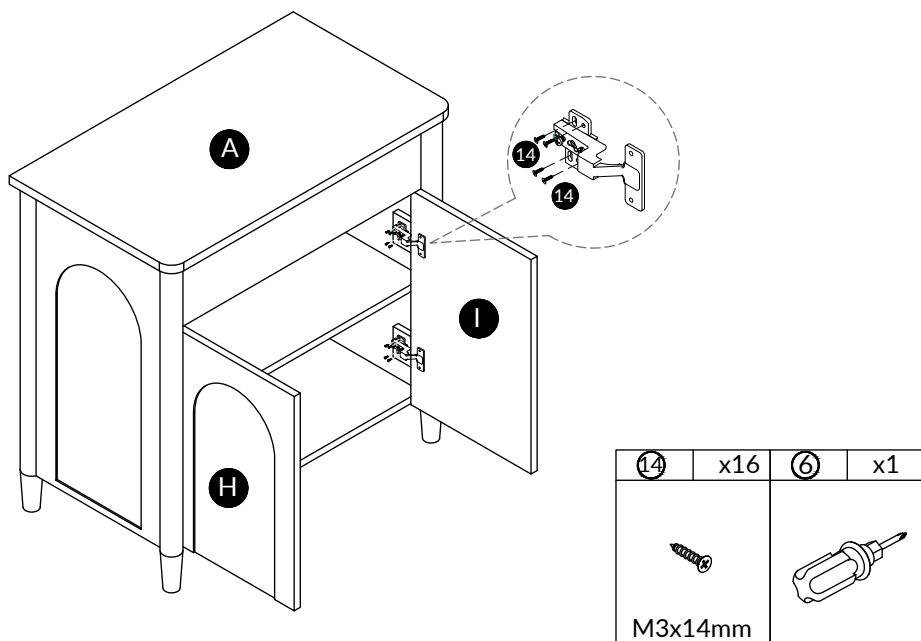


## Step 16

Use (16) into the corresponding hole of panel (H/I) make sure all holes aligned as picture show.

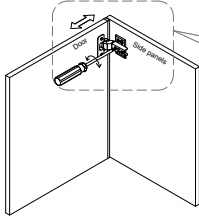


## Step 17

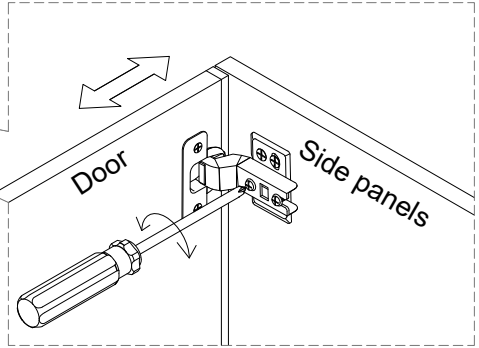


# Door Hinge Adjustment Instructions

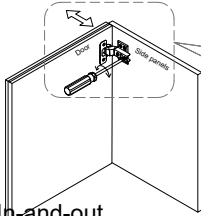
Concealed hinges are three-way adjustable:



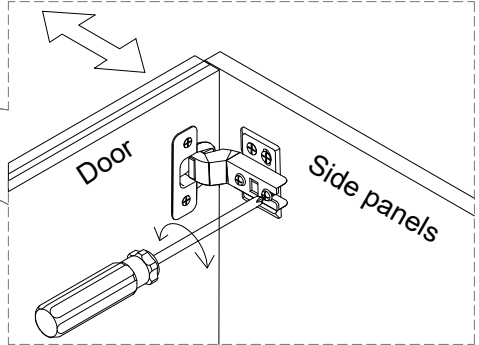
Horizontal  
by screw adjustment!



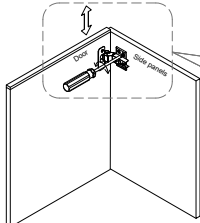
Concealed hinges are three-way adjustable:



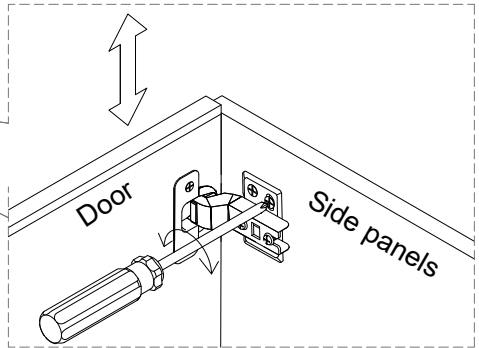
In-and-out  
by loosening the hinge arm  
mounting screw or via cam  
adjustment!



Concealed hinges are three-way adjustable:

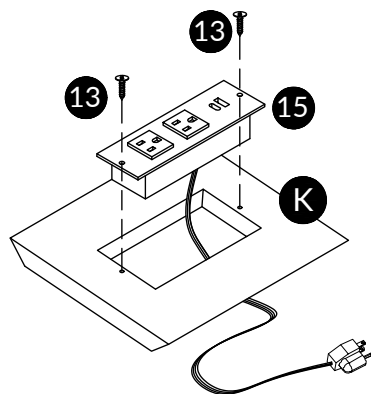
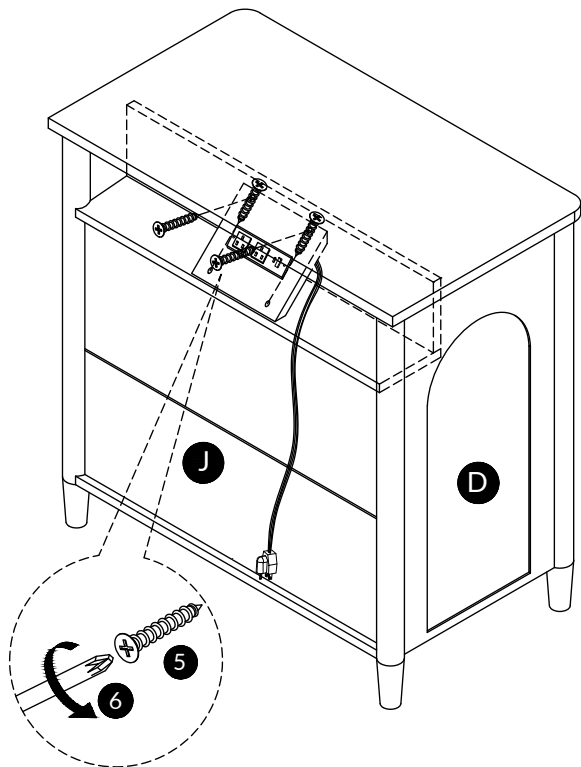






Vertical via slots in  
the mounting plate  
or via cam adjustment!



## Step 18

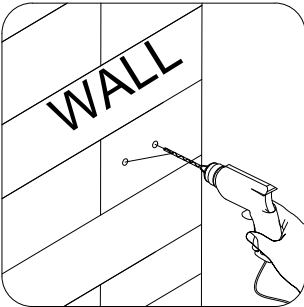
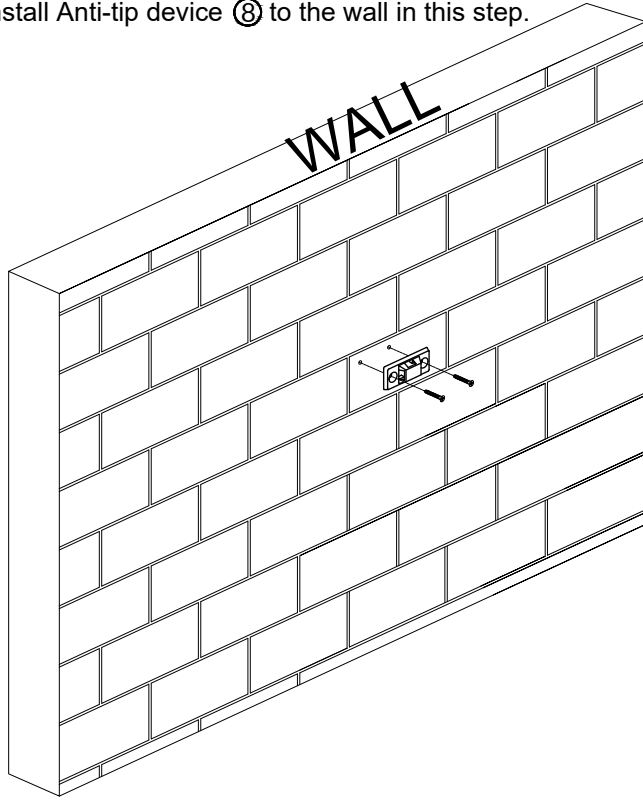
Insert backing plate K into the panel (E/F), use screw 5 to tighten it as picture show.



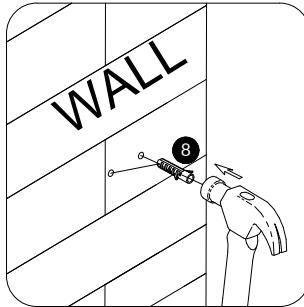
15	x1	5	x4	13	x2	6	x1
							
		D4x25mm		D2.5x12mm			

# Step 19

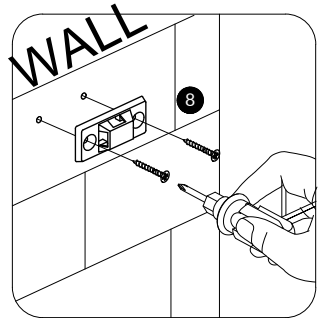
Install Anti-tip device ⑧ to the wall in this step.



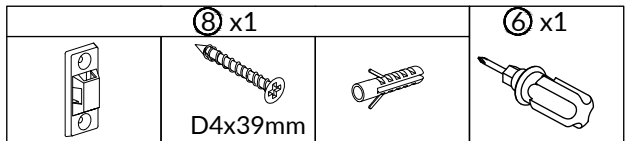
1. Drill a hole in the wall with an electric drill.



2. Tap the plastic wall anchor into the hole with a hammer.



3. Secure the Anti-tip device to the wall with screws



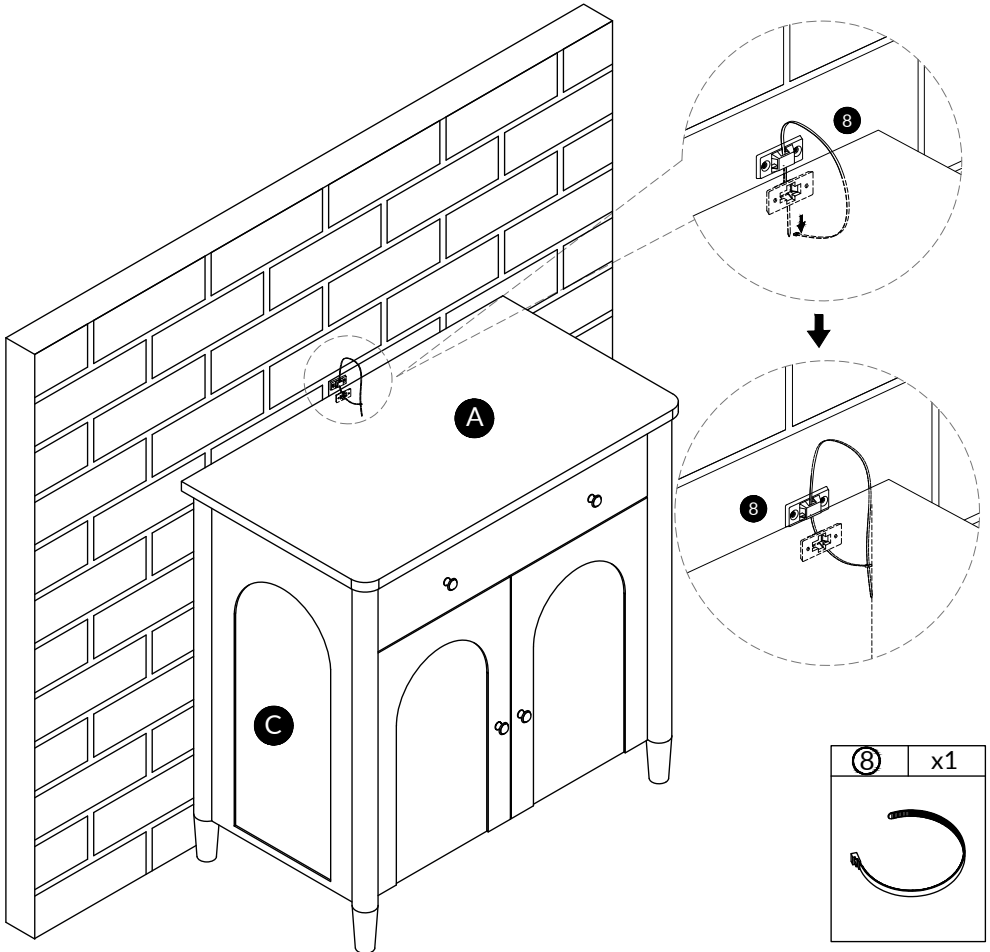
## Step 20

### WARNING

**Children have died from furniture tipover.**

**To reduce the risk of furniture tipover:**

- ALWAYS install Anti-tip device provided.
- For use with televisions weighing 35 lb or less. Use with heavier televisions may result in instability causing tip-over resulting in death or serious injury.
- NEVER allow children to stand, climb or hang on drawers, doors, or shelves.
- NEVER open more than one drawer at a time.
- Place heaviest items in the lowest drawers.



# WARRANTY

- We strive to offer quality products, and we also try our best to satisfy every customer who orders from us with products or services as needed.
- Replacement parts can be purchased from our company if available.
- For returns, please check the return policy with the retailer or marketplace where you purchased the item.

## ***Are you having difficulty***

With assembly? Missing parts?  
Please send an email with your order No. to  
[hello@hulalahome.com](mailto:hello@hulalahome.com)

We appreciate your purchase.  
Brighten your life with our furniture!