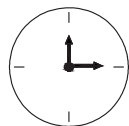
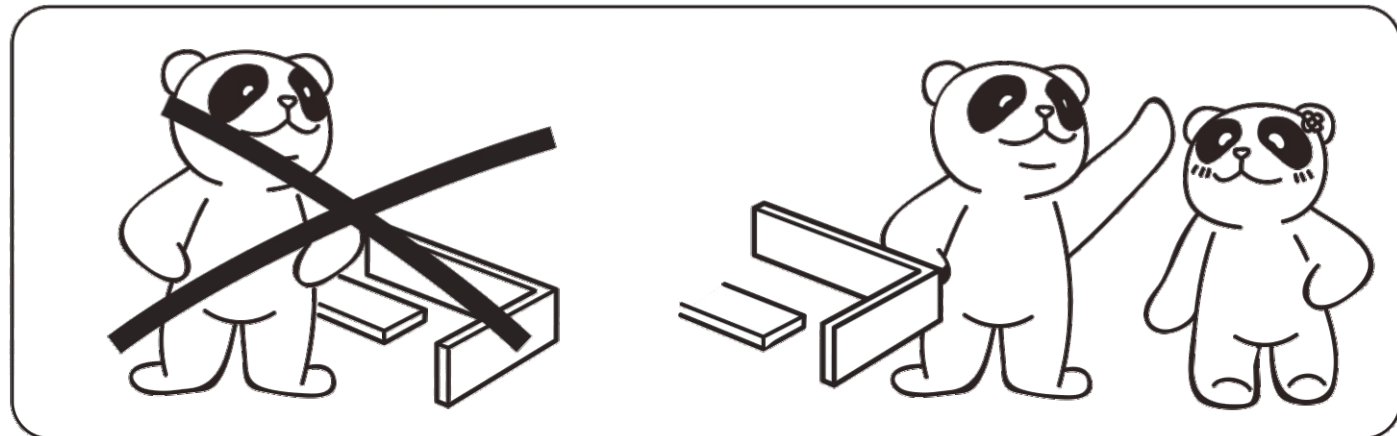
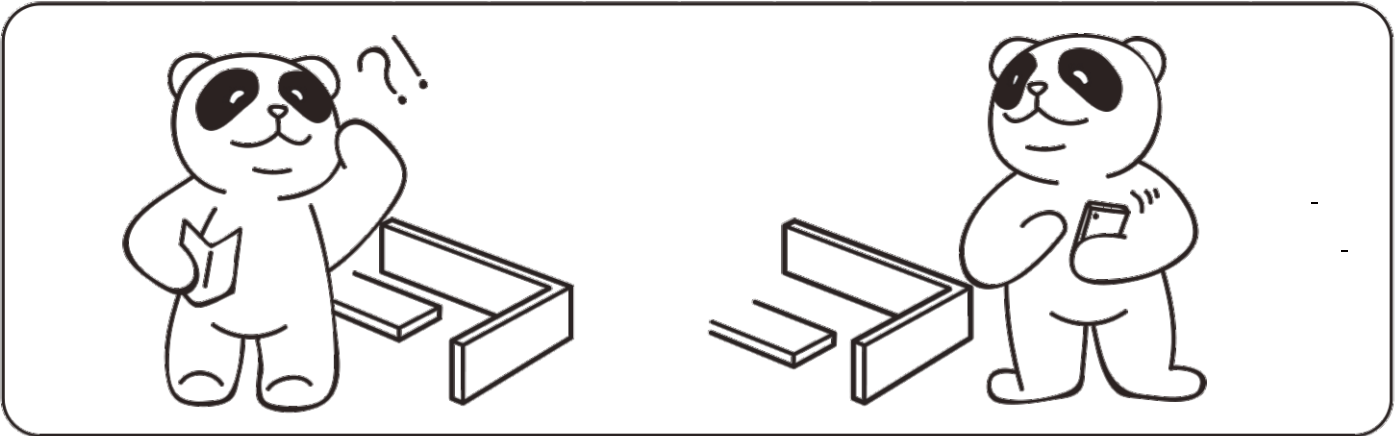
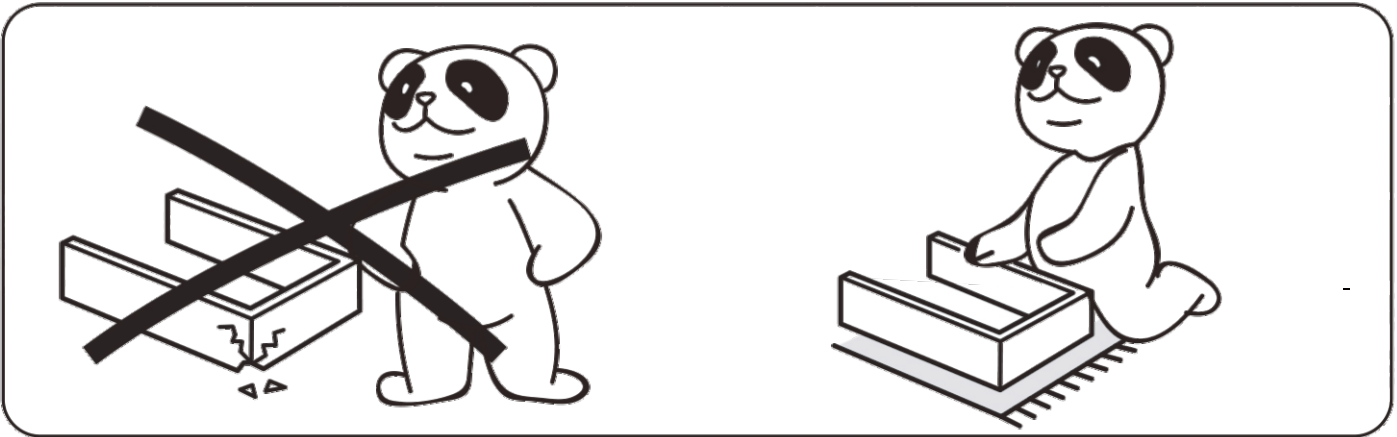
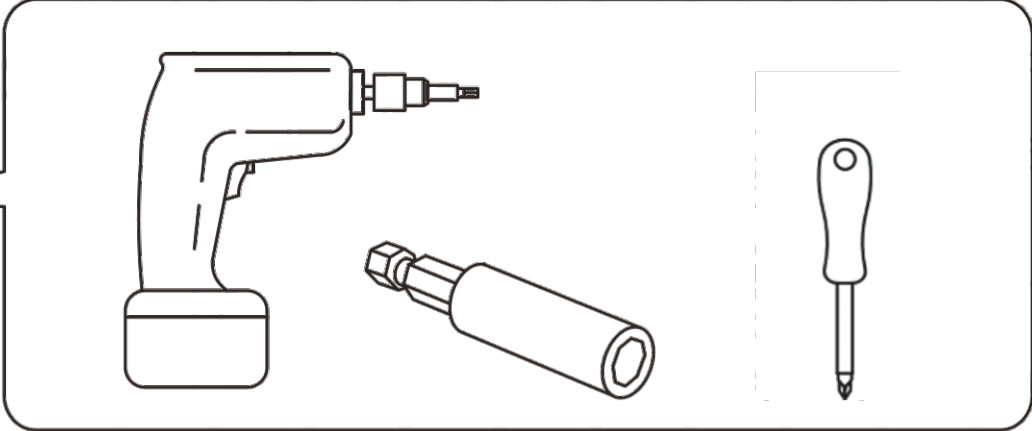


2 PERS.



60 MIN



Installation Parts



A

x28(+2)
Ø6x35mm



B

x28(+2)
Ø15x10mm



C

x28(+2)
Ø6x30mm



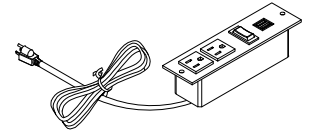
D

x26(+2)
Ø4x35mm



E

x48(+3)
Ø3x12mm



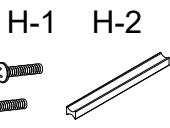
F

x1



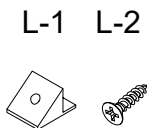
G

x2



H

x3



I

x8



J

x6



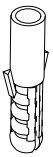
K

x4



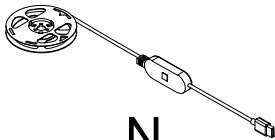
L

x2



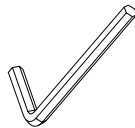
M

x2



N

x1



P

x1



Q

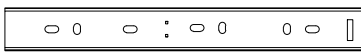
x6
Ø6x30mm



R

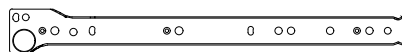
x8
Ø6x25mm

Drawer



O

x2
290mm



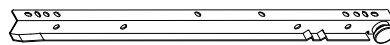
CL

x3
350mm



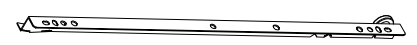
CR

x3
350mm



DL

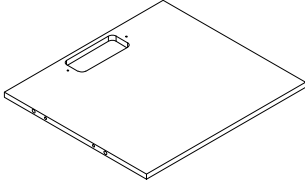
x3
350mm



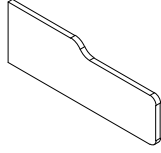
DR

x3
350mm

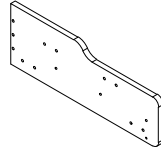
Mounting frame



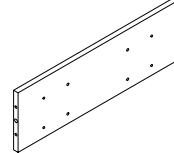
1
x1



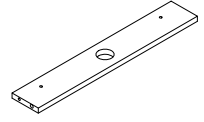
2
x1



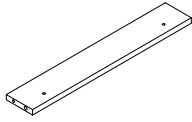
3
x1



4
x1



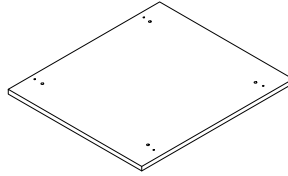
5
x1



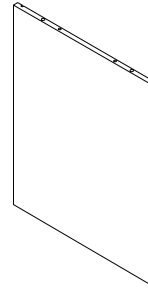
6
x1



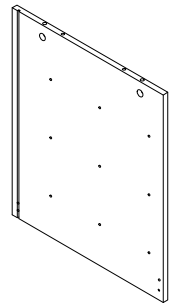
7
x4



8
x1



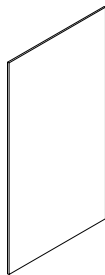
9
x1



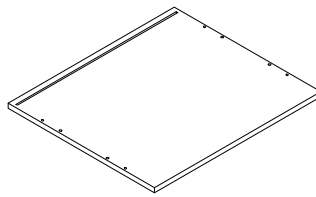
10
x1



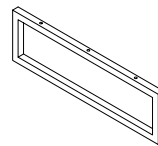
11
x1



12
x2

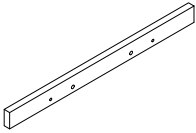


13
x1



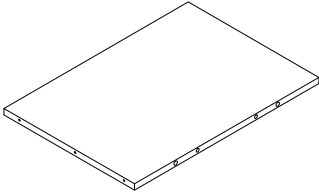
14
x2

Drawer



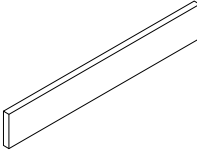
15

x1



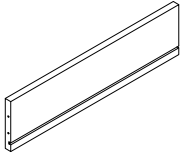
16

x1



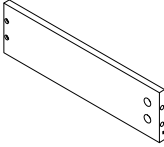
17

x1



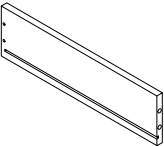
18

x3



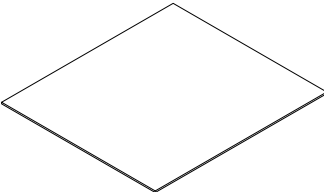
19

x3



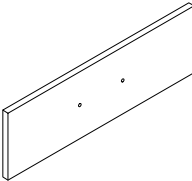
20

x3



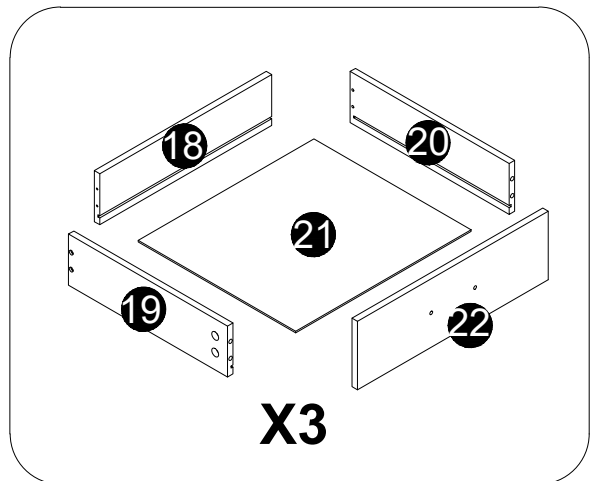
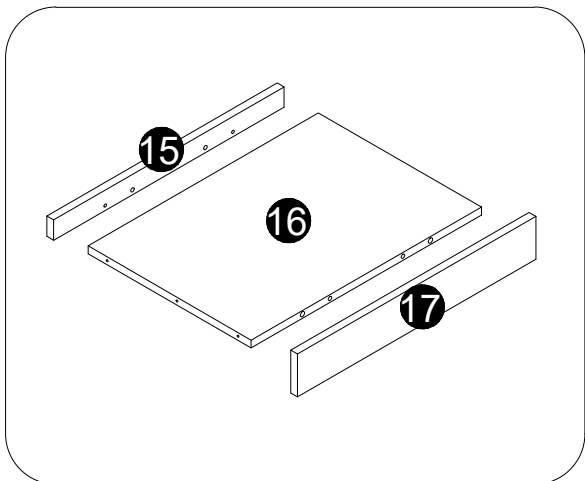
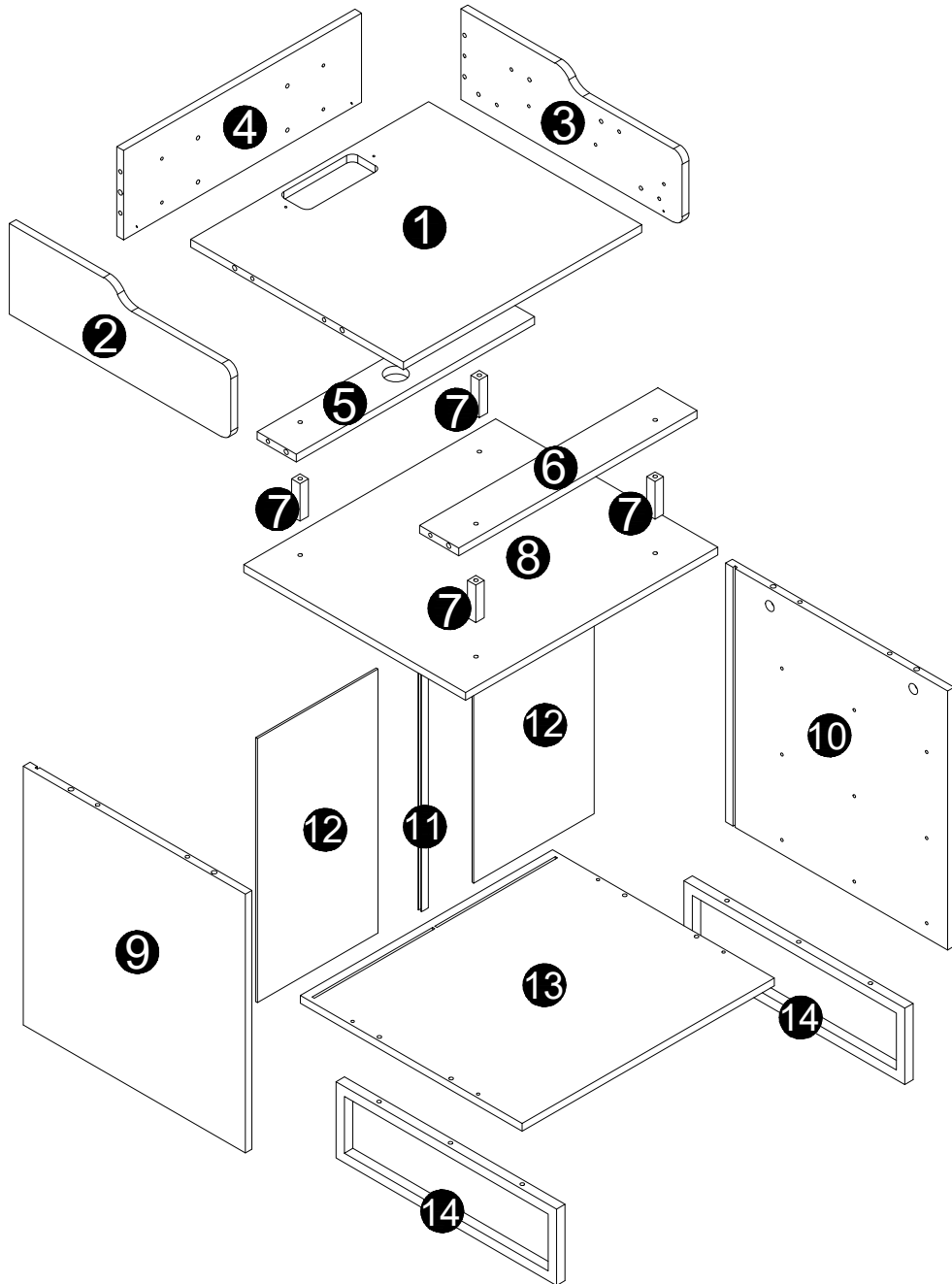
21

x3



22

x3



Mounting frame



A
x20



B
x20



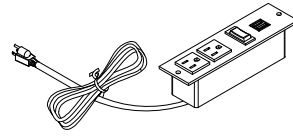
C
x30



D
x14



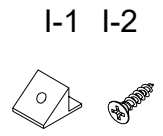
E
x24



F
x1



G
x2



I
x8



J
x6



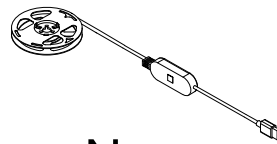
K
x4



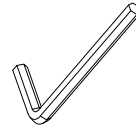
L
x2



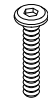
M
x2



N
x1



P
x1



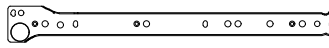
Q
x6



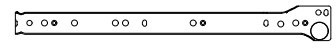
R
x8



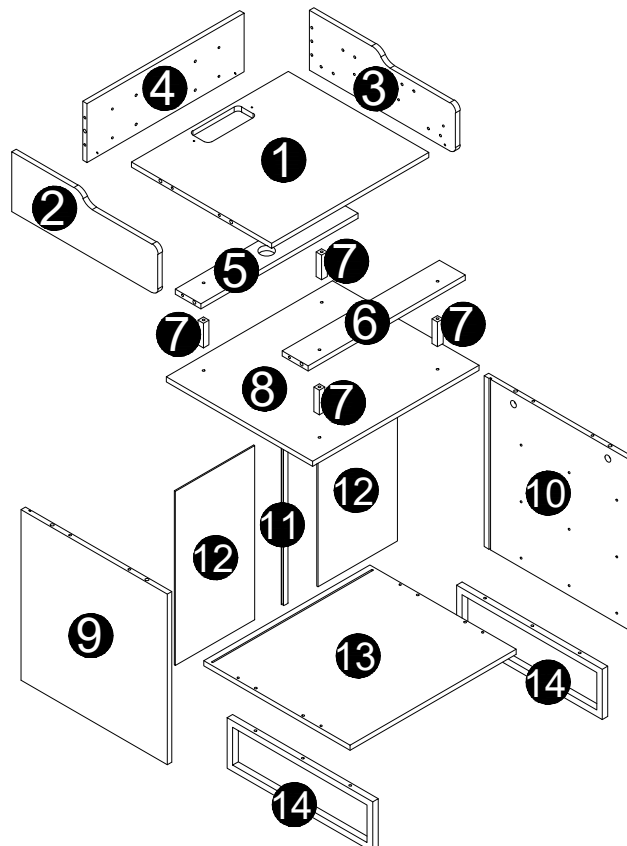
O-1
x2



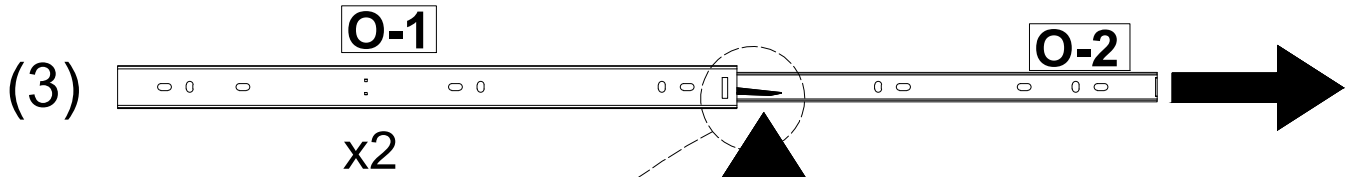
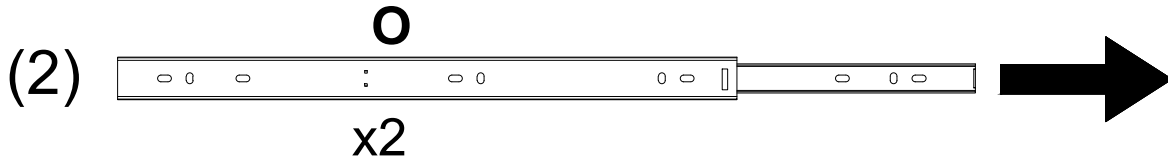
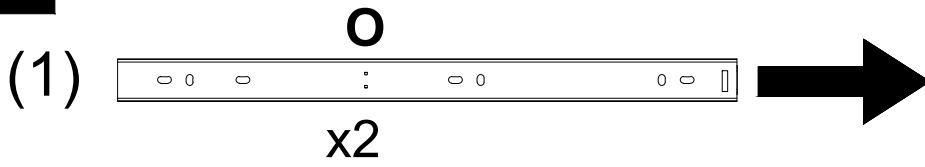
CL
x3



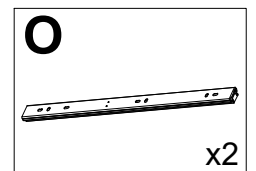
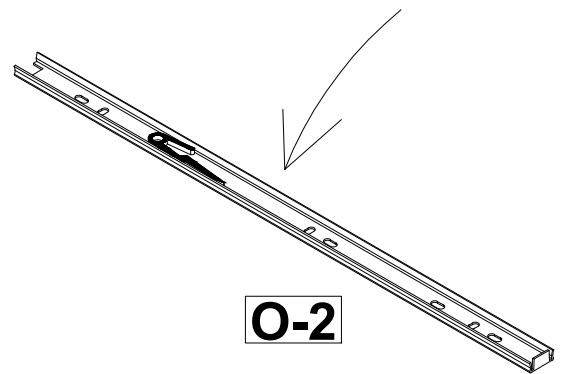
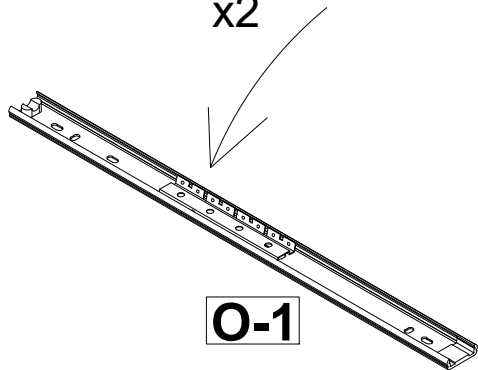
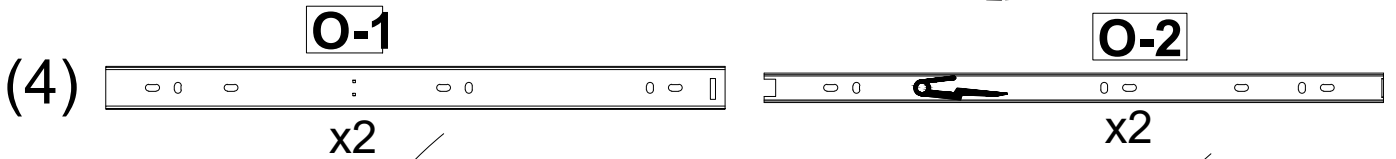
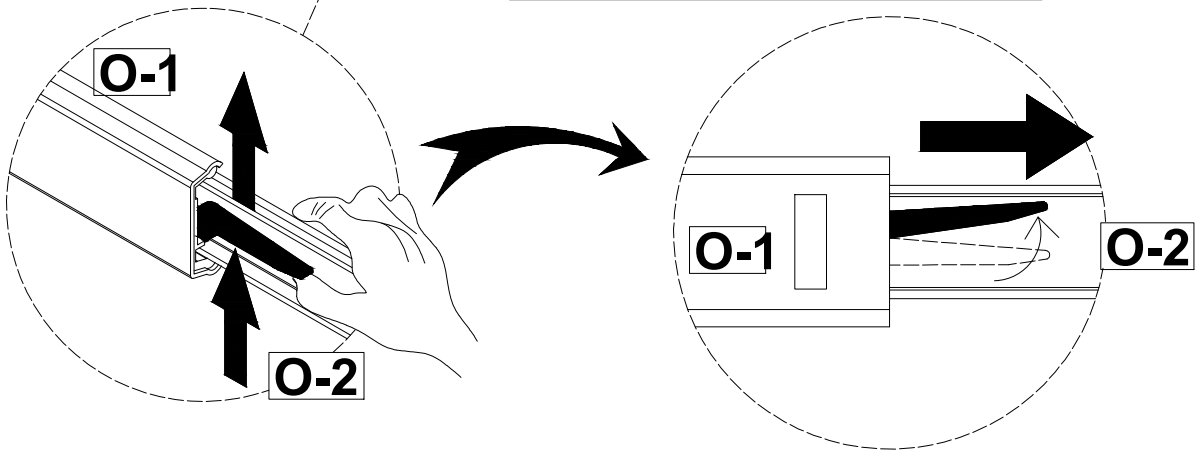
CR
x3



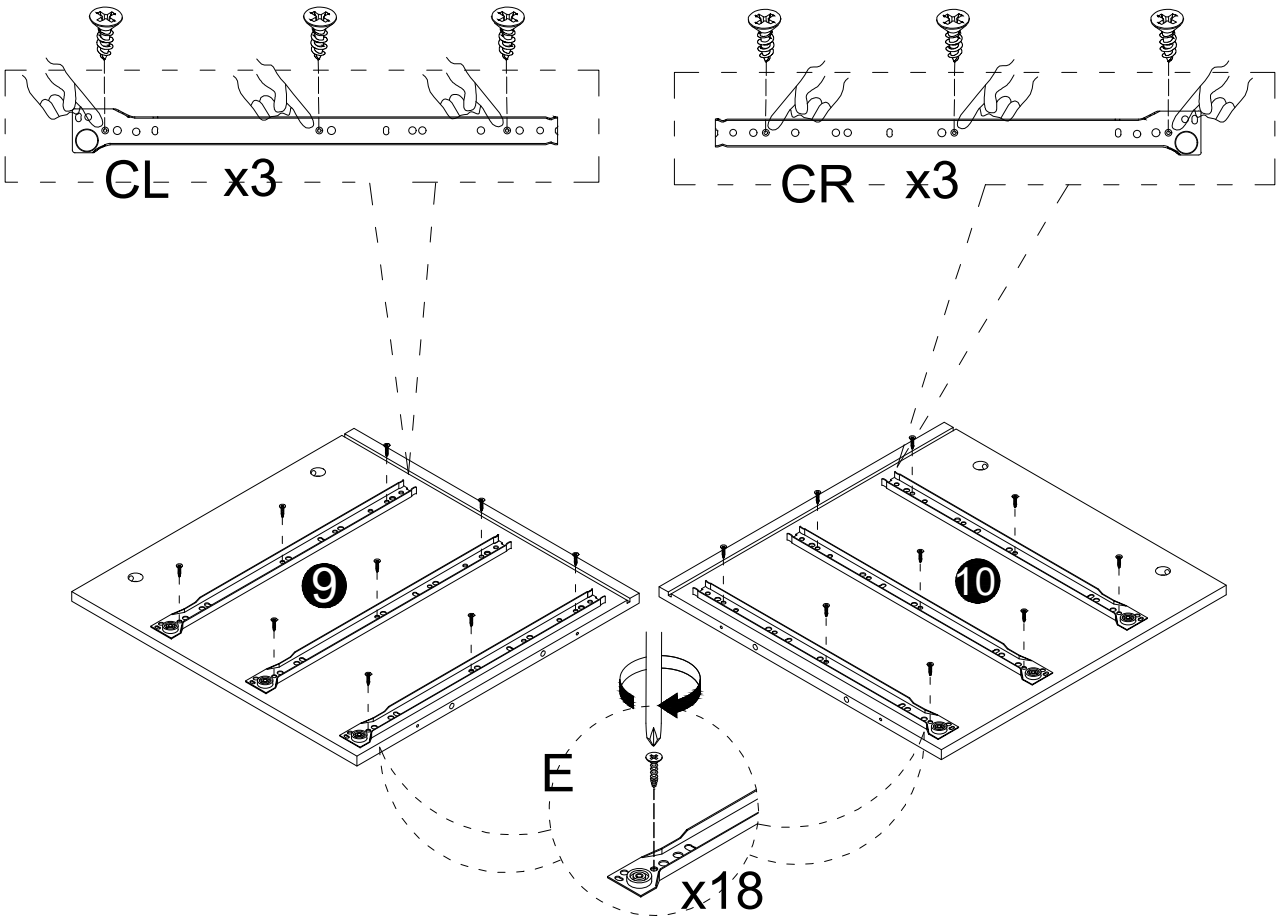
1



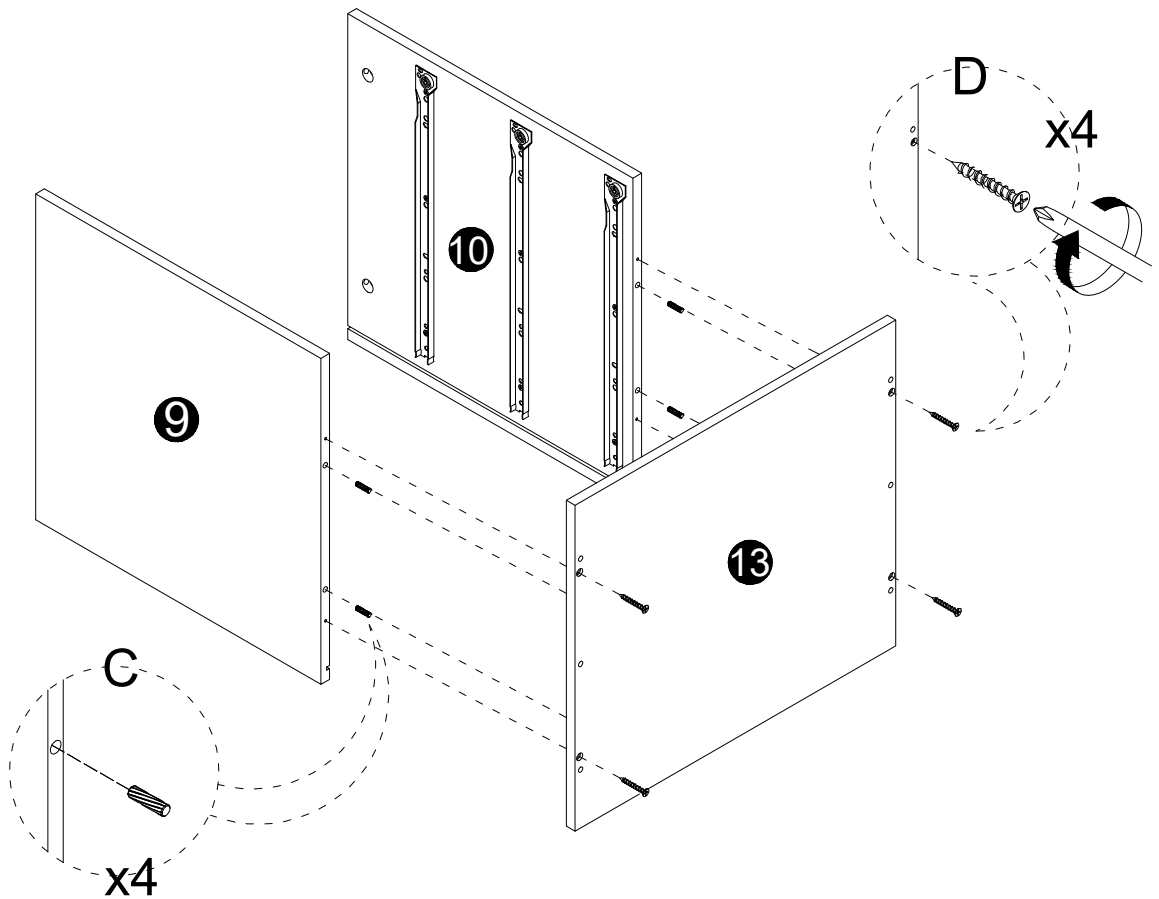
Move the black paddle upward and pull out (F-2) to the right.



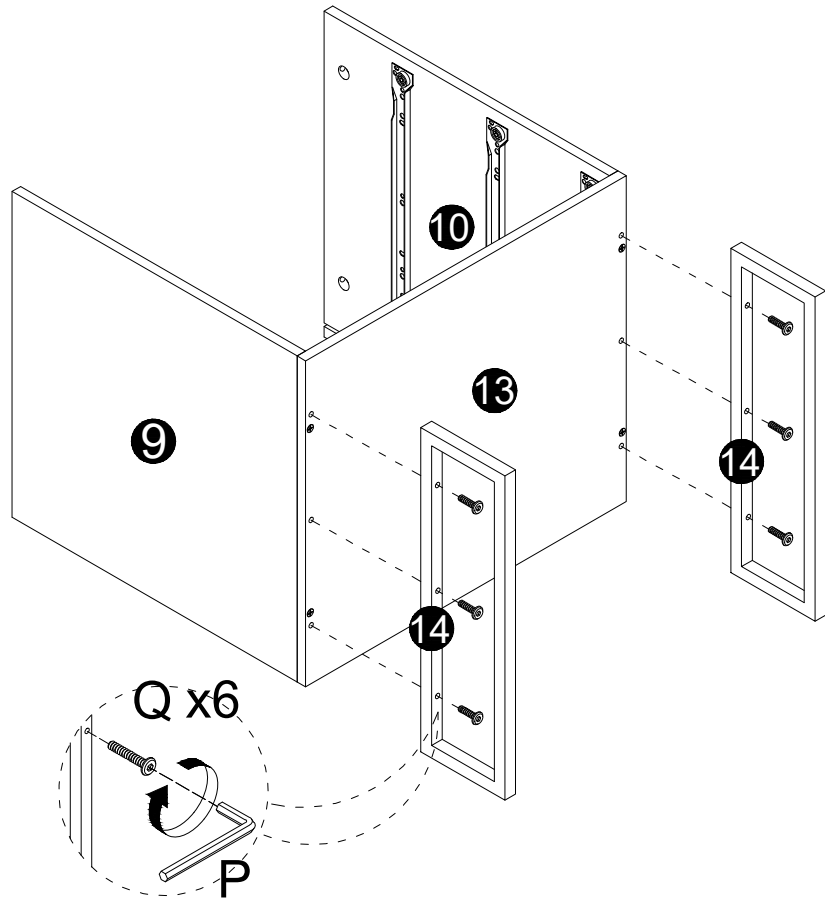
2



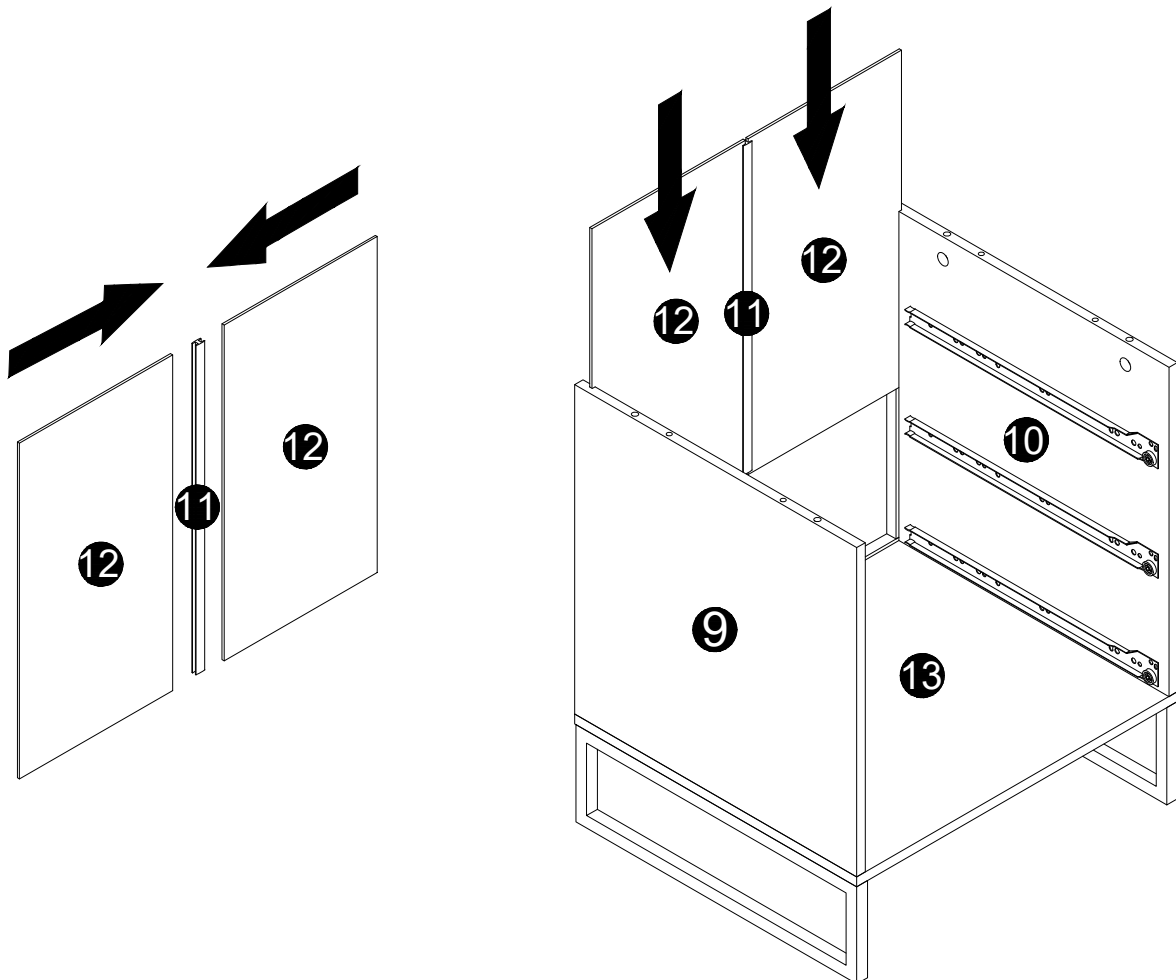
3



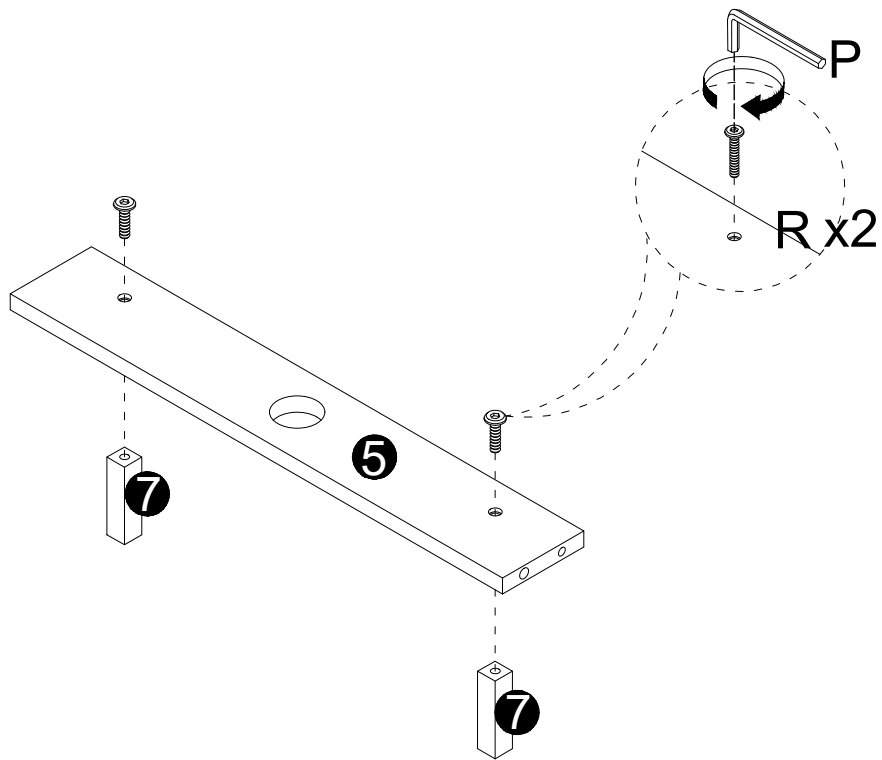
4



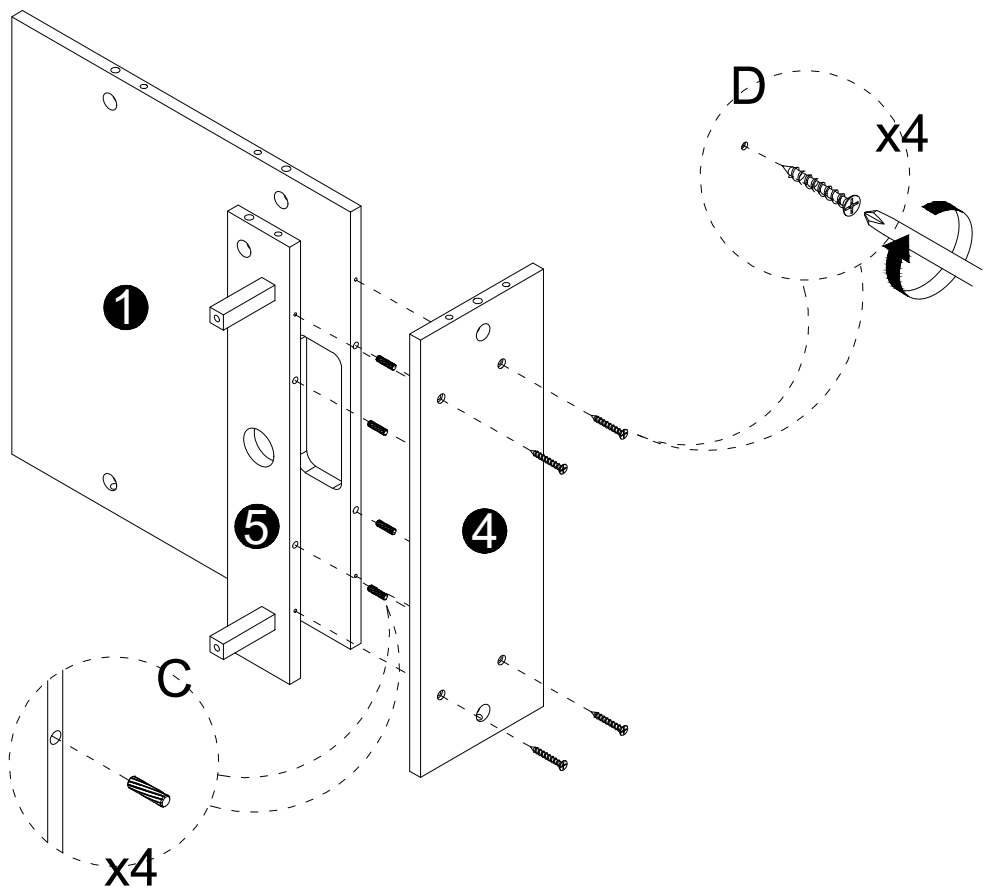
5



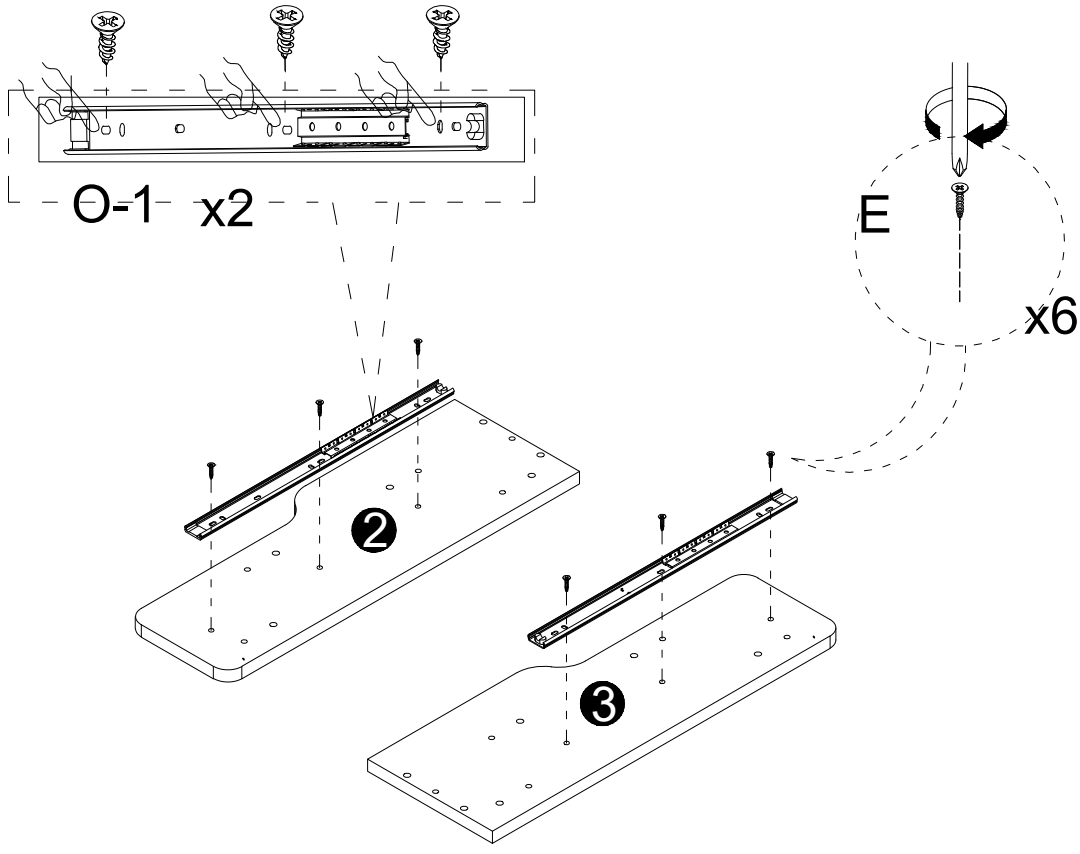
6



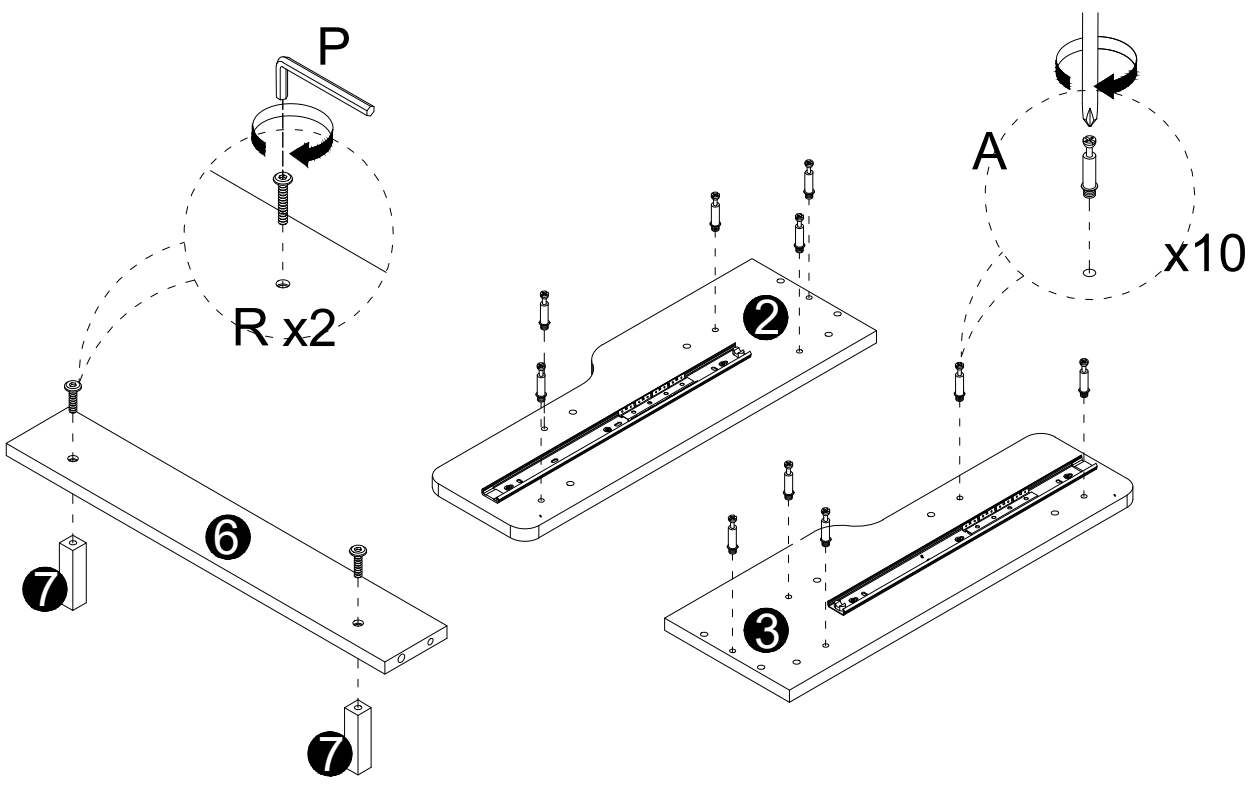
7



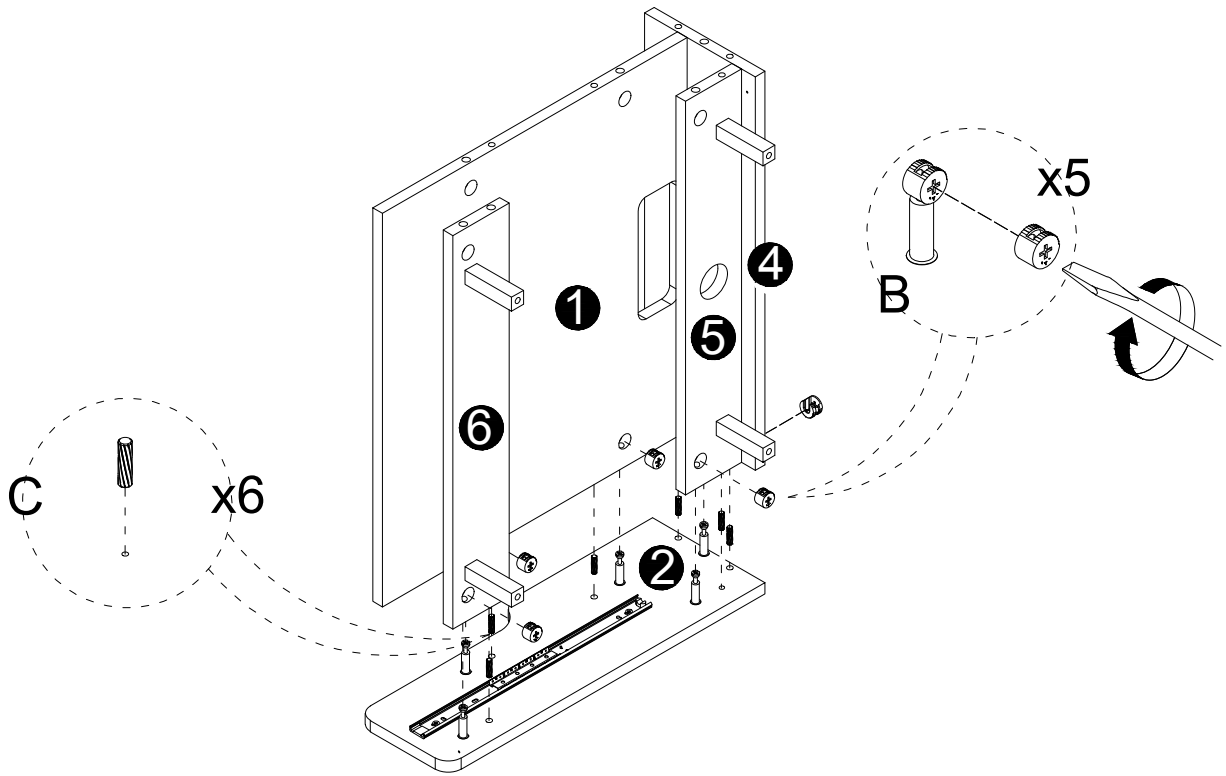
8



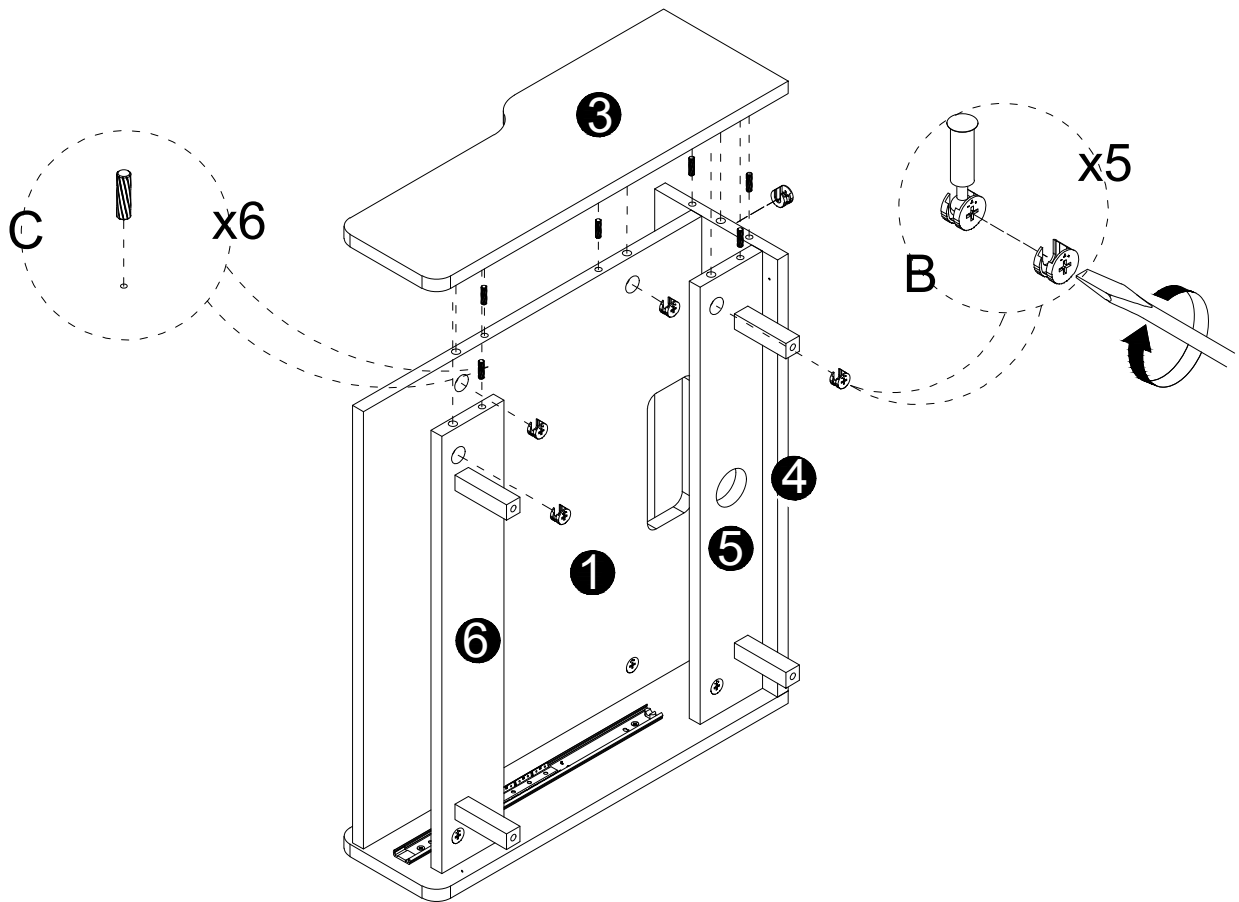
9



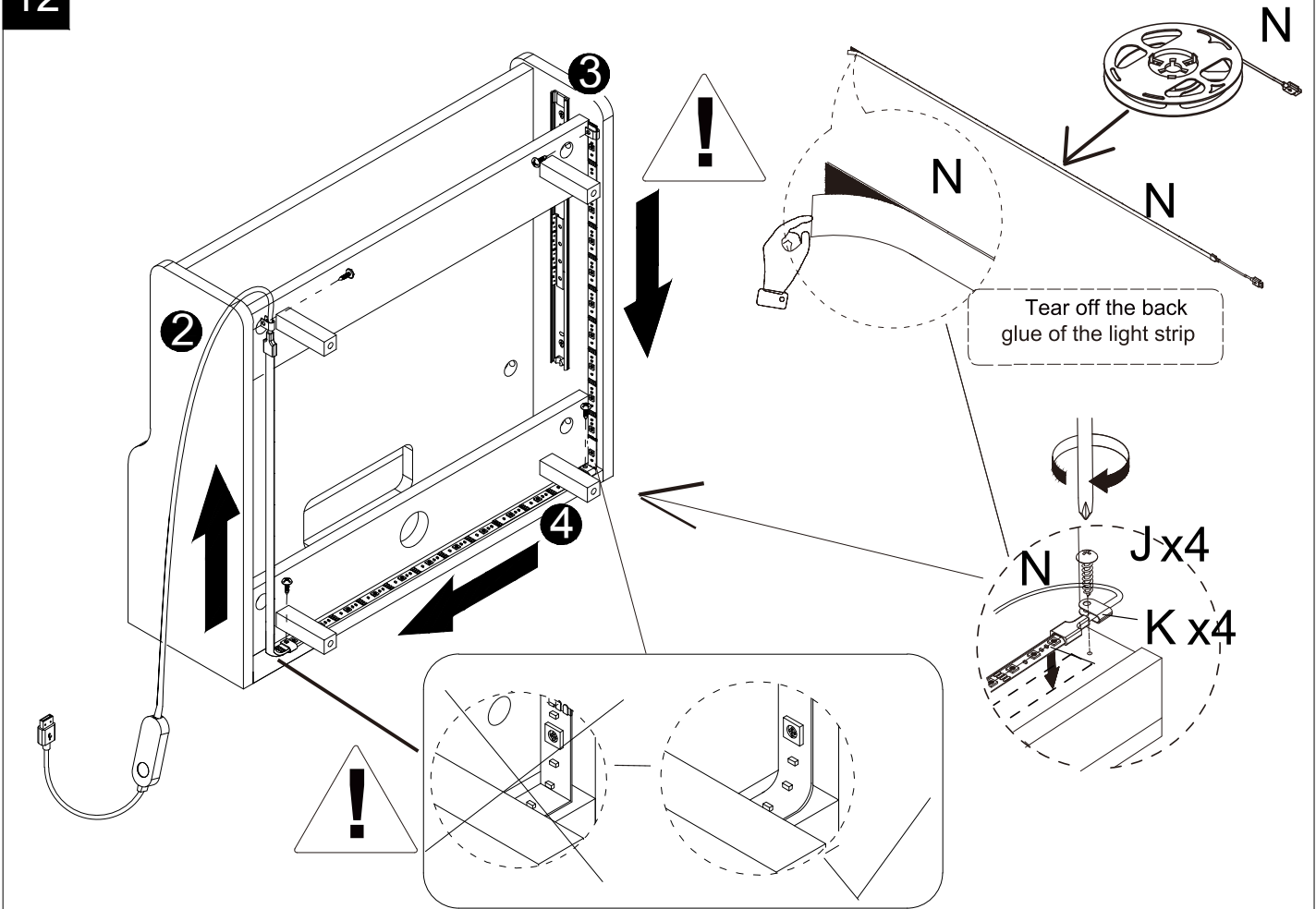
10



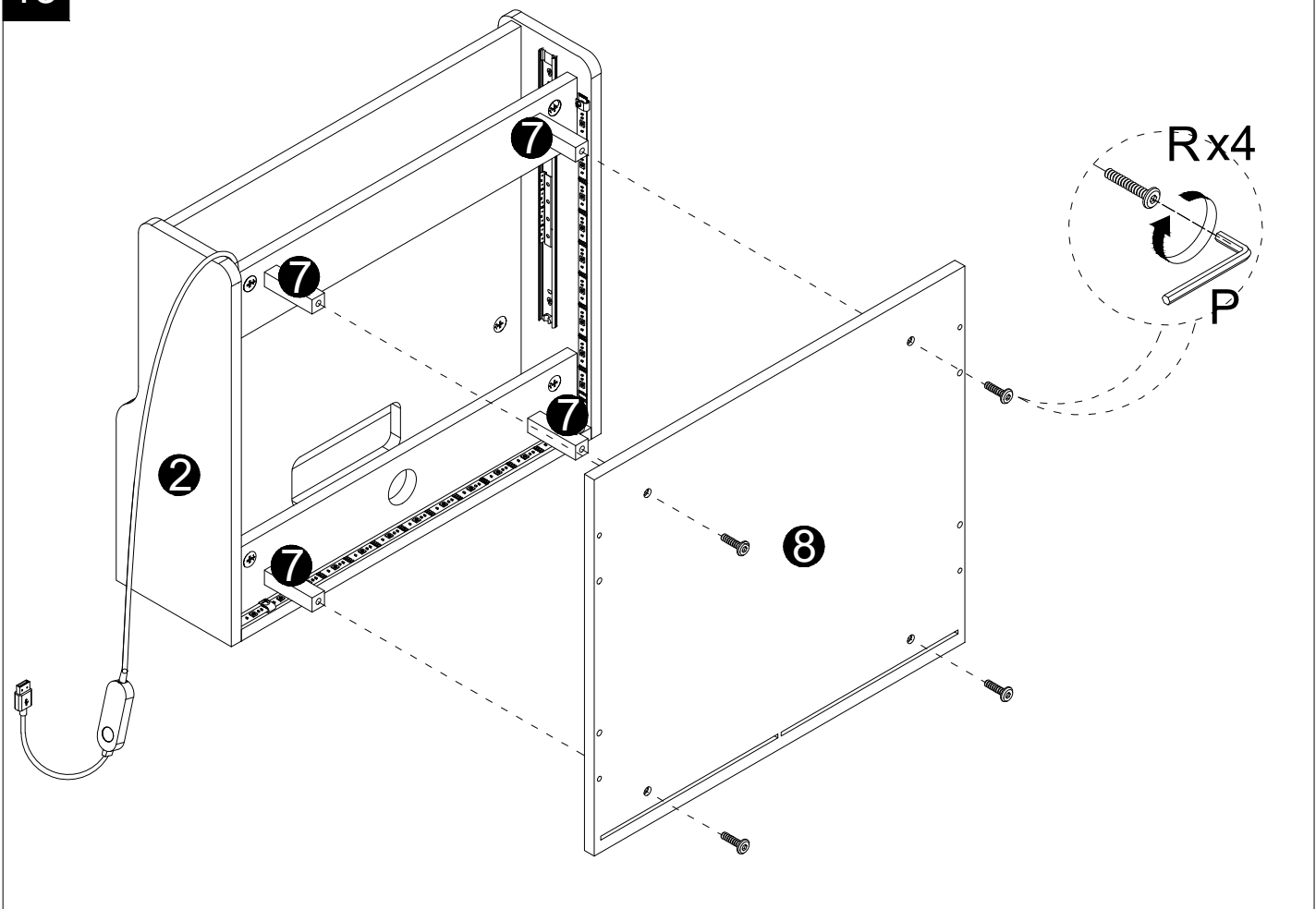
11



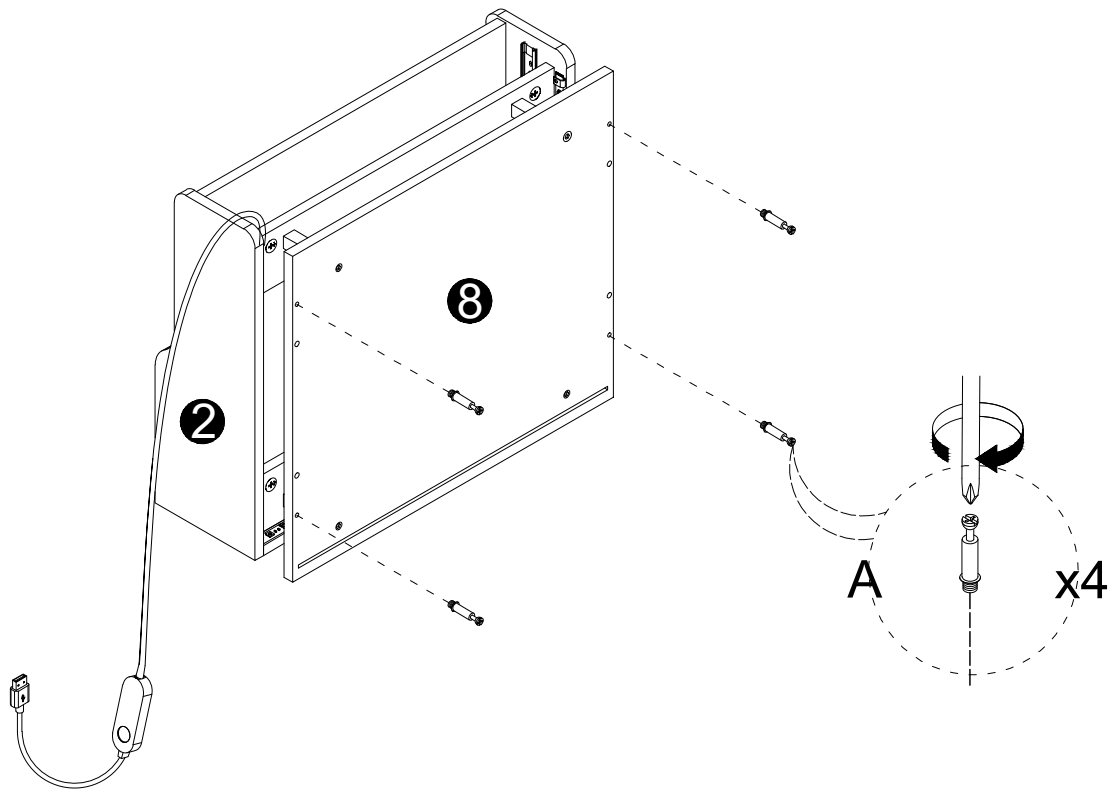
12



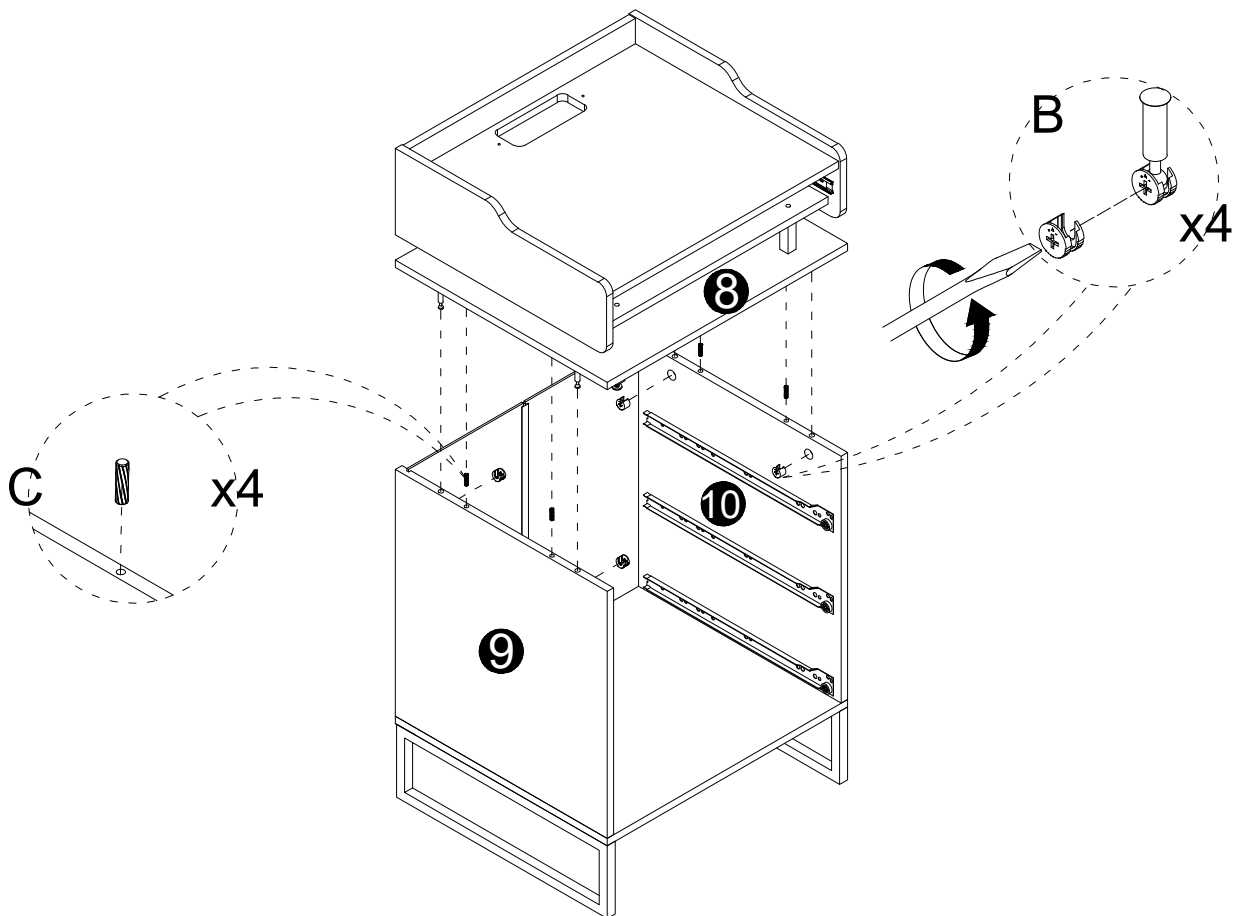
13

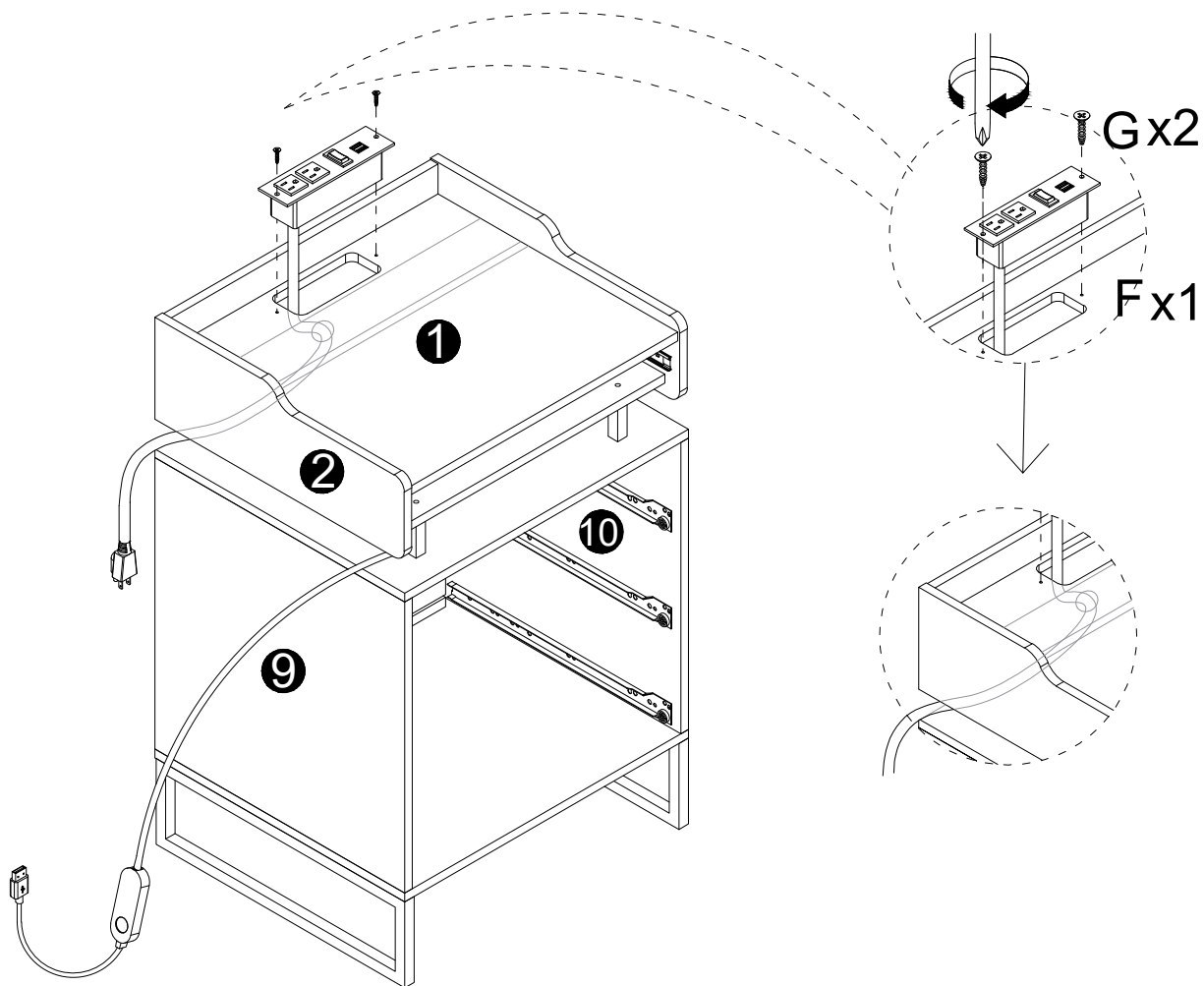


14

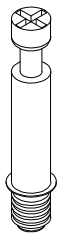


15





Drawer



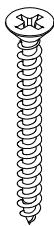
A
x14



B
x14



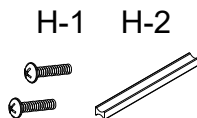
C
x4



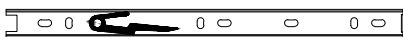
D
x14



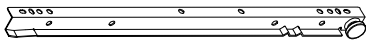
E
x24



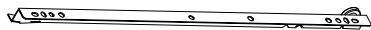
H
x3



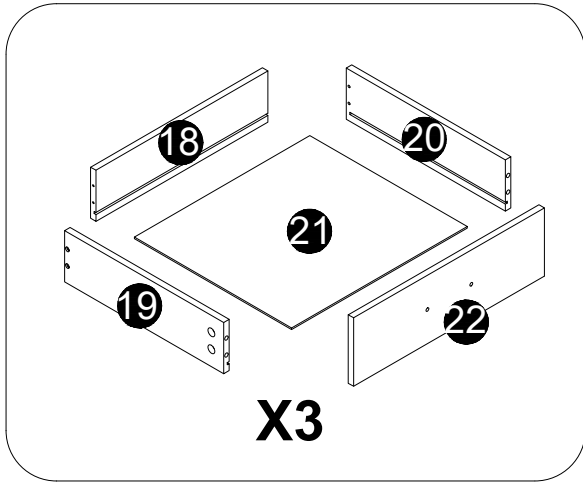
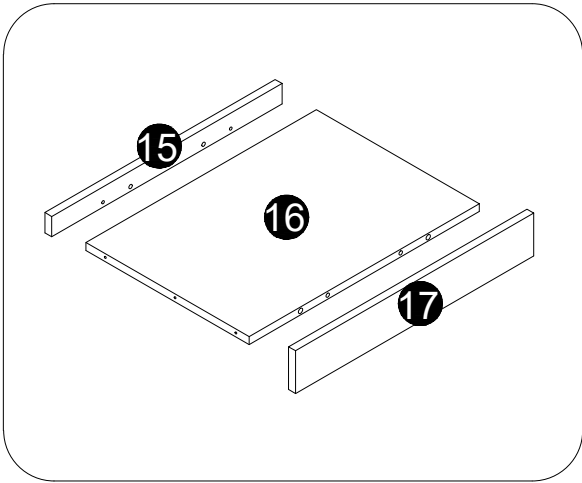
O-2
x2



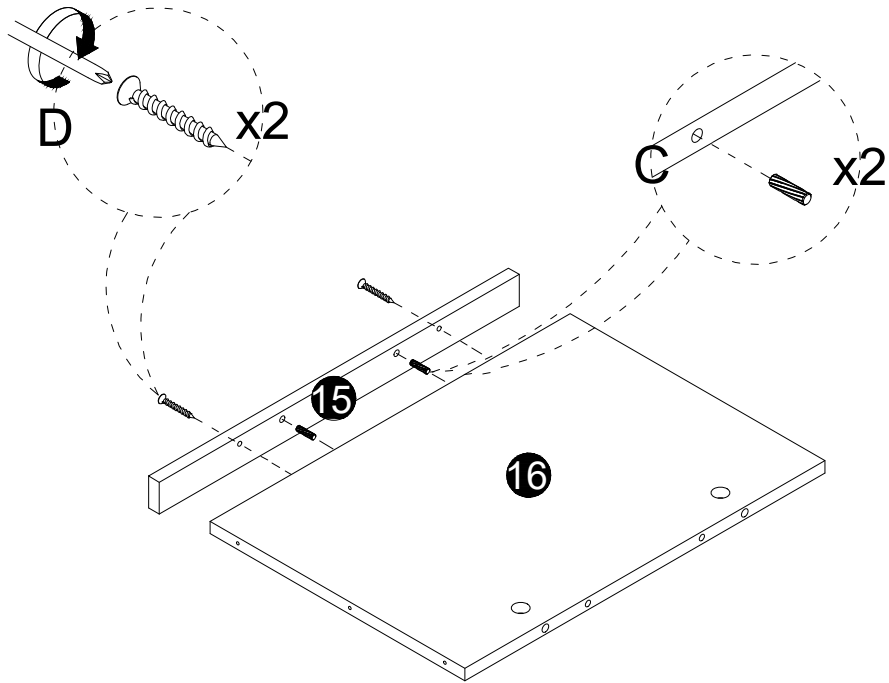
DL-2
x3



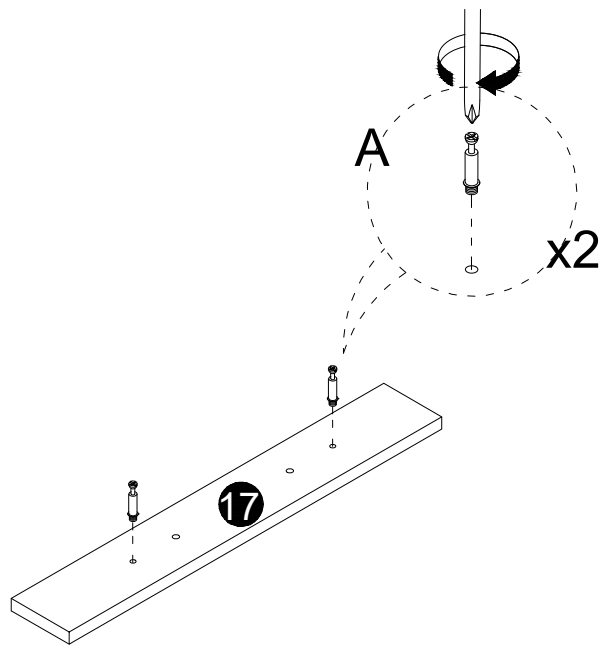
DR-2
x3



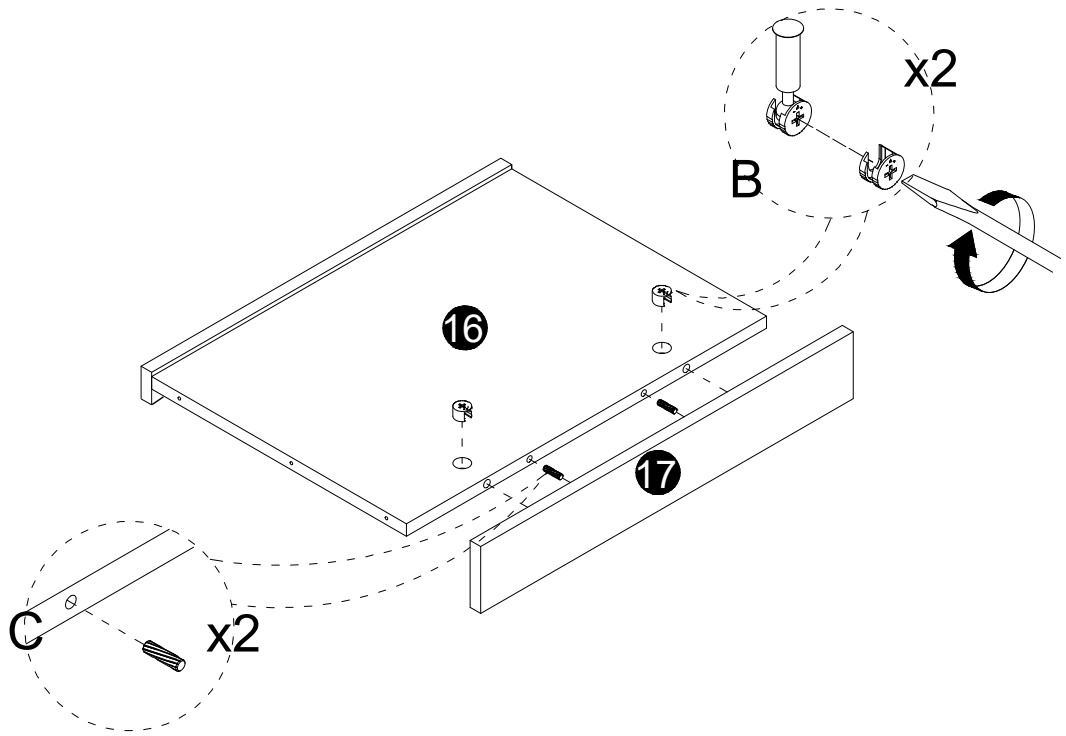
17



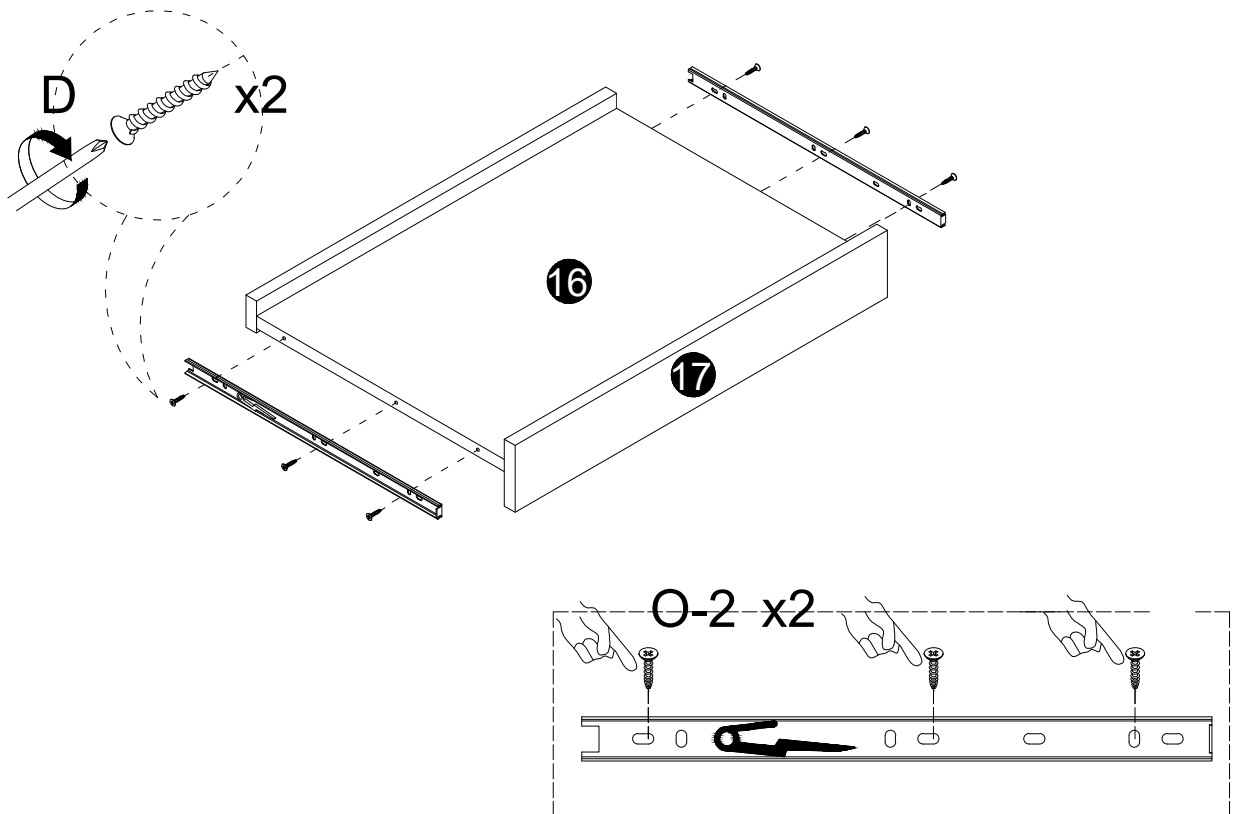
18

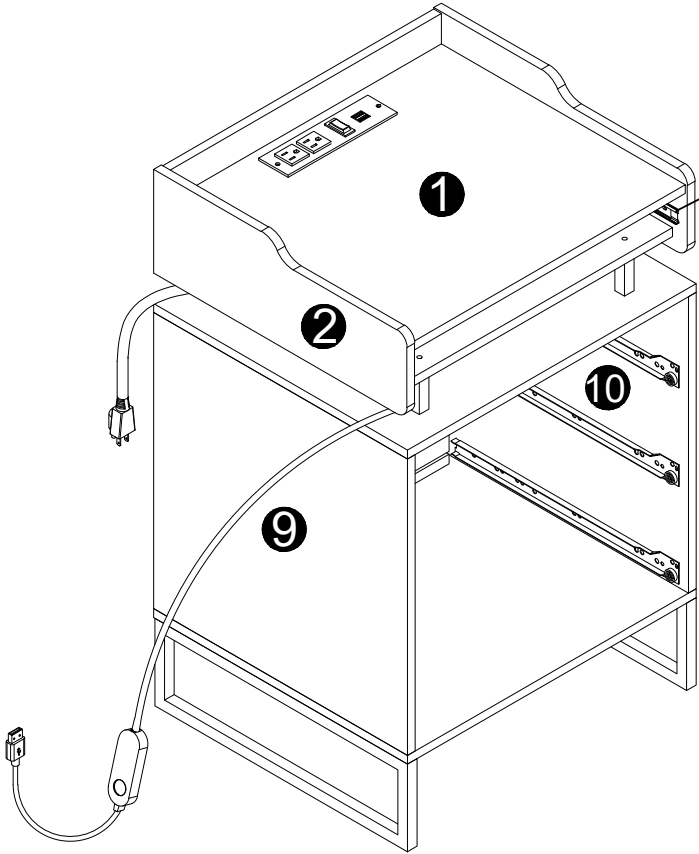
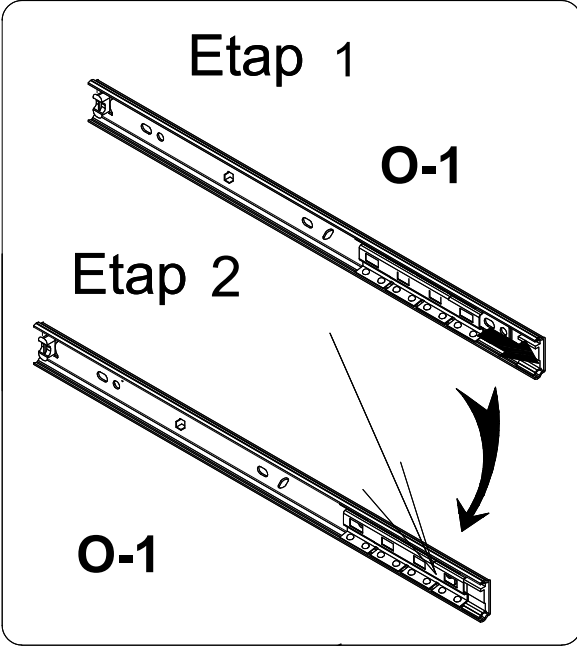


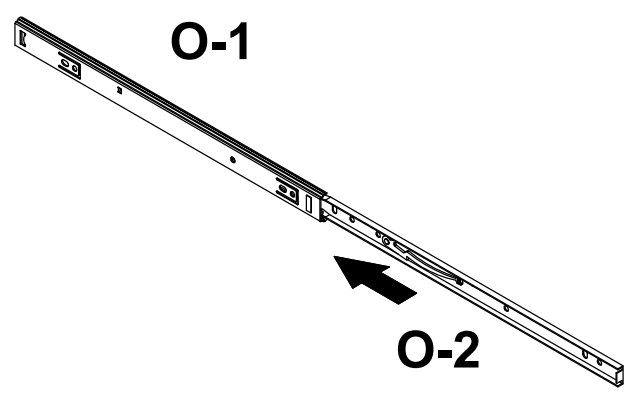
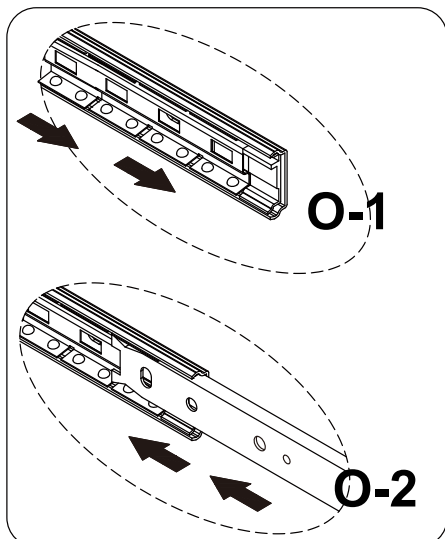
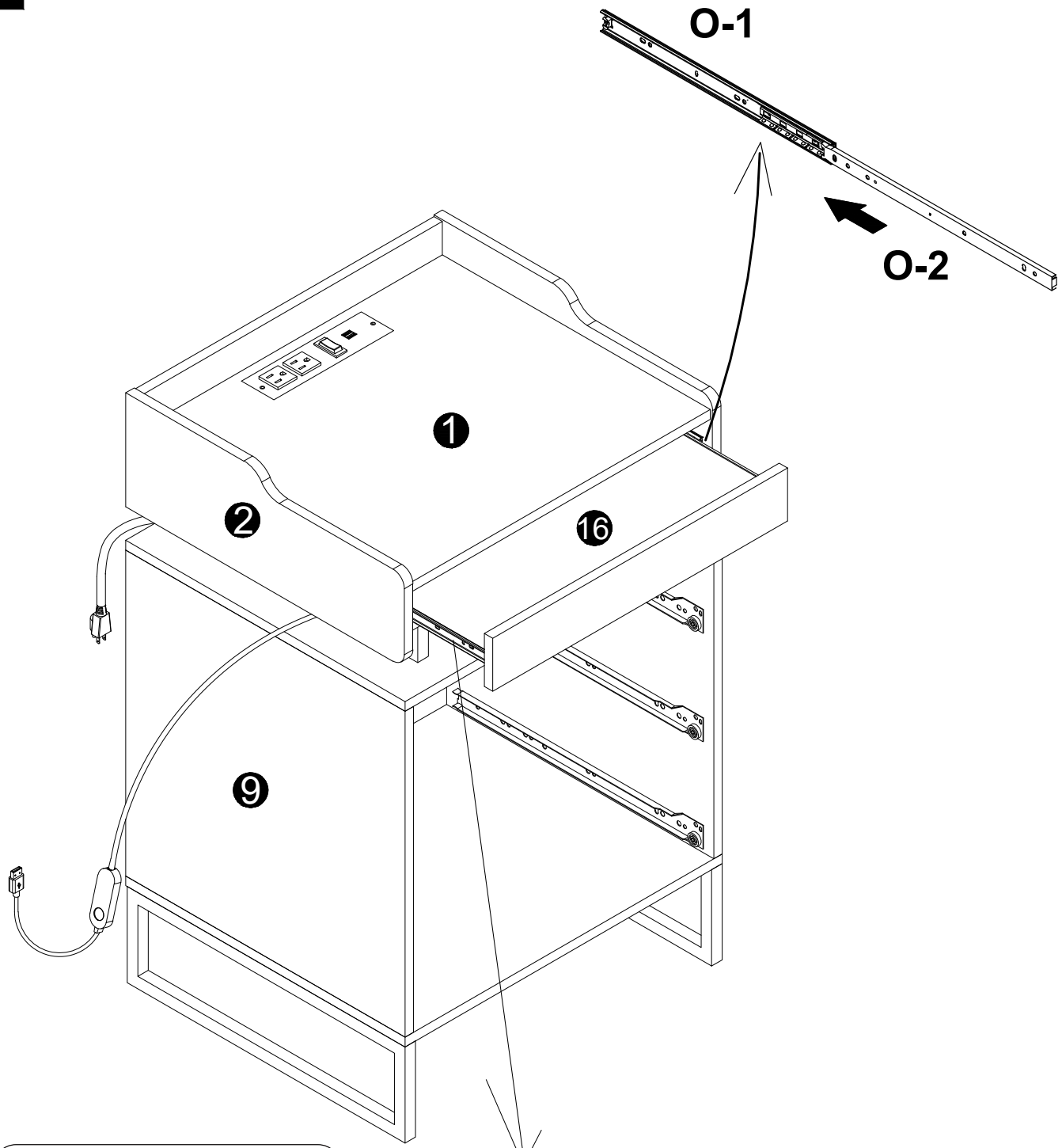
19



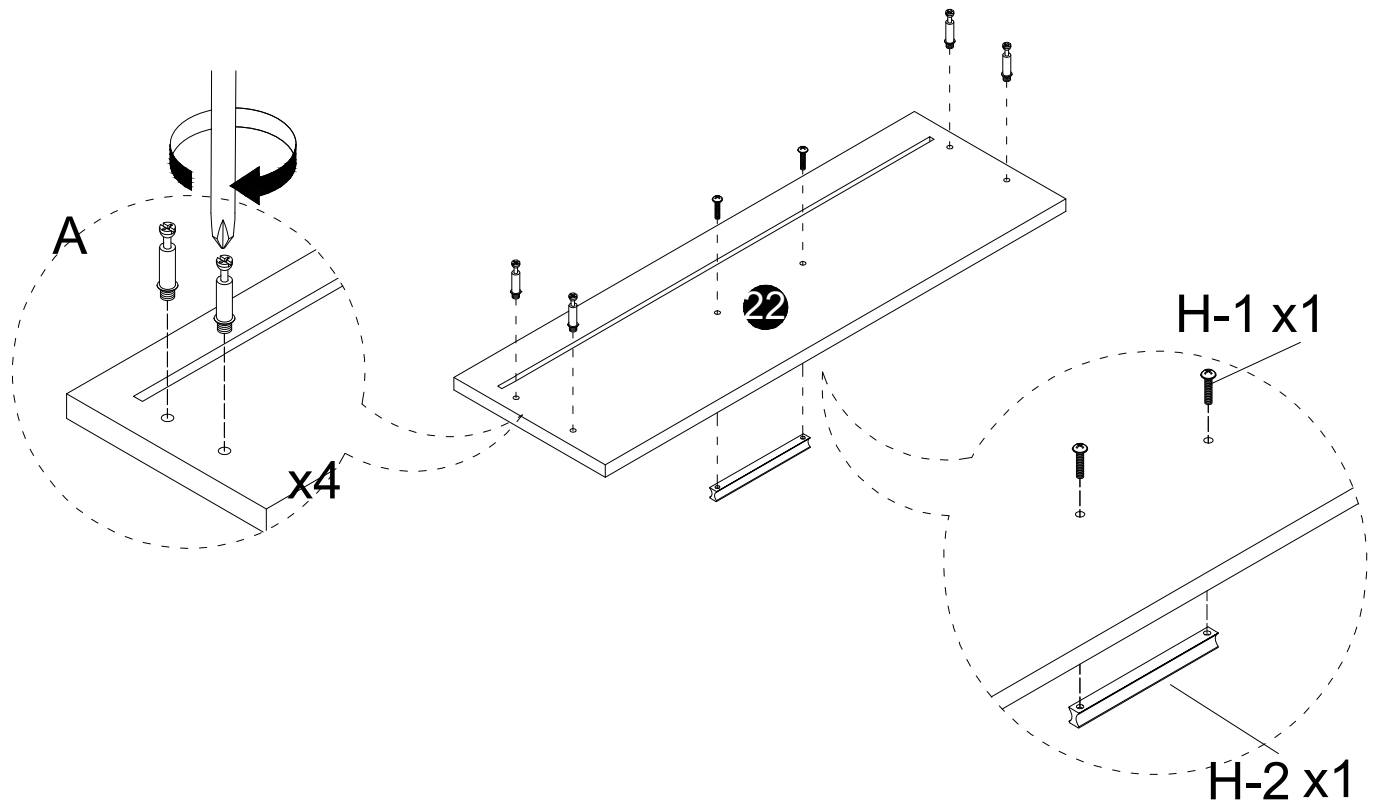
20



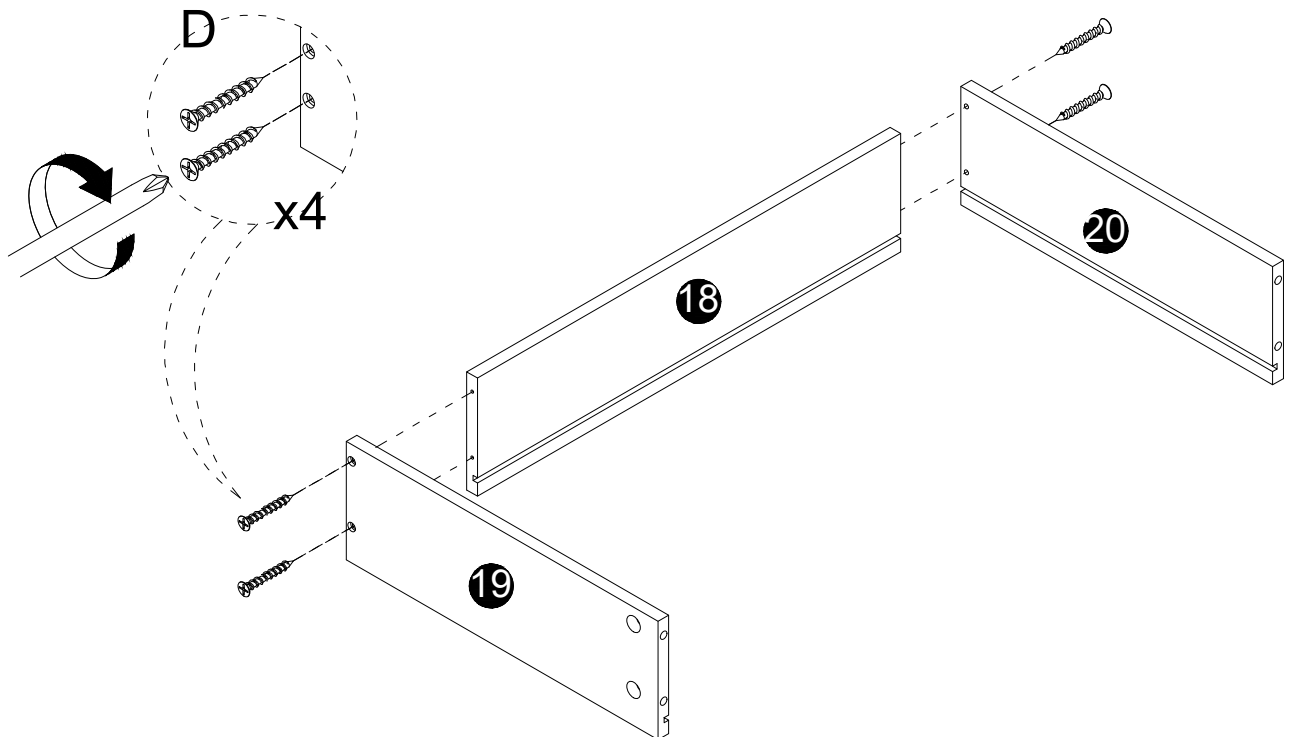




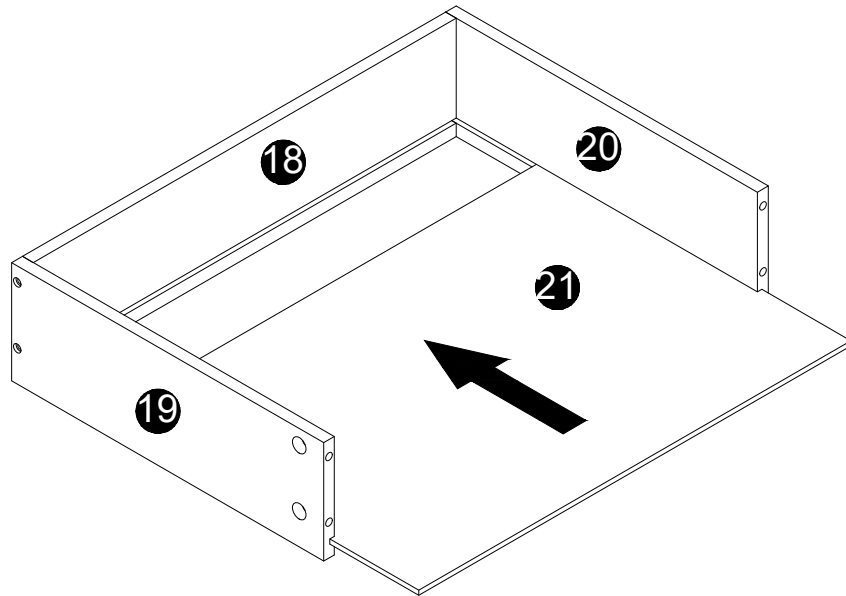
23 X3



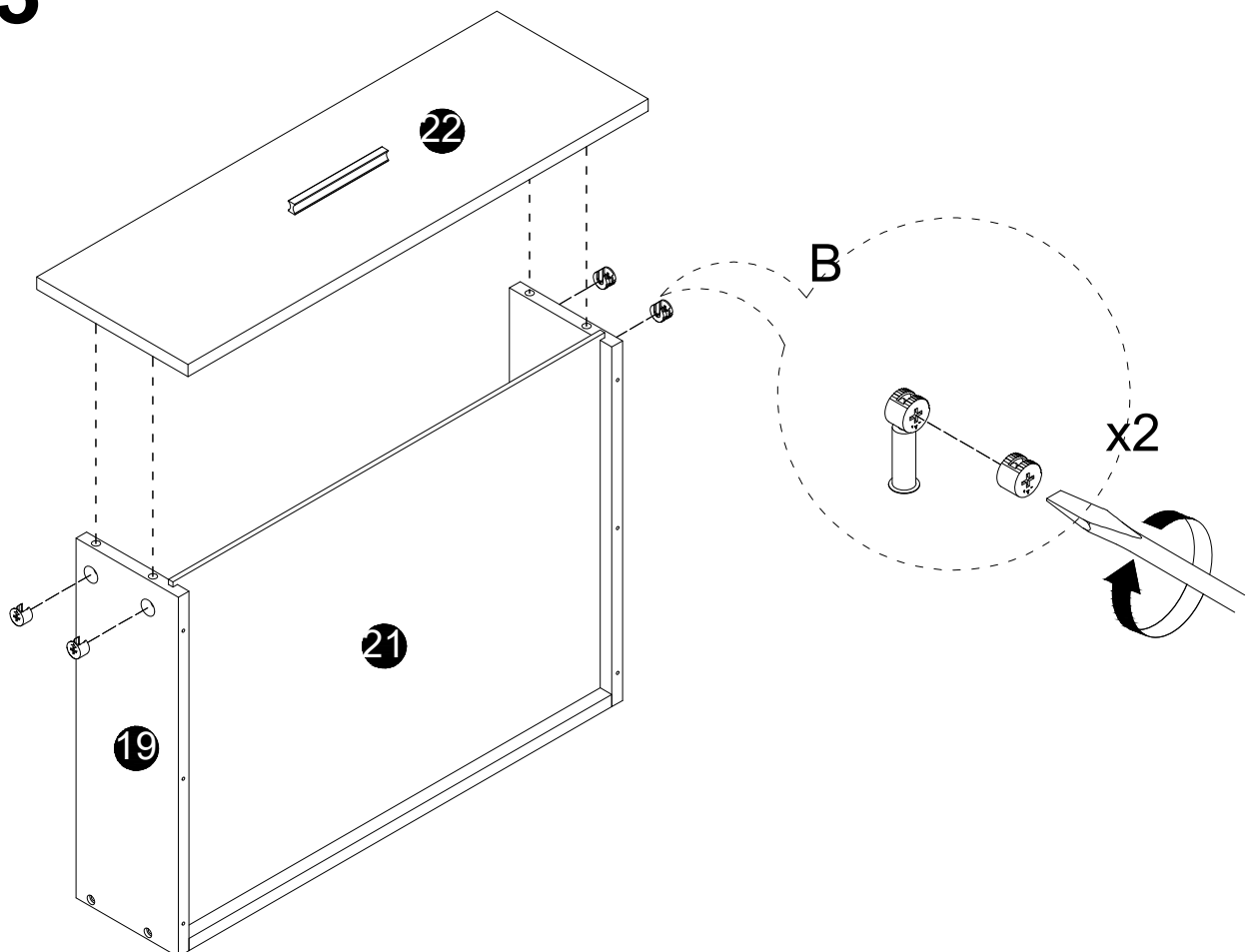
24 X3

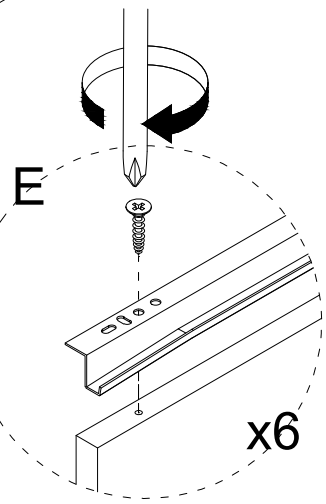
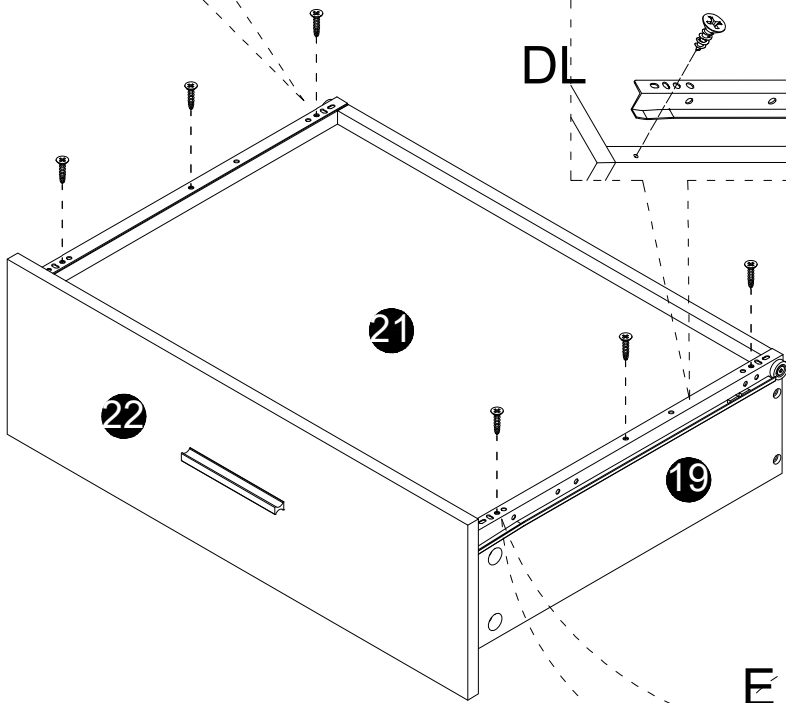
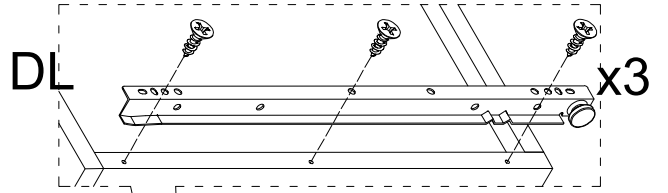
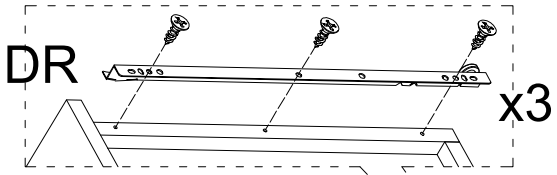


25 X3

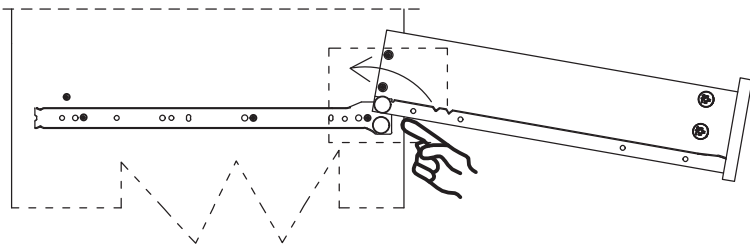


26 X3





(1)



(2)

