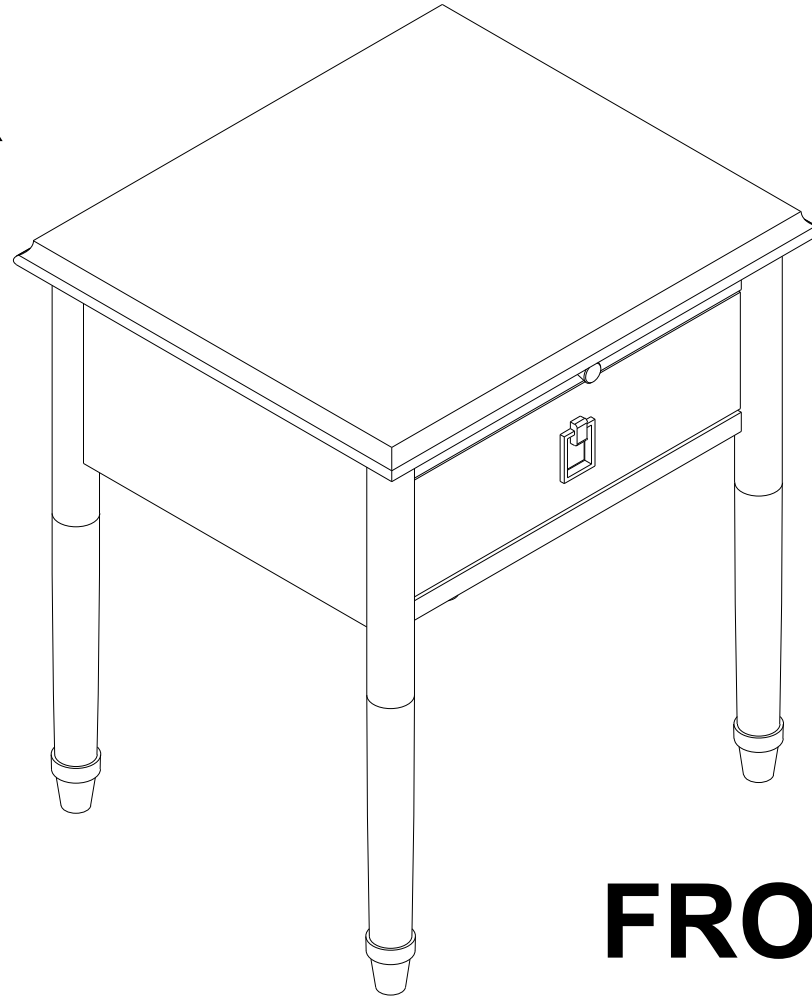


# ASSEMBLY INSTRUCTION

## SW 8000-90NS

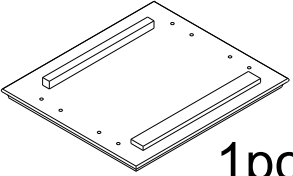
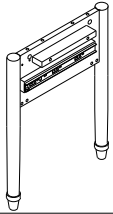
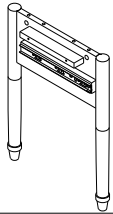
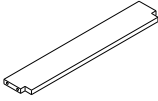
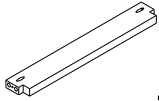
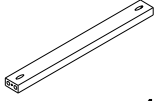
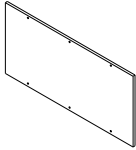
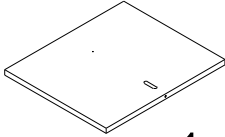
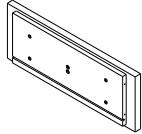
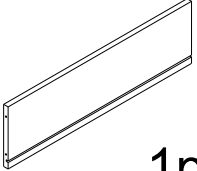
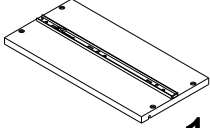
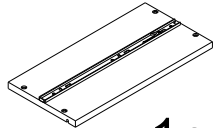
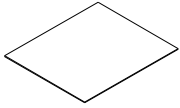
### REAR



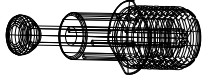


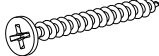
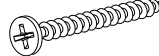
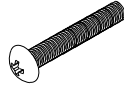
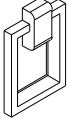
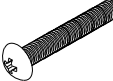
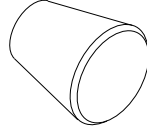
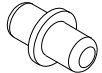
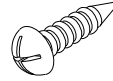

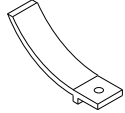
### FRONT



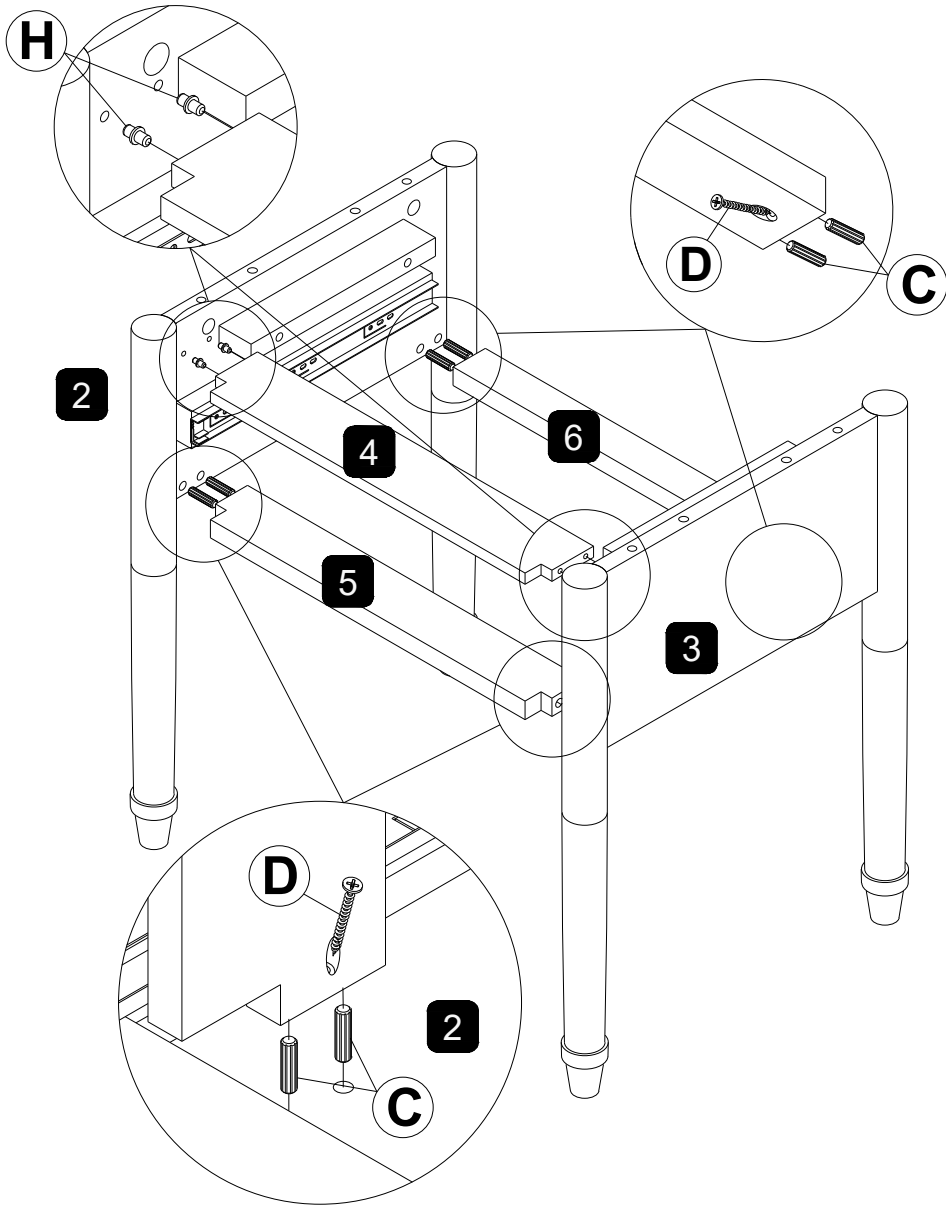
# PART LIST

<p><b>1</b> Top Panel</p>  <p>1pc</p>	<p><b>2</b> Side Panel(left)</p>  <p>1pc</p>	<p><b>3</b> Side Panel(right)</p>  <p>1pc</p>	<p><b>4</b> Center Rail</p>  <p>1pc</p>	<p><b>5</b> Support Rail</p>  <p>1pc</p>	<p><b>6</b> Rear Support Rail</p>  <p>1pc</p>
<p><b>7</b> Back Panel</p>  <p>1pc</p>	<p><b>8</b> Shelf Panel</p>  <p>1pc</p>	<p><b>9</b> Drawer Front Panel</p>  <p>1pc</p>	<p><b>10</b> Drawer Rear Panel</p>  <p>1pc</p>	<p><b>11</b> Drawer Side Panel(left)</p>  <p>1pc</p>	<p><b>12</b> Drawer Side Panel(right)</p>  <p>1pc</p>
<p><b>13</b> Drawer Base Panel</p>  <p>1pc</p>					

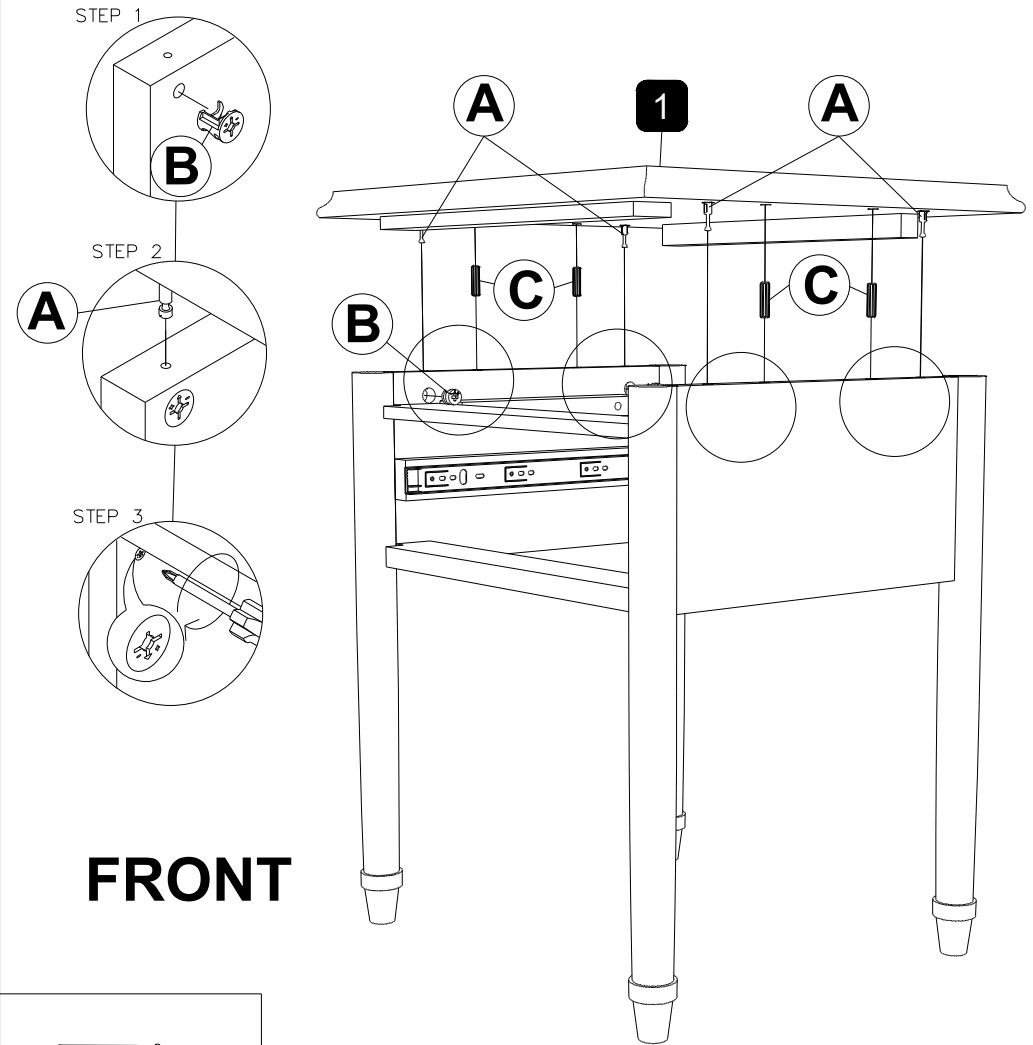
# HARDWARE LIST

<p><b>A</b> MINI FIX SPREADING BOLT 24MM</p>  <p>4pcs</p>	<p><b>B</b> MINIFIX HOUSING Ø15*12MM</p>  <p>4pcs</p>	<p><b>C</b> WOOD DOWEL M8*30MM</p>  <p>12pcs</p>	<p><b>D</b> CSK SCREW M4*30MM</p>  <p>4pcs</p>	<p><b>E</b> CSK SCREW M4*25MM</p>  <p>8pcs</p>	<p><b>F</b> HANDLE 1</p>   <p>1set</p>
<p><b>G</b> HANDLE 2</p>   <p>1set</p>	<p><b>H</b> SHELF PIN</p>  <p>4pcs</p>	<p><b>I</b> PAN HEAD M3.5*16MM</p>  <p>6pcs</p>	<p><b>J</b> CSK SCREW M4*16MM</p>  <p>1pc</p>	<p><b>K</b> STOPPER</p>  <p>1pc</p>	

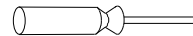
# STEP 1




# STEP 2




**FRONT**




  
C X 8pcs

  
D X 4pcs

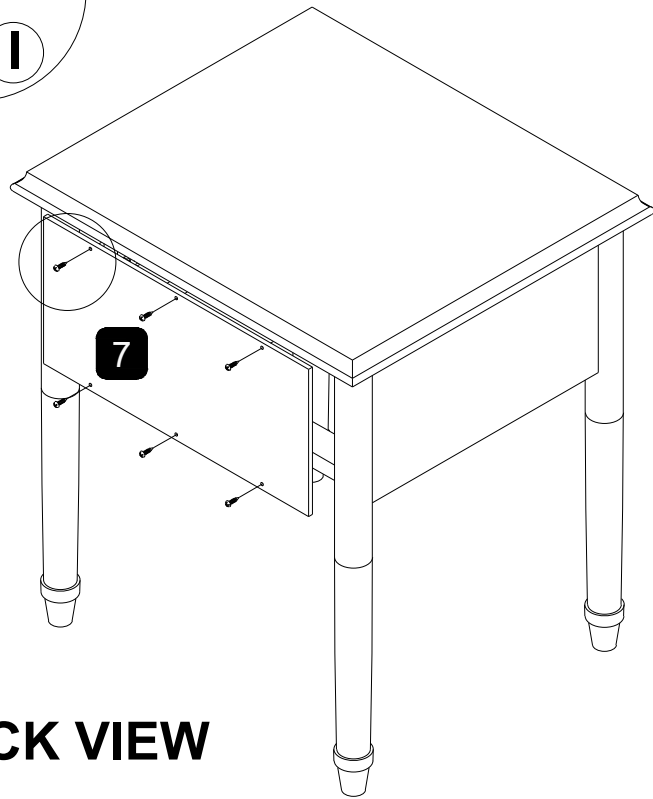
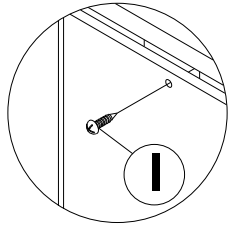
  
H X 4pcs

  
A X 4pcs

  
B X 4pcs

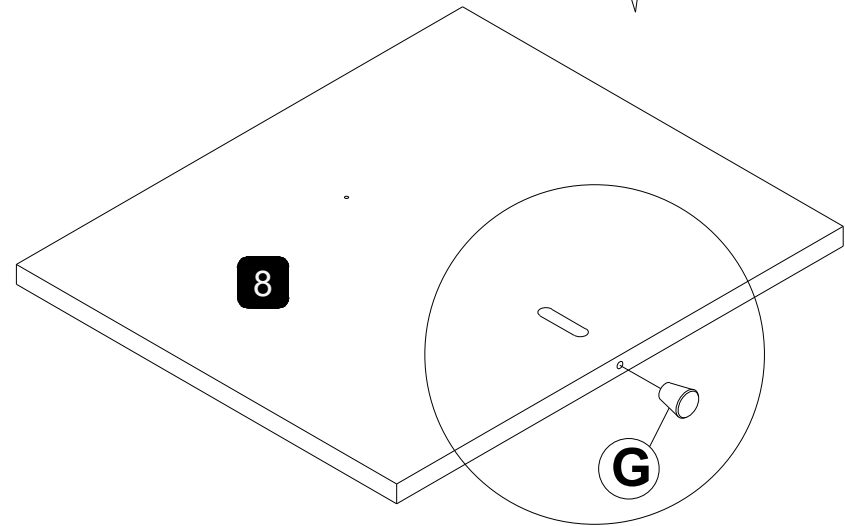
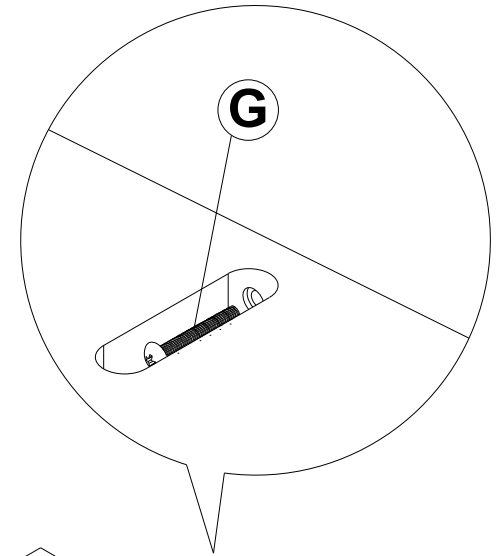
  
C X 4pcs

# STEP 3




**BACK VIEW**

# STEP 4

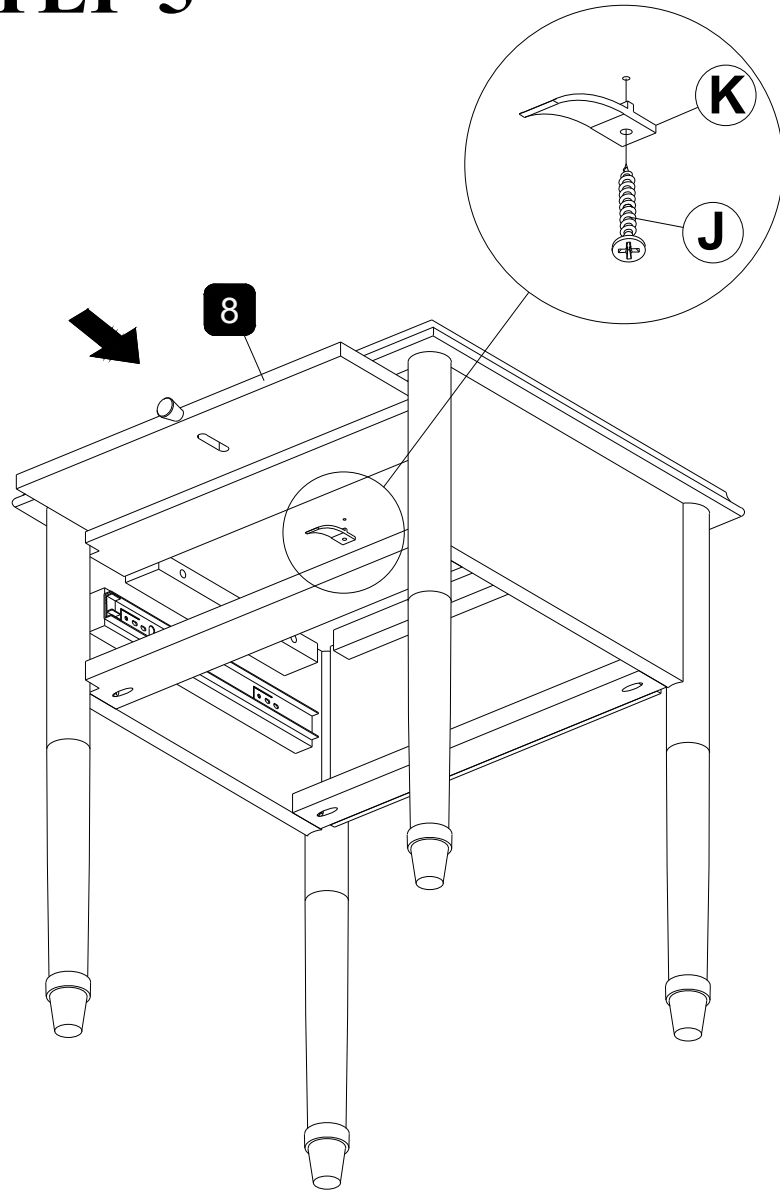


I X 6pcs

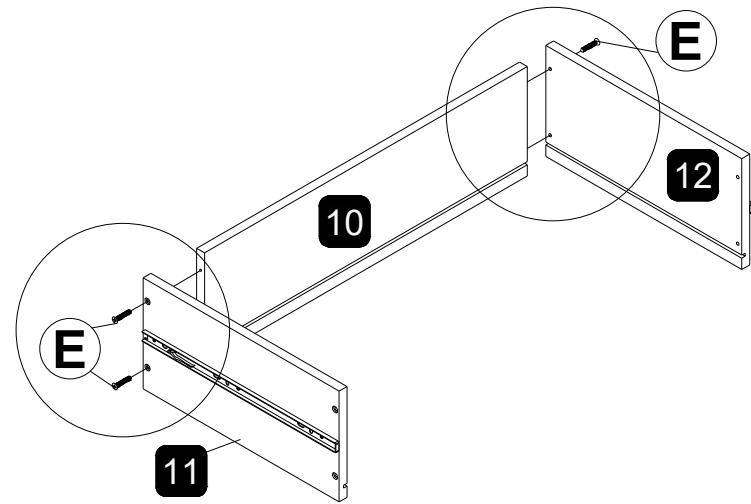



G X 1set

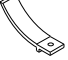
# STEP 5

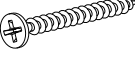


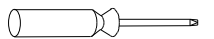
# STEP 6



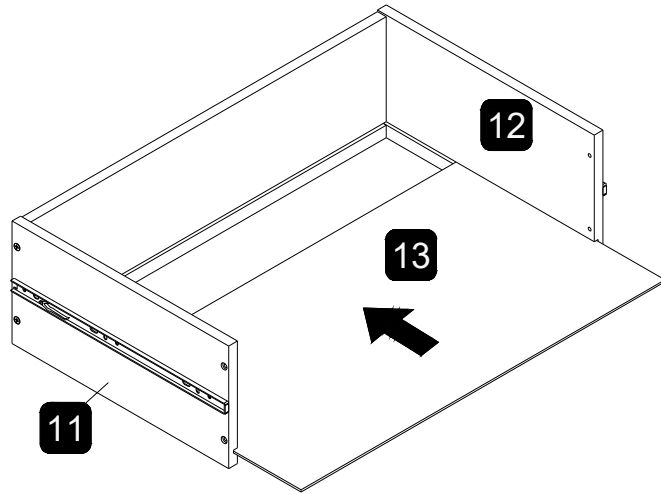
  
J X 1pc

  
K X 1pc

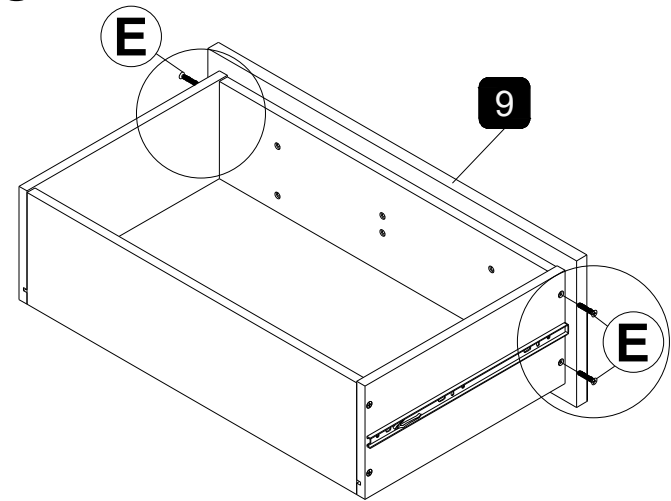
  
E X 4pcs



# STEP 7

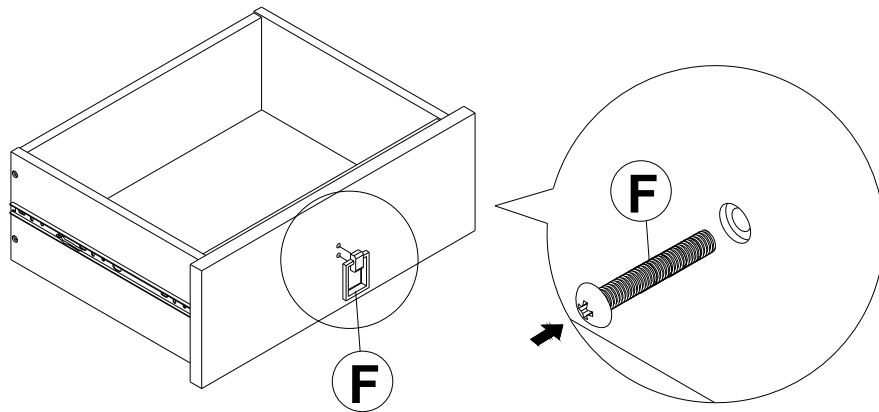


# STEP 8

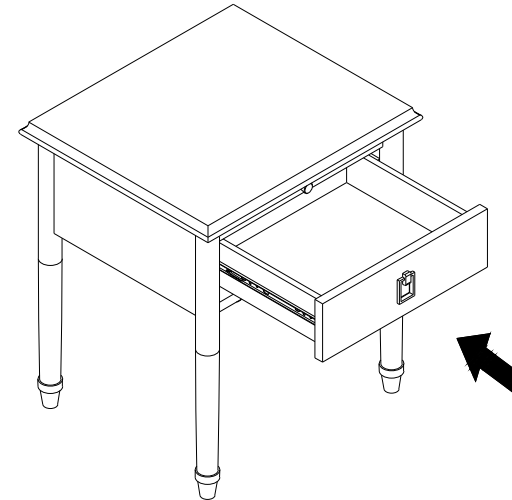



E X 4pcs

# STEP 9



# STEP 10



  
F X 1set



**ASSEMBLY COMPLETE**

