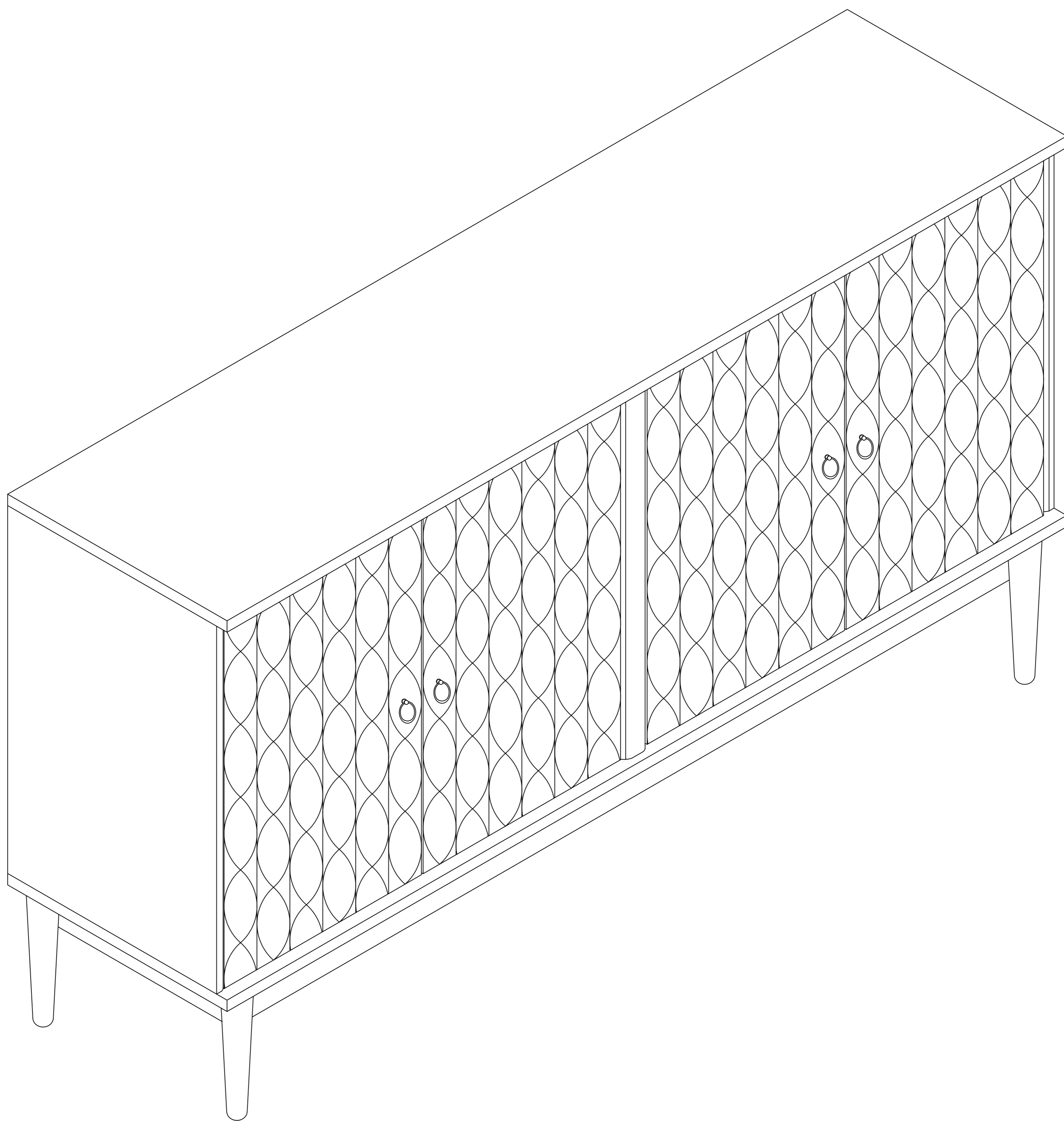


ASSEMBLY INSTRUCTION

Item : N715P183105

SIDEBOARD



ASSEMBLY INSTRUCTION

Item : N715P183105

Important - Please read these instructions fully before starting assembly

- Check you have all the components and tools listed on the following pages.

- Remove all fittings from the plastic bags and separate them into their groups.

- Keep children and animals away from the work area, small parts could choke if swallowed.

- Make sure you have enough space to layout the parts before starting.

- During assembly do not stand or put weight on the product, this could cause damage.

- Assemble the item as close to its final position (in the same room) as possible.

- Assemble on a soft level surface to avoid damaging the unit or your floor.

- Parts of the assembly will be easier with 2 people.



- To reduce the likelihood of damaging your product please ensure that your power drill is set on low torque setting.

Care and maintenance

- Only clean using a damp cloth and mild detergent, do not use bleach or abrasive cleaners.

- From time to time check that there are no loose screws on this unit.

- This product should not be discarded with household waste. Take to your local authority waste disposal centre.

Handy Hints

- Assemble all parts and bolts loosely during assembly, only once the product is complete should you fully tighten the bolts

- Regularly check and ensure that all bolts and fittings are tightened properly.

WARNING

In order to help prevent overturning - please follow these instructions

To help prevent product toppling over please follow the below steps:-

Use the anti tip strap or wall fixing method provided (if applicable)

Do not allow children to climb or hang on the furniture

Do not open more than one drawer at a time

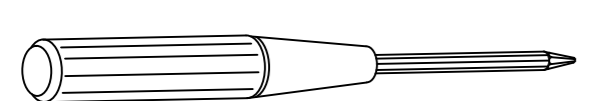
Do not place heavy items in the top drawers

Do not place heavy items on top of the furniture, unless the furniture has been designed for this purpose

Please note that only the anti tip strap is provided.

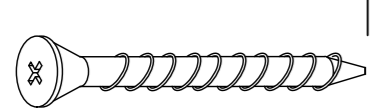
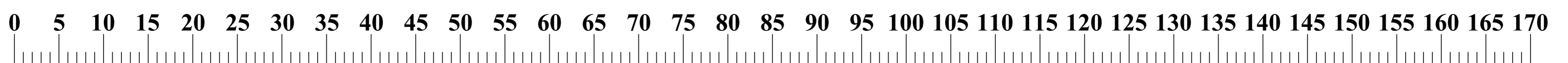
You will need to provide wall plugs and screws applicable for your wall type

Tools required



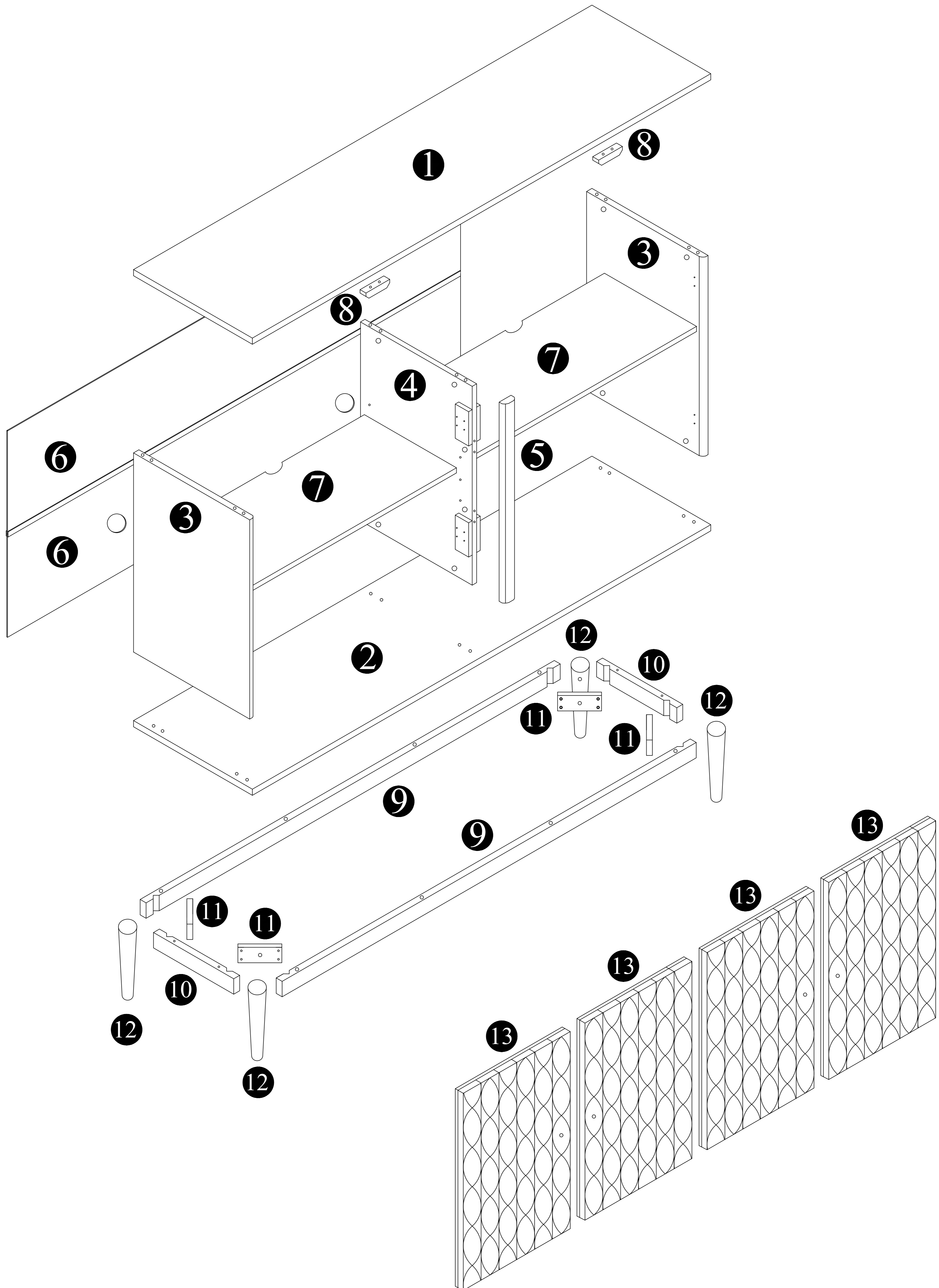
Philips screwdriver (medium & large)

Ruler - Use this ruler to help correctly identify the screws



The screws length is measured from the head to the point (16mm screw shown).

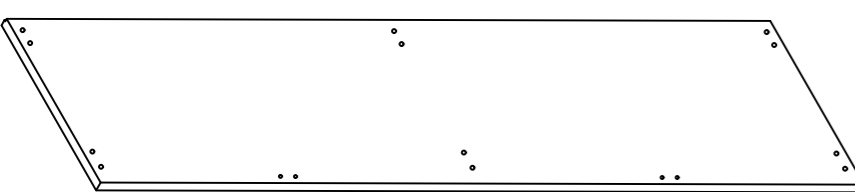
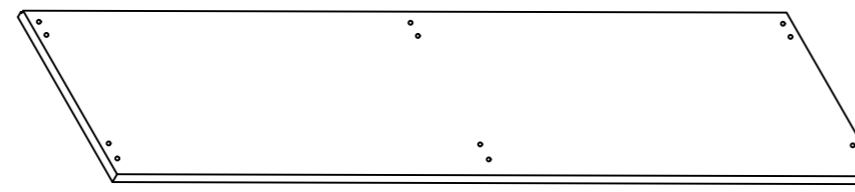
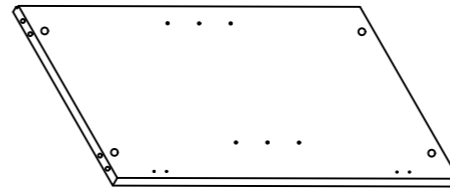
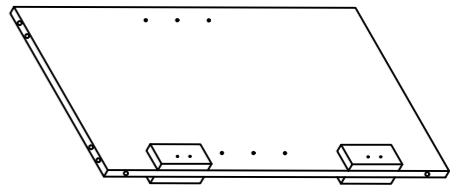
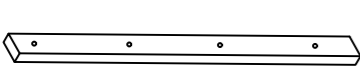
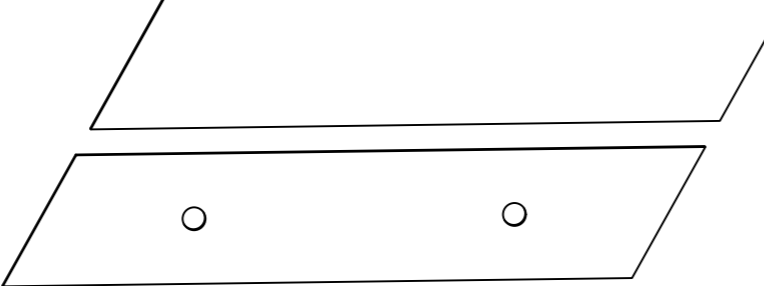
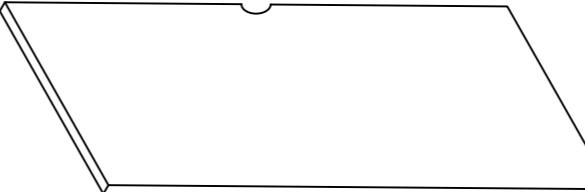
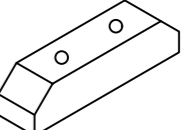
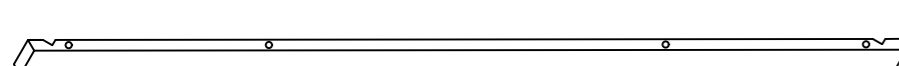
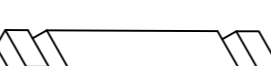
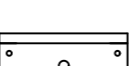

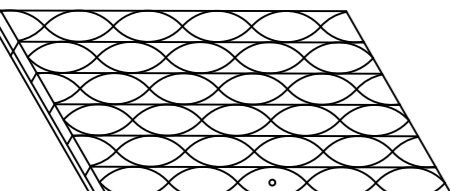
ASSEMBLY INSTRUCTION
Item : N715P183105



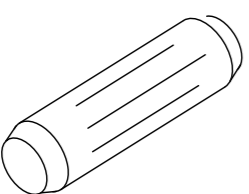
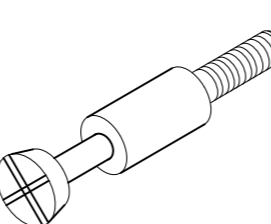

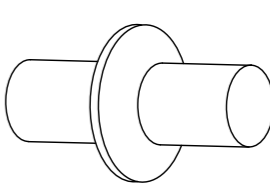
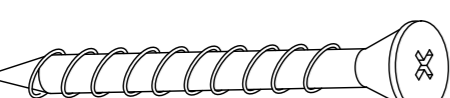
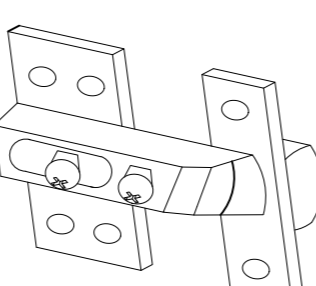
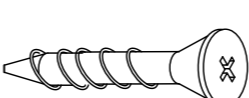
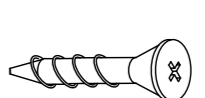

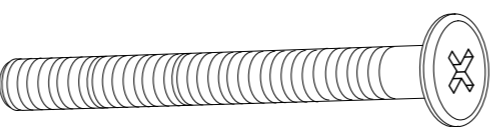

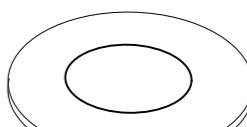
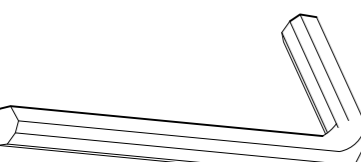
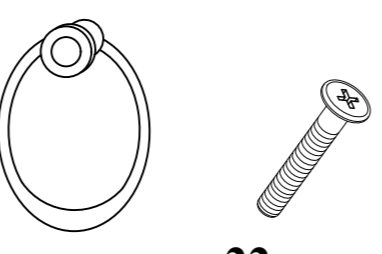
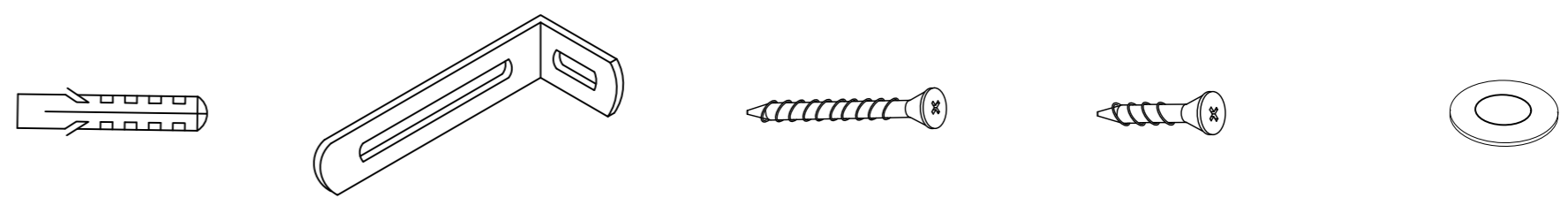
ASSEMBLY INSTRUCTION

Item : N715P183105

PART LIST

1  Top panel - 1pc	2  Bottom panel - 1pc	3  Side panel - 2pcs	4  Center panel - 1pc
5  Center pillar - 1pc	6  Back panel - 2pcs	7  Shelves - 2pcs	8  Door stopper - 2pcs
9  Leg frame (front & back) - 2pcs	10  Leg frame (side) - 2pcs	11  Leg frame connector - 4pcs	12  Leg - 4pcs
13  Door panel - 4pcs			

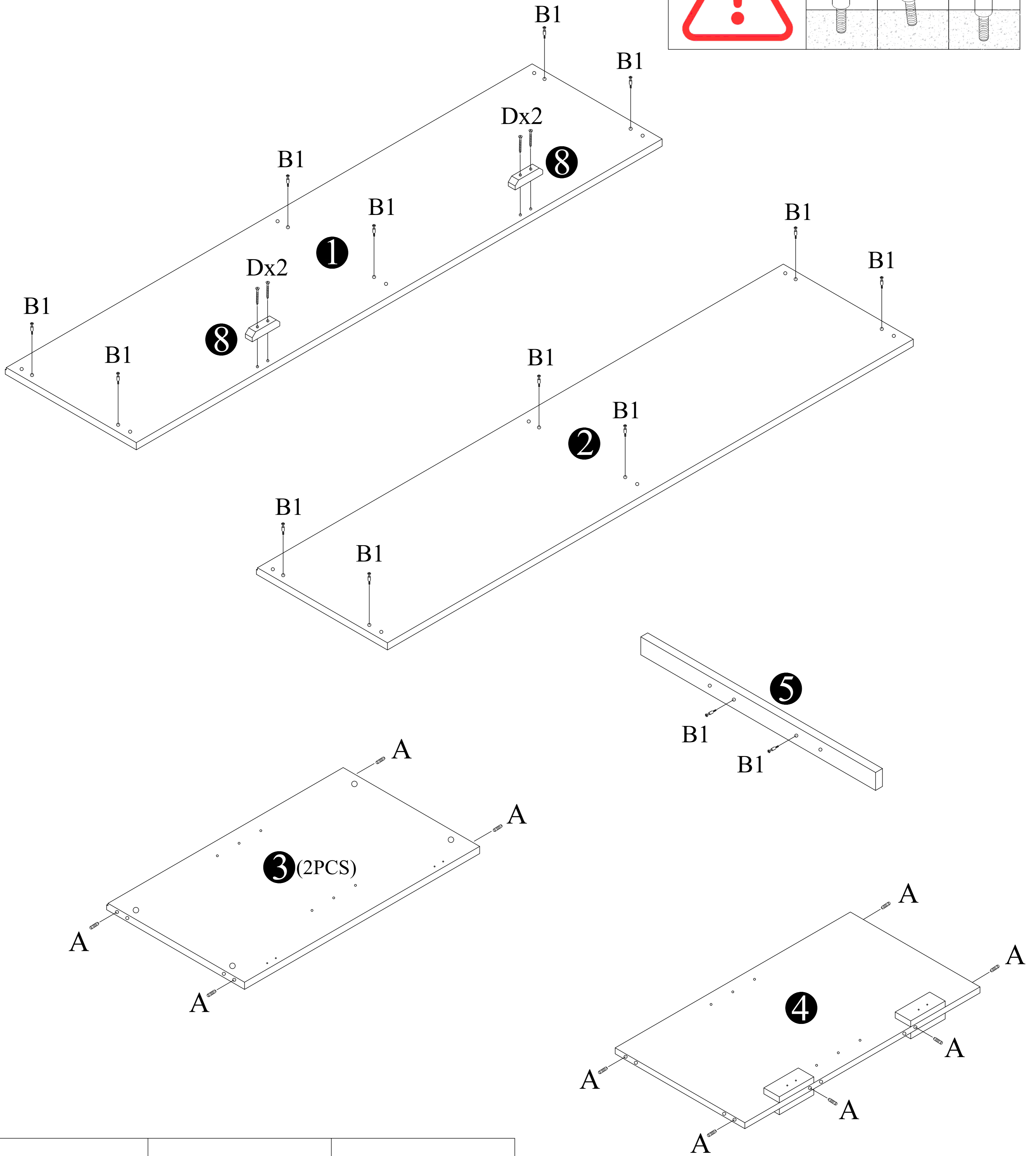
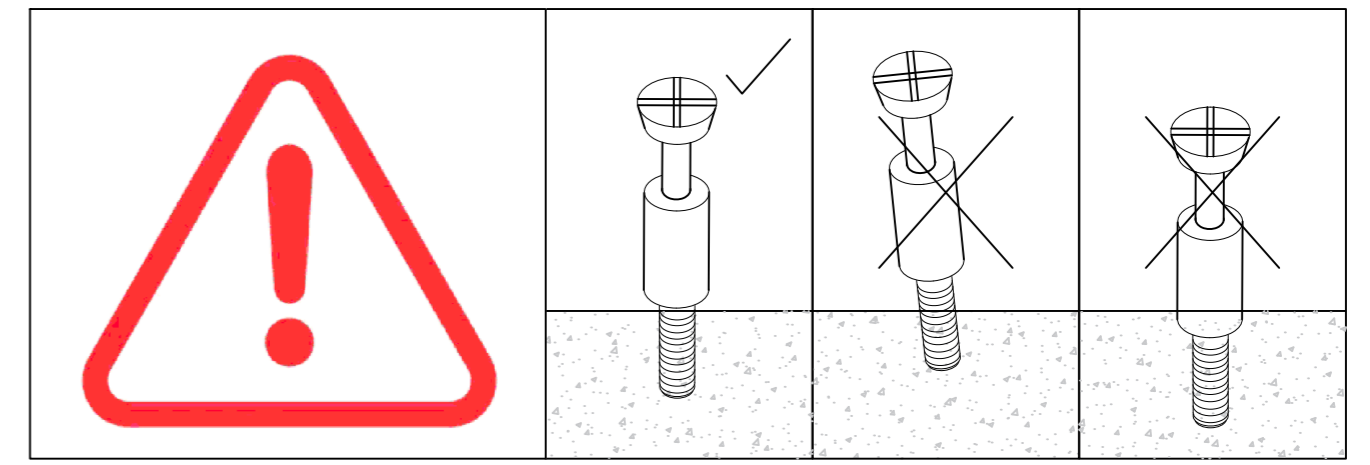
HARDWARE LIST

A  M8*30mm Wood dowel (14pcs)	B1  Minifix (14pcs)	B2  Minifix cap (14pcs)	C  Metal shelf support (8pcs)
D  M4*32mm Wood screw (32pcs)	E  7/8 Soft close hinges (8pcs)	F  M3.5*16mm Wood screw (48pcs)	G  M3*12mm Wood screw (42pcs)
H  1501mm H connector (1pc)	I  M8*75mm JCBB (4pcs)	J  Spring Washer (4pcs)	K  Flat Washer (4pcs)
L  M5 Allen Key (1pc)	M  22mm Handle with screw (4sets)	L L1 L2 L3 L4 L5  2pcs 2pcs 2pcs 2pcs 4pcs Anti tipping kit 2 sets	

ASSEMBLY INSTRUCTION

Item : N715P183105

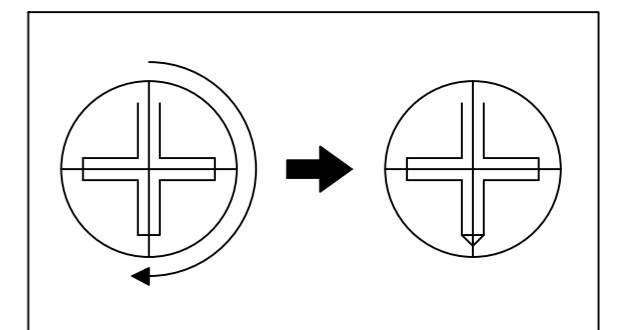
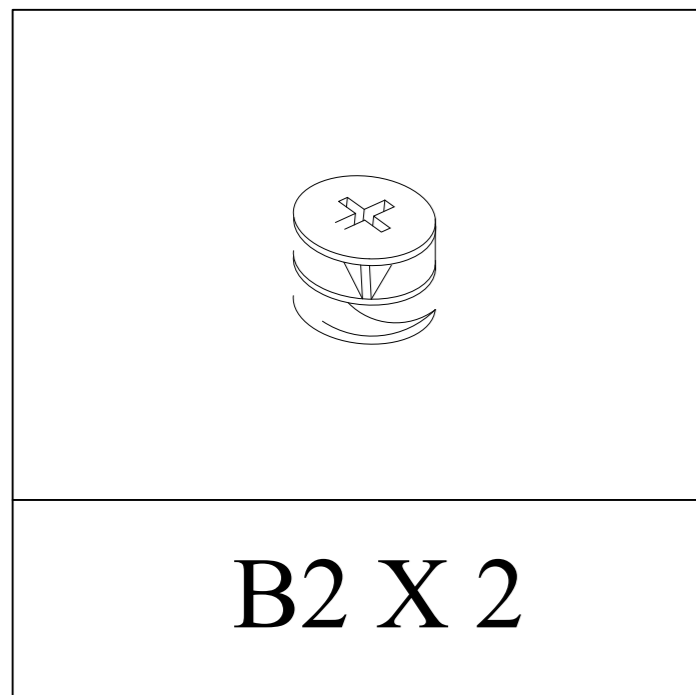
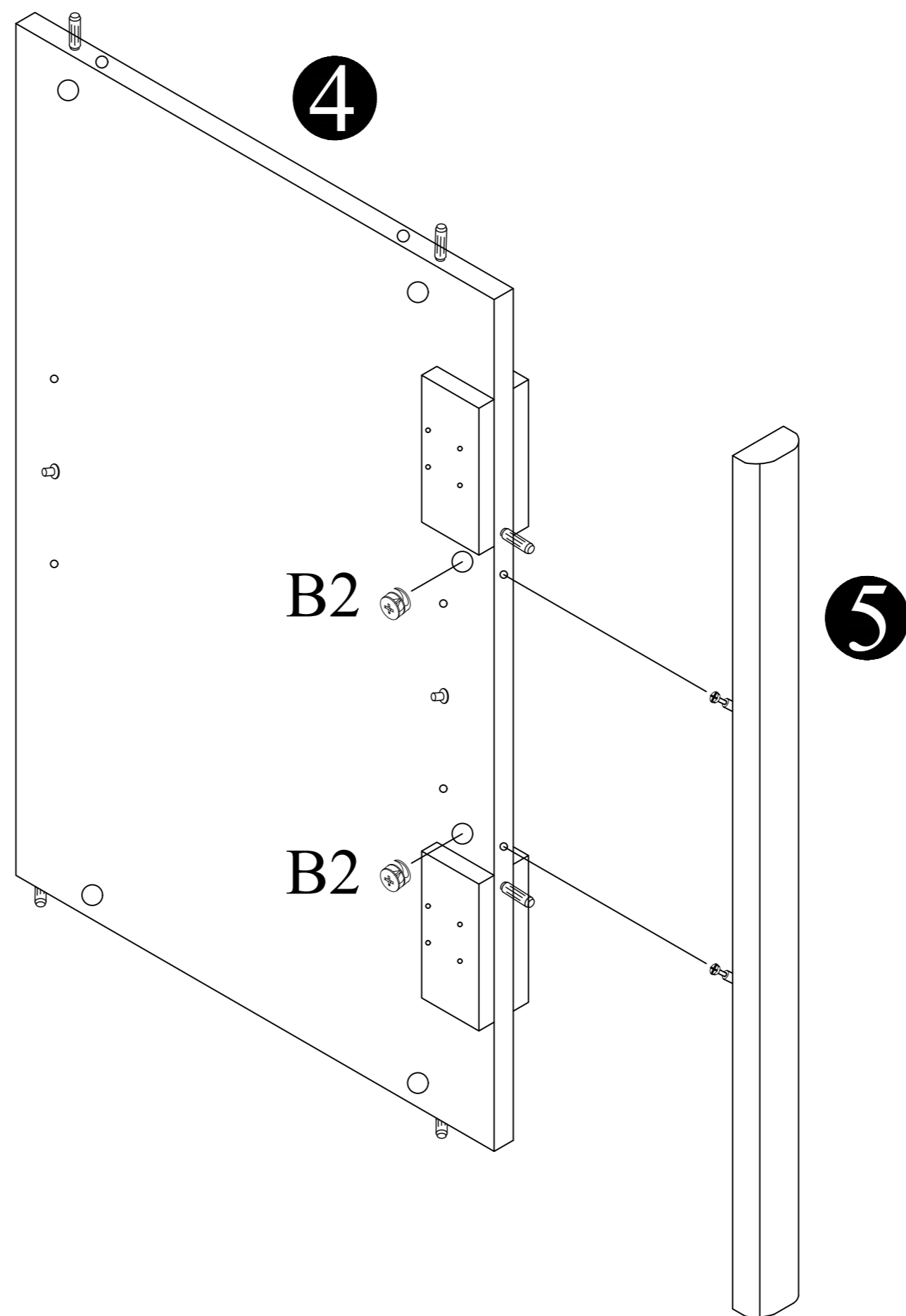
Step 1



		 M4*32mm
A X 14	B1 X 14	D X 4

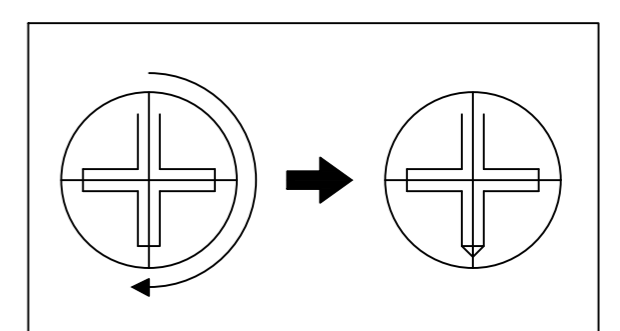
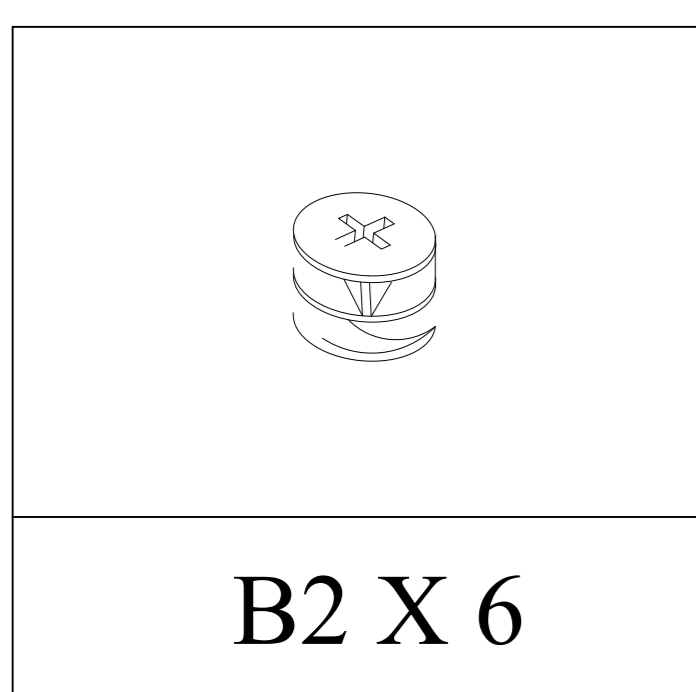
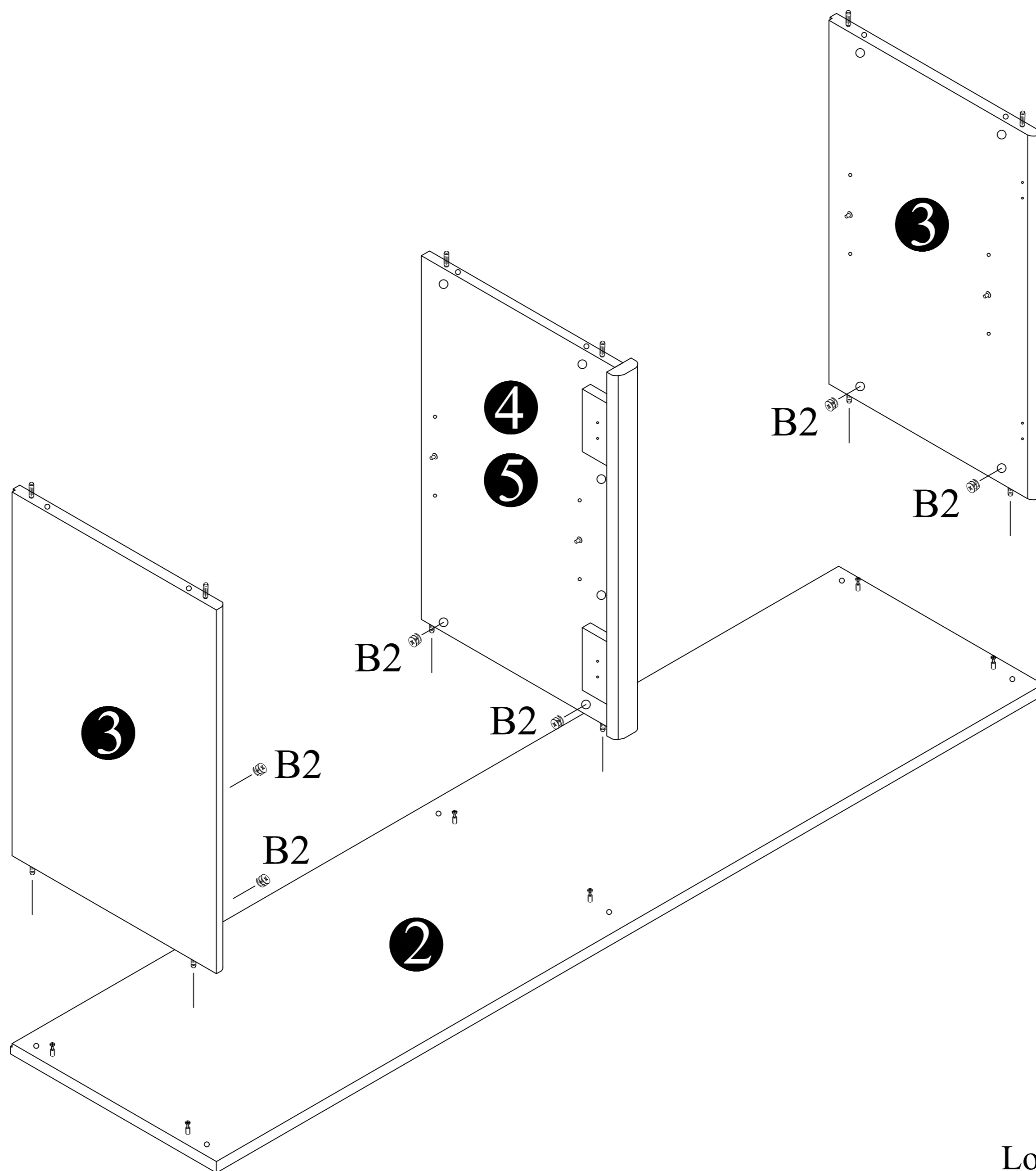
ASSEMBLY INSTRUCTION
Item : N715P183105

Step 2



Lock Minifix cap clockwise

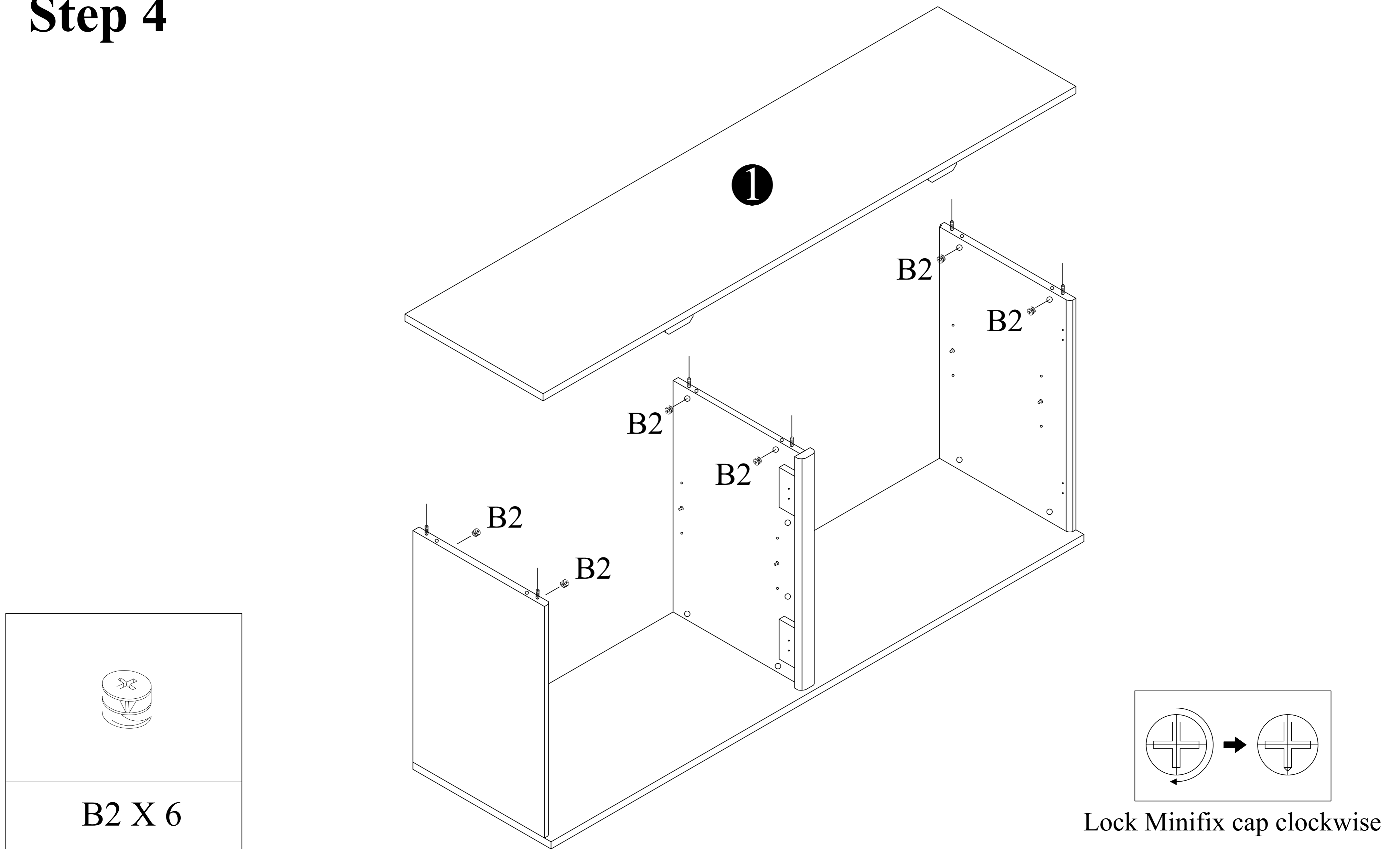
Step 3



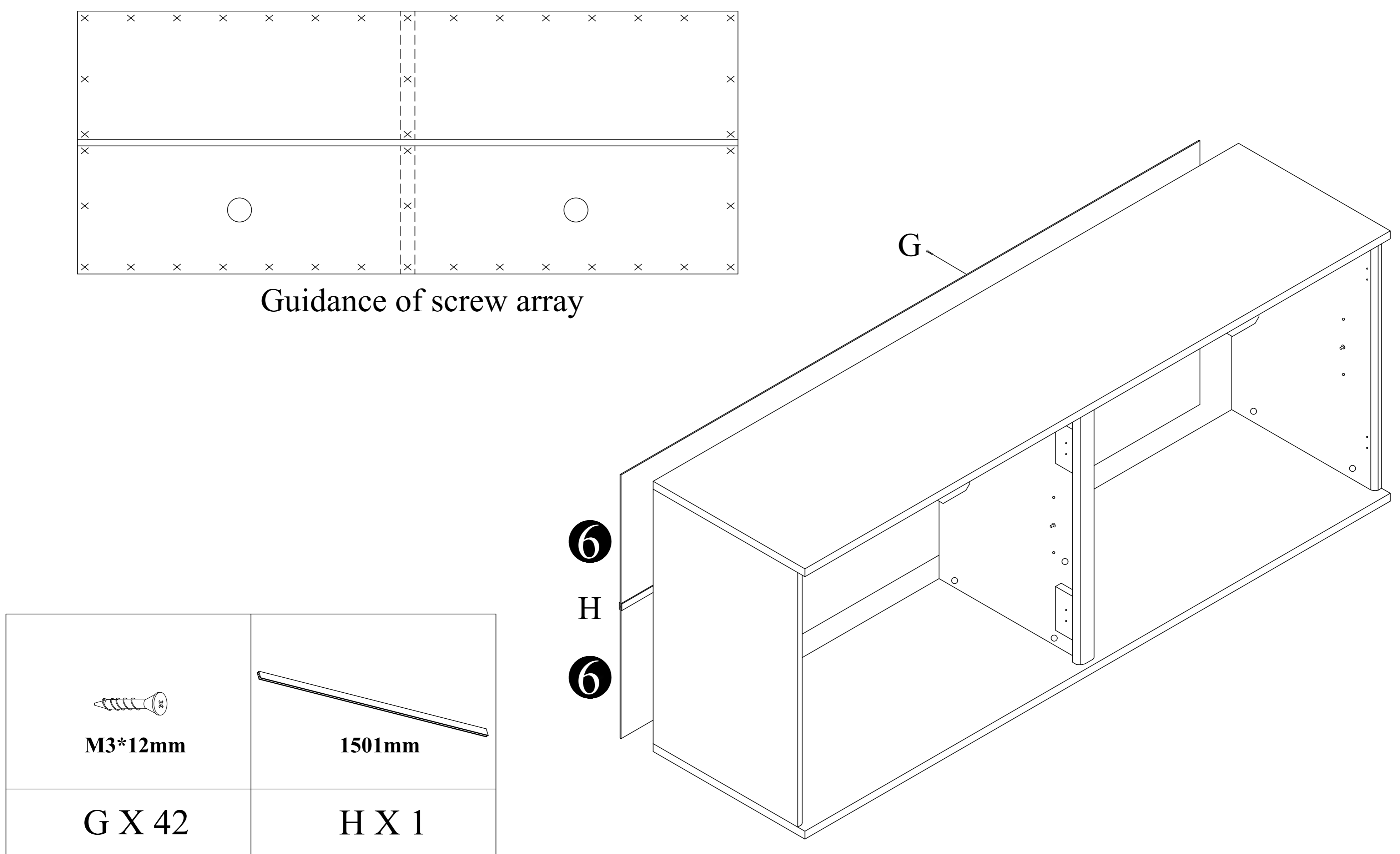
Lock Minifix cap clockwise

ASSEMBLY INSTRUCTION
Item : N715P183105

Step 4



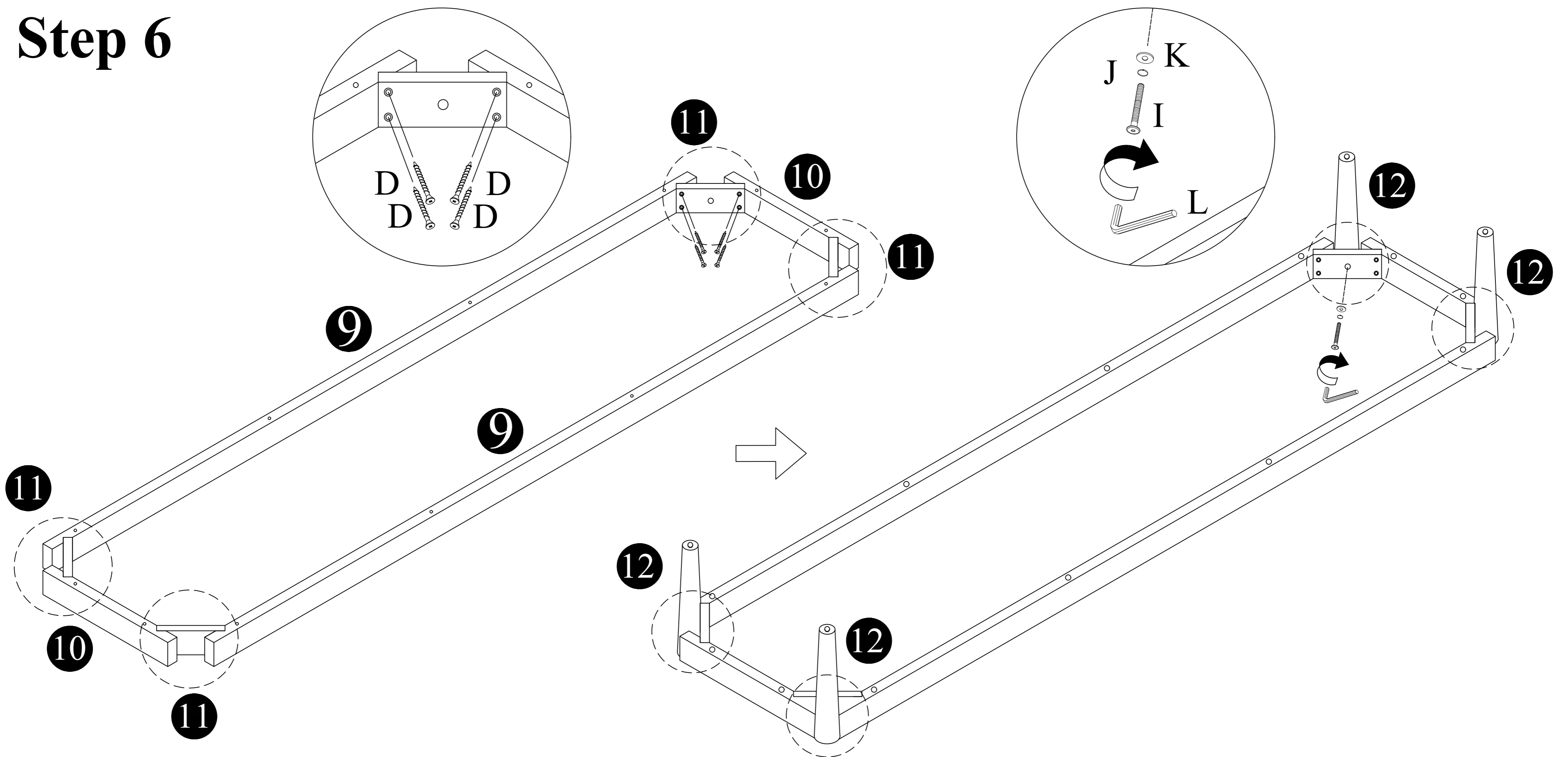
Step 5


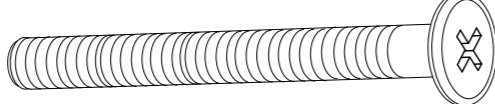

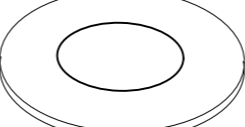
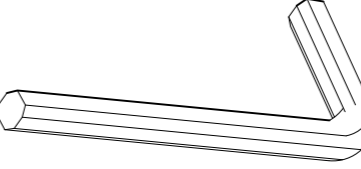


ASSEMBLY INSTRUCTION

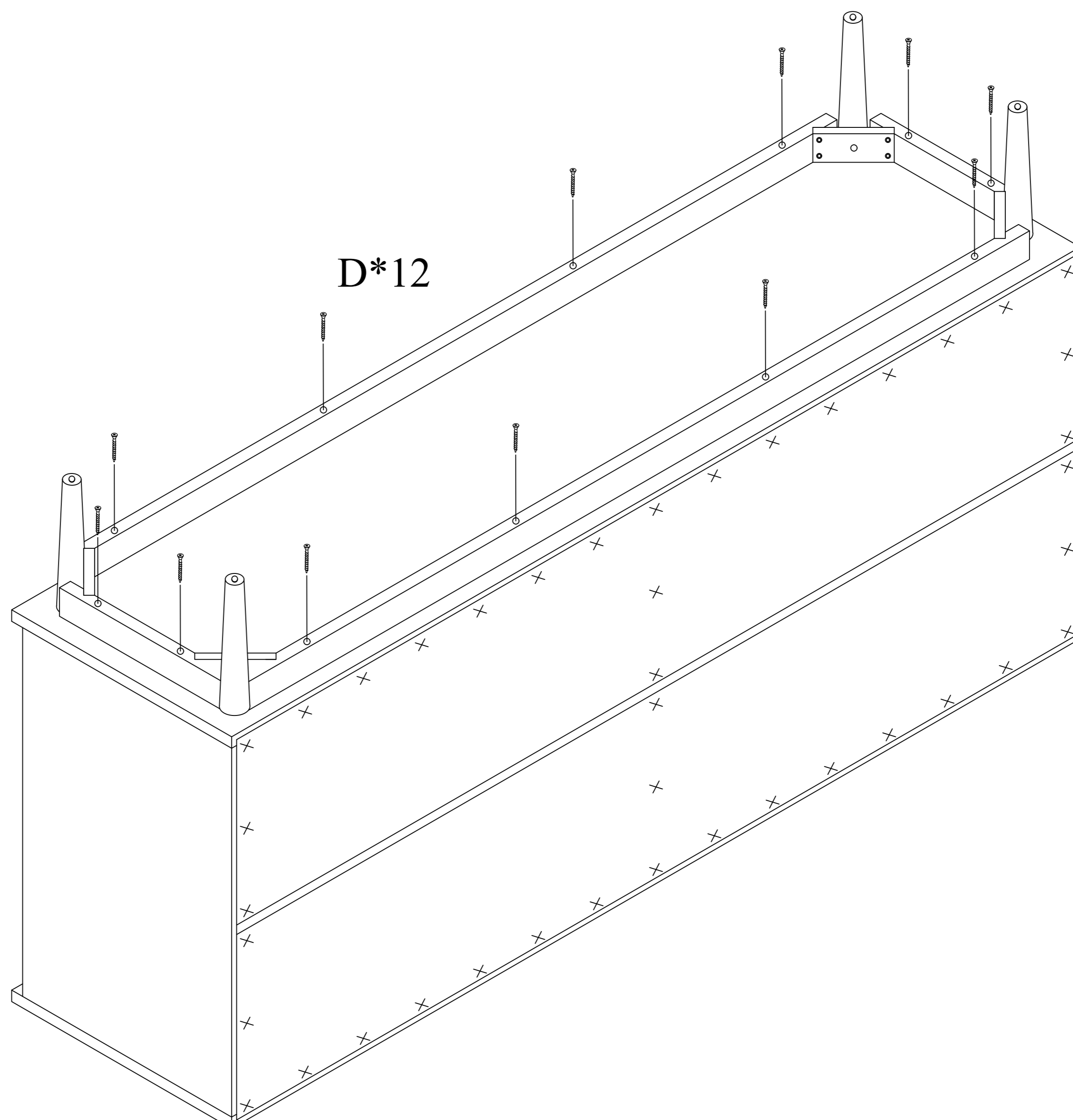
Item : N715P183105

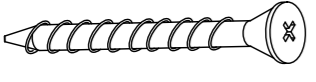
Step 6



 M4*32mm	 M8*75mm			 M5
D X 16	I X 4	J X 4	K X 4	L X 1

Step 7

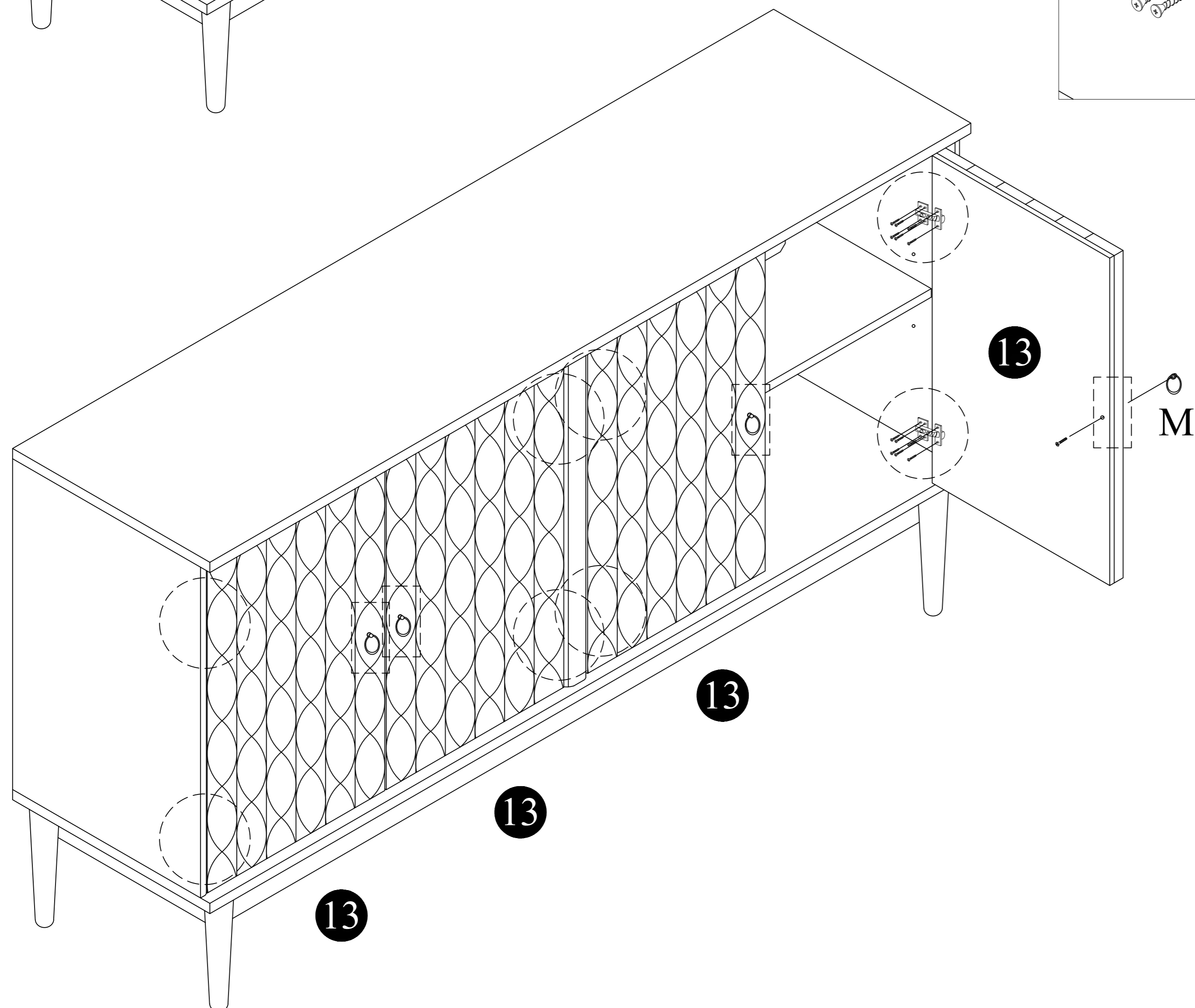
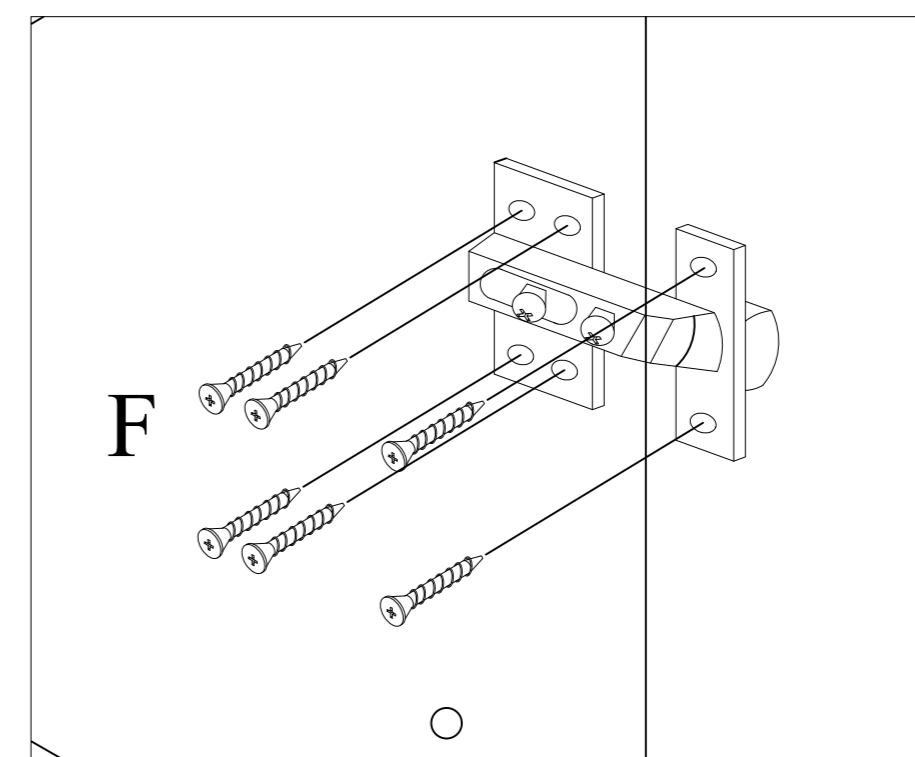
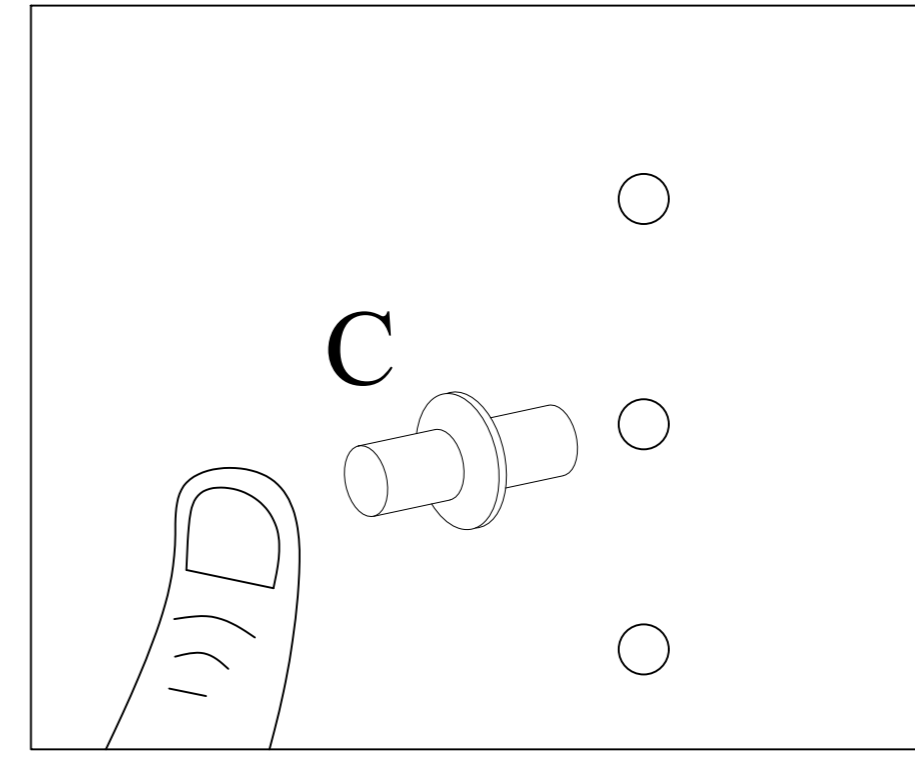
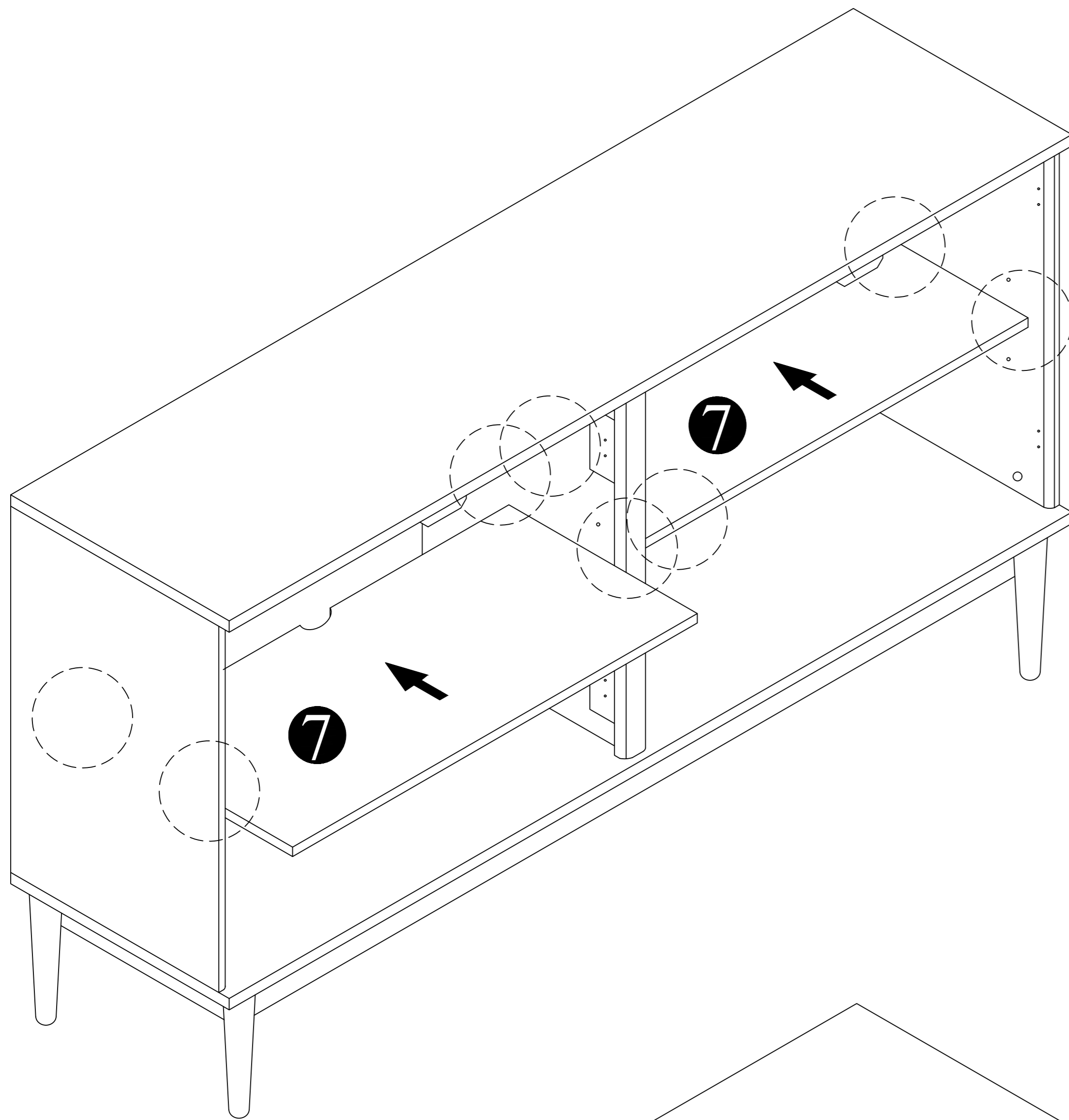


 M4*32mm
D X 12

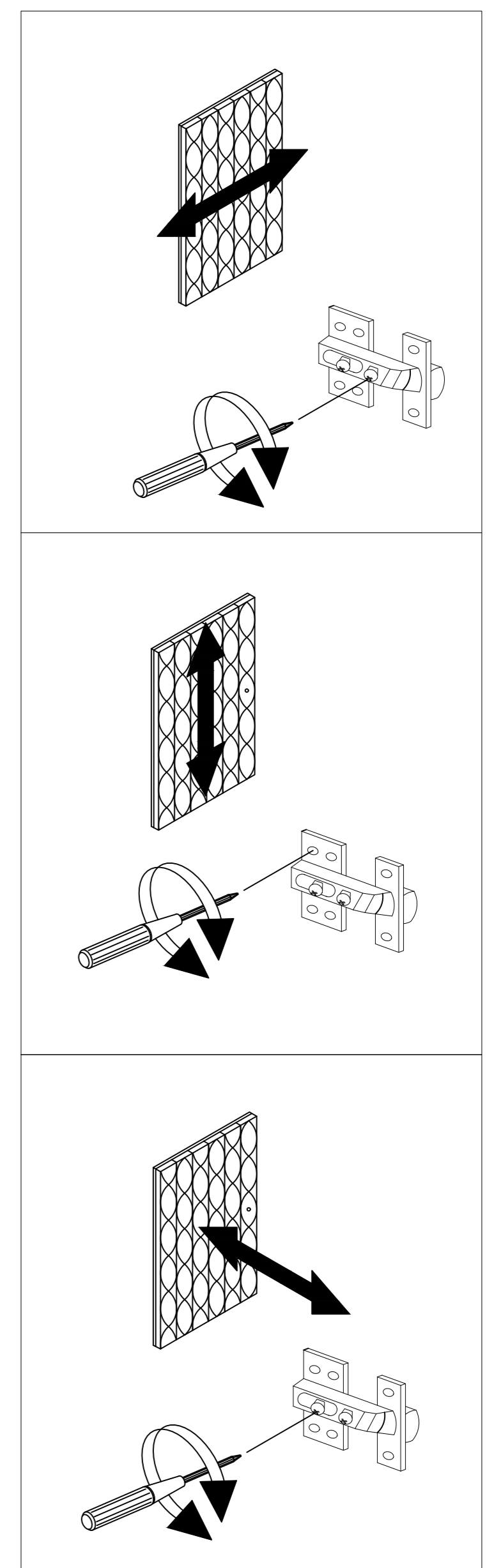
ASSEMBLY INSTRUCTION

Item : N715P183105

Step 8



Door Adjustment

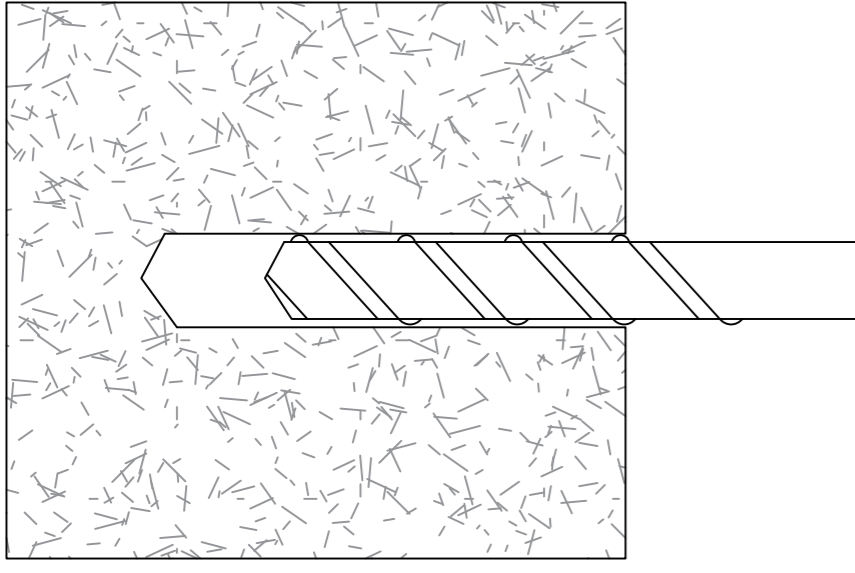


C X 8	E X 8	F X 48	M X 4

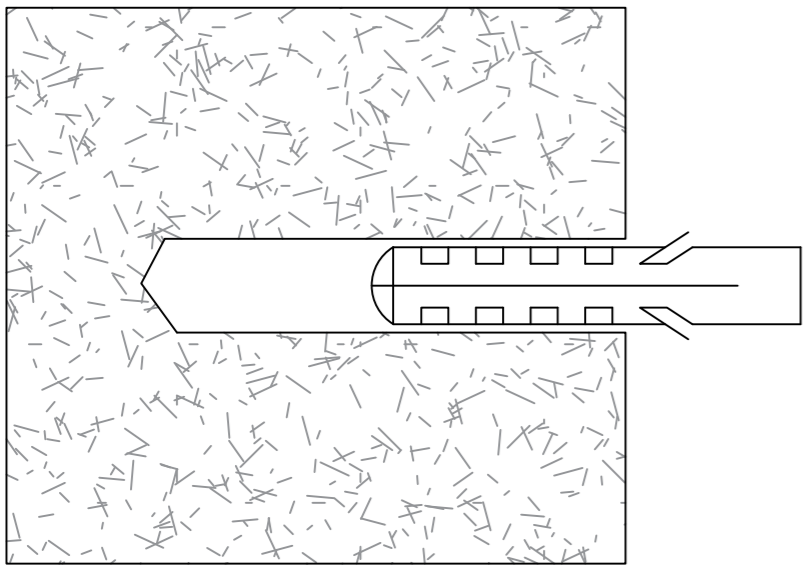
ASSEMBLY INSTRUCTION

Item : N715P183105

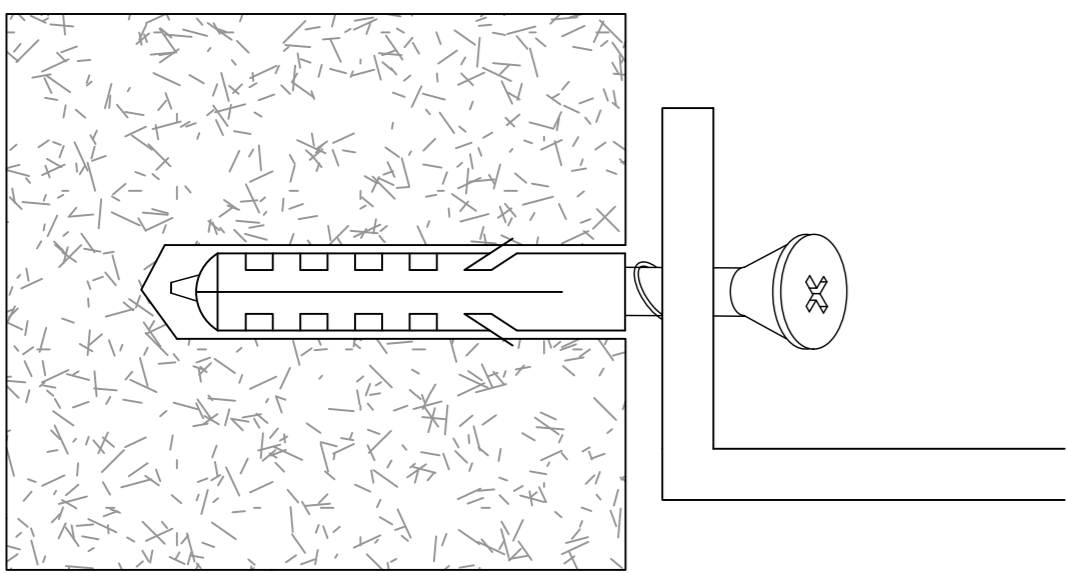
ANCHORING CABINET



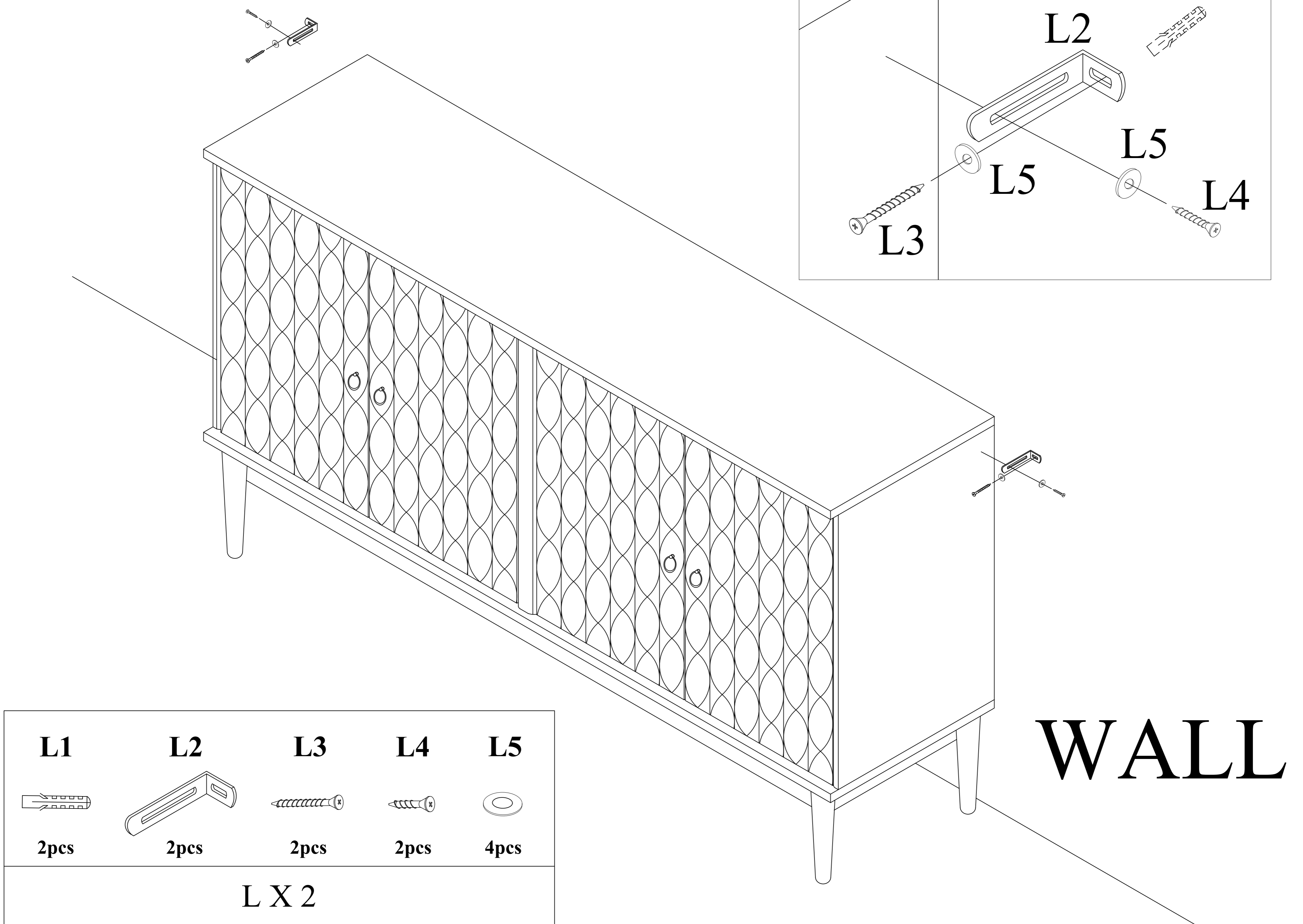
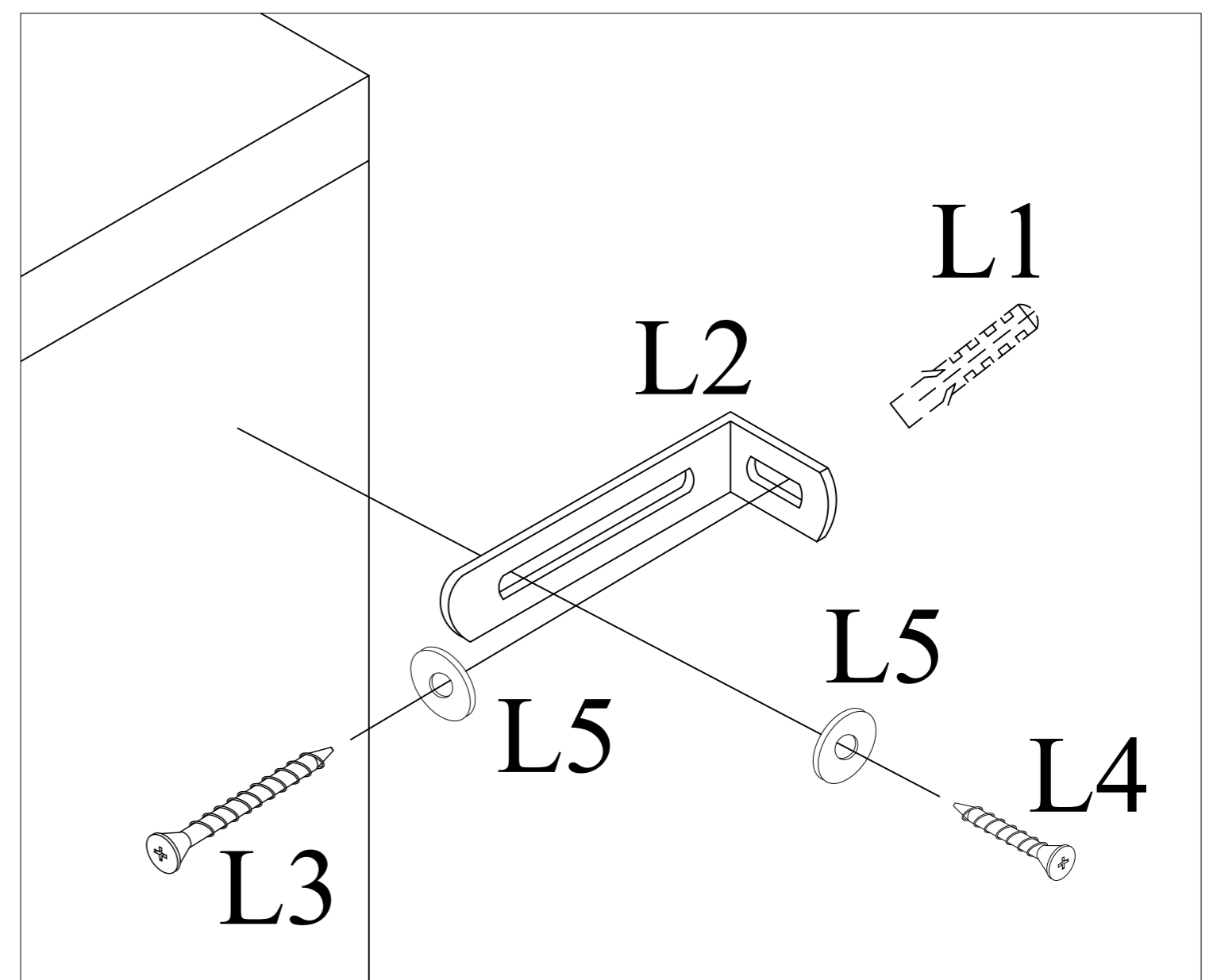
1. Use electric drill to drill a hole on the wall, the diameter and depth need to keep same with wall plug (L1) provided (4*30mm)



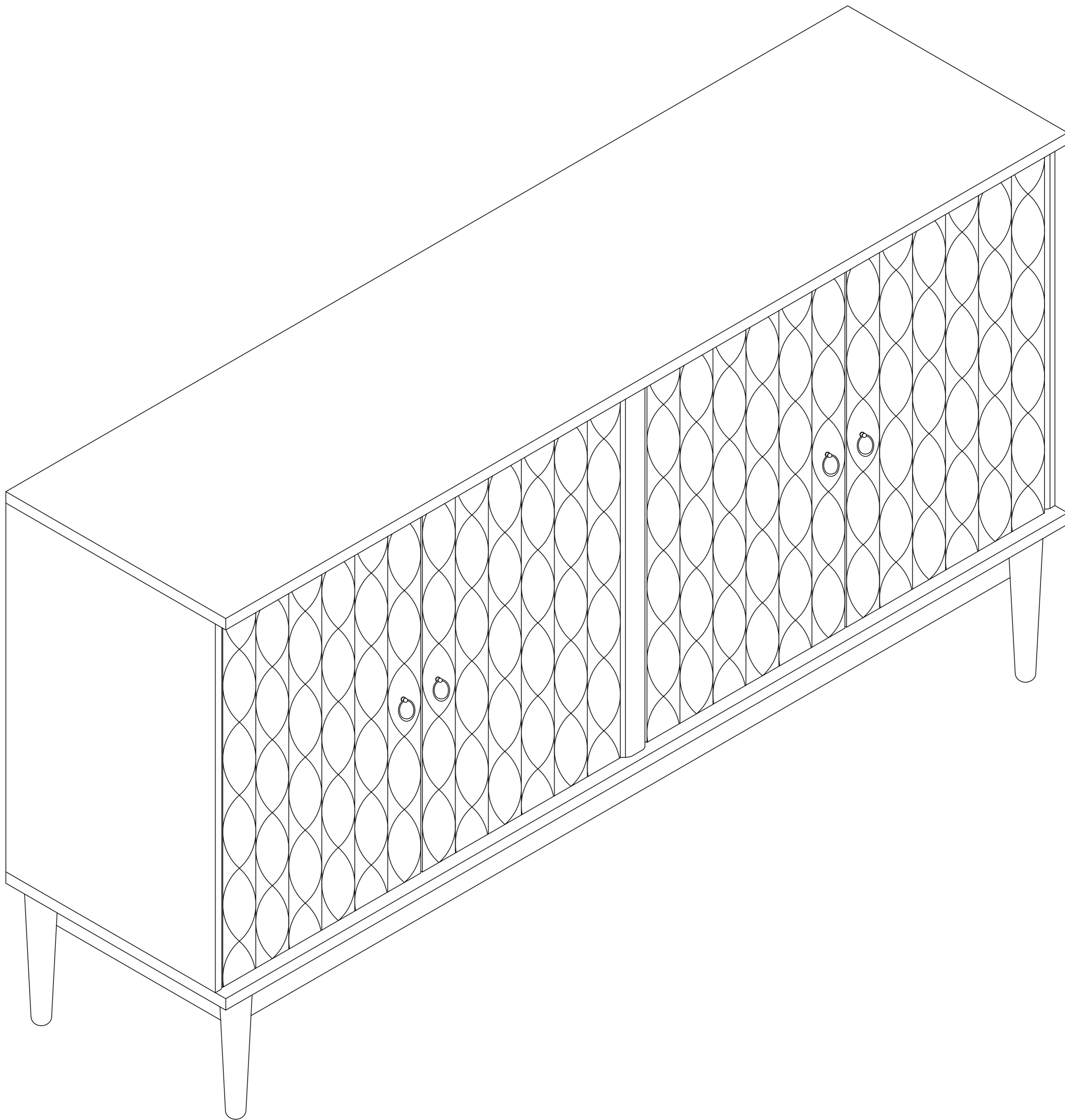
2. Use a rubber hammer to knock wall plug (L1) into the wall



3. Insert the longer screw (L3) through washer (L5) & L bracket (L2) provided as shown below. Attach screw & washer (L4,L5) onto cabinet's sides to hold it.



ASSEMBLY INSTRUCTION
Item : N715P183105



Assembly is complete.