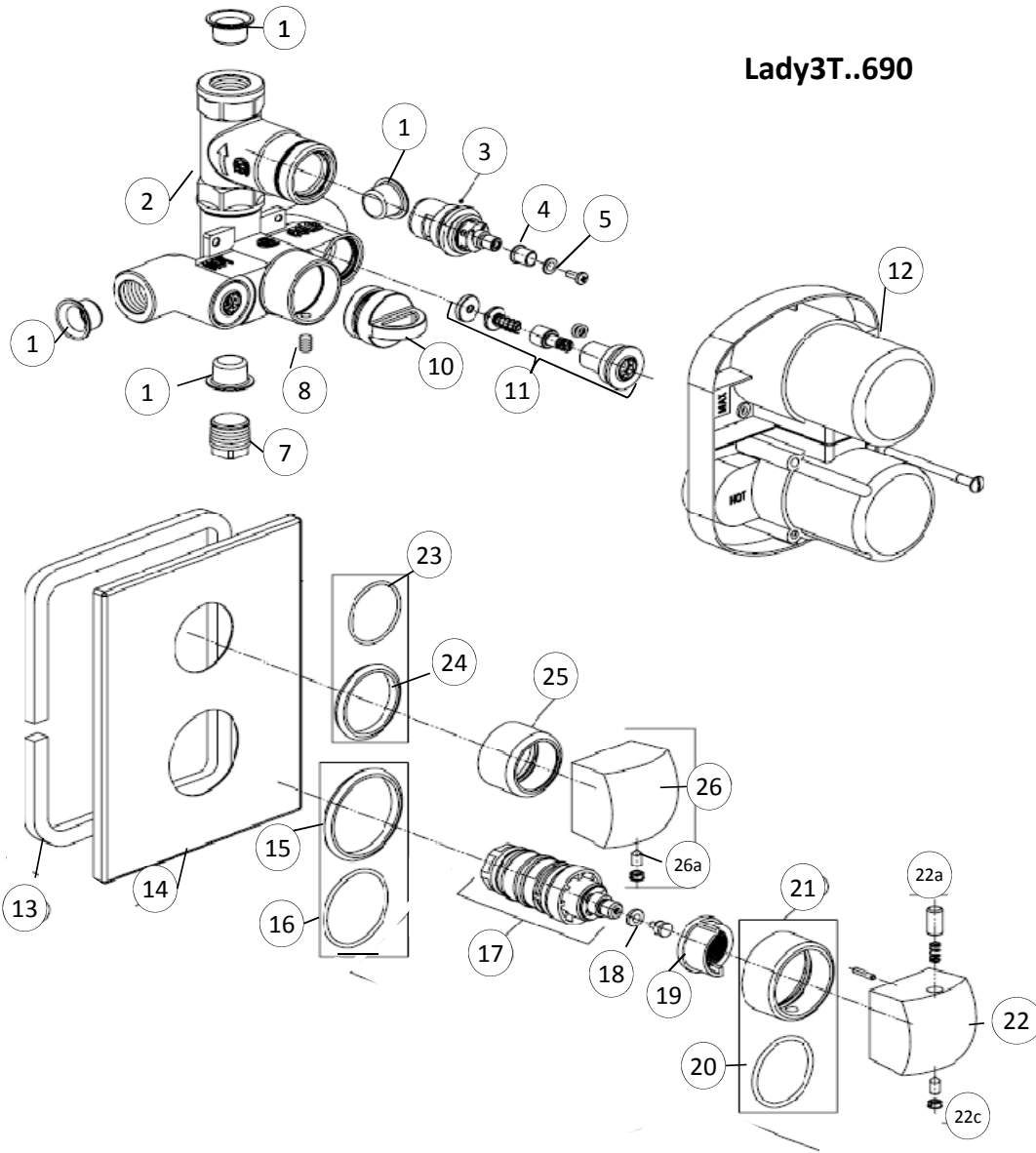


## Lady3T..690



- 1 Plug
- 2 Valve Body
- 3 Volume Control Cartridge
- 4 Handle Adaptor
- 5 Screw
- 7 Bottom Plug
- 8 Grub Screw
- 10 Plug

- 11 Integral Stop
- 12 Rough In Cover
- 13 Face Plate Gasket
- 14 Face Plate
- 15 Thermo Decoration Ring
- 16 Thermo Control Gasket
- 17 Thermostatic Cartridge
- 18 Handle Adaptor
- 19 Stop Device
- 20 O Ring

- 21 Thermo Sleeve
- 22 Complete Thermo Handle
- 22a Lever & Grub Screw
- 22b Screw Cover
- 23 Volume Control Gasket
- 24 Volume Control Decoration Ring
- 25 Volume Control Sleeve
- 26 Complete Volume Handle
- 26a Set Screw and Cover