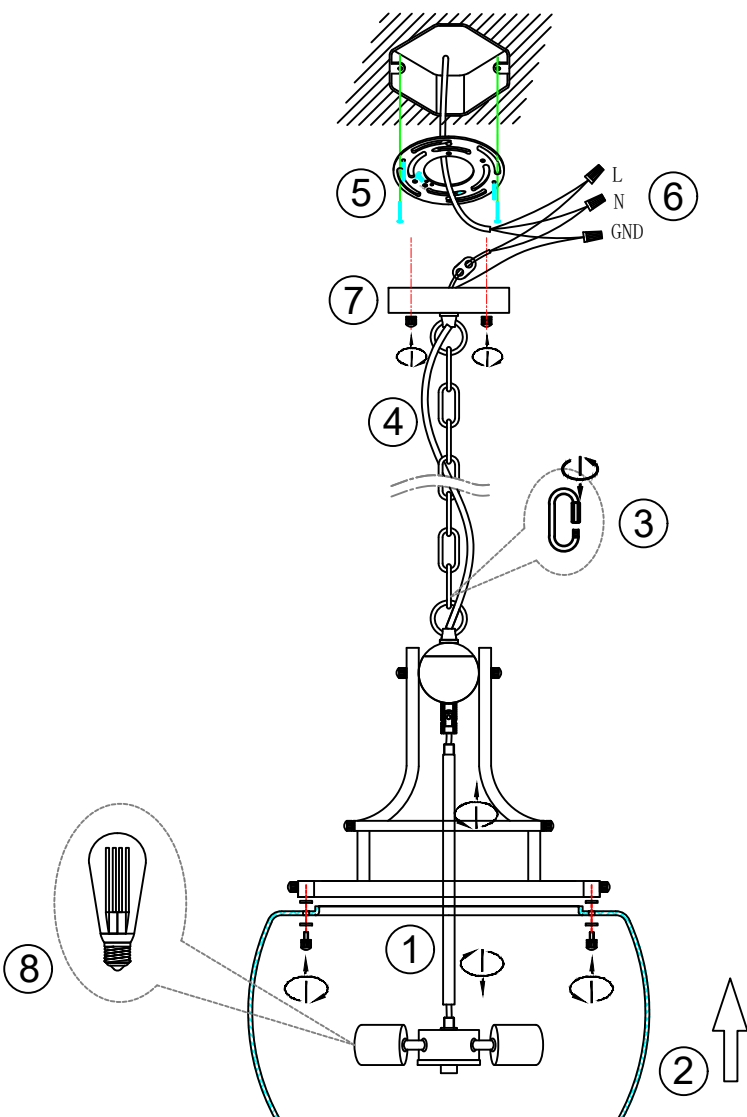


ASSEMBLY AND INSTALLATION INSTRUCTIONS

WARNING: TO AVOID RISK OF ELECTRICAL SHOCK, BE SURE TO SHUT OFF POWER BEFORE INSTALLING OR SERVICING THIS FIXTURE.



Before You Begin:

- Ensure power is turned off at the circuit breaker before installation.
- Read all instructions carefully.
- Installation should be performed by a qualified electrician if you are unfamiliar with wiring.

Step-by-Step Installation:

Step 1: Assemble Downrod and Fixture Body

Feed the fixture wires through the downrod and then through the decorative center sphere.

Securely fasten the downrod to both the center base and the decorative sphere to complete the fixture body.

Step 2: Attach Glass Shade(s)

Secure the glass shade to the fixture body using the decorative nuts provided. Do not overtighten to avoid damaging the glass.

Step 3: Adjust Chain and Attach to Fixture

Adjust the chain to the desired hanging height. Use the locking hook (carabiner) to attach the chain to the hanging ring on the decorative sphere. Ensure the hook is properly tightened.

Step 4: Route the Wires Through the Chain and Canopy

Thread the fixture wires through the chain links and up through the ceiling canopy.

Then, guide the wires through the included wire strain relief to keep them secure (see diagram for reference).

Step 5: Use the mounting screws to secure the mounting bracket to the ceiling junction box.

Step 6: Wiring the Fixture:

- Connect the live wire (Black) from the fixture to the live wire (+) from the power source using a wire nut.

- Connect the neutral wire (White) from the fixture to the neutral wire (-) from the power source using a wire nut.

* Ensure no exposed wires are visible to prevent electrical hazards.

- Secure the fixture ground wire to the mounting bracket using the green ground screw and connect it to the external ground wire.

Step 7: Lift the canopy to cover the mounting bracket and secure it in place by tightening the decorative nuts.

Step 8: Install the light bulbs. (Bulb Not Included)

Safety Instructions:

To avoid fire, shock, and serious personal injury, follow all instructions carefully.

1. Do not install or use the light fixture if any part is missing or damaged.
2. To avoid possible electrical shock be sure electricity is turned off at the main fuse or circuit breaker box before wiring.
3. Make certain no bare wires are exposed outside the wire connectors.
4. All wiring must conform to national and local electrical codes.
5. Follow the recommended instructions for the proper method of wiring your new light fixture. If you feel you do not have enough electrical wiring knowledge or experience, have your light fixture installed by a licensed electrician. Any electrical work not described in this manual should be performed by a licensed electrician.