

# ASSEMBLY INSTRUCTIONS



*Fine Furniture for every stage of life*

## Eastern King Bed

# ASSEMBLY INSTRUCTIONS

## ASSEMBLY TIPS:

1. Remove hardware from box and sort by size.
2. Please check to see that all hardware and parts are present prior to start of assembly.
3. Please follow attached instructions in the same sequence as numbered to assure fast & easy assembly.



### WARNING!

1. Don't attempt to repair or modify parts that are broken or defective. Please contact the store immediately.
2. This product is for home use only and not intended for commercial establishments.

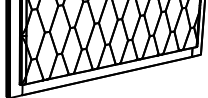
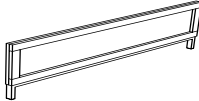






ASSEMBLY TIME

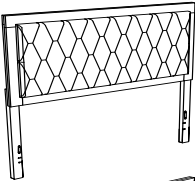
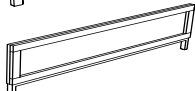
20 MINUTES

## PARTS IDENTIFICATION

### B1 (BOX 1)

A	HEADBOARD PANEL		1PC
B	FOOTBOARD		1PC
C	LEFT HEADBOARD LEG		1PC
D	RIGHT HEADBOARD LEG		1PC
E	BED SLAT		4PCS
F	BED SLAT SUPPORT WITH LEVELER		8PCS

### B2 (BOX 2)

G	BED RAIL		2PCS
HB	FROM BOX 1 HEADBOARD COMPLETE		1PC
B	FROM BOX 1 FOOTBOARD		1PC

# ASSEMBLY INSTRUCTIONS

## ASSEMBLY TIPS:

1. Remove hardware from box and sort by size.
2. Please check to see that all hardware and parts are present prior to start of assembly.
3. Please follow attached instructions in the same sequence as numbered to assure fast & easy assembly.

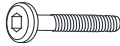







### WARNING!

1. Don't attempt to repair or modify parts that are broken or defective. Please contact the store immediately.
2. This product is for home use only and not intended for commercial establishments.

## HARDWARE IDENTIFICATION

### BOX 1 - HARDWARE PACK

1	<b>BOLT</b> (M6 x 35mm - BLK)		6PCS
2	<b>LOCK WASHER</b> (1/4" - BLK)		6PCS
3	<b>FLAT WASHER</b> (1/4" x 13mm - BLK)		6PCS
4	<b>FLAT HEAD SCREW</b> (M4 x 32mm - RBW)		8PCS
5	<b>SMALL ALLEN WRENCH</b> (M4 x 65mm - BLK)		1PC
6	<b>BIG ALLEN WRENCH</b> (M5 x 65mm - BLK)		1PC

### NOTE:

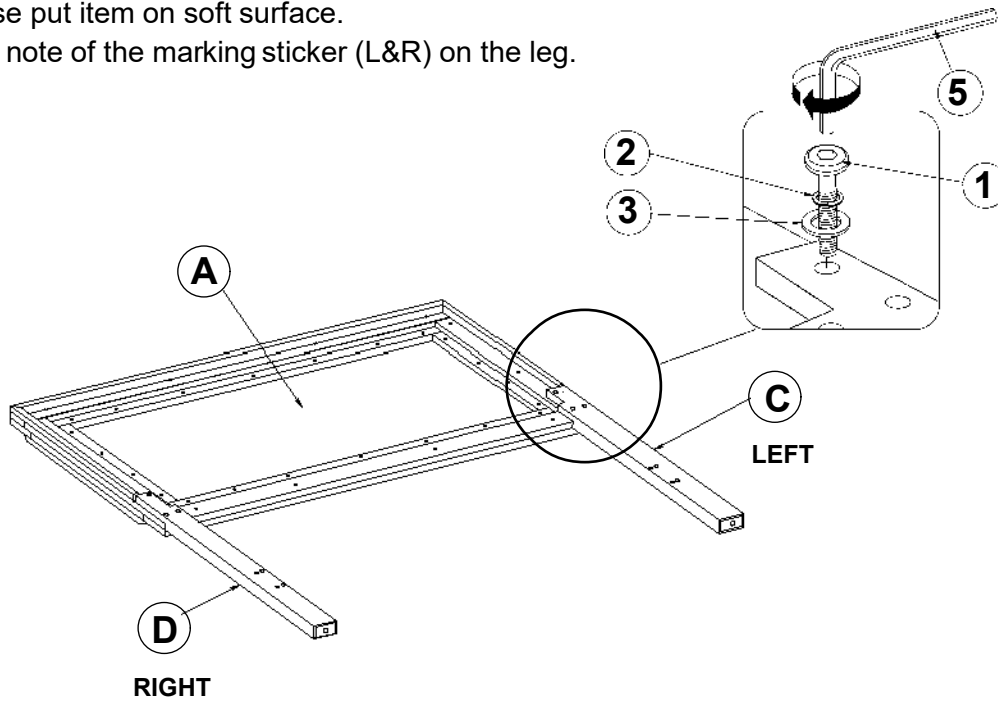
Phillips head screw driver is required in the assembly process; however, manufacturer does not provide this item.

# ASSEMBLY INSTRUCTIONS

## STEP 1

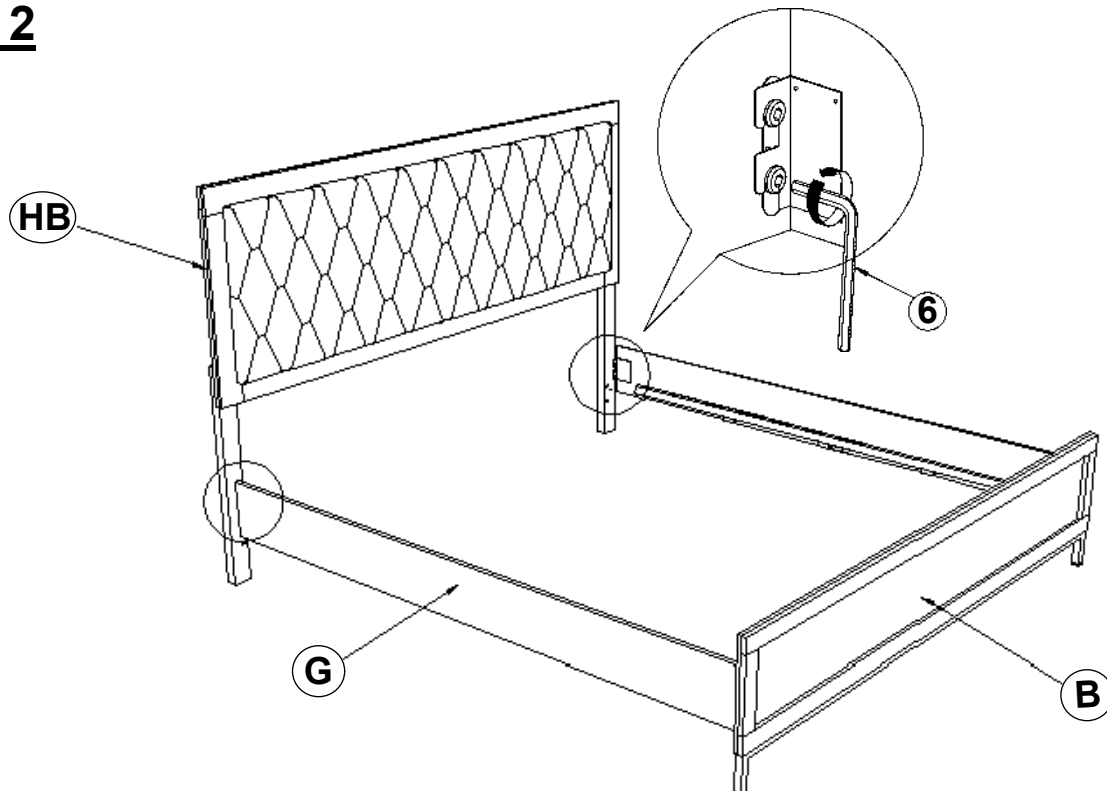
Note : Please put item on soft surface.

Please take note of the marking sticker (L&R) on the leg.



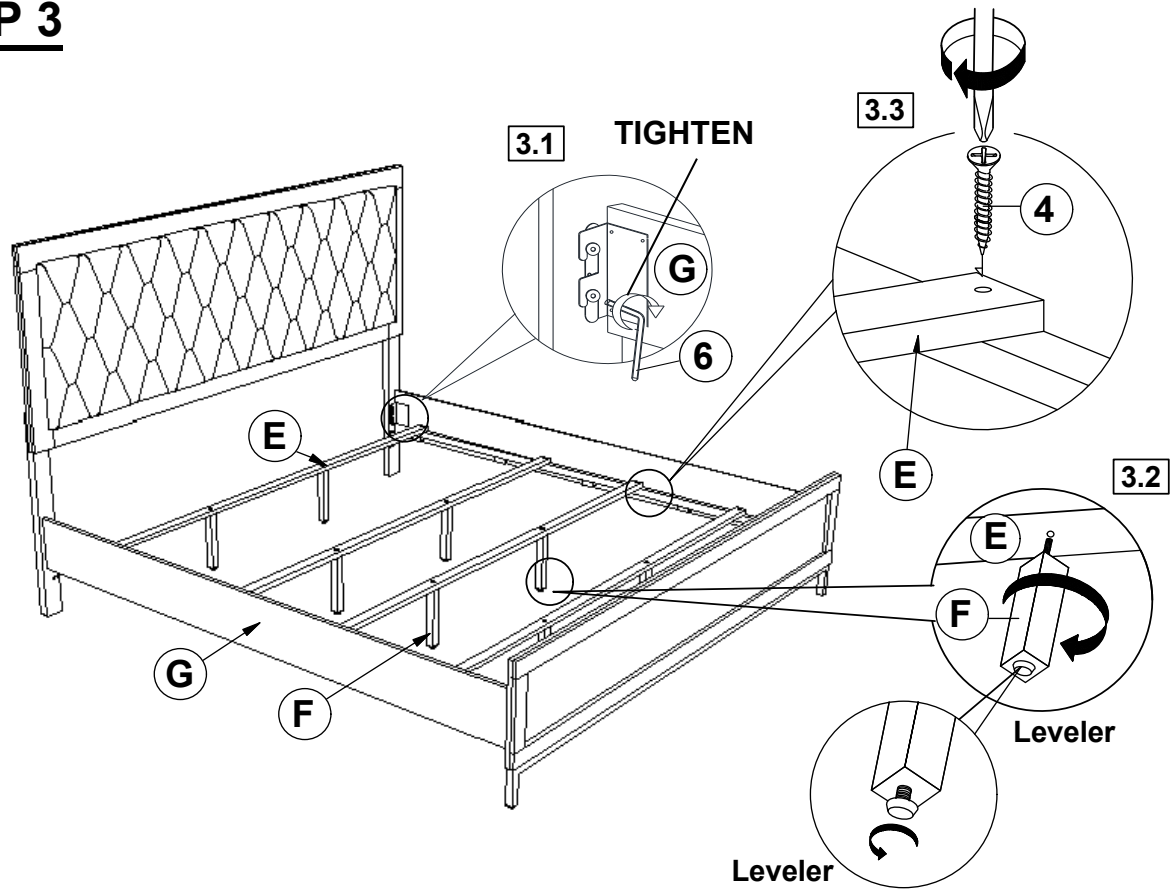
**\*\*BACK VIEW\*\***

## STEP 2

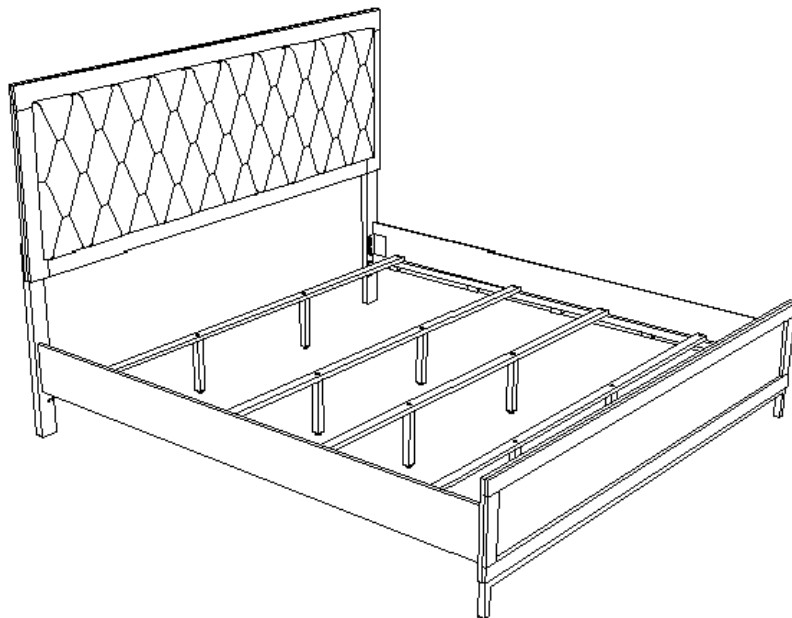


# ASSEMBLY INSTRUCTIONS

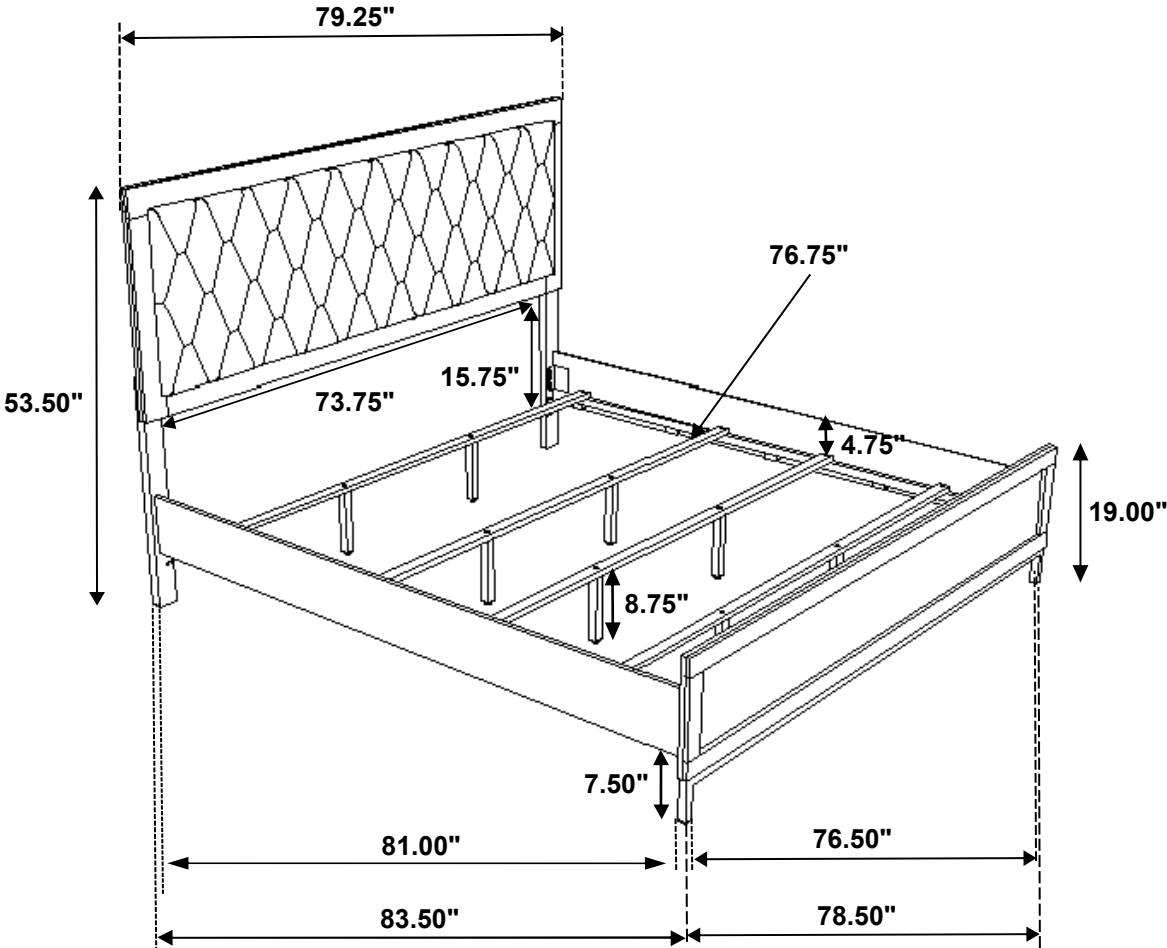
## STEP 3



## STEP 4 **COMPLETE**



Inner Size : 76.50"W x 81.00"D



Note : Dimension tolerance  $\pm 5\%$

# ASSEMBLY INSTRUCTIONS



*Fine Furniture for every stage of life*

**Nightstand**

# ASSEMBLY INSTRUCTIONS

## ASSEMBLY TIPS:

1. Remove hardware from box and sort by size.
2. Please check to see that all hardware and parts are present prior to start of assembly.
3. Please follow attached instructions in the same sequence as numbered to assure fast & easy assembly.



### WARNING!

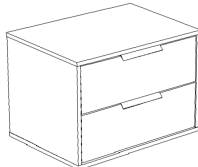
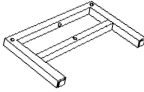
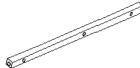

1. Don't attempt to repair or modify parts that are broken or defective. Please contact the store immediately.
2. This product is for home use only and not intended for commercial establishments.







ASSEMBLY TIME

15 MINUTES

## PARTS IDENTIFICATION

A	NIGHTSTAND		1PC
B	LEG FRAME		2PCS
C	UPPER CROSSBAR		2PCS
D	LOWER CROSSBAR		1PC

## HARDWARE IDENTIFICATION

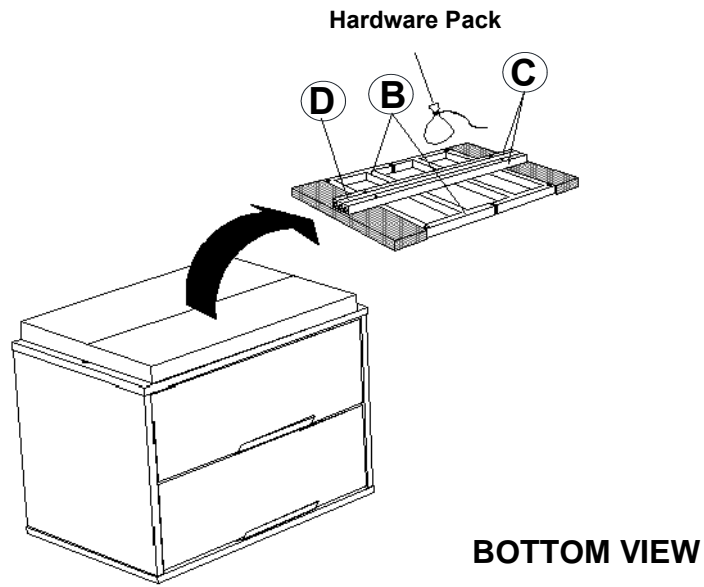
1	LONG BOLT (M6 x 40mm - BLK)		6PCS
2	SHORT BOLT (M6 x 30mm - BLK)		2PCS
3	ALLEN WRENCH (M4 x 60mm - BLK)		1PC
4	PAN HEAD SCREW (M4 x 32mm - BLK)		4PCS

### NOTE:

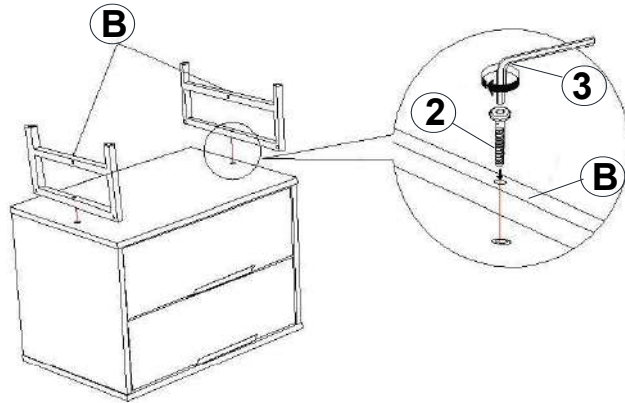
Phillips head screw driver is required in the assembly process; however, manufacturer does not provide this item.

# ASSEMBLY INSTRUCTIONS

## STEP 1

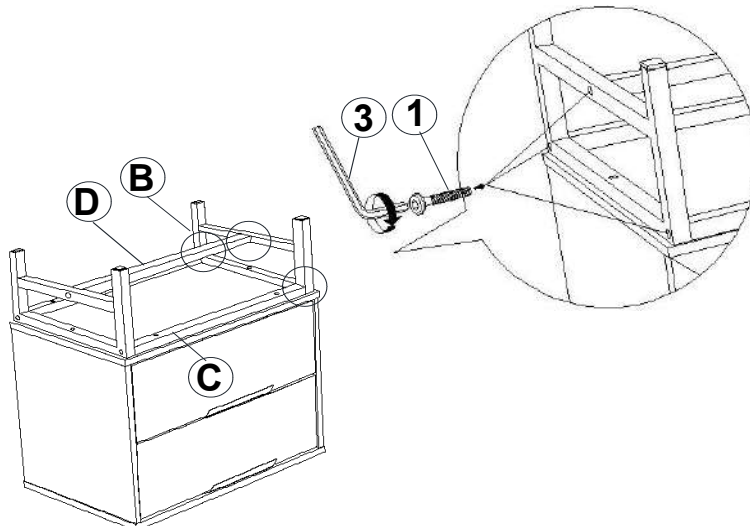


## STEP 2



NOTE: DO NOT FULLY TIGHTEN IN THIS STEP.

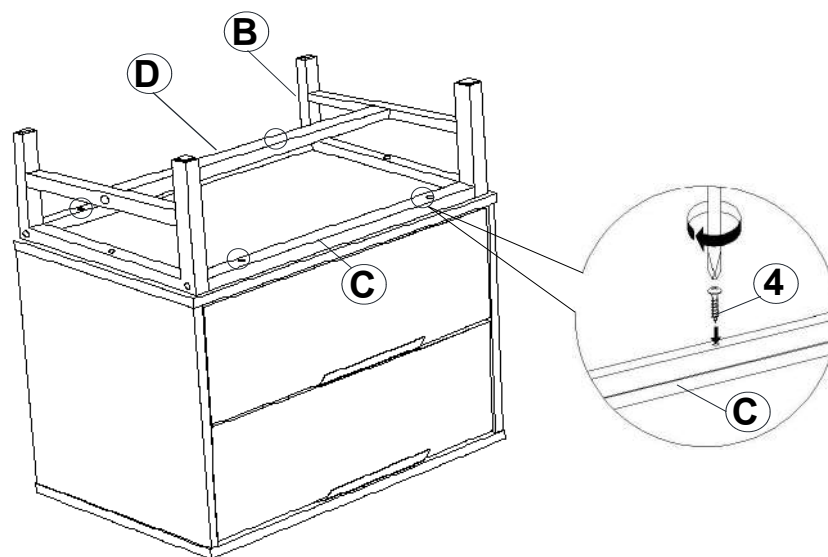
## STEP 3



NOTE: FULLY TIGHTEN IN THIS STEP.

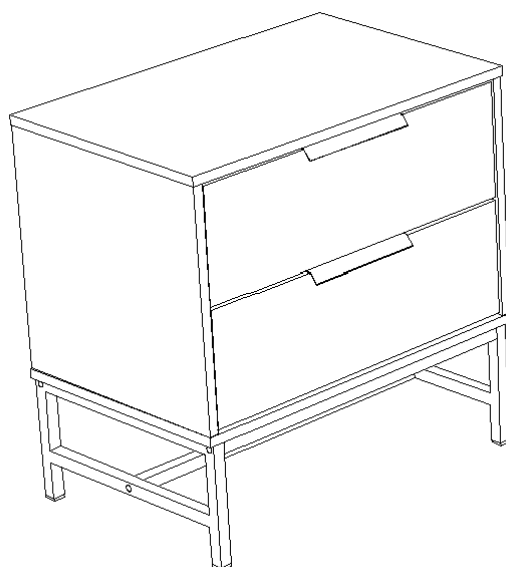
# ASSEMBLY INSTRUCTIONS

## STEP 4

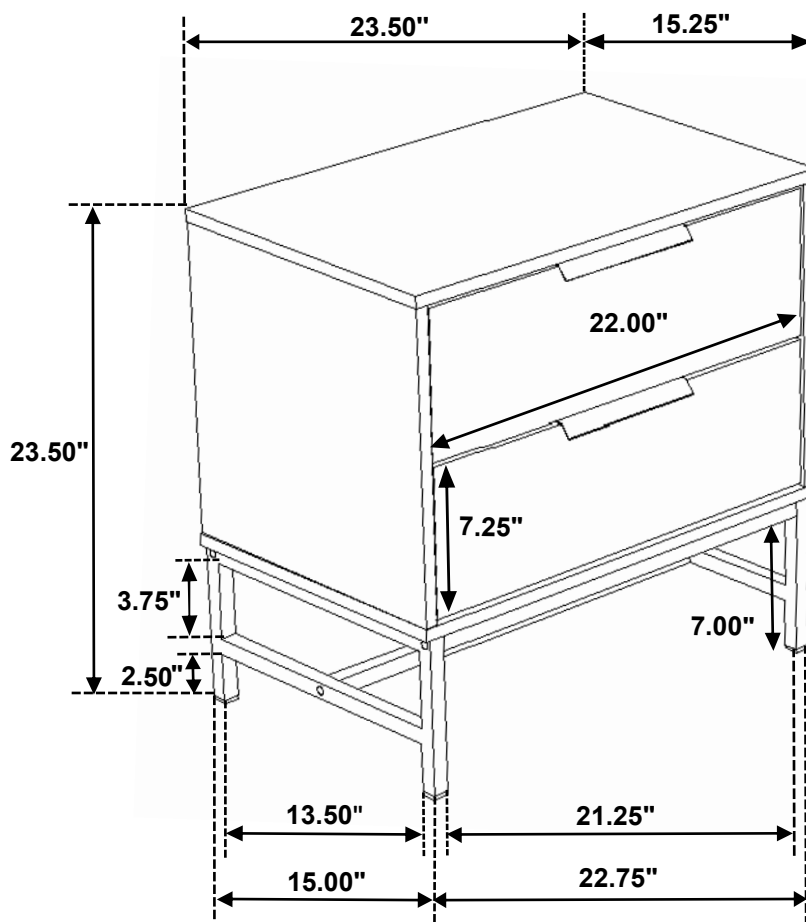


NOTE: FULLY TIGHTEN IN THIS STEP.

## STEP 5 COMPLETE



**Inner Size of Drawer : 20.50"W x 11.00"D x 3.25"H x 0.25"T**



**Note : Dimension tolerance  $\pm 5\%$**

# ASSEMBLY INSTRUCTIONS



*Fine Furniture for every stage of life*

**Dresser**

# ASSEMBLY INSTRUCTIONS

## ASSEMBLY TIPS:

1. Remove hardware from box and sort by size.
2. Please check to see that all hardware and parts are present prior to start of assembly.
3. Please follow attached instructions in the same sequence as numbered to assure fast & easy assembly.



### WARNING!





1. Don't attempt to repair or modify parts that are broken or defective. Please contact the store immediately.
2. This product is for home use only and not intended for commercial establishments.




ASSEMBLY TIME

15 MINUTES

## PARTS IDENTIFICATION

A	DRESSER		1PC
B	LEG FRAME		1PC
C	UPPER CROSSBAR		2PCS
D	LOWER CROSSBAR		1PC

## HARDWARE IDENTIFICATION

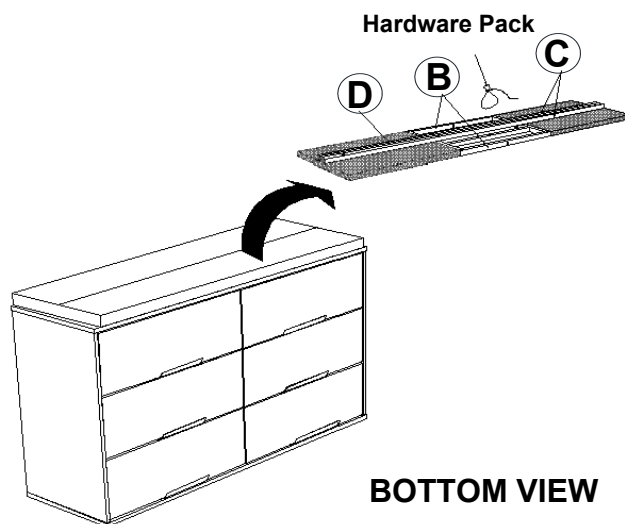
1	LONG BOLT (M6 x 40mm - BLK)		6PCS
2	SHORT BOLT (M6 x 30mm - BLK)		2PCS
3	ALLEN WRENCH (M4 x 60mm - BLK)		1PC
4	PAN HEAD SCREW (M4 x 32mm - BLK)		8PCS

### NOTE:

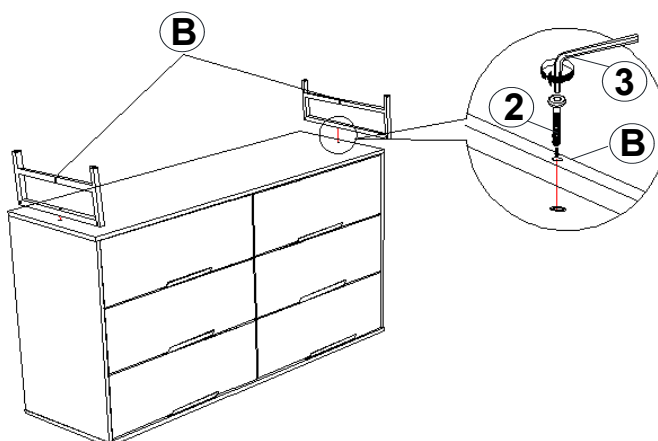
Phillips head screw driver is required in the assembly process; however, manufacturer does not provide this item.

# ASSEMBLY INSTRUCTIONS

## STEP 1

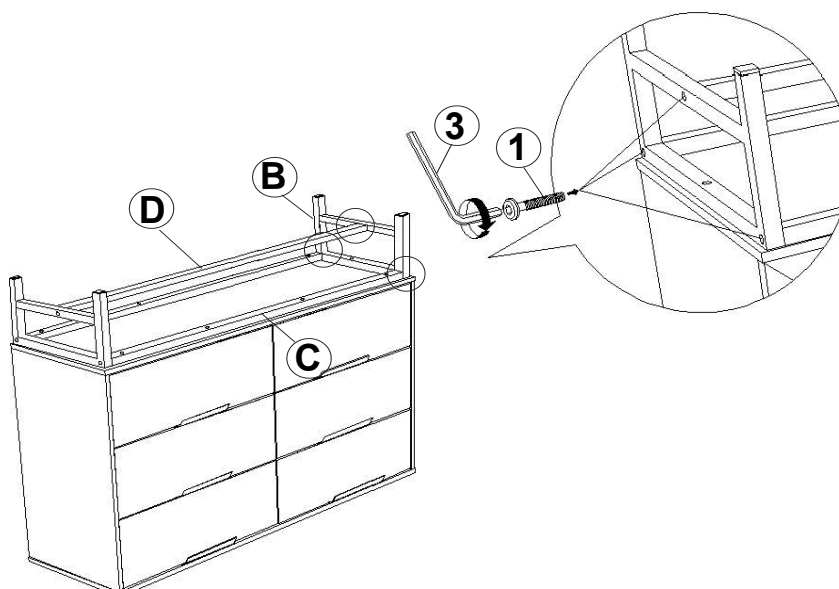


## STEP 2



NOTE: DO NOT FULLY TIGHTEN IN THIS STEP.

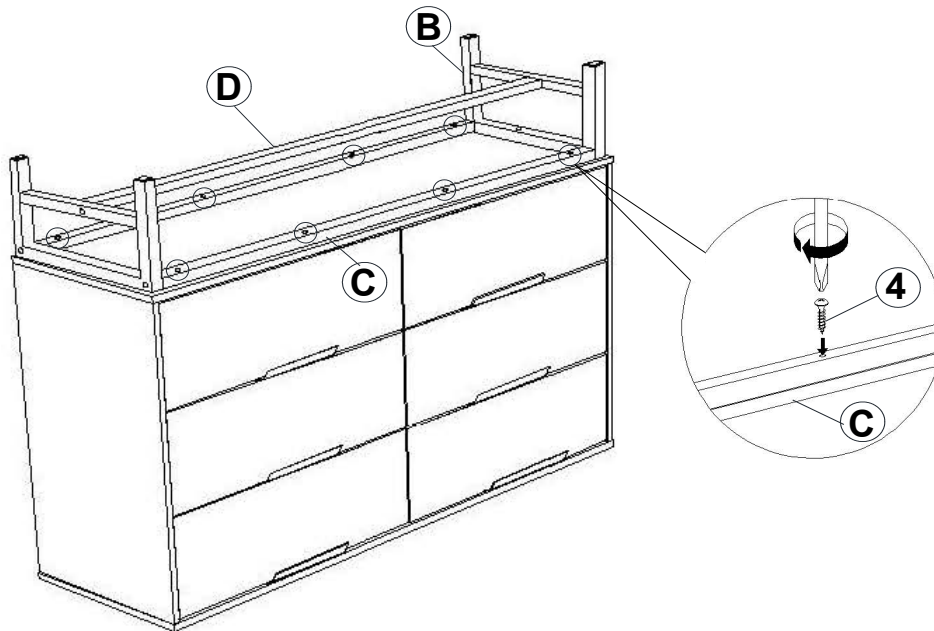
## STEP 3



NOTE: FULLY TIGHTEN IN THIS STEP.

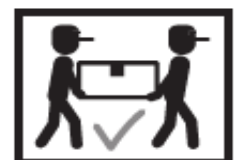
# ASSEMBLY INSTRUCTIONS

## STEP 4

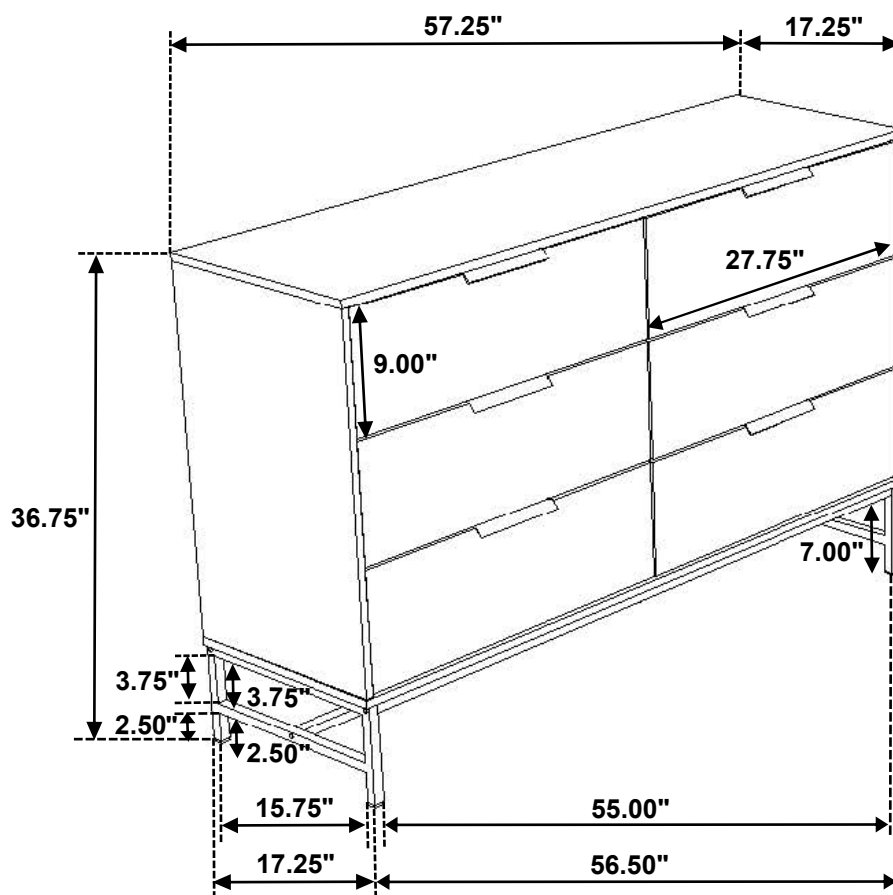


NOTE: FULLY TIGHTEN IN THIS STEP.

## STEP 5 COMPLETE



**Inner Size of Drawer : 25.75"W x 11.25"D x 5.25"H x 0.25"H**



**Note : Dimension tolerance  $\pm 5\%$**

# ASSEMBLY INSTRUCTIONS



*Fine Furniture for every stage of life*

**Mirror**

# ASSEMBLY INSTRUCTIONS

## ASSEMBLY TIPS:

1. Remove hardware from box and sort by size.
2. Please check to see that all hardware and parts are present prior to start of assembly.
3. Please follow attached instructions in the same sequence as numbered to assure fast & easy assembly.



### WARNING!

1. Don't attempt to repair or modify parts that are broken or defective. Please contact the store immediately.
2. This product is for home use only and not intended for commercial establishments.

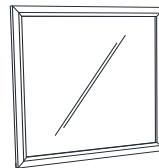


ASSEMBLY TIME

15 MINUTES

## PARTS IDENTIFICATION

A MIRROR



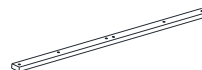
1PC

B DRESSER



1PC

C MIRROR SUPPORT  
(PACKED WITH DRESSER)



2PCS

## HARDWARE IDENTIFICATION

1 FLAT HEAD SCREW  
(M4 x 32mm - RBW)



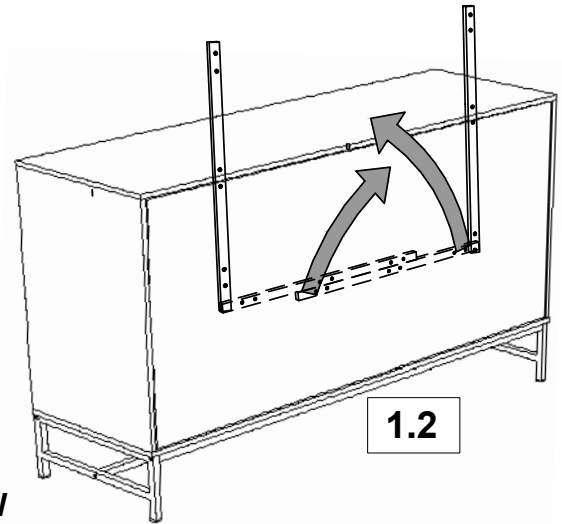
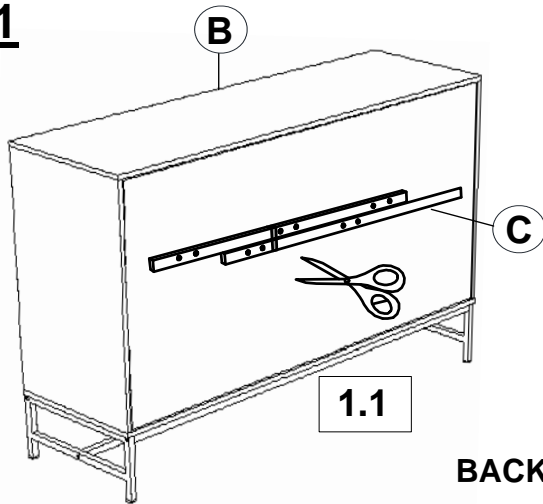
10PCS

### NOTE:

Phillips head screw driver is required in the assembly process; however, manufacturer does not provide this item.

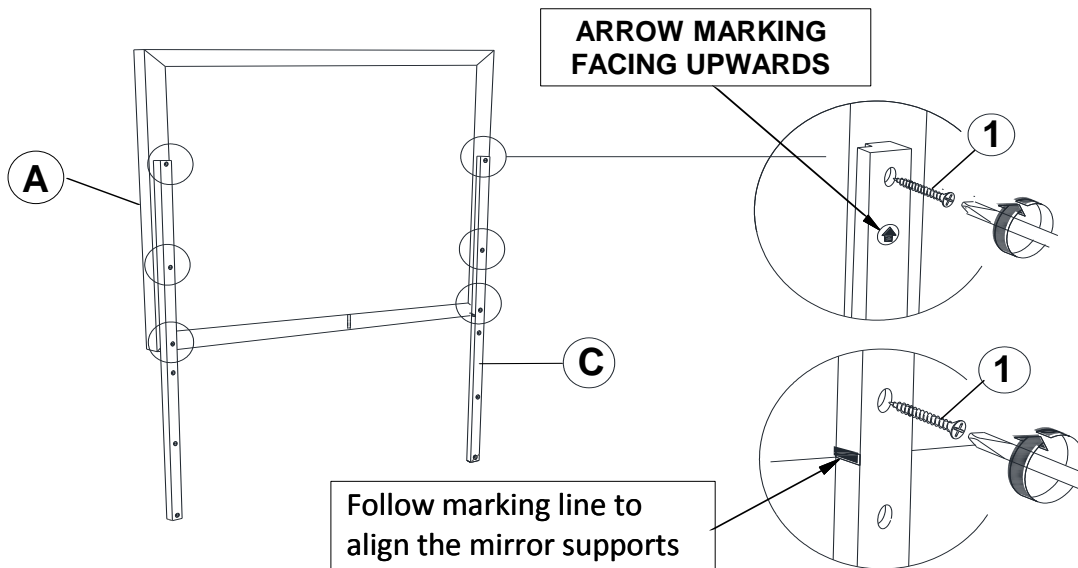
# ASSEMBLY INSTRUCTIONS

## STEP 1

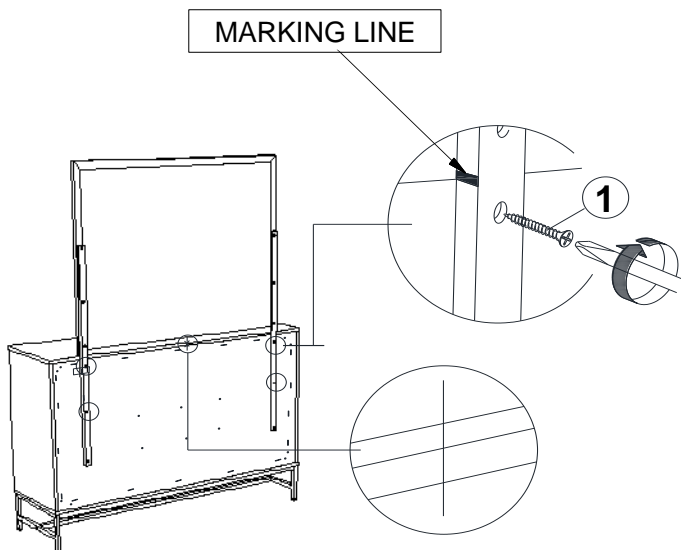


BACK VIEW

## STEP 2

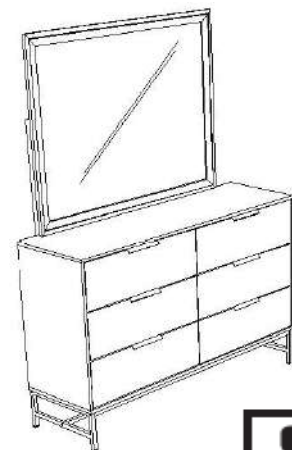


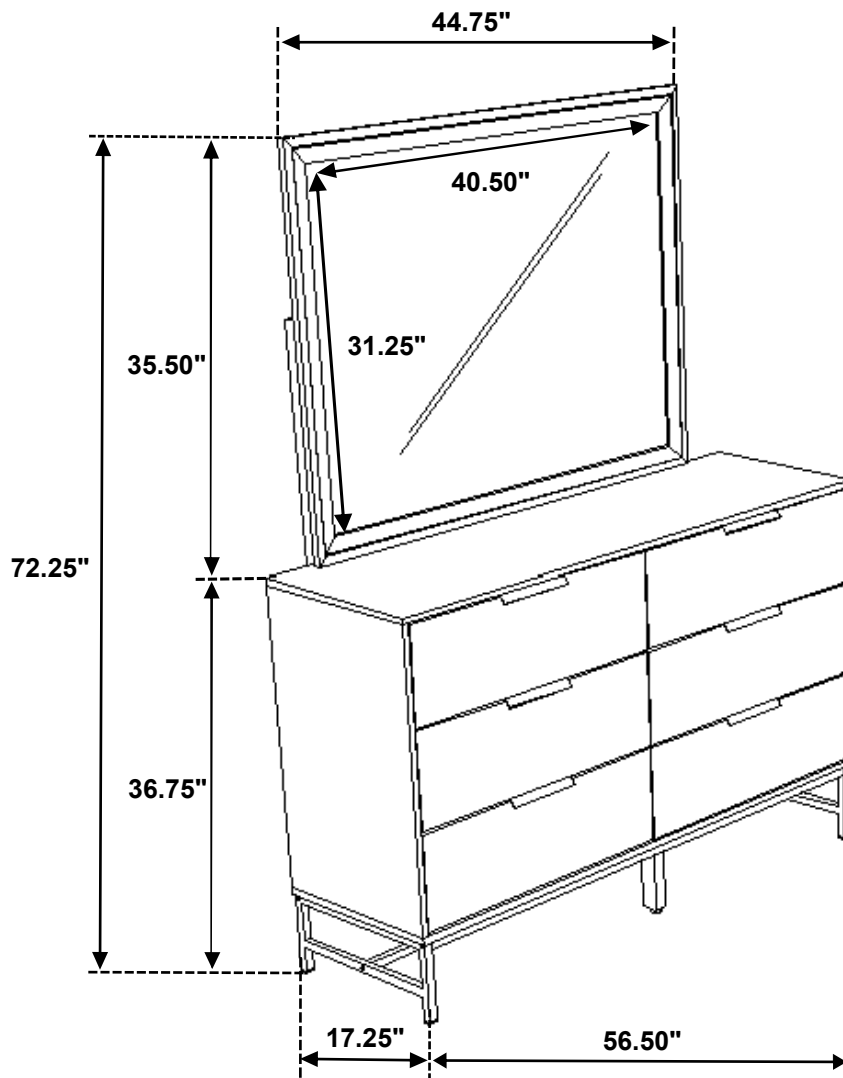
## STEP 3



REMARK:  
LINE MARKING MUST BE ALIGNED

## STEP 4 COMPLETE





**Note : Dimension tolerance  $\pm 5\%$**