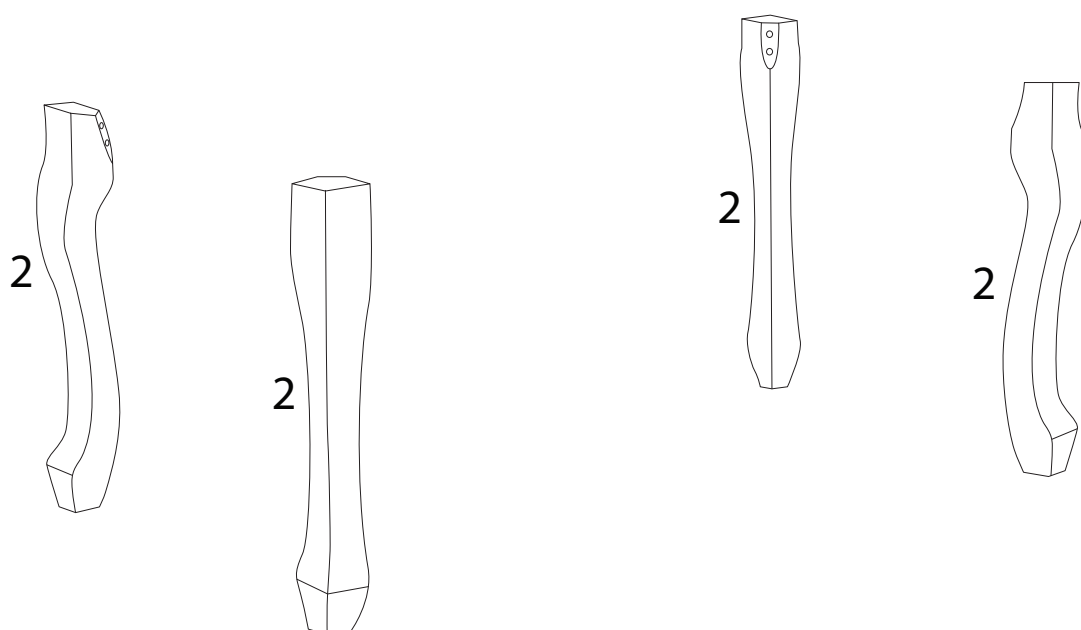
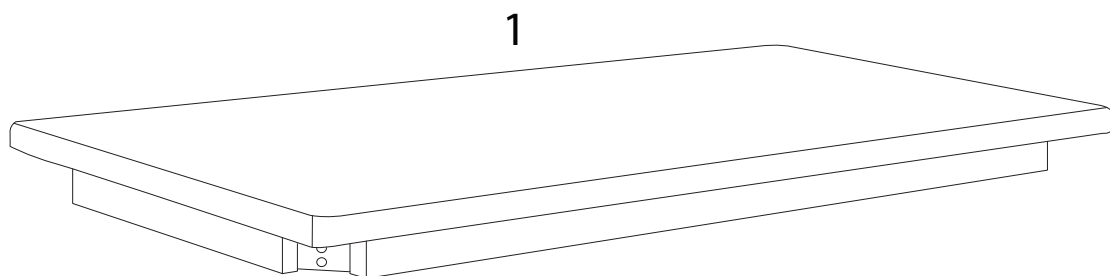

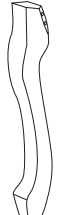
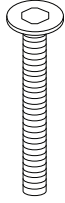
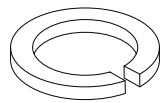
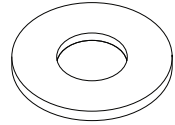
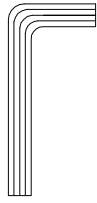




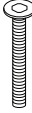
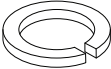
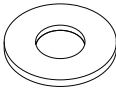
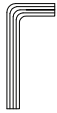
Diagram illustrating assembly instructions and safety warnings:

- Top Warning:** A warning triangle (exclamation mark) is connected by a vertical line to a box containing:
 - An icon of an L-shaped metal bracket.
 - An icon of a power drill with a diagonal slash through it, indicating that a power drill should not be used.
- Time:** A clock icon is shown next to the text "20'", indicating an estimated assembly time of 20 minutes.
- Bottom Warning:** A warning triangle (exclamation mark) is connected by a vertical line to a box containing:
 - An icon of a rectangular block being placed on a textured surface.
 - An icon of a rectangular block with a diagonal slash through it, indicating that the block should not be placed on a soft or uneven surface.
- Person Icon:** A simple stick figure icon representing a person, with the number "1" below it, indicating that one person is required for assembly.



1	2	A	B	C	D
					
x 1	x 4	M6 x 45 x 8	x 8	x 8	x 1

1

<p>1</p>  <p>x 1</p>	<p>2</p>  <p>x 4</p>	<p>A</p>  <p>M6 x 45</p> <p>x 8</p>	<p>B</p>  <p>x 8</p>	<p>C</p>  <p>x 8</p>	<p>D</p>  <p>x 1</p>
---	---	--	--	---	---

