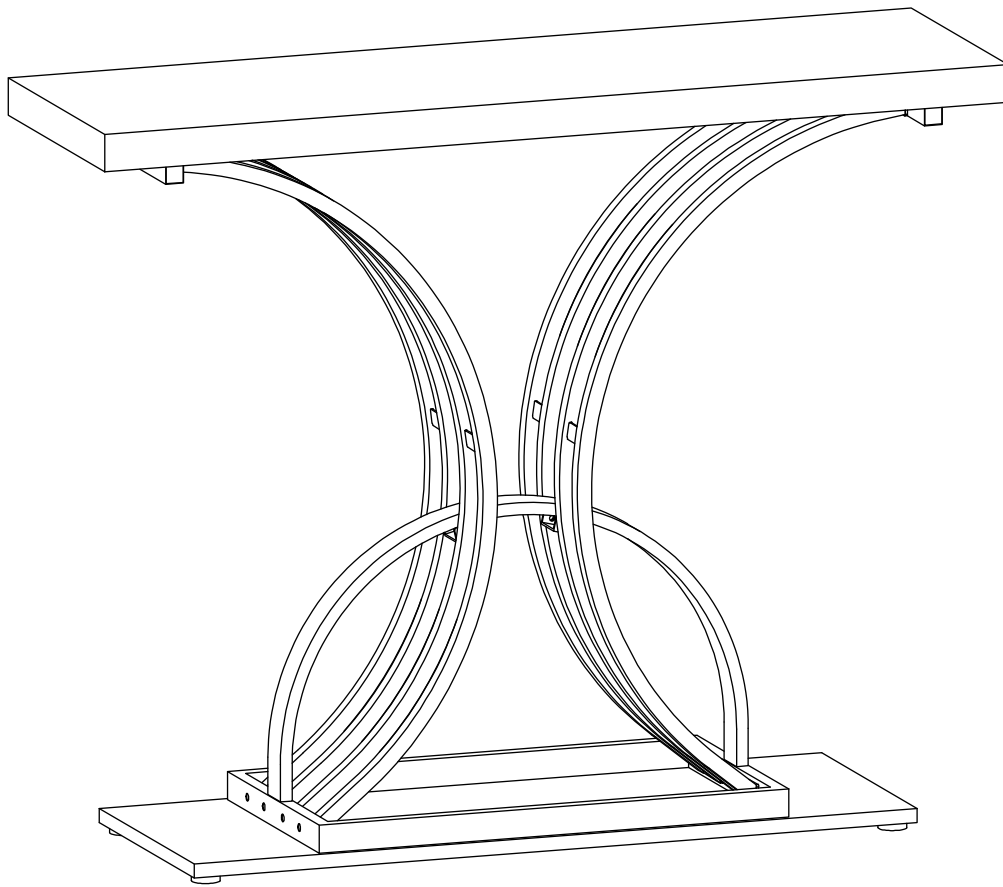
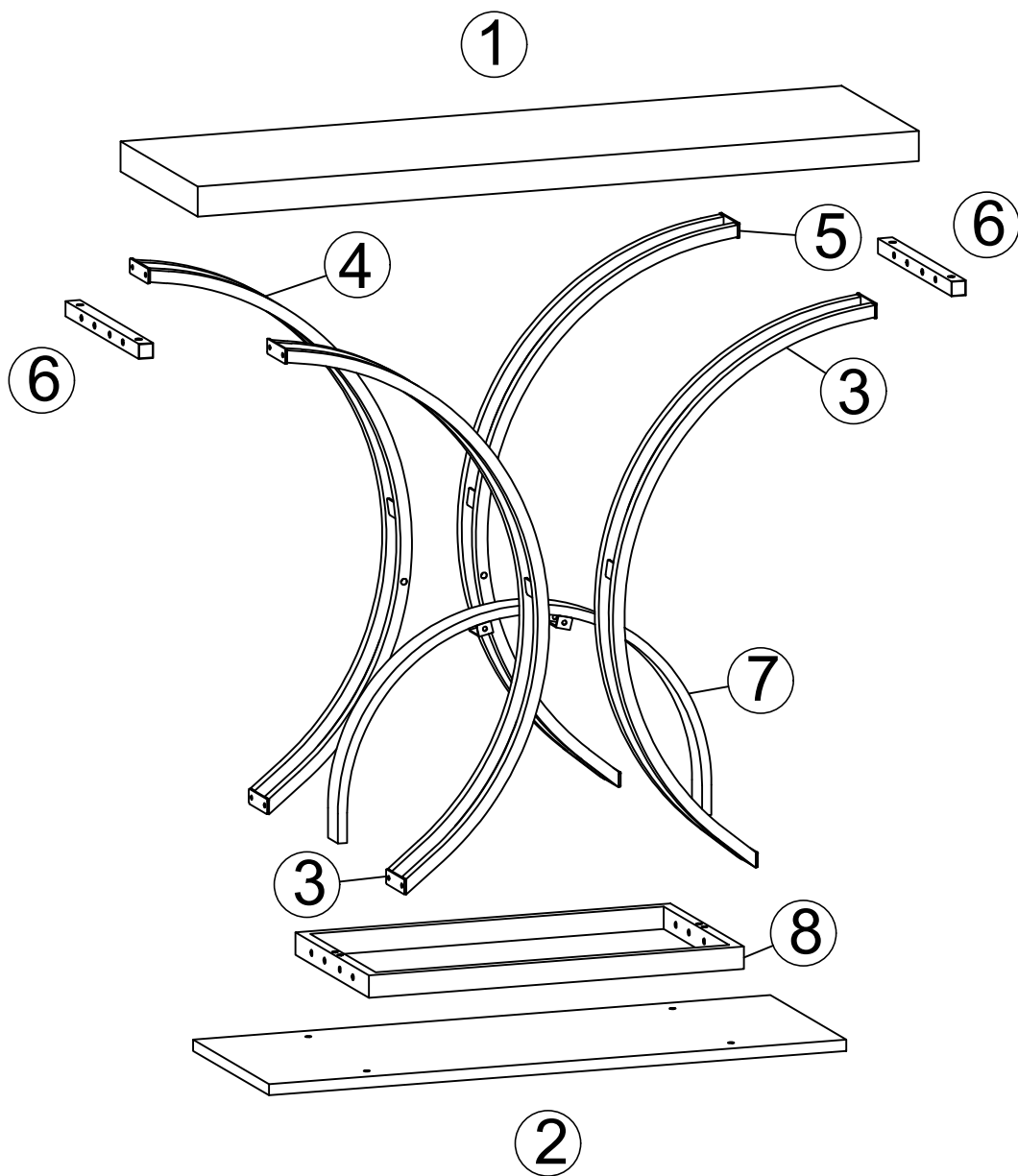





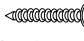





ASSEMBLY INSTRUCTIONS



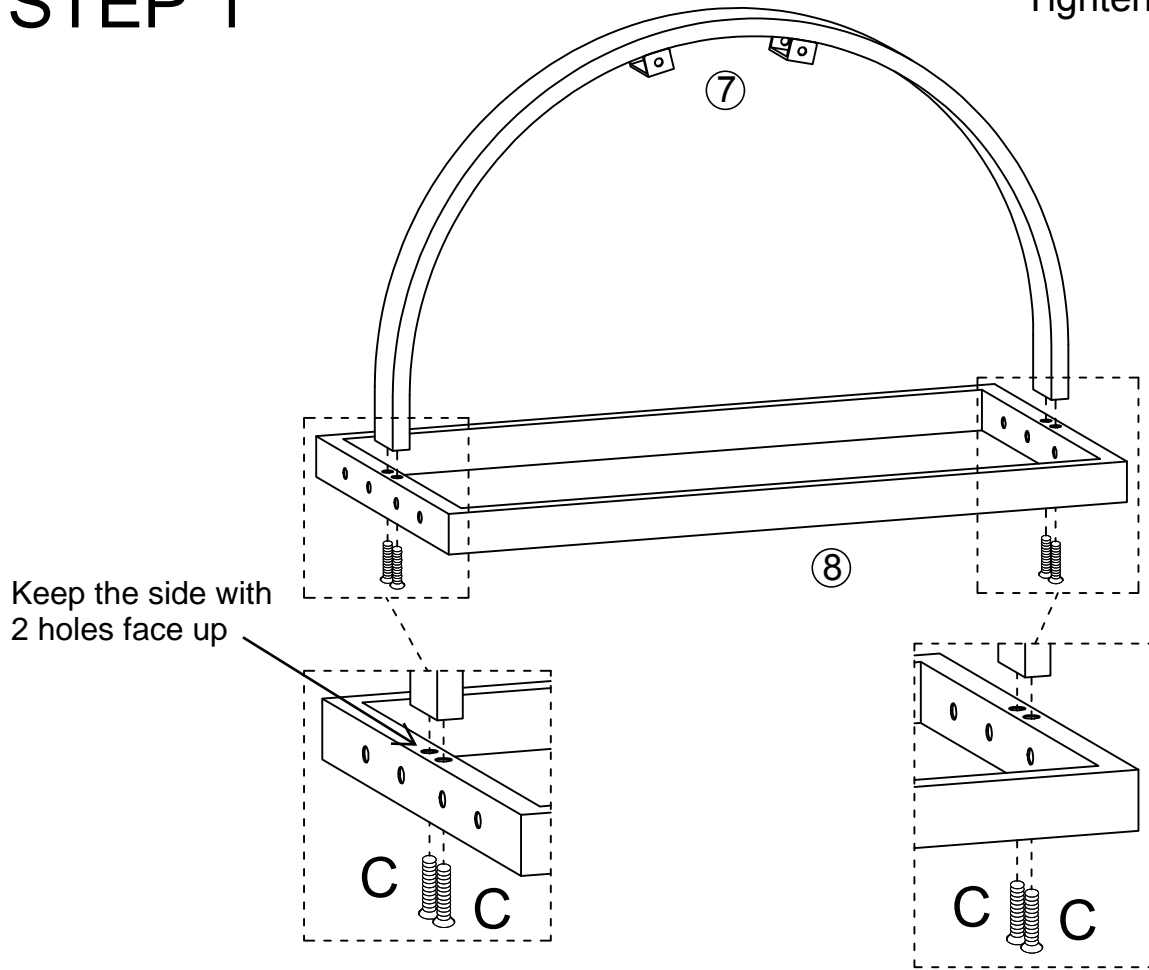
CONSOLE TABLE

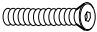


 M6×28mm	 M6×35mm	 M6×50mm	 D ×4pcs	 E ×1pc
 4×35mm F ×2pcs+1pc	 Ø6×30mm G ×2pcs+1pc	 H ×2pcs	 M6×25mm I ×8pcs+1pc	

STEP 1

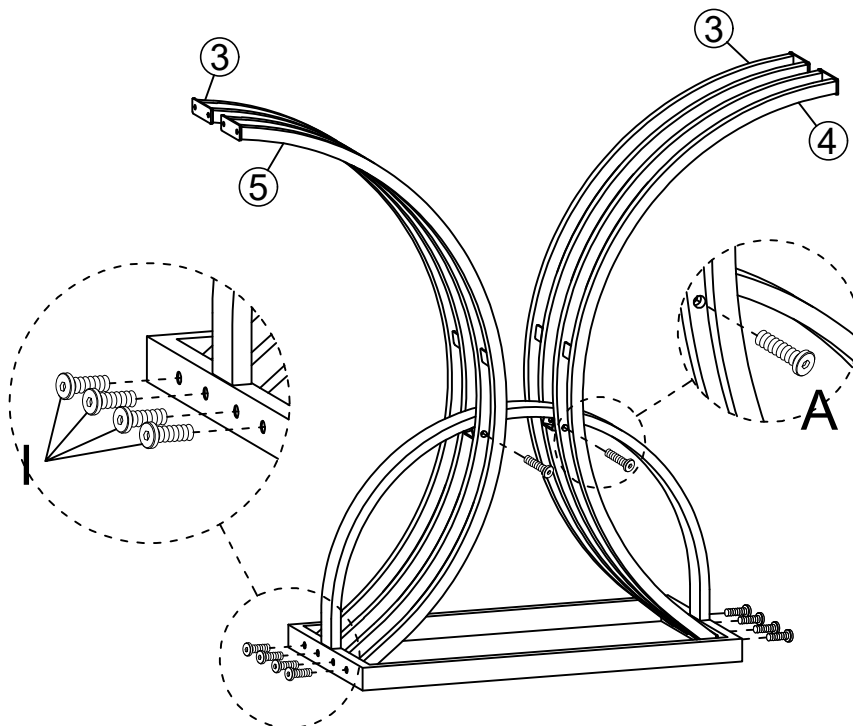
Tighten screws of 70%

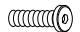




M6×50mm
Ⓒ×4pcs

STEP 2

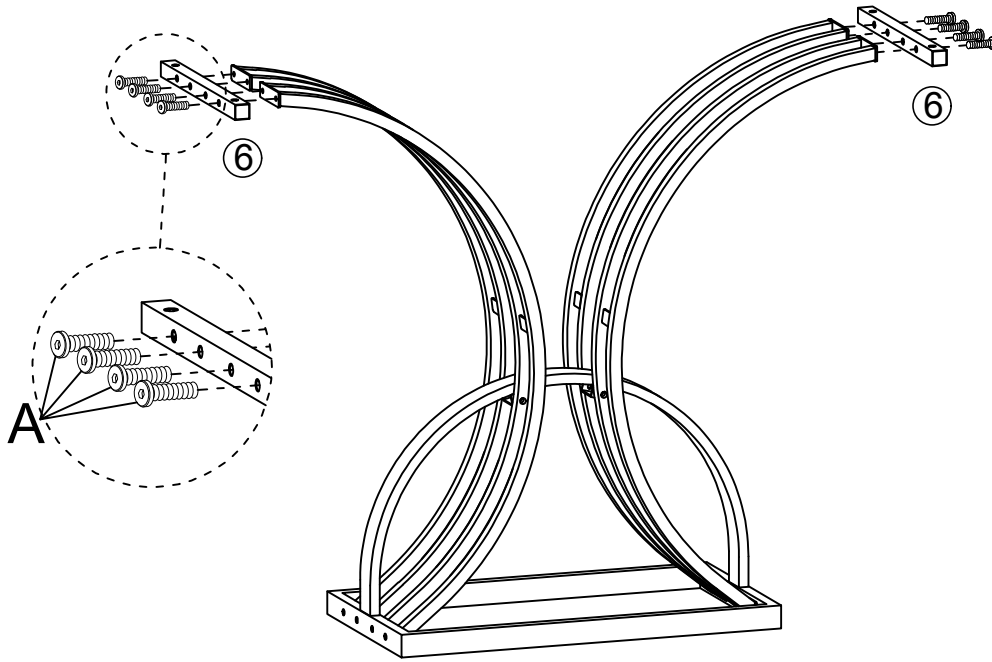
Tighten screws of 70%

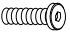


	
M6×28mm	M6×25mm
Ⓐ×2pcs	Ⓘ×8pcs

STEP 3

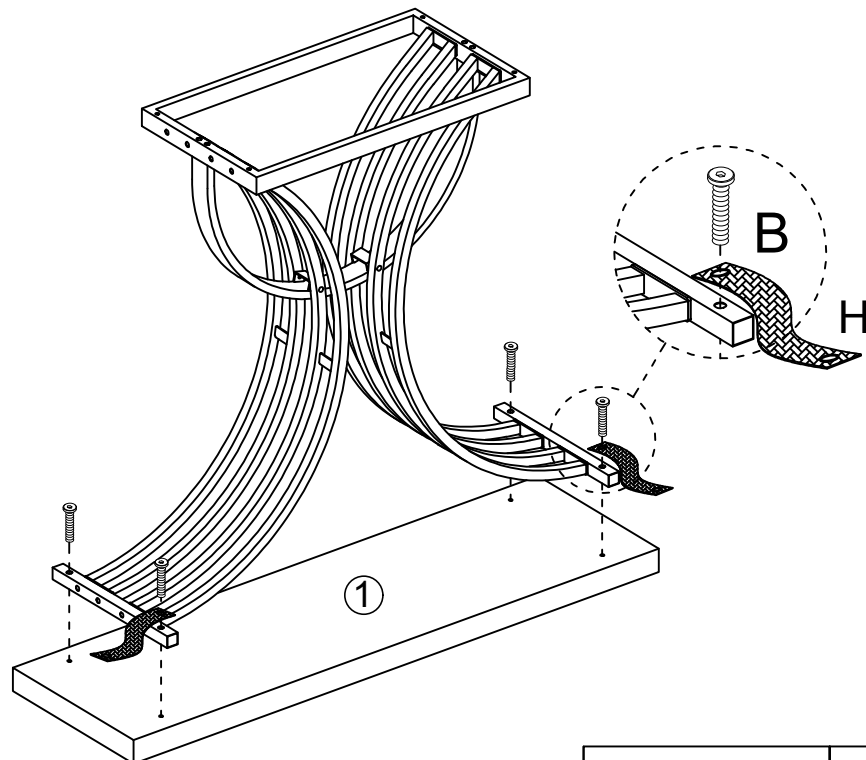
Tighten screws of 70%

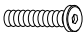




M6×28mm
Ⓐ ×8pcs

STEP 4

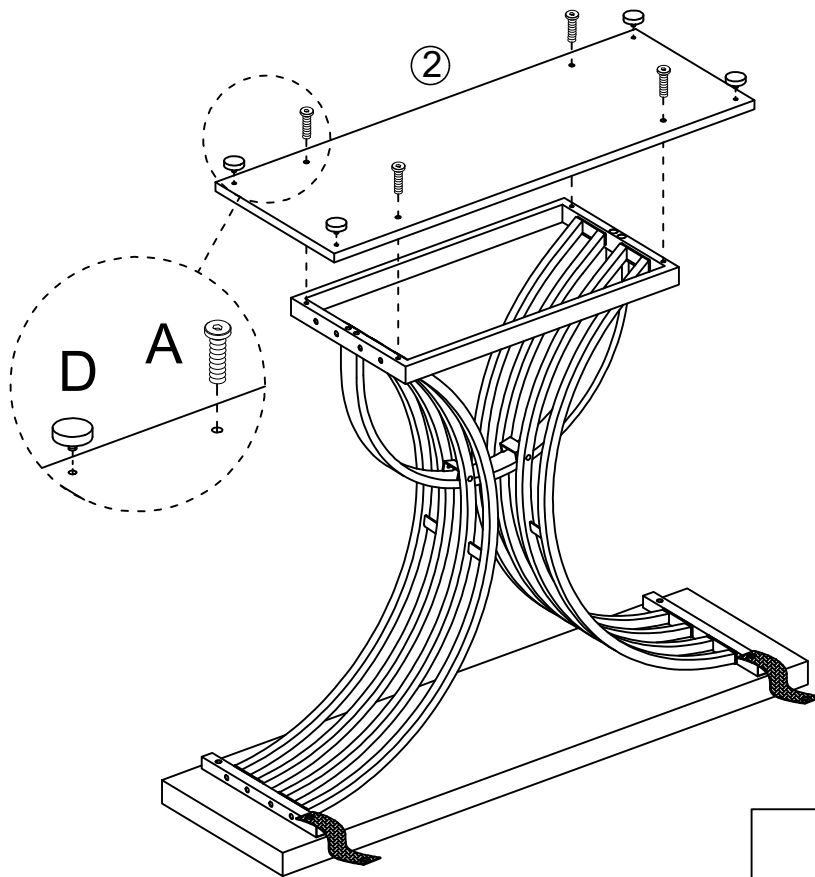
Fully tighten all the screws

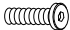



	
M6×35mm	
Ⓑ ×4pcs	Ⓗ ×2pcs

STEP 5

Fully tighten all the screws

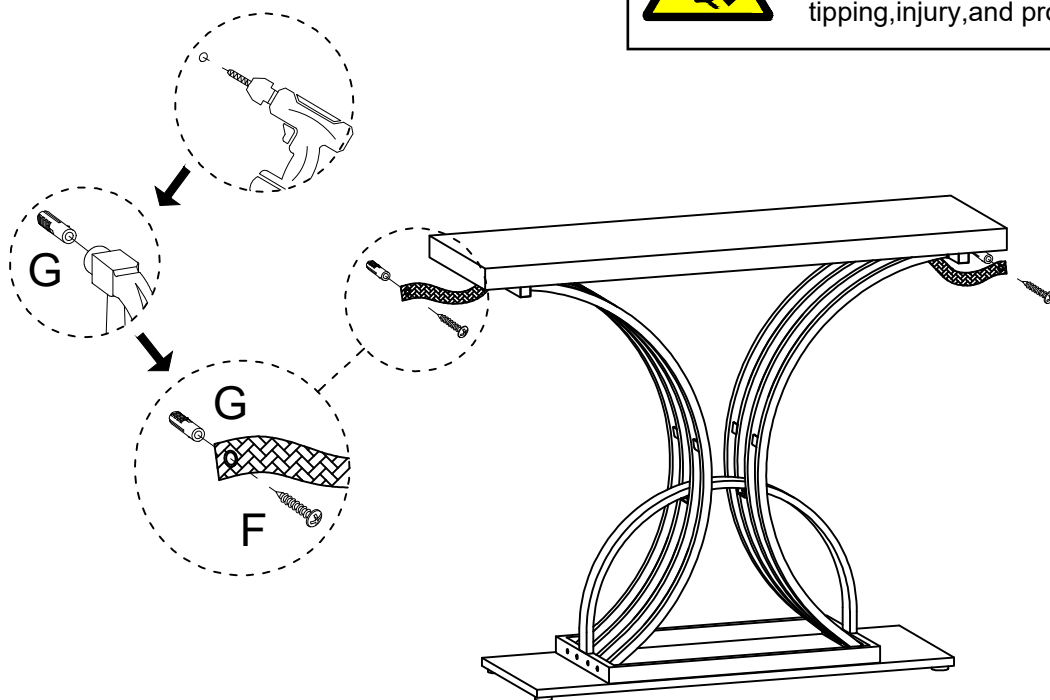


 M6×28mm	
Ⓐ ×4pcs	Ⓓ ×4pcs

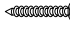

STEP 6



Attention: For safety and stability, we suggest you have to secure the anti-tip accessories to the wall to prevent tipping, injury, and property damage.



Installation Completed

 4×35mm	
Ⓕ ×2pcs	Ⓖ ×2pcs