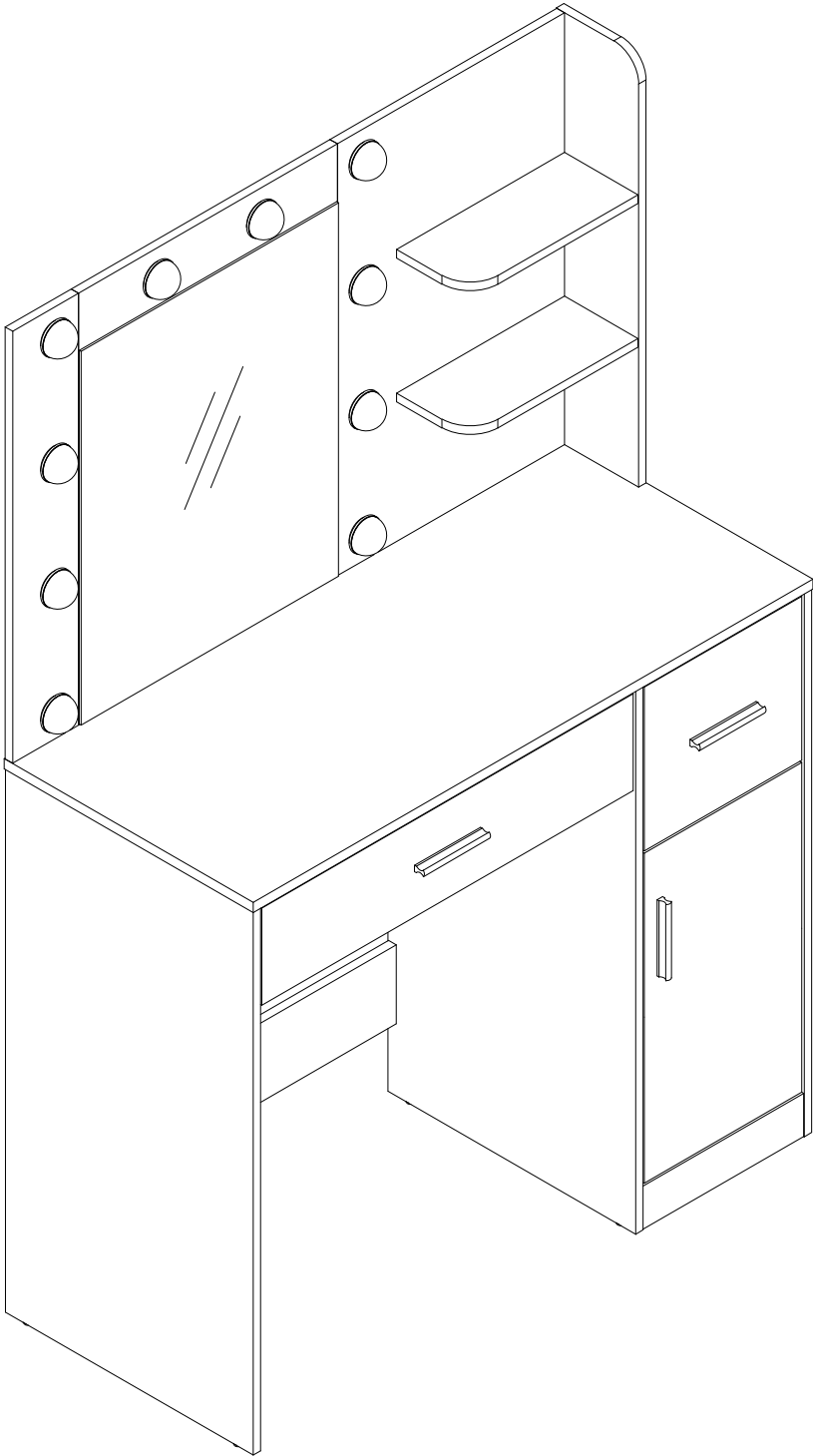
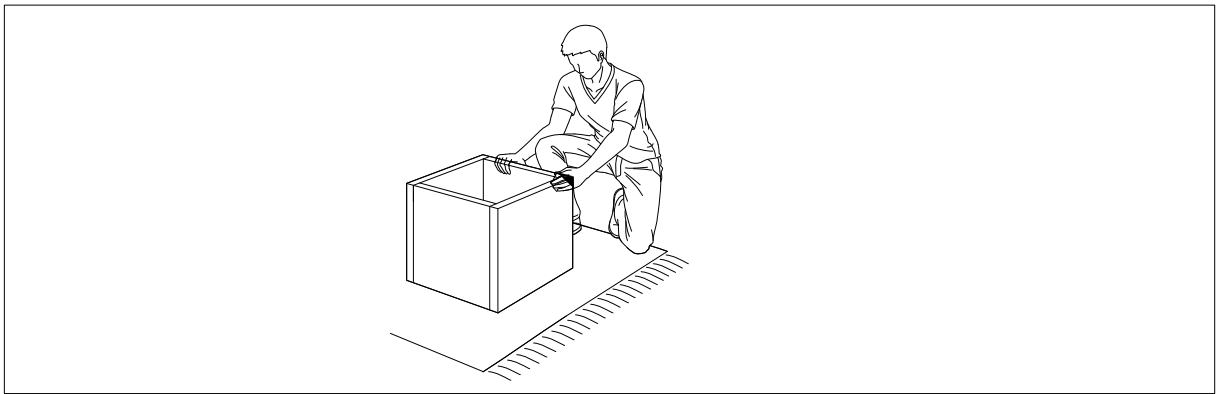
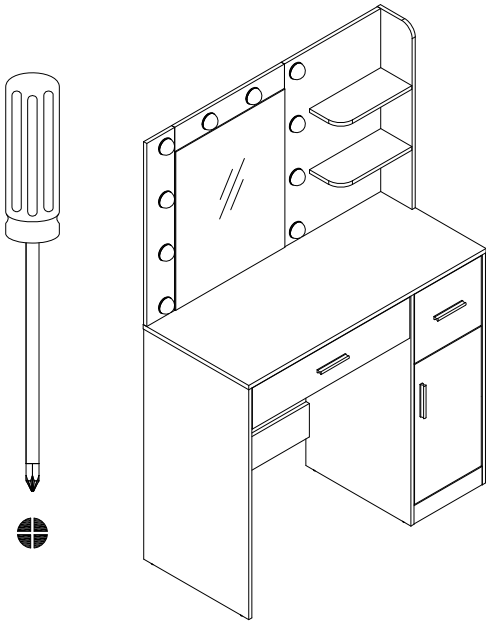


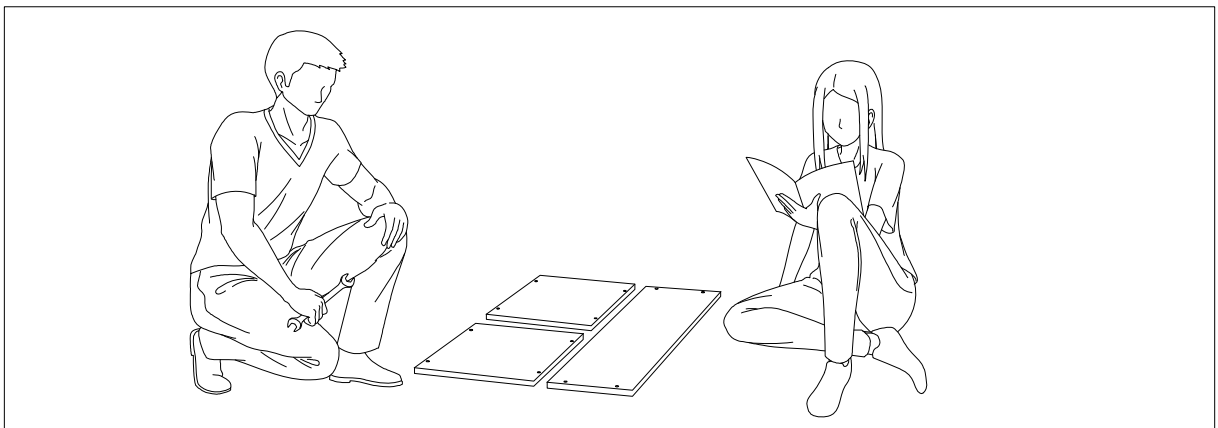
# ASSEMBLY INSTRUCTIONS



# WARNING!

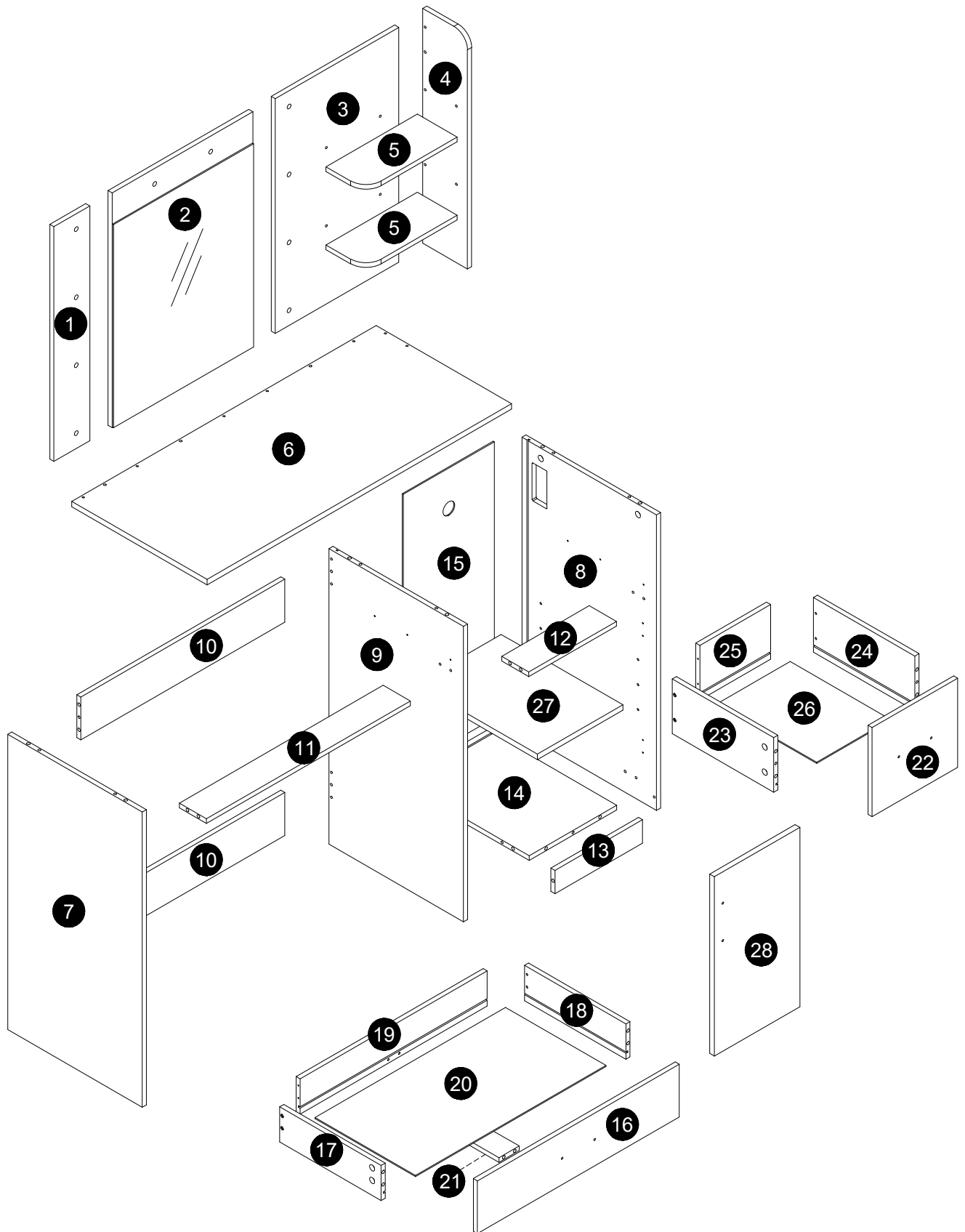


Assemble the furniture on empty carton, carpet, or rug to prevent scratches or damage.


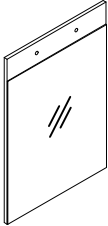
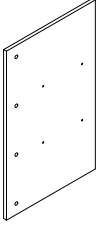

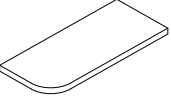
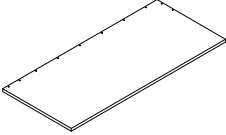

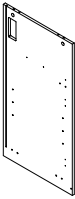

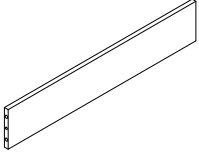
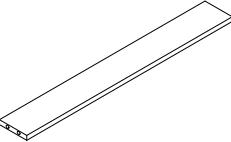
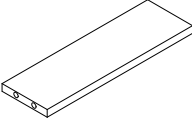
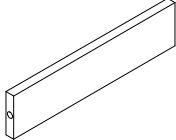
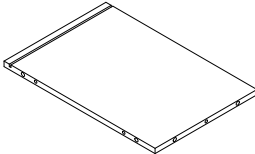

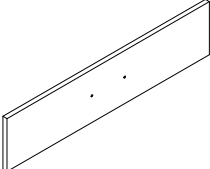
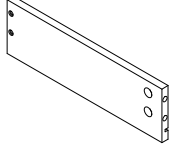
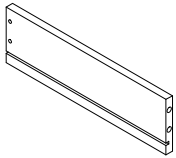
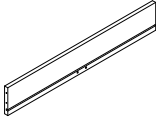
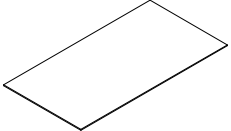
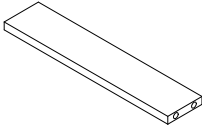
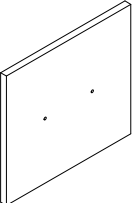
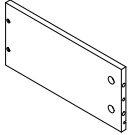
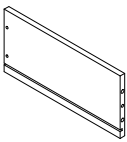
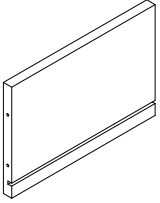
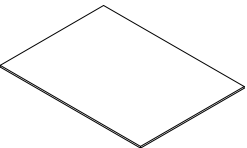
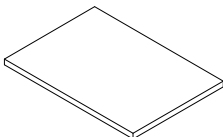



This furniture requires 2 people to assembly.  
Make sure no parts are missing or damaged before assembly.



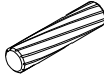
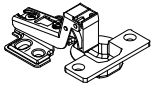
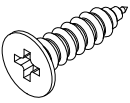
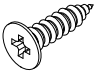
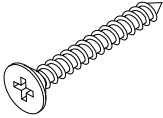
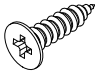
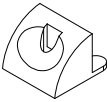
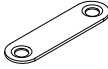
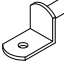
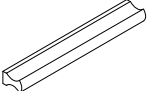
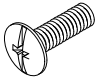
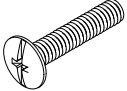
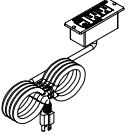
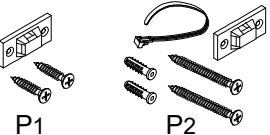
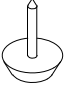
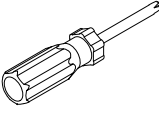
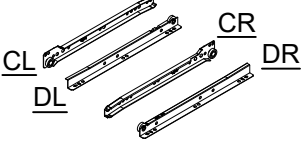
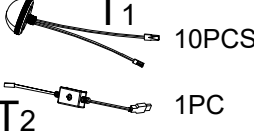

# PACKAGE CONTENT



# BOARD IDENTIFICATION

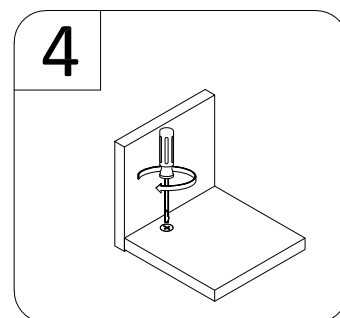
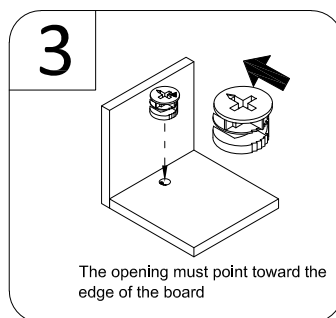
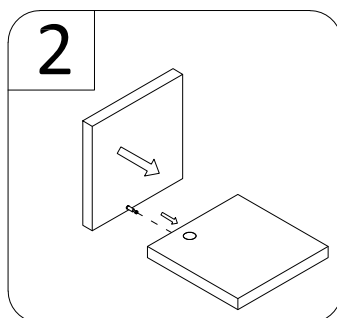
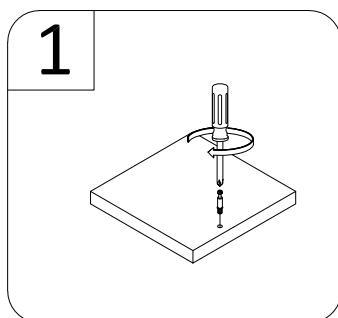
 1 1PC	 2 1PC	 3 1PC	 4 1PC	 5 2PCS
 6 1PC	 7 1PC	 8 1PC	 9 1PC	 10 2PCS
 11 1PC	 12 1PC	 13 1PC	 14 1PC	 15 1PC
 16 1PC	 17 1PC	 18 1PC	 19 1PC	 20 1PC
 21 1PC	 22 1PC	 23 1PC	 24 1PC	 25 1PC
 26 1PC	 27 1PC	 28 1PC		

# HARDWARE PART LIST

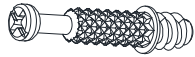
A	X50+2	B	X50+2	C	X23+1	D	X2
							
Ø6x34mm		Ø15x9.5mm		Ø6x30mm		Ø35mm	
E	X12	F	X36+1	G	X17	H	X4
							
Ø8x12mm		Ø6.5x12mm		Ø8*35mm		Ø3x15mm	
I	X4	J	X6	K	X4	L	X3
							
M	X4	N	X2	O	x1	P	X1SET
							
Ø5/32"x16mm		Ø5/32"x18mm				P1 P2	
Q	X6	R	X1	S	x2SET	T	X1SET
							
Ø13x4mm				L300mm		T1 10PCS T2 1PC	
U	X1						

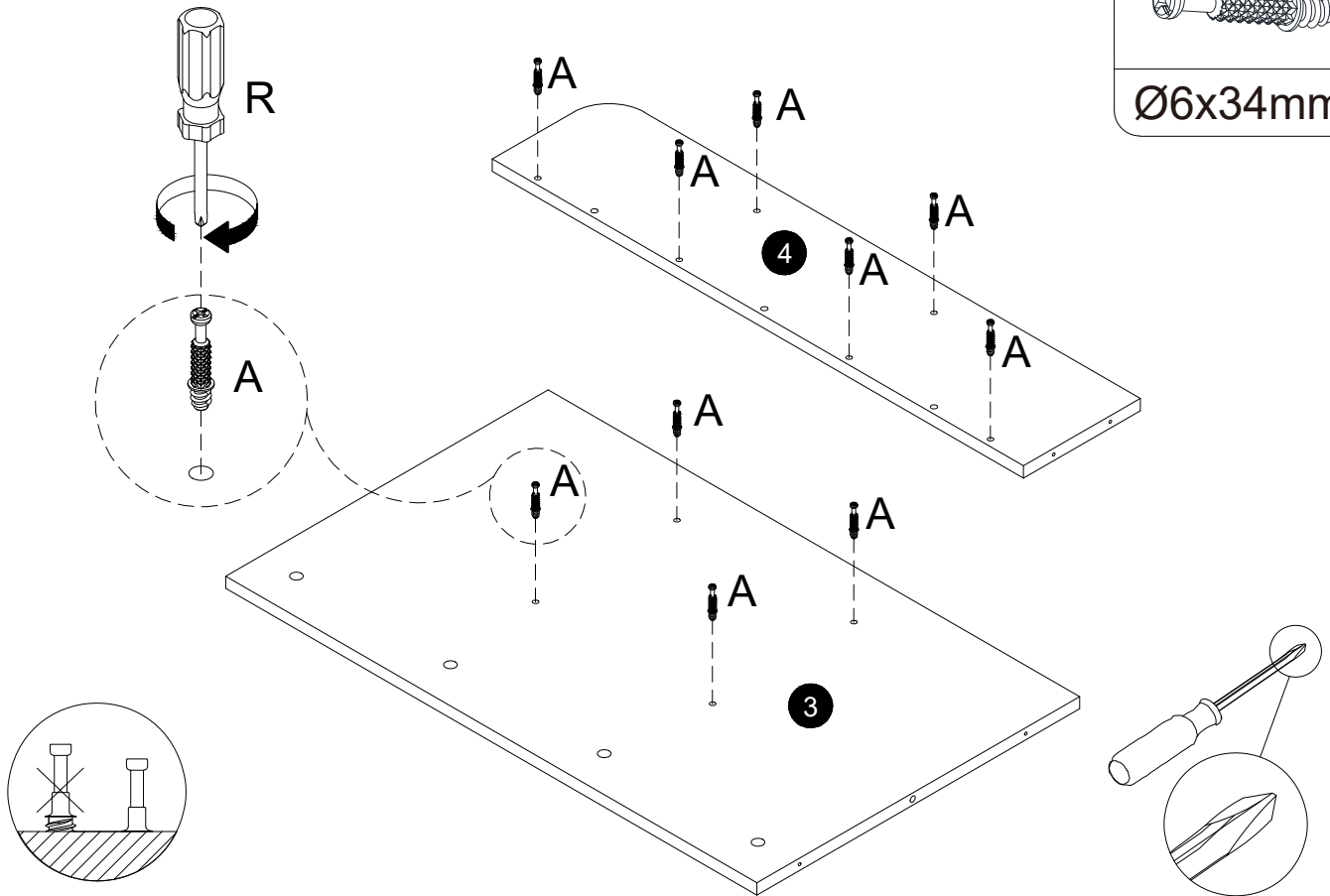
## Cam Lock Fastening System

Insert the cam bolt into the hole first, then insert the cam lock and lock it.




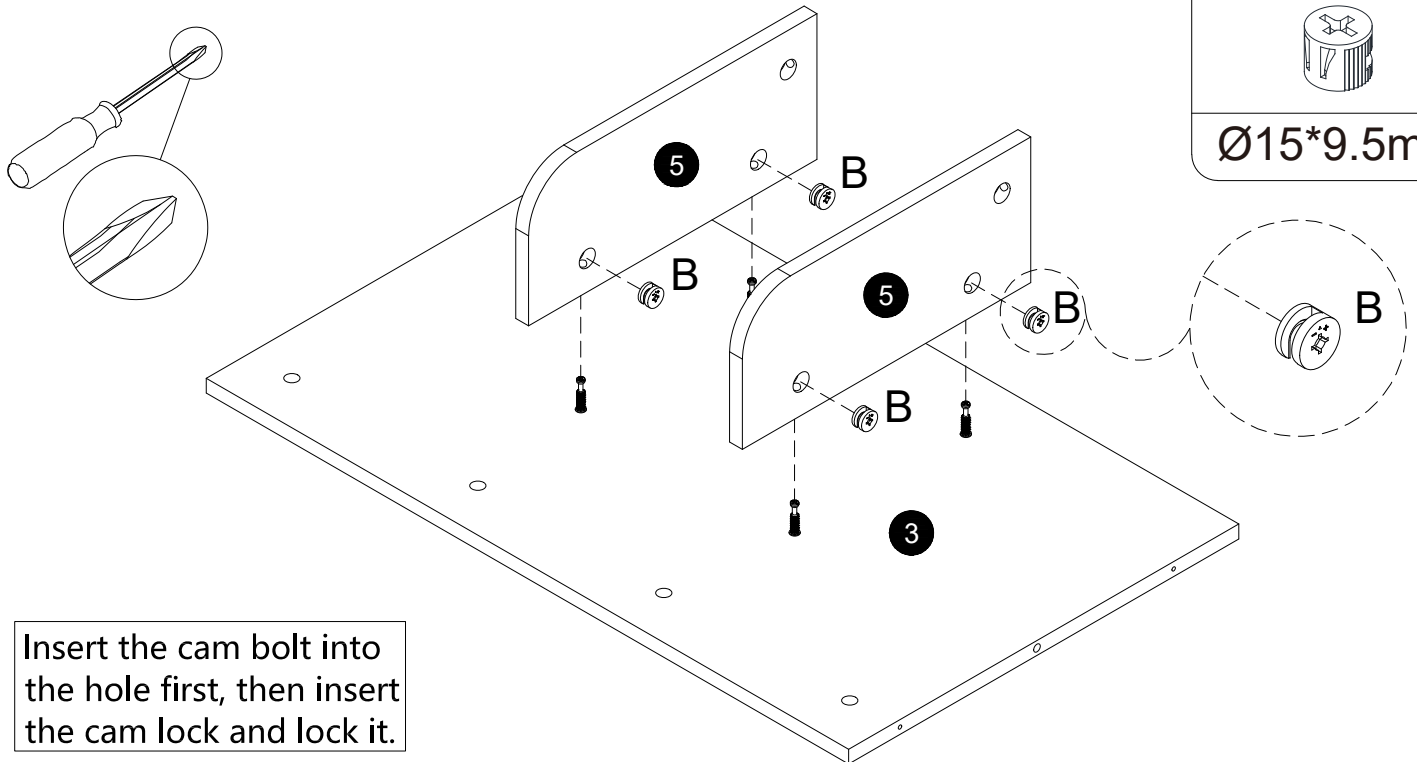
# STEP 1

A	X10
	
Ø6x34mm	

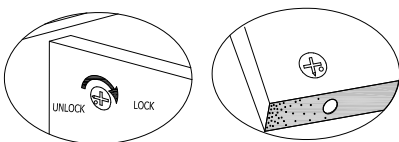


# STEP 2

B	X4
	
Ø15*9.5mm	

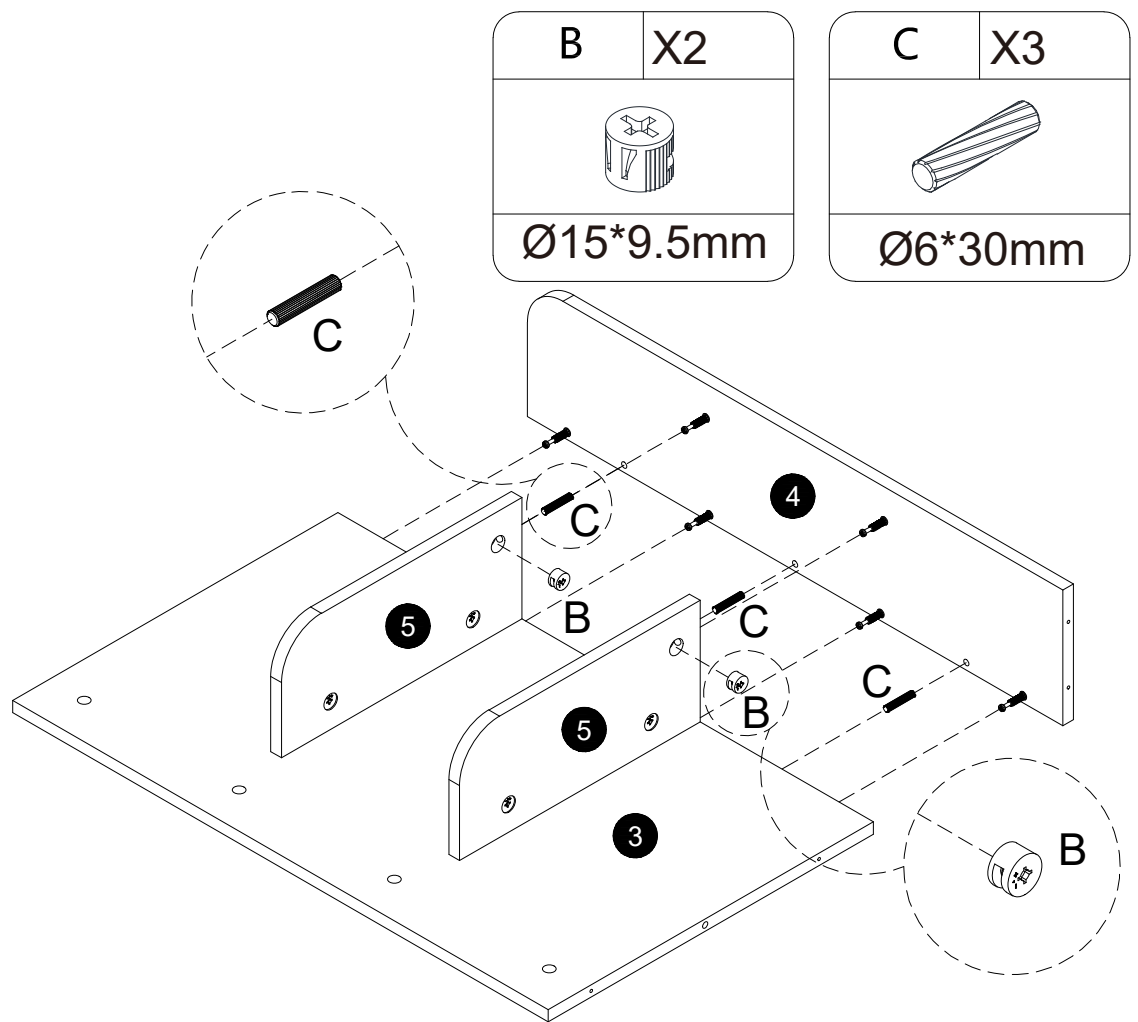


Insert the cam bolt into the hole first, then insert the cam lock and lock it.

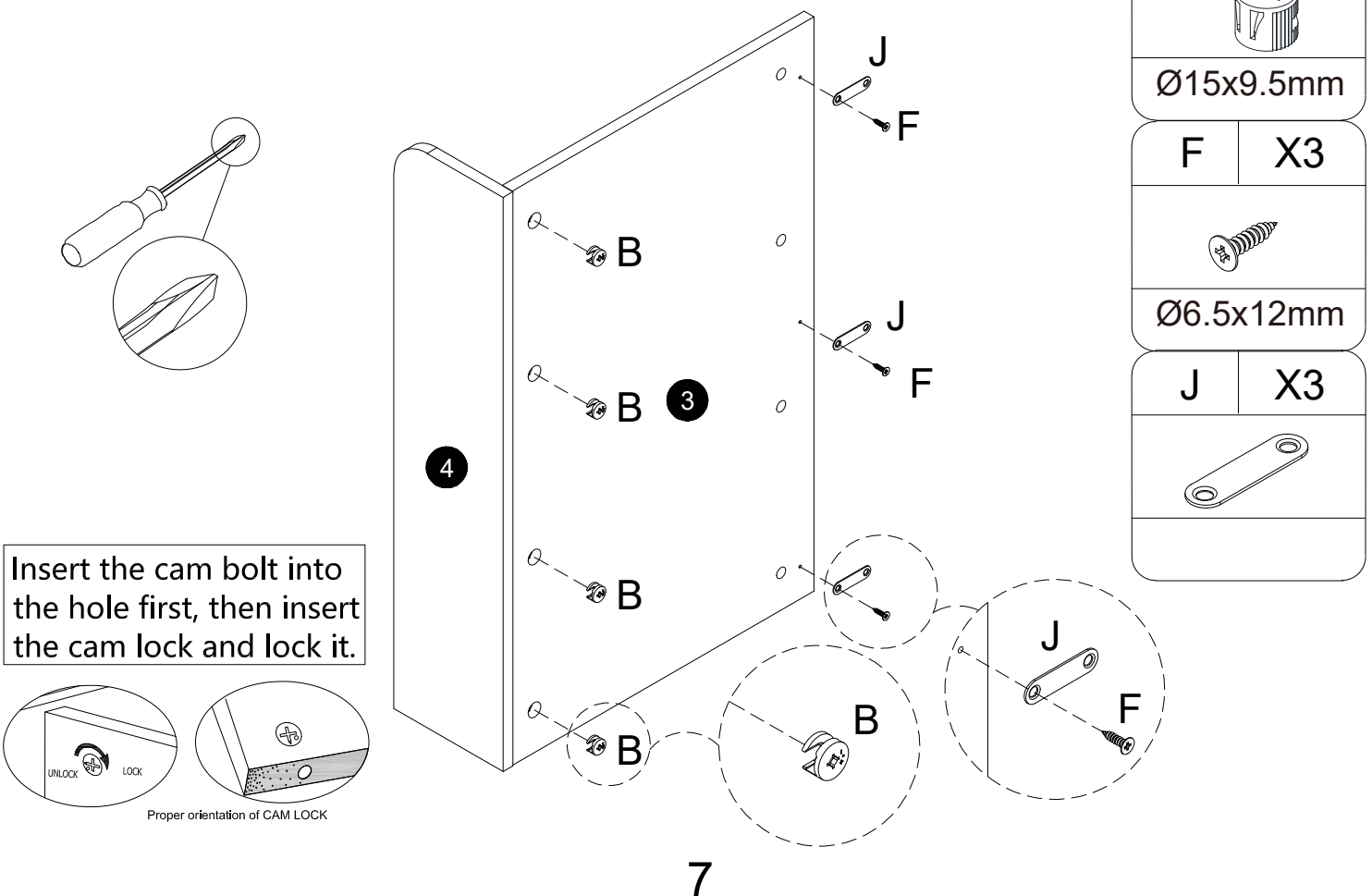


Proper orientation of CAM LOCK


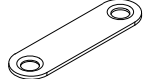
# STEP 3

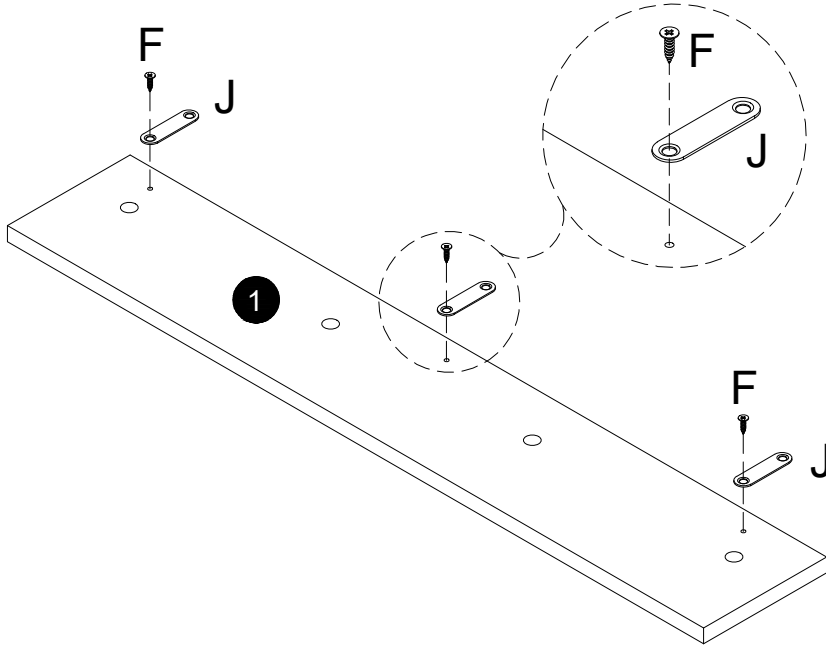


# STEP 4

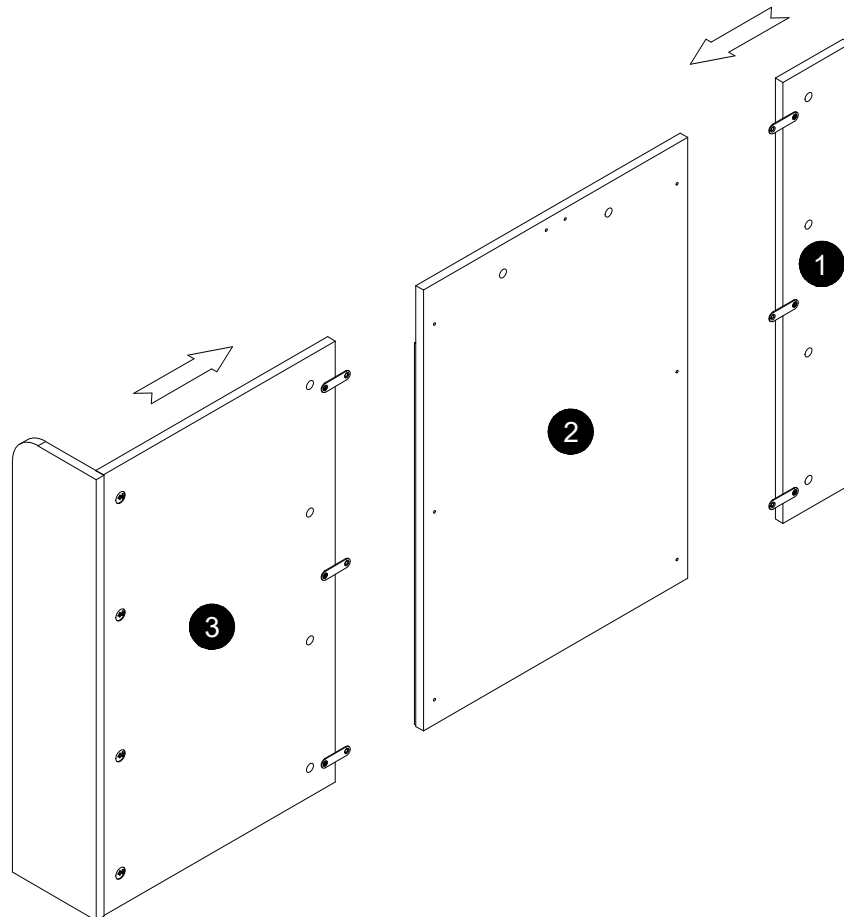


# STEP 5

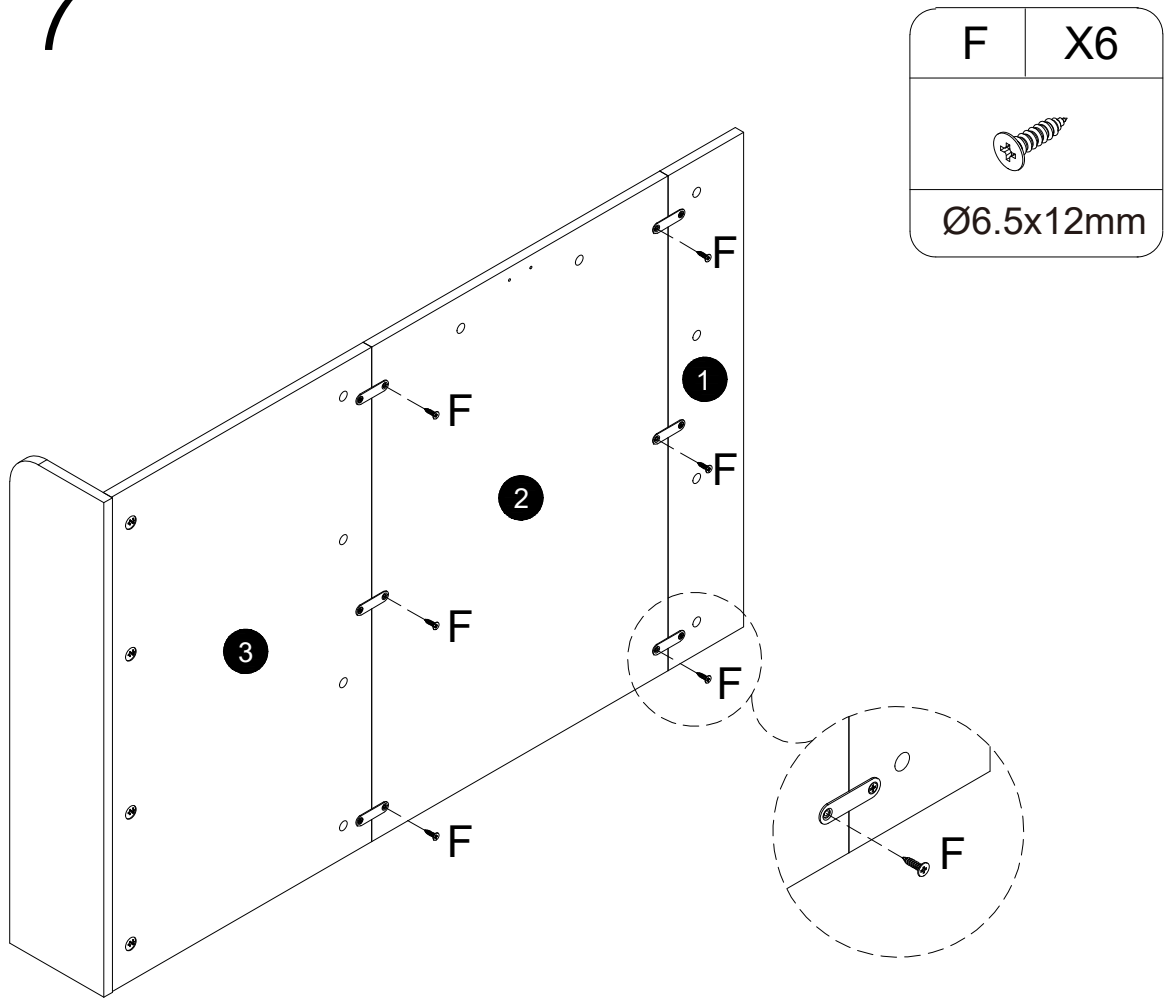
F	X3	J	X3
			
Ø6.5x12mm			



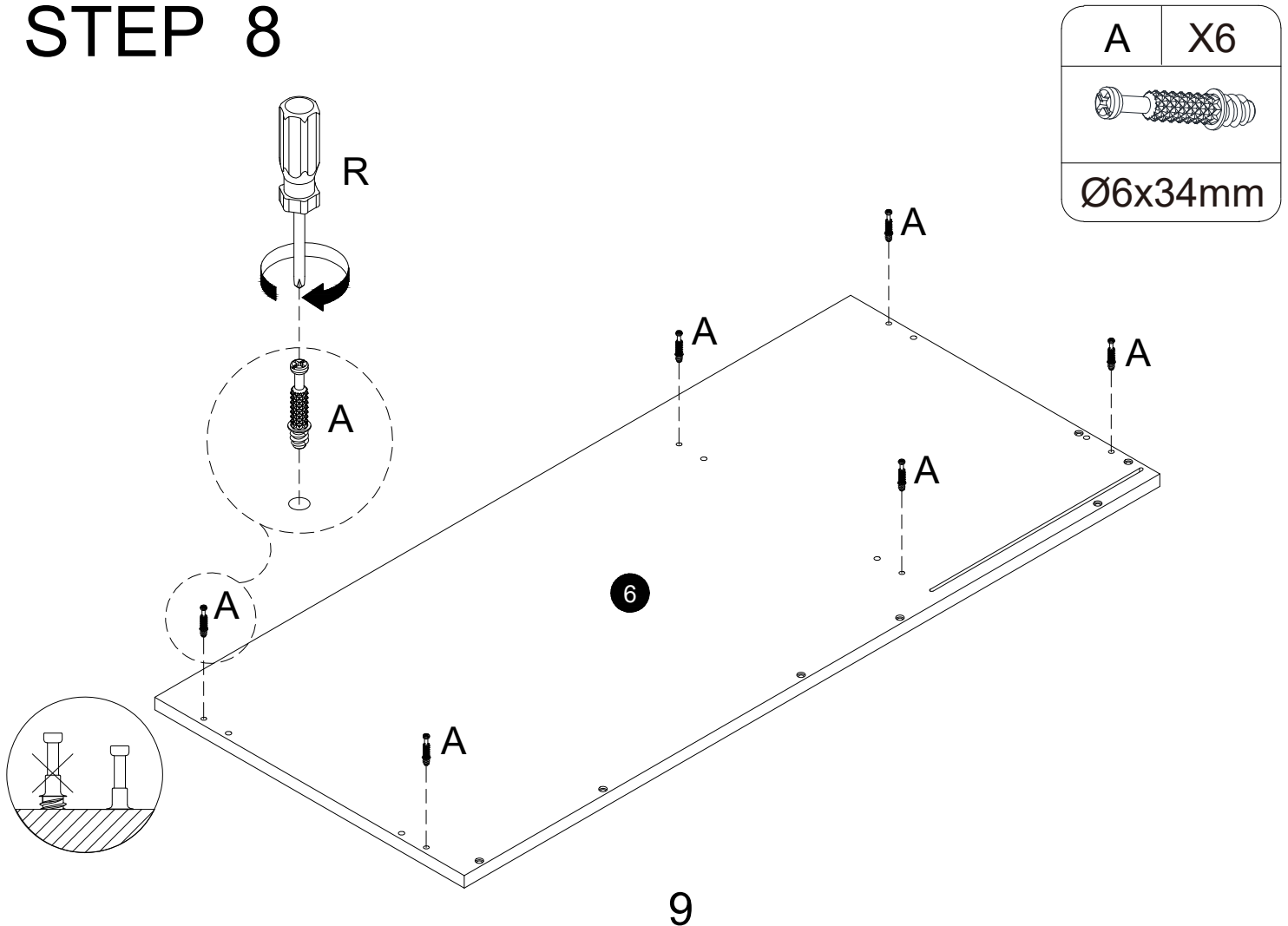
# STEP 6



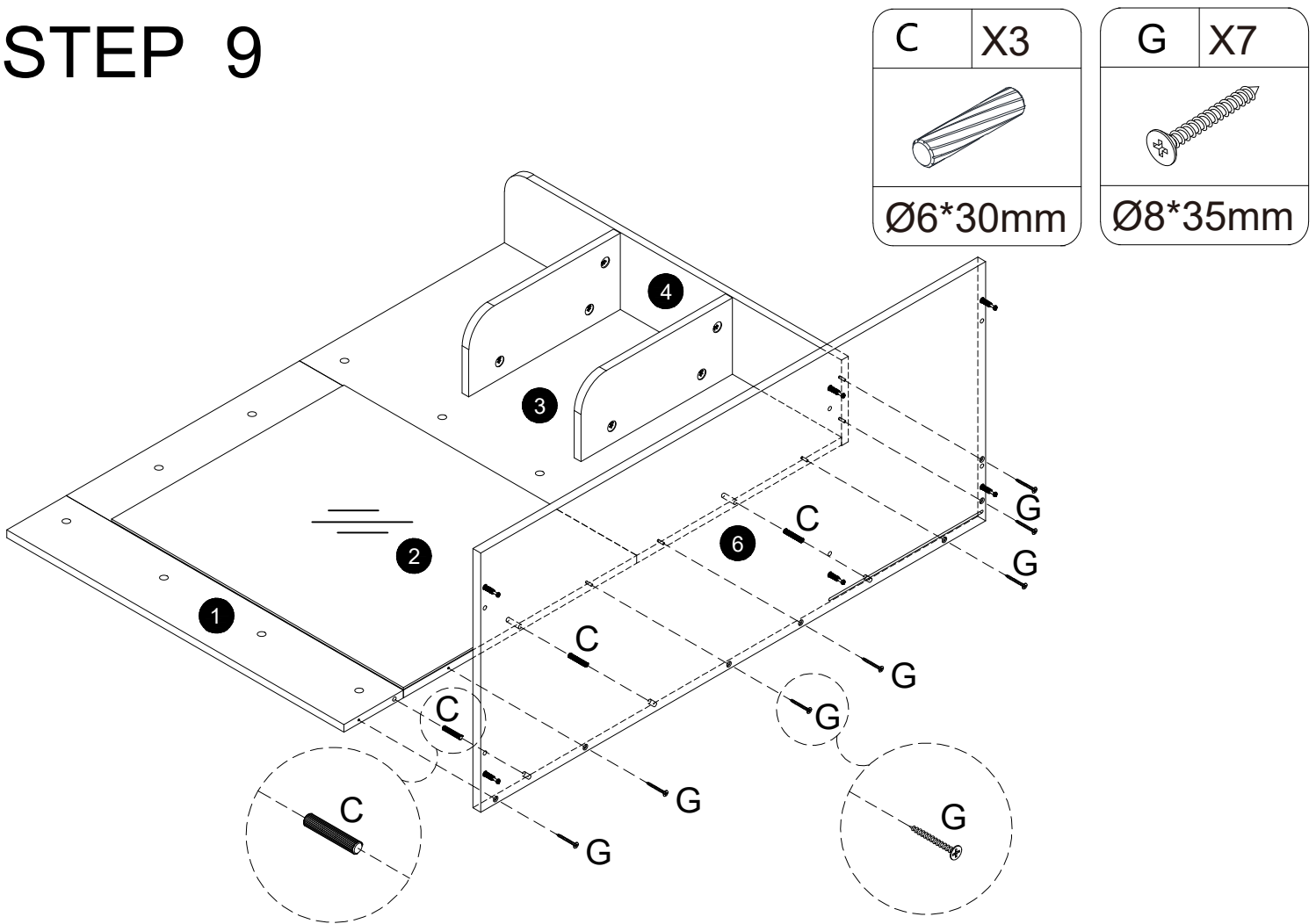
# STEP 7



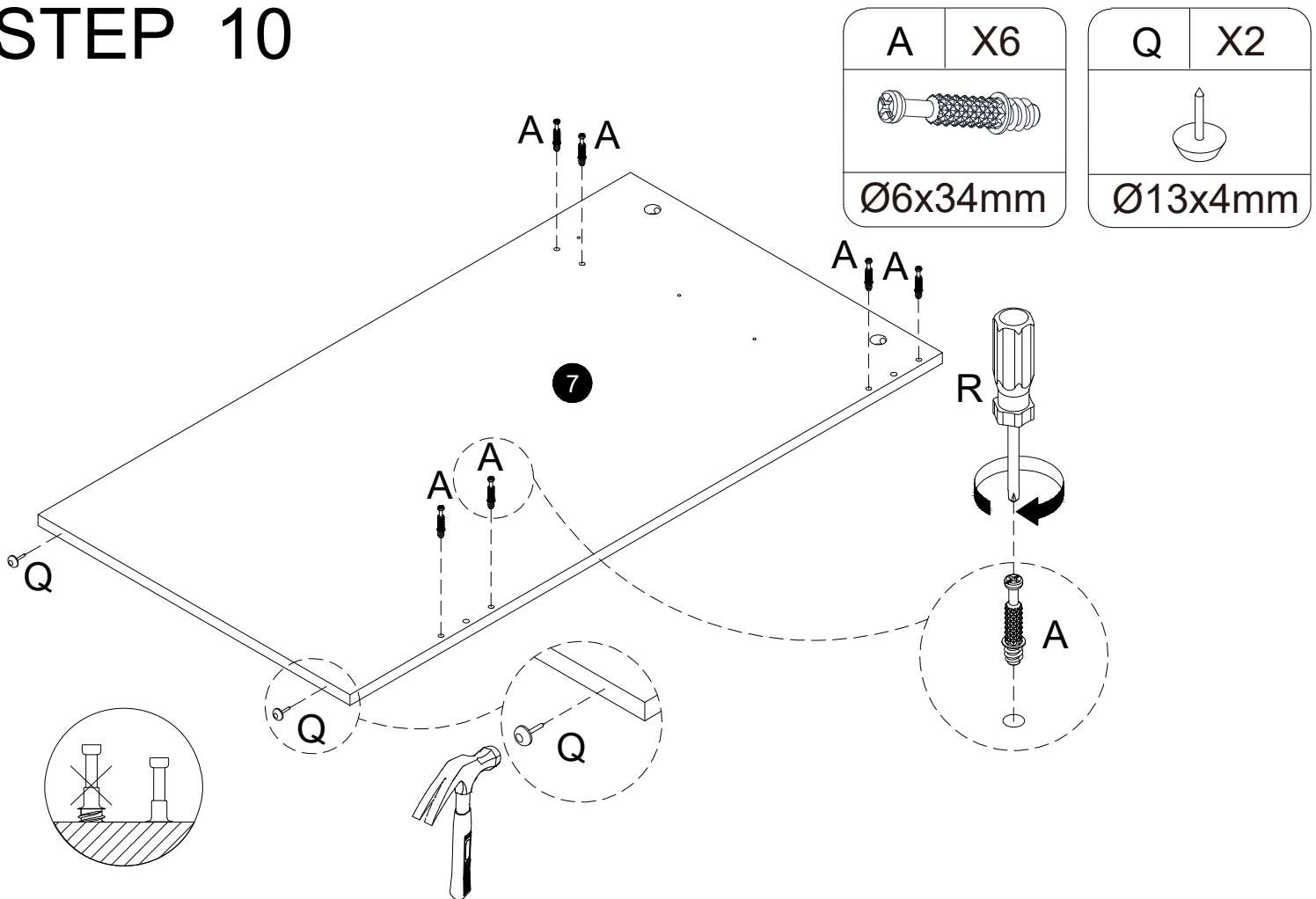
# STEP 8




# STEP 9




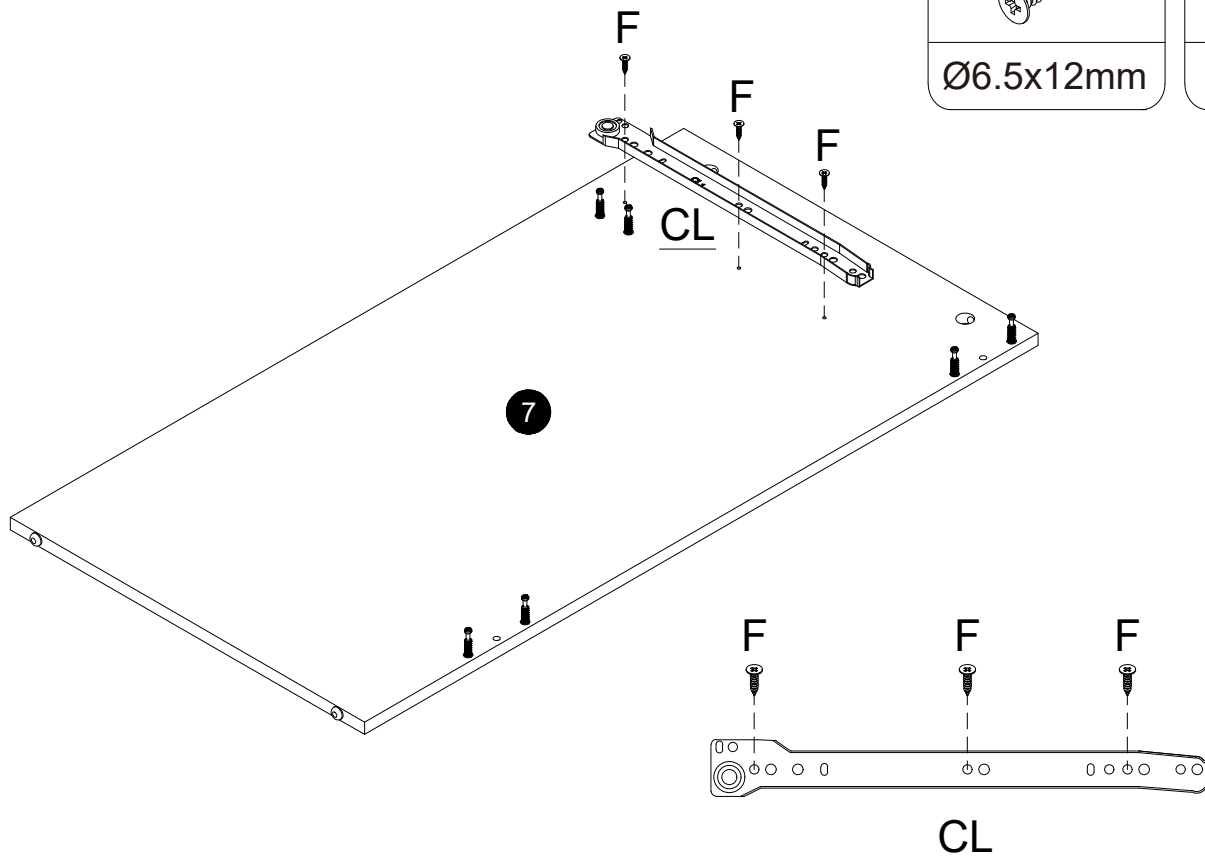
# STEP 10



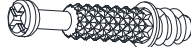
# STEP 11


F	X3
	
Ø6.5x12mm	

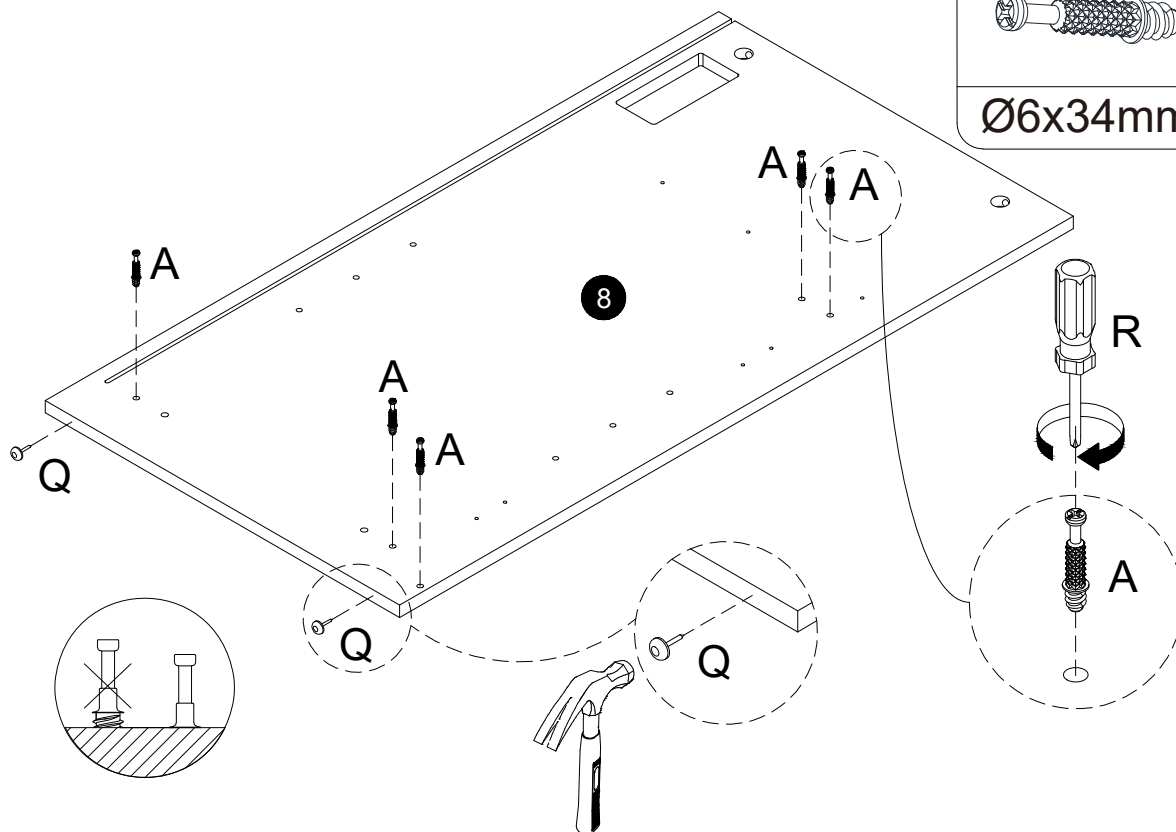
S	X1
	
L=300mm	




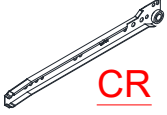
# STEP 12

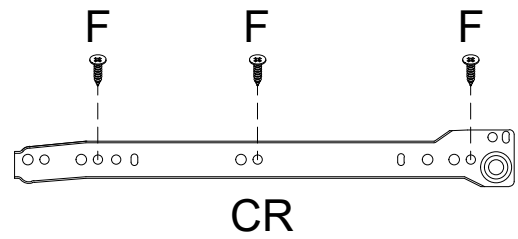
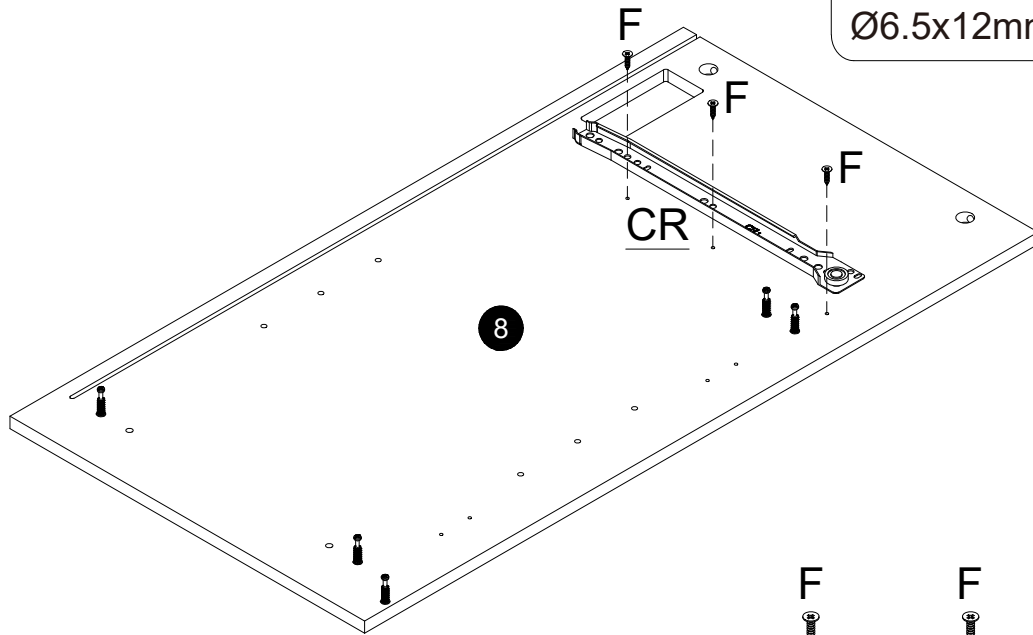
A	X5
	
Ø6x34mm	

Q	X2
	
Ø13x4mm	

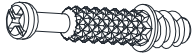
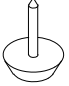


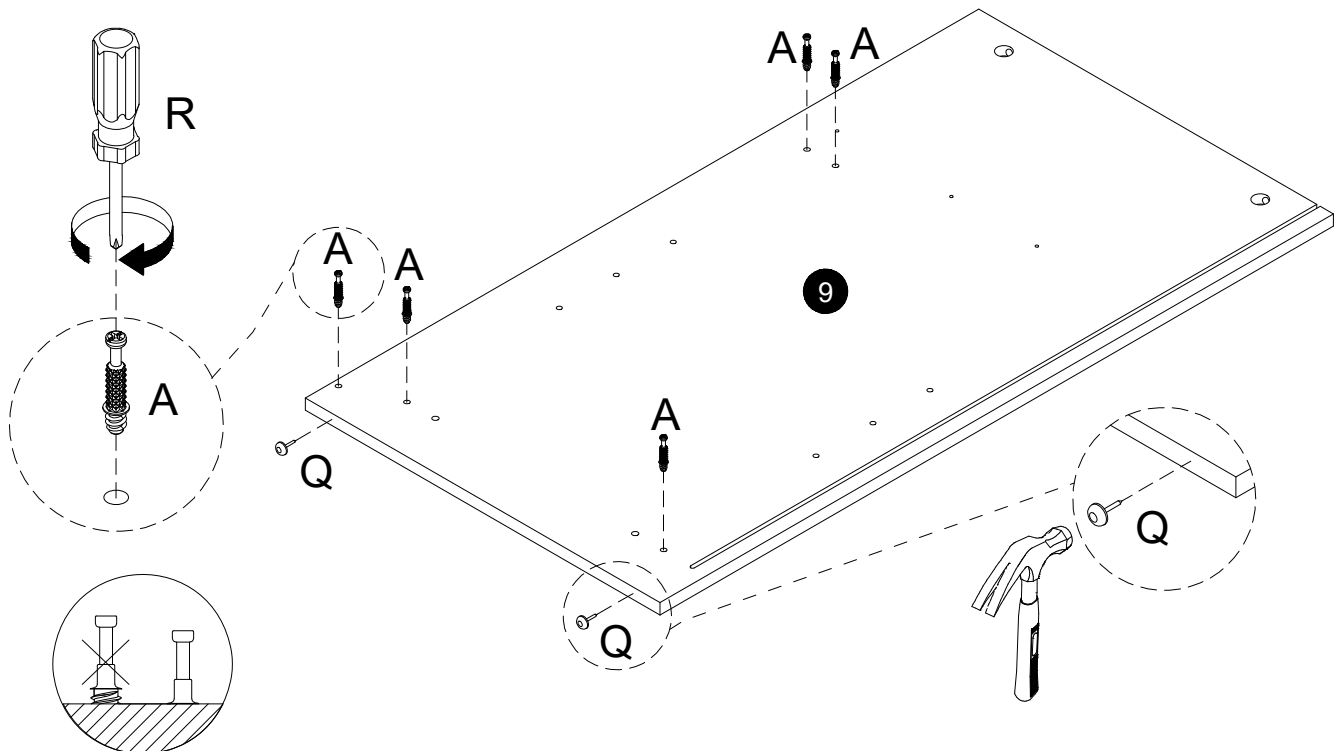
# STEP 13

F	X3	S	X1
			
Ø6.5x12mm		L=300mm	


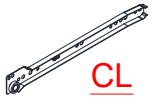


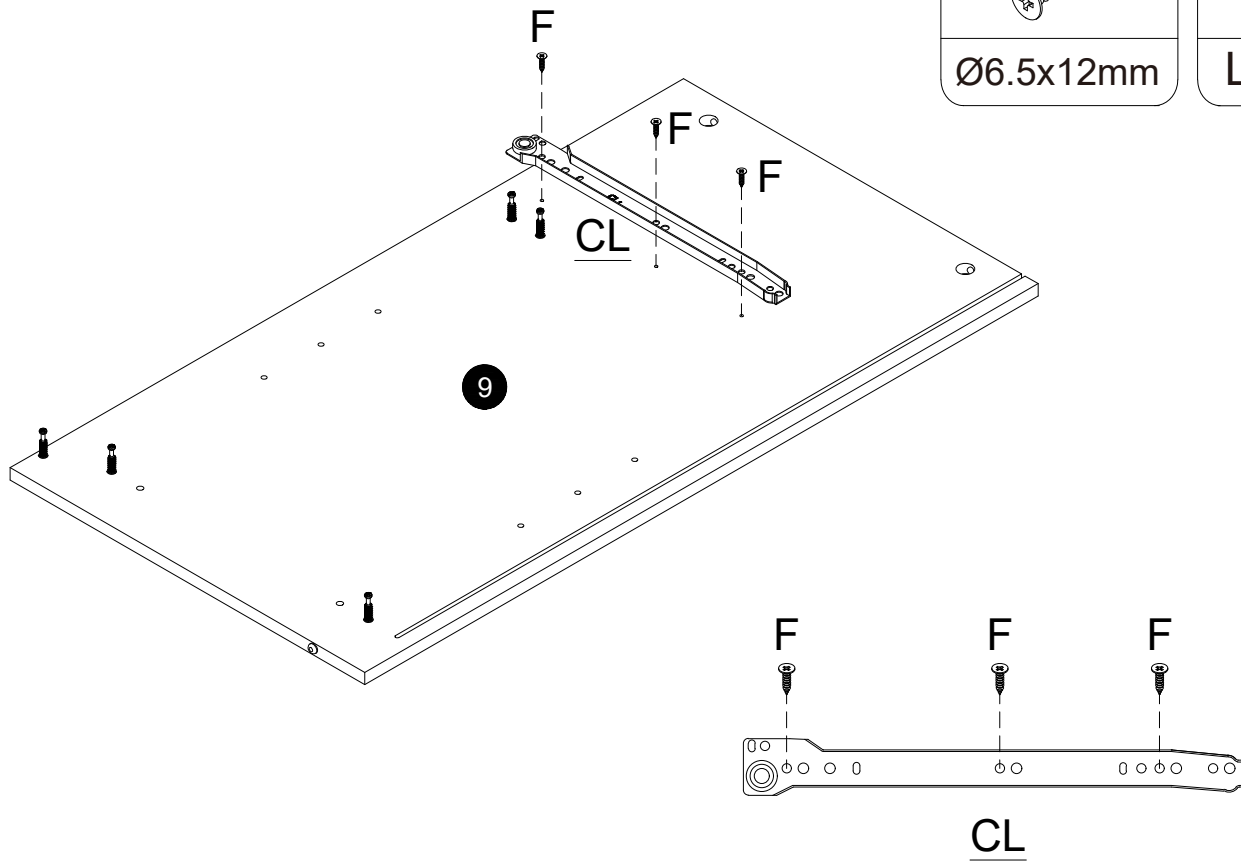
# STEP 14

A	X5	Q	X2
			
Ø6x34mm		Ø13x4mm	

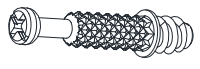


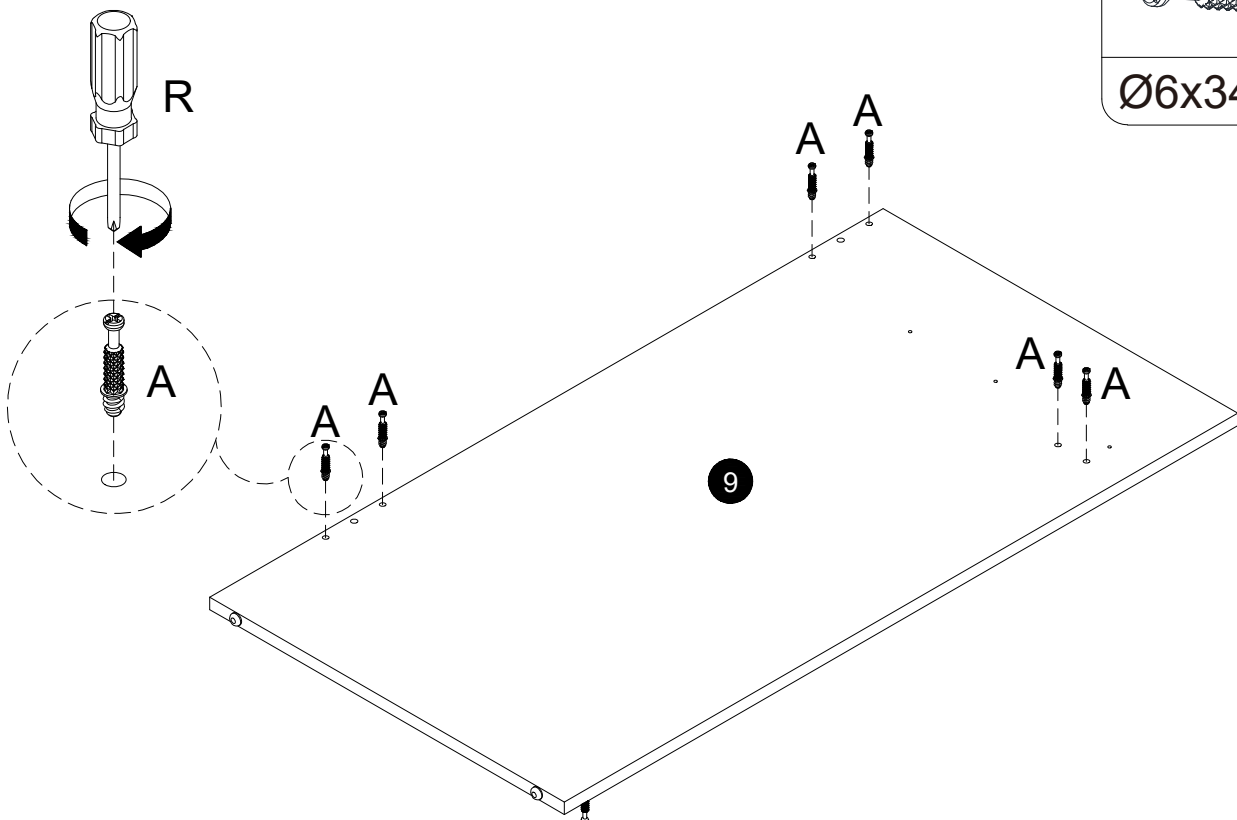
# STEP 15

F	X3	S	X1
			
Ø6.5x12mm		L=300mm	


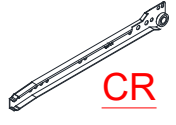


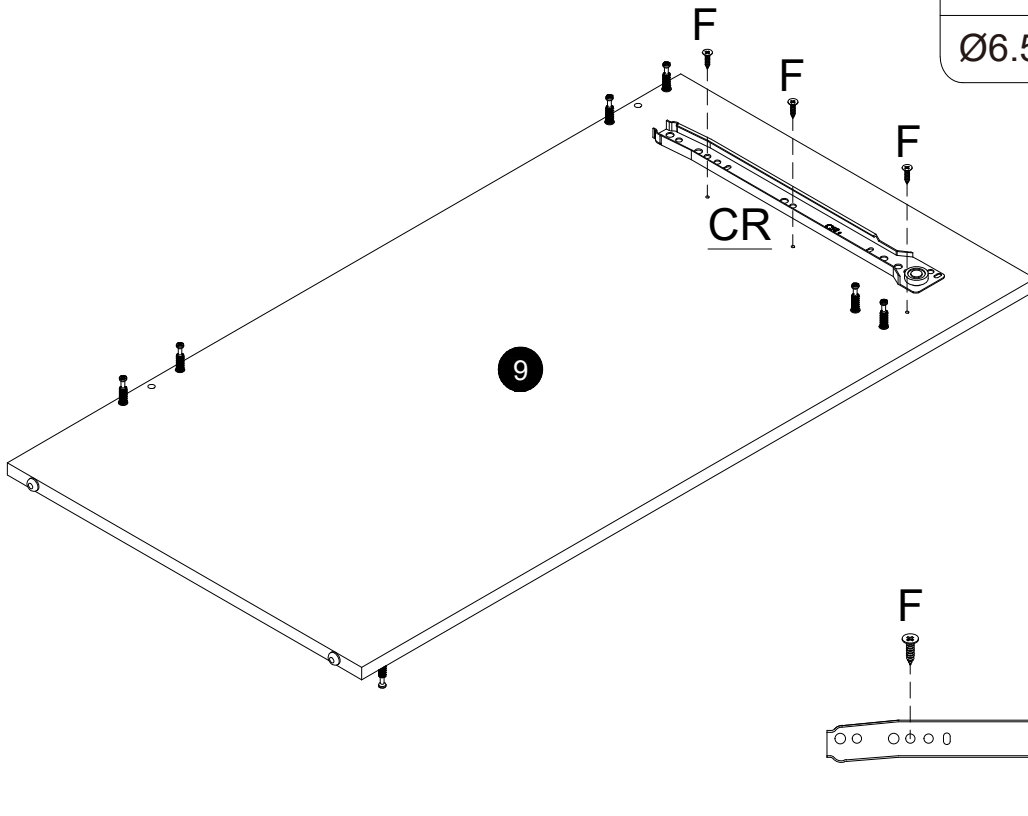
# STEP 16

A	X6
	
Ø6x34mm	

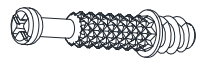


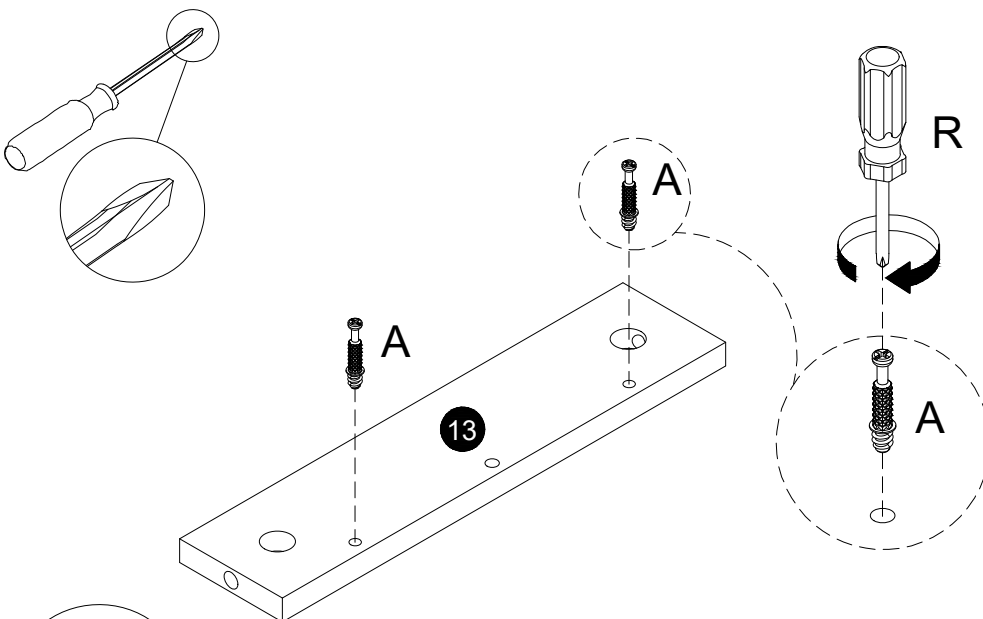
# STEP 17

F	X3	S	X1
			
Ø6.5x12mm		L=300mm	

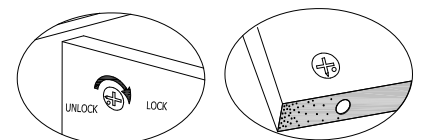


# STEP 18

A	X2
	
Ø6x34mm	




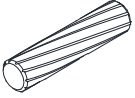
Insert the cam bolt into the hole first, then insert the cam lock and lock it.

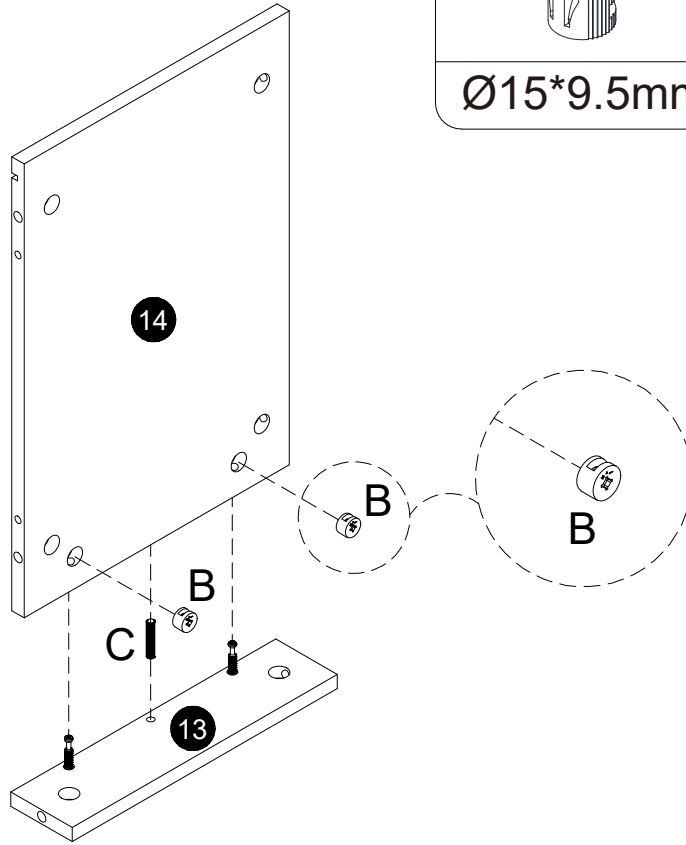


Proper orientation of CAM LOCK

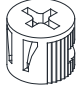
# STEP 19

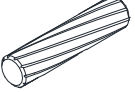
B	X2
	
Ø15*9.5mm	

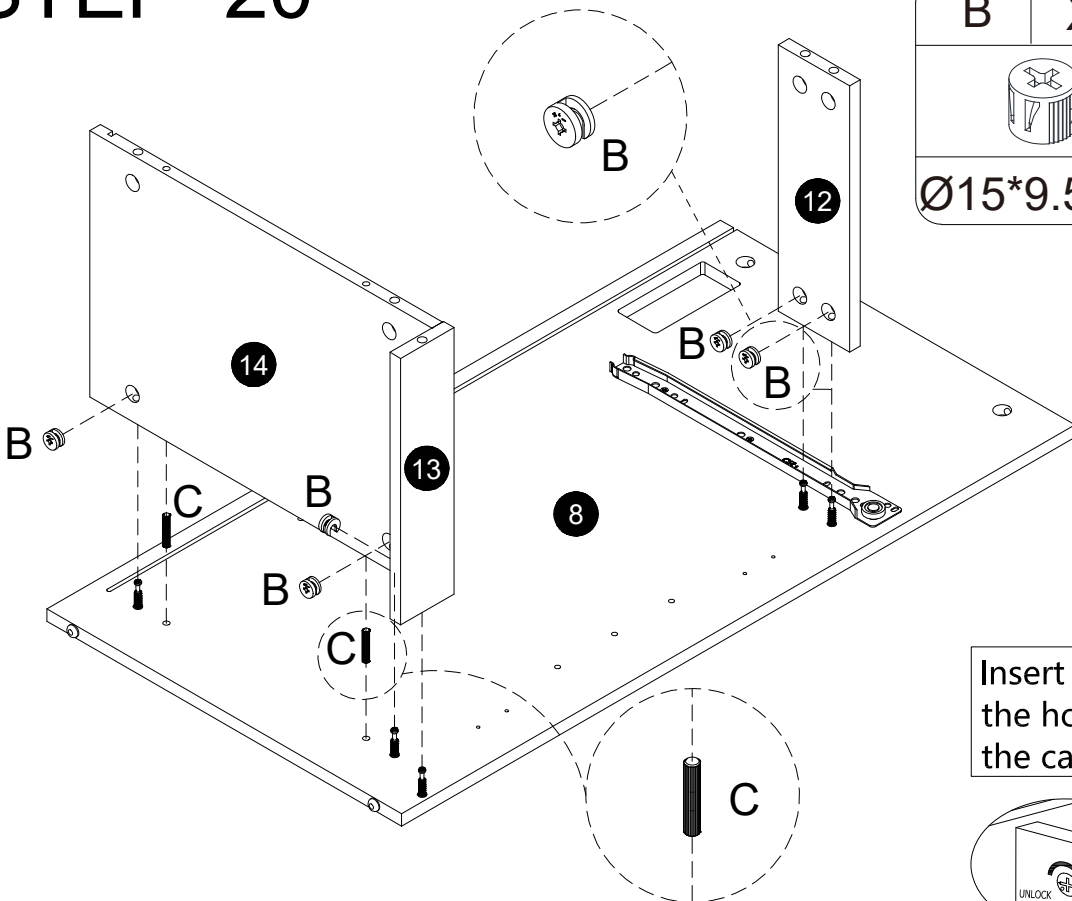
C	X1
	
Ø6*30mm	



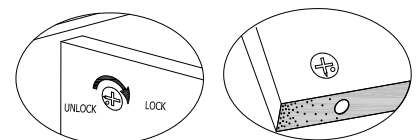
# STEP 20

B	X5
	
Ø15*9.5mm	

C	X2
	
Ø6*30mm	

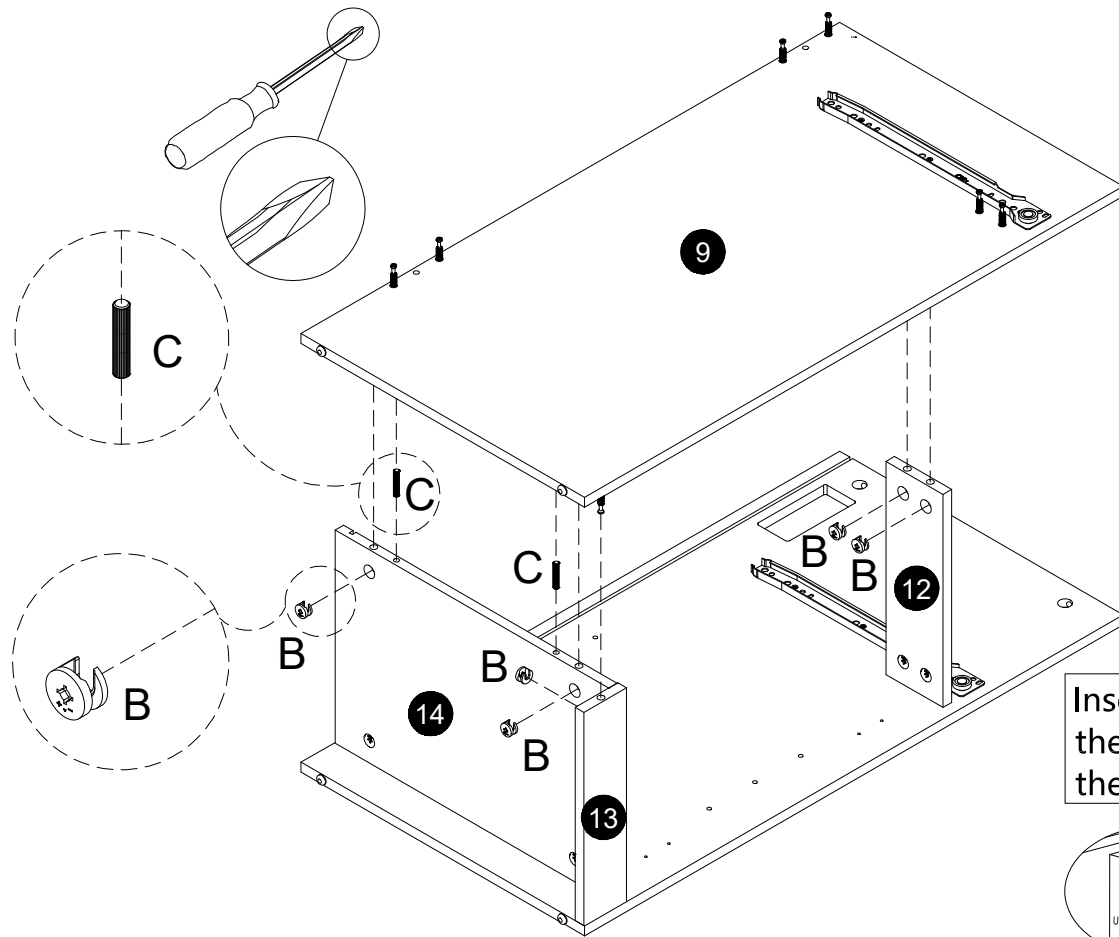



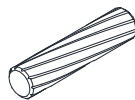
Insert the cam bolt into the hole first, then insert the cam lock and lock it.



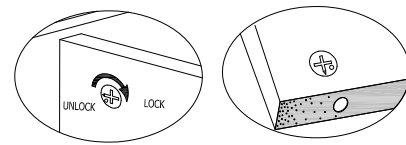
Proper orientation of CAM LOCK

# STEP 21



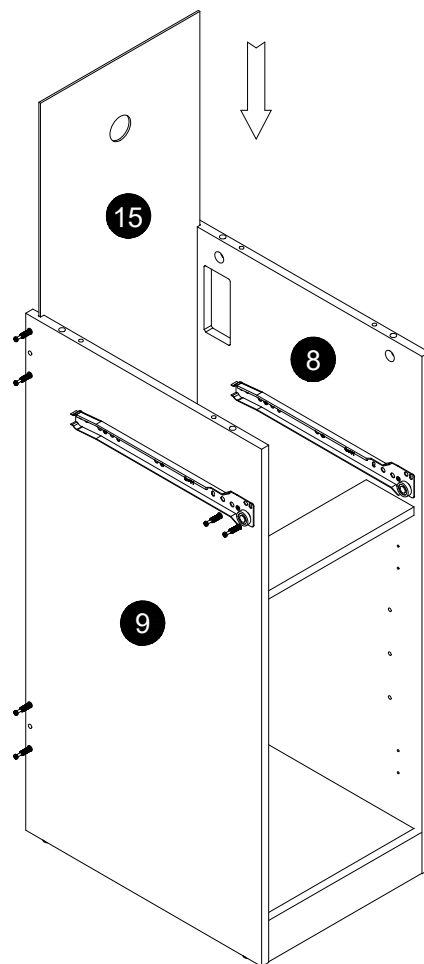
B	X5
	
$\text{\O}15*9.5\text{mm}$	
C	X2
	
$\text{\O}6*30\text{mm}$	

Insert the cam bolt into the hole first, then insert the cam lock and lock it.




Proper orientation of CAM LOCK

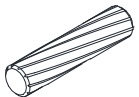
# STEP 22

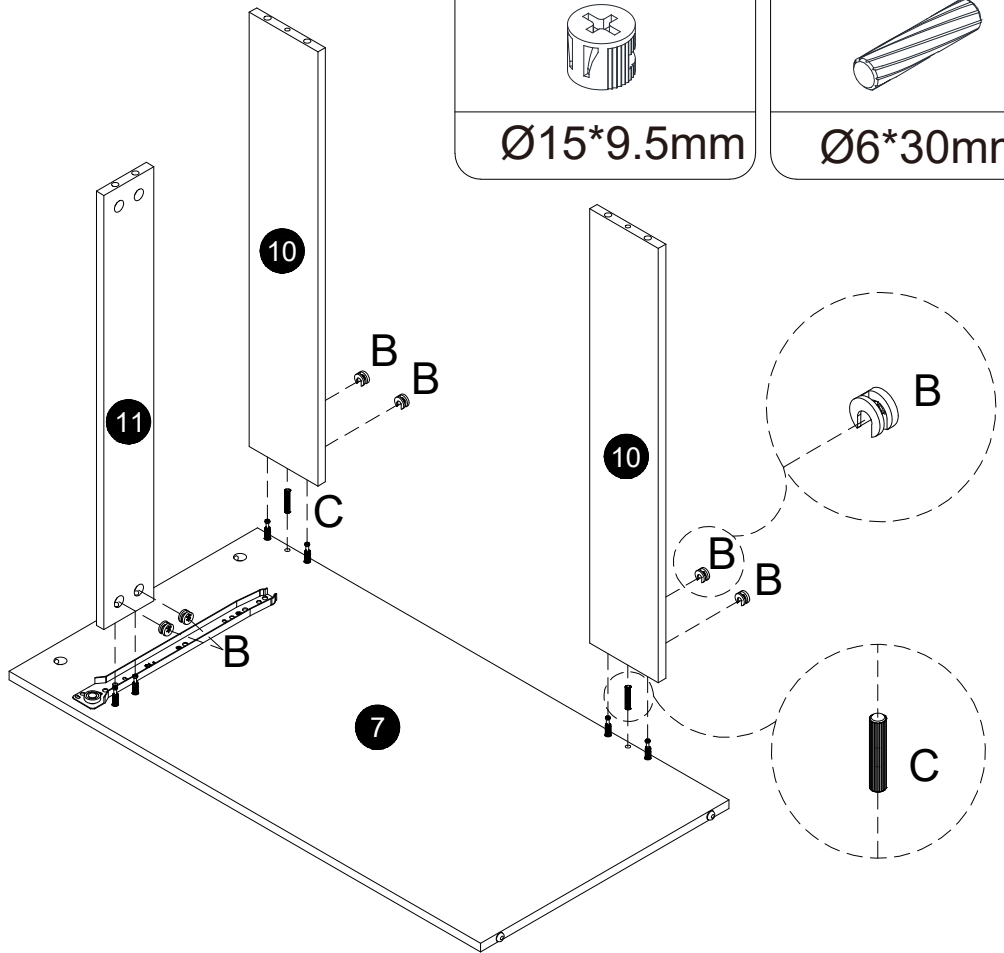
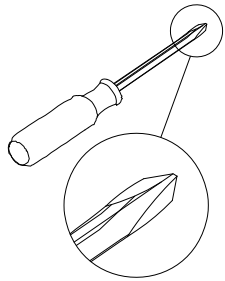


16

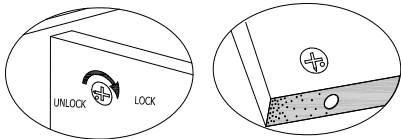
# STEP 23

B	X6
	
Ø15*9.5mm	

C	X2
	
Ø6*30mm	




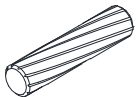
Insert the cam bolt into the hole first, then insert the cam lock and lock it.

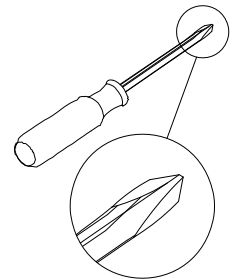
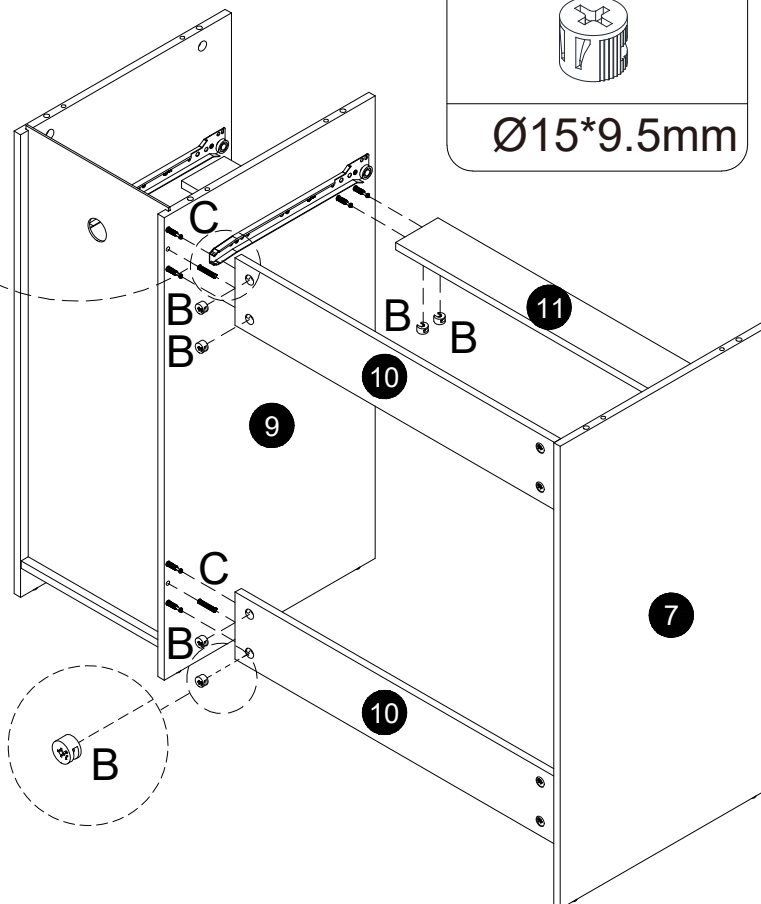
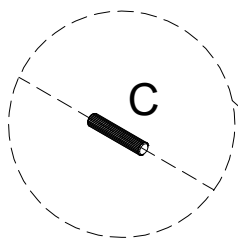


Proper orientation of CAM LOCK

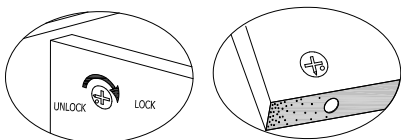
# STEP 24

B	X6
	
Ø15*9.5mm	

C	X2
	
Ø6*30mm	



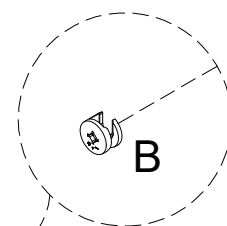
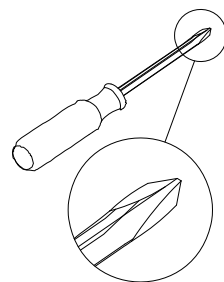
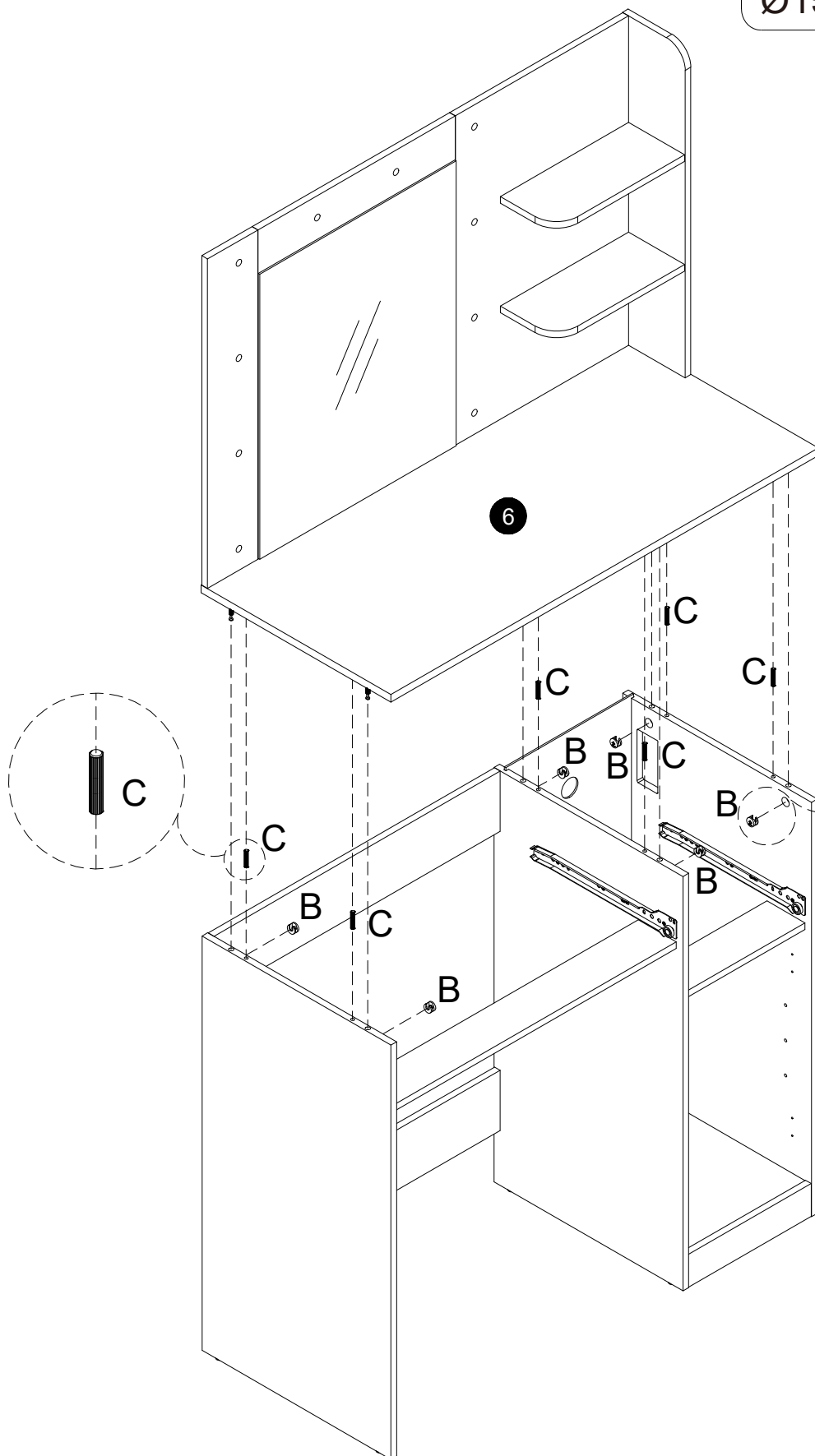
Insert the cam bolt into the hole first, then insert the cam lock and lock it.



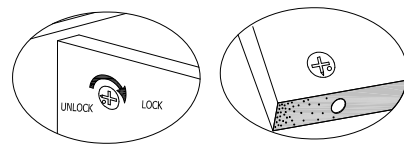
Proper orientation of CAM LOCK

# STEP 25

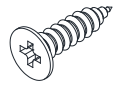
B	X6	C	X6
Ø15*9.5mm		Ø6*30mm	

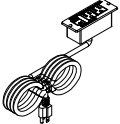


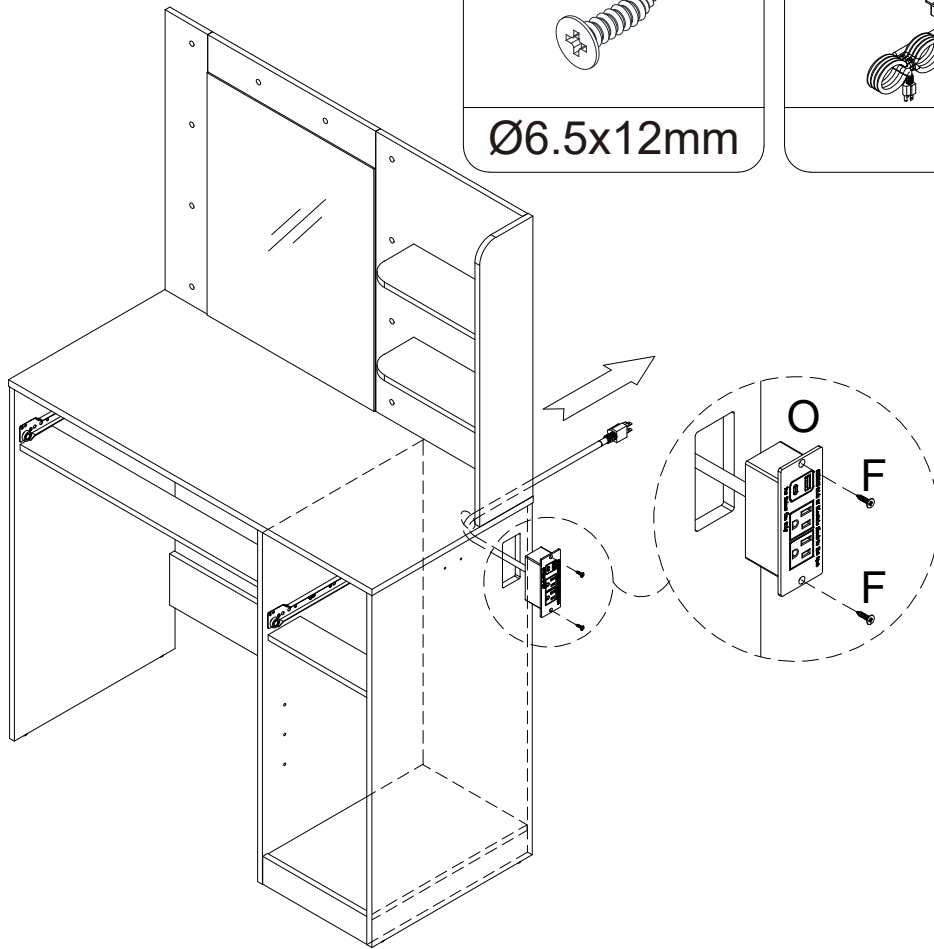
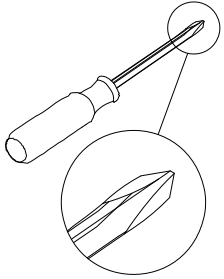
Insert the cam bolt into the hole first, then insert the cam lock and lock it.



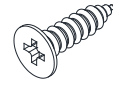
# STEP 26

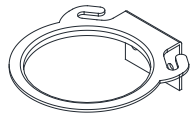
F	X2
	
Ø6.5x12mm	

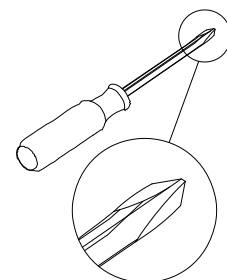
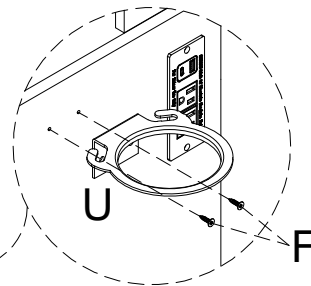
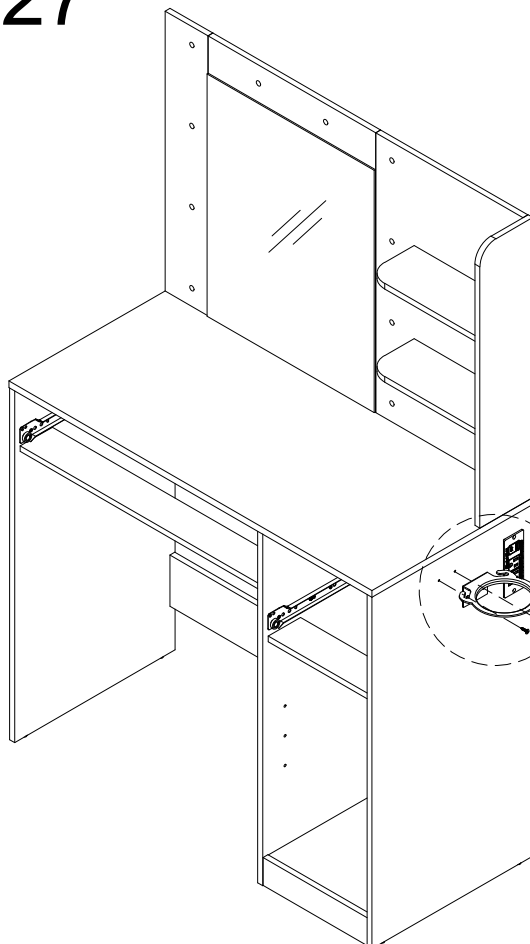
O	X1
	



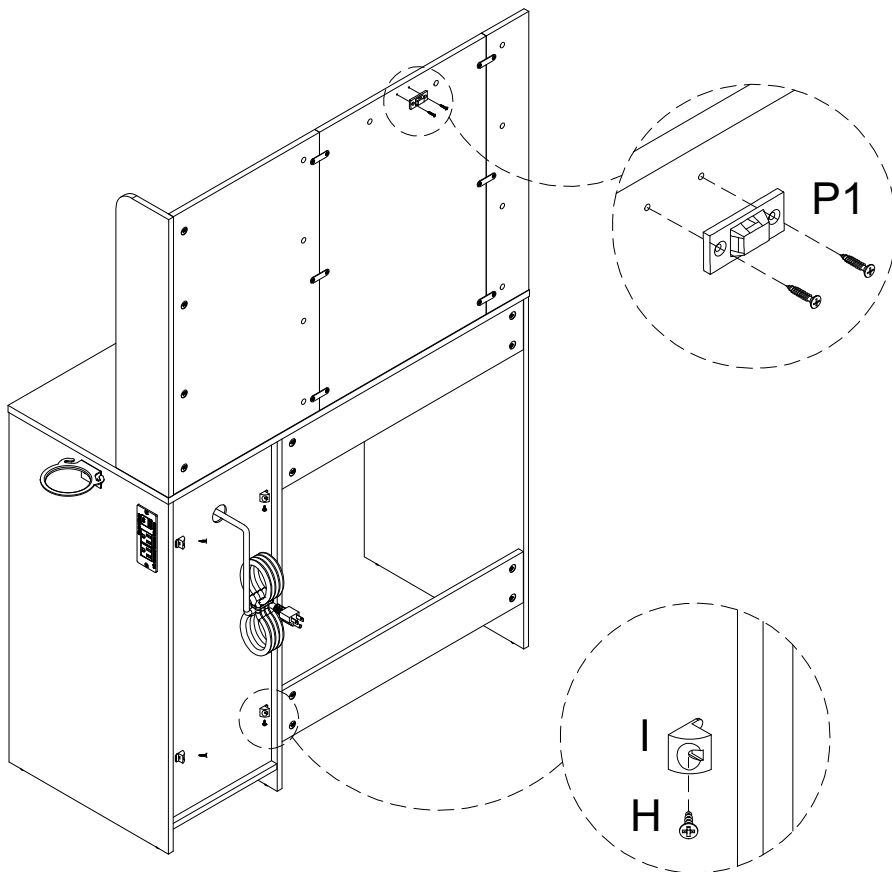
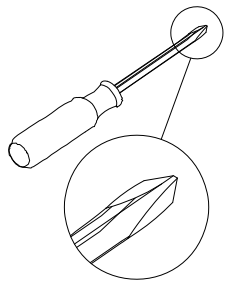
# STEP 27

F	X2
	
Ø6.5x12mm	

U	X1
	



# STEP 28



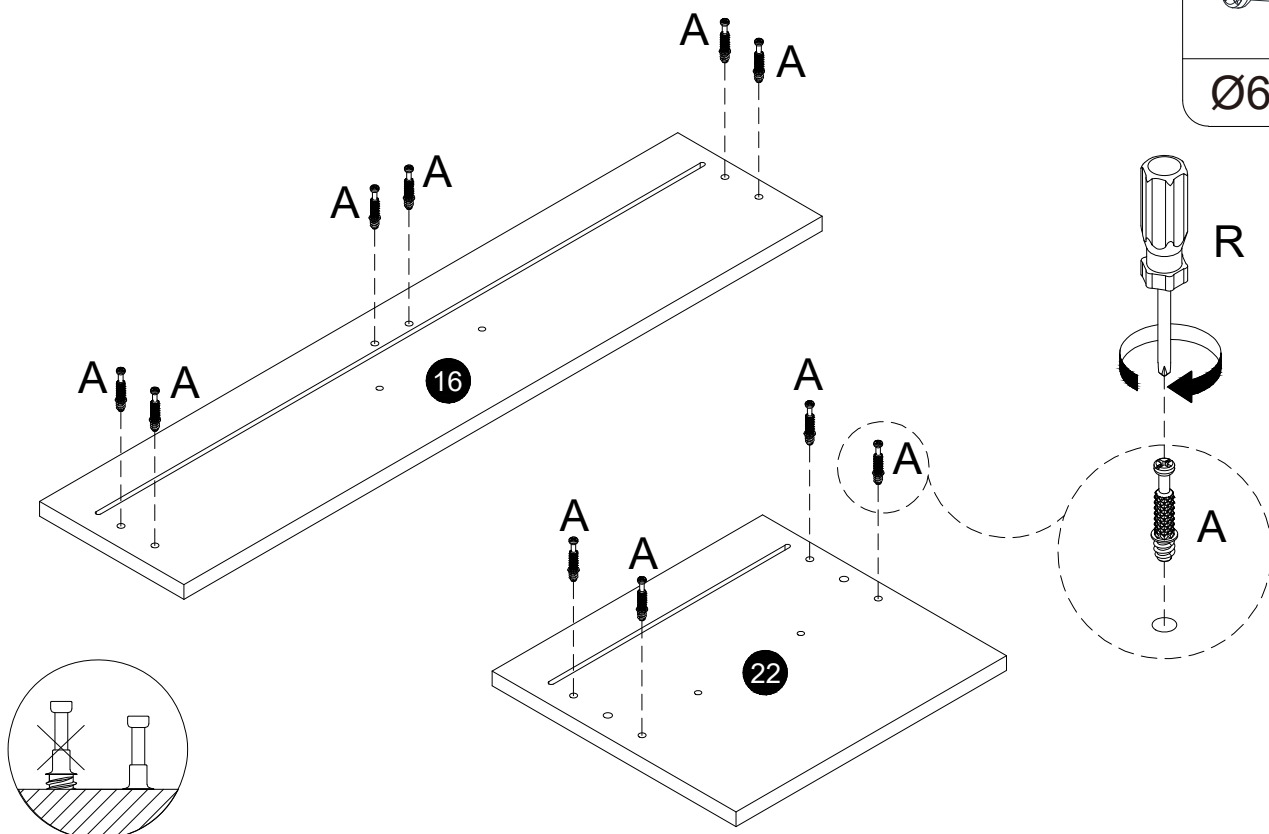
H	X4
Ø3x15mm	

I	X4

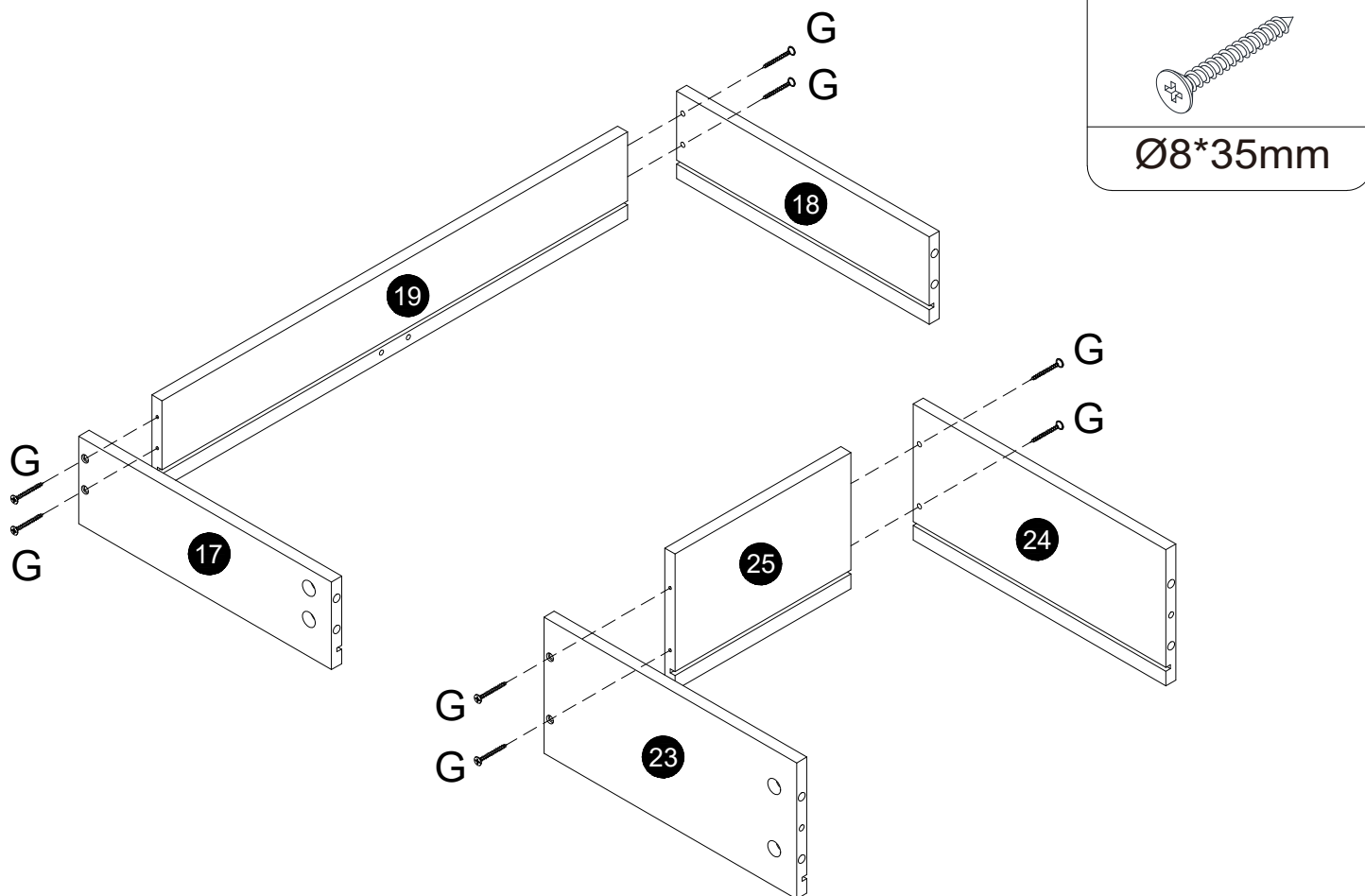
P1	X1

# STEP 29

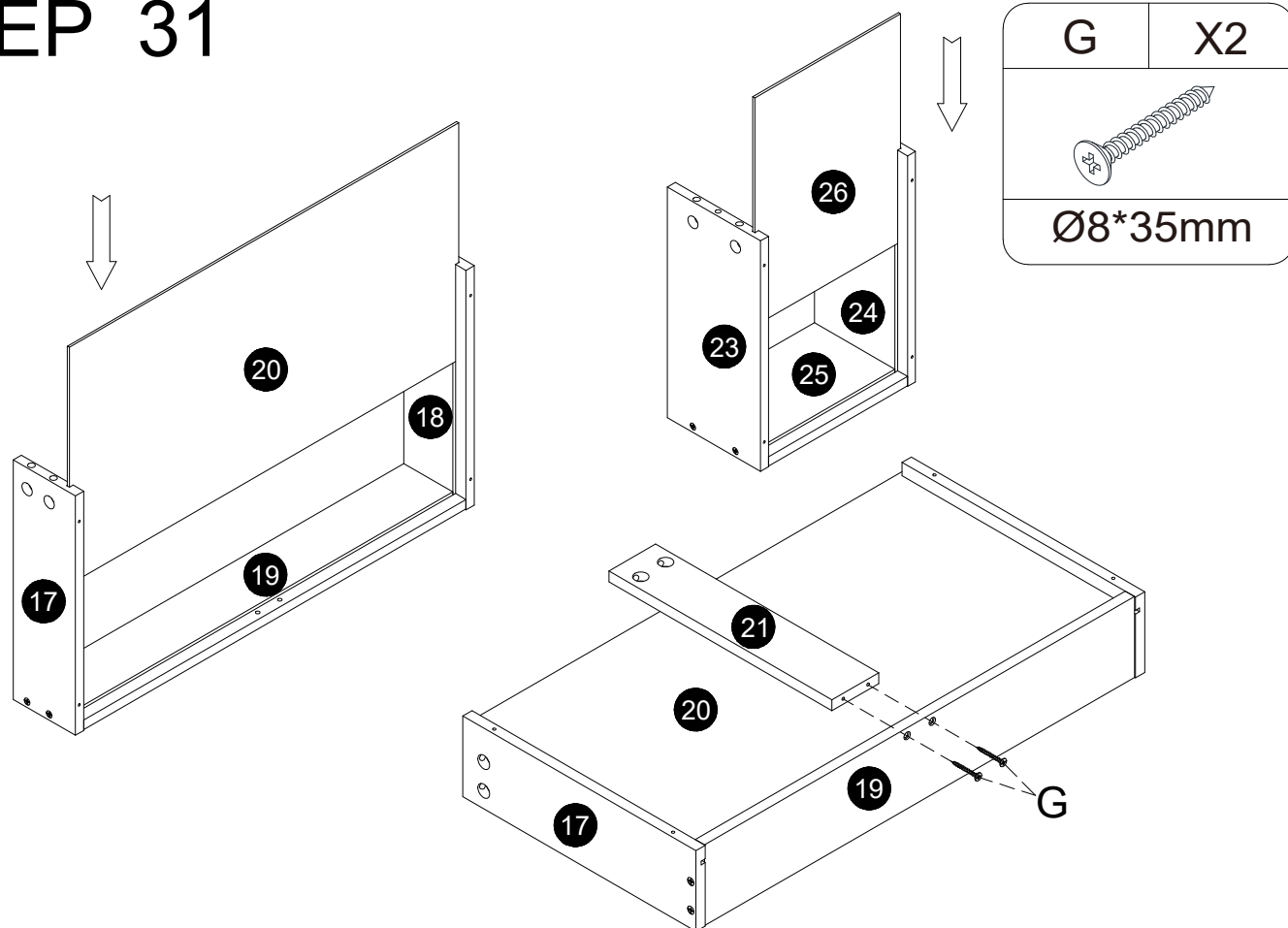
A	X10
Ø6x34mm	



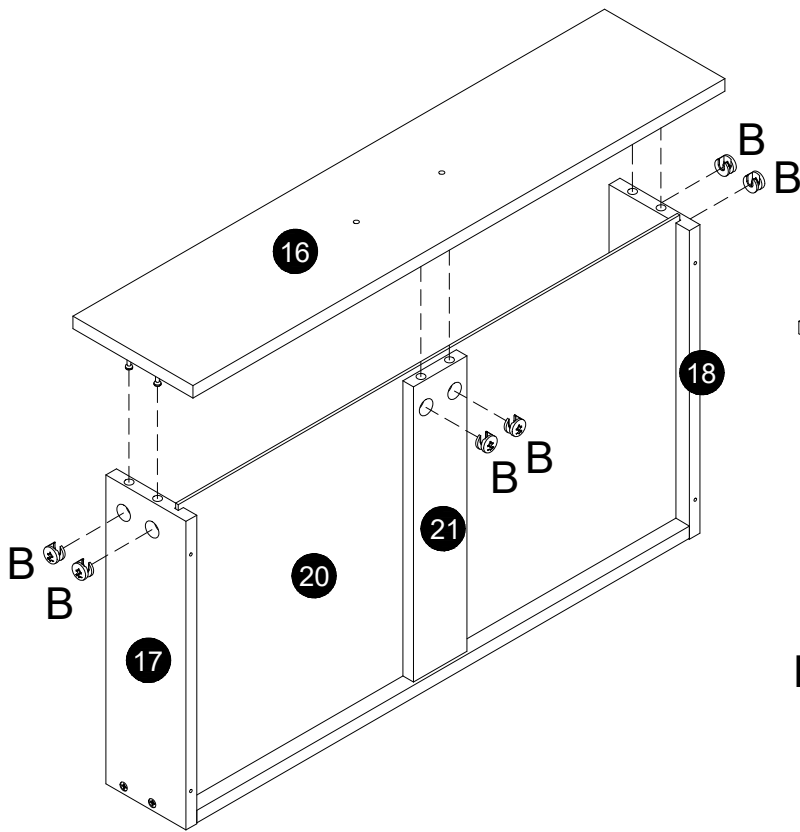
# STEP 30




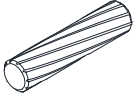
# STEP 31

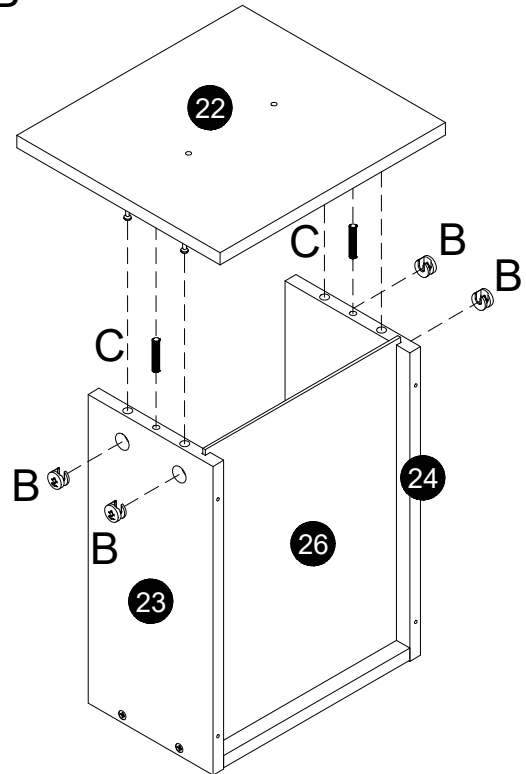


# STEP 32

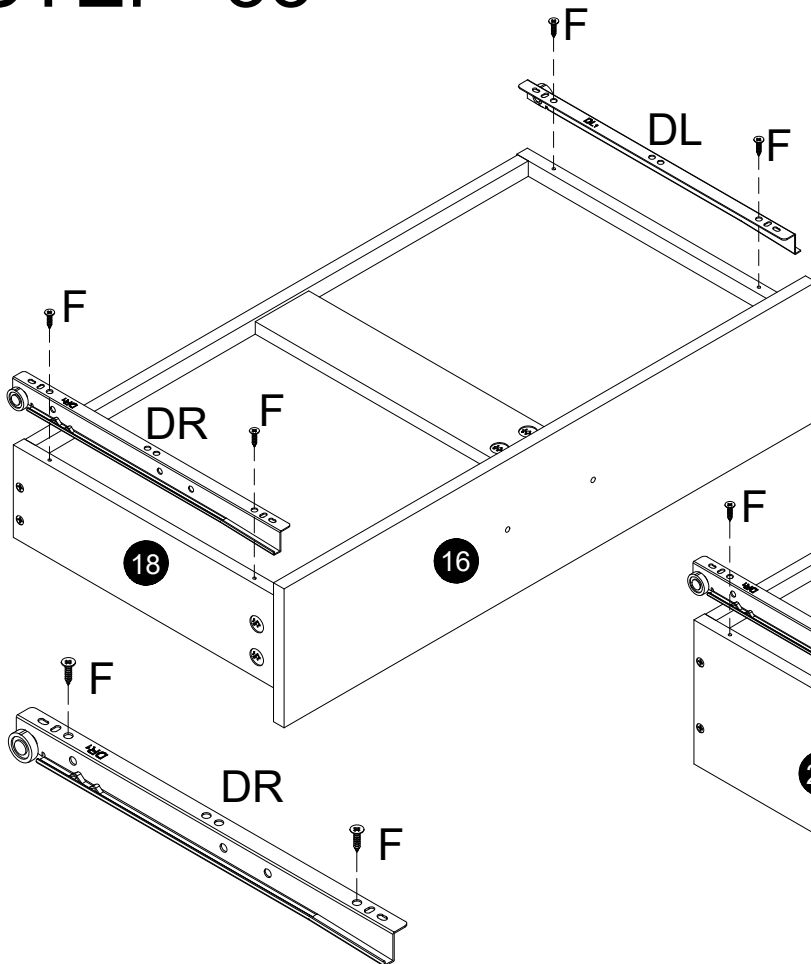


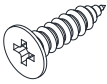
B	X10
	
Ø15*9.5mm	

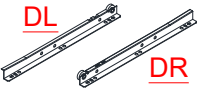
C	X2
	
Ø6*30mm	

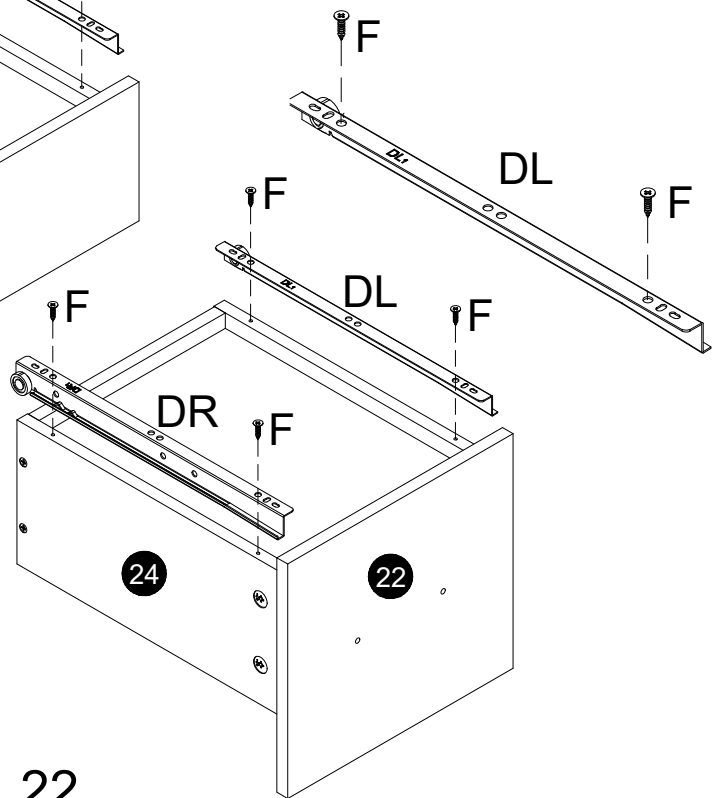


# STEP 33

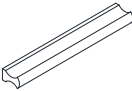


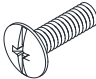
F	X8
	
Ø6.5x12mm	

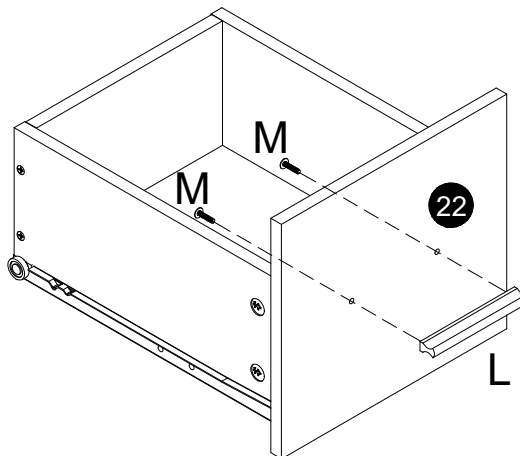
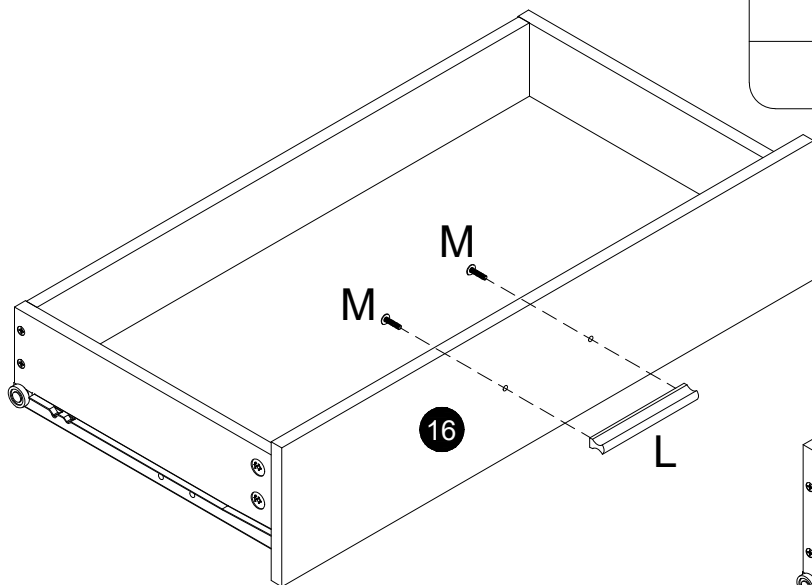
S	X2
	
L=300mm	



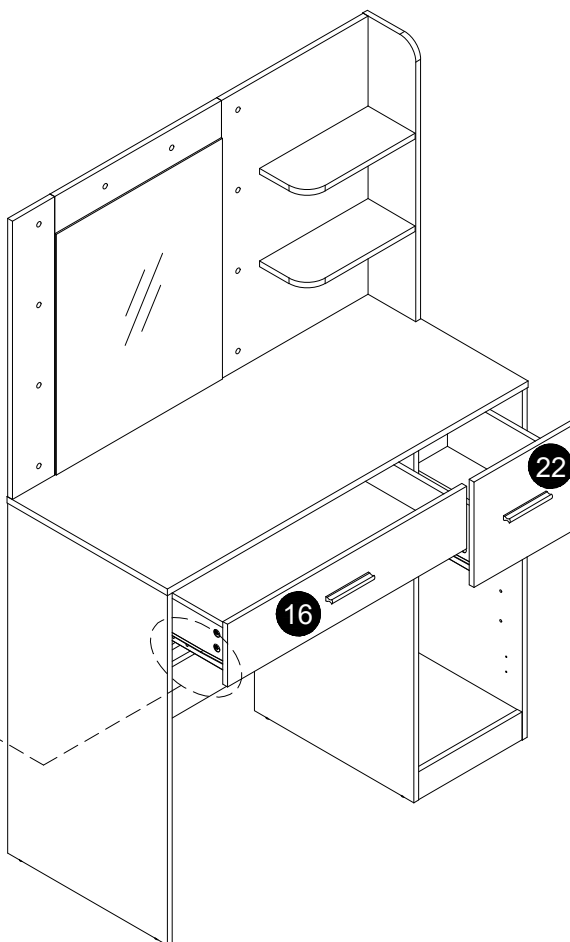
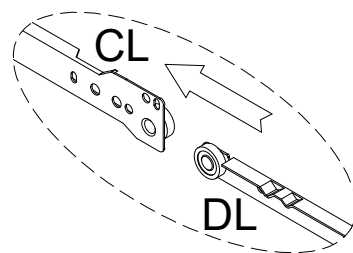
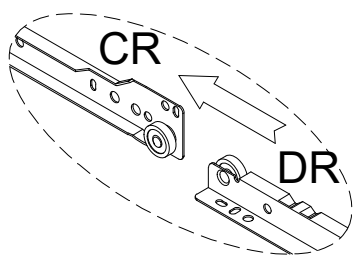
# STEP 34

L	X2
	

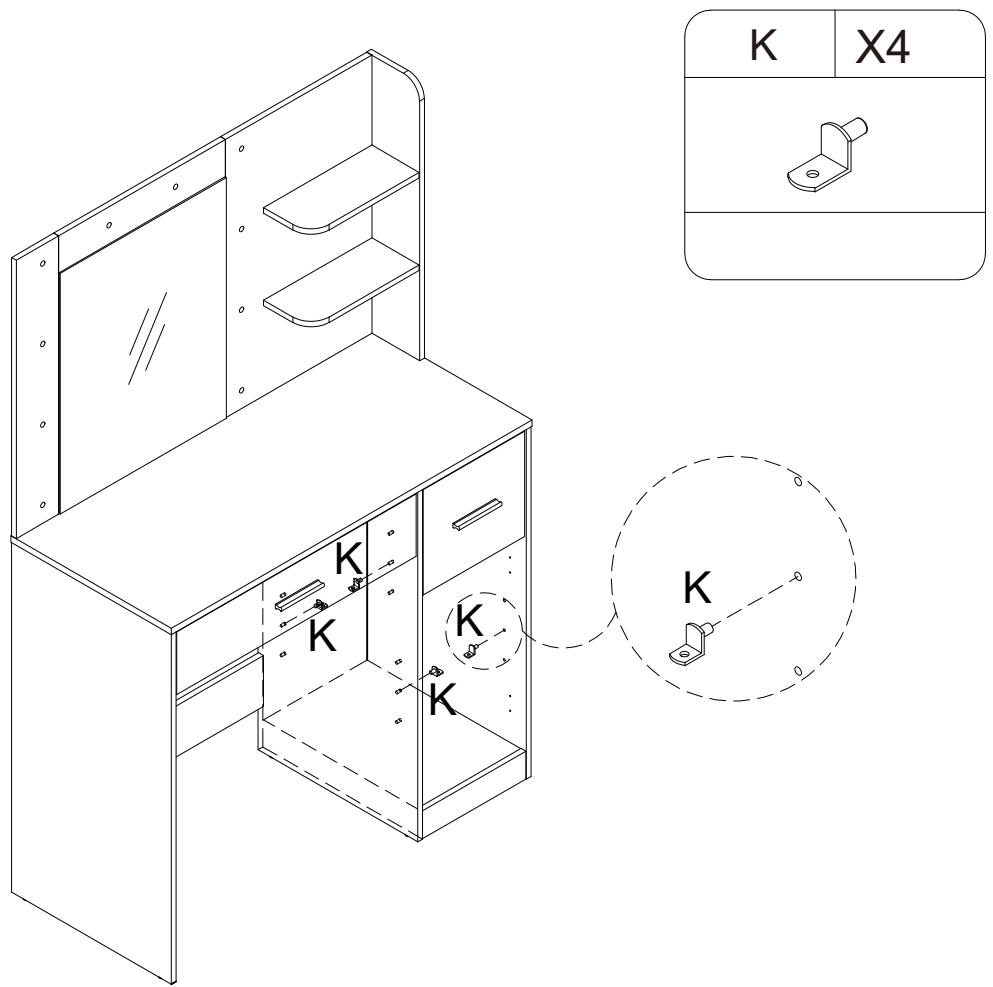
M	X4
	
Ø5/32"x16mm	



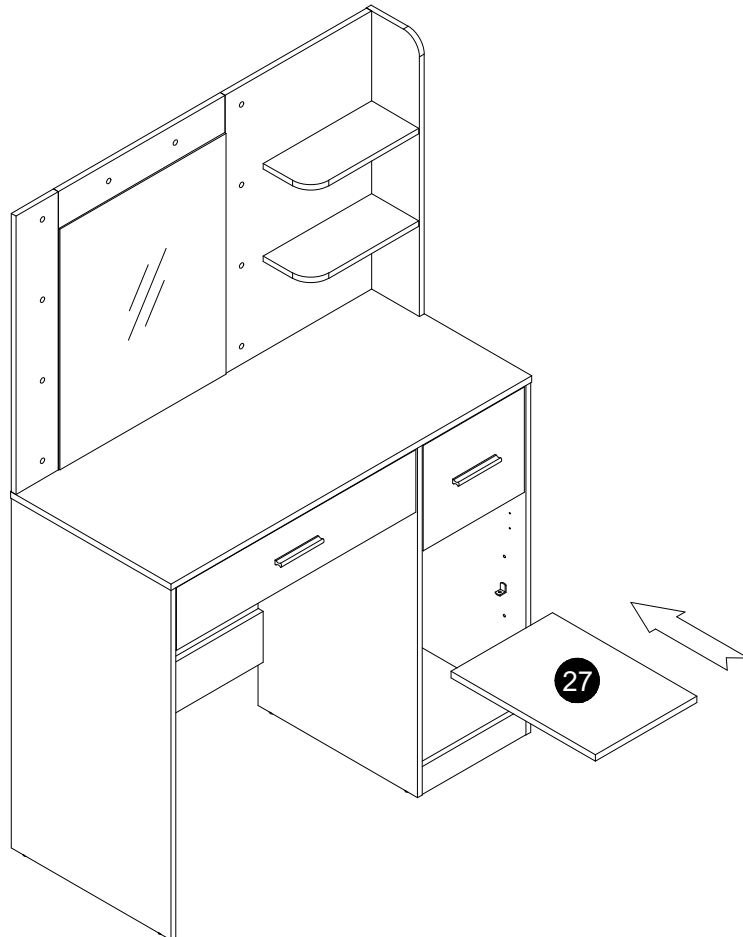
# STEP 35



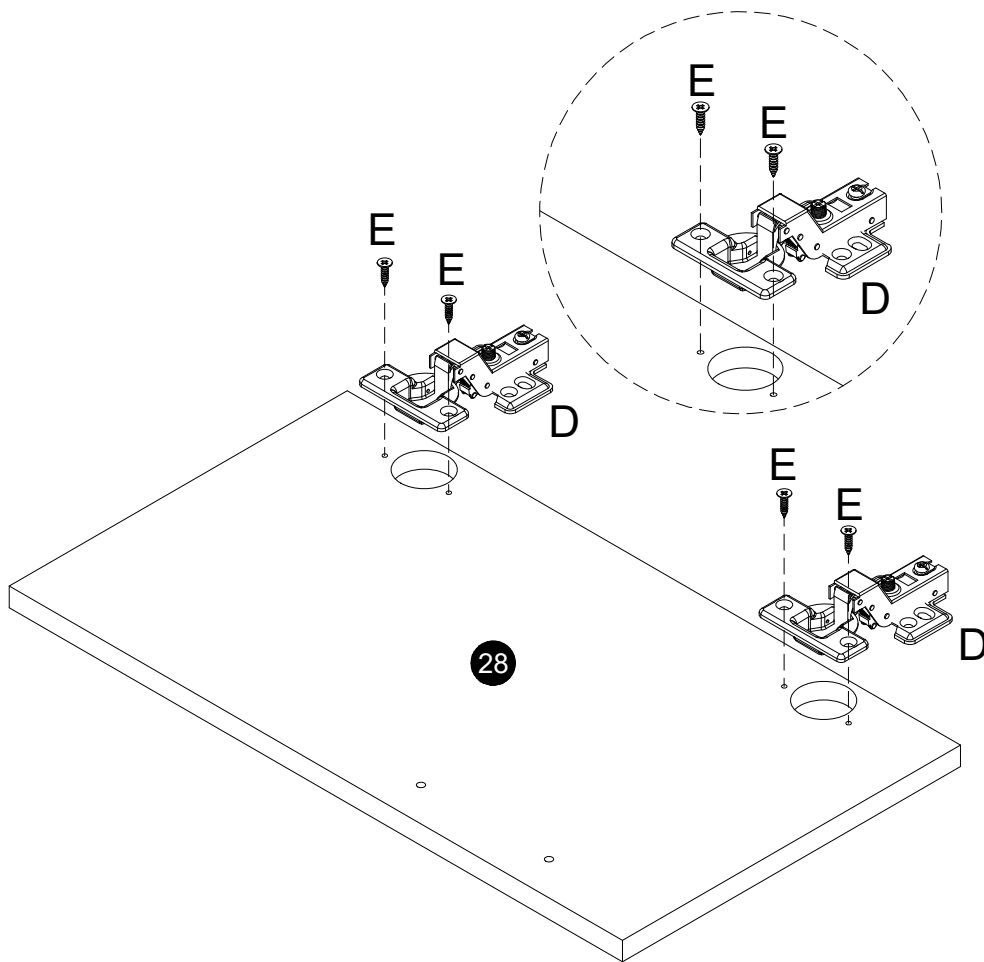
# STEP 36

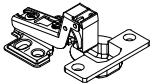


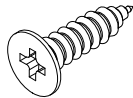
# STEP 37



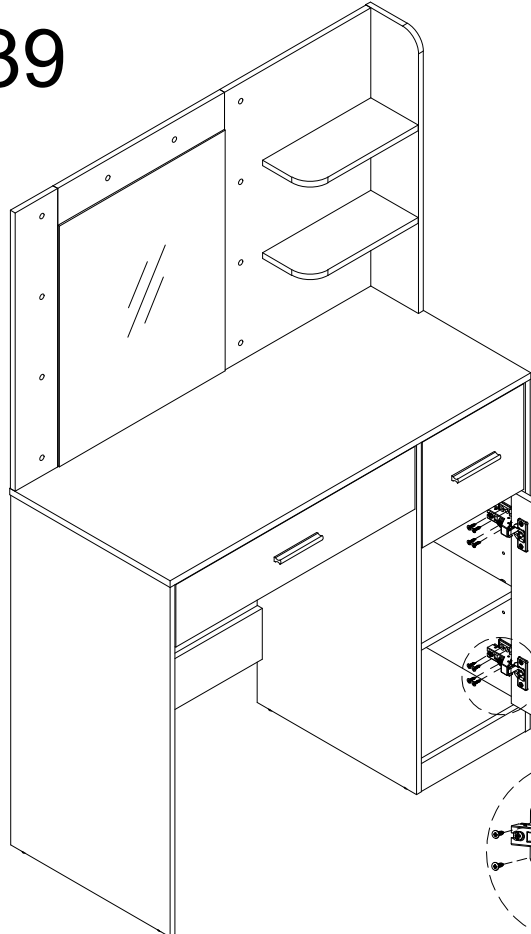
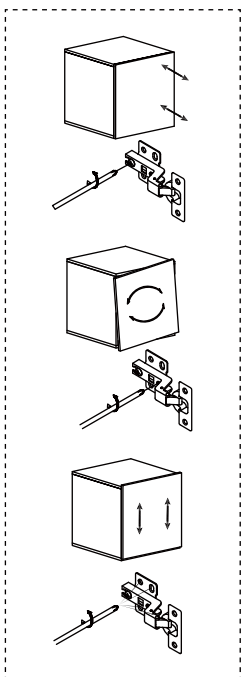
# STEP 38

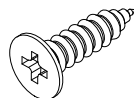


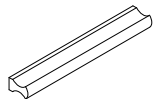
D	X2
	
Ø35mm	

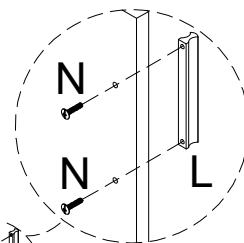
E	X4
	
Ø8*12mm	

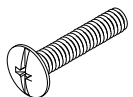
# STEP 39

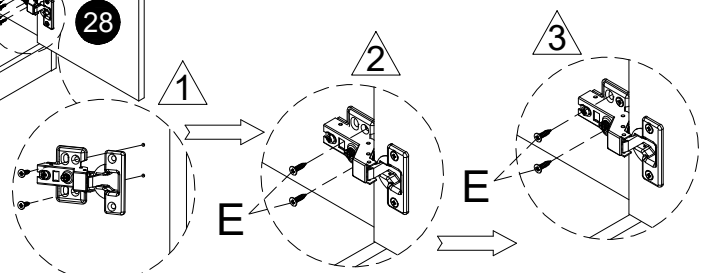


E	X8
	
Ø8*12mm	

L	X1
	



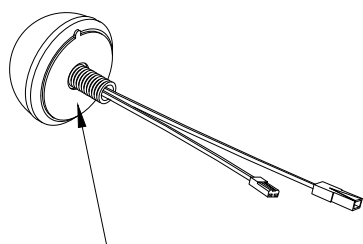
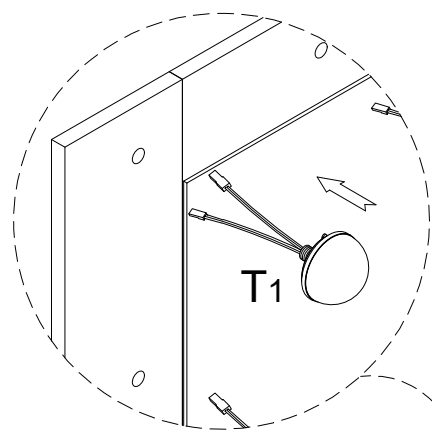
N	X2
	
Ø5/32*18mm	



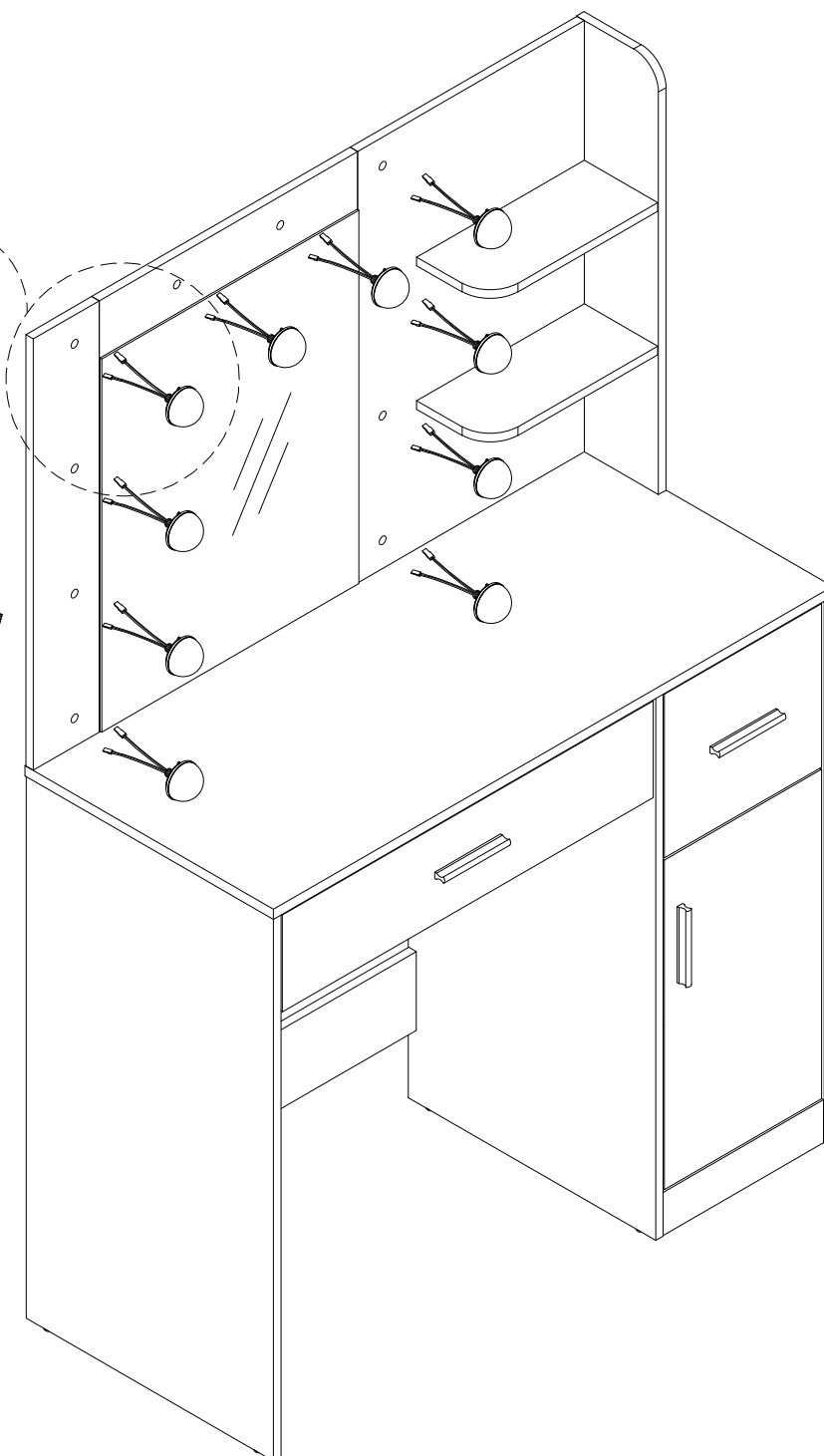
NOTE: After assembling the door, if there are any gaps or misalignment, adjust the hinges as shown right.

# STEP 40

Pass the bulb wire through the pre punched plate, then gently press the bulb and make it adhere to the plate.



Tear off a layer of 3M polyethylene foam.

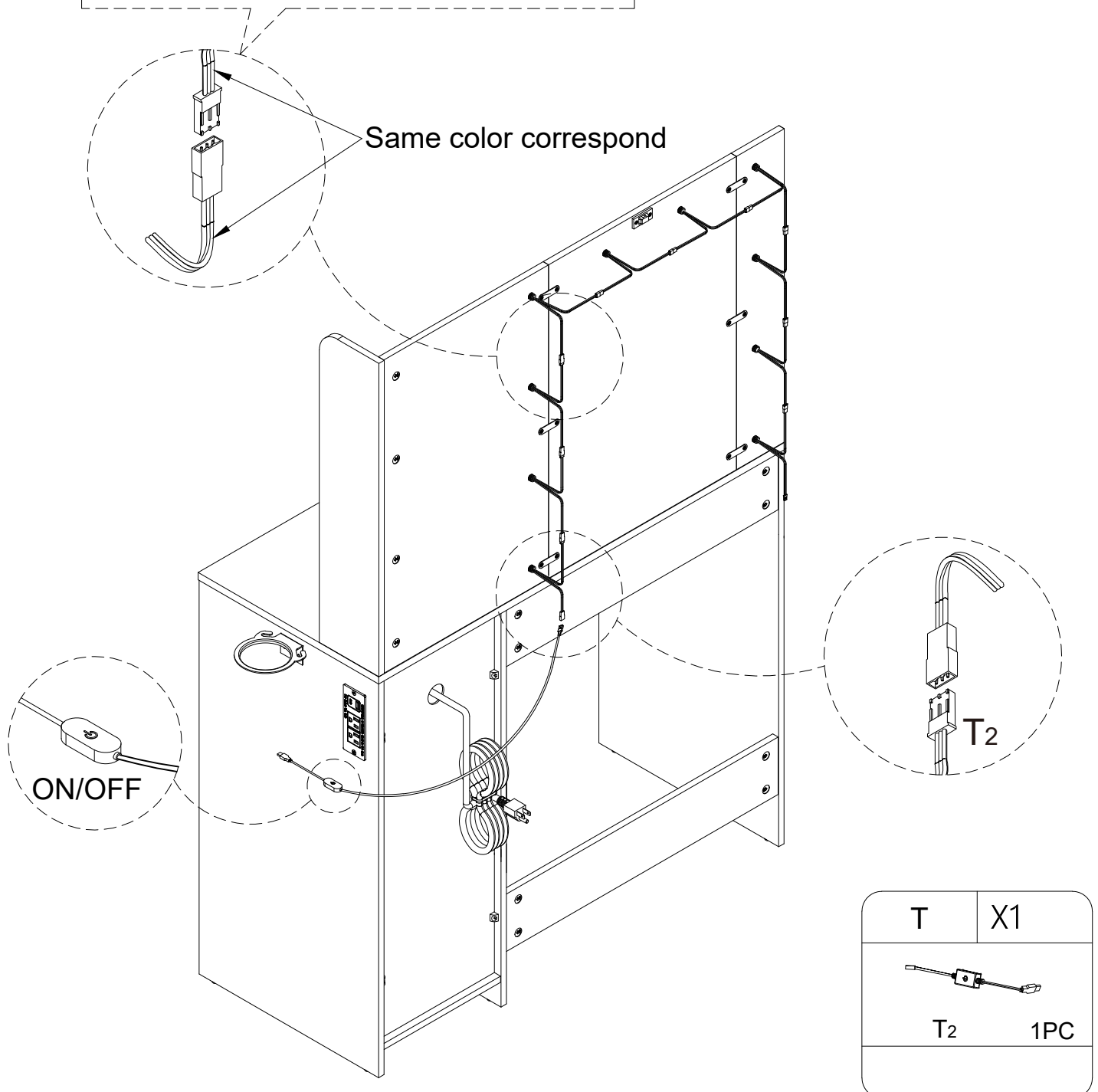


T	X1
T1	10PCS

# STEP 41

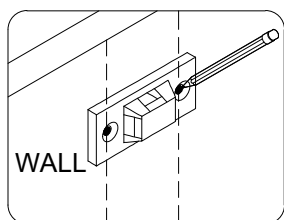
Pass the bulb wire through the pre punched plate, then gently press the bulb and make it adhere to the plate, and then connect the adjacent bulbs successively through the wire head slot on the opposite (corresponding to the line of the same color)

When connecting the interface, please note that the colors of the wires at both ends correspond one by one.

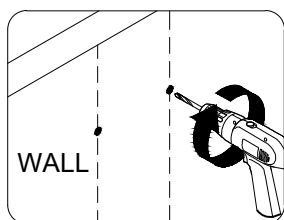


# STEP 42

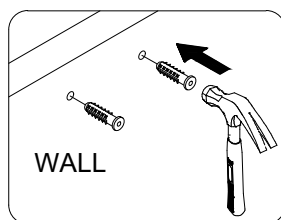
Install the tipping restraint hardware



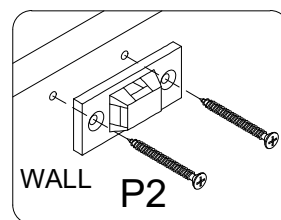
1. make mark on the wall



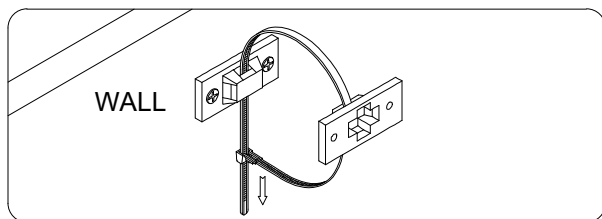
2. drill two Ø6 holes on the wall



3. put two anchors in the holes



4. fix the device on the wall by the long screws



5. Push the cabinet close to the wall so that the two bases are close to each other, and then put on nylon tie to tighten it

