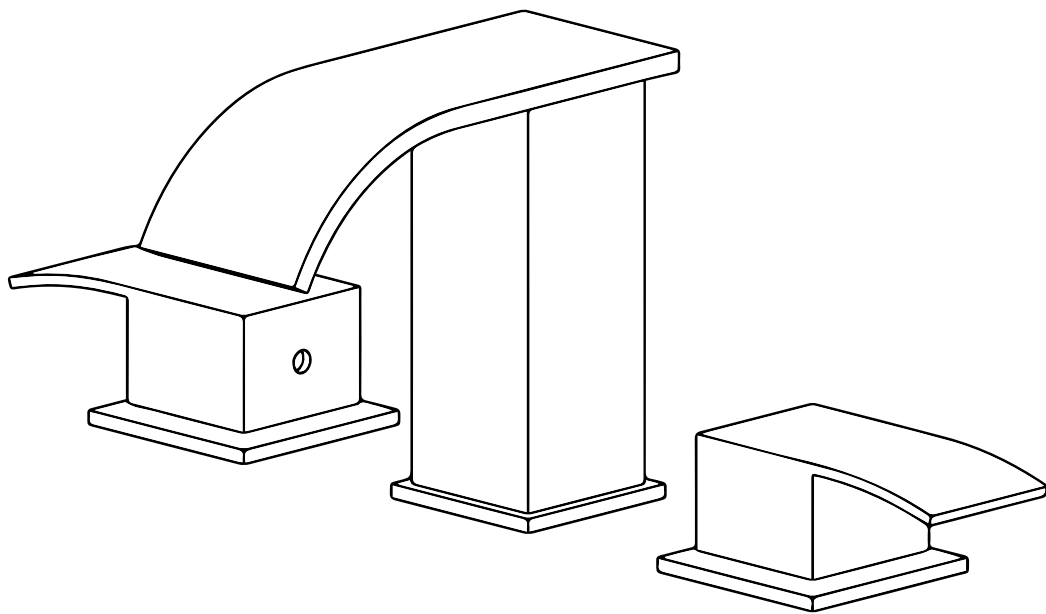


Installation Manual



83017 SERIES

Wide Spread Basin Faucet

INDEX

1. Installation Guide P01
2. Installation Instruction P02

**Read all instruction steps before installation.
Clean all dirt in the angle valve and turn off it before installation.**

Installation Guide



1. Connect the inlet hose to the hole of handle body. (The hose with blue line is connected to the blue "cold" label, so does the red one)



2. Place the faucet and the handle bodies in holes. Then lock the nuts by hand



3. Use a phillips screwdriver to tighten the screws

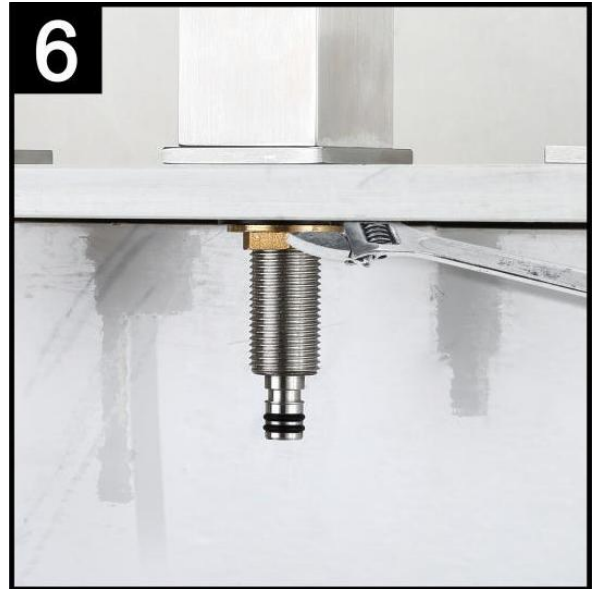


4. Install the other side of the inlet hose to the angle valve.(The hose with blue line is connected to the angle valve that supplies cold water)

Installation Guide



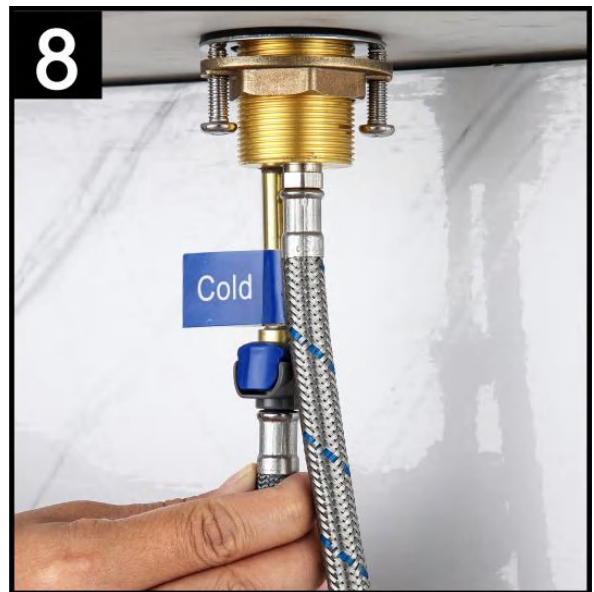
5. Screw the nut and washer to the faucet by your hand



6. Tighten the nut by wrench



7. Connect the quick connector to the faucet body



8. Attach the **right** hose quicker connector to the **left-side** handle body, so does the left one

Installation Guide



9. All the hoses install like this



10. Turn on the angle valve and faucet to check if there is any leakage in all the connection parts

Notice

- * Please read the instruction steps carefully before installation.
- * Please check components according to the part list in the manual. If any parts missing, please contact us.
- * Please pay more attention to the cleaning of this product. To clean, simply then wipe gently with a damp cloth and blot dry with a soft towel. Avoid touching sharp objects. Avoid using acidic detergent to touch the surface of faucet as it may cause corrosion.
- * If you have any problem with this purchase, please contact with us. Our Email: (Service@rainlex-store.com), we will do whatever it takes to solve your issues.