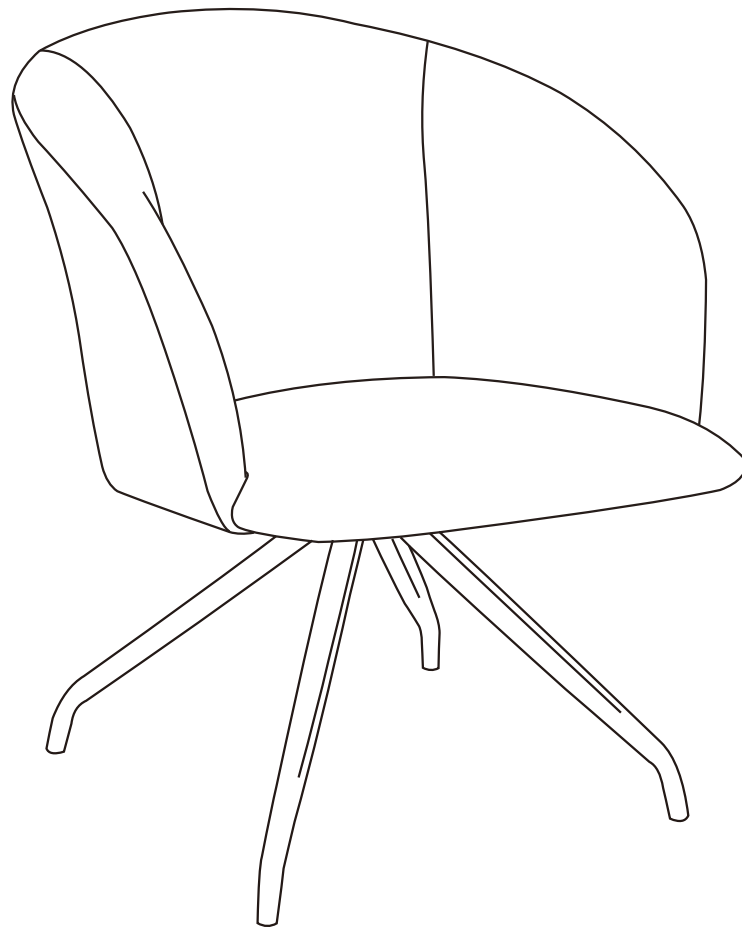


# Instruction Manual

## Swivel Chair



# CONTENTS

---

<b>Safety and care advice</b>	<b>1</b>
<b>Components</b>	<b>2</b>
<b>Assembly instructions</b>	<b>4</b>
<b>Copyright</b>	<b>6</b>

# ⚠ SAFETY AND CARE ADVICE ⚠

---

## PLEASE READ THESE INSTRUCTIONS CAREFULLY AND KEEP FOR FUTURE REFERENCE

- **Warning:** Please lift with care.
- Check you have all the components and tools listed on pages 2 and 3.
- Remove all fittings from the plastic bags and separate them into their groups.
- Keep children and animals away from the work area, small parts could choke if swallowed.
- Make sure you have enough space to lay out the parts before starting.
- Do not stand or put weight on the product, this could cause damage.
- Assemble the item as close to its final position (in the same room) as possible.

- Assemble on a soft level surface to avoid damaging the unit or your floor (use opened out unit carton).



- We do not recommend the use of power drill/drivers **for inserting screws**, as this could damage the unit. Only use hand screwdrivers.
- Dispose of all packaging carefully and responsibly.

## CARE AND MAINTENANCE

---

- Only clean using a damp cloth and mild detergent, do not use bleach or abrasive cleaners.
- From time to time check that there are no loose screws on this unit.

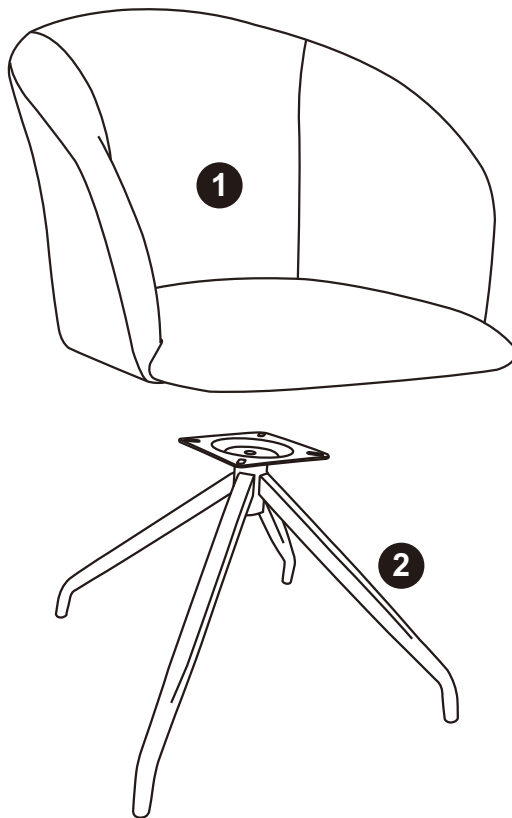
- This product should not be discarded with household waste. Take to your local authority waste disposal center.

**Note** *If required the next page can be cut out and used as reference throughout the assembly. Keep this page with these instructions for future reference.*

# COMPONENTS

---

Please check you have all the panels listed below:



1	Chair seat	x1	2	Chair base	x1
---	------------	----	---	------------	----



# COMPONENTS

---

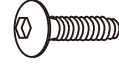
Please check you have all the fittings listed below:

A



Screw M6 x16mm x 2

B



Screw M6 x 25mm x 2

C





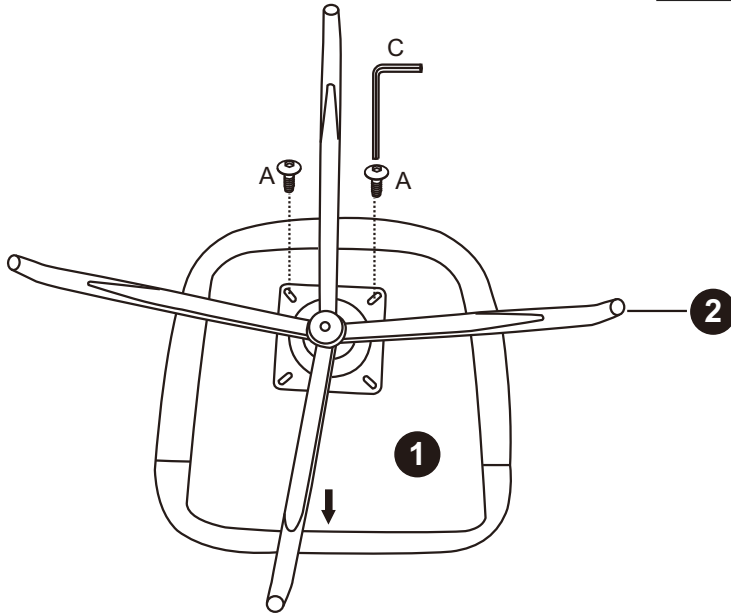
Wrench x 1



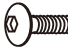

# ASSEMBLY INSTRUCTIONS

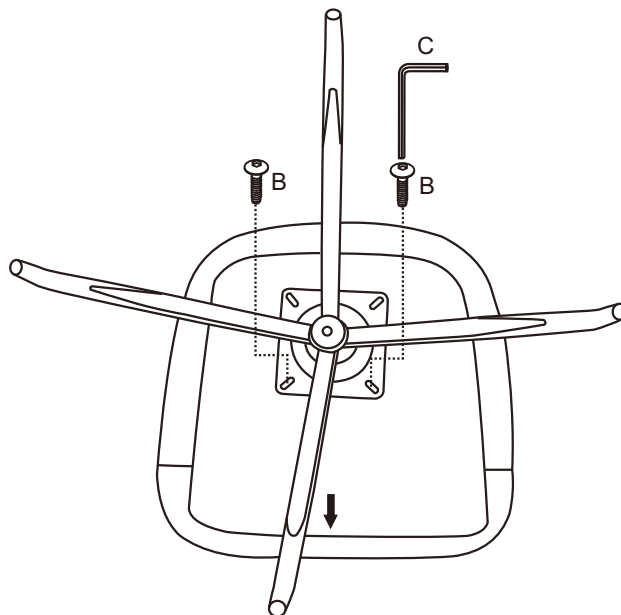
## Step 1

A		2	
C		1	



## Step 2

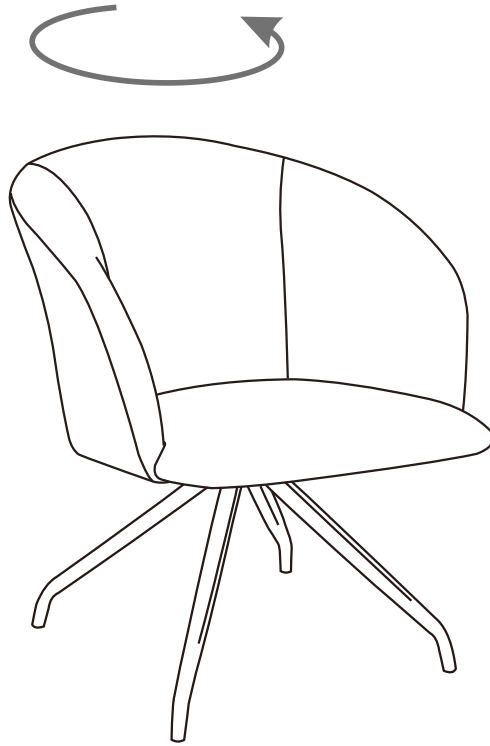
B		2	
C		1	



# ASSEMBLY INSTRUCTIONS

---

Step 3



Congratulations! Now you have finished assembling the product.

## **IF YOU FIND A DEFECTIVE PART**

---

We fully stock all parts and components. Any defective part can be quickly replaced. Take note of the defective part number in manual and we will arrange a quick replacement.

## **COPYRIGHT**

---

All material in this instruction manual is copyrighted  
Any unauthorised use may violate worldwide copyright, trademark and other laws.