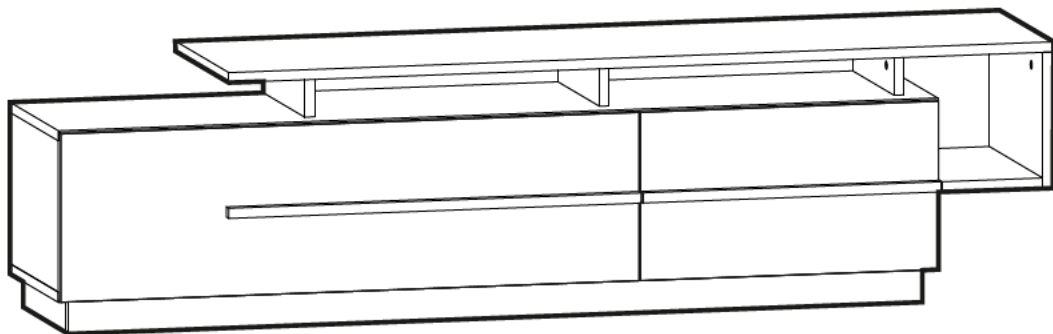
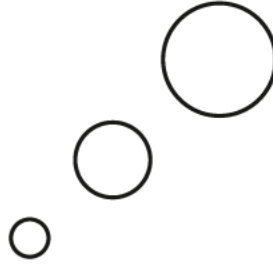
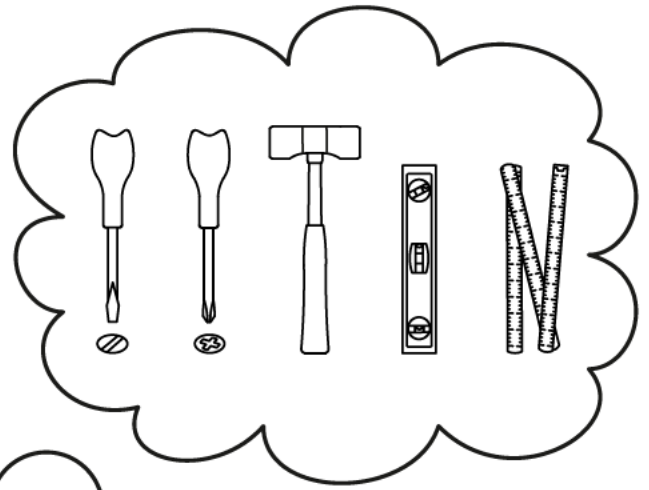
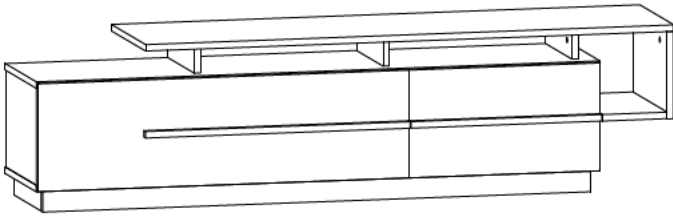


# TV Stand

## Assembly Instruction

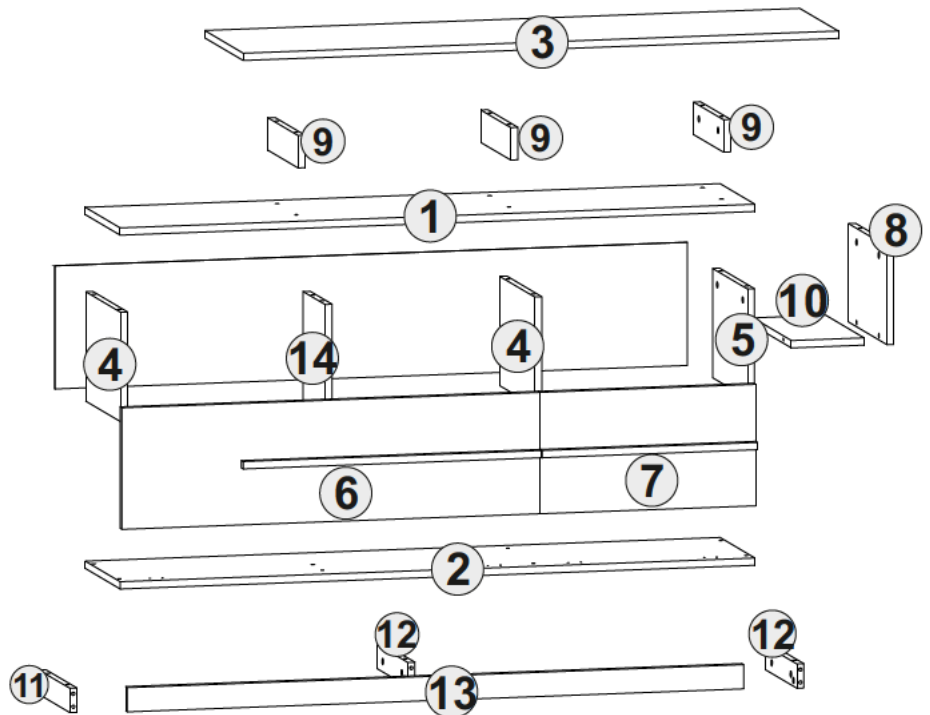


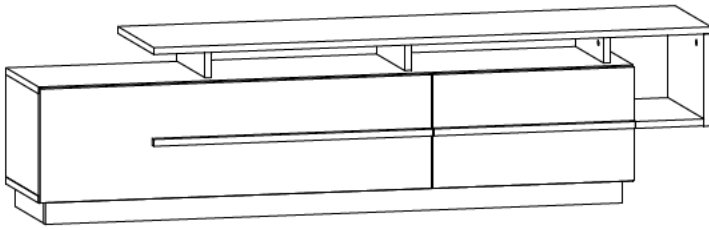


## Disassembled Parts

Part#1	1x
Part#2	1x
Part#3	1x
Part#4	2x
Part#5	1x
Part#6	1x
Part#7	1x
Part#8	1x
Part#9	3x
Part#10	1x
Part#11	1x
Part#12	2x
Part#13	1x
Part#14	1x

**Total 18x**





## Tools & Installation Components



A23 Q10 minifix screw

27x



A02 15x14 minifix head

27x



A17 6x50 screw

16x



A19 3,5x18 screw

16x



K20 Dowel Q8x30

3x



C01 concealed hinge base

4x



C04 aks37 hinge mounting plate

4x



A28 nail

20x



Q15 larger sticker

16x

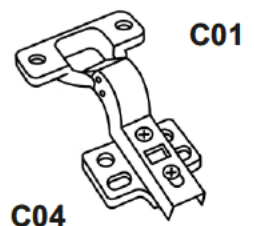


A22 3,5x35 Screw

5x



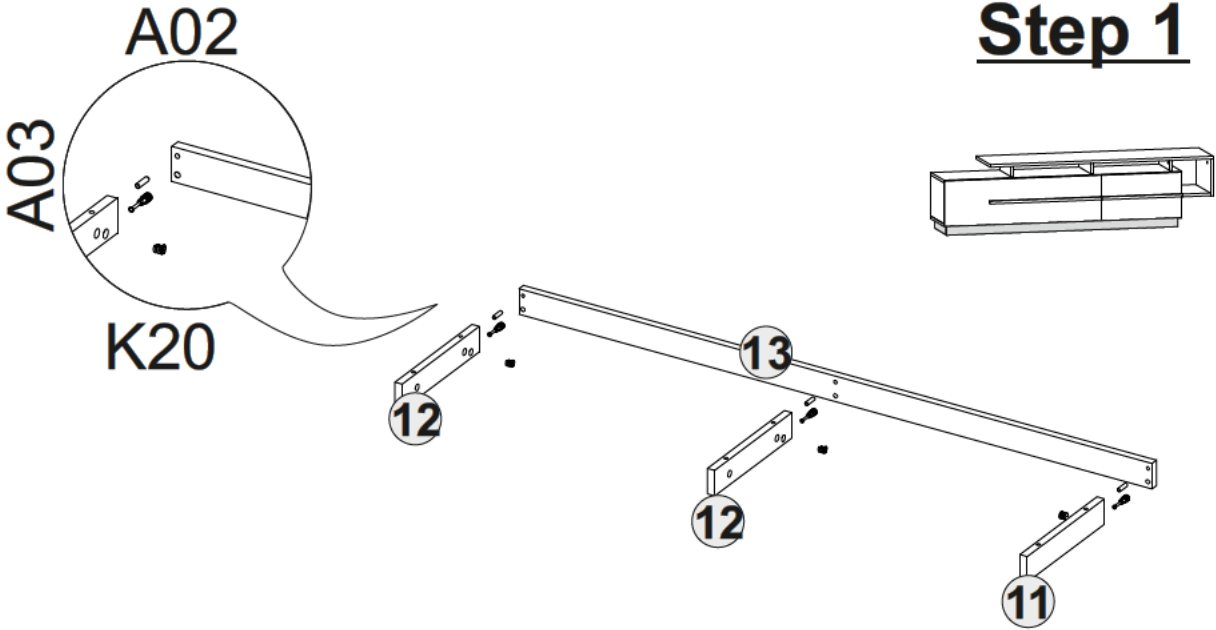
Please be aware that C01(bracket) and C04(pivot) parts may come as attached together.



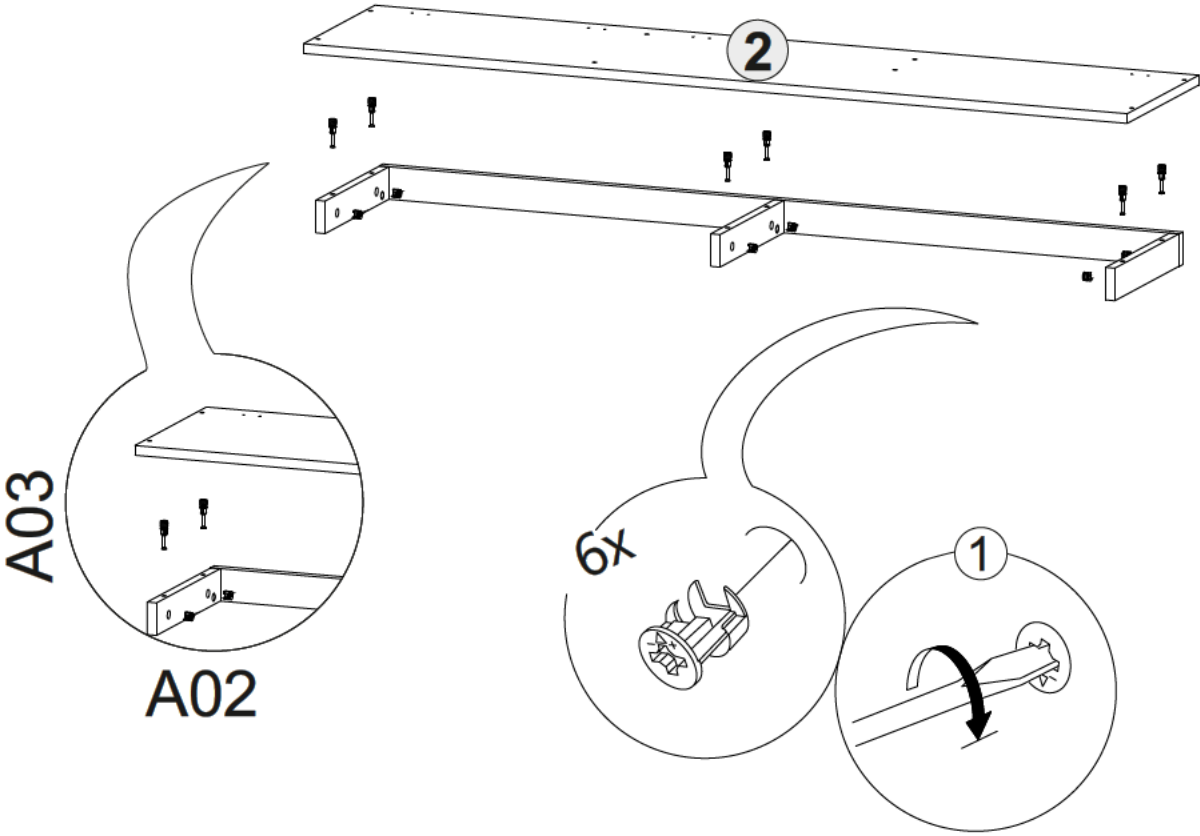
C04

C01

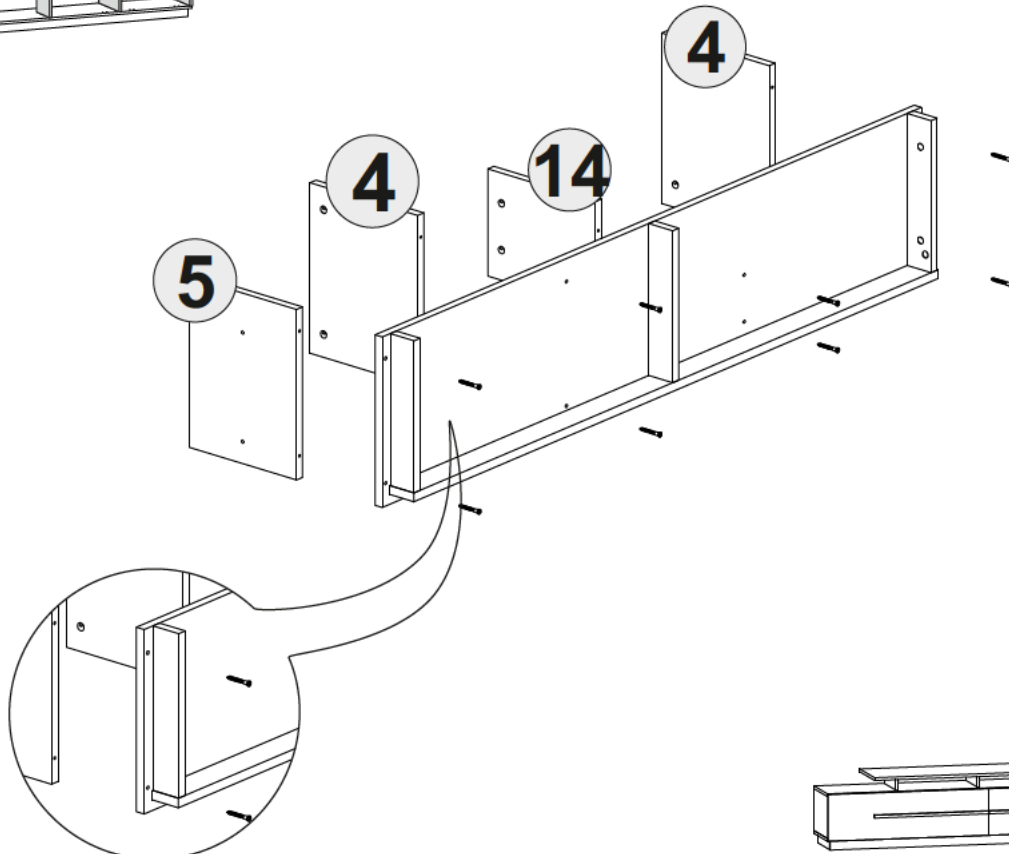
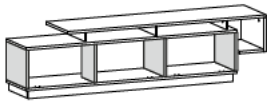
# Step 1



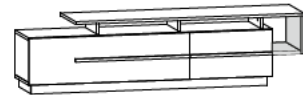
# Step 2



# Step 3

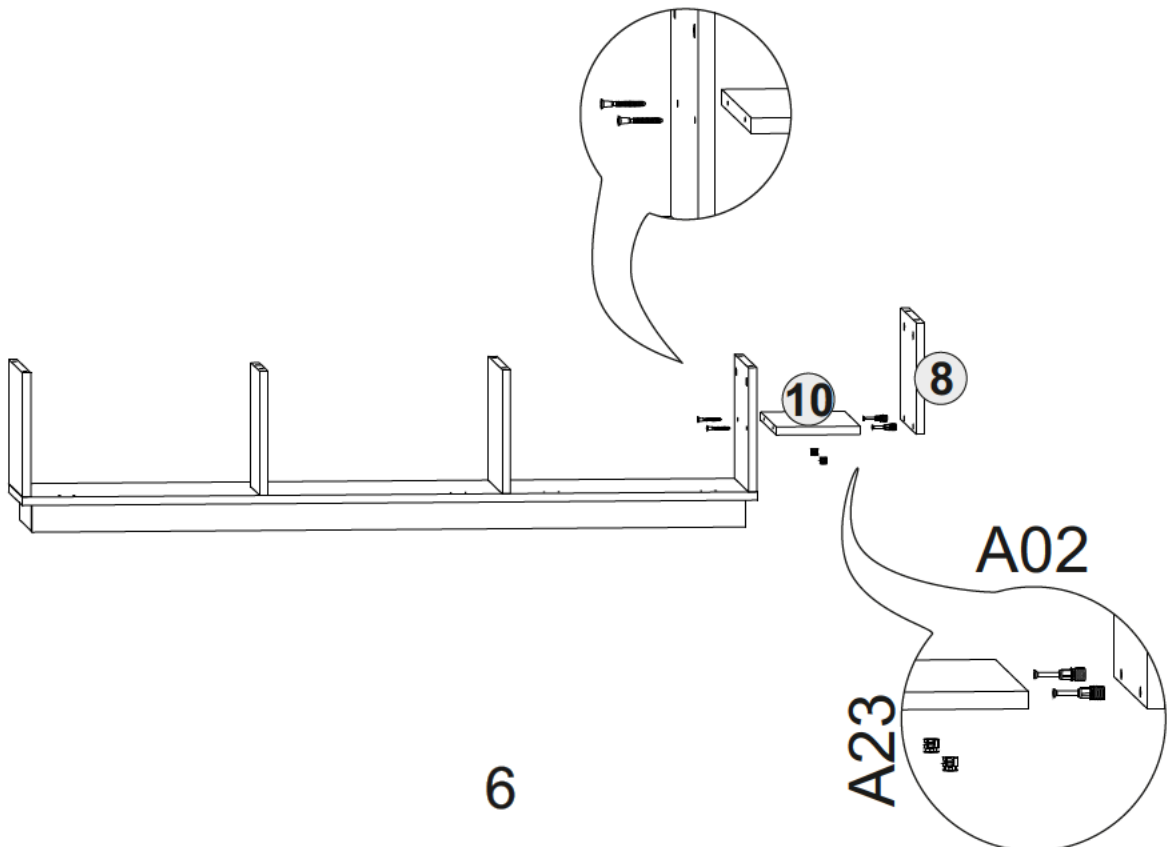


A17



# Step 4

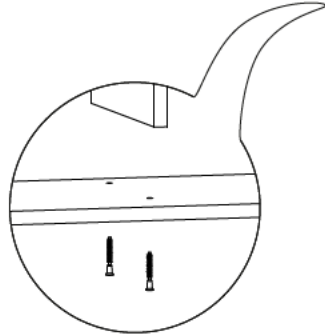
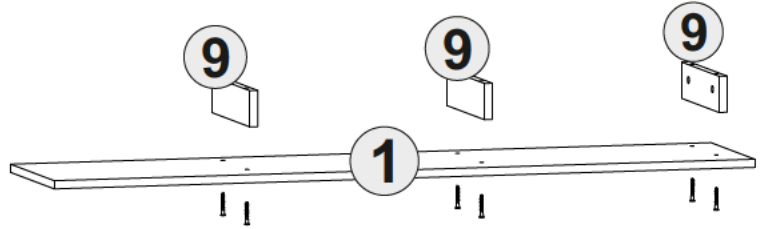
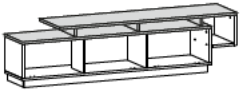
A17



A02

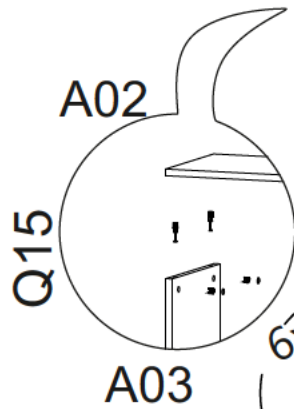
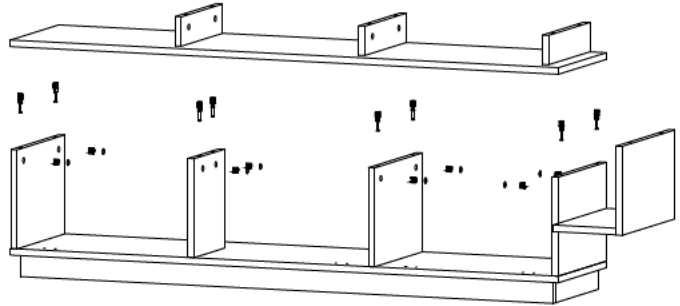
A23

# Step 5



A17

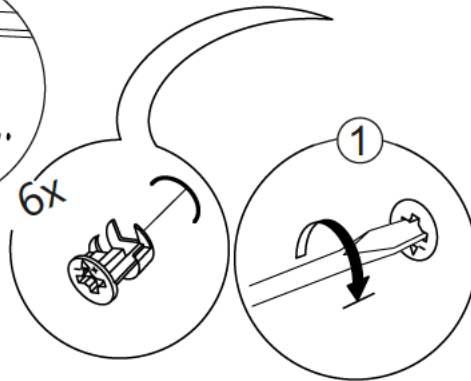
# Step 6



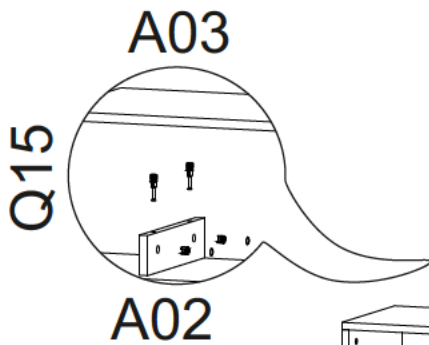
A02

Q15

A03



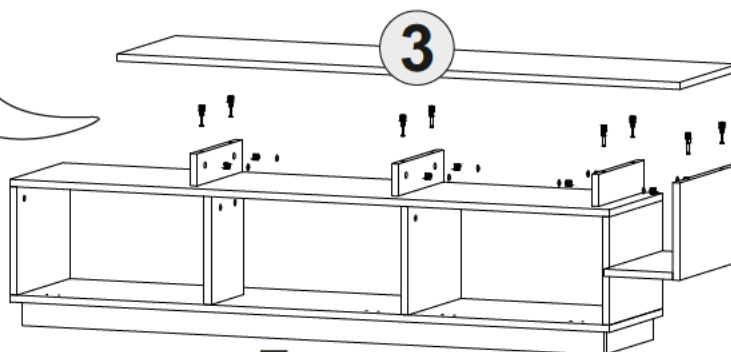
# Step 7



A03

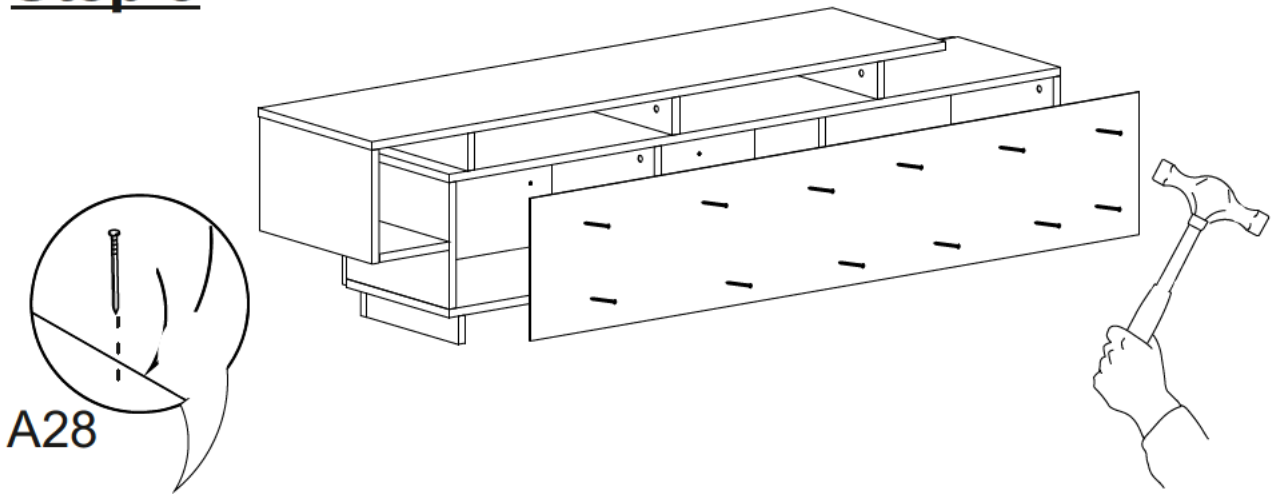
Q15

A02

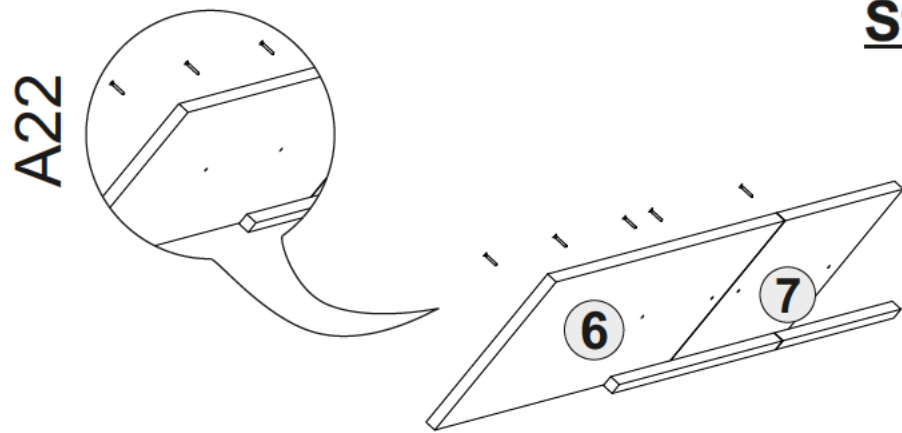


3

# Step 8



# Step 9



# Step 10

