

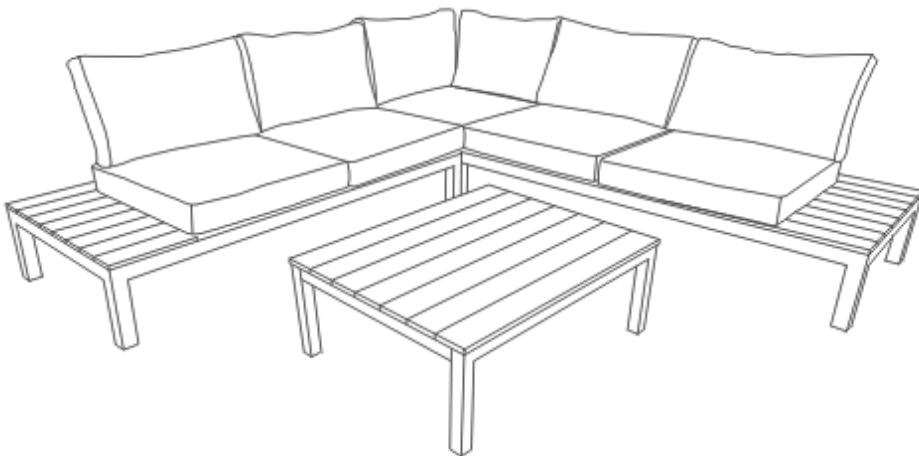
ASSEMBLY INSTRUCTIONS

TOOLS REQUIRED



Allen Wrench

(Included)



**2 - People
Recommended**

ASSEMBLY RATING

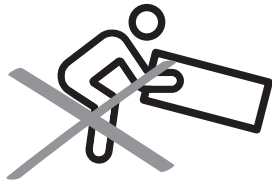


EASY —————> DIFFICULT

The Assembly Rating is a 5-point system showing the level of effort needed to assemble a specific product.

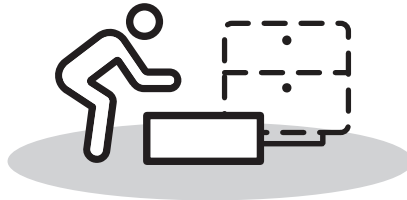
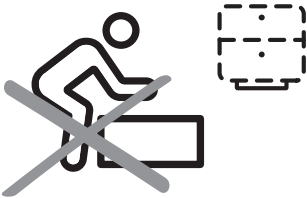
PRE ASSEMBLY INTRODUCTION

We understand building ready-to-assemble furniture can be a challenging experience for some. To help avoid confusion, we have provided some helpful tips that may speed up the process.



Teamwork

ALWAYS have at least two people to help with transporting and assembling the product to avoid potential injury and/or damage.



Suitable Location

Assembling near the area of the intended location is highly recommended.



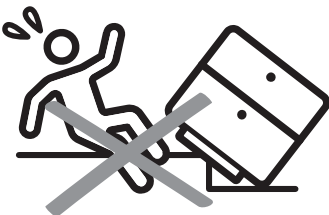
Sufficient Space

Make sure you have enough space to move around during the assembly.



Avoid Scratches

Use cardboard, blankets or a carpeted area while assembling furniture to prevent to prevent scratches and damages.



Flat Surface

Make sure the furniture rests on a flat and level surface with each leg evenly touching the floor.

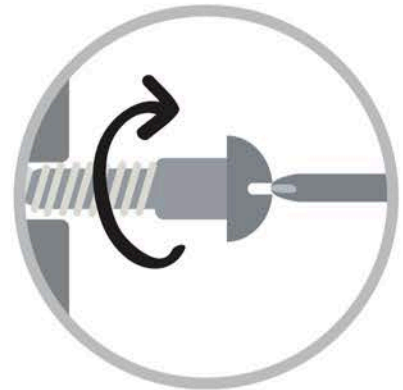
ASSEMBLY AND CARE ADVICE



FAILURE TO FOLLOW THE GUIDELINES BELOW MAY RESULT IN INJURY AND/OR PROPERTY DAMAGE.



Position each part correctly and insert screws or bolts into their respective holes.



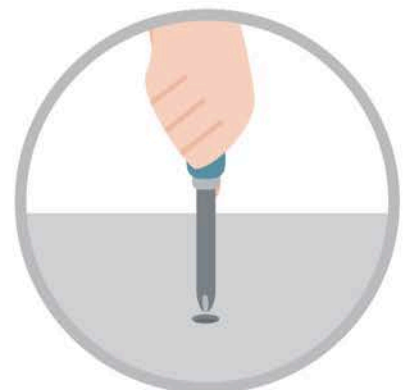
Turn clockwise to tighten and only tighten when step is completed or when instructed to do so.



Use the appropriate hand tools or power tools for assembly. Select steps, such as tightening screws and/or bolts, may require hand tools to avoid causing damage during assembly.



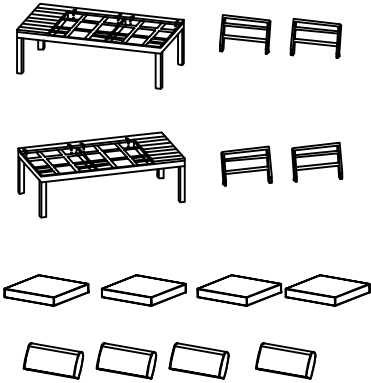
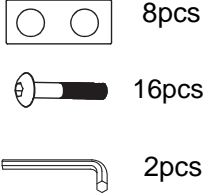
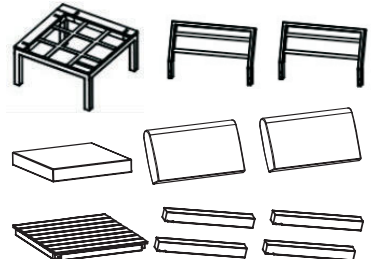
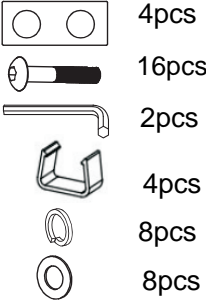
Save the instructions and store any supplied tools for later maintenance.



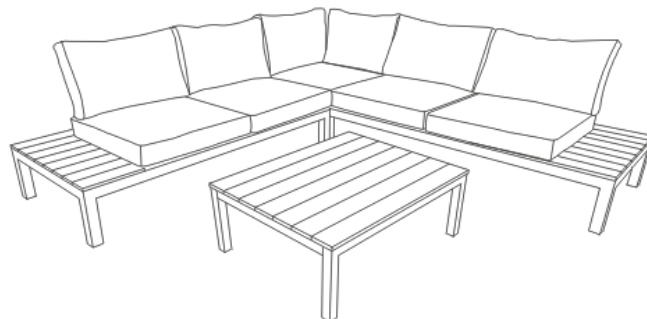
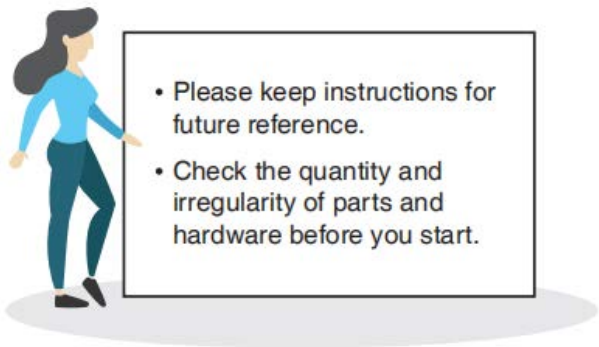
After two weeks, check and tighten any loose hardware and repeat again every six months thereafter.

IT IS THE USER'S RESPONSIBILITY TO MAINTAIN THE FURNITURE. THE HARDWARE MAY LOOSEN OVER TIME AND MAY CAUSE THE FURNITURE TO BE WOBBLY AND UNABLE TO SUPPORT ITS INTENDED WEIGHT CAPACITY. THIS MAY LEAD TO COLLAPSE AND MAY CAUSE SERIOUS INJURY.

packed in 2 cases

Carton	Disignation	Part	Hardware
1	LV		 <p>8pcs 16pcs 2pcs</p>
2	CORNER OTTOMAN		 <p>4pcs 16pcs 2pcs 4pcs 8pcs 8pcs</p>

PATIO SECTIONAL W/ OTTOMAN



PARTS

#1 1pc x 2



Seat Frame (L & R)

#2 2pcs x 2



Backrest

#3 2pcs x 2



Seat Cushion

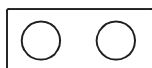
#4 2pcs x 2



Back Cushion

HARDWARE

#A 4pcs x 2



Metal Plate

#B 8pcs x 2



Bolt 1/4" x 1-3/8"

#C 1pc x 2



Allen Wrench

ASSEMBLY INSTRUCTIONS

1

Align backrests (#2) to the holes of the right seat frame (#1R).
Secure by using bolts (#B) with brackets (#A).

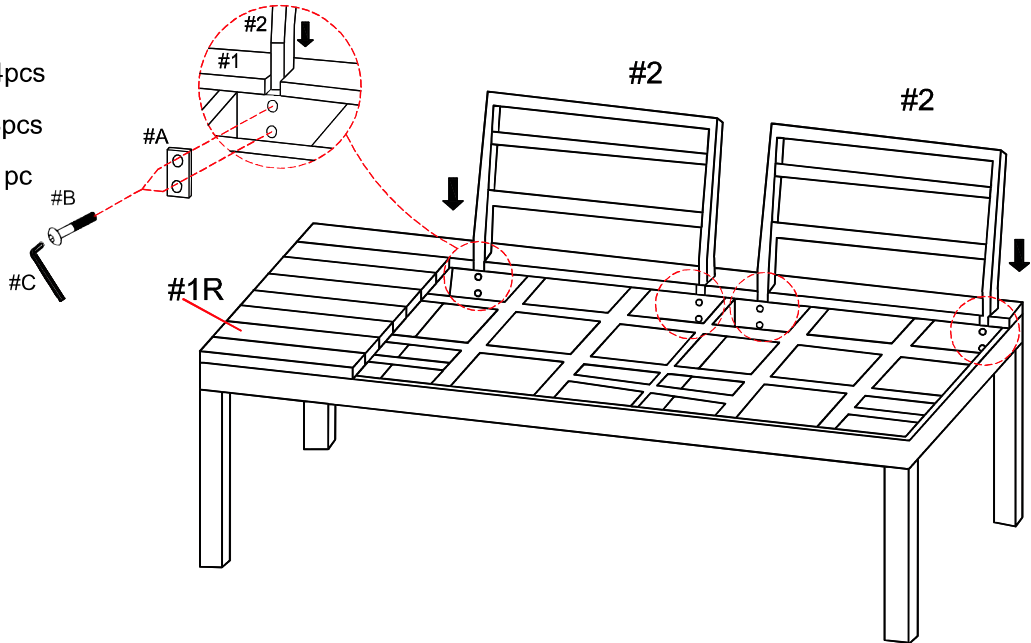
Part #1 x 1pc

Part #2 x 2pcs

Hardware #A x 4pcs

Hardware #B x 8pcs

Hardware #C x 1pc

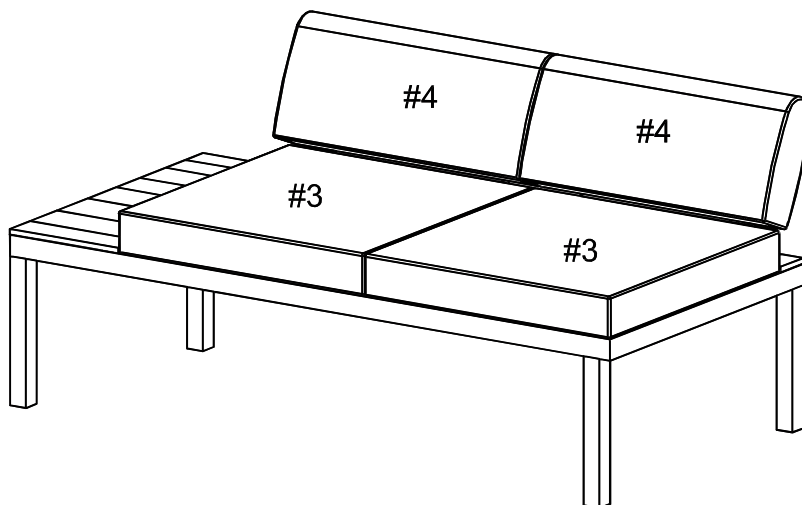


2

Align seat cushions (#3,4) to the right seat frame (#1R).

Part #3 x 2pcs

Part #4 x 2pcs



ASSEMBLY INSTRUCTIONS

3

Part #1 x 1pc

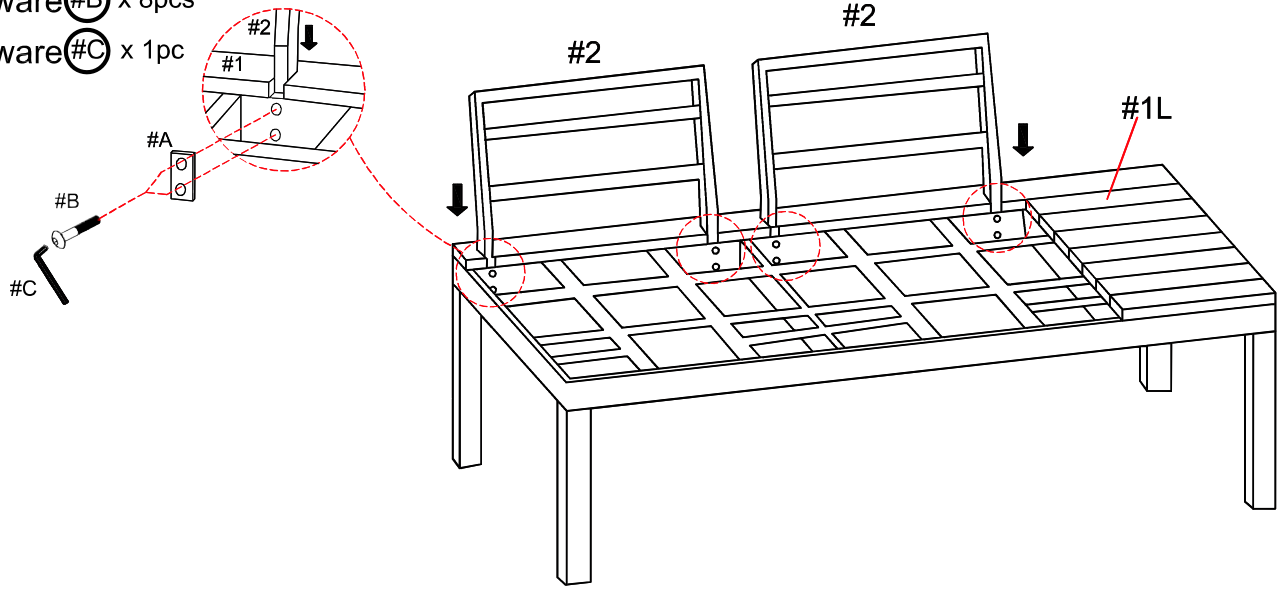
Part #2 x 2pcs

Hardware #A x 4pcs

Hardware #B x 8pcs

Hardware #C x 1pc

Align backrests (#2) to the holes of the left seat frame (#1L).
Secure by using bolts (#B) with brackets (#A).

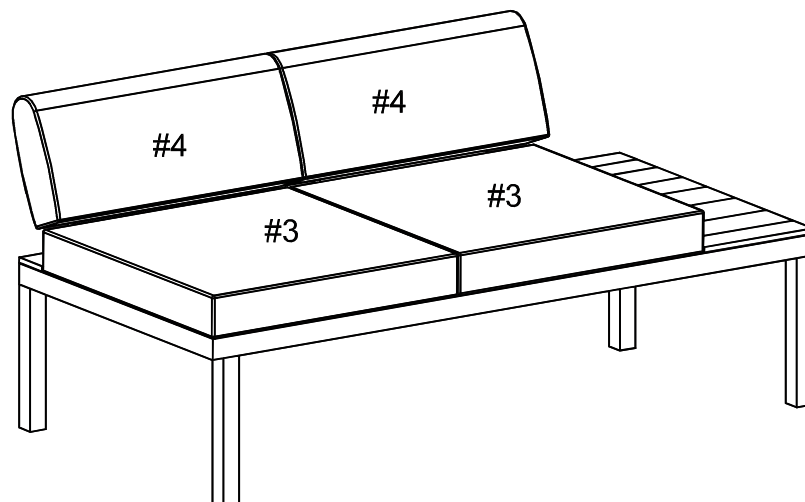


4

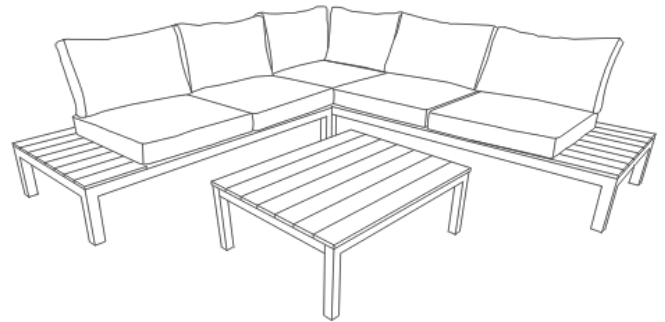
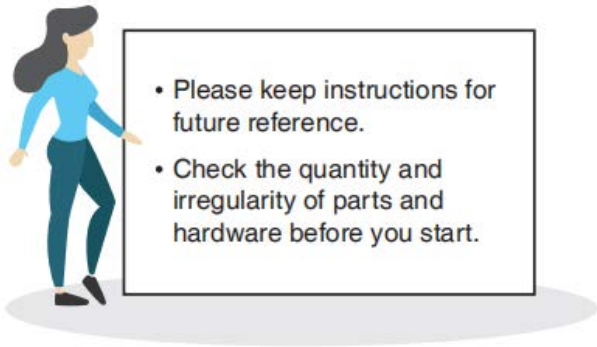
Part #3 x 2pcs

Part #4 x 2pcs

Align seat cushions (#3,4) to the right seat frame (#1L).



PATIO SECTIONAL W/ OTTOMAN



PARTS

#1 1pc



Seat Frame

#2 2pcs



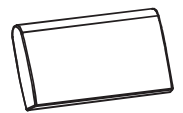
Backrest

#3 1pc



Seat Cushion

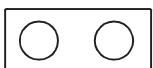
#4 2pcs



Back Cushion

HARDWARE

#A 4pcs



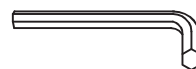
Metal Plate

#B 8pcs



Bolt 1/4" x 1-3/8"

#C 1pc



Allen Wrench

#D 4pcs



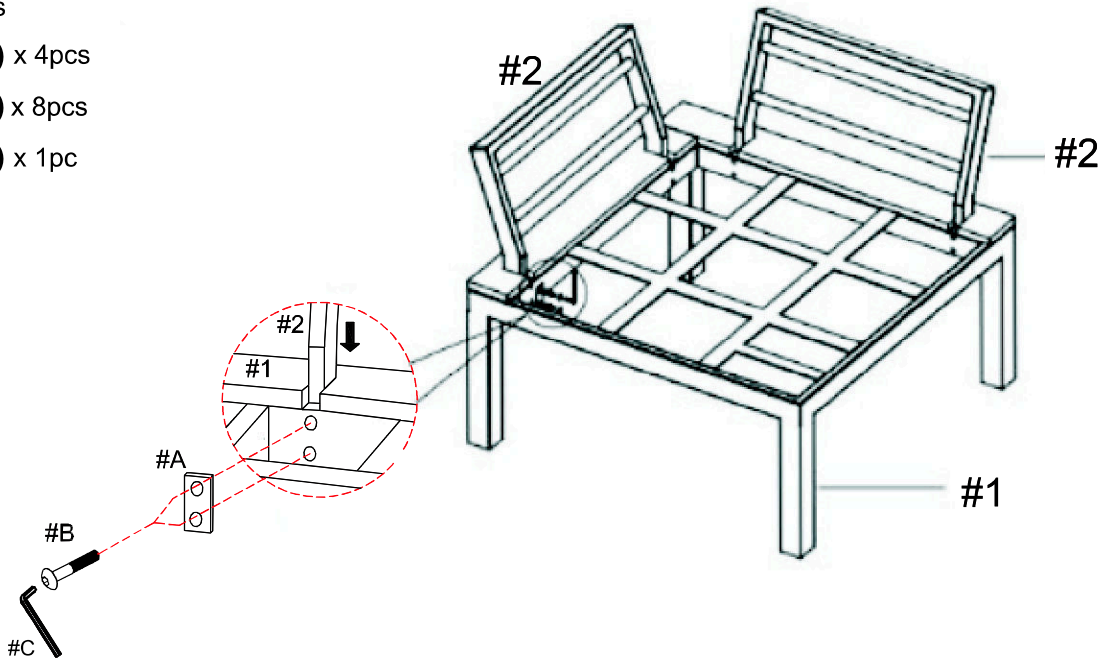
Connect

ASSEMBLY INSTRUCTIONS

1

Align backrests (#2) to the holes of the seat frame (#1).
Secure by using bolts (#B) with brackets (#A).

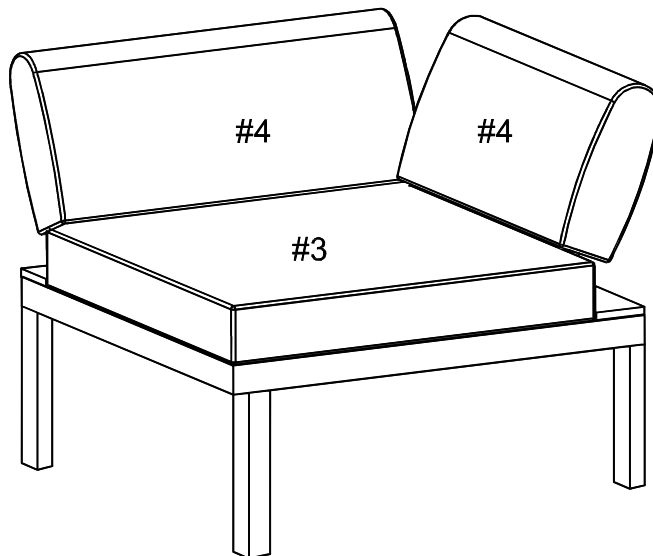
- Part #1 x 1pc
- Part #2 x 2pcs
- Hardware #A x 4pcs
- Hardware #B x 8pcs
- Hardware #C x 1pc



2

Place cushions (#3,4) to the seat frame (#1).

- Part #3 x 1pc
- Part #4 x 2pcs

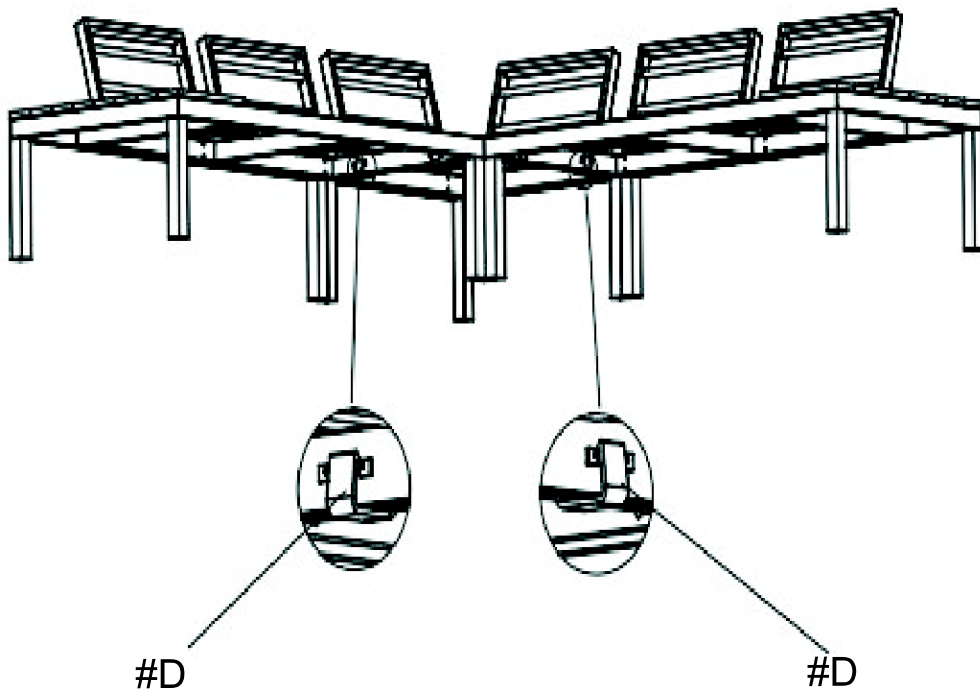


ASSEMBLY INSTRUCTIONS

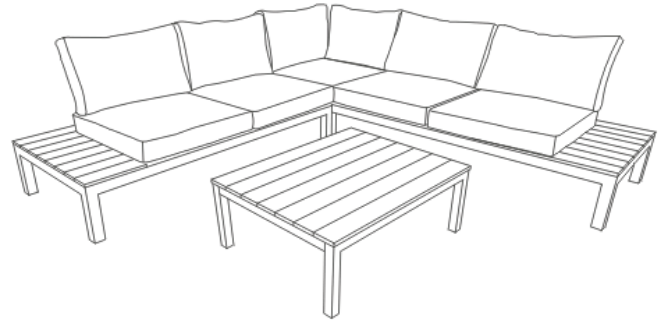
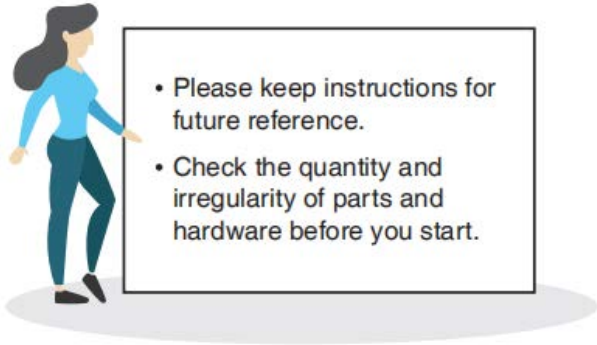
3

Hardware  x 4 pcs

Align seat frames together, then connect by using connectors (#D) to the bottom of the frames.



PATIO SECTIONAL W/ OTTOMAN



PARTS

#1 1pc



Table Top

#2 4pcs



Table Leg

HARDWARE

#A 8pcs



Bolt 1/4" x 1-3/8"

#B 8pcs



Lock Washer

#C 8pcs



Flat Washer

#D 1pc



Allen Wrench

ASSEMBLY INSTRUCTIONS

Align table legs (#2) to the table top (#1), then secure by using bolts (#A) with washers (#B,C).

1

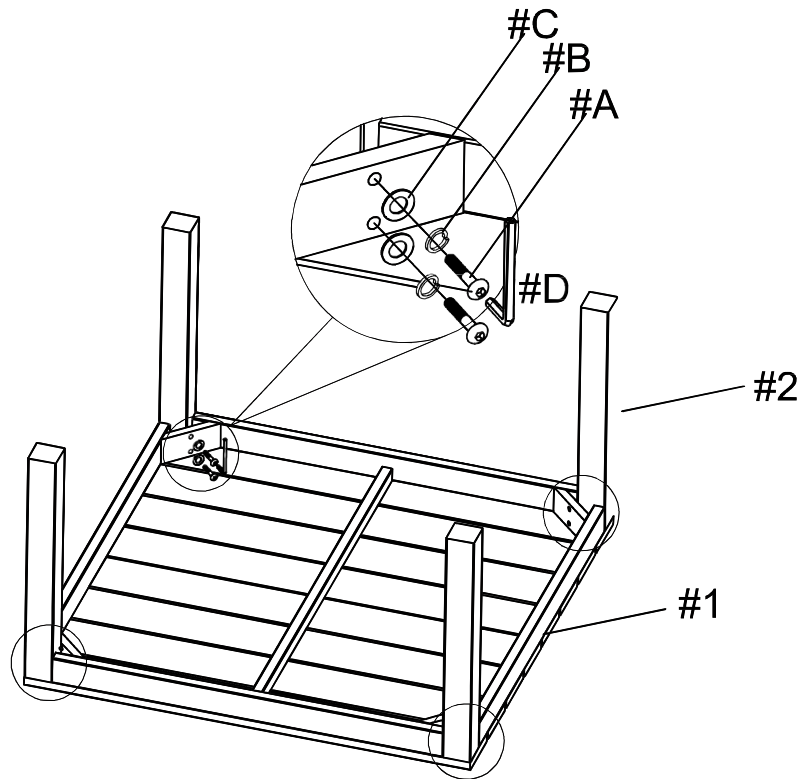
Part #1 x 1pc

Part #2 x 4pcs

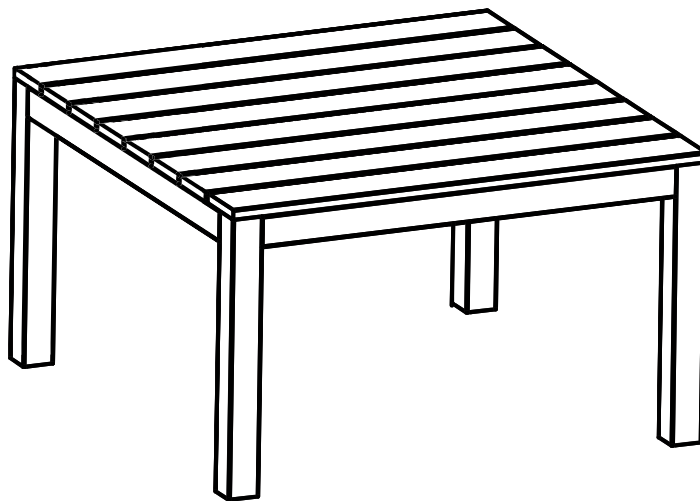
Hardware #A x 8pcs

Hardware #B x 8pcs

Hardware #C x 8pcs

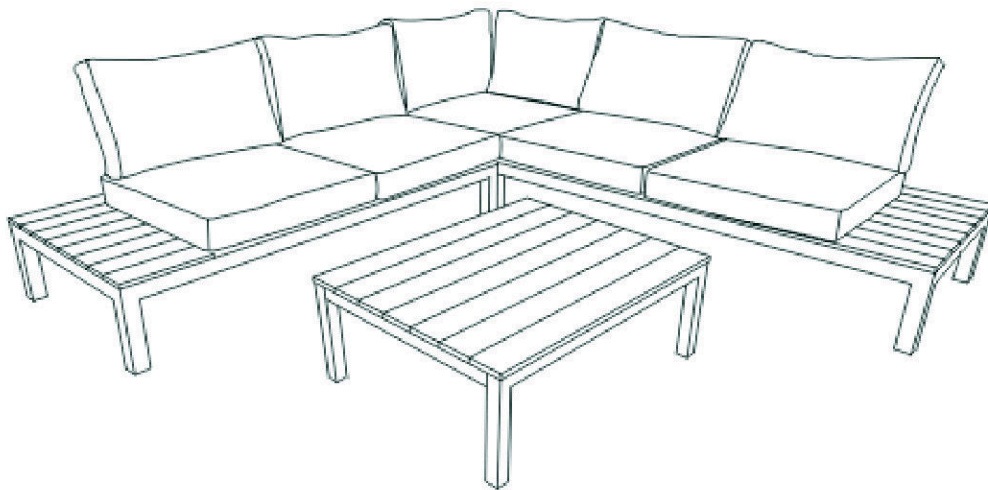


2



ASSEMBLY INSTRUCTIONS

3



ASSEMBLY COMPLETED



Please ensure the furniture rests on an even and flat surface. If the product wobbles or feels loose, double-check all bolts and/or screws are properly tightened and secured.



Keep this handy!

Please retain this instruction manual and any order-related information for future reference.



Lift, don't drag!

To avoid damage to product please always LIFT the product when transporting or adjusting the placement.