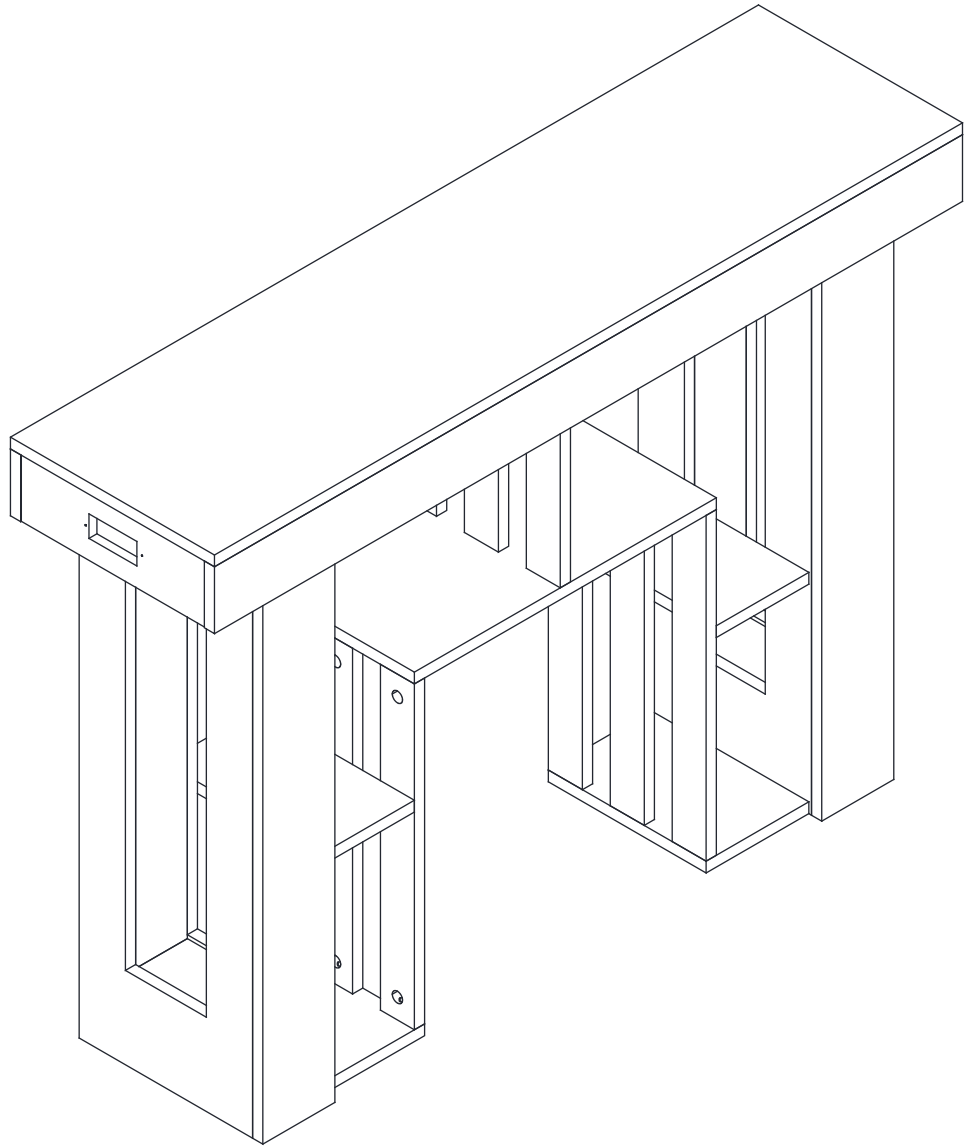
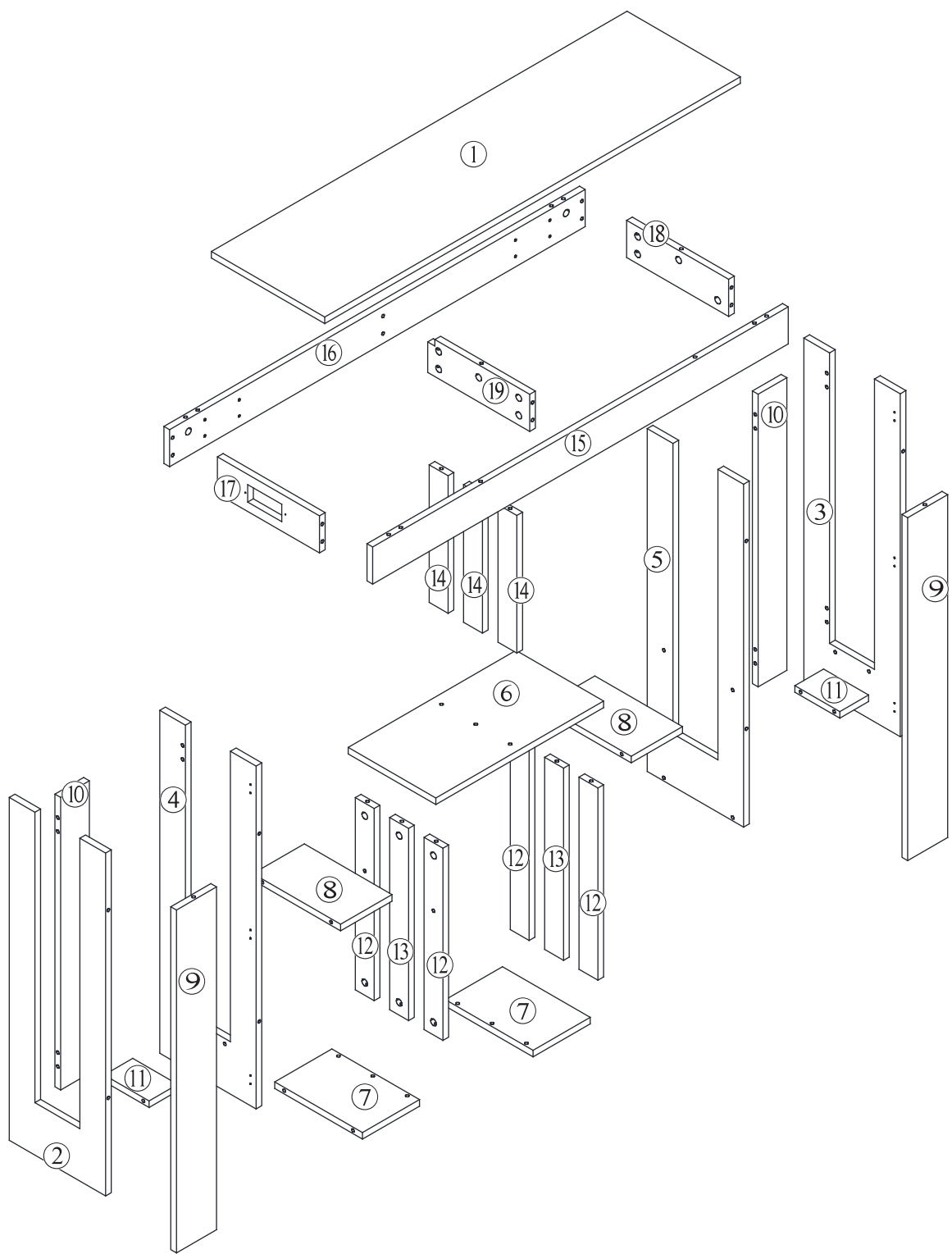
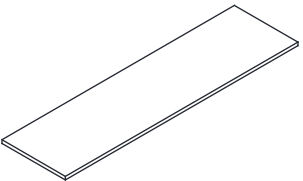
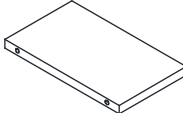
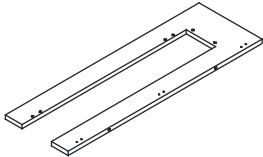
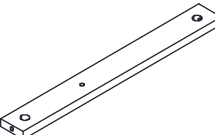
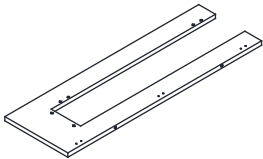
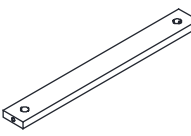
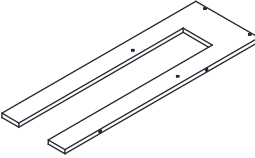
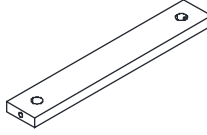
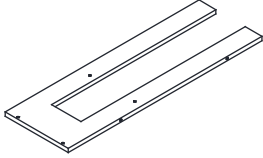
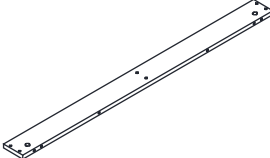
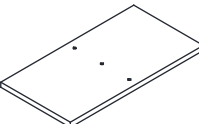
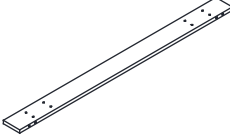
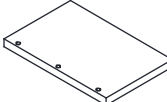
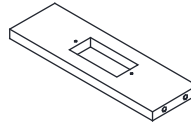
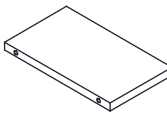
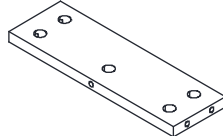
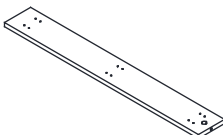
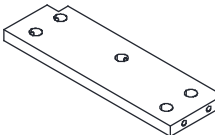
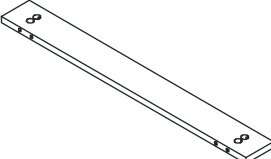


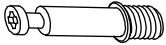


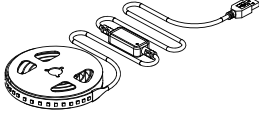

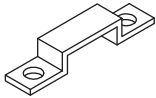
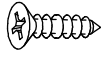

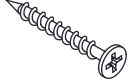
Assembly Instructions



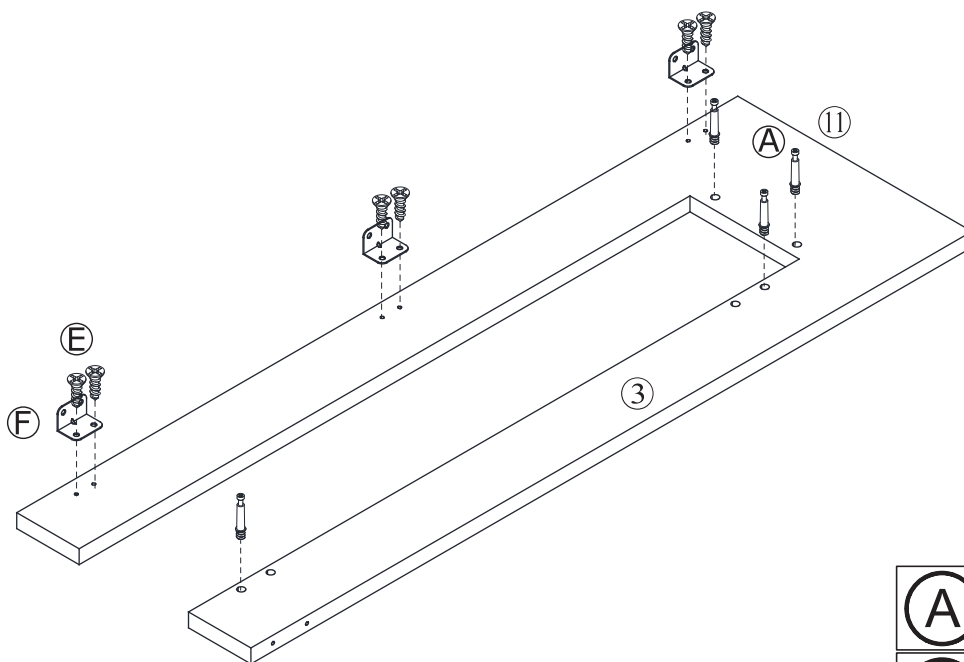
THIS INSTRUCTION BOOKLET CONTAINS IMPORTANT INFORMATION. PLEASE READ AND KEEP FOR FUTURE REFERENCE
We will stand behind we sell. If you have any questions about this item, please do not hesitate to contact us

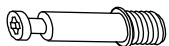
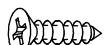



Item no.	Reference Image	Qty.	Item no.	Reference Image	Qty.
1		X1	11		X2
2		X1	12		X4
3		X1	13		X2
4		X1	14		X3
5		X1	15		X1
6		X1	16		X1
7		X2	17		X1
8		X2	18		X1
9		X2	19		X1
10		X2			

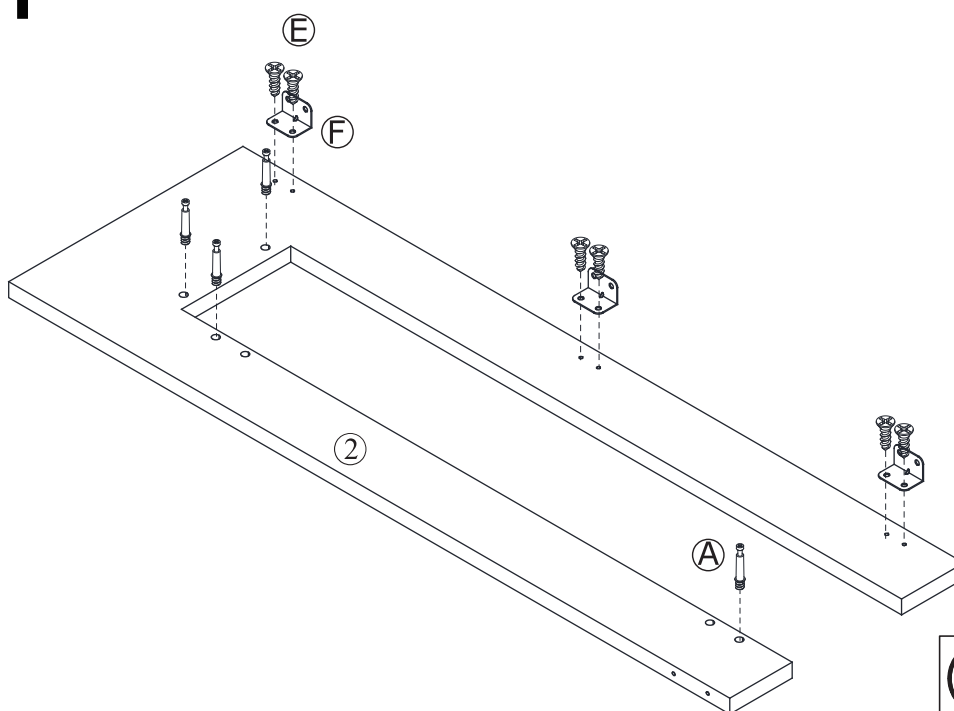
Item no.	Reference Image	Qty.	Item no.	Reference Image	Qty.
(A)	 M6*35mm	X70	(H)		X1
(B)	 M15*9.5mm	X70	(I)		X1
(C)	 M8*30mm	X20			
(D)		X5			
(E)	 M3*12mm	X60			
(F)		X12			
(G)	 M4*25mm	X8			

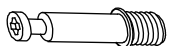
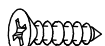

step1:



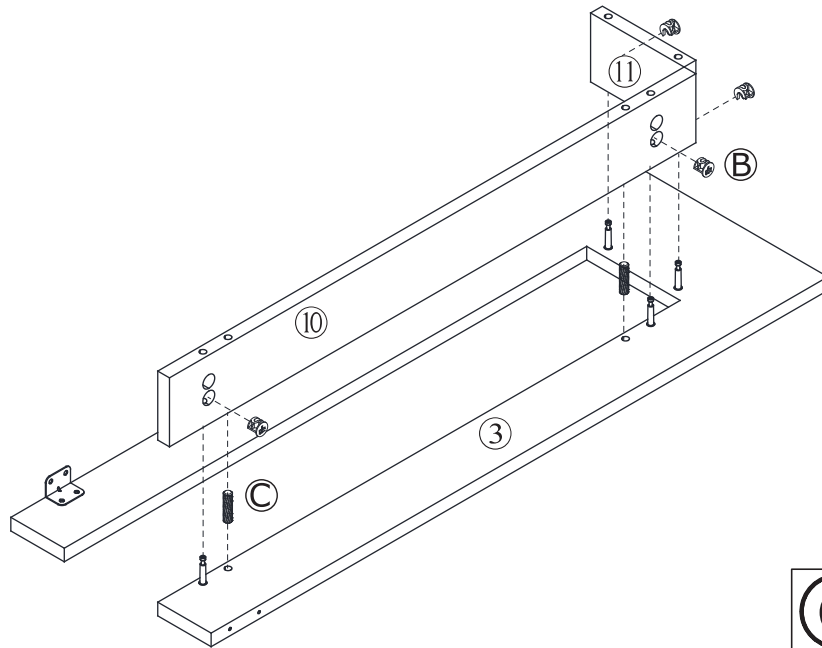
(A)		X 4
(E)		X 6
(F)		X 3



step2:



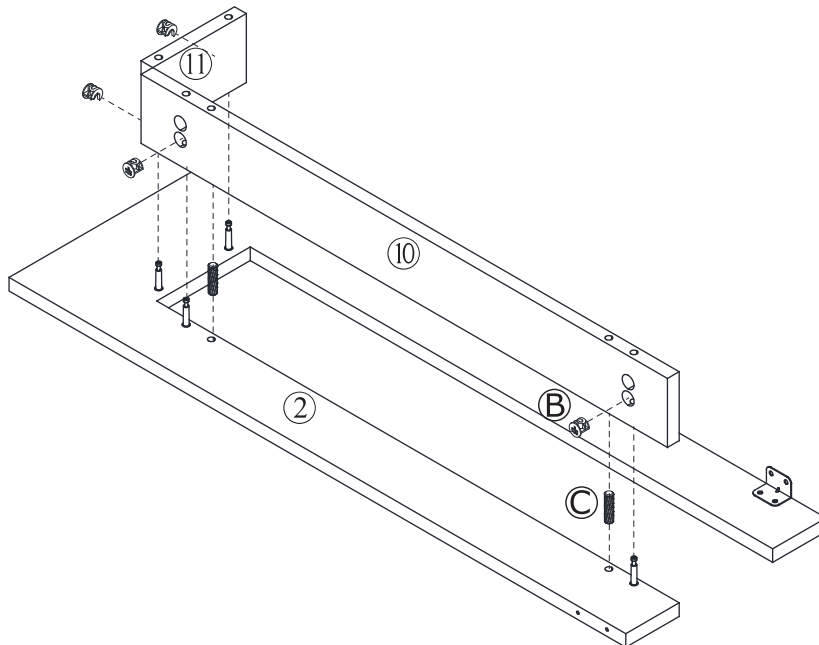
(A)		X 4
(E)		X 6
(F)		X 3



step3:



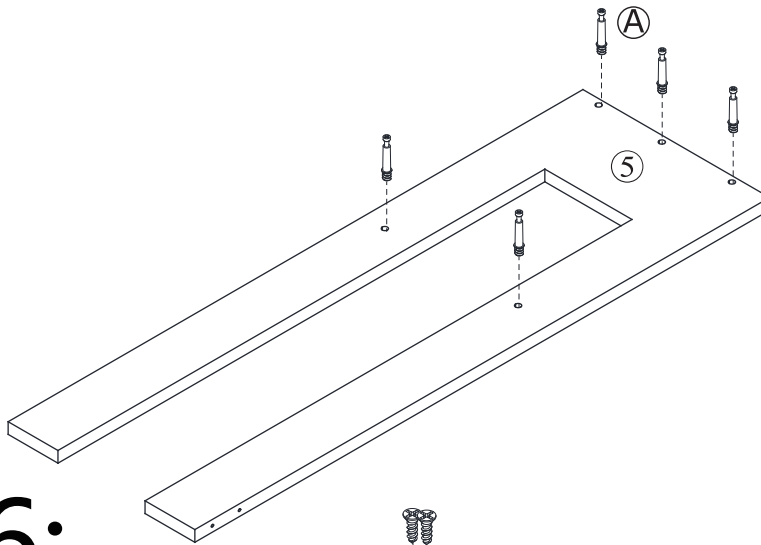
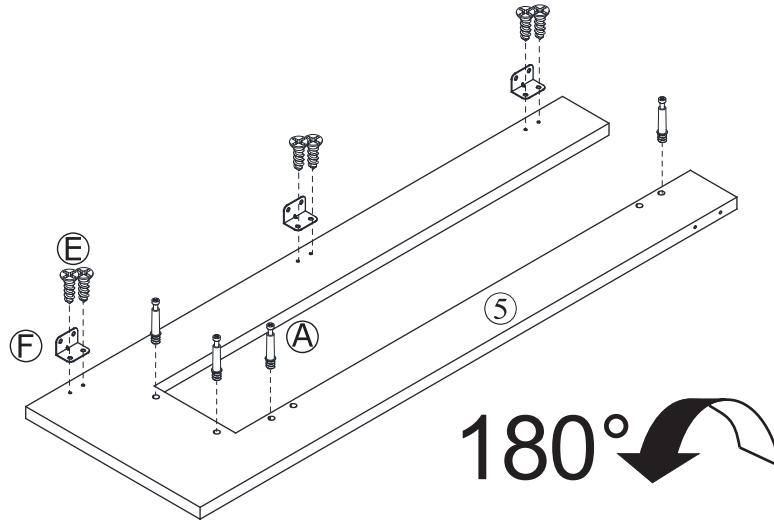
(C)	 X 2
(B)	 X 4

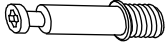
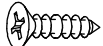

step4:



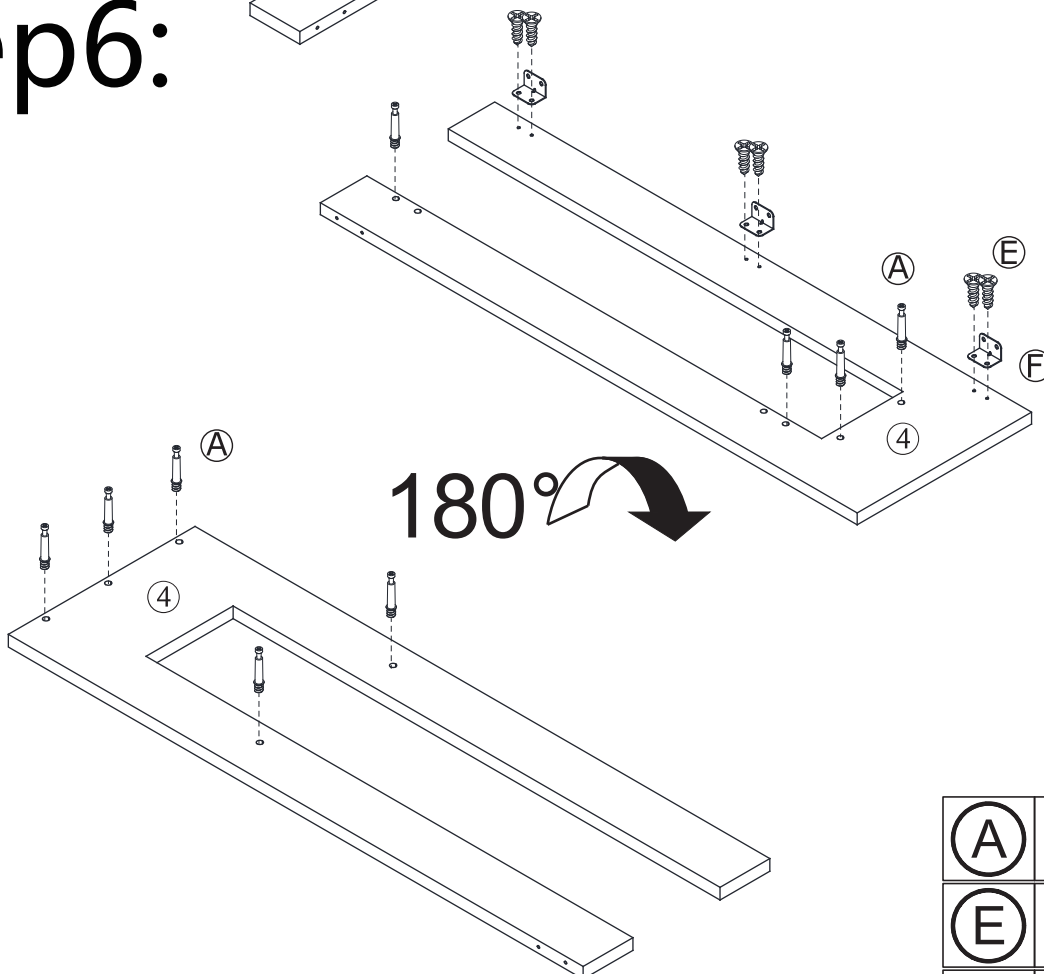
(C)	 X 2
(B)	 X 4

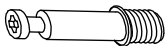
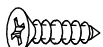

step5:



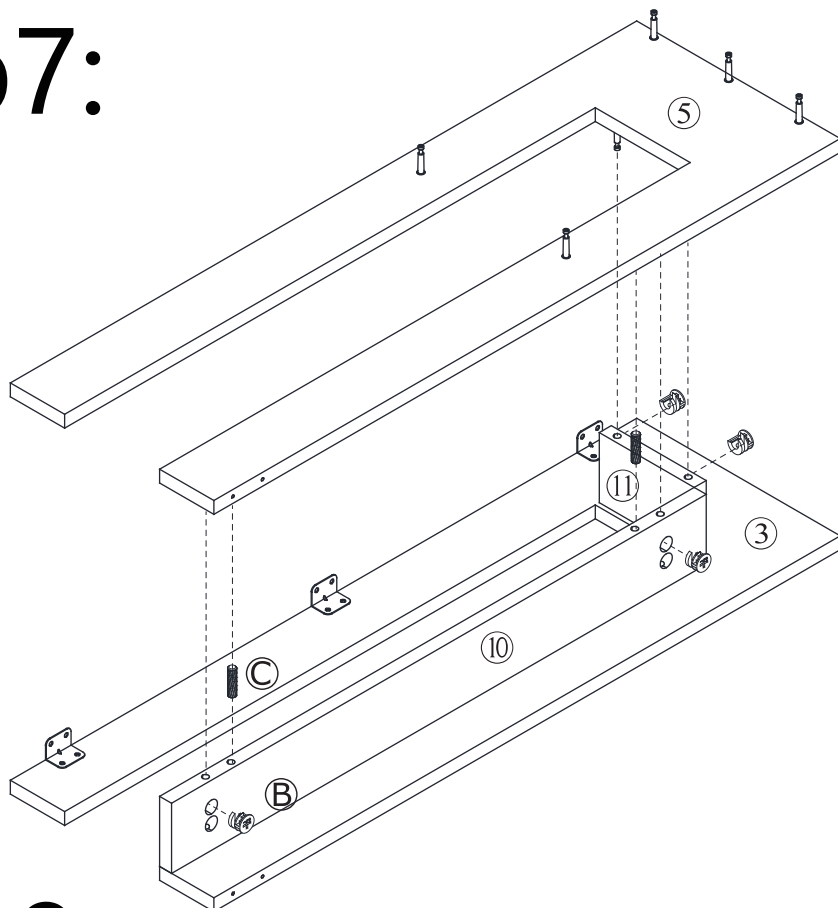
(A)		X 9
(E)		X 6
(F)		X 3



step6:



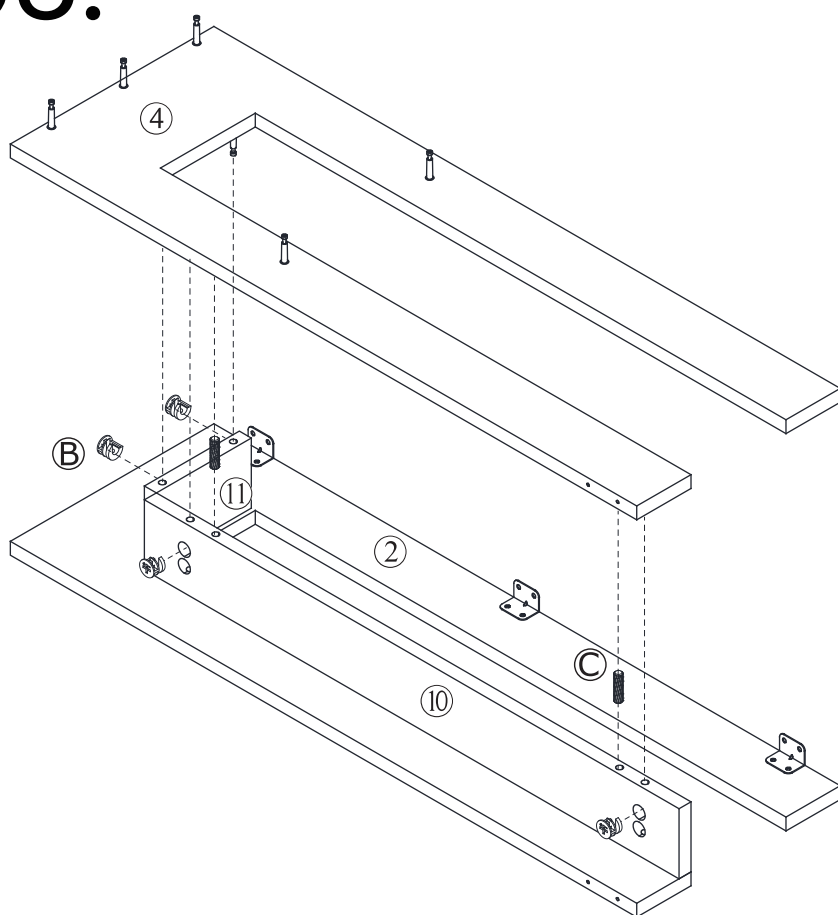
(A)		X 9
(E)		X 6
(F)		X 3



step 7:



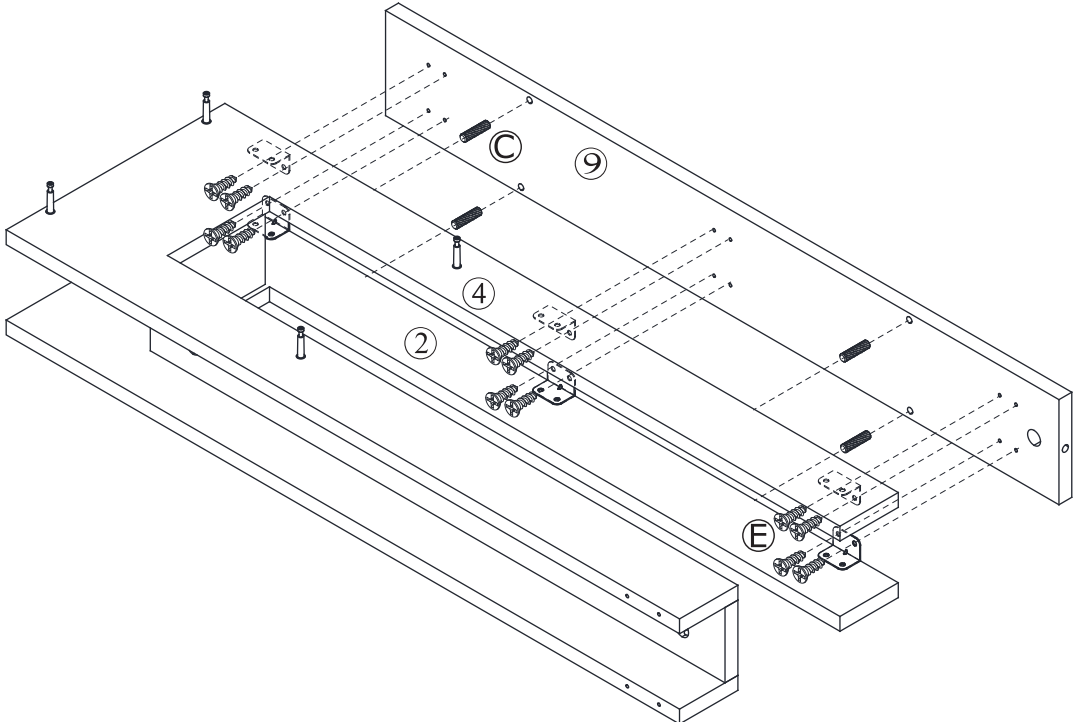
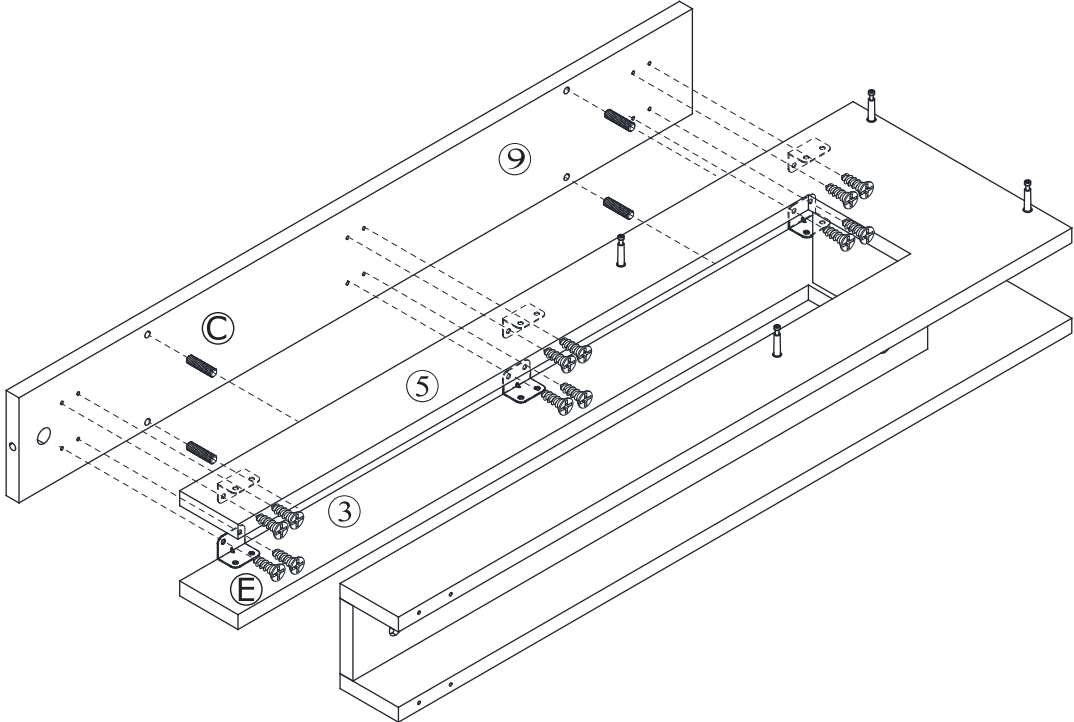
C	 X 2
B	 X 4


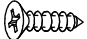
step 8:



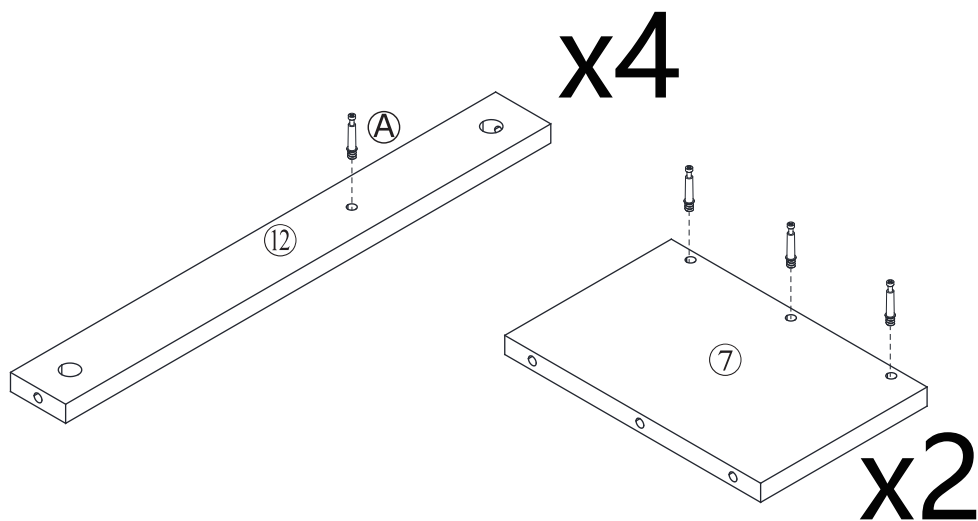
C	 X 2
B	 X 4

step9:

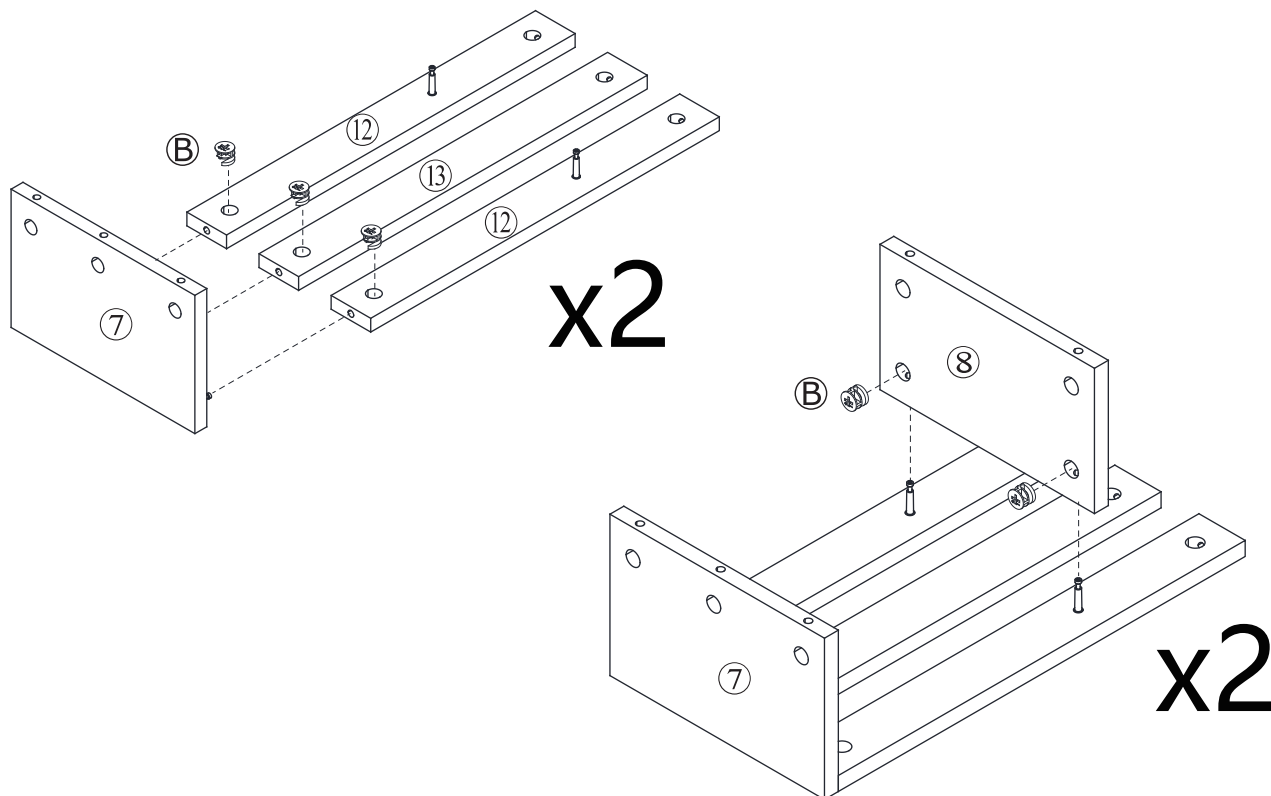
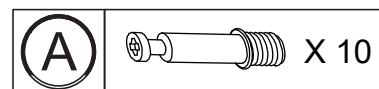


(C)	 X 8
(E)	 X 24

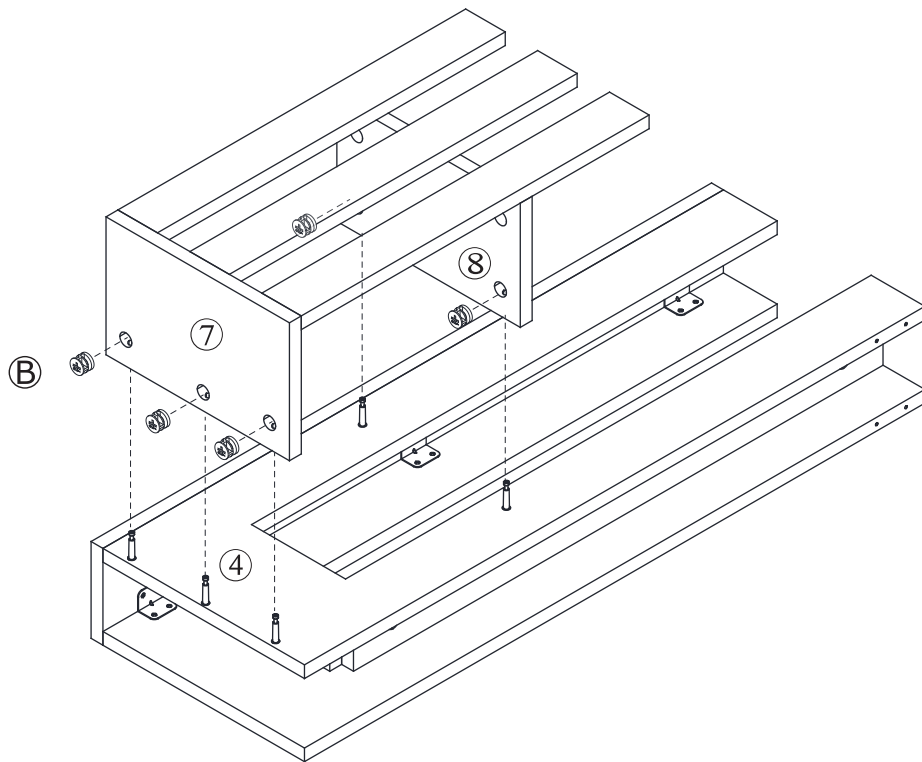
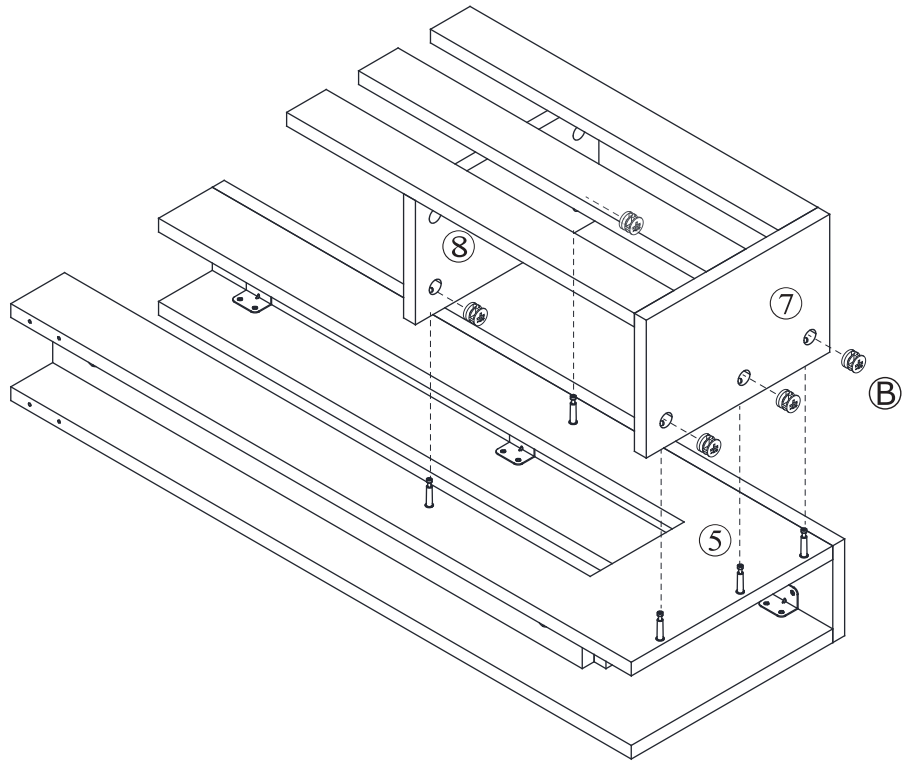
step 10:



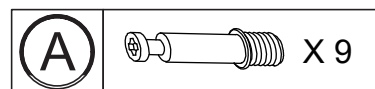
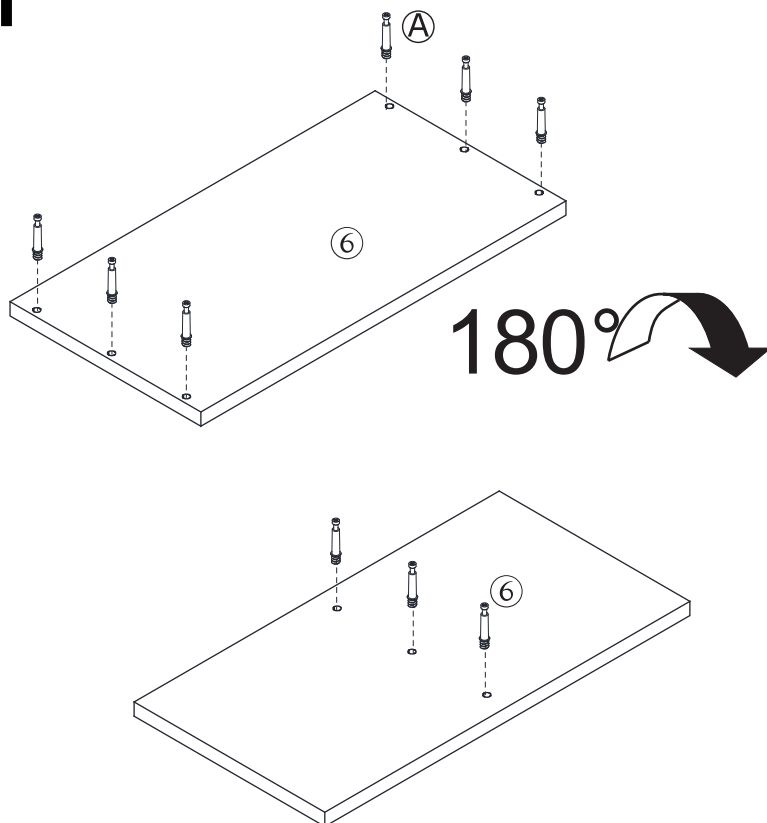
step 11:



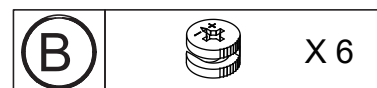
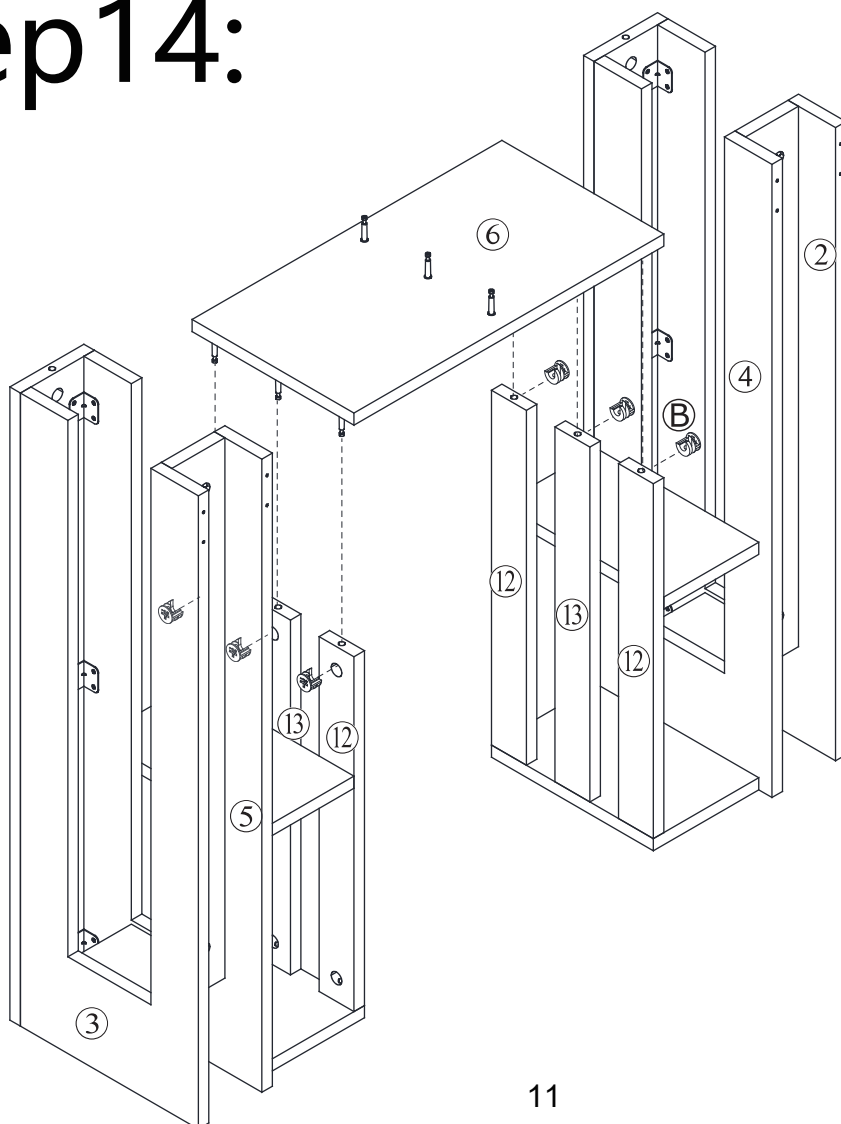
step 12:



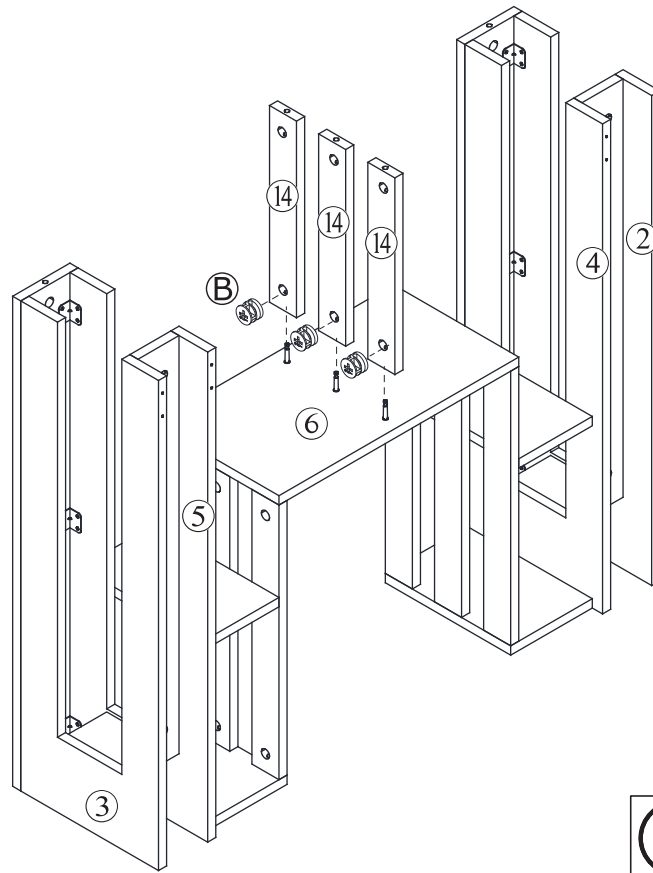
step13:



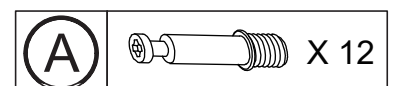
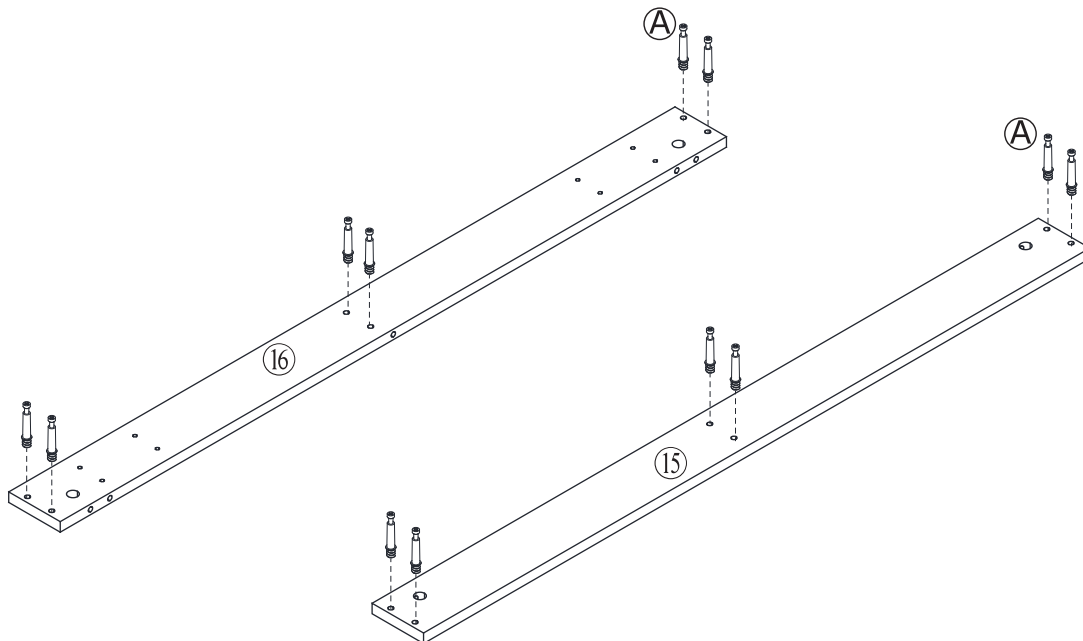
step14:



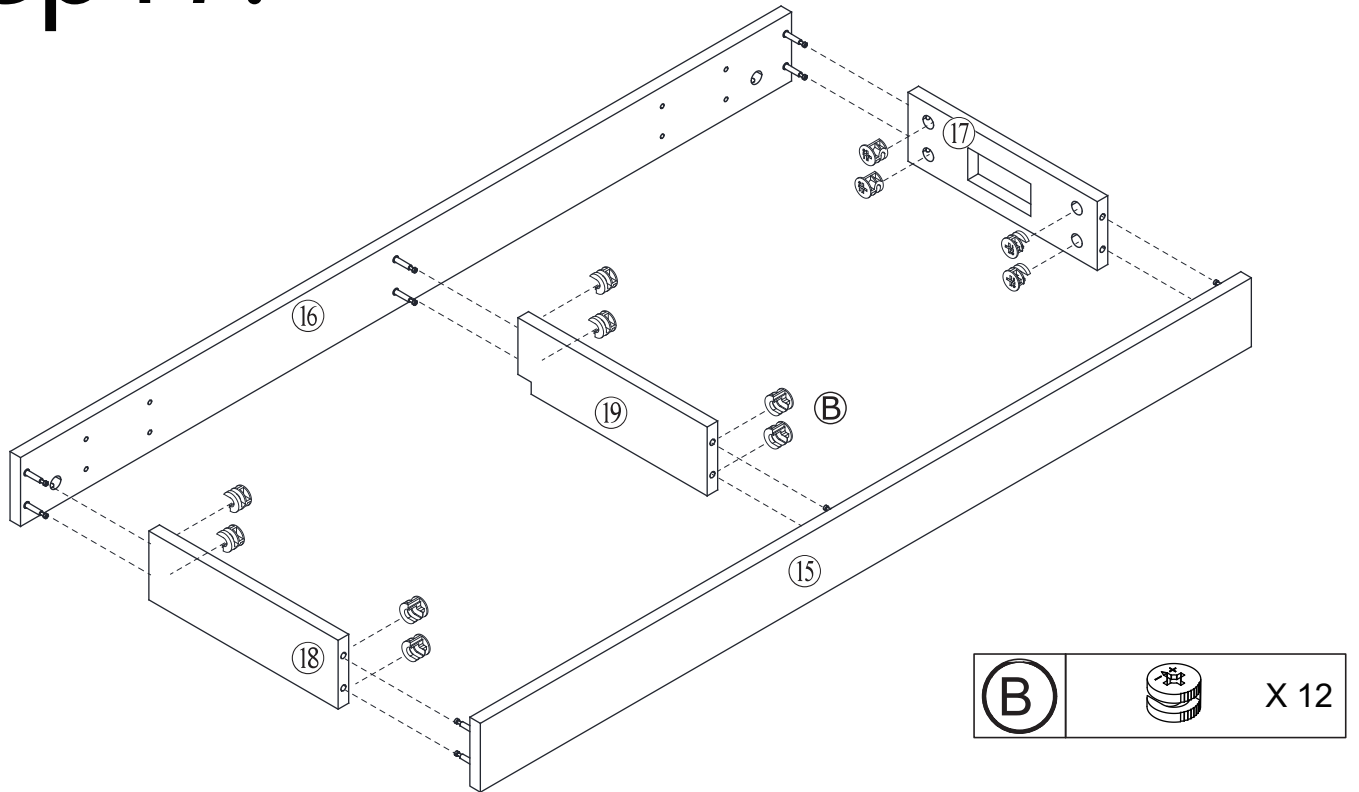
step 15:



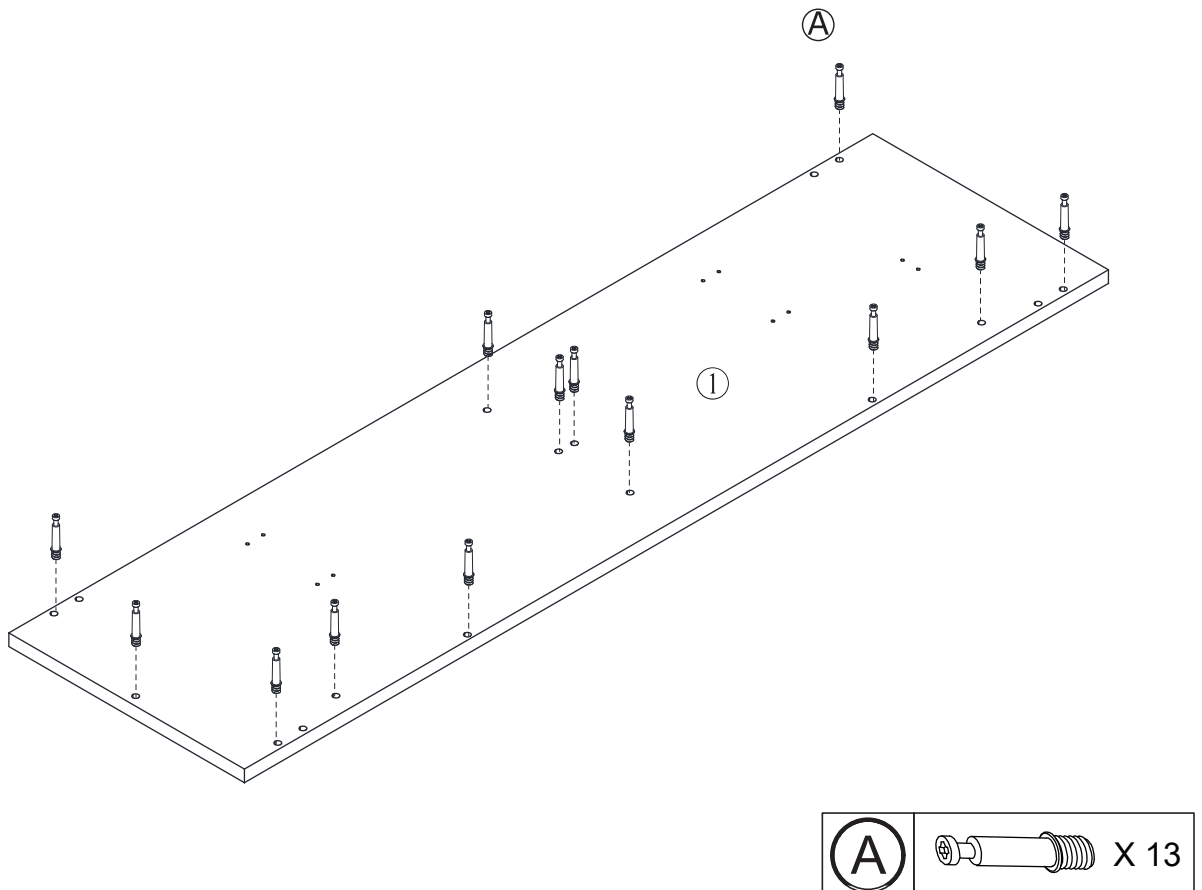
step 16:



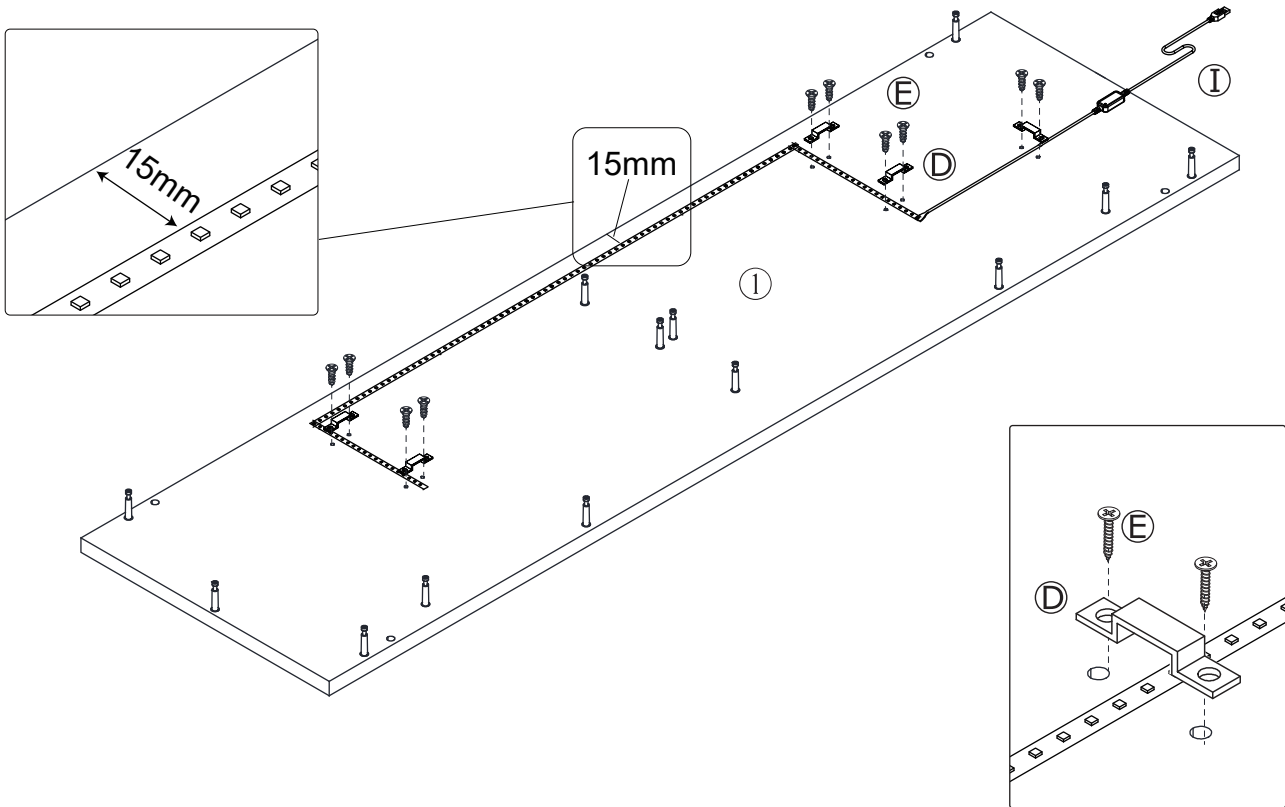
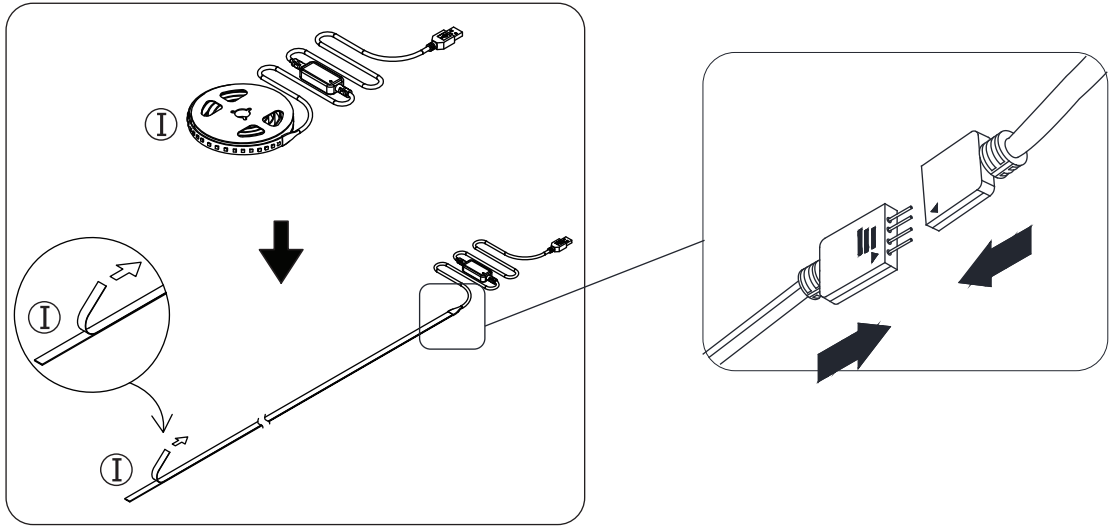
step 17:



step 18:

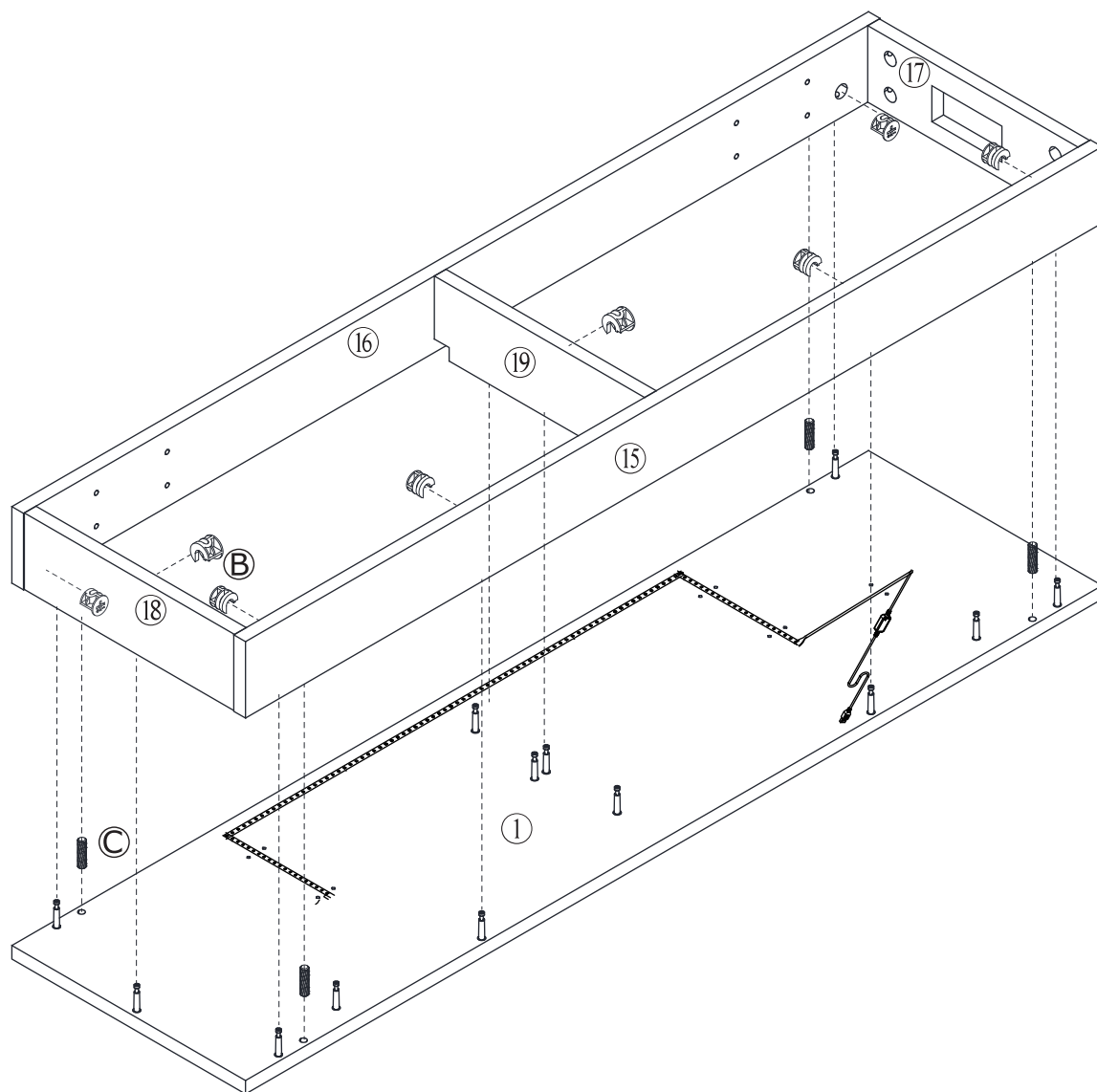




step19:



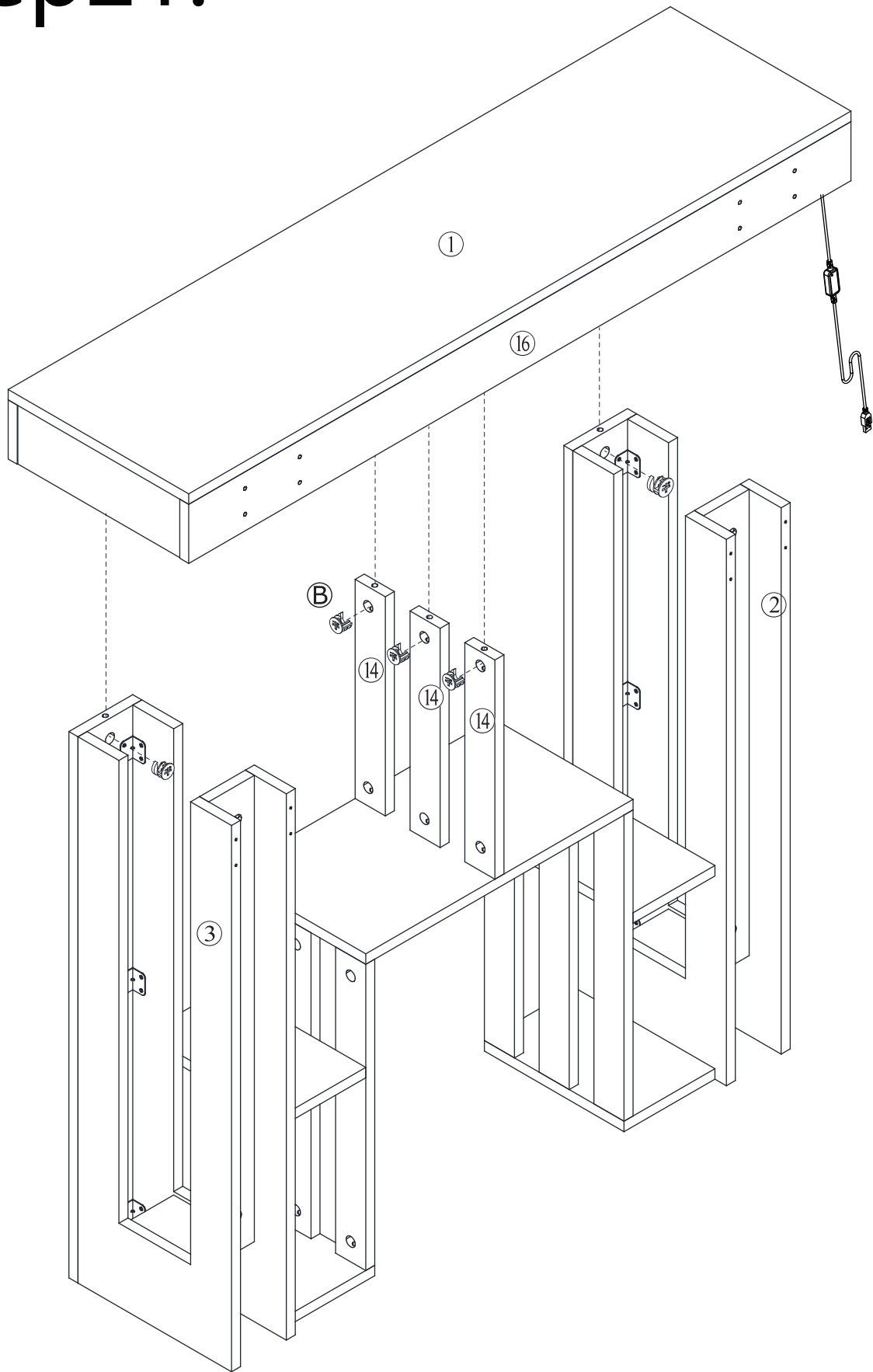
(D)		X 5
(E)		X 10
(I)		X 1

step20:

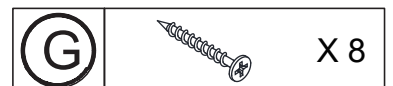
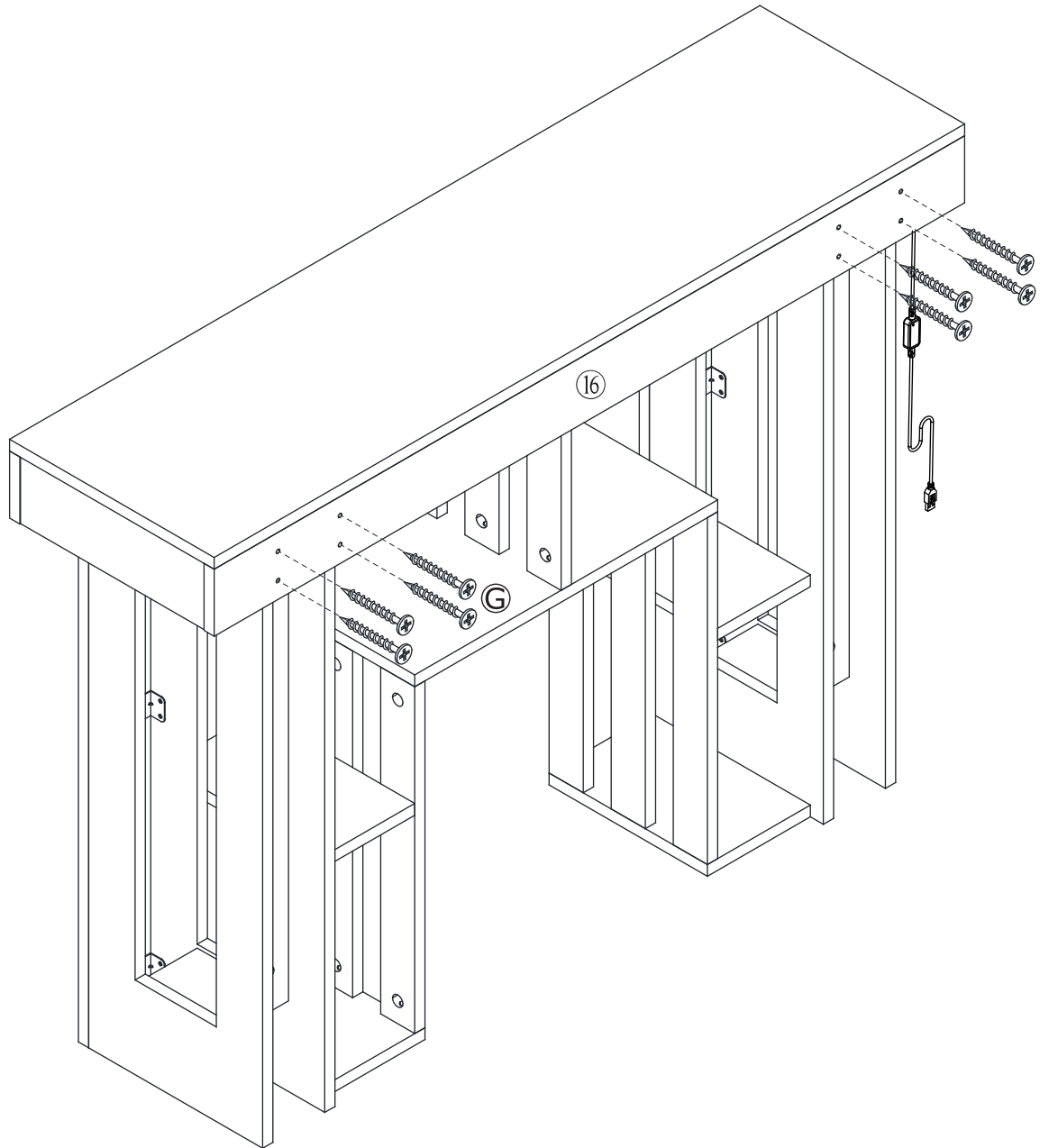


(C)	 X 4
(B)	 X 8

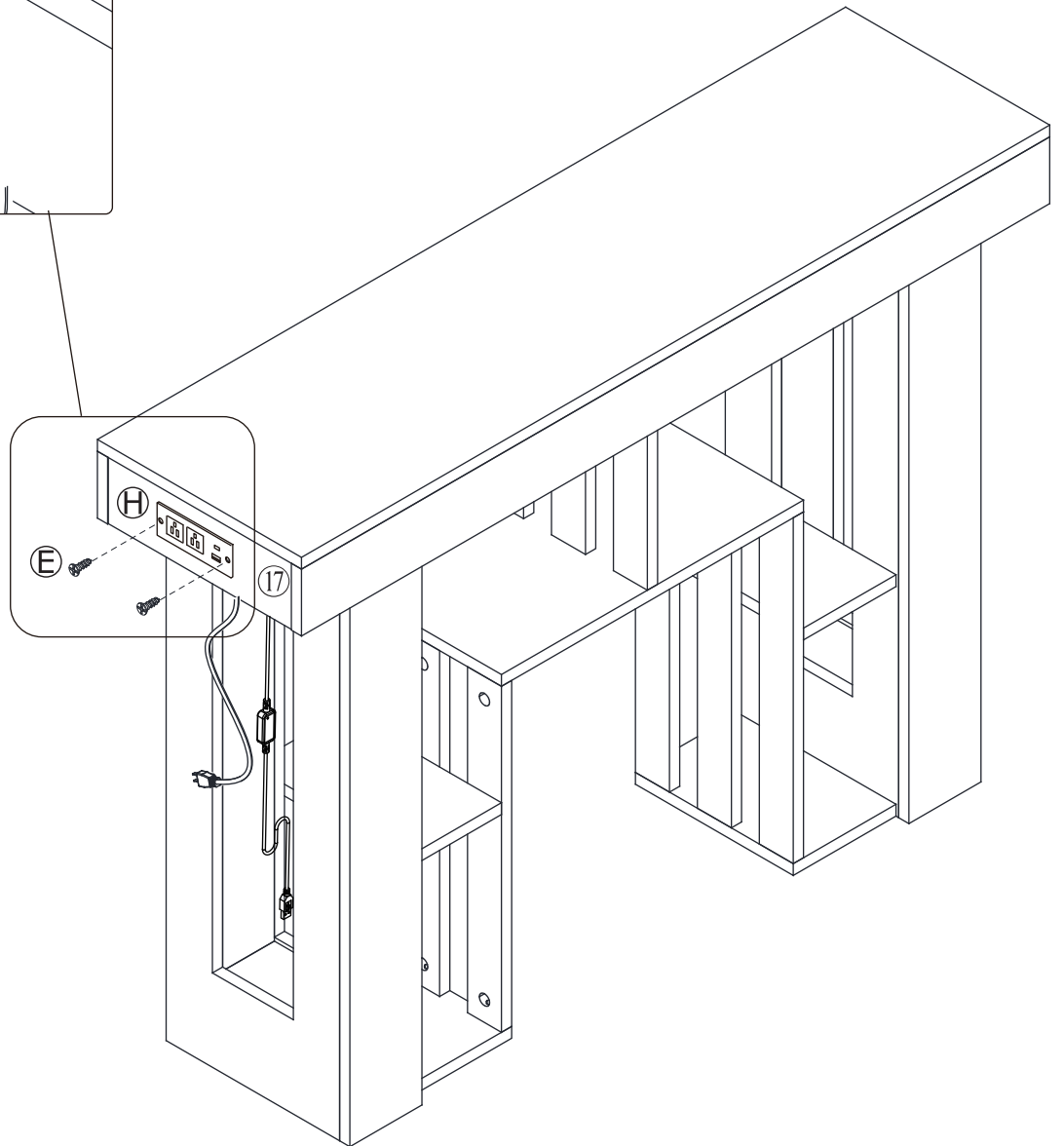
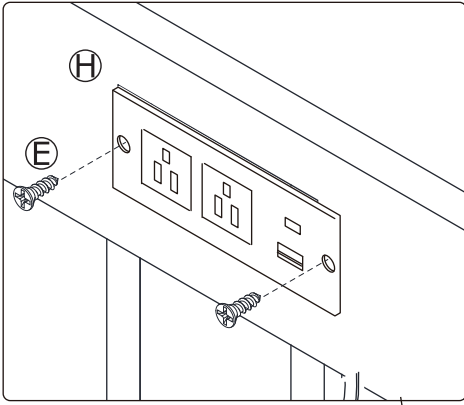
step21:





step22:



step23:



(E)		X 2
(H)		X 1