

8-Light Frosted Glass Globe Chandelier

Caution: Please turn off power before installation and read the manual carefully, we advise you contact professional electricians to install for safety purpose.

Product Features

Style: Modern/Contemporary

Material: Metal, Glass

Color: Brass/ Black

Base Type: E12

Light Source Included: No

Voltage: 110VAC

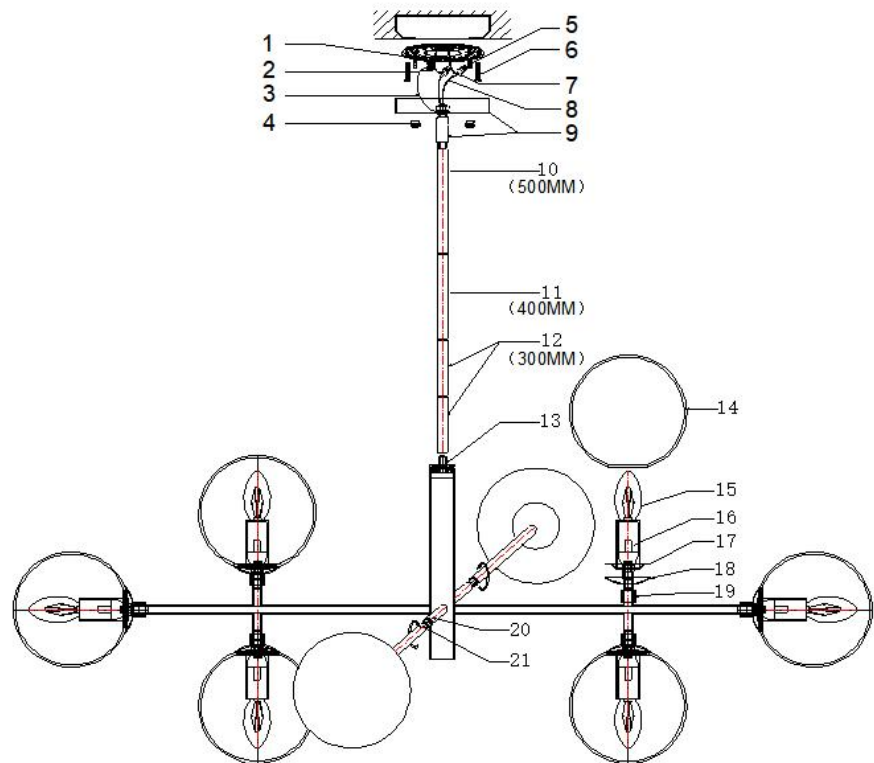
Wattage: 25W

Package includes

1 x Chandelier Light

1 x Accessories Kit

1 x User's Manual



Installation Instructions

A: Turn the straight tube (21) on both sides of the lamp body counterclockwise by five or six turns, and then tighten it clockwise on the straight tube (20) of the lamp body.

B: Pass the short straight tube (12), the medium straight tube (11), the long straight tube (10), and the canopy (9) through the main line (8), and tighten them all separately on the thread (13).

C: Use the junction box screw (6) to fix the backplate (1) tightly on the junction box.

D: Connect the main wire from the canopy to the wire reserved on the ceiling using wire caps. Note that bare wires cannot be exposed to prevent electric leakage. Use green screws (2) to fix the lamp body ground wire (3) and external ground wire on the backplate (1).

E: Pass the canopy (9) through the screws (5) and lock it with cap nuts (4) to fix the light.

F: Tighten the light bulbs (15) on the lamp holder (16) (light bulbs not included), then insert the lampshade (14) into the notch iron sheet (17), and finally lock the lampshade with a cylindrical iron piece (19).

Note: please use this product accordingly to its intended purpose, do not retrofit or remodeling the product. The warranty does not cover if the failure is caused by the third party product, or natural disasters.

Made in China