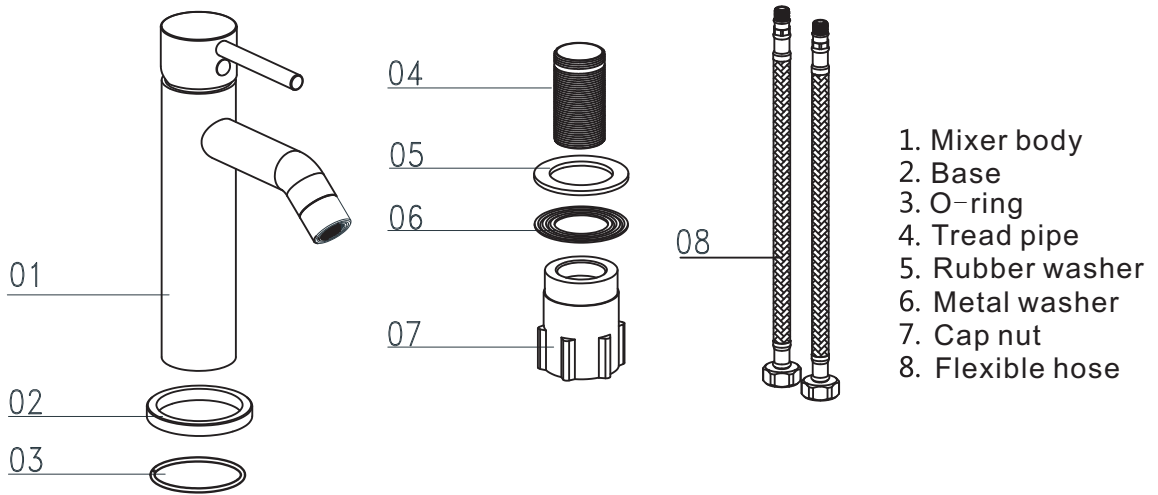


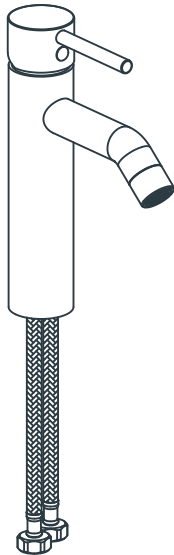
MANUAL INSTALL :

ASSEMBLING PARTS

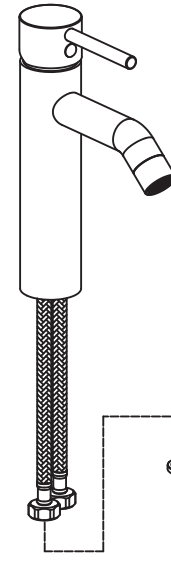


MOUNTING INSTRUCTIONS

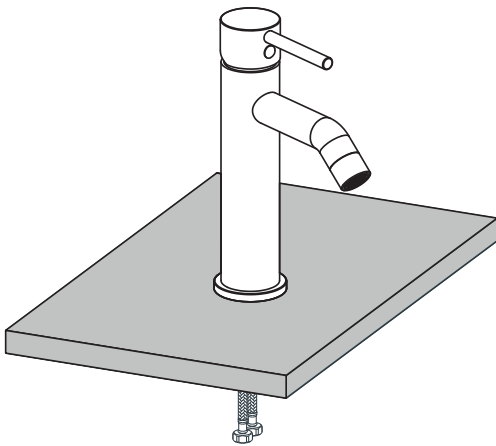
1 Fix 2pcs flexible hose (08) for water inlet onto the mixer body (01).



2 Put the o-ring (03) onto the bottom ring of the base (02), screw the Thread pipe (04) onto the mixer body (01).



3 Put the mixer body (01) with base (02) onto the table-board.



4 Put the rubber washer (05) and the metal washer (06) onto the Thread pipe (04) the screw the cap nut (07) onto the Thread pipe (04) to fix the mixer body (01).

