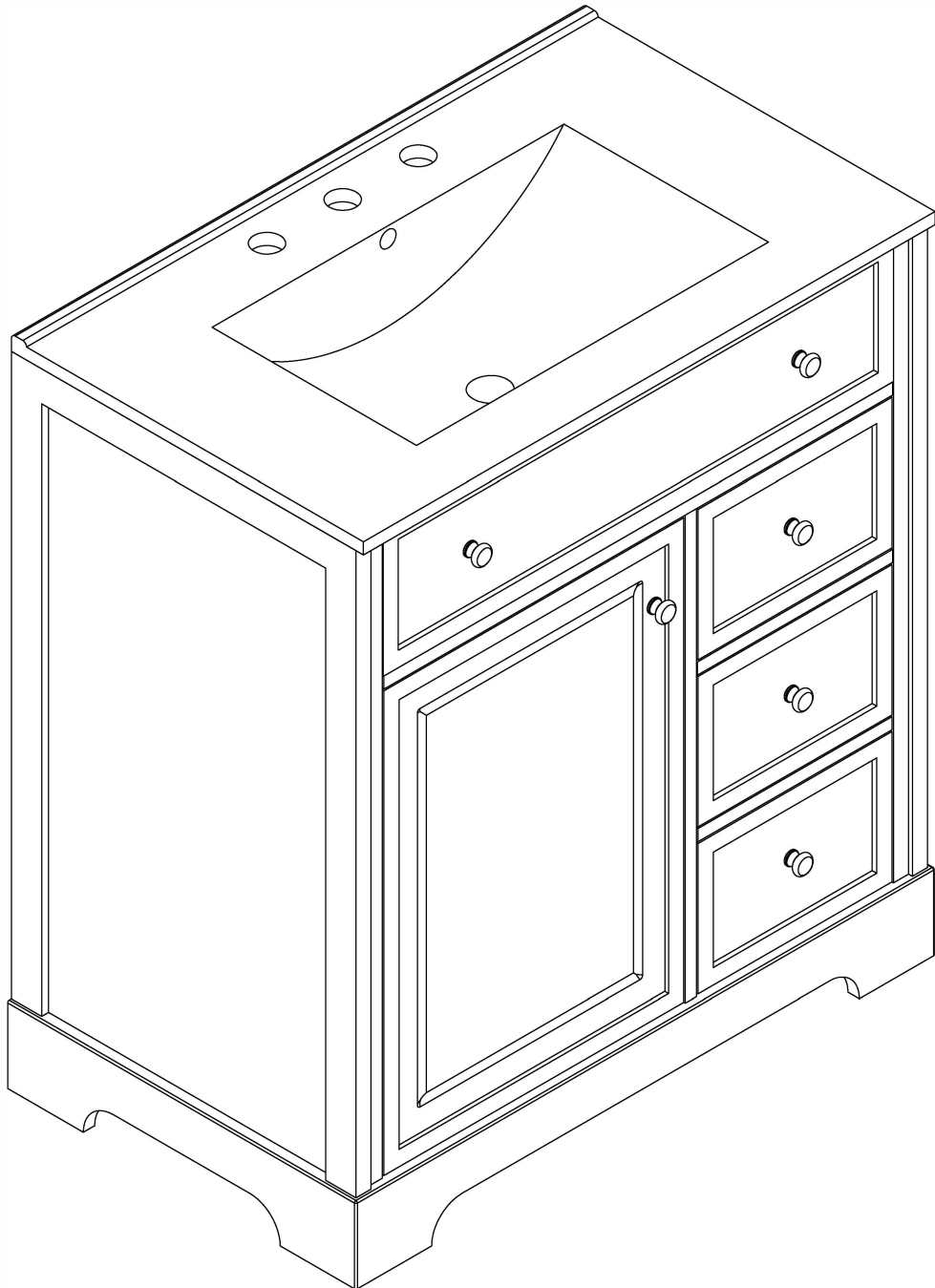
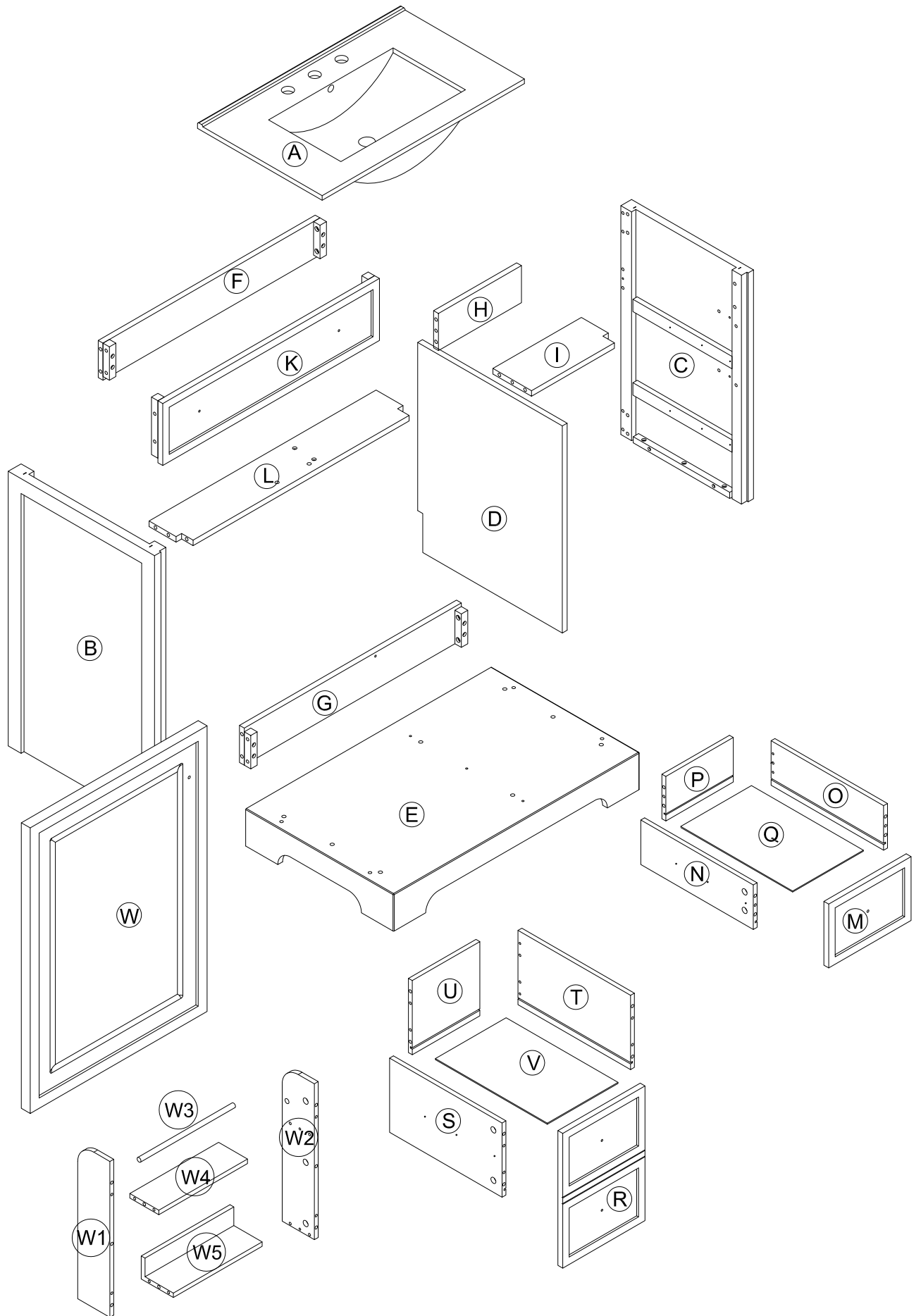


Installation & Assembly

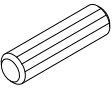
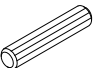
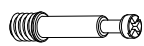



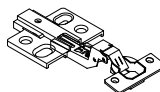
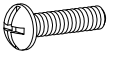

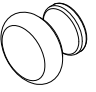
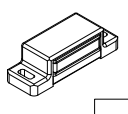


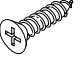
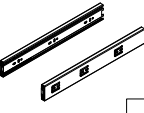





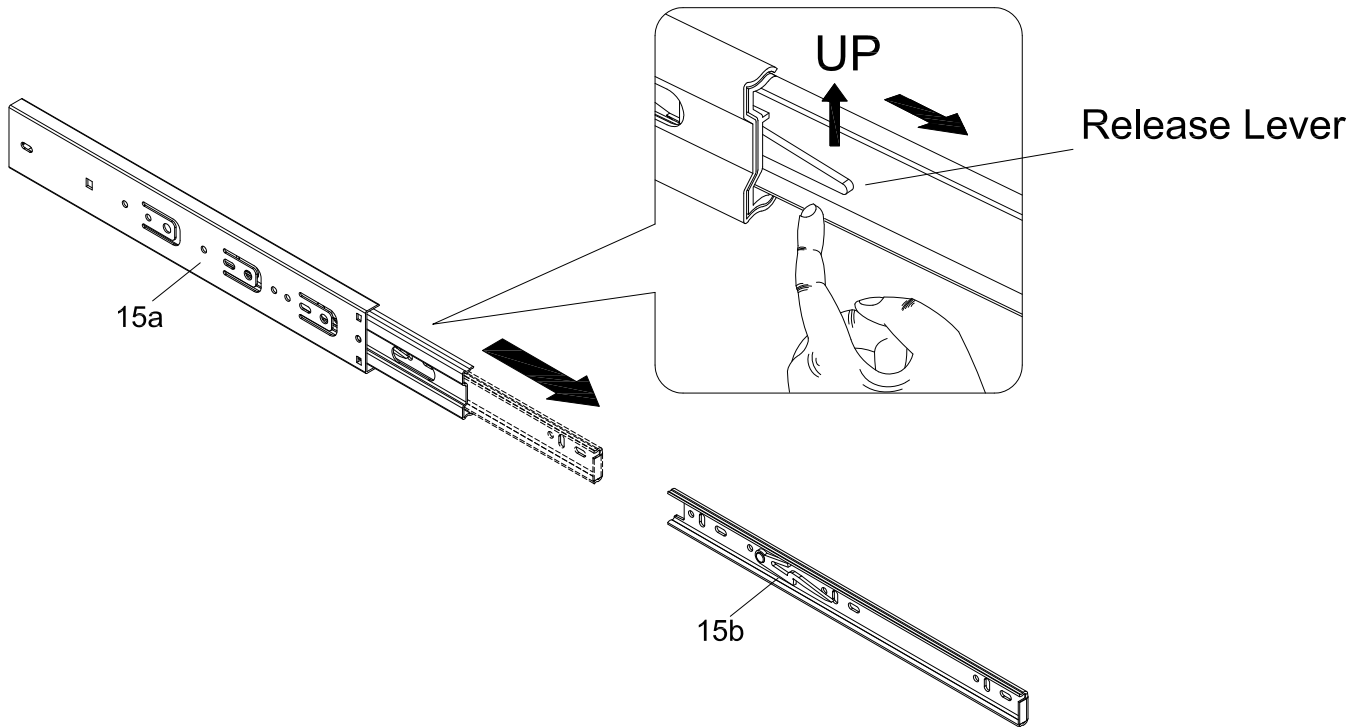
PACKAGE CONTENTS


PART	DESCRIPTION	QTY	PART	DESCRIPTION	QTY
A	Sink	X1	P	Drawer Back Panel	X1
B	Left Side Board	X1	Q	Drawer Bottom Panel	X1
C	Right Side Board	X1	R	Drawer Front Panel	X1
D	Middle Panel	X1	S	Drawer Left Panel	X1
E	Bottom Board	X1	T	Drawer Right Panel	X1
F	Back Upper Rail	X1	U	Drawer Back Panel	X1
G	Back Lower Rail	X1	V	Drawer Bottom Panel	X1
H	Back Middle Panel	X1	W	Door	X1
I	Front Lower Cornet panel	X1	W1	Left shelf panel	X1
K	Front Upper Rail	X1	W2	Right shelf panel	X1
L	Front Lower Cornet panel	X1	W3	upper shelf frame	X1
M	Drawer Front Panel	X1	W4	Middle Shelf panel	X1
N	Drawer Left Panel	X1	W5	Lower Shelf panel	X1
O	Drawer Right Panel	X1			

HARDWARE CONTENTS

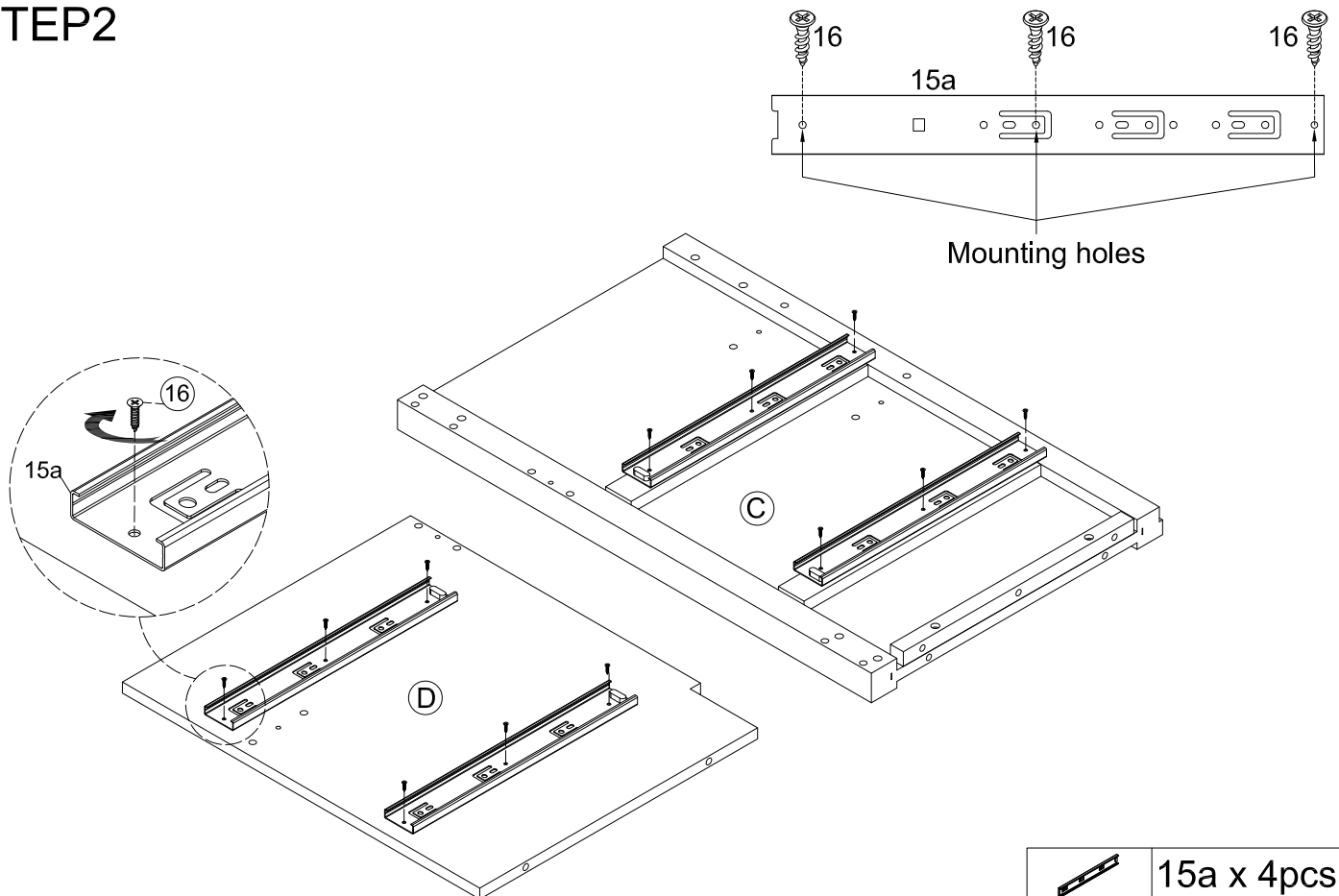
1  Ø8*30mm 26+2PCS	2  Ø6*30mm 24+2PCS	3  Ø6*33mm 35+2PCS	4  Ø15*9mm 35+2PCS
5  Ø4*25mm 3PCS	6  D7*Ø3.5*12mm 12+1PCS	7  2PCS	8  1/4"*25mm 20+2PCS
9  3/18"*20mm 6PCS	10  6PCS	11  1PC	12  Ø3*15mm 2PCS
13  1PC	14  Ø3*12mm 1PC	15  2SET	16  Ø3*10mm 24+2PCS



STEP1



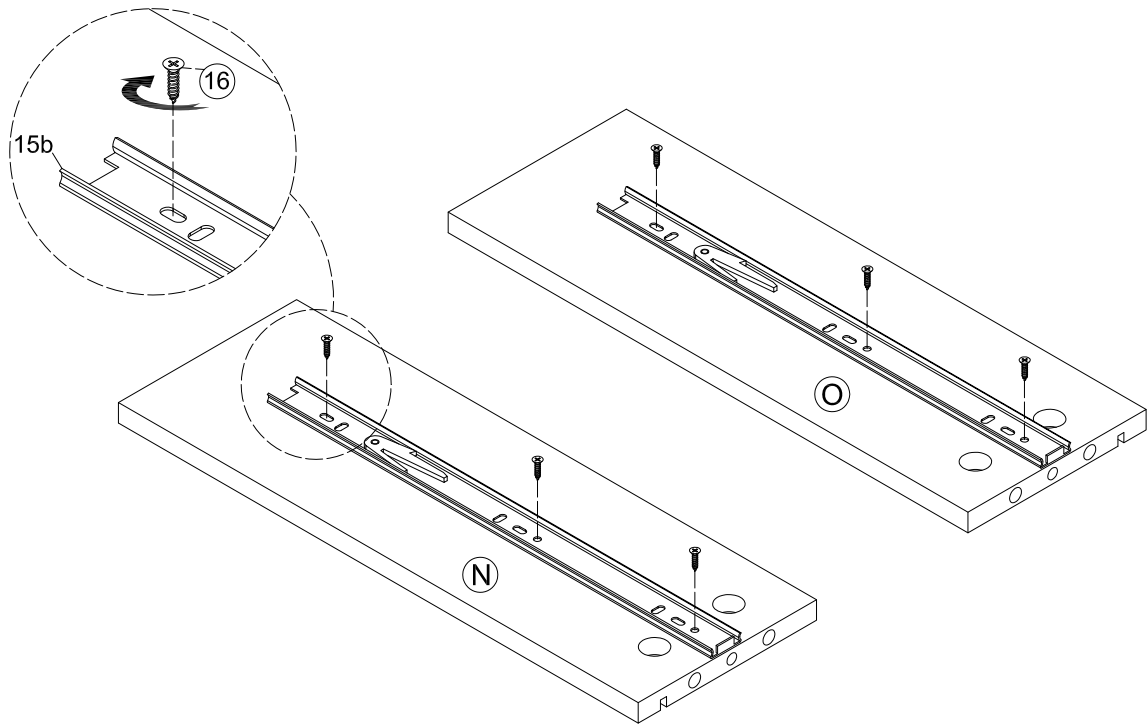
	16 x 2SET
---	-----------

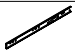

STEP2



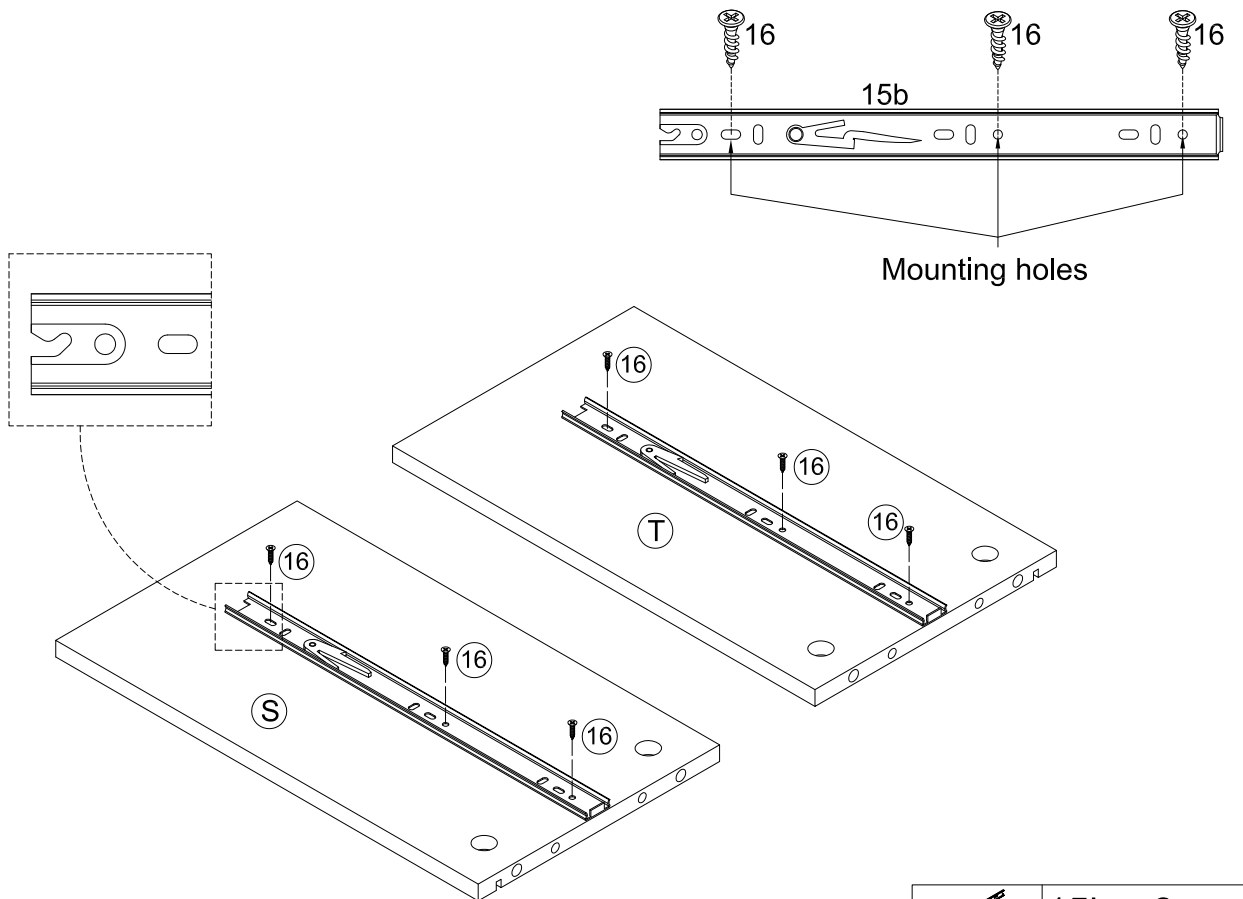
	15a x 4pcs
	16 x 12pcs

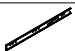

STEP3



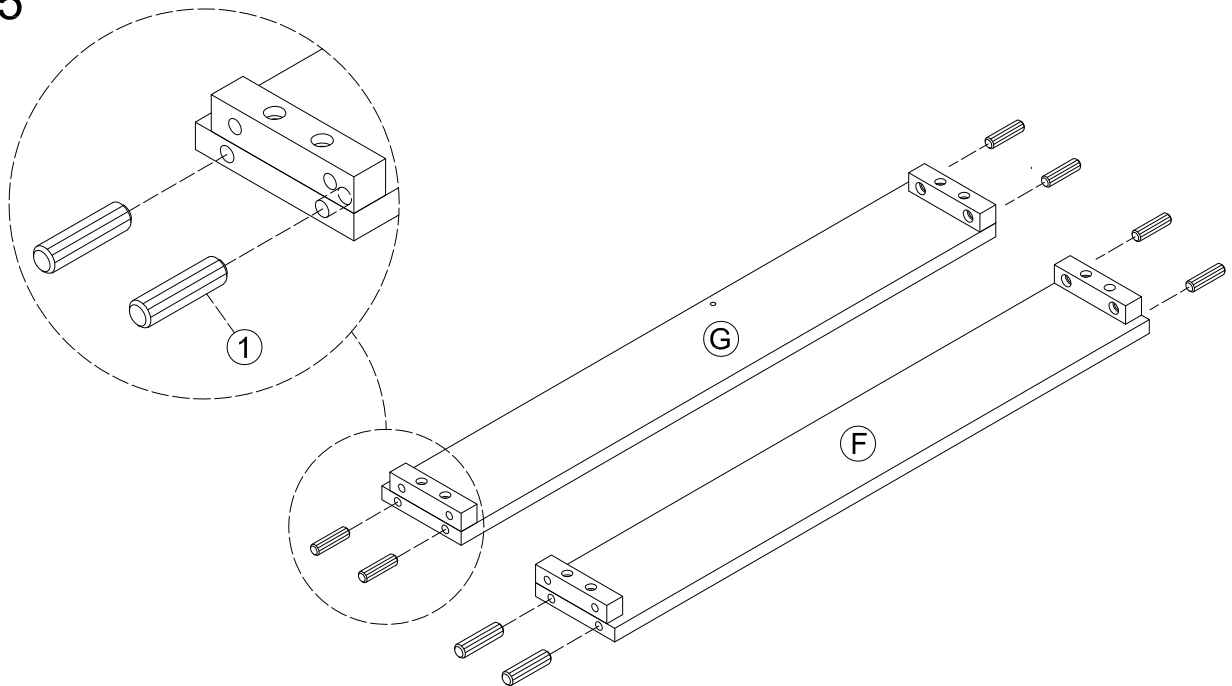
	15b x 2pcs
	16 x 6pcs

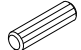
STEP4



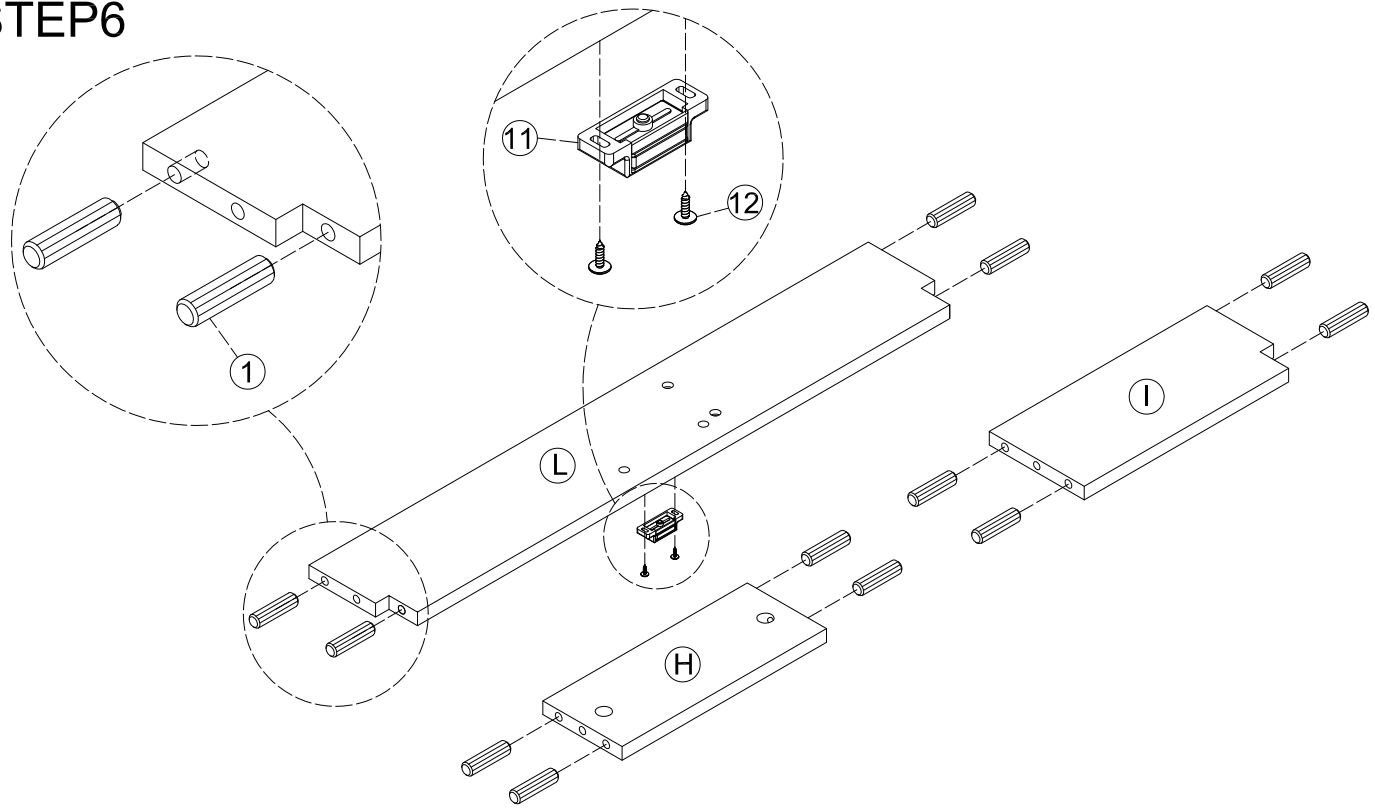
	15b x 2pcs
	16 x 6pcs



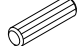
STEP5



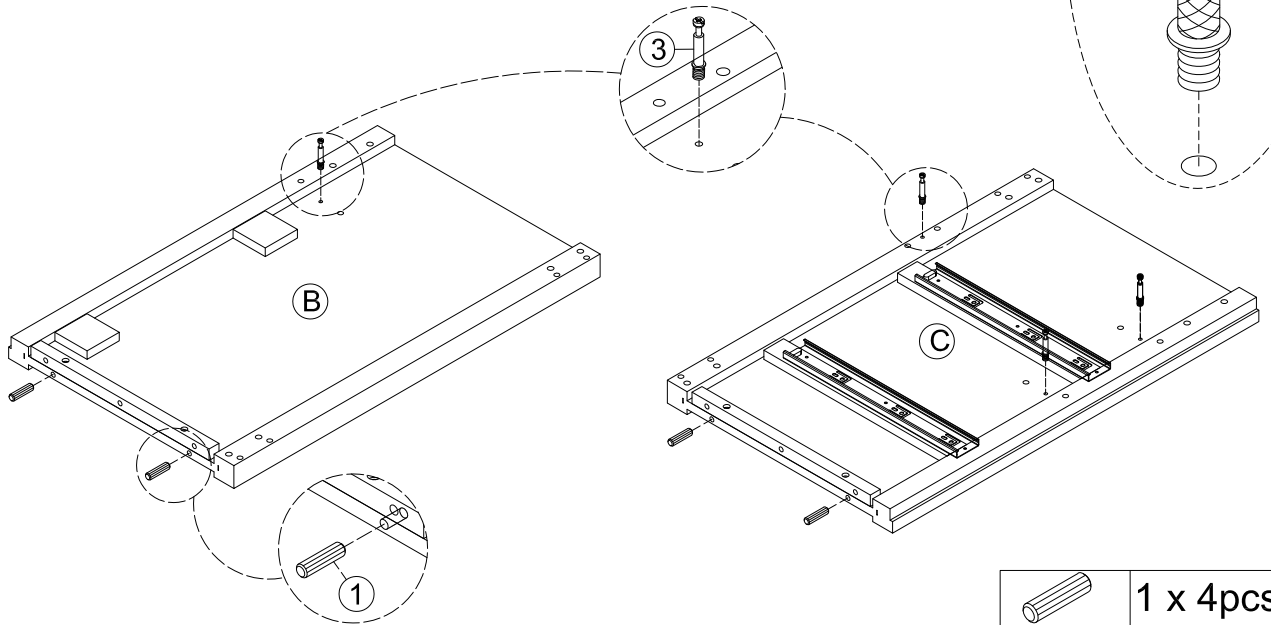
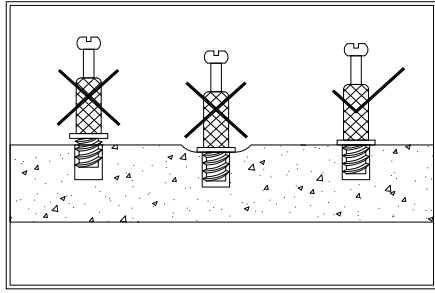
	1 x 8pcs
---	----------



STEP6



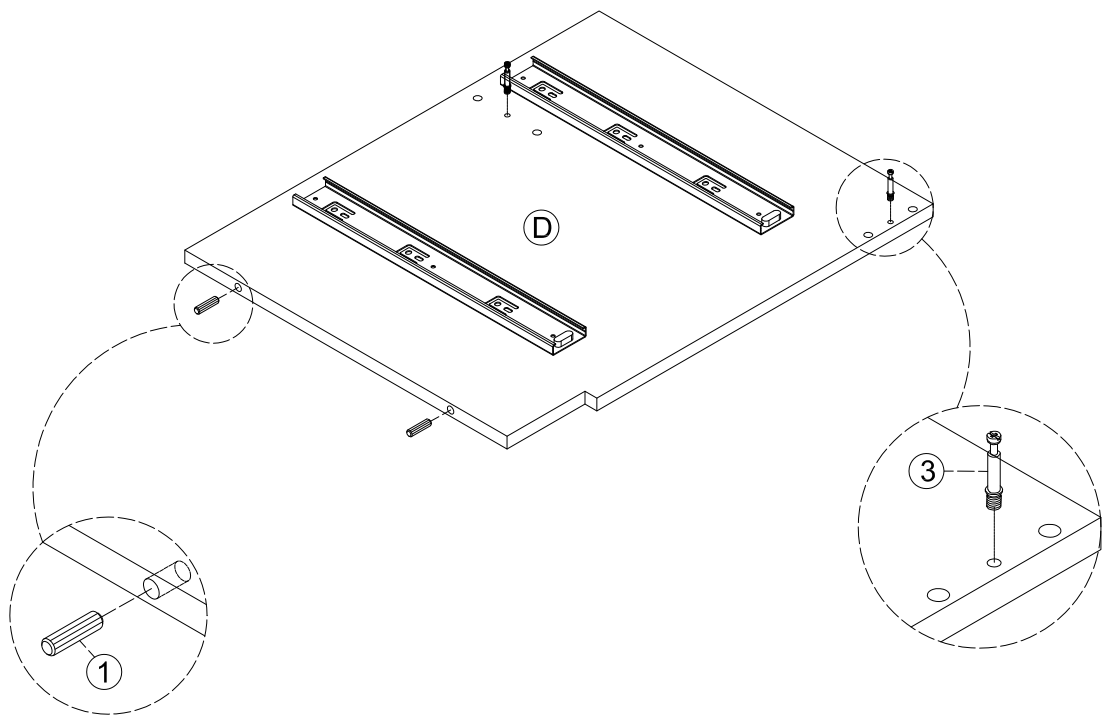
	11 x 1pc
	12 x 2pcs
	1 x 12pcs


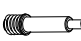
STEP 7



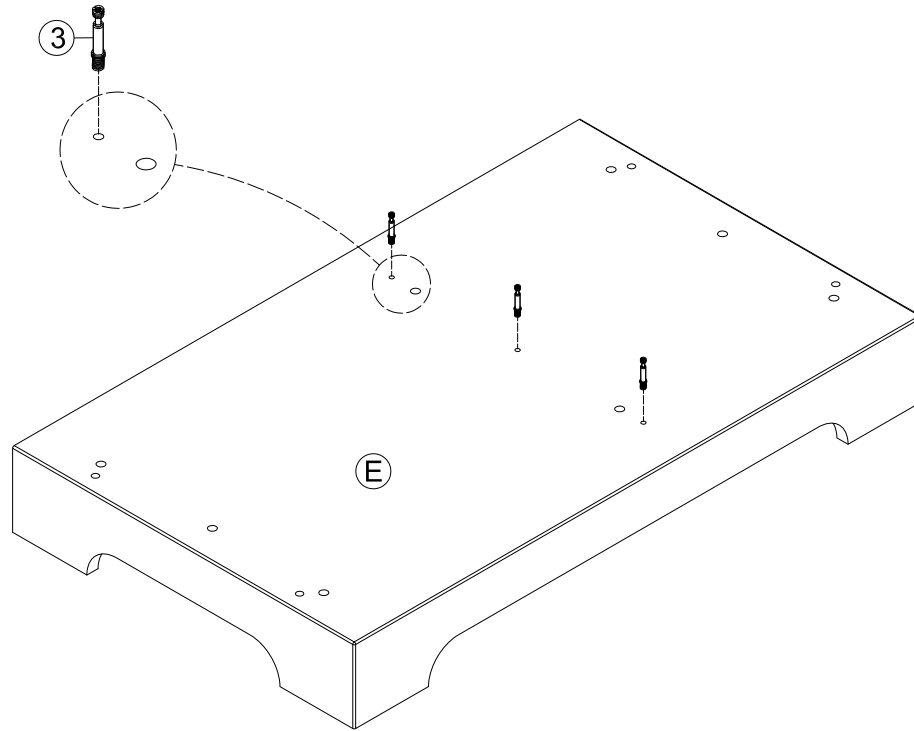
	1 x 4pcs
	3 x 4pcs

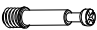
STEP 8



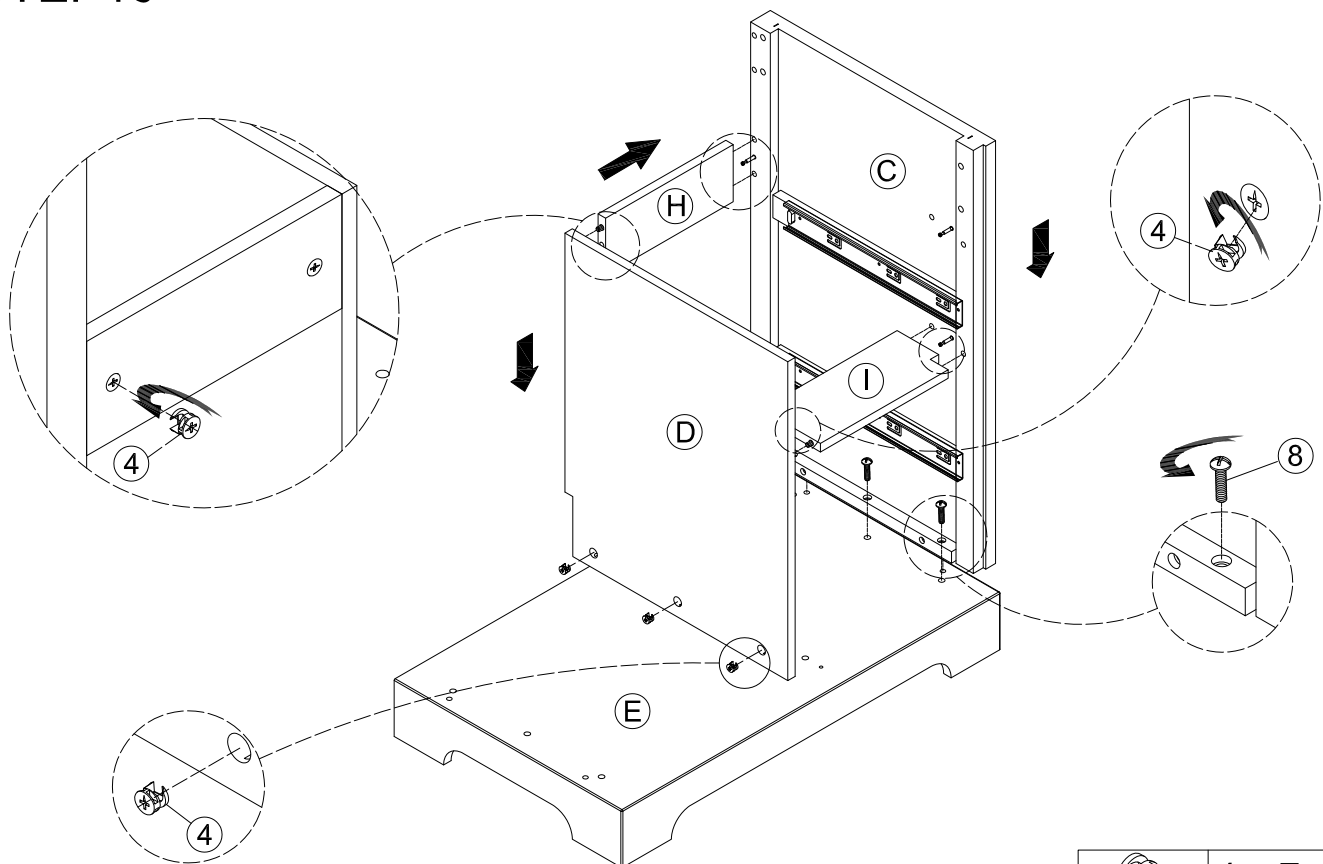
	1 x 2pcs
	3 x 2pcs



STEP9



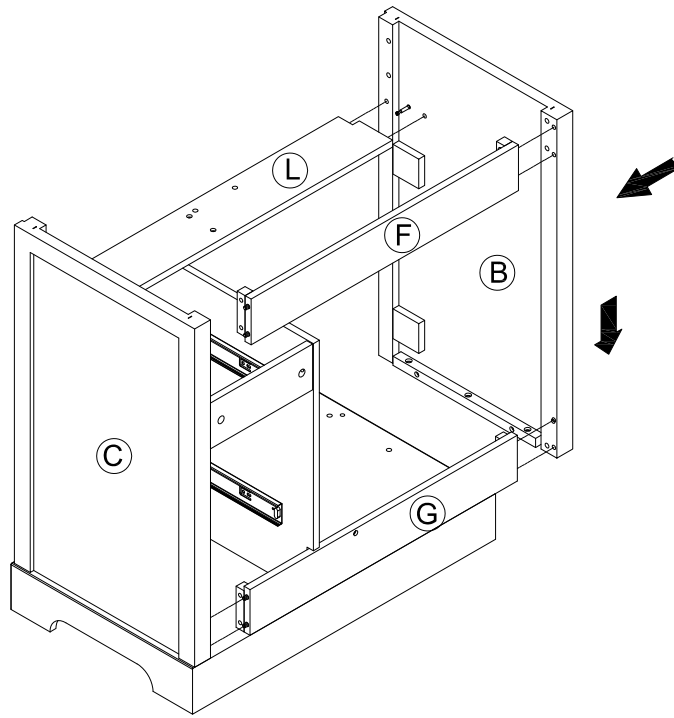
 3 x 3pcs

STEP10

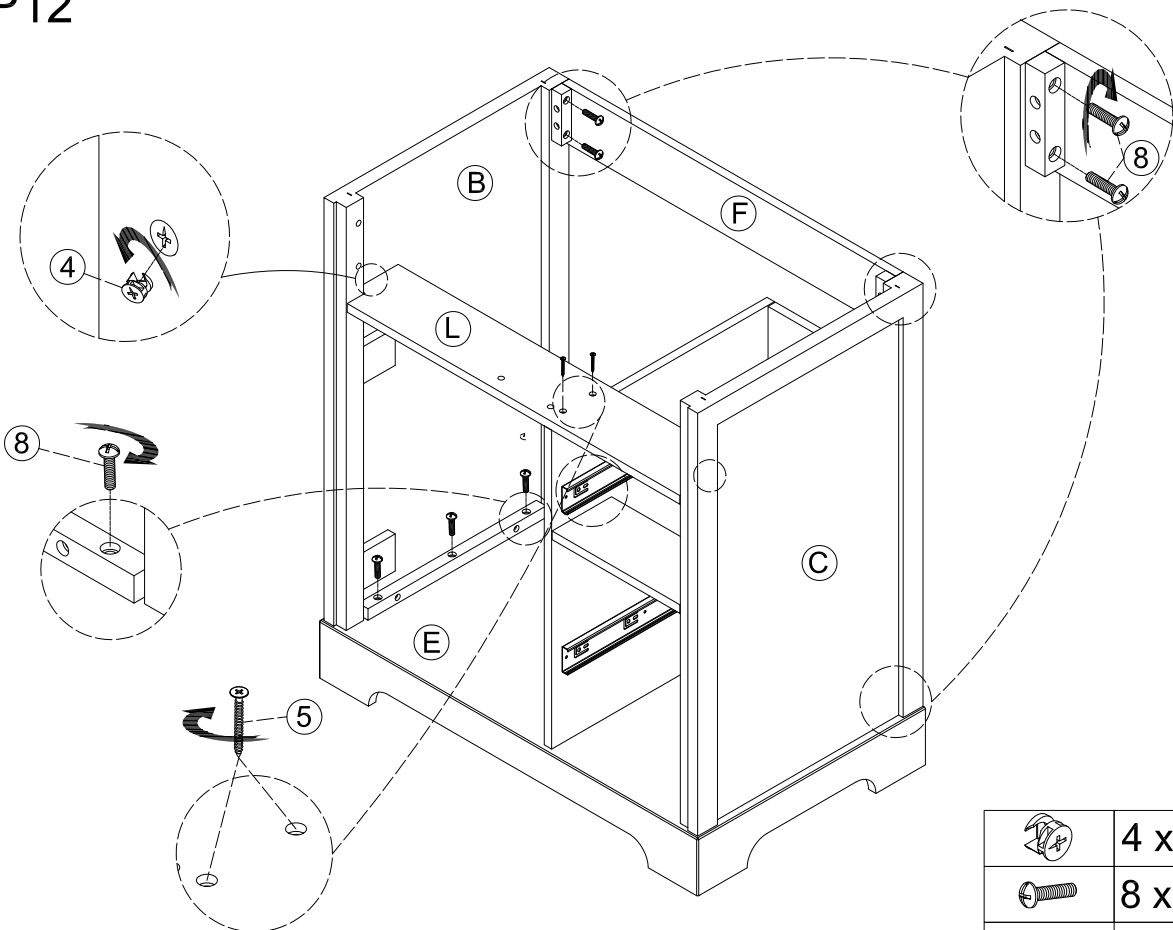




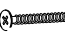
 4 x 7pcs
 8 x 3pcs

STEP11

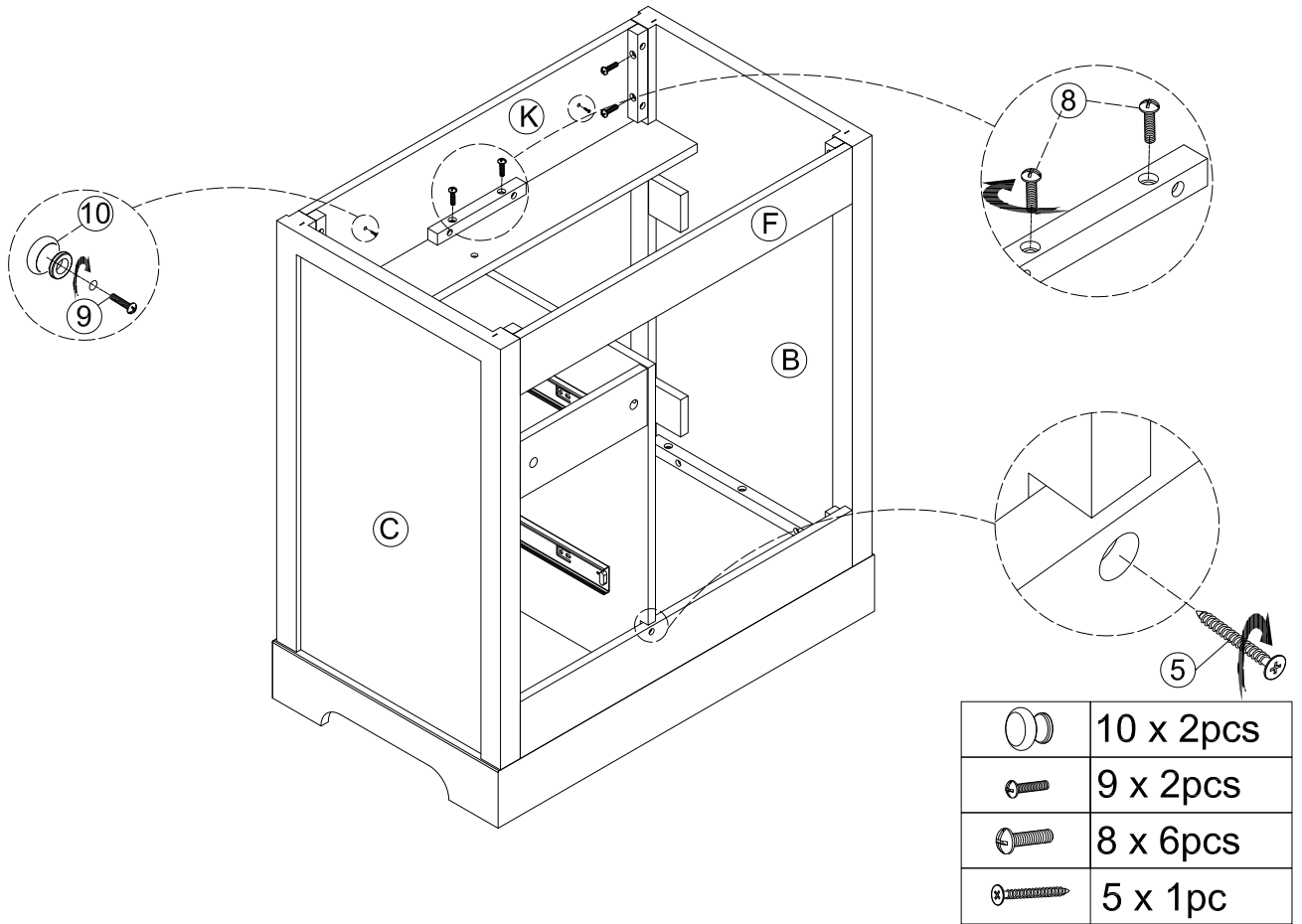


STEP12

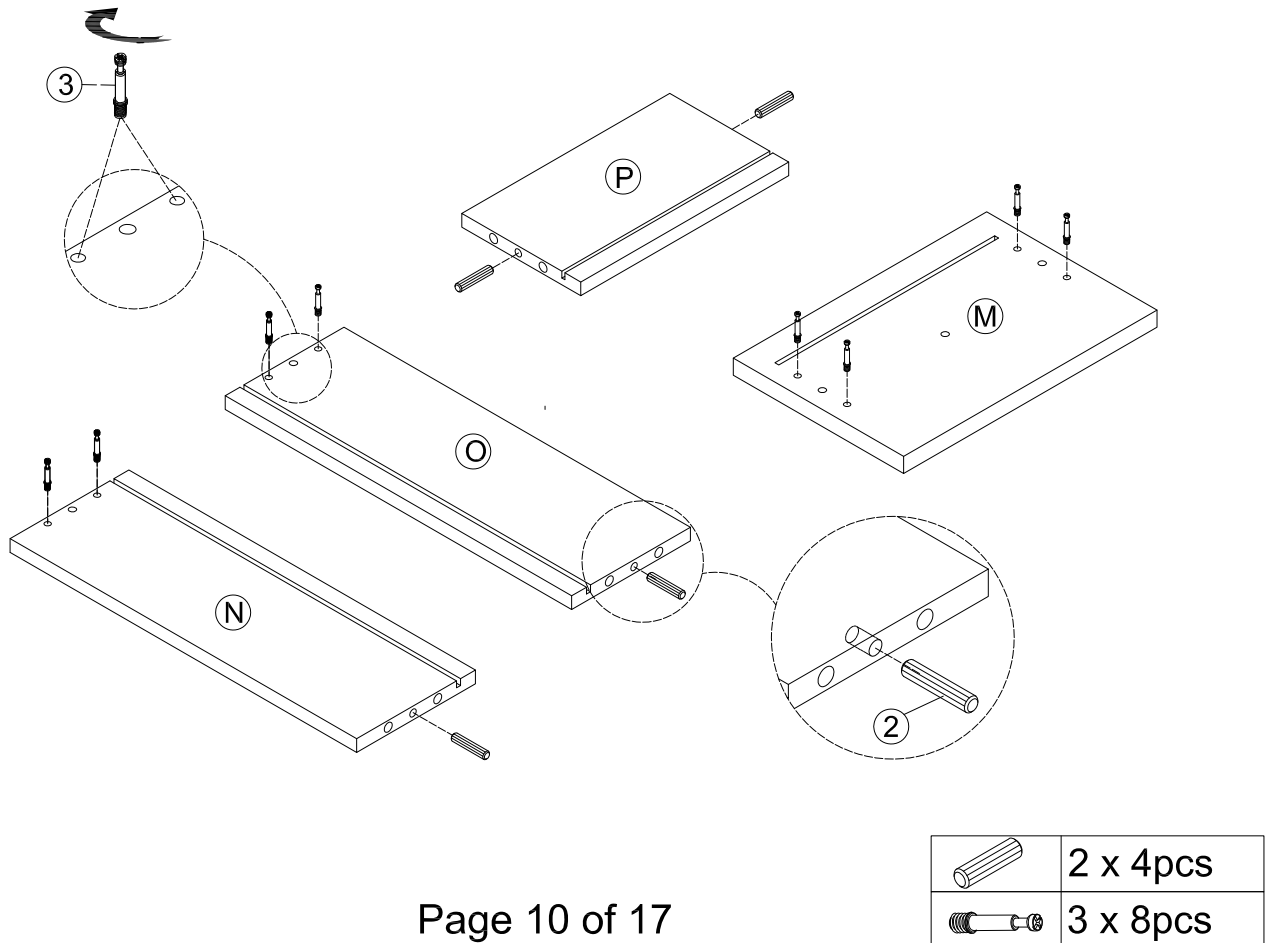


	4 x 2pcs
	8 x 11pcs
	5 x 2pcs

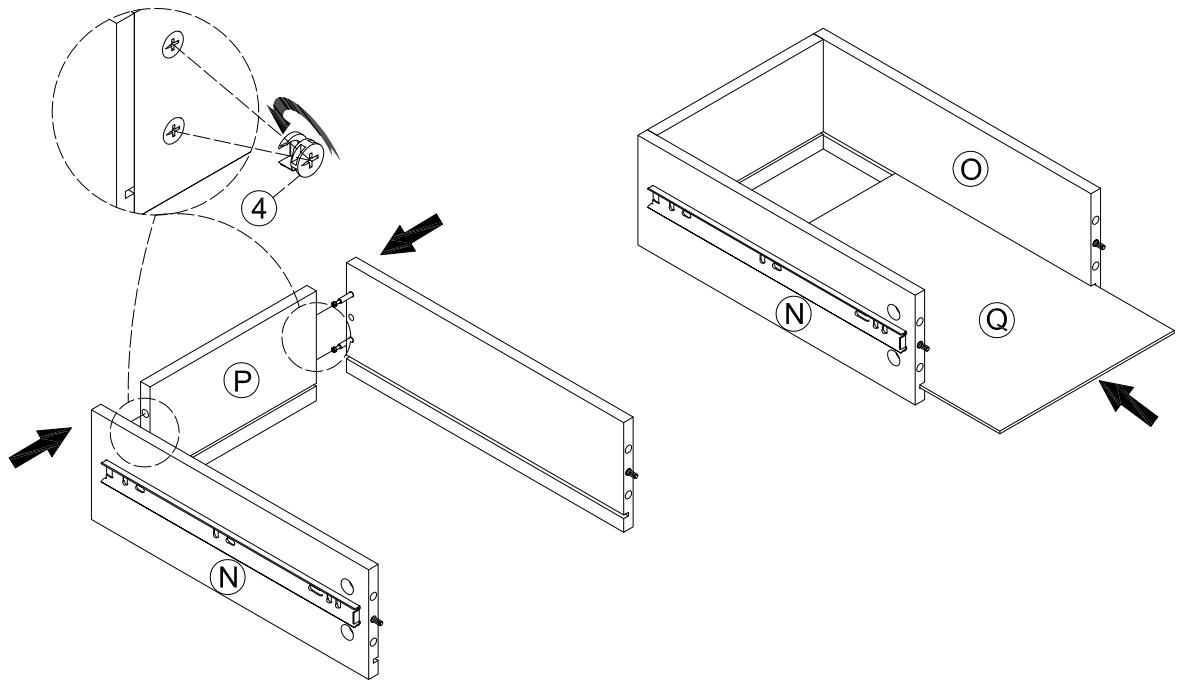
STEP13




STEP14

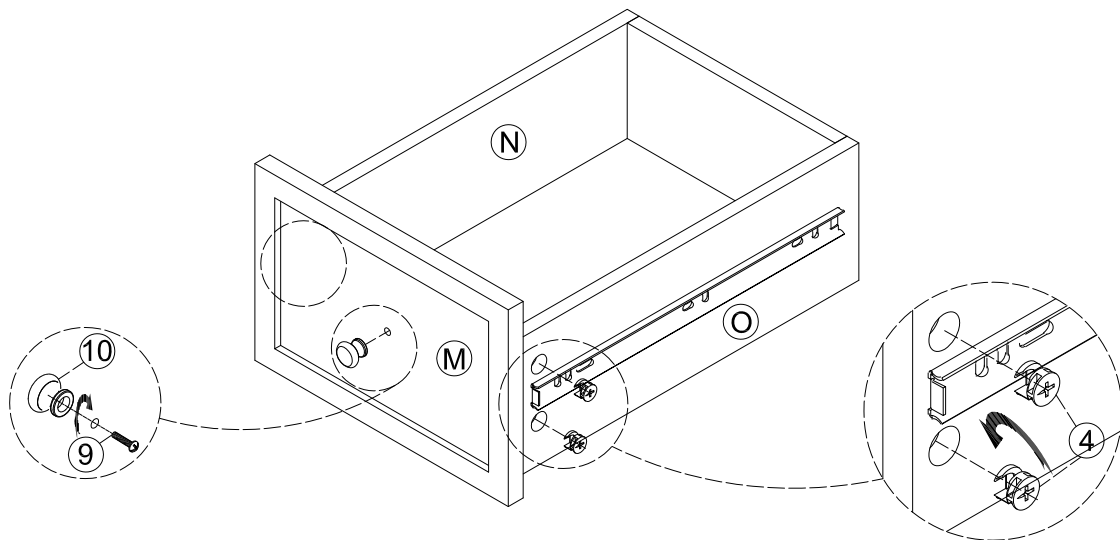





STEP15



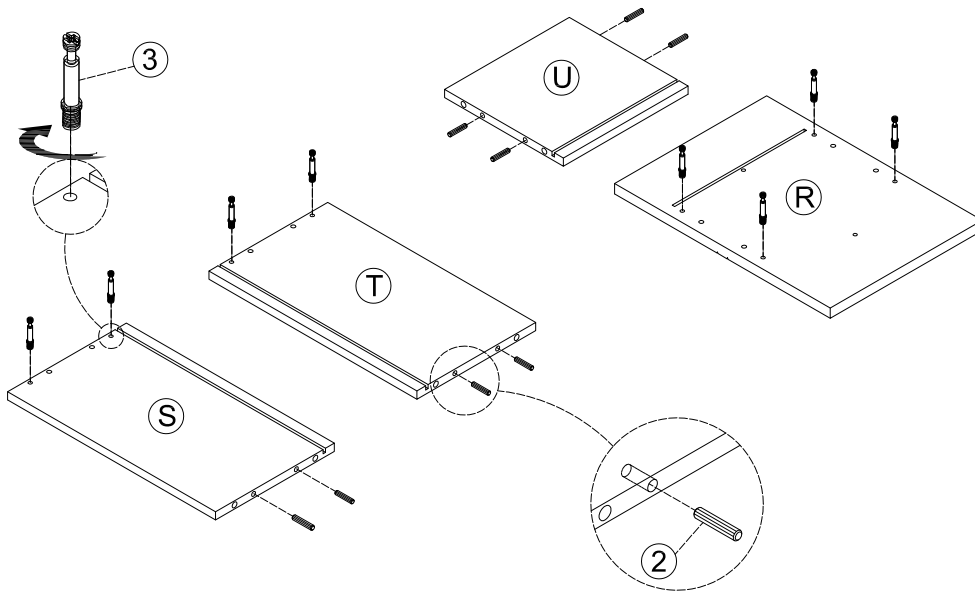
	4 x 4pcs
---	----------

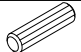
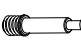
STEP16



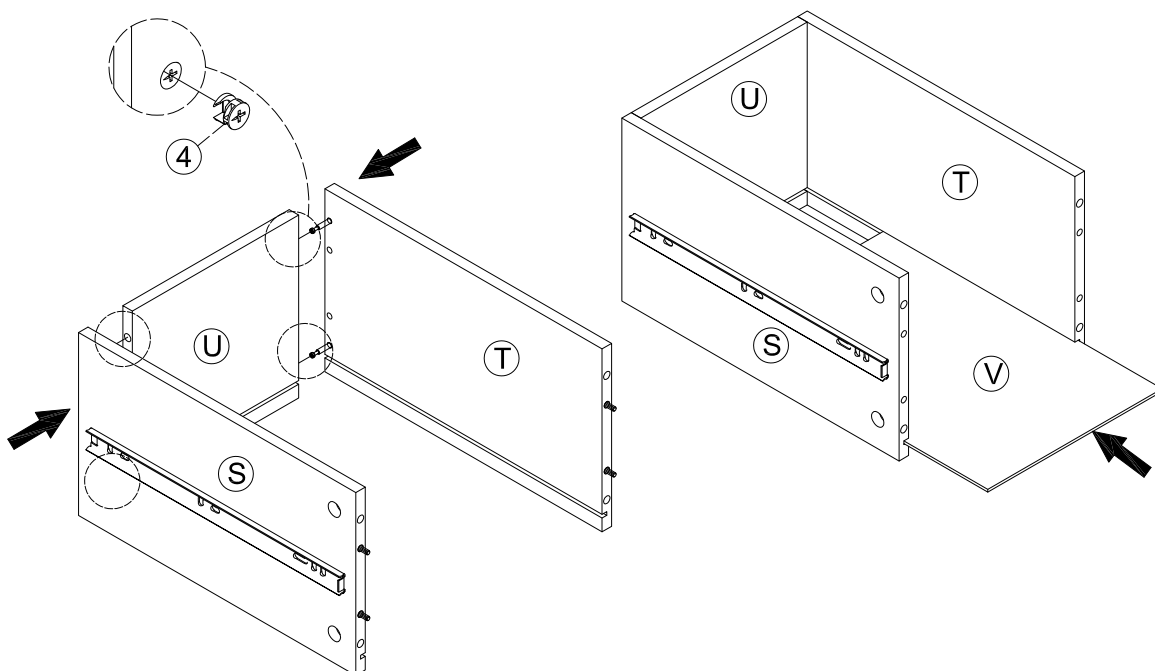
	4 x 4pcs
	10 x 1pc
	9 x 1pc


STEP17



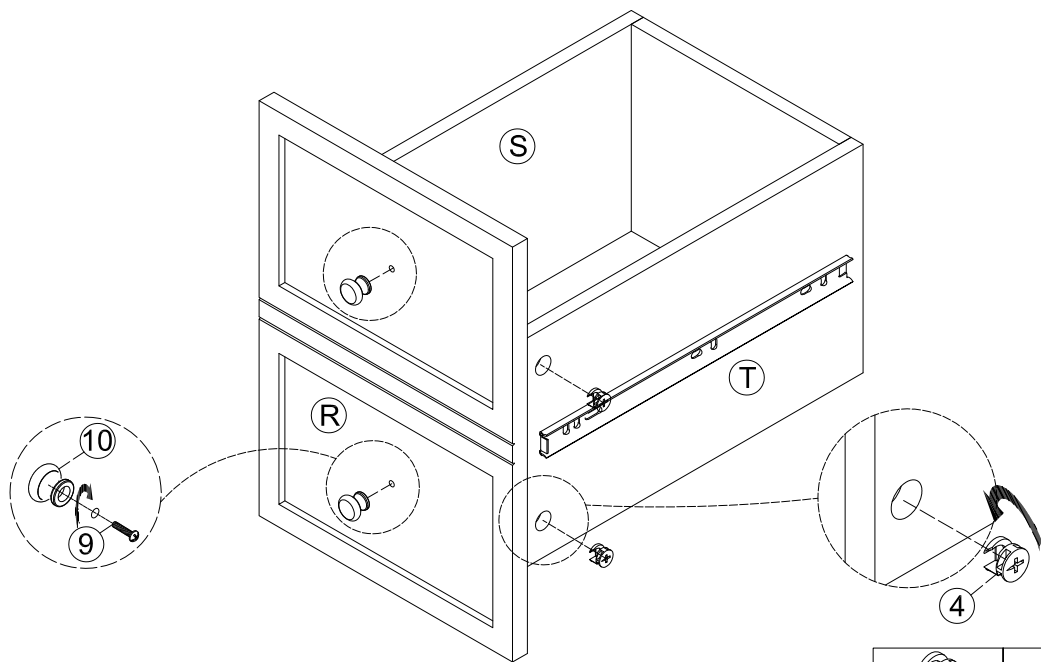
	2 x 8pcs
	3 x 8pcs




STEP18



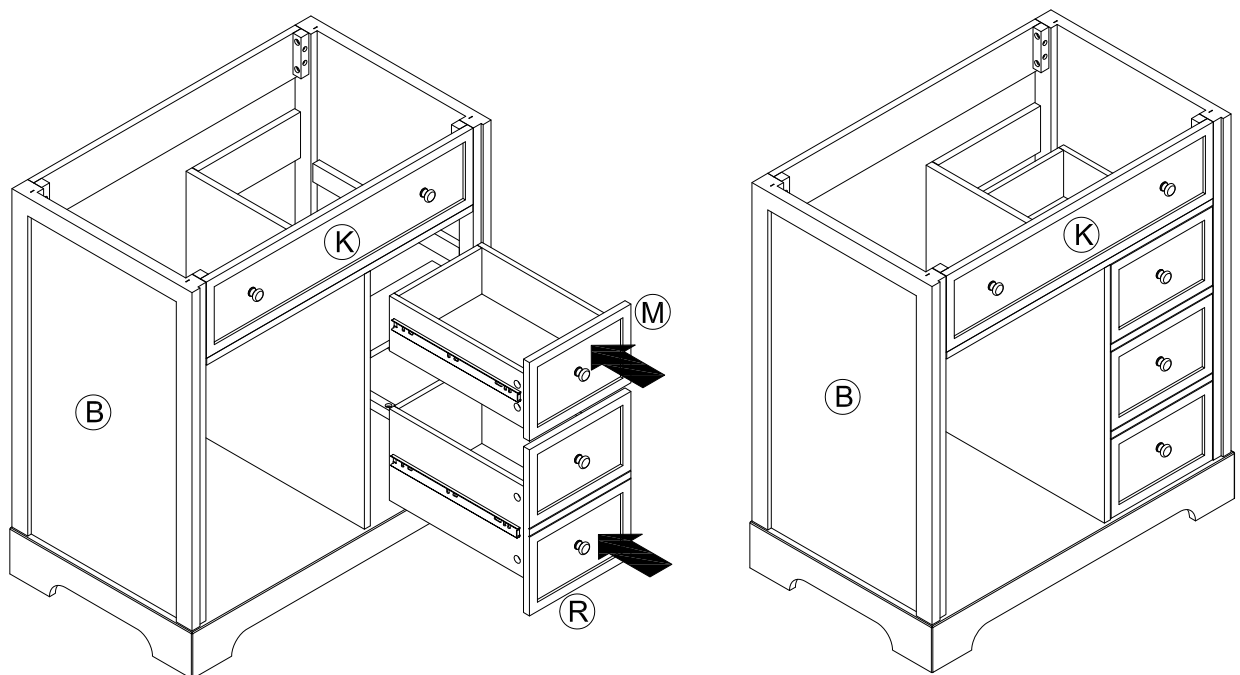
	4 x 4pcs
---	----------

STEP19

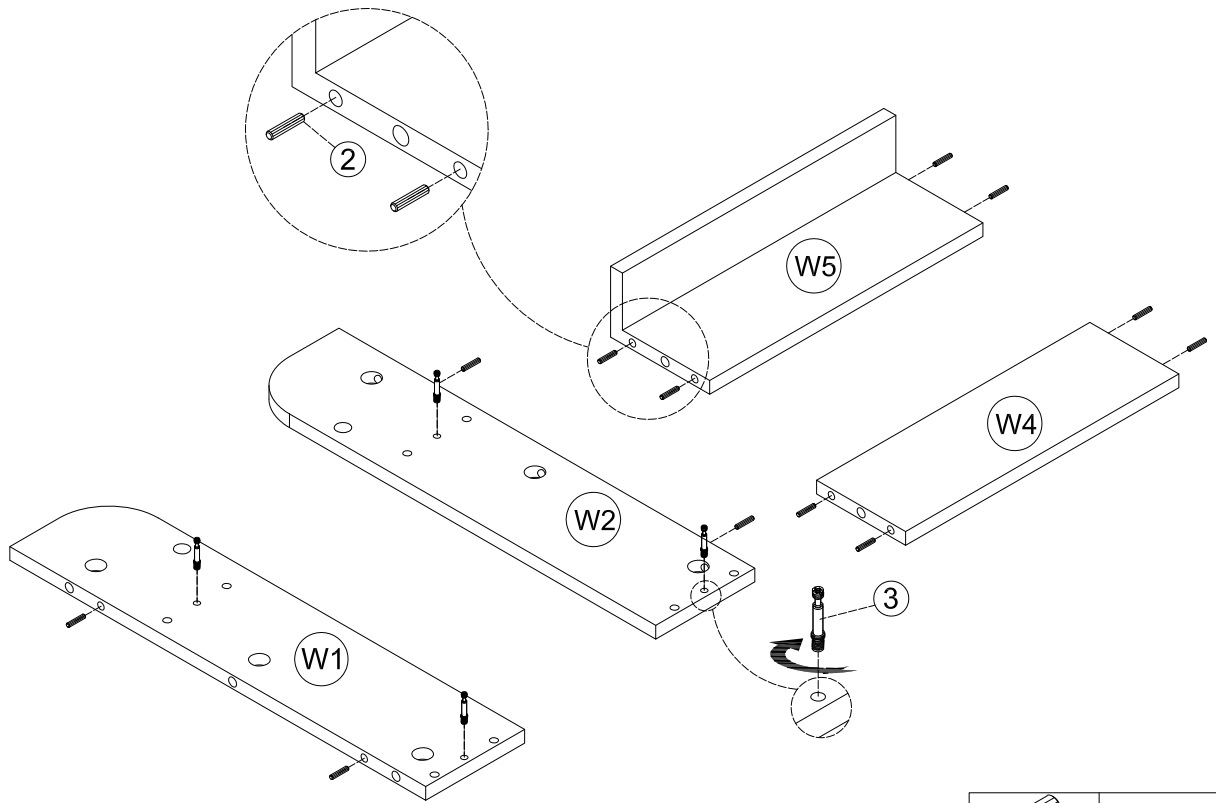


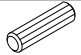
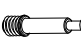
	4 x 4pcs
	10 x 2pcS
	9 x 2pcS

STEP20

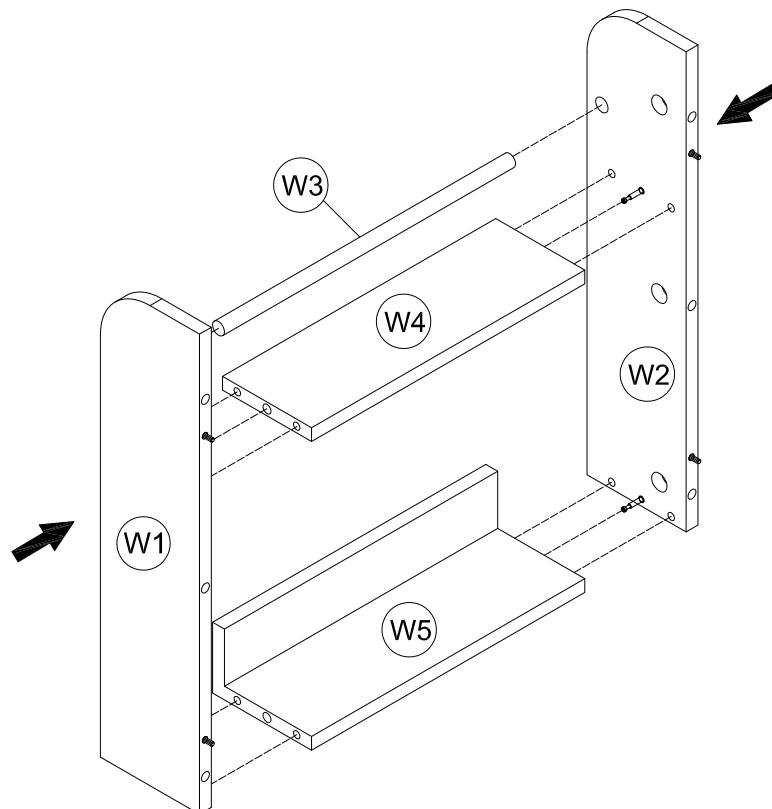


STEP21



	2 x 12pcs
	3 x 4pcs

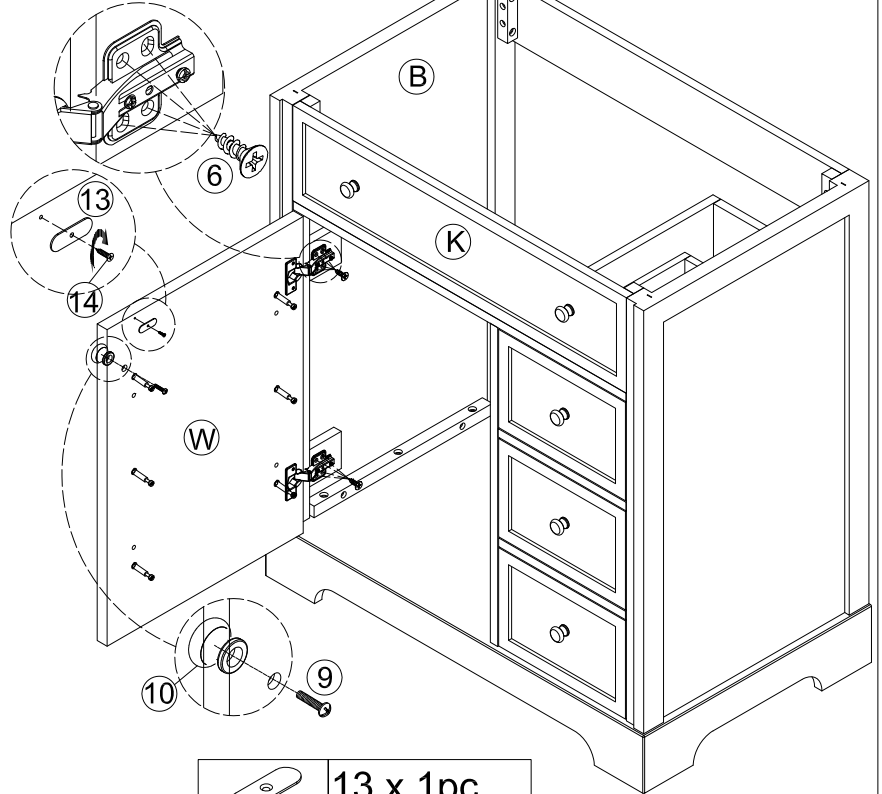
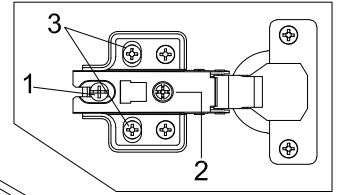
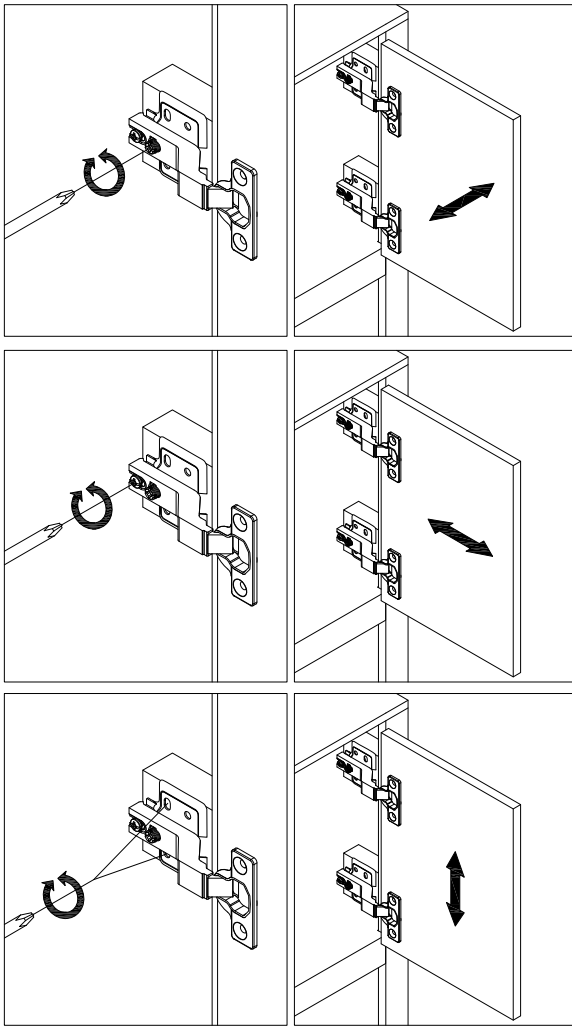
STEP22




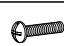



STEP25

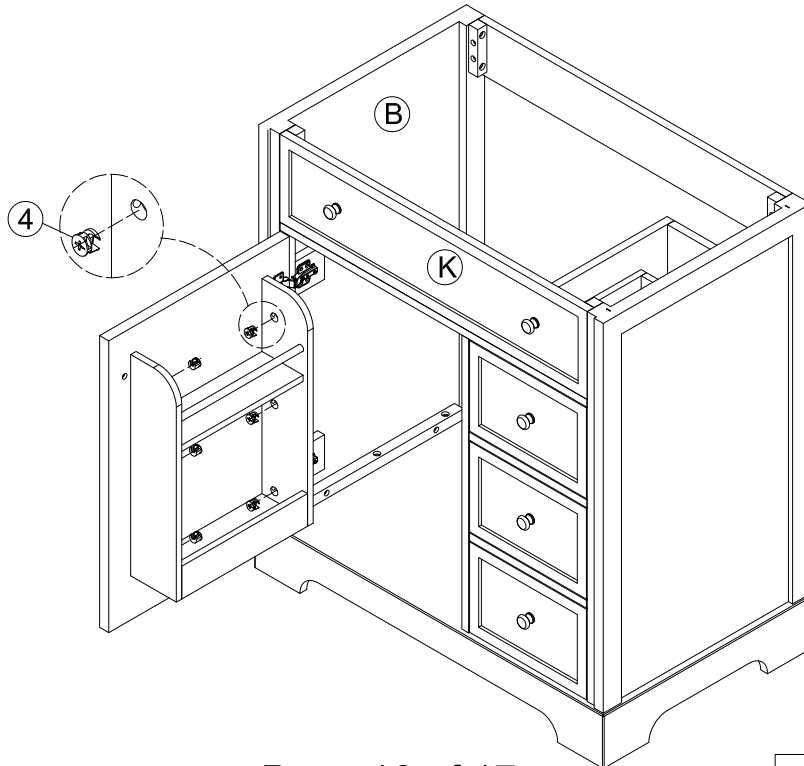
Three-way adjustable hinge for perfectly aligned doors

1. TO ADJUST DOOR FORWARD OR BACKWARD.
2. TO ADJUST DOOR TO RIGHT OR TO LEFT.
3. TO ADJUST DOOR UP OR DOWN.

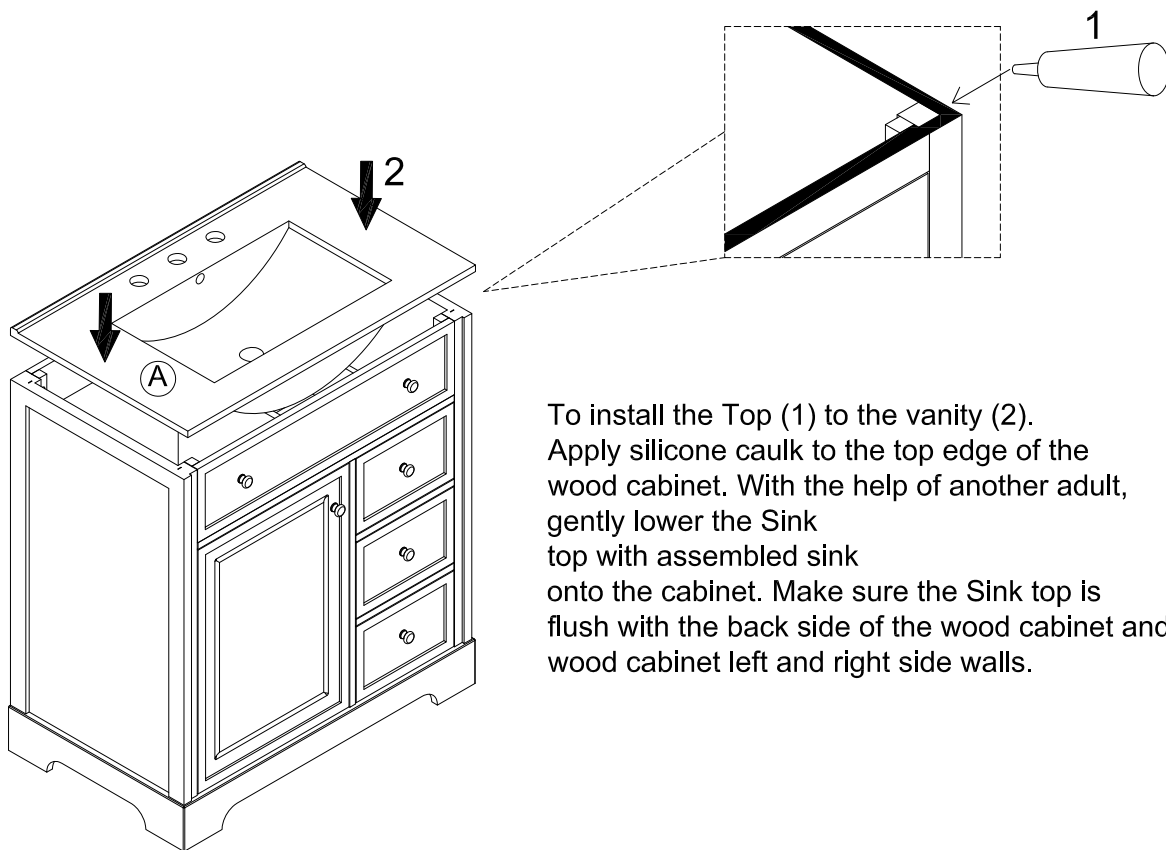


	13 x 1pc		10 x 1pc
	14 x 1pc		9 x 1pc
	6 x 8pcs		

STEP26



STEP27



To install the Top (1) to the vanity (2). Apply silicone caulk to the top edge of the wood cabinet. With the help of another adult, gently lower the Sink top with assembled sink onto the cabinet. Make sure the Sink top is flush with the back side of the wood cabinet and the wood cabinet left and right side walls.

STEP28

