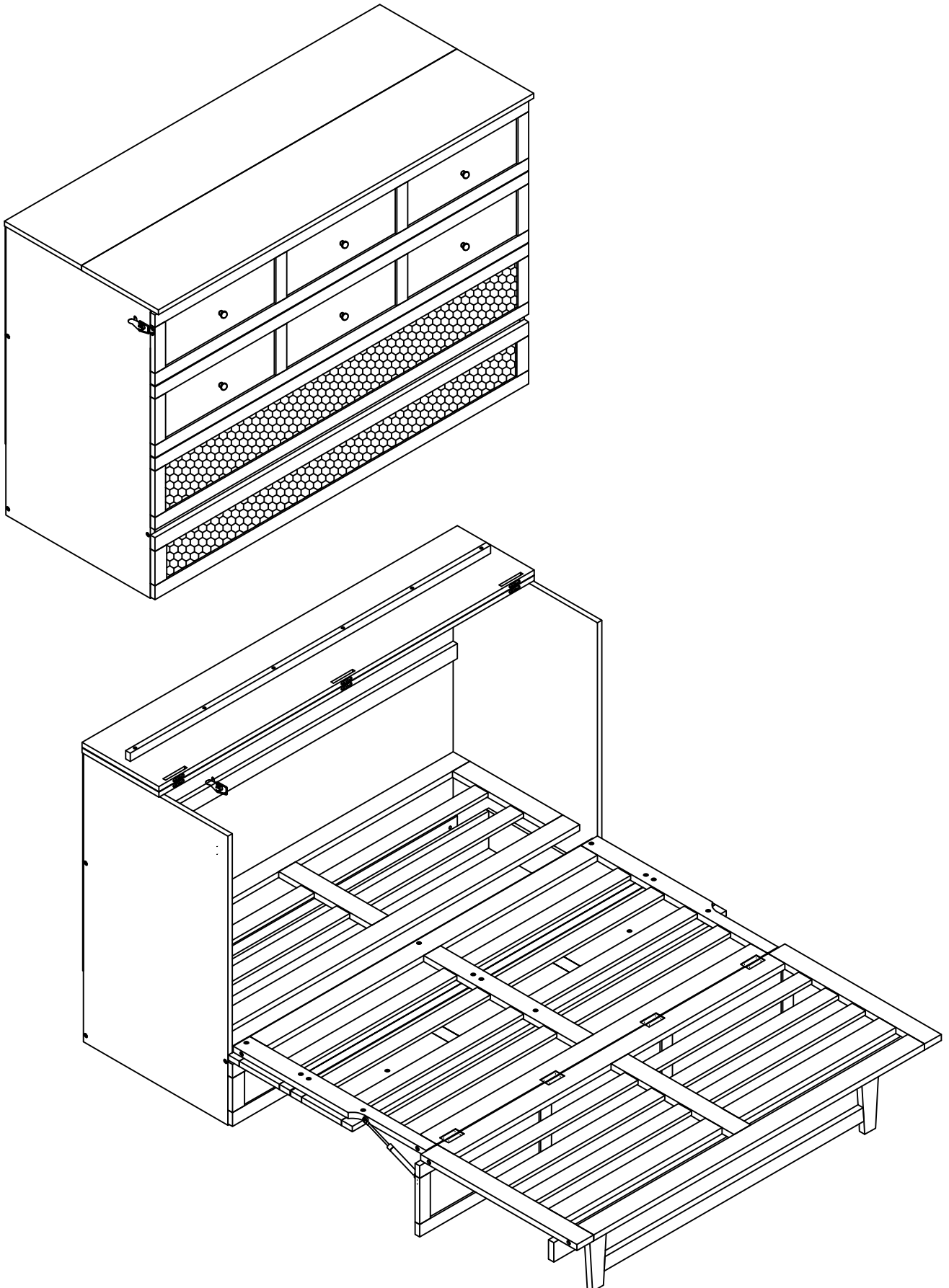
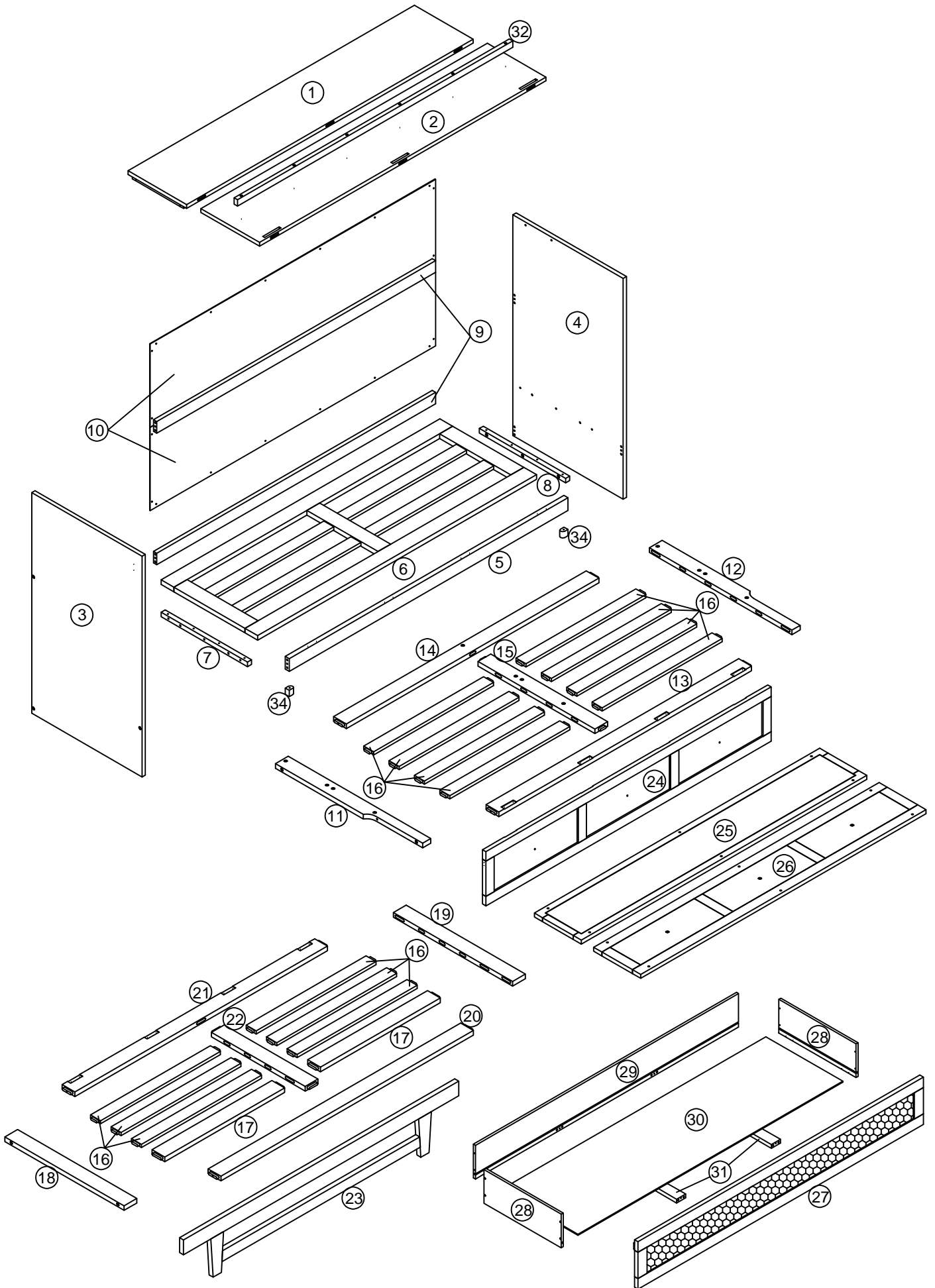


ASSEMBLY INSTRUCTIONS

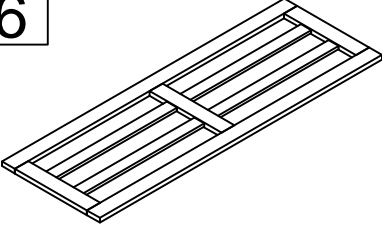
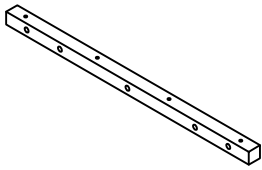
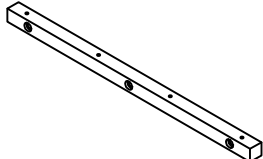
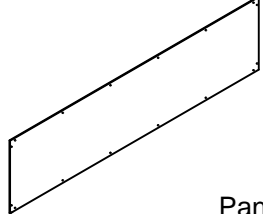
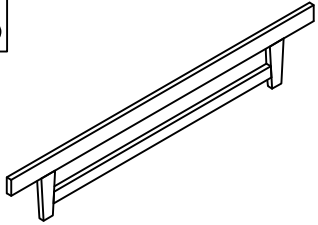
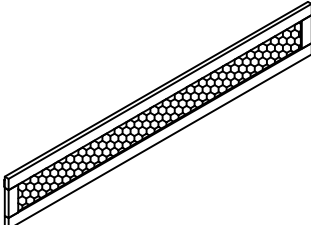
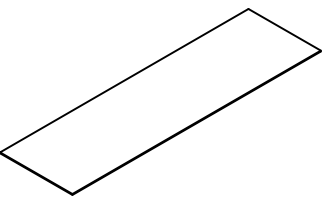
SKU: WF531900-WF531901-WF531902



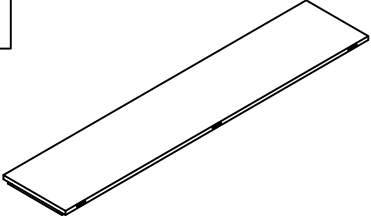
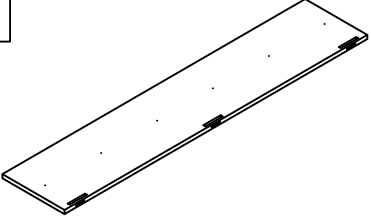
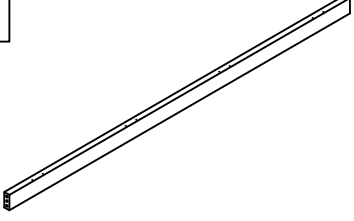
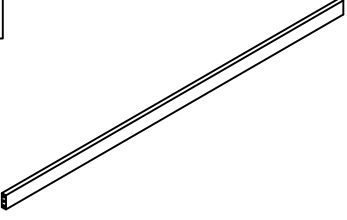
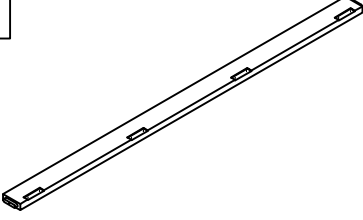
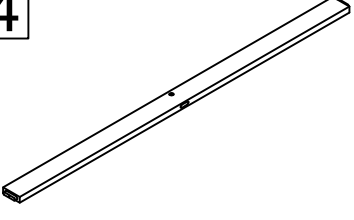
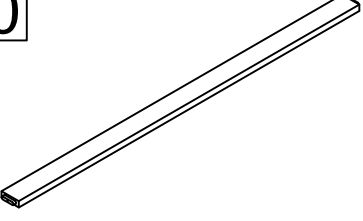
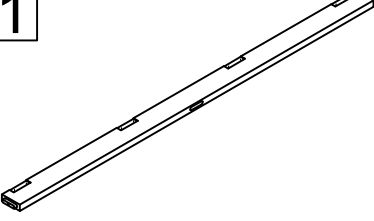
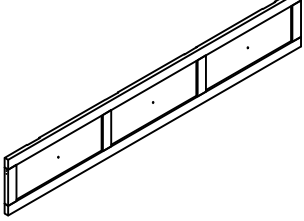
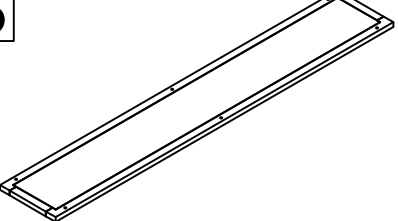
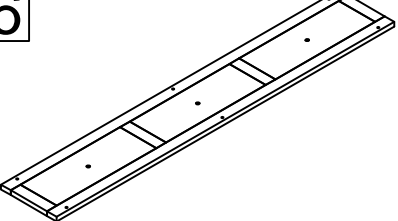
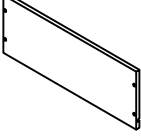
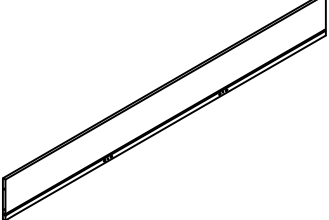
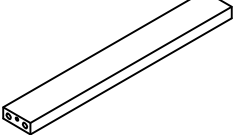
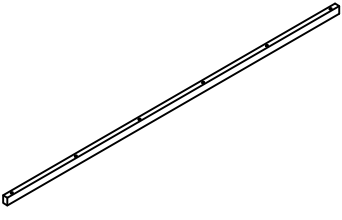
Detail View



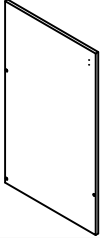

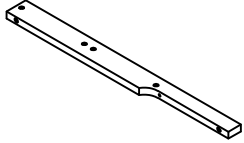
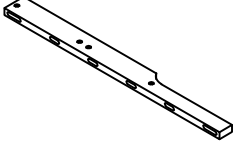
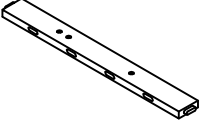
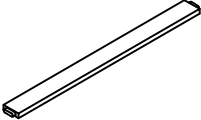
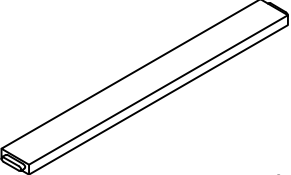
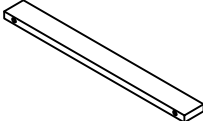
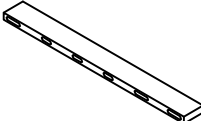
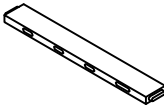
Part Lists (Box 1-WF531900)

6 	7 	8 
10  Panel-2pcs	23 	27 
30 		

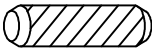
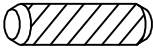
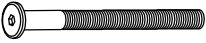


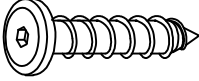
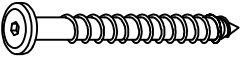
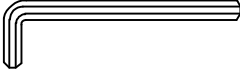


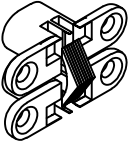
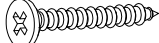
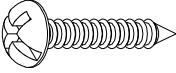
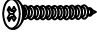
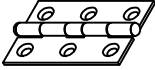
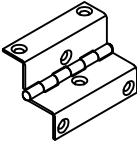


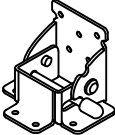
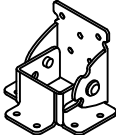
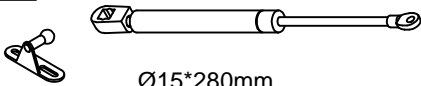
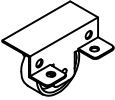


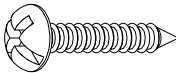
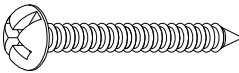

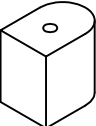
Part Lists (Box 2-WF531901)

<p>1</p> 	<p>2</p> 	<p>5</p> 
<p>9</p> 	<p>13</p> 	<p>14</p> 
<p>20</p> 	<p>21</p> 	<p>24</p> 
<p>25</p> 	<p>26</p> 	<p>28</p>  <p>Panel-2pcs</p>
<p>29</p> 	<p>31</p>  <p>Panel-2pcs</p>	<p>32</p> 

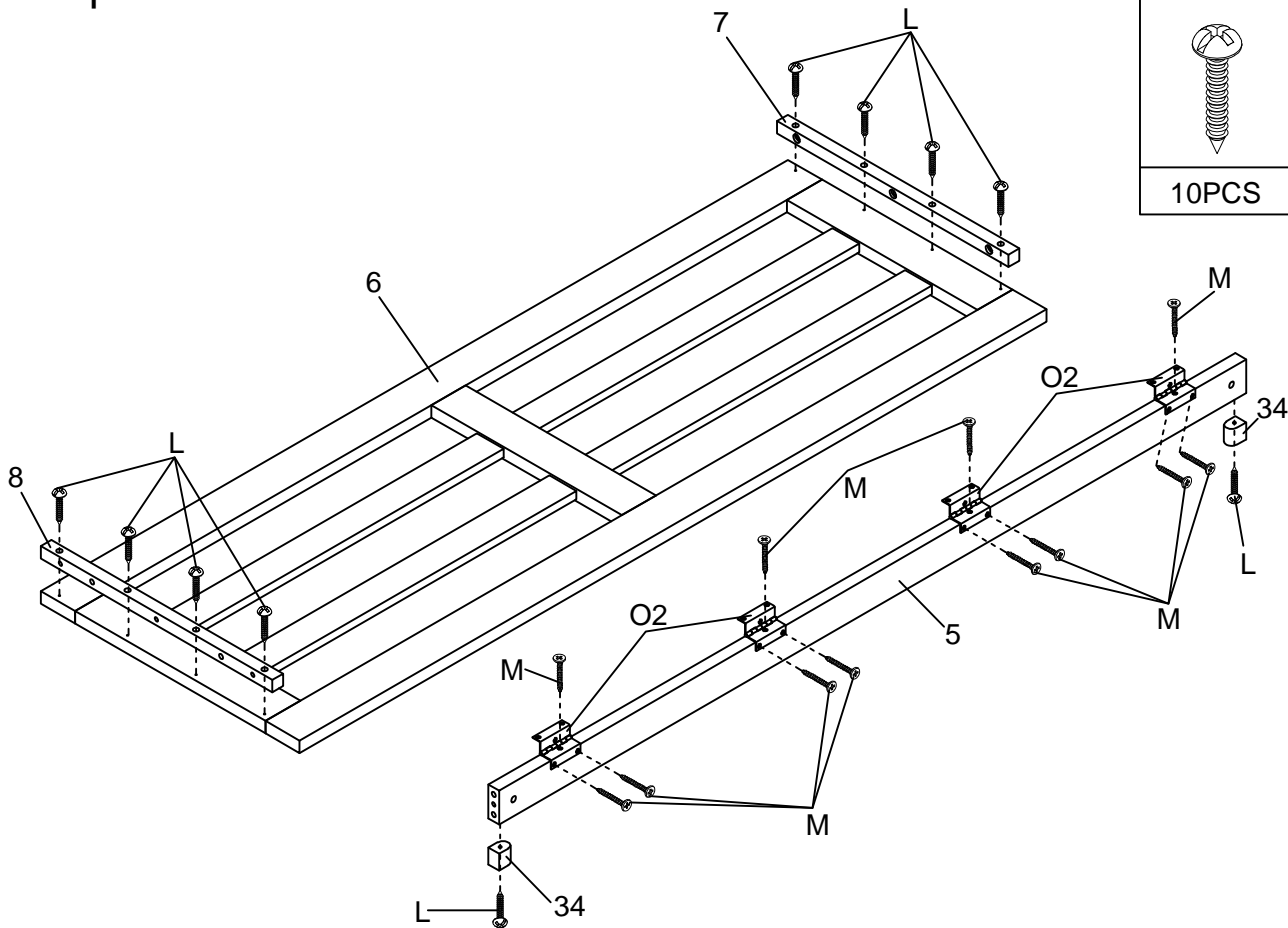
Part Lists (Box 3-WF531902)


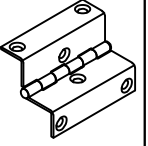

3 	4 	11 
12 	15 	16  Slat-14pcs
17  Lat-2pcs	18 	19 
22 		

Hardware Lists (Box 3-WF531902)

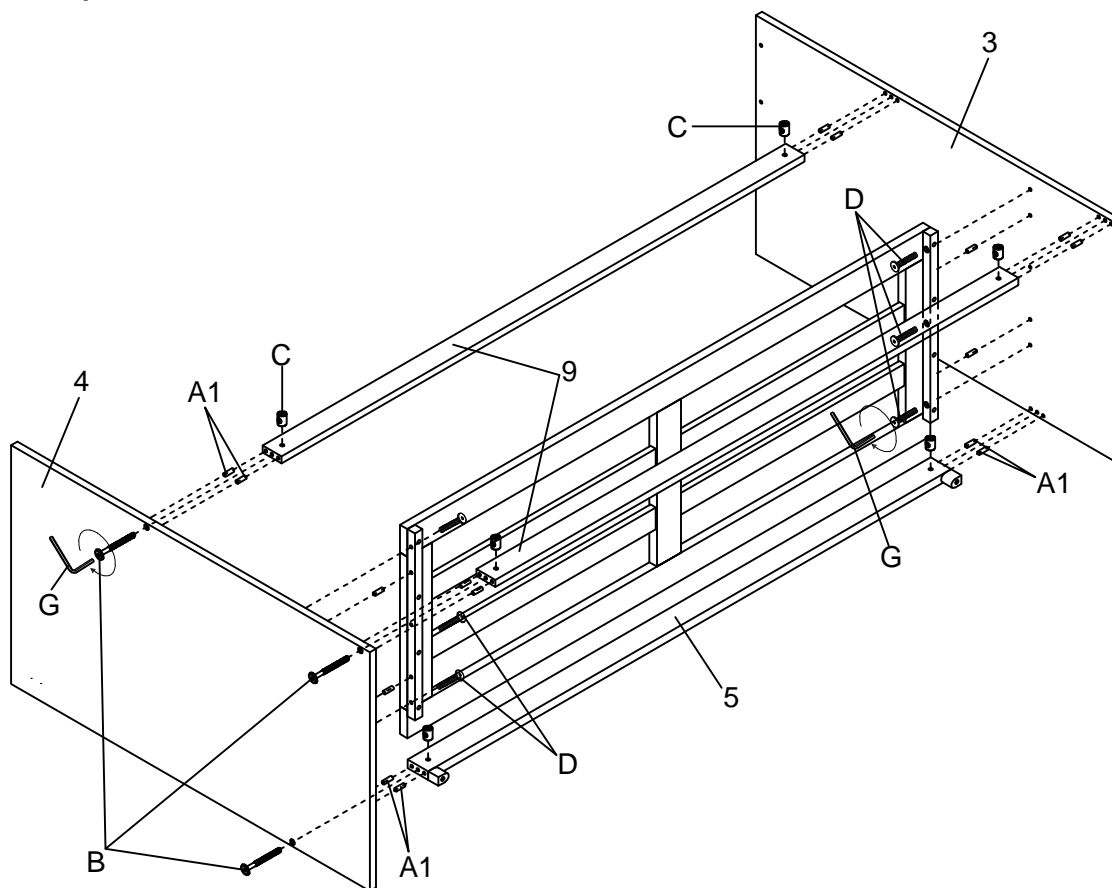
A1  Ø10*30mm Wood dowel (16pcs)	A2  Ø8*20mm Wood dowel (8pcs)	B  Ø1/4*60mm Hex-Head bolt (6pcs)
C  Ø1/4"*9.5*12mm Horizontal-Hole bolt (6pcs)	D  Ø1/4*30mm Hex-Head bolt (24pcs)	E  Ø6*60mm Hex-Head screw (2pcs)
F  Ø6*90mm Hex-Head screw (6pcs)	G  K4mm Allen key (2pcs)	H  Knob (6pcs)
I  M5/32*22mm Bolt (6pcs)	J  Cross Hinge (3pcs)	K  Ø3.5*20mm Wood screws (12pcs)
L  Ø4*35mm Wood screws (16pcs)	M  Ø3.5*15mm Wood screws (80pcs)	N1  Hinge Leaf (8pcs)
N2  Hinge Leaf (4pcs)	O  Ø3.5*15mm Wood screws (58pcs)	P  Ø17,Ø6.5*5mm Plastic Temple (2pcs)
Q1  90 DEGREE HINGES WITH LOCK (1pc)	Q2  90 DEGREE HINGES DO NOT LOCK (1pc)	R  Ø15*280mm Ty Slightly (2pcs)
S  Drawer Wheels (4pcs)	T  Ø3*10mm Wood screws (8pcs)	U  Duckle Lock (2pcs)
V  Ø4*25mm Wood screws (8pcs)	W  Ø4*50mm Wood screws (4pcs)	X  Ø9.5*10mm Plastic Canopy (4pcs)
34  Wood (2pcs)		




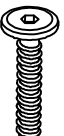
Step 1



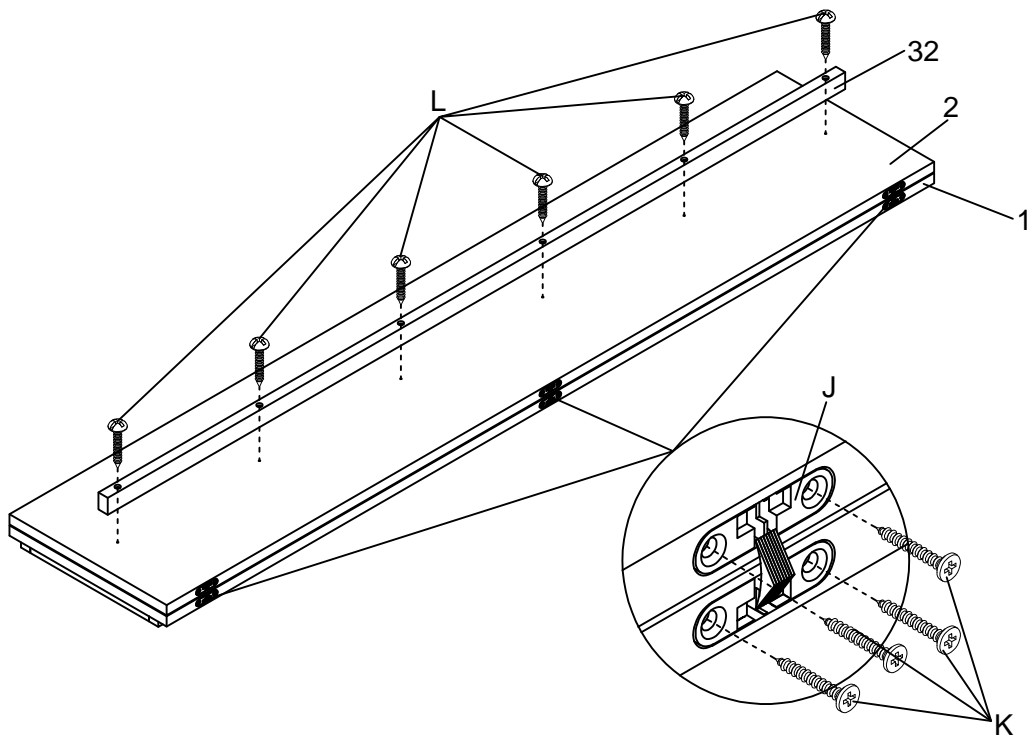
L	N2
	
10PCS	4PCS
M	
	
12PCS	




Step 2



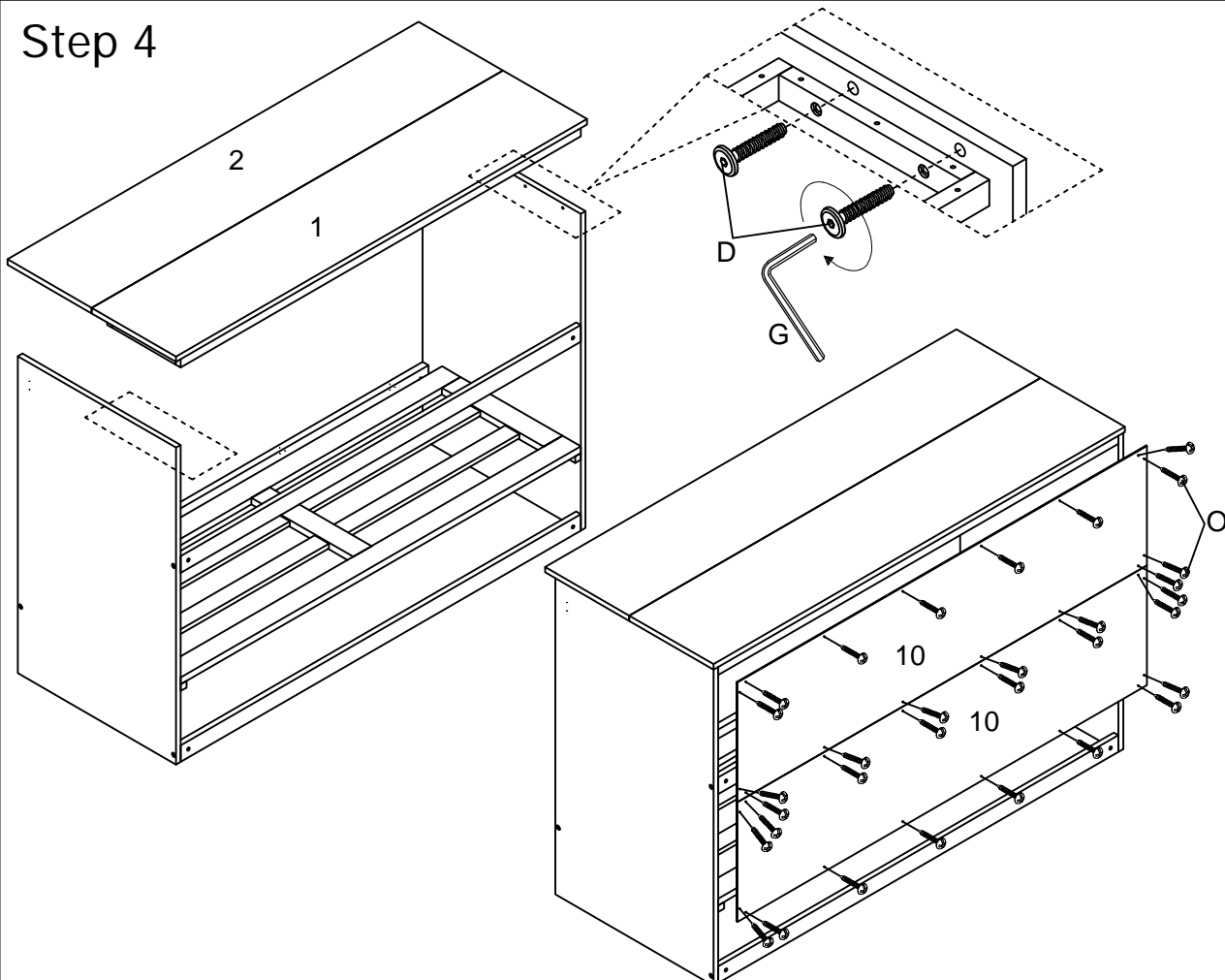
A1	B
	
16PCS	6PCS
C	
	
6PCS	
D	
	
6PCS	

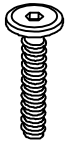

Step 3



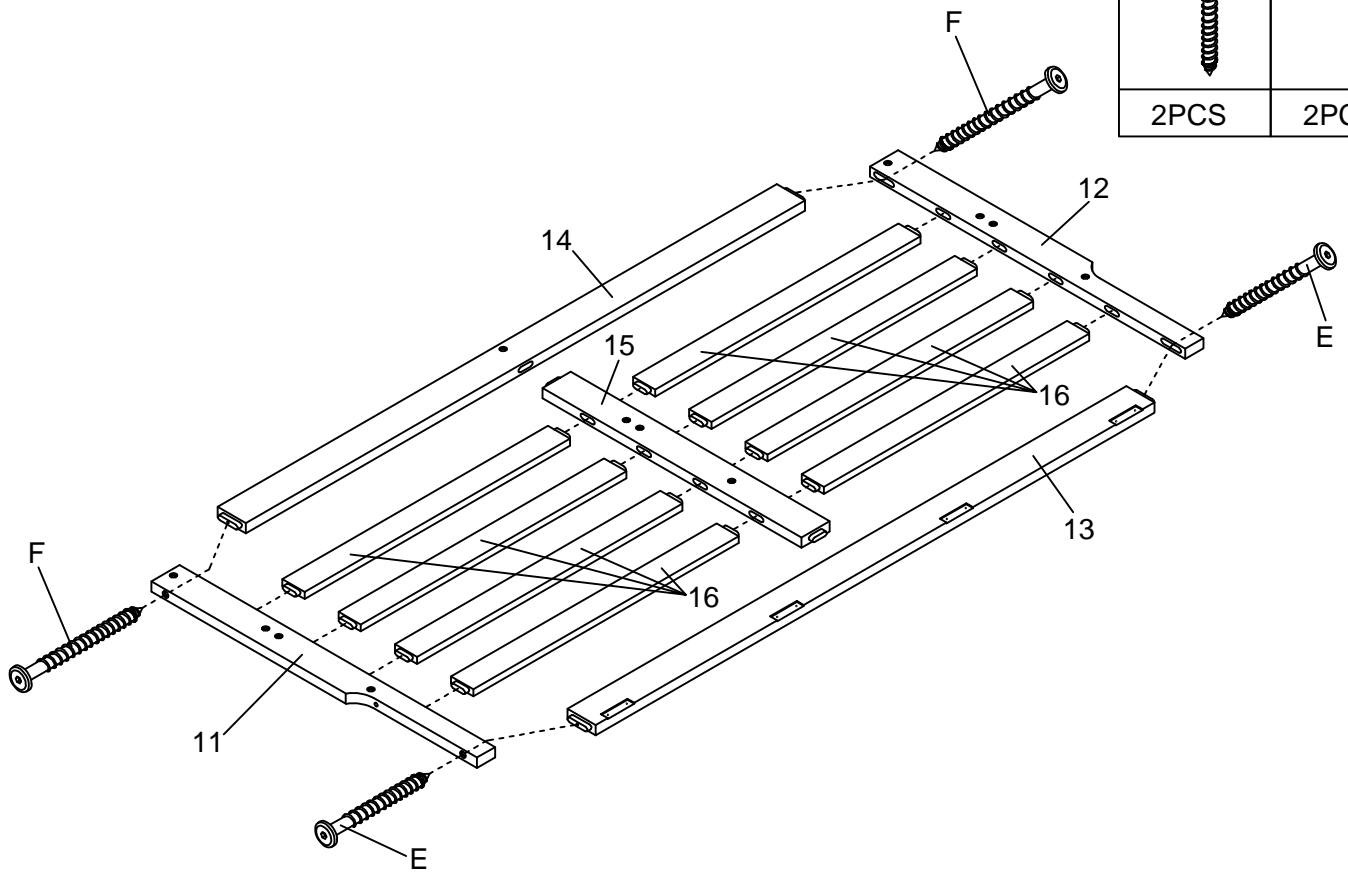
J	K
	
3PCS	12PCS
L	
	
6PCS	



Step 4



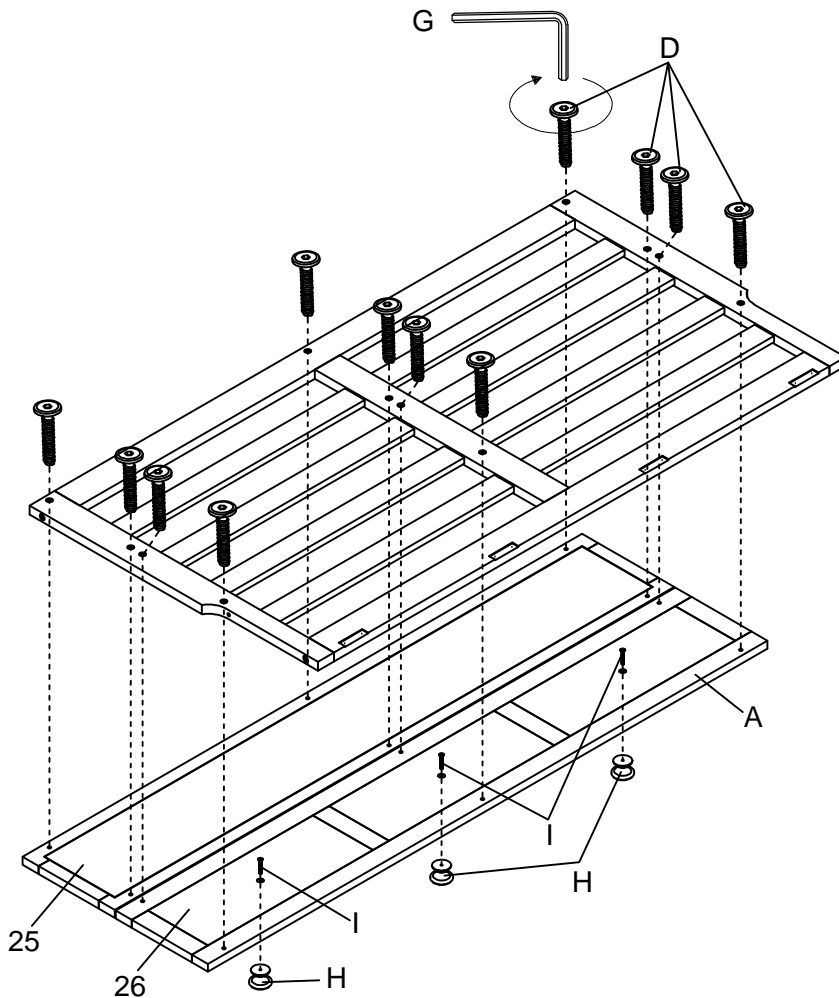
D

4PCS
O

32PCS

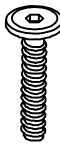

Step 5




E	F
	
2PCS	2PCS

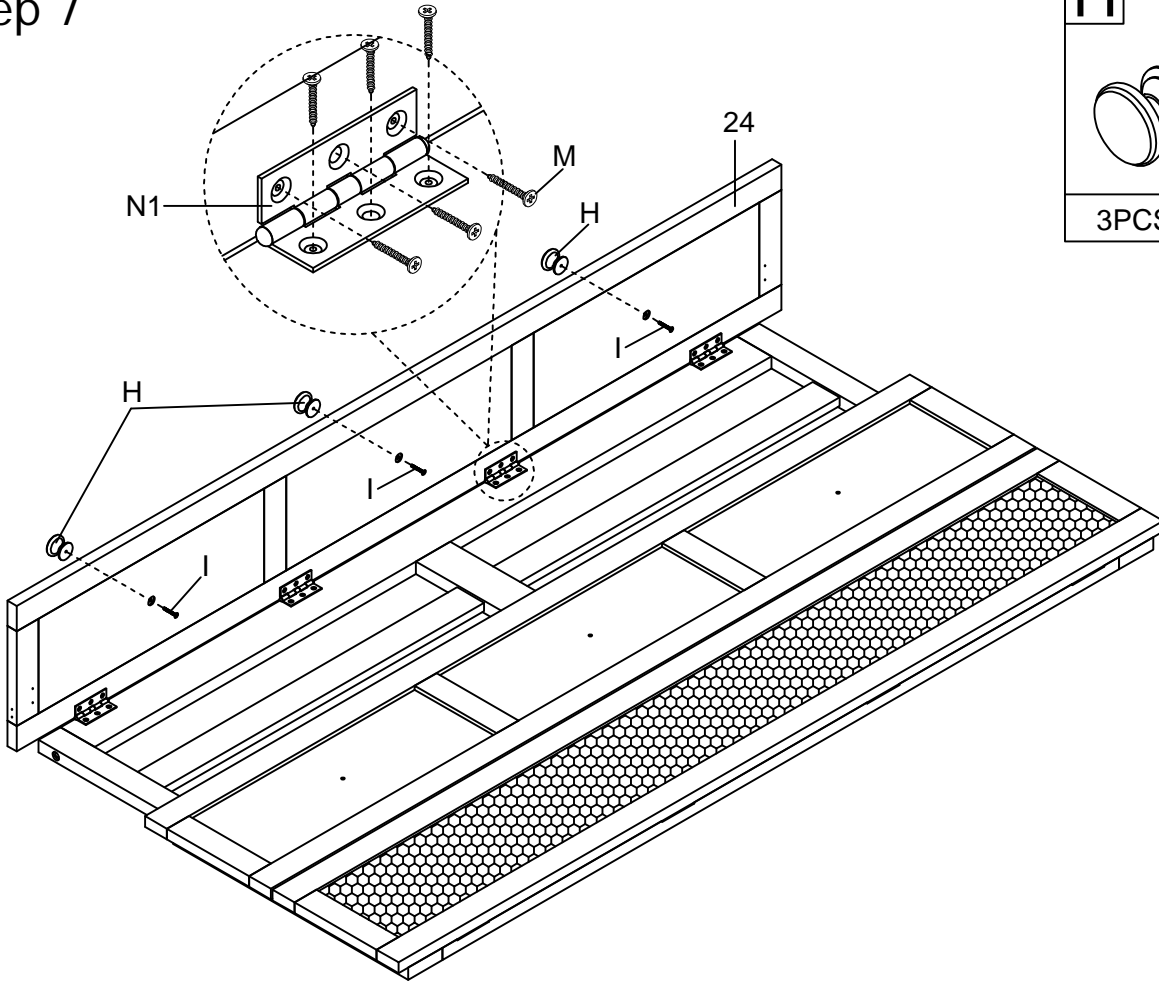
Step 6



D	H
	
12PCS	3PCS

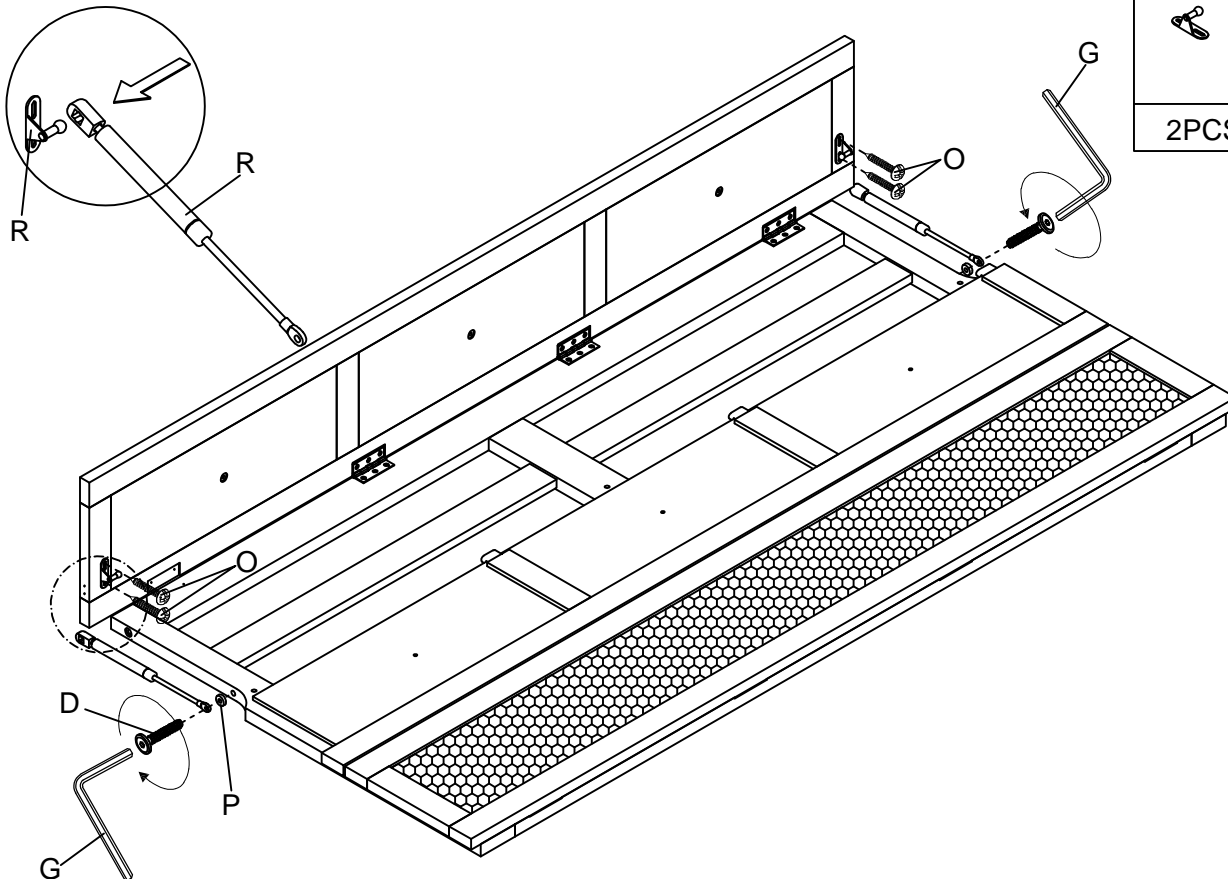
I

3PCS

Step 7



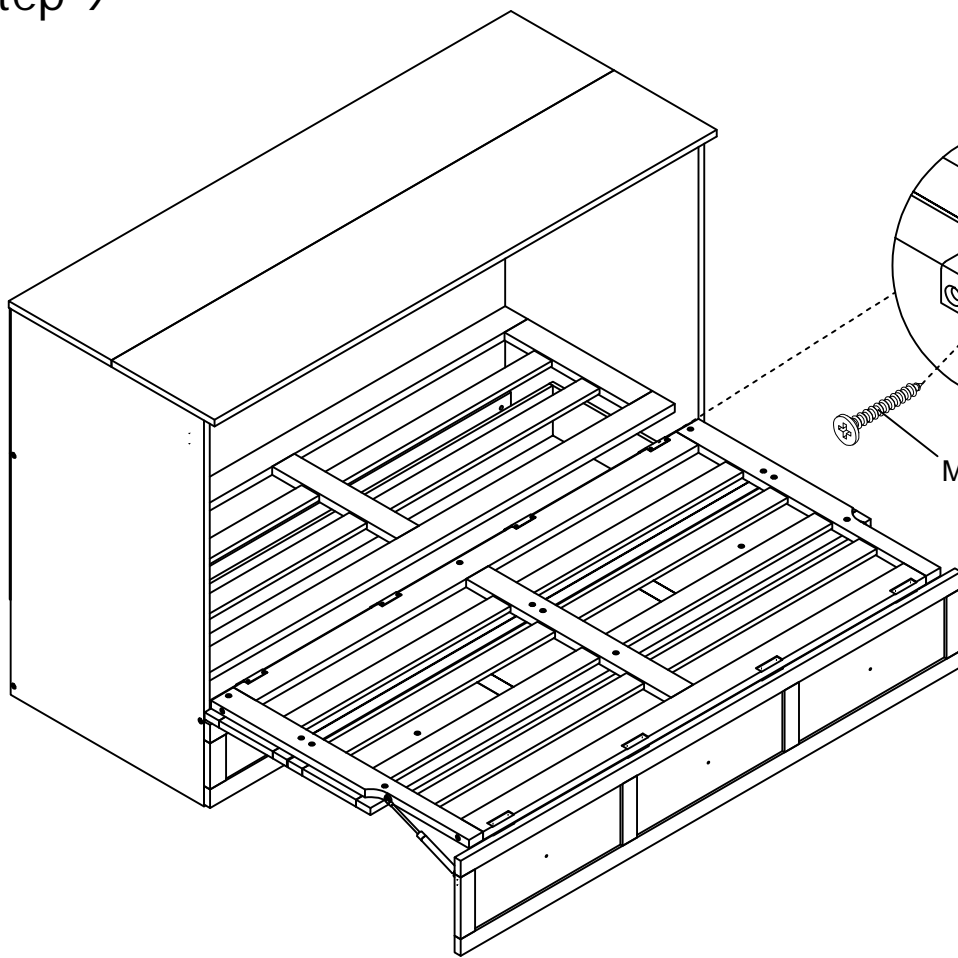
H		I	
	3PCS		3PCS
N1			
4PCS			
M			
24PCS			

Step 8

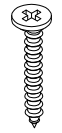


R		P	
	2PCS		2PCS
D			
2PCS			
O			
4PCS			

Step 9

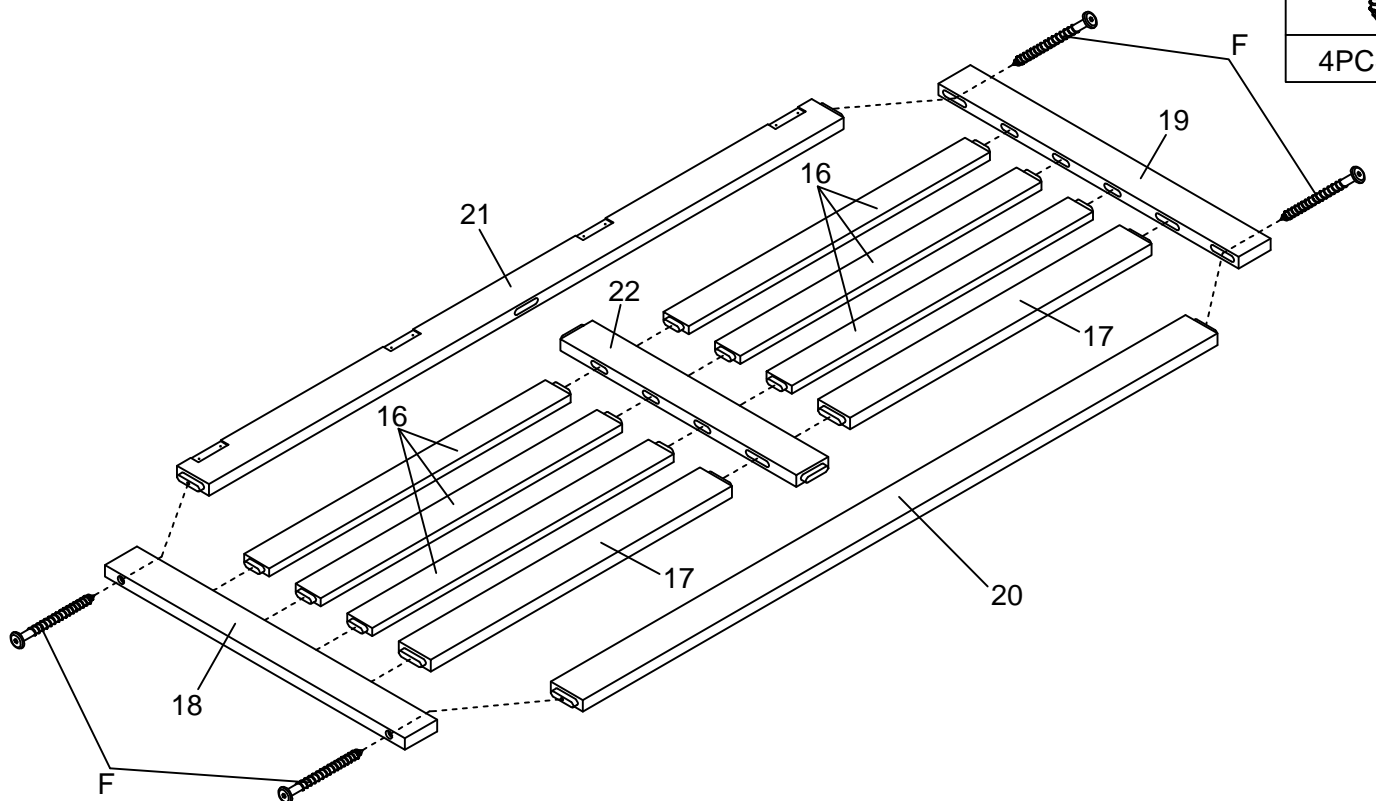


M



12PCS

Step 10

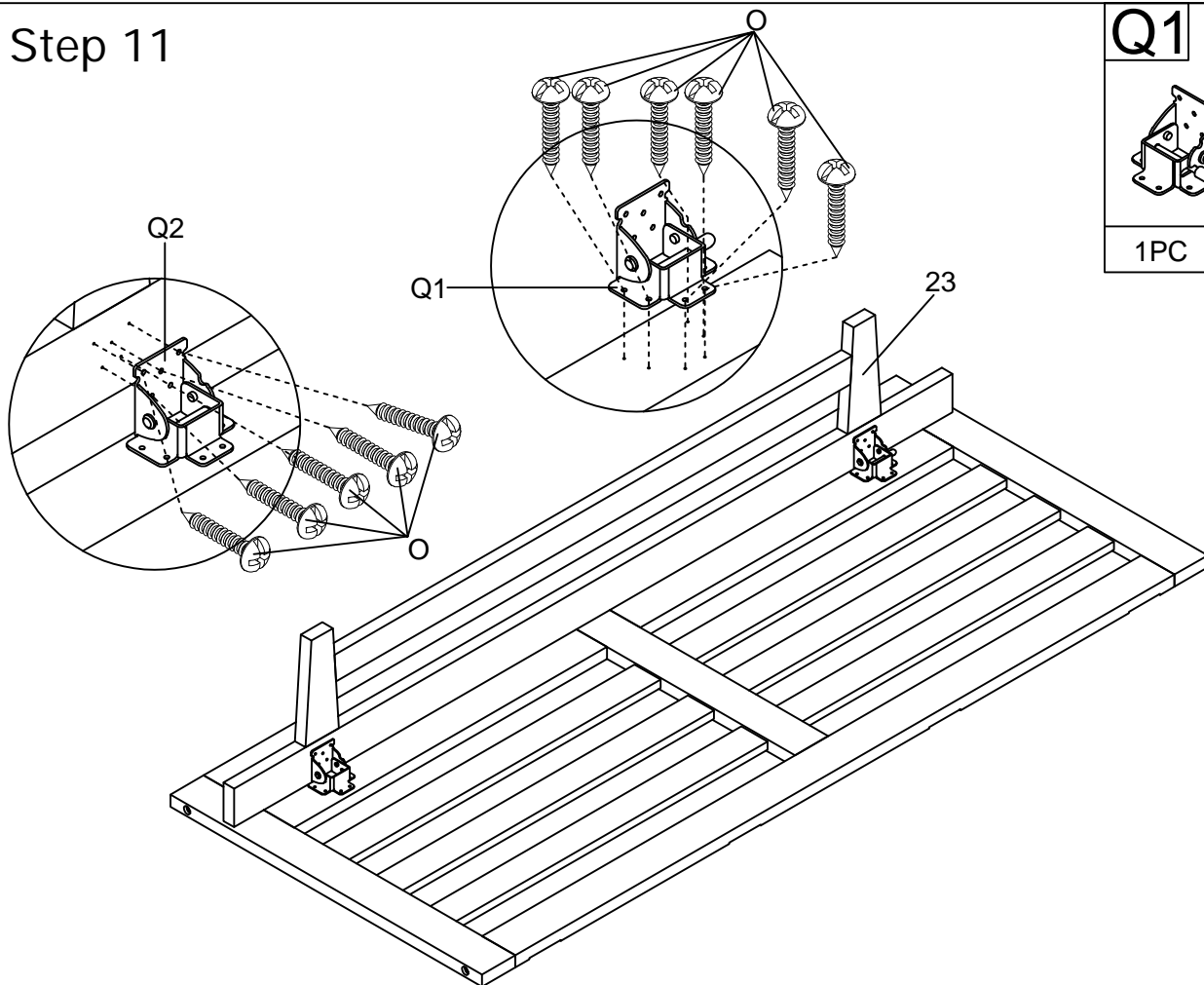


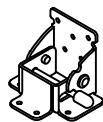


F



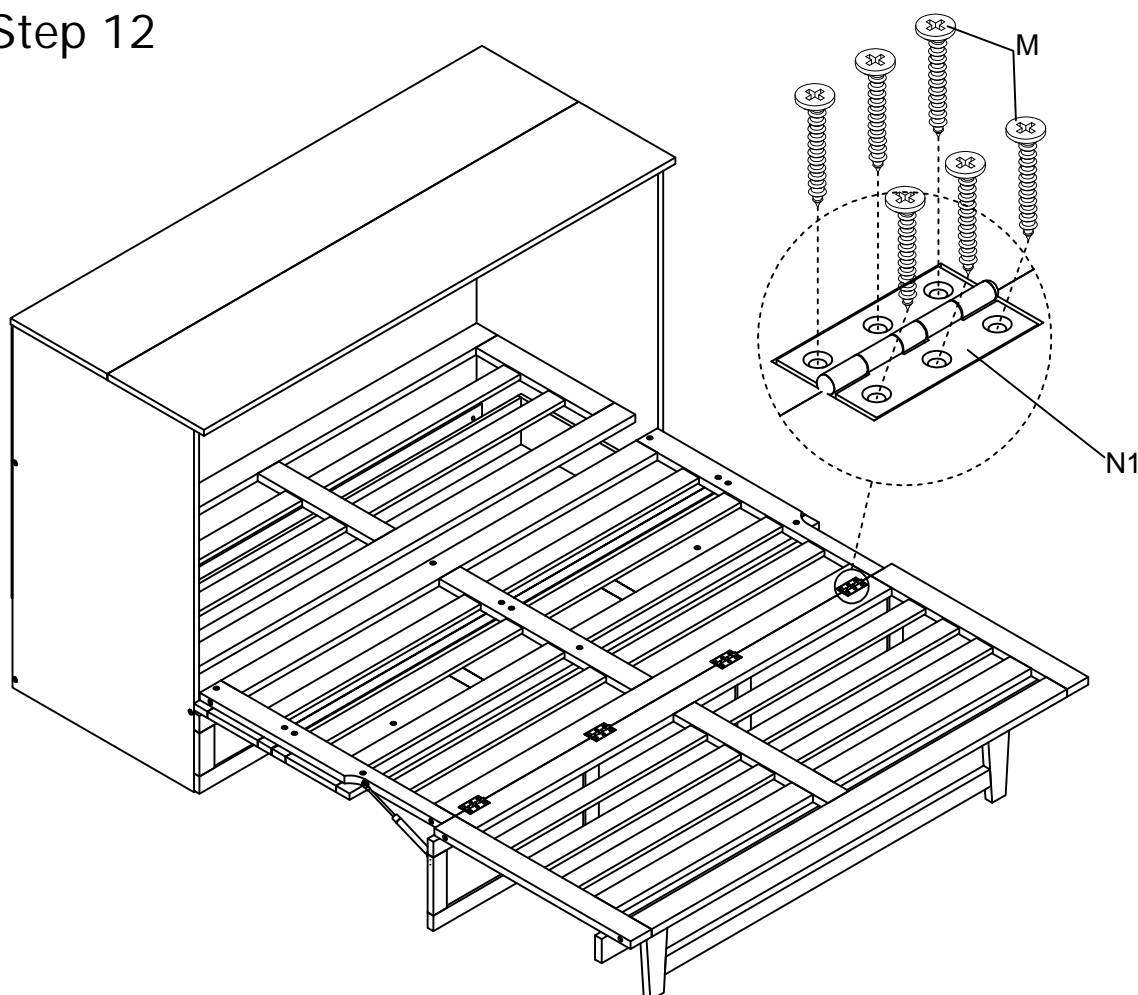
4PCS

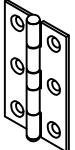

Step 11



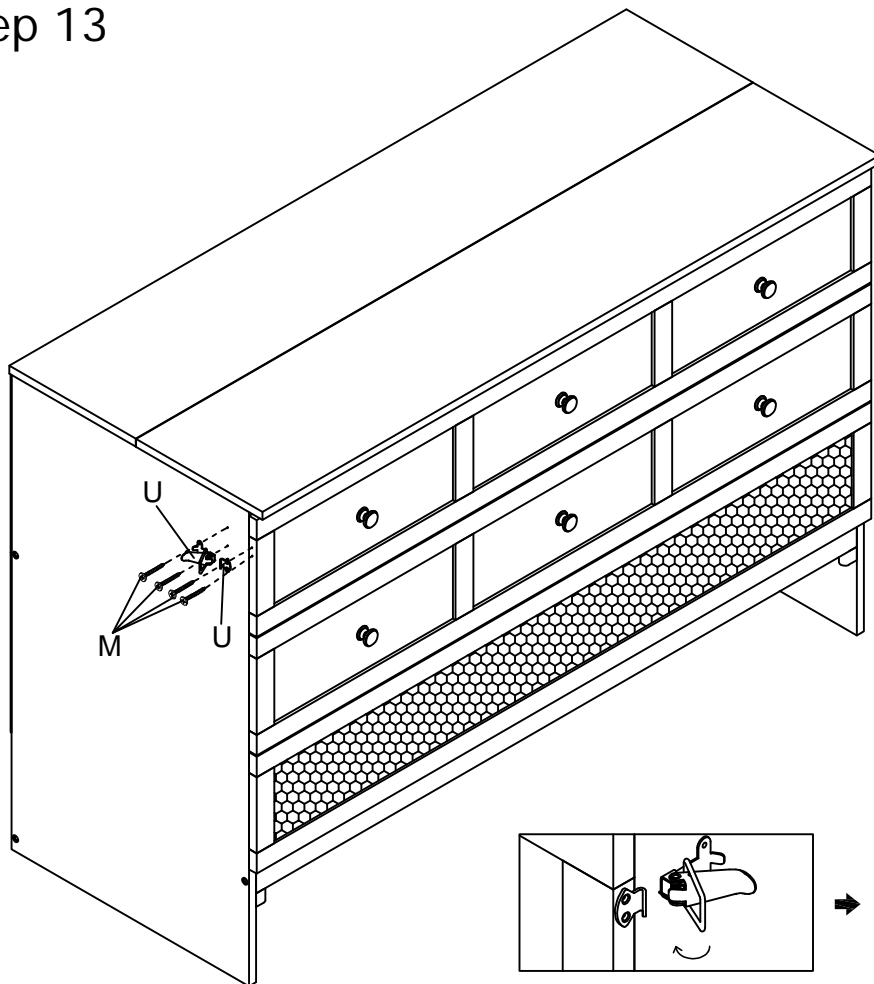
Q1	Q2
	
1PC	1PC
O	
	
22PCS	

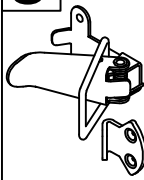

Step 12

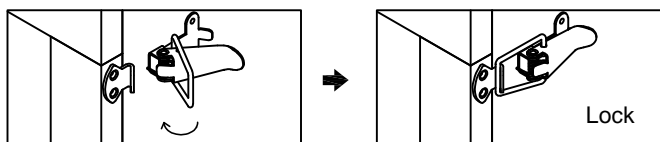


N1

4PCS
M

24PCS

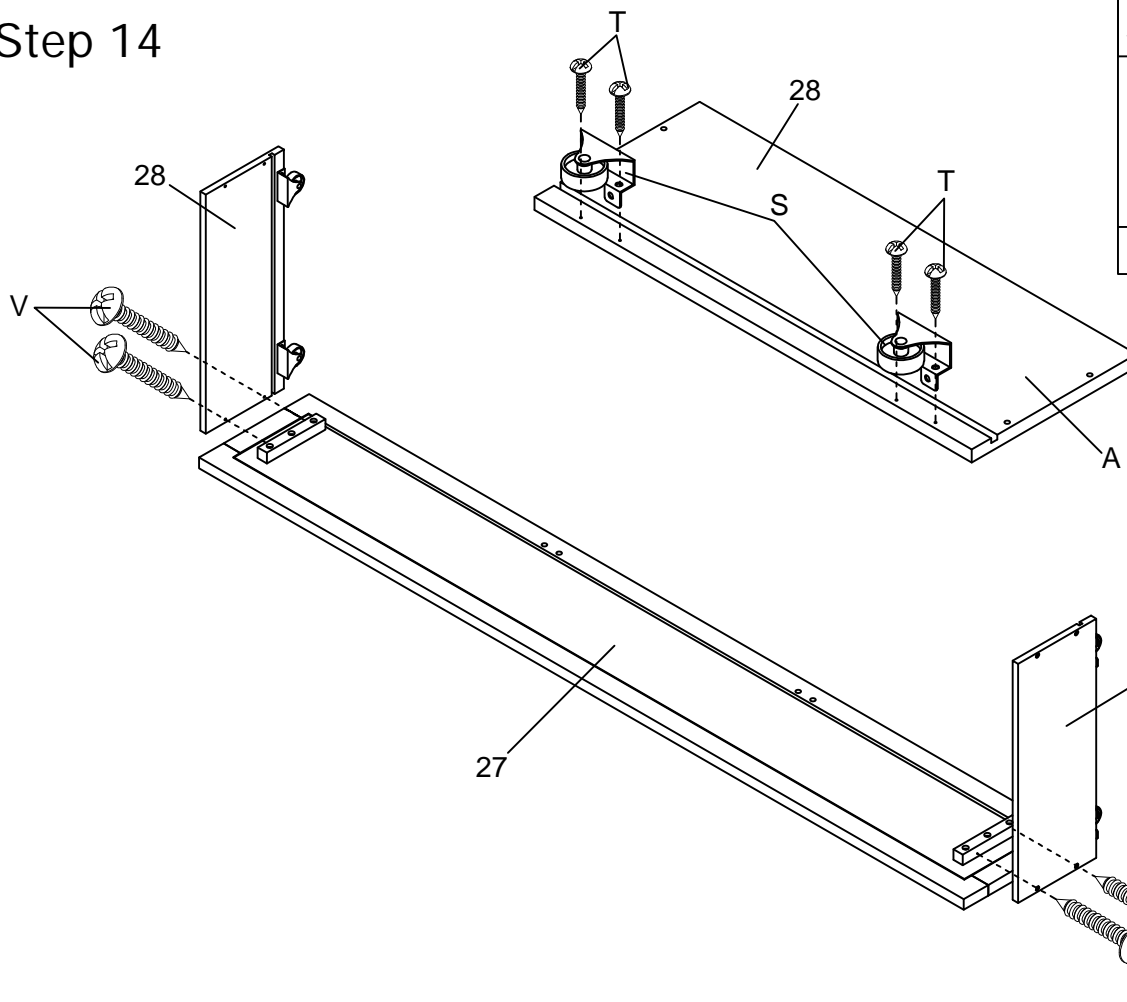
Step 13

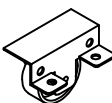
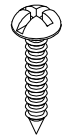



U	M
	
2PCS	8PCS



Step 14



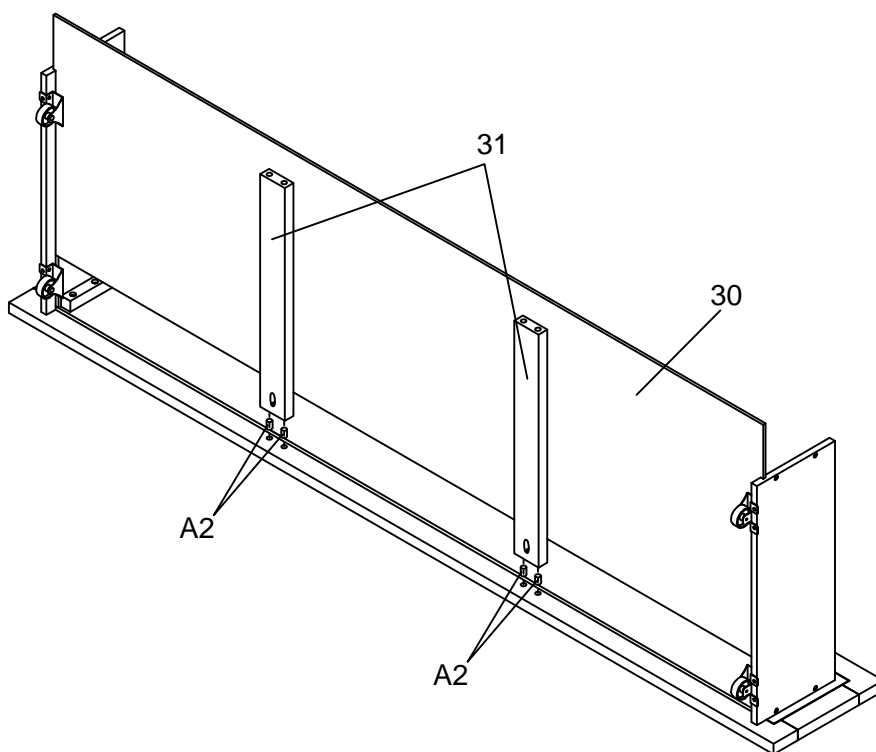
S	T
	
4PCS	8PCS
	V
	
	4PCS

Step 15

A2



4PCS



Step 16

A2

X



4PCS

4PCS

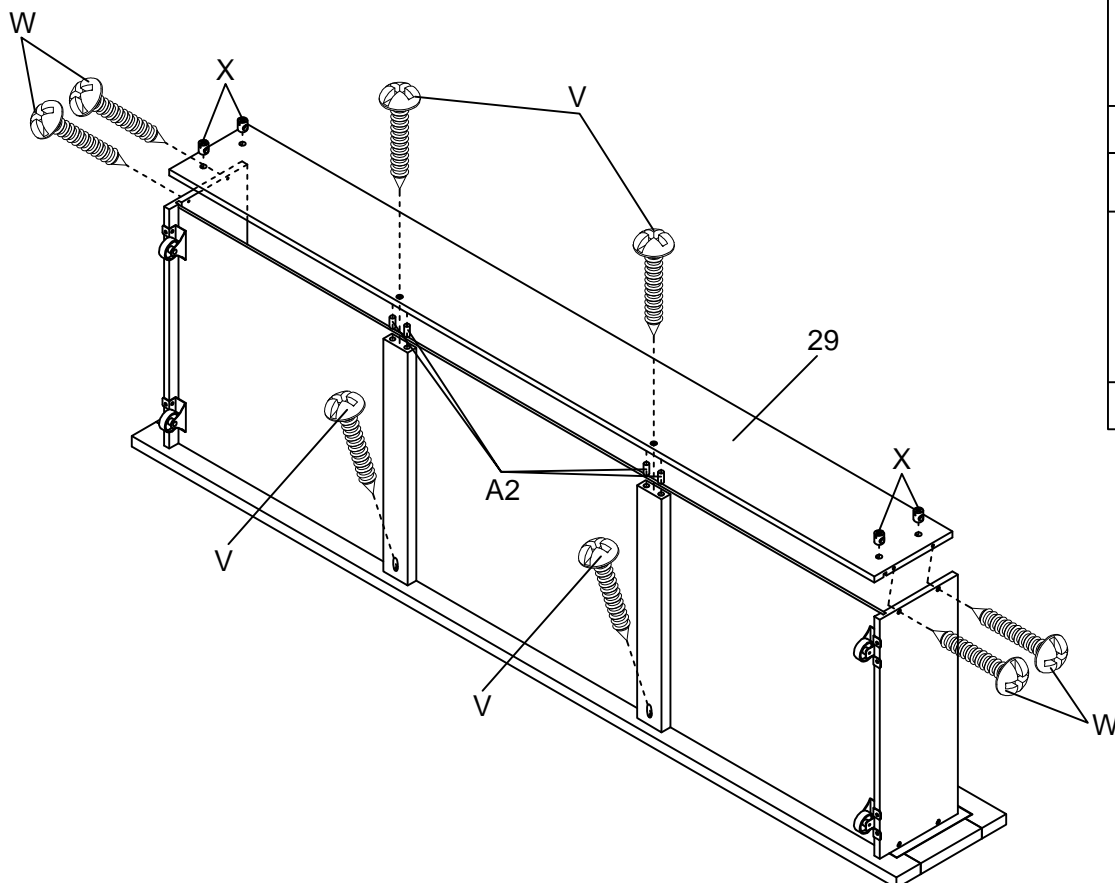
V

W

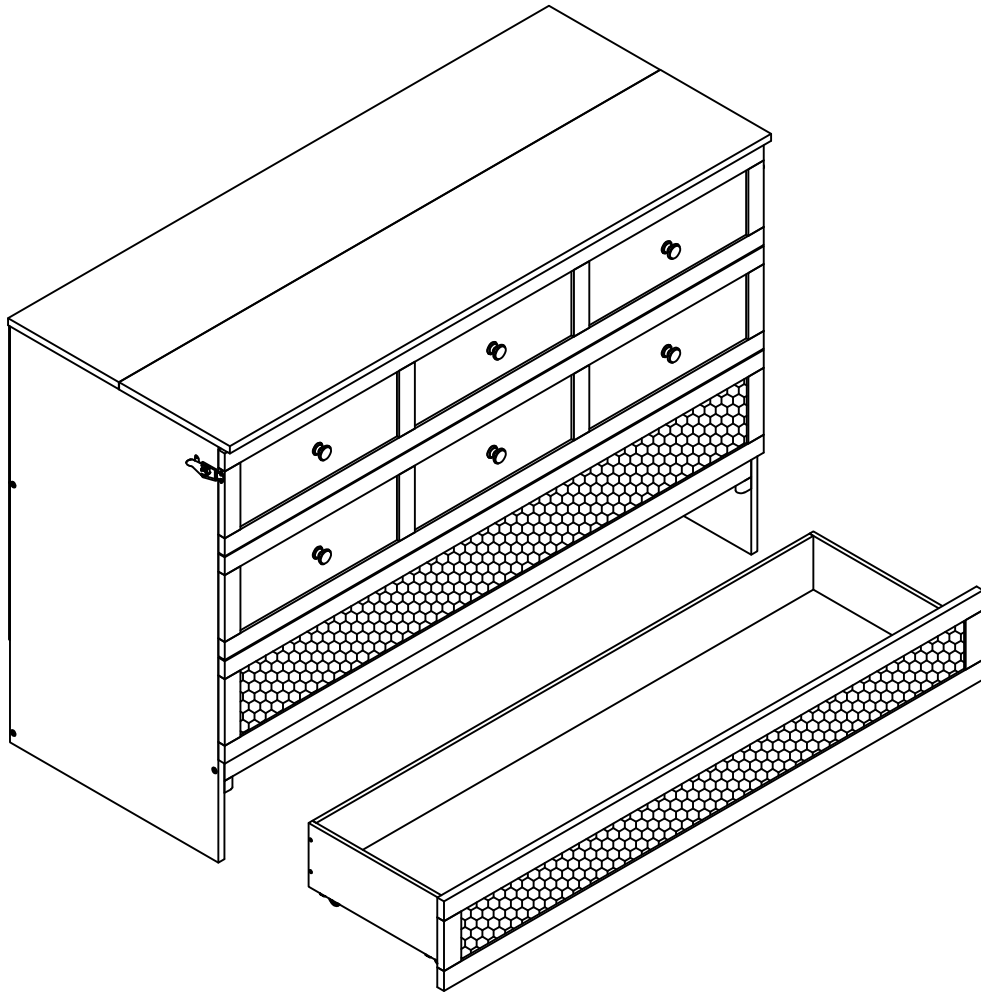


4PCS

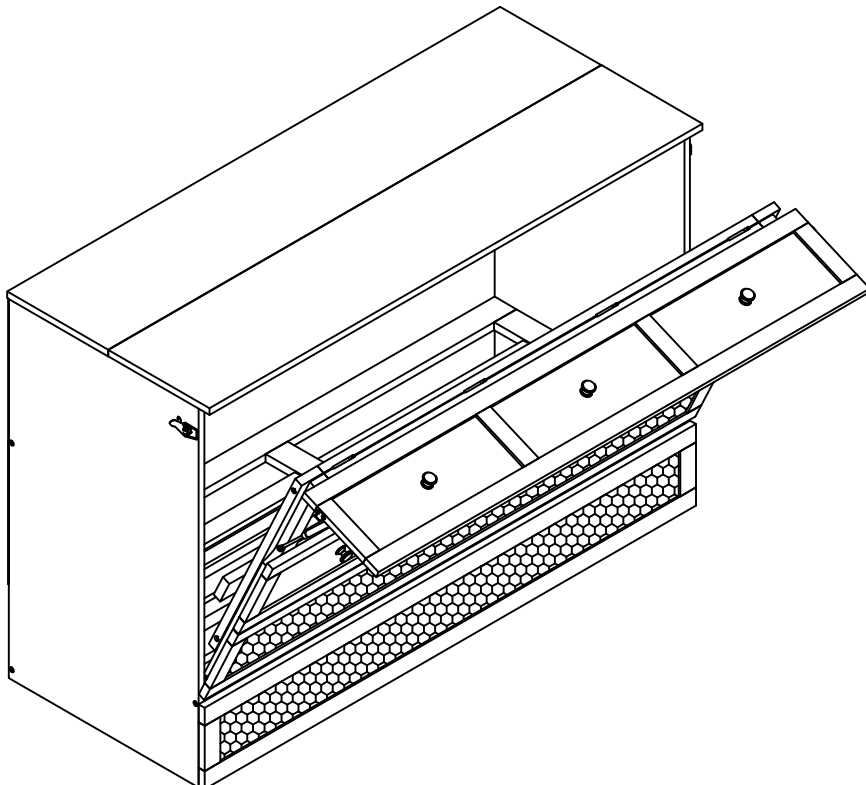
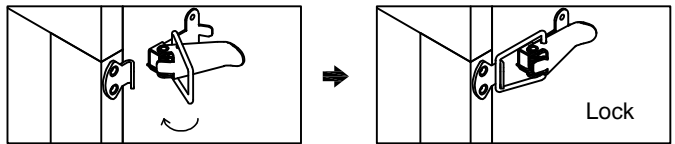
4PCS



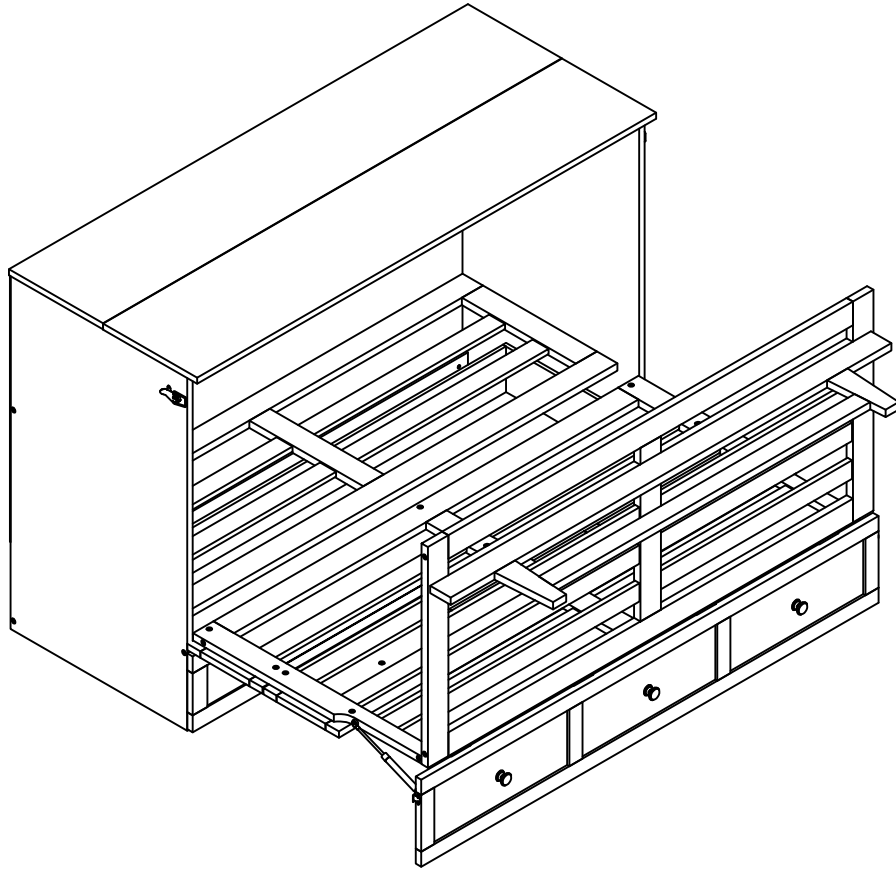
Step 17



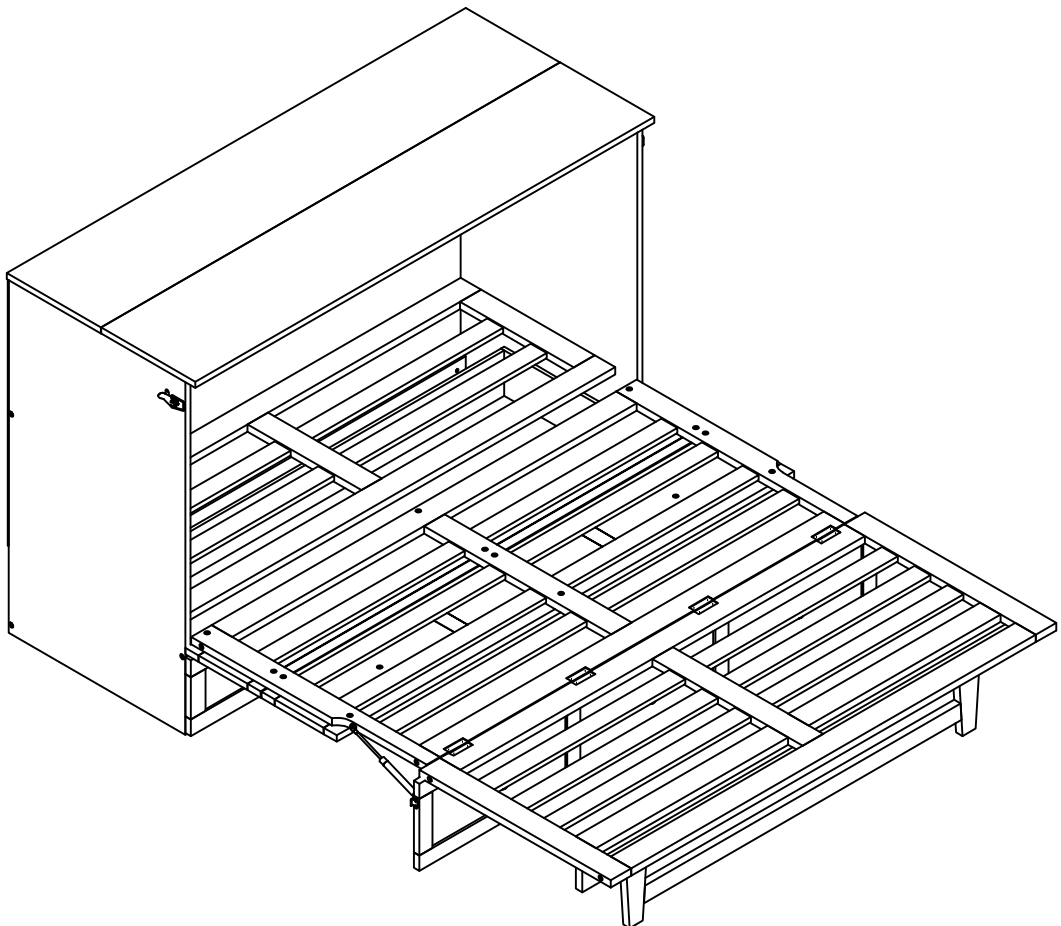
Step 18



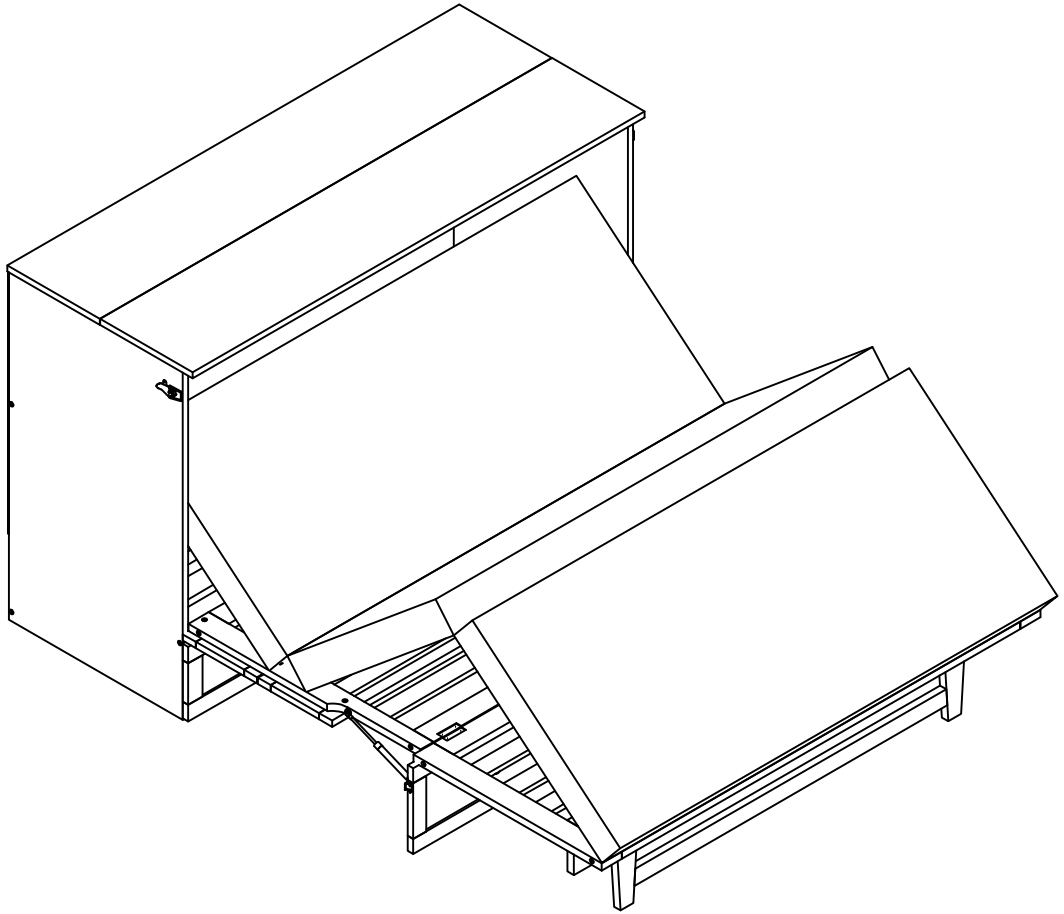
Step 19



Step 20



Step 21



Step 22

