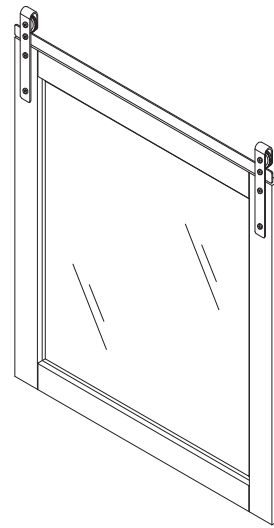


1. Do not touch the mirror with wet hands or wipe the mirror with a damp cloth to avoid increasing the moisture pouring in;
2. Keep the mirror away from salt, grease and acid, which can corrode the mirror;
3. The mirror should be wiped with soft dry cloth or cotton to prevent the mirror from being scratched or damaged;
4. Do not use acidic liquids to wipe mirror surfaces and frames;
5. Before bath, soap can be daubed mirror, then wipe with dry cloth, the mirror on the formation of a soap liquid film, can prevent mirror blur;
6. Dip in a dry cloth with proper amount of detergent and evenly wipe the mirror surface;
7. Use paper towel to wipe.



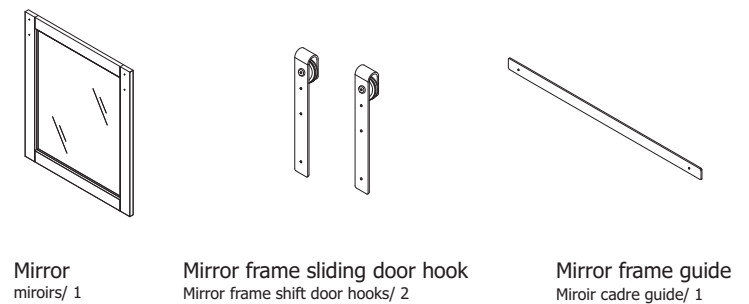
## Mounting Tools



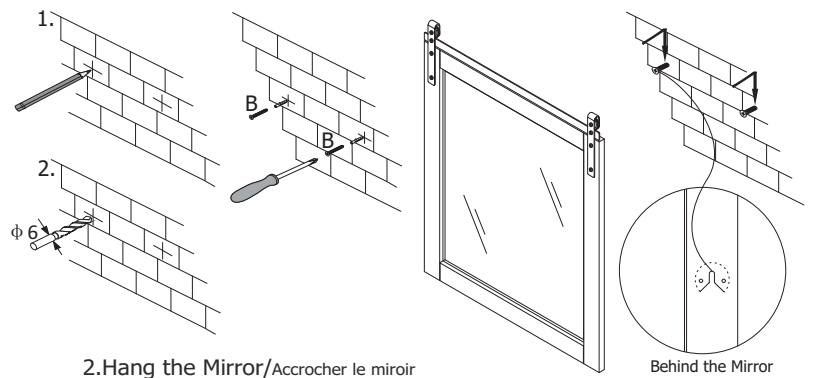
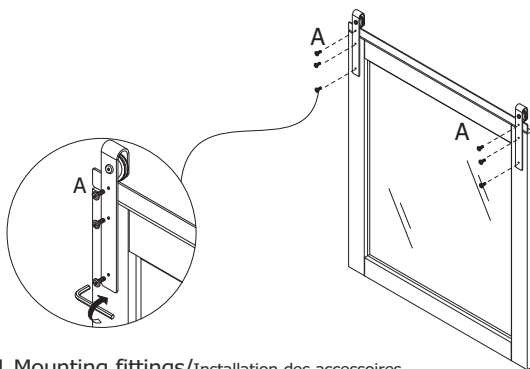
## Mounting screw/Vis pour montage

A M4x25 Hexagon socket screws/ Vis à six pans creux	6 pcs	
B Wall screw/Vis murale pour accrocher	2 pcs	
* Allen Wrench/Clé hexagonale interne	1 pcs	

## Install parts



## Installation steps



## Dimensions

