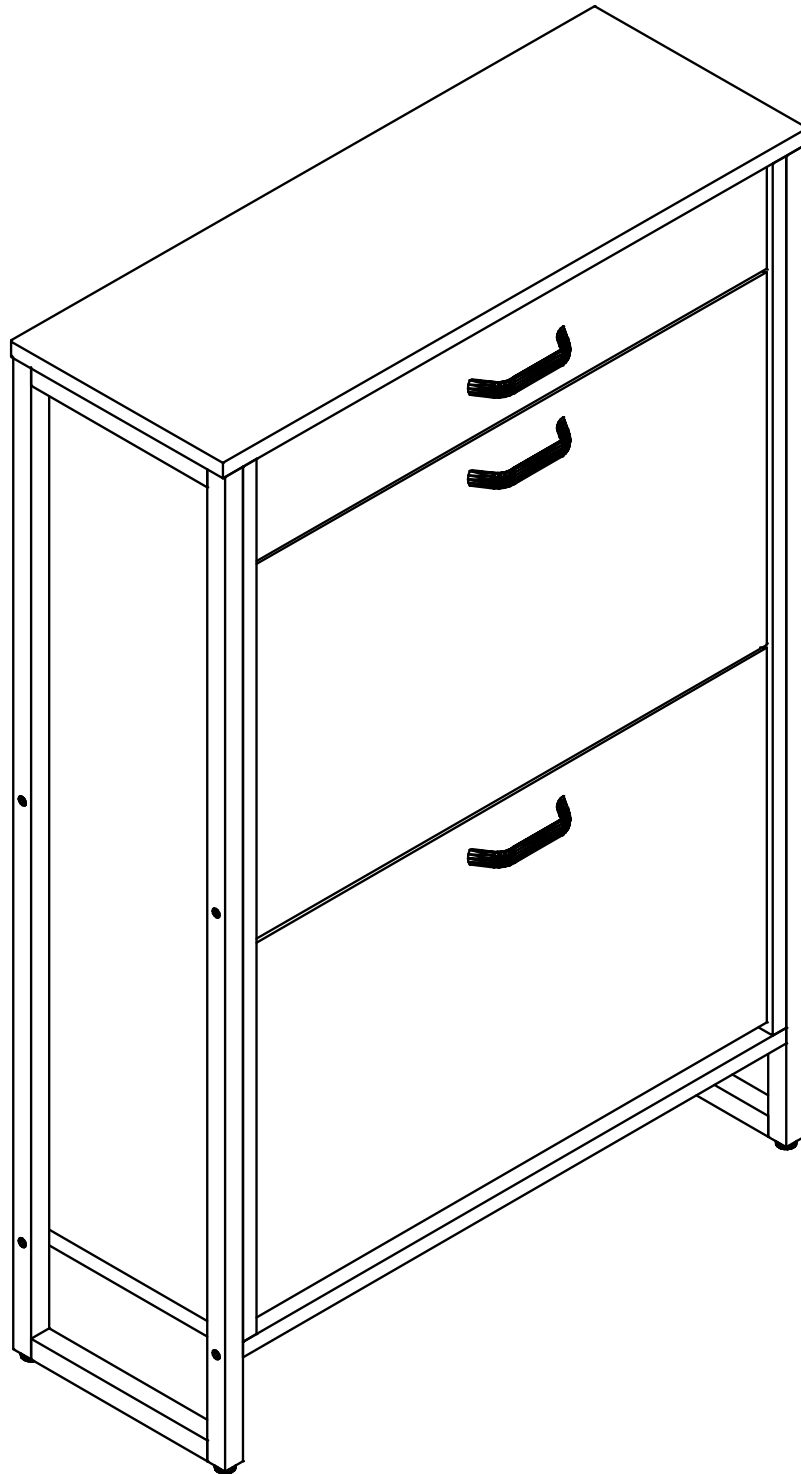
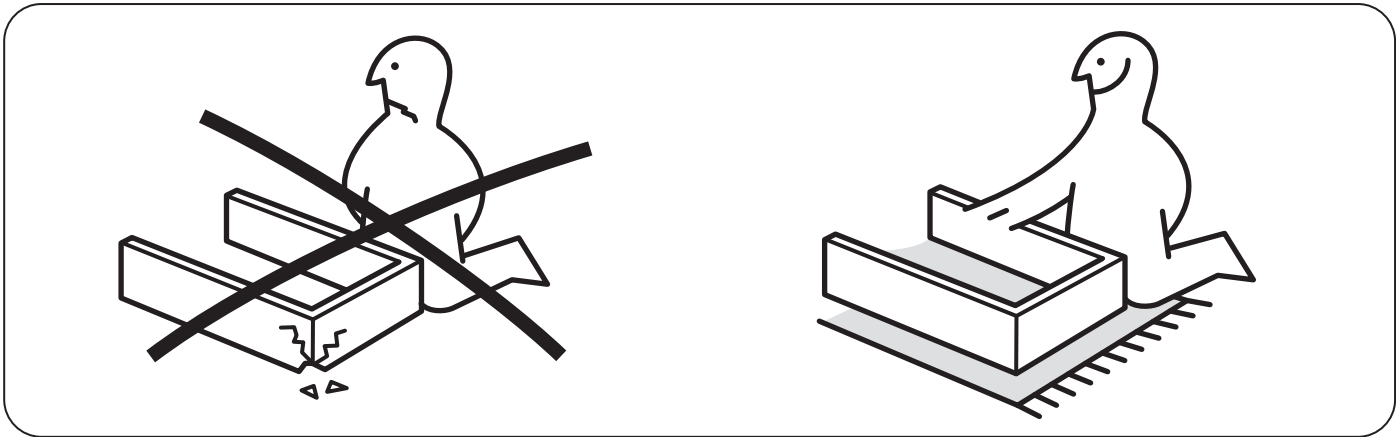
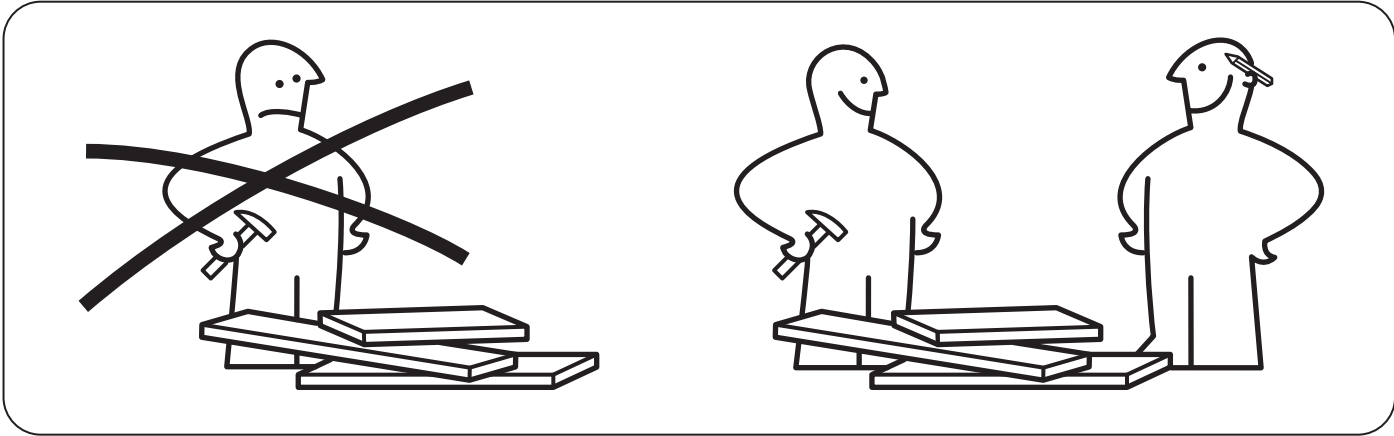


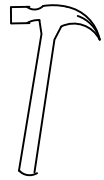
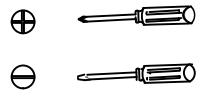
Installation & Assembly



Thanks for purchasing one of our products, please carefully read the assembly instructions before installation (Attention: Do not tighten the screws before all screws are in place).

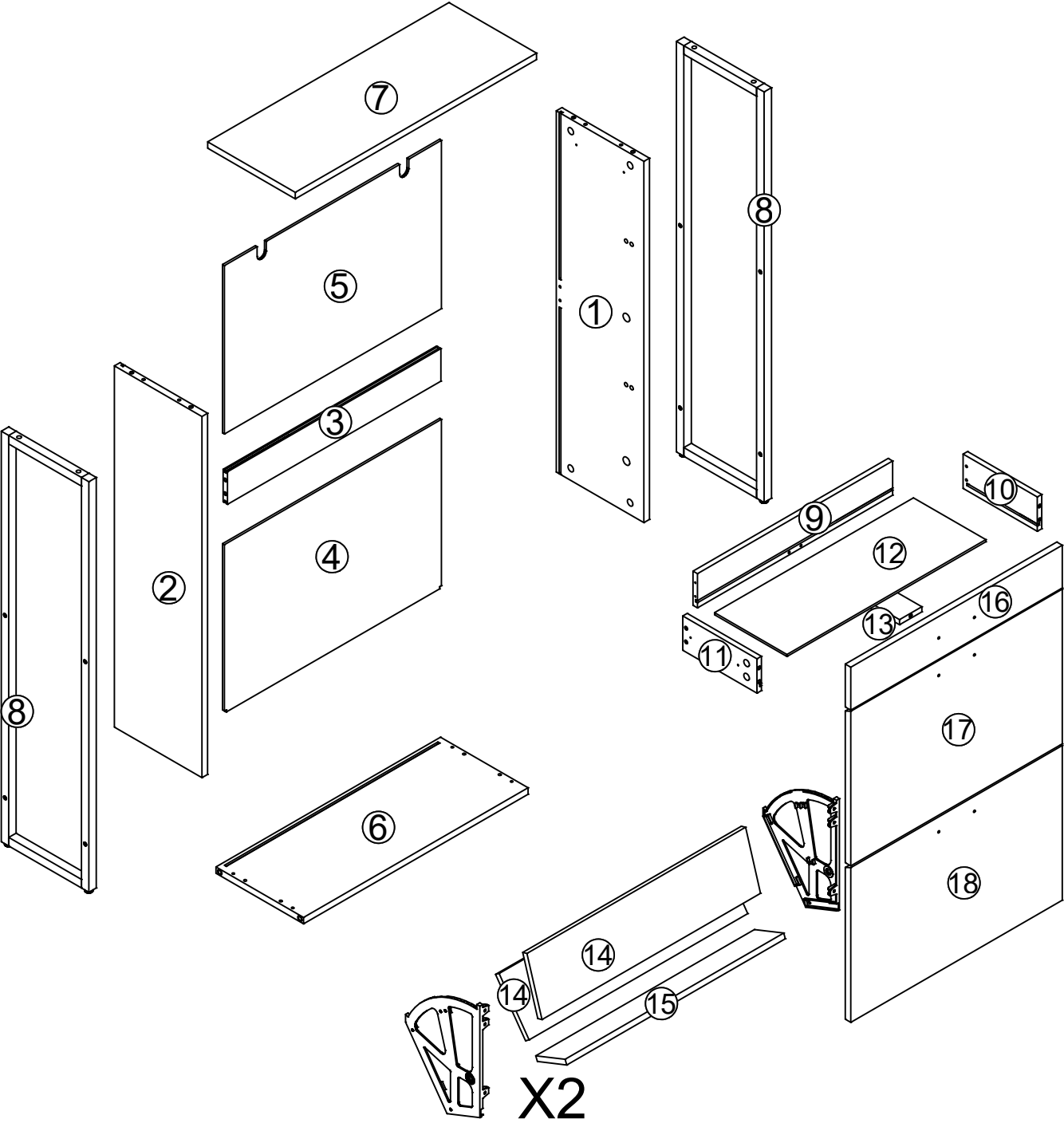


(Tools not provided)
 Flat Blade Screwdriver
 Phillips Head Screwdriver
 Wooden Hammer


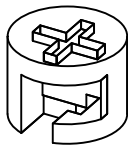




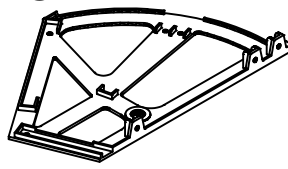
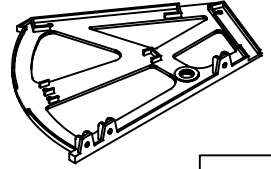






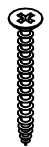
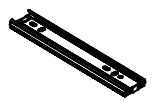

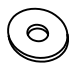



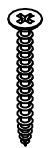


To Assemble the Unit
 Wooden Hammer

PAGE 1
Exploded View

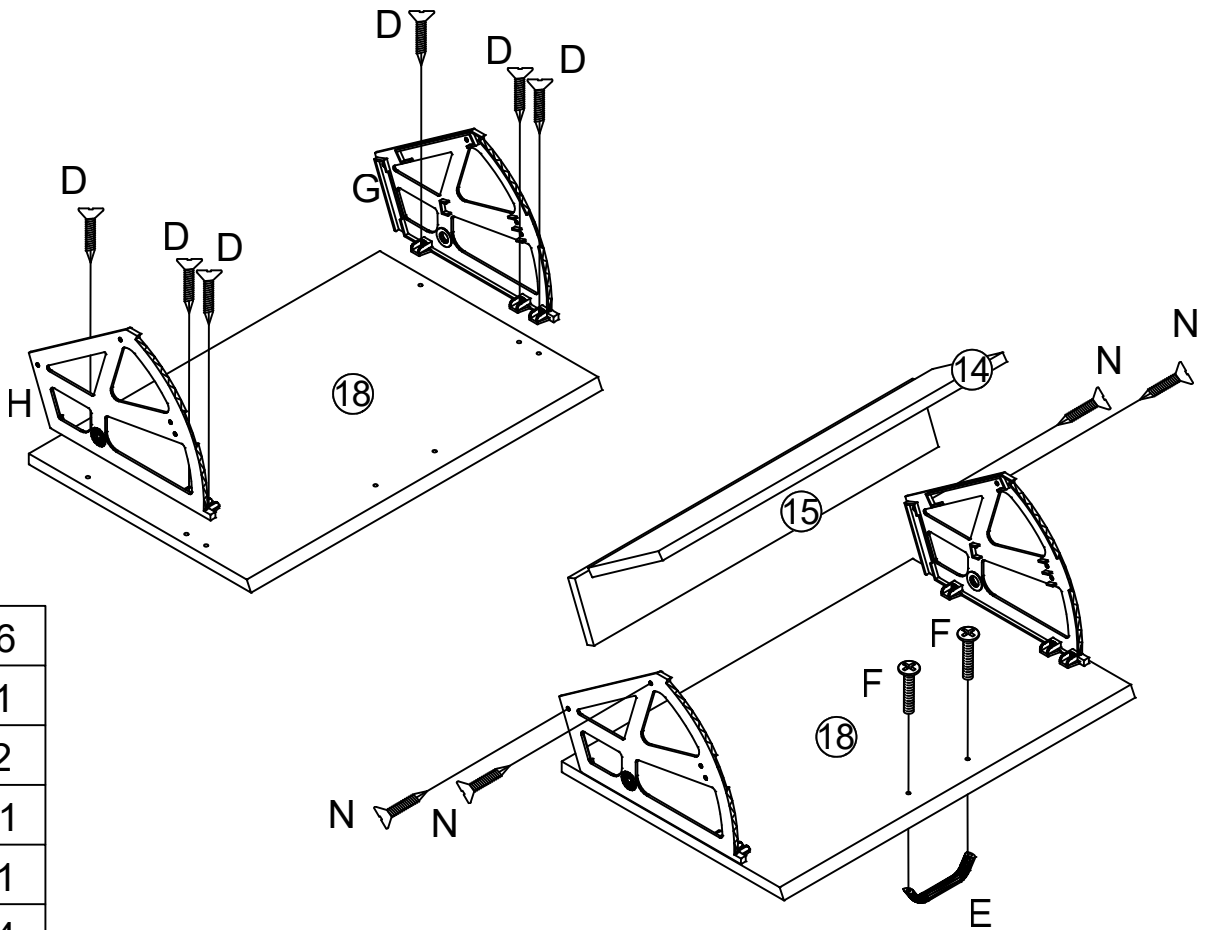








PAGE 2
will require these parts

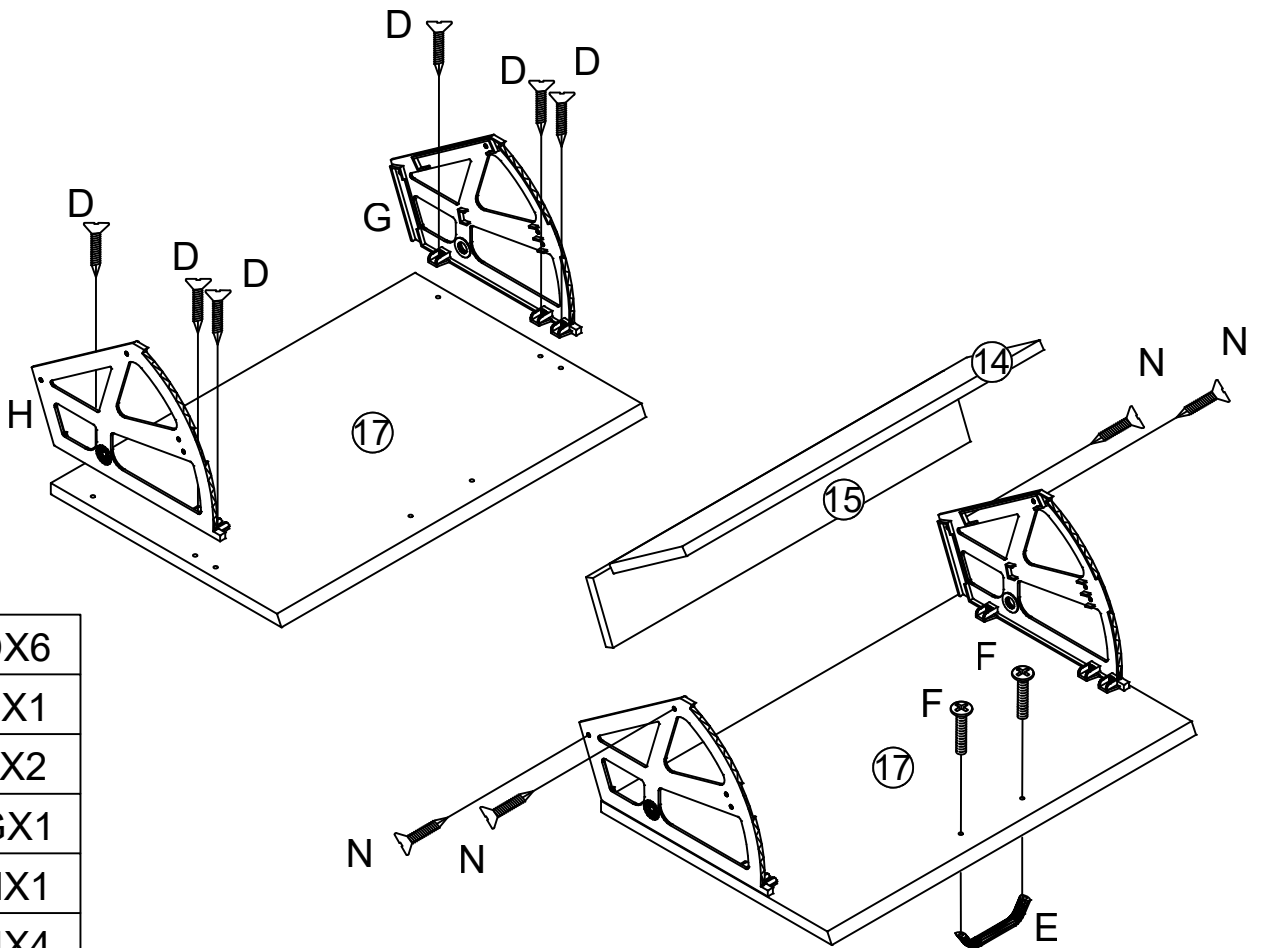
<p>A</p>  <p>17+1PCS</p>	<p>B</p>  <p>17+1PCS</p>	<p>C</p>  <p>M6X30MM</p> <p>8+2PCS</p>	<p>D</p>  <p>M3.5X16M</p> <p>12+2PCS</p>
<p>E</p>  <p>3PCS</p>	<p>F</p>  <p>6+1PCS</p>	<p>G</p>  <p>2PCS</p>	<p>H</p>  <p>2PCS</p>
<p>I</p>  <p>M6X30M</p> <p>12+1PCS</p>	<p>J</p>  <p>M4X16M</p> <p>4+1PCS</p>	<p>K</p>  <p>4PCS</p>	<p>L</p>  <p>4PCS</p>
<p>M</p>  <p>4PCS</p>	<p>N</p>  <p>M3X10M</p> <p>12+2PCS</p>	<p>O</p>  <p>M3.5X30M</p> <p>6+1PCS</p>	<p>P</p>  <p>2PCS</p>
<p>Q</p>  <p>M3.5X12M</p> <p>8+2PCS</p>	<p>R</p>  <p>4PCS</p>	<p>S</p>  <p>2PCS</p>	<p>T</p>  <p>M3.5X14M</p> <p>2PCS</p>
<p>U</p>  <p>2PCS</p>	<p>V</p>  <p>M3.5X25M</p> <p>2PCS</p>		







will require these parts

STEP1



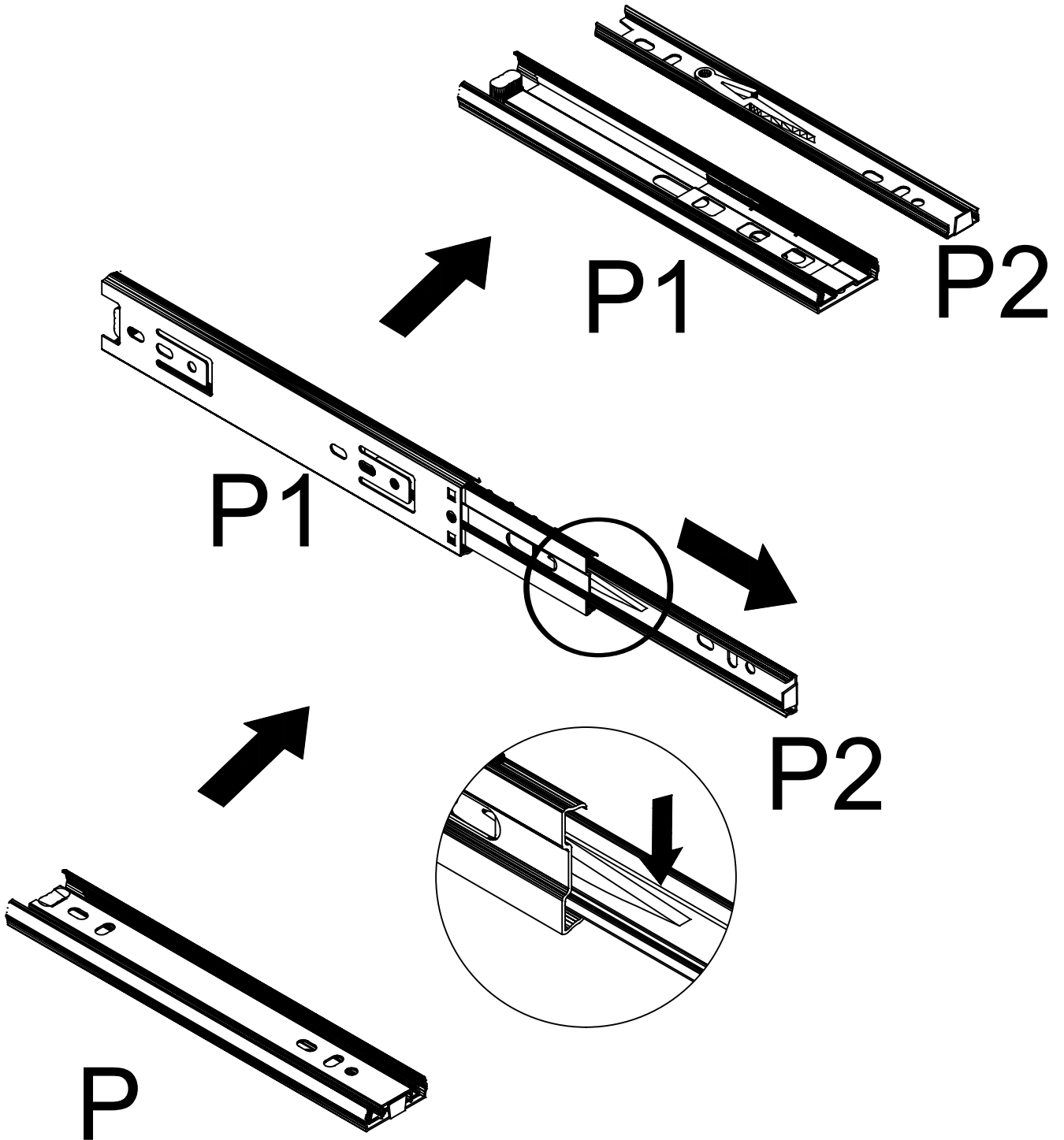
	DX6
	EX1
	FX2
	GX1
	HX1
	NX4



	DX6
	EX1
	FX2
	GX1
	HX1
	NX4

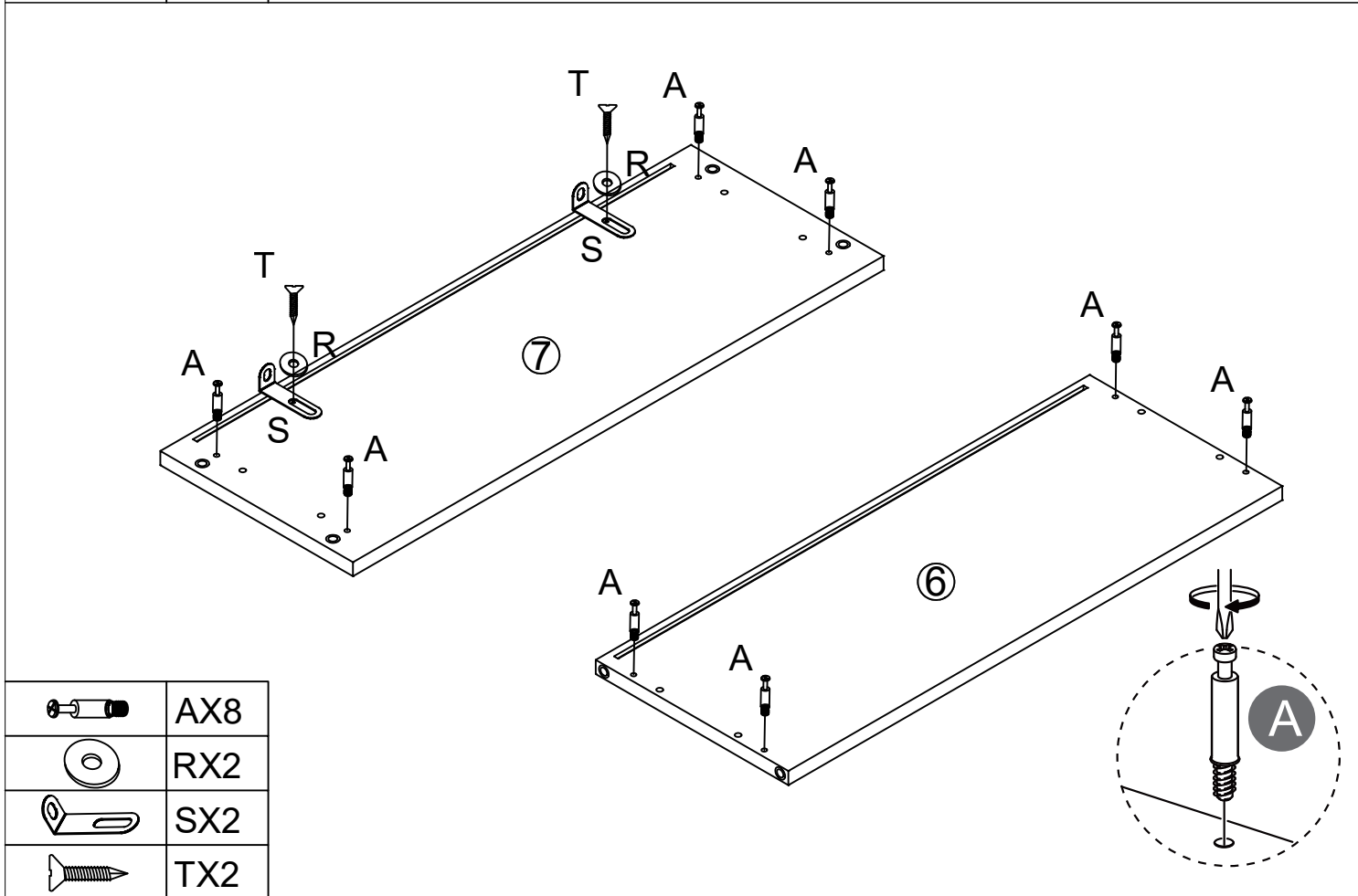
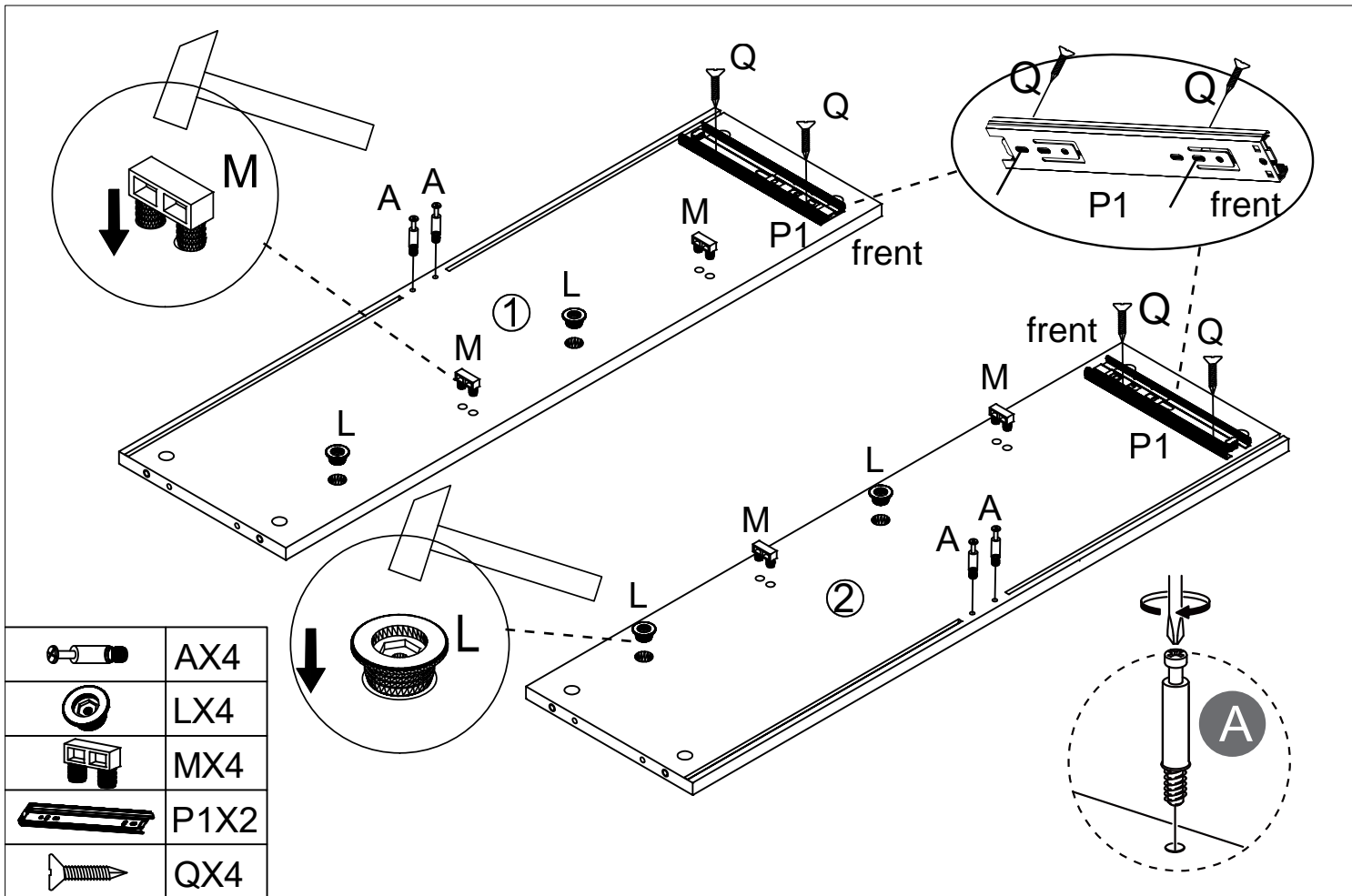
STEP2

will require these parts



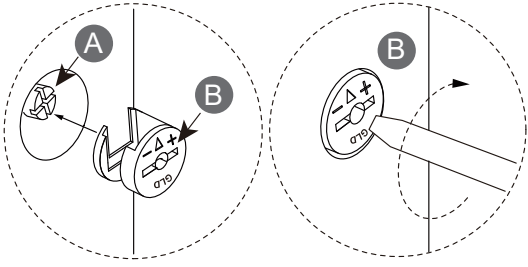
will require these parts

STEP3



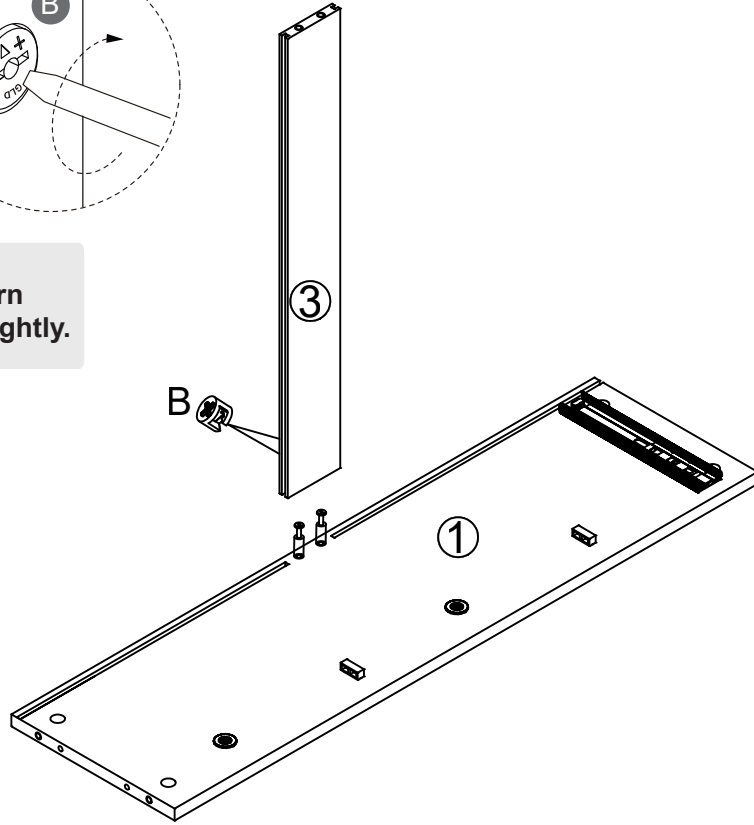
will require these parts

STEP4

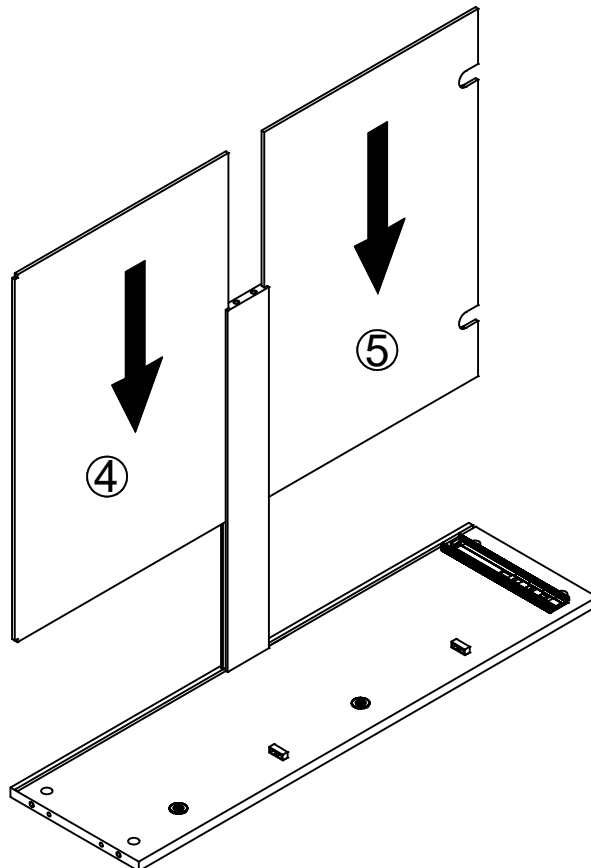


Attention:

Put **B** into the hole and turn **B** clockwise to lock **A** tightly.

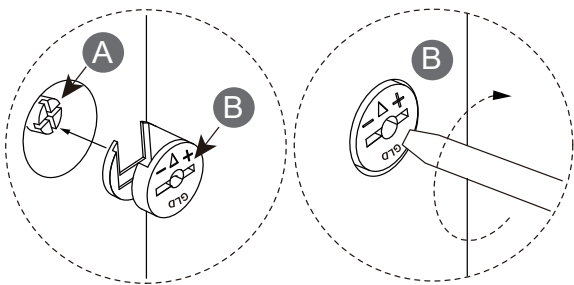


BX2



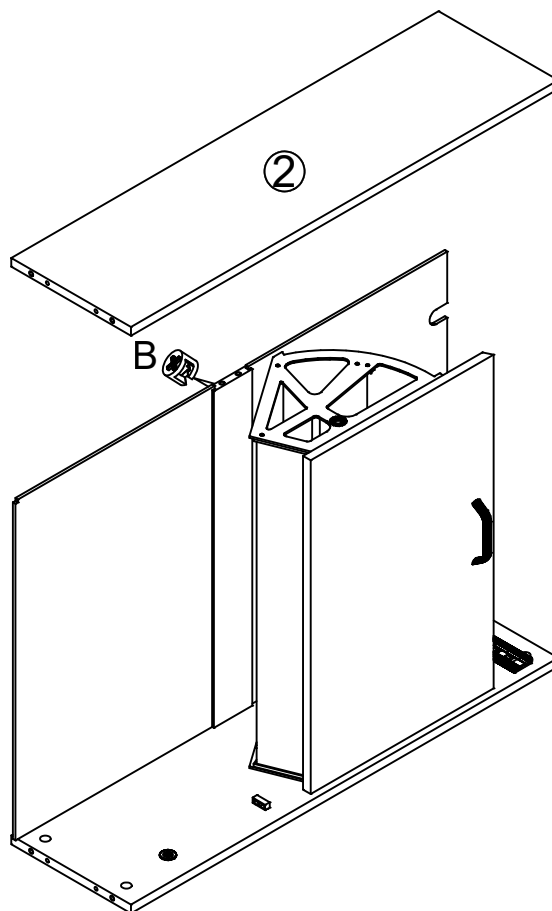
will require these parts

STEP5

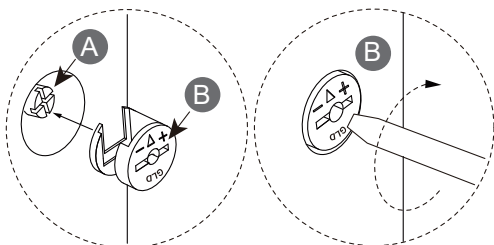


Attention:

Put (B) into the hole and turn (B) clockwise to lock (A) tightly.

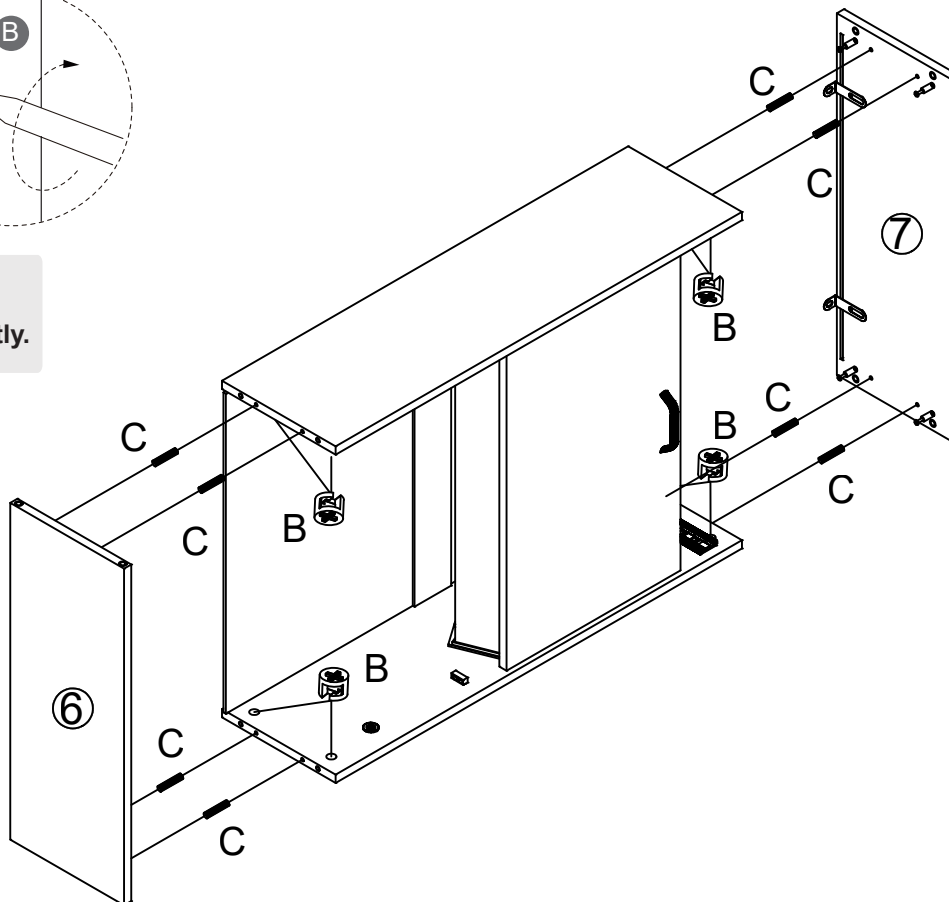


BX2



Attention:

Put (B) into the hole and turn (B) clockwise to lock (A) tightly.



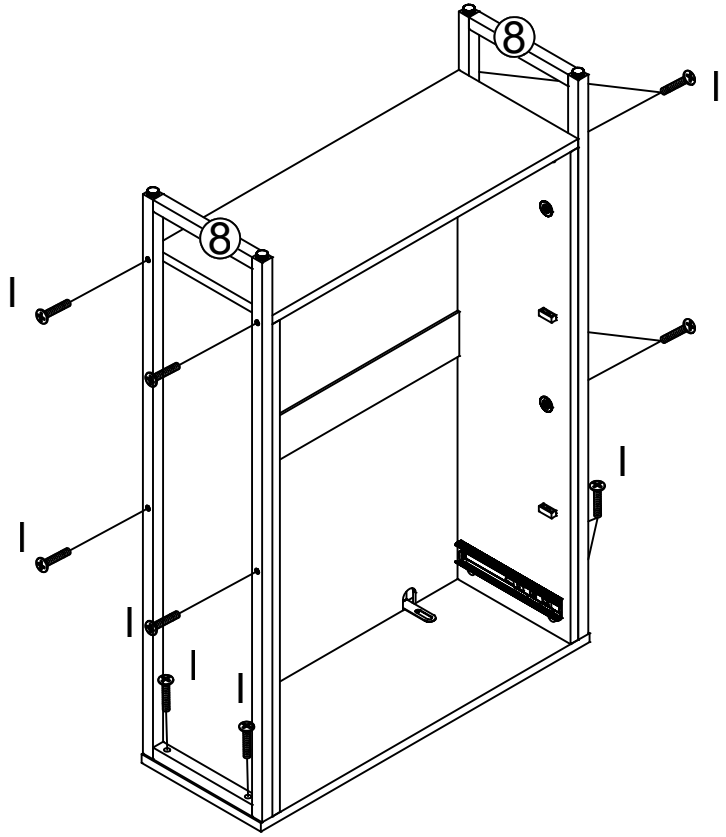
BX8



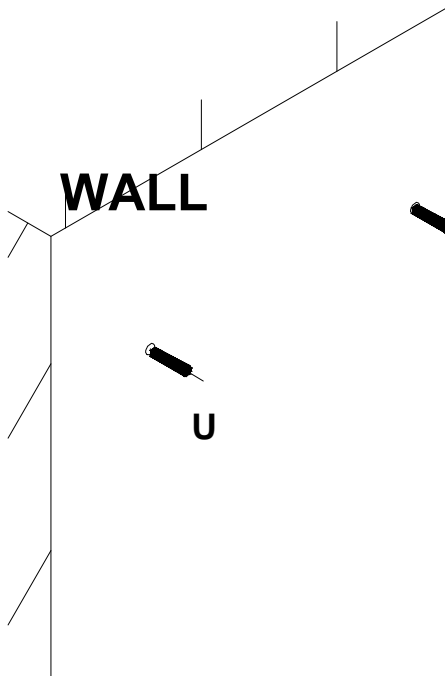
CX8

STEP6

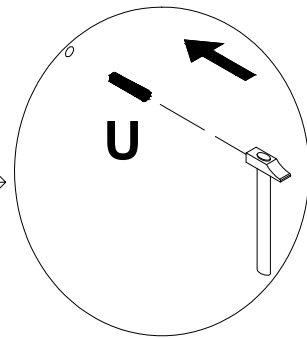
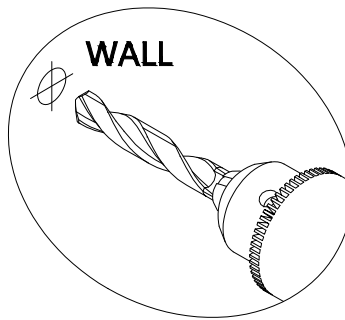
will require these parts



IX12



Drill 2 holes on the wall at the required position for anti-falling device installation.



Ux 2

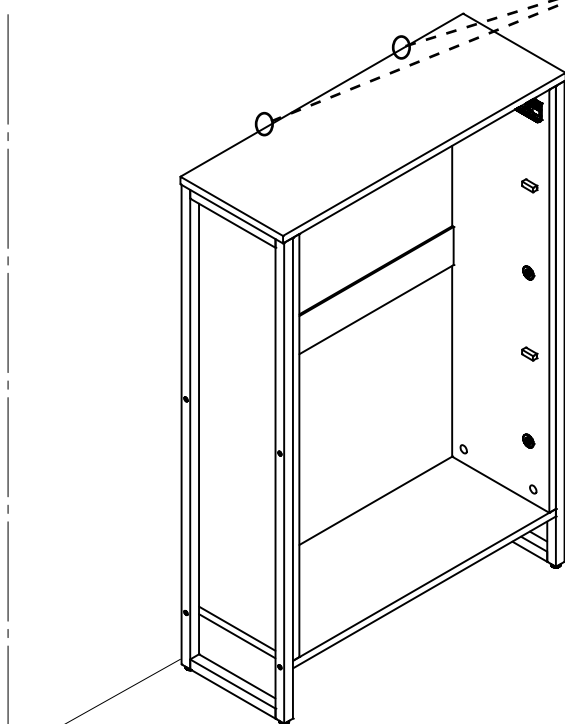
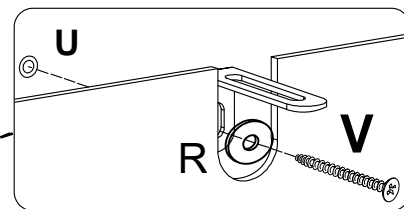
will require these parts


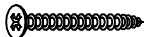
STEP7

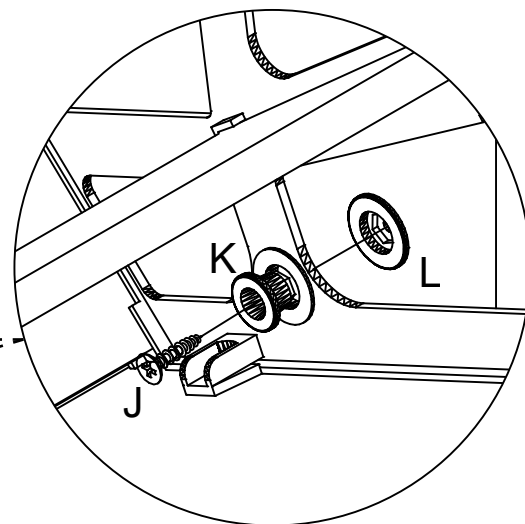
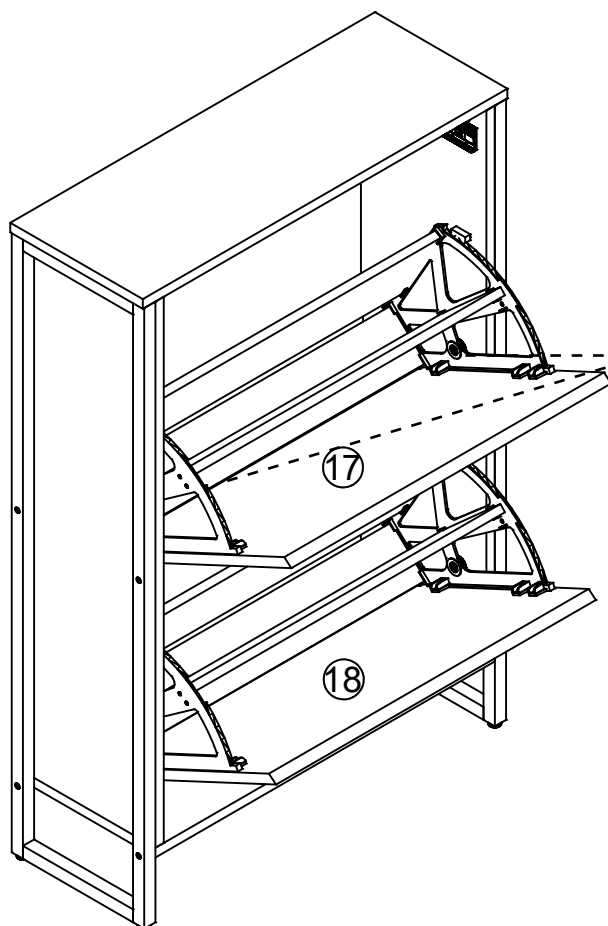
Move the cabinet to the required position, use the "V" long screw to fix the cabinet to the wall.



WALL

⑤



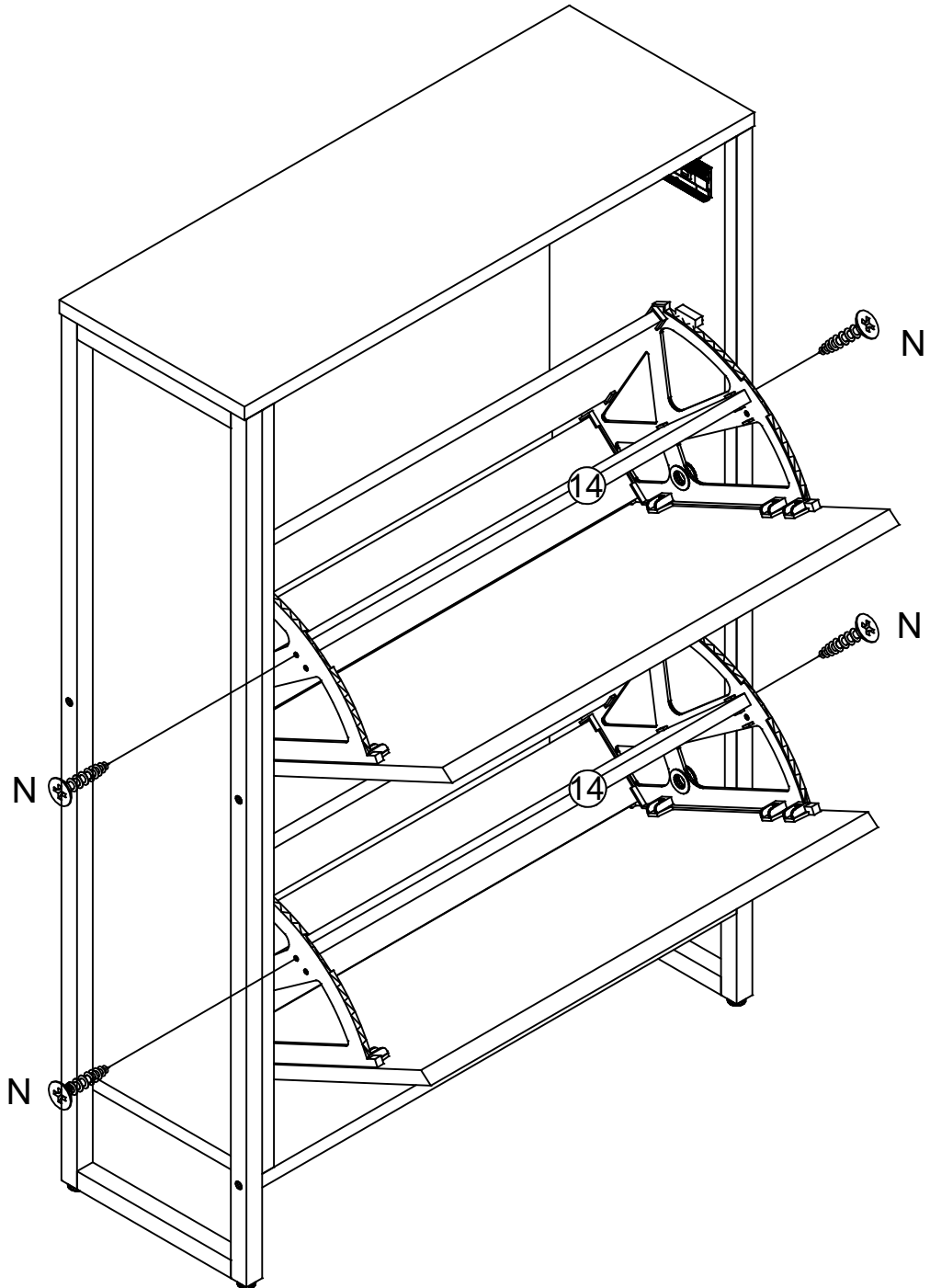
	RX2
	VX2



	JX4
	KX4

STEP8

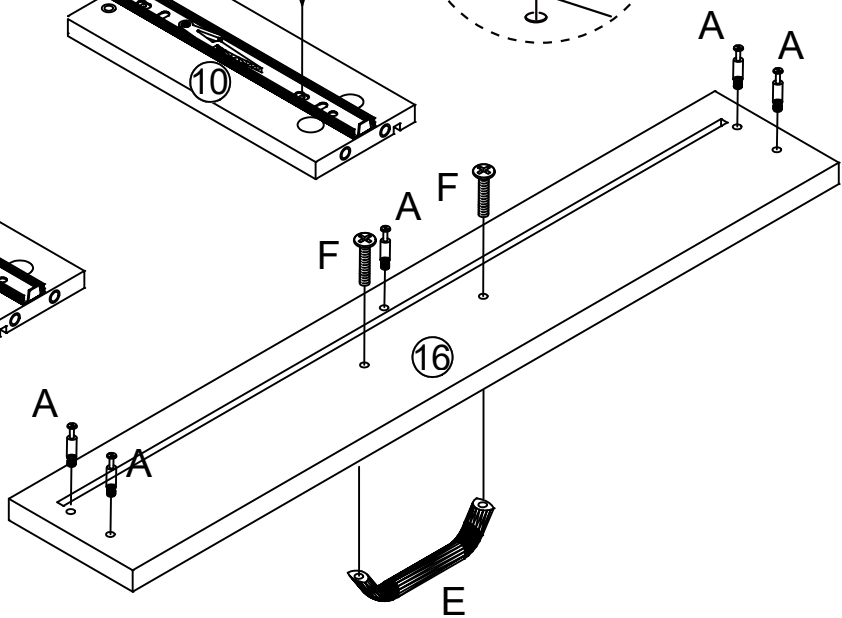
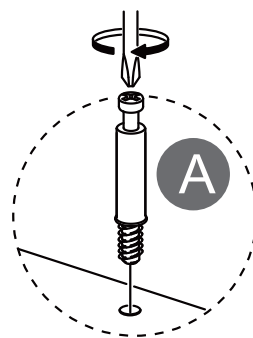
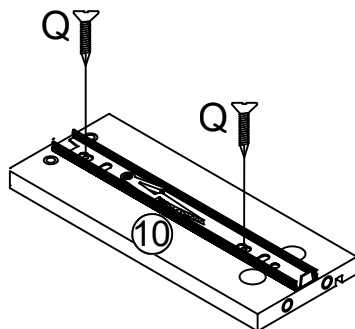
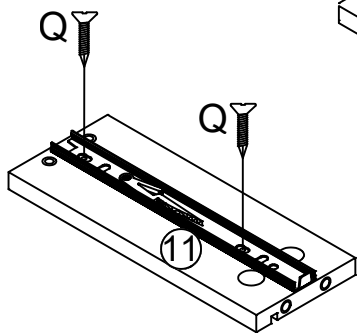
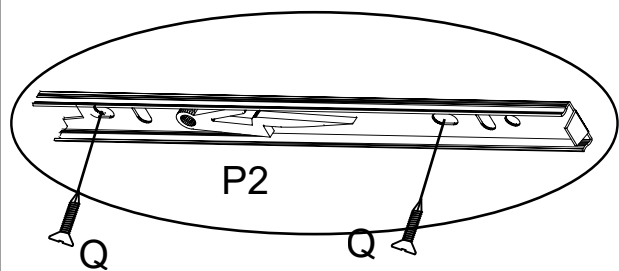
will require these parts



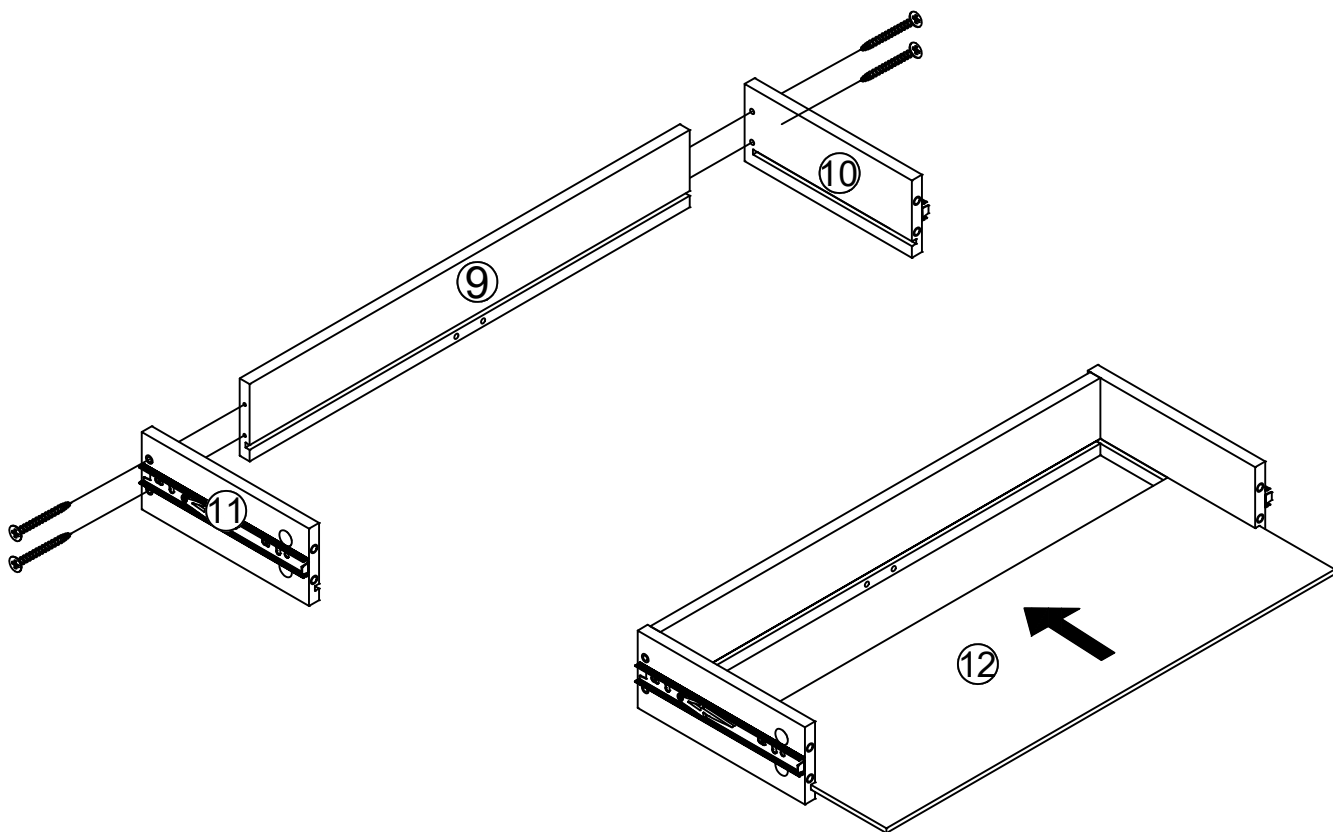
NX4

will require these parts

STEP9



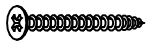
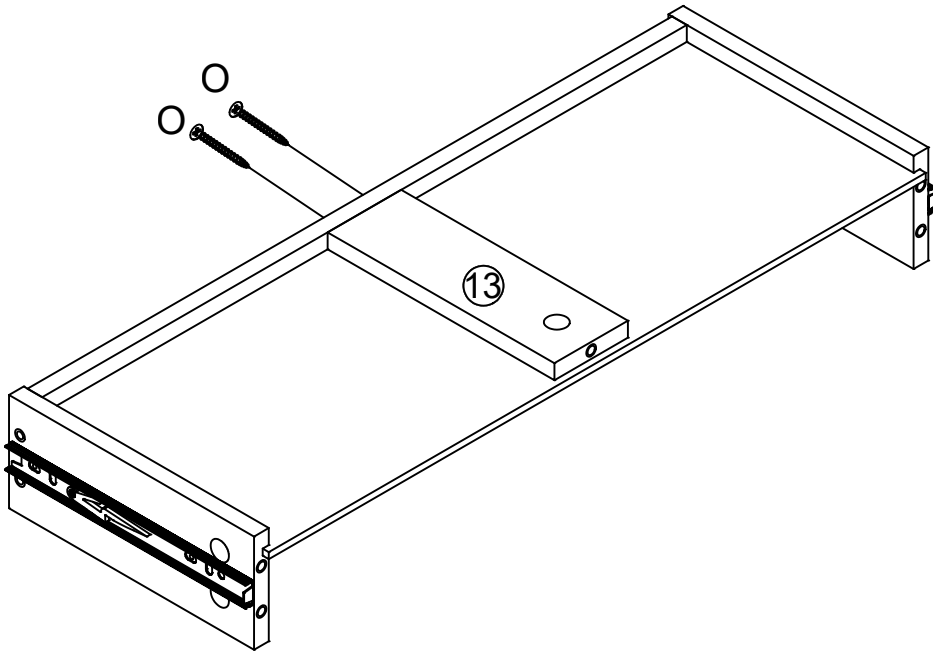
	AX5
	EX1
	FX2
	P2X2
	QX4



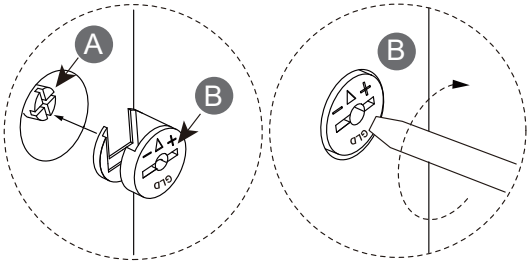
	OX4
--	-----

STEP10

will require these parts

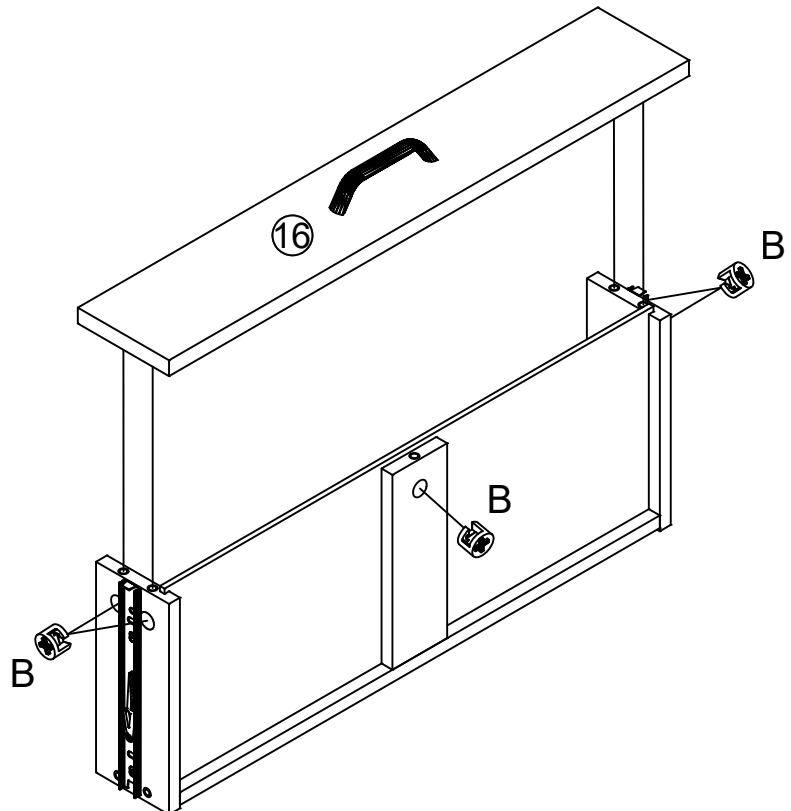


OX2



Attention:

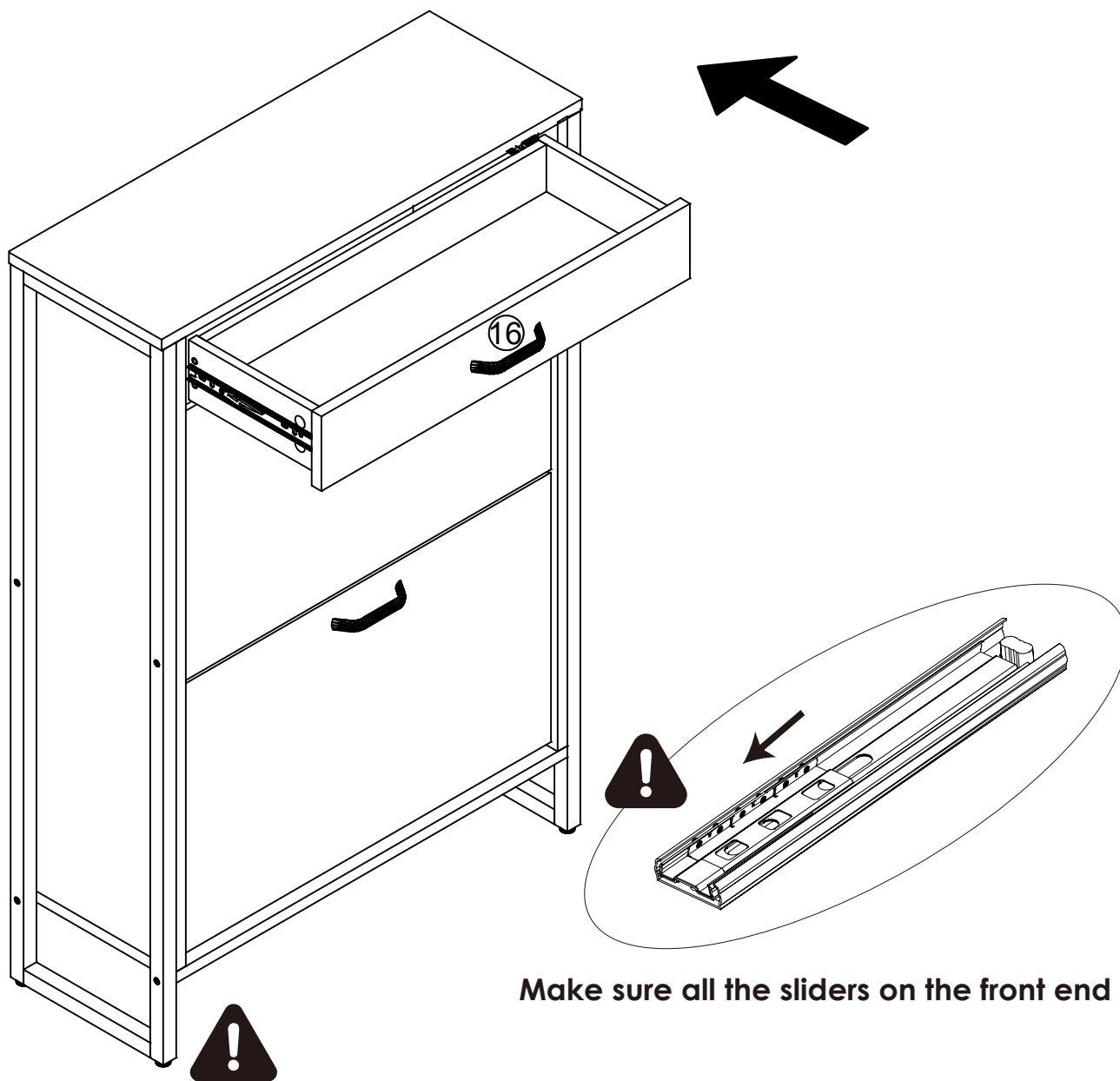
Put **B** into the hole and turn **B** clockwise to lock **A** tightly.



BX5

STEP11

will require these parts



- EN: 1, Drawers must be **horizontally put into** the cabinet
- 2, Make sure both side sliders **match well** to avoid damage

Wrong: P2 and P1 are not be horizontally placed and pushed

Right: Push P2 and P1 horizontally until you hear a "click"

