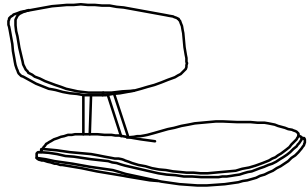
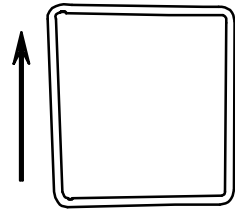


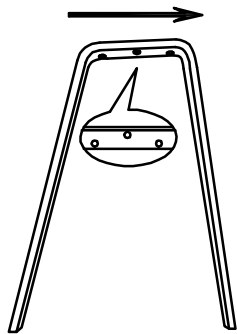
1*1



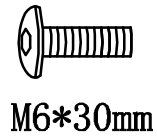
4*1



2*1

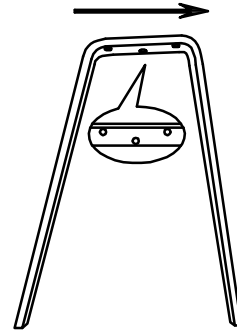


A*10+1EXT



M6*30mm

3*1

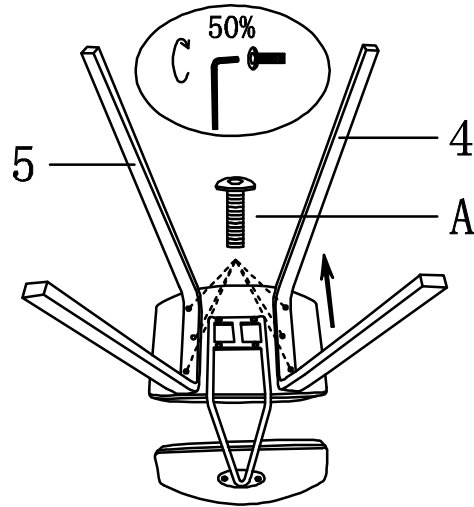


G*1

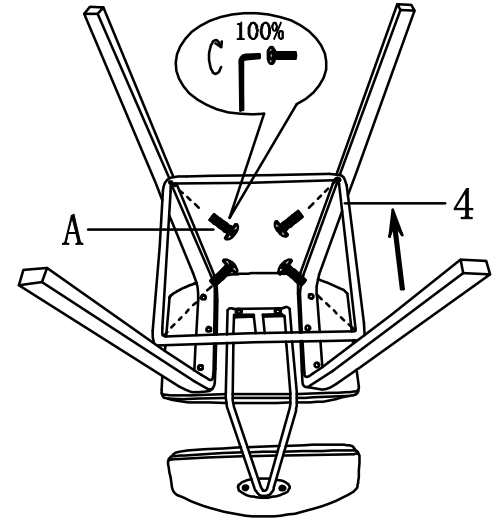


M6

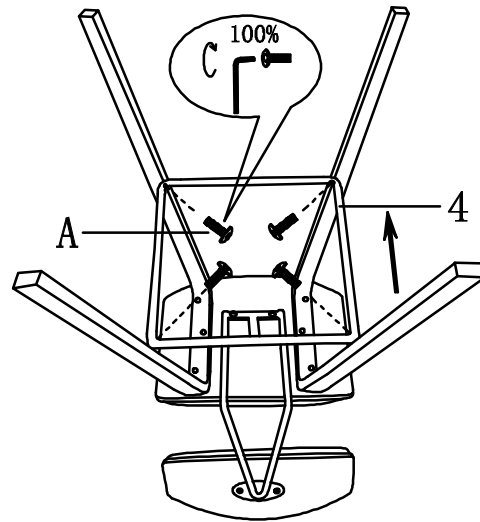
①



②



③



④



When assembling your new barstool, start by initially tightening the bolts to only 25% of their full tightness. This allows you to adjust and align the legs as necessary. Once you're satisfied with the stool's stability and levelness, proceed to fully tighten the bolts. To maintain your safety, we recommend checking and tightening the bolts every 3 months.