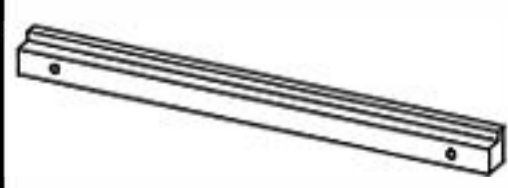






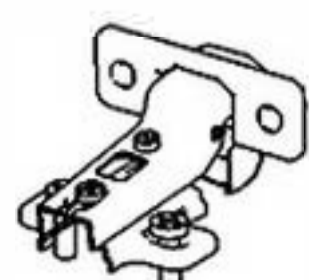





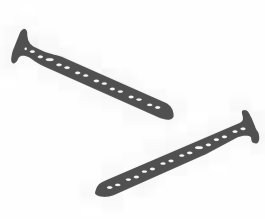


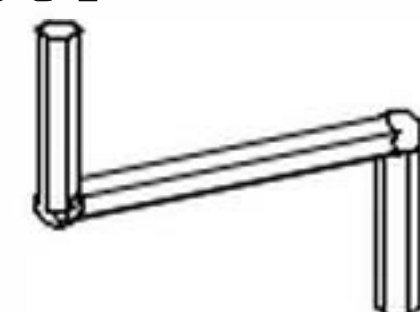



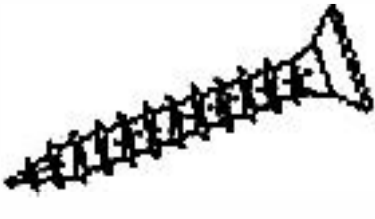
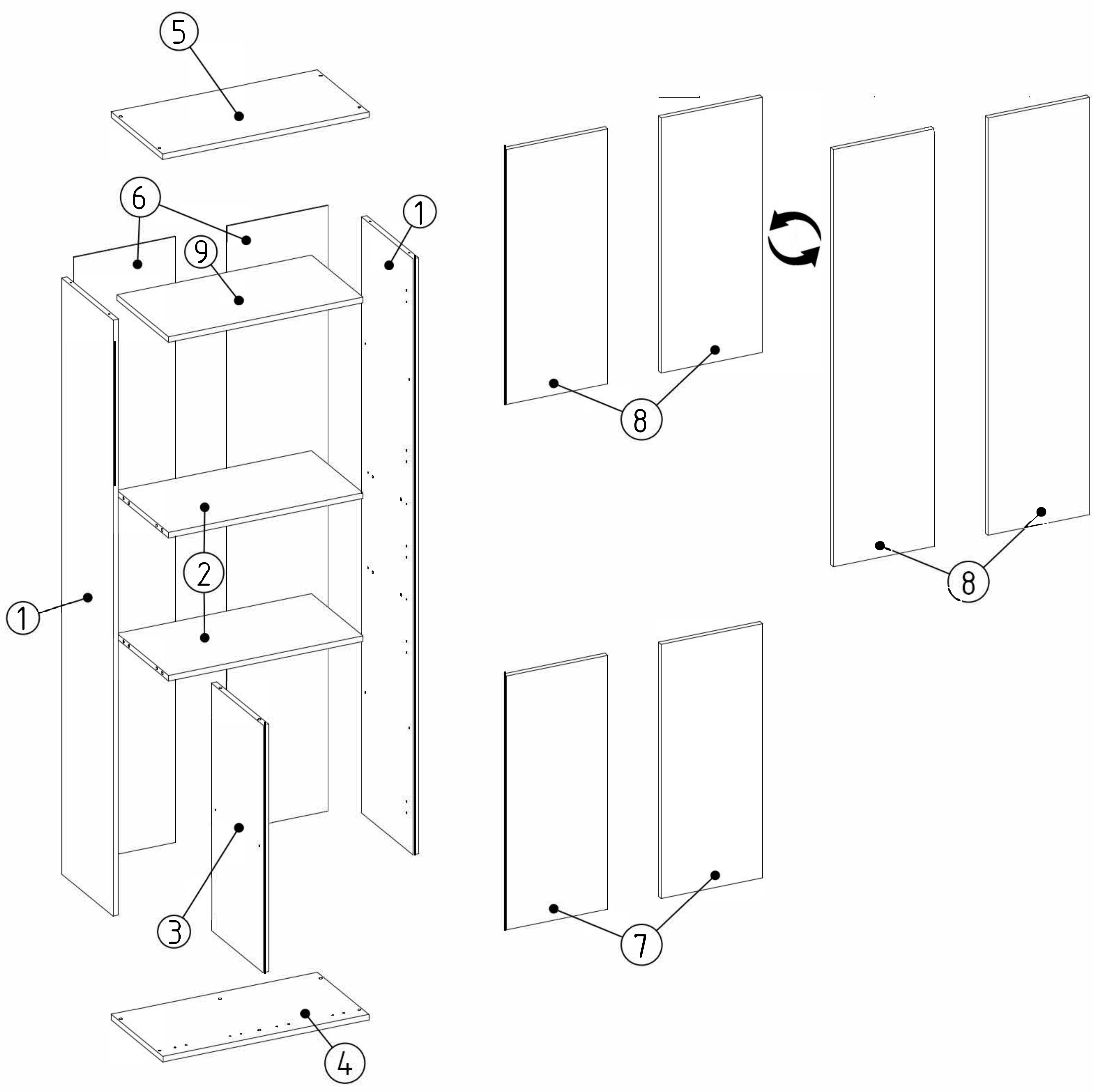


U3  x 4	S16 6x13  x 4	K3  x 8	K4  x 8	L9  x 1
--	--	---	---	---

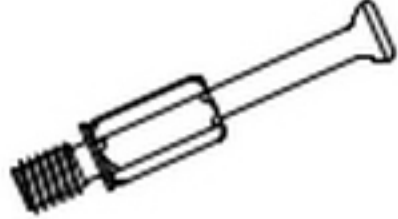

N2  20,3 x 8	M3  x 8	R0  x 8	S1 3,5x16  x 18	E1 8x30  x 12	K2  x 2	S5 2,5x20  x 5	D2  x 4
---	---	---	--	--	---	---	---

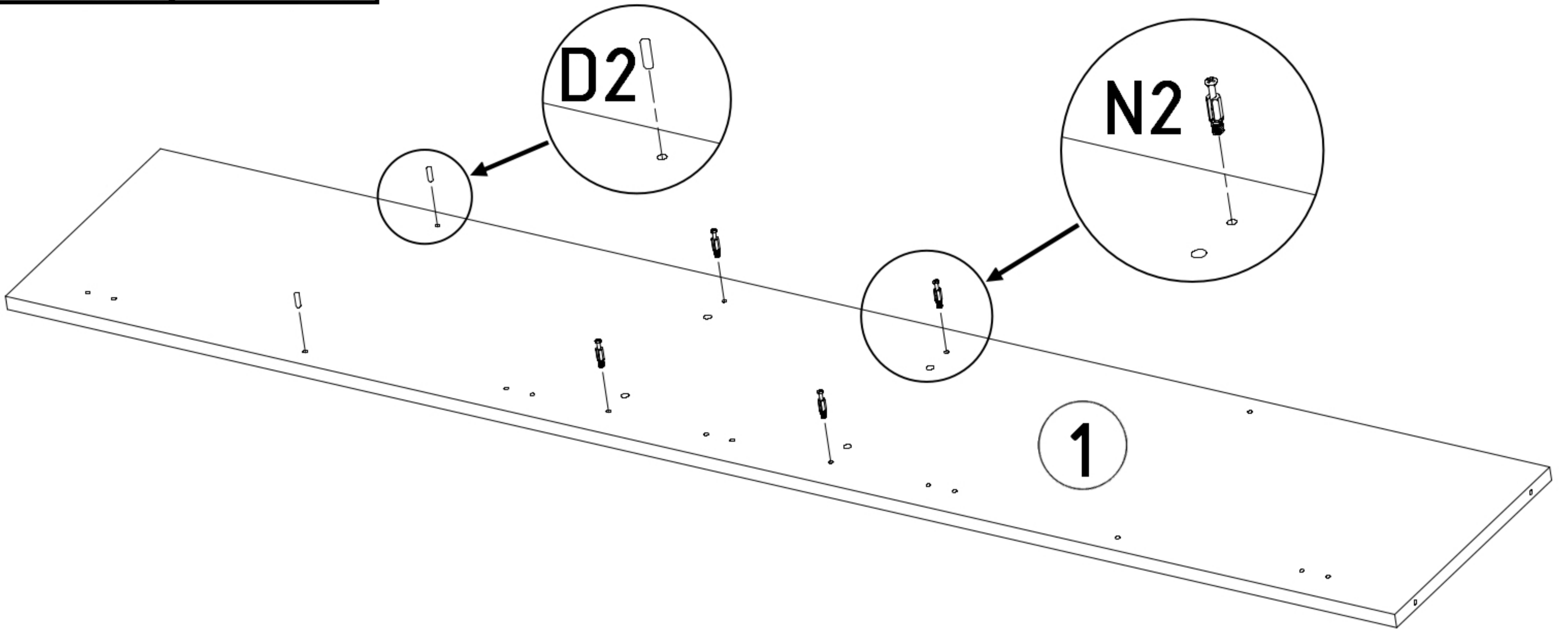
Z2  x 80	F2  x 8	Z4  x 5	K1  x 1	F1  x 4	V3  x 2	T1  x 4	S4 4x27  x 8
---	---	---	--	---	---	---	---





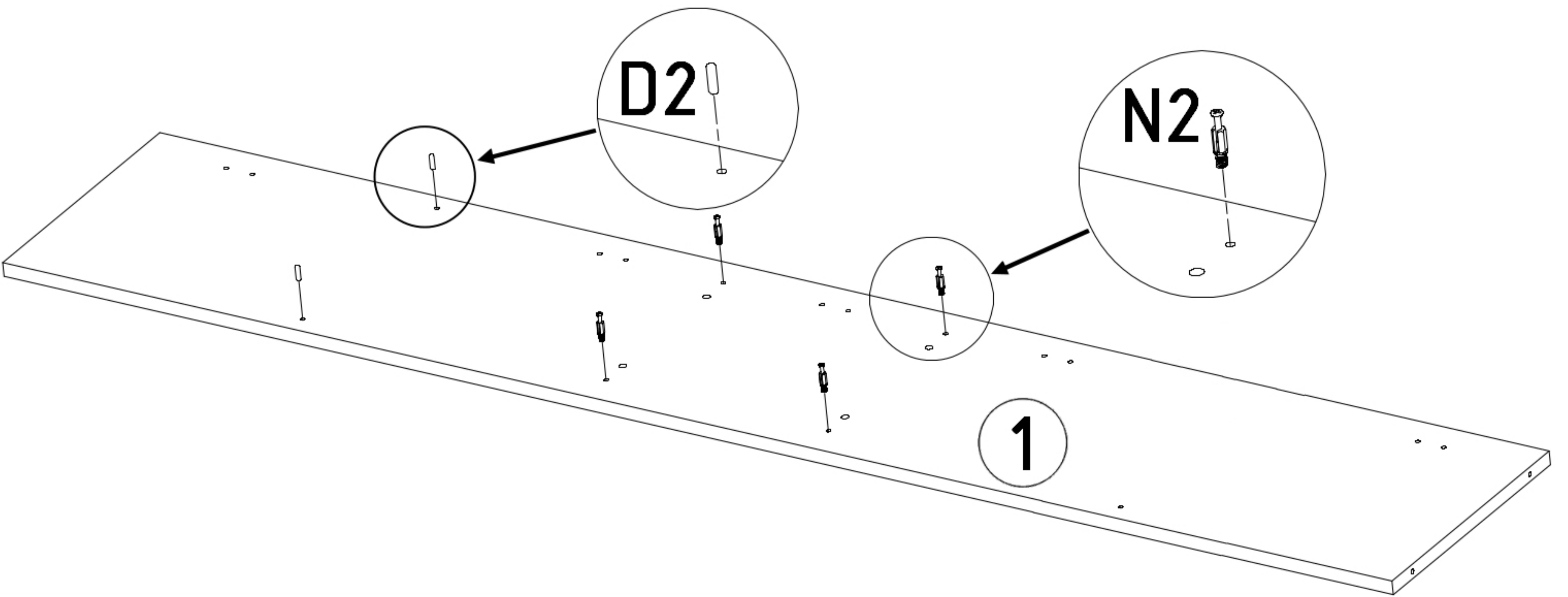
1	x 2
2	x 2
3	x 1
4	x 1
5	x 1



6	x 2
7	x 2
8	x 2
9	x 1

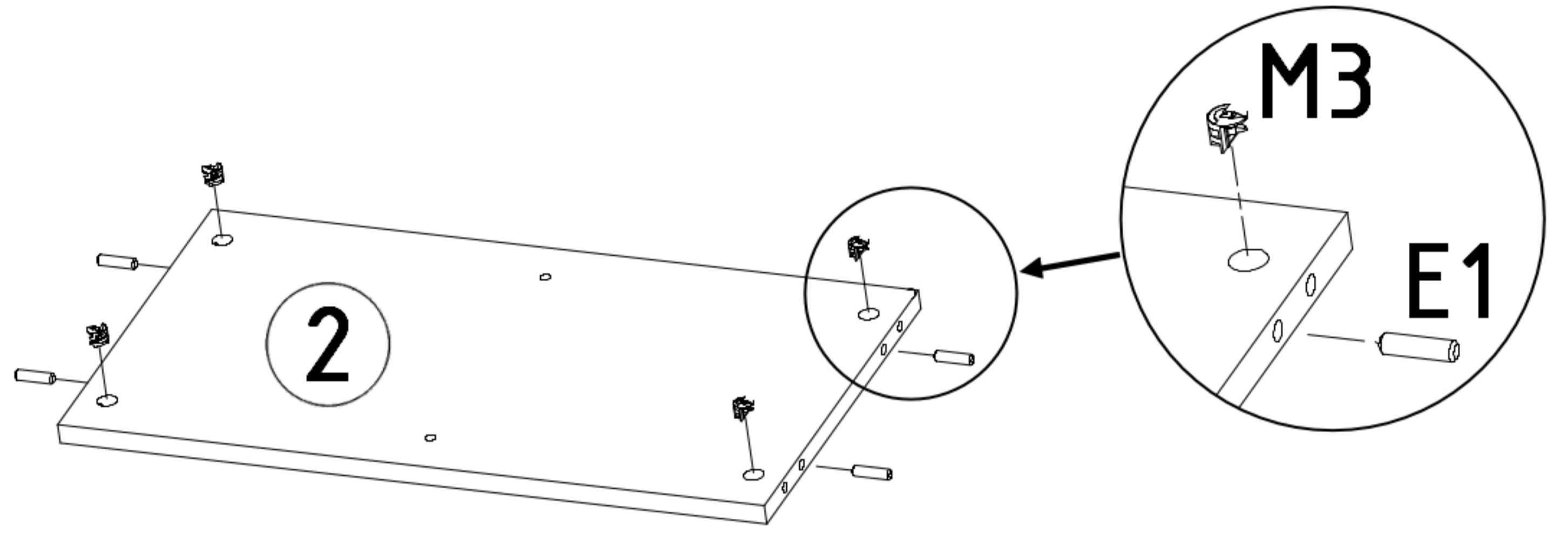
N2  20,3 x 4	D2  x 2
---	---



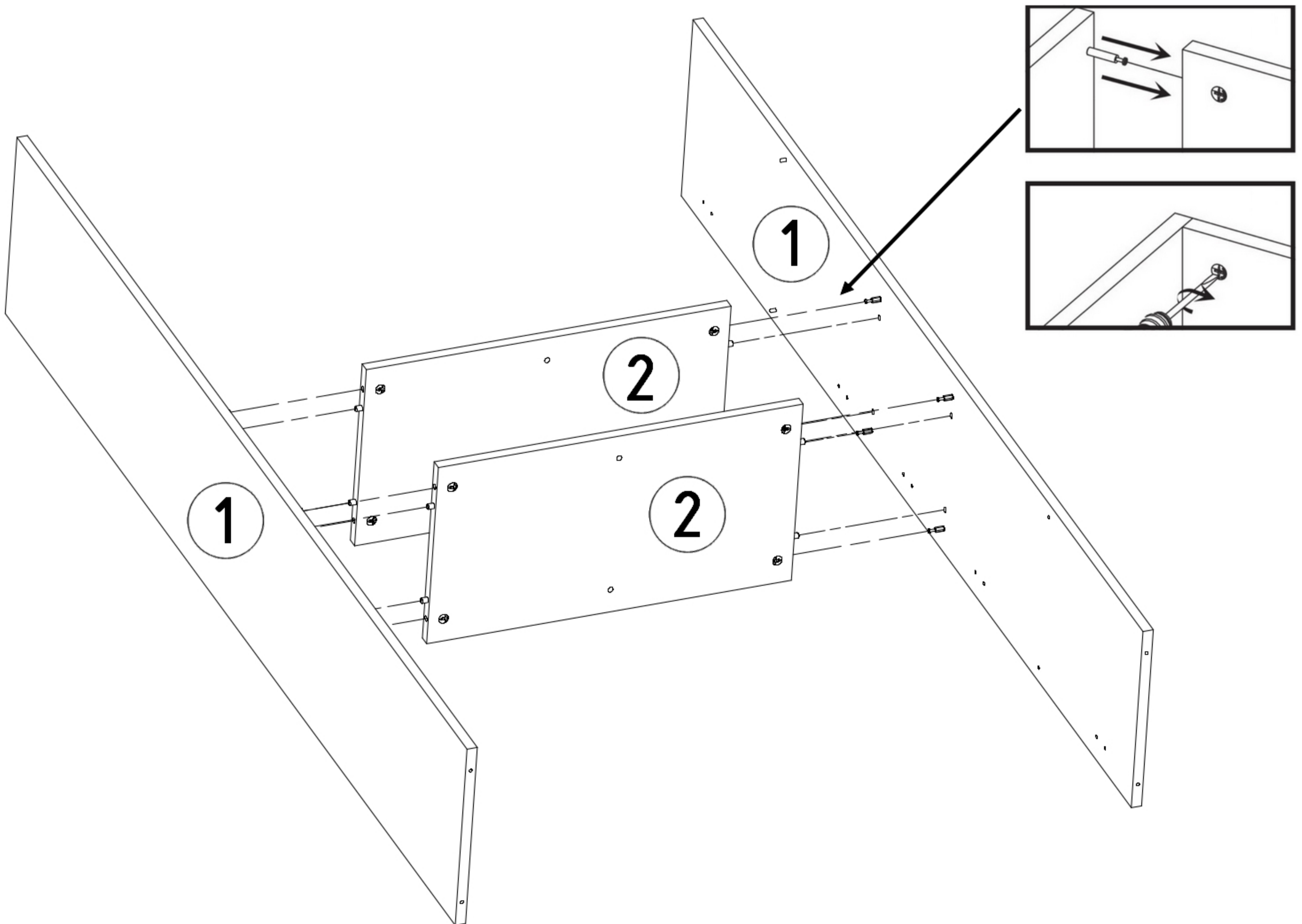
N2  20,3 x 4	D2  x 2
---	---

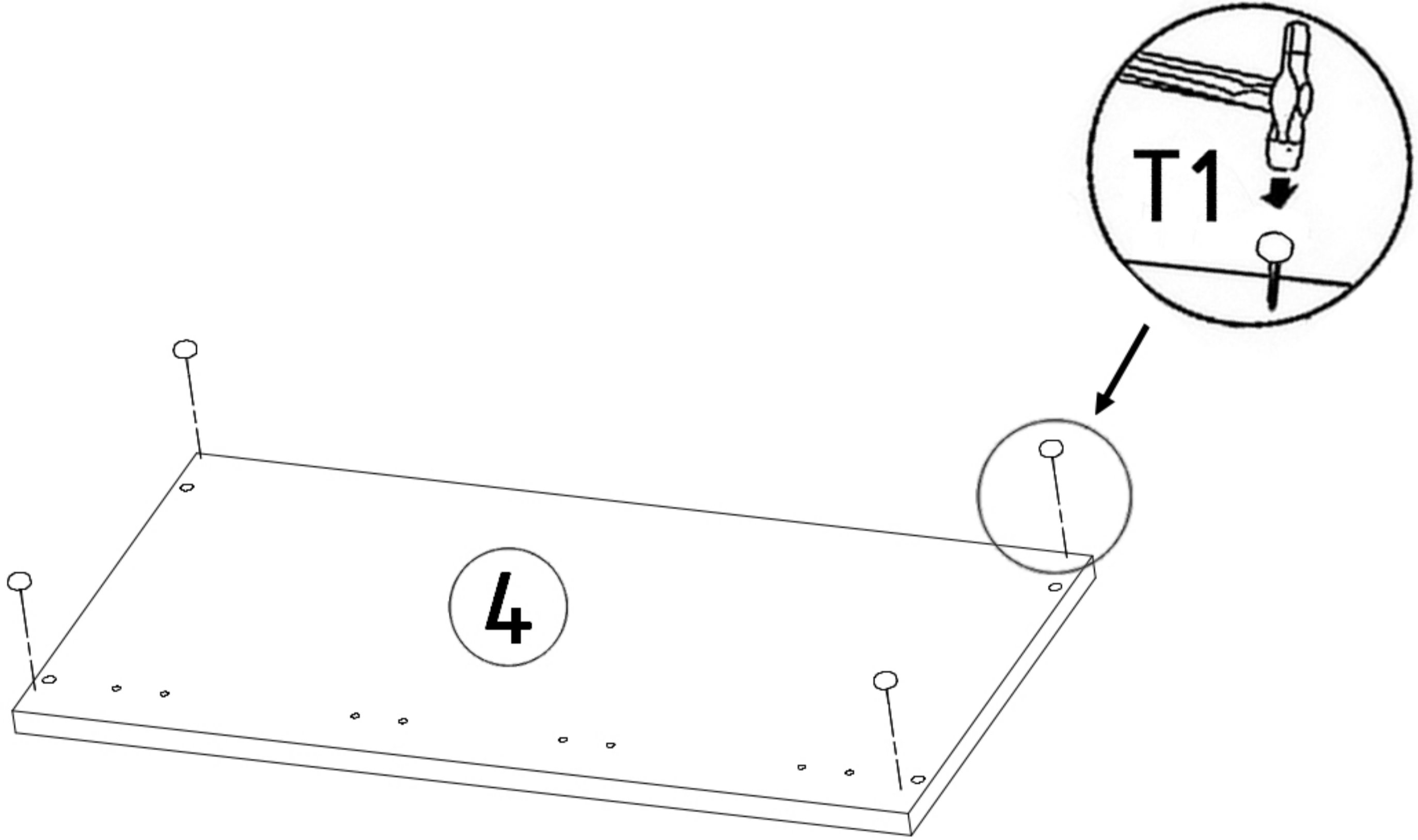
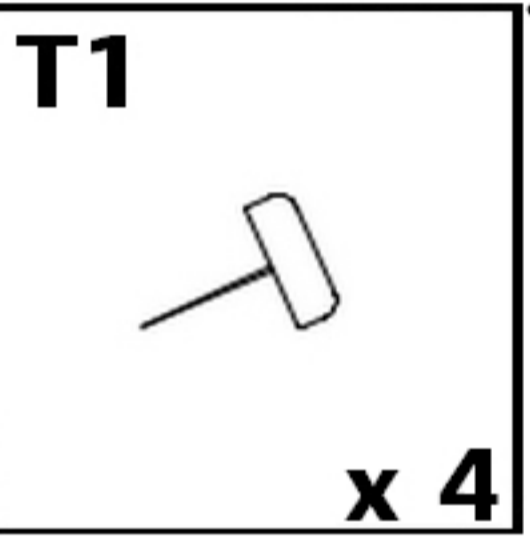
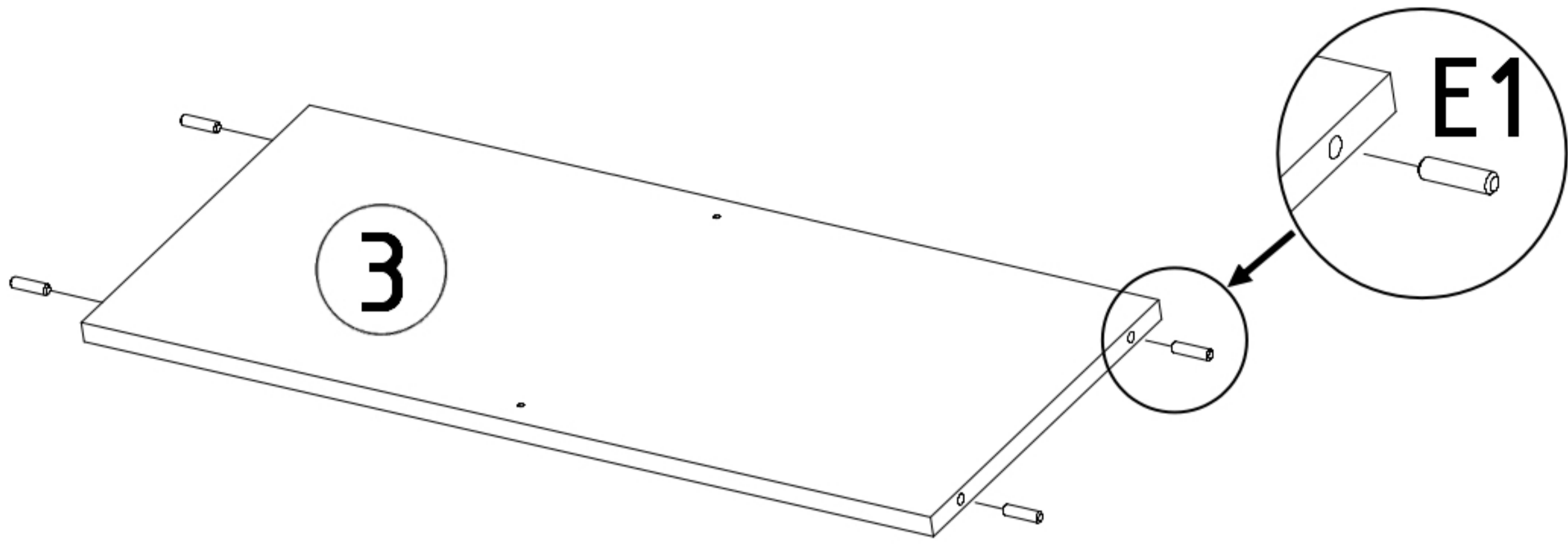
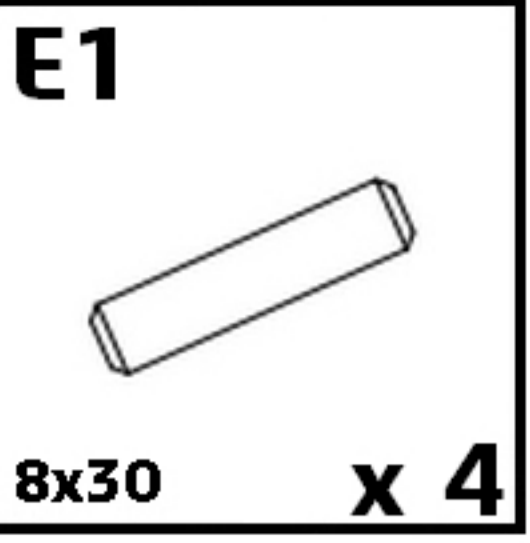


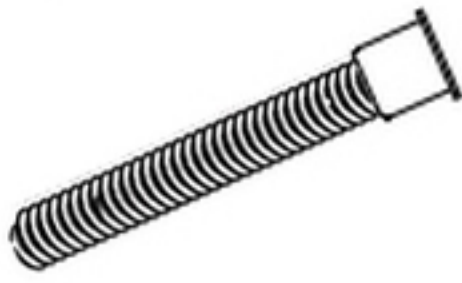
M3  x 8	E1  8x30 x 8
--	--

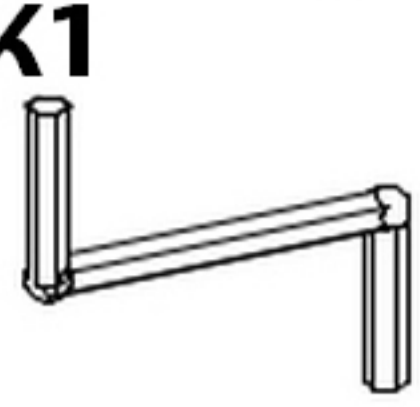



x 2

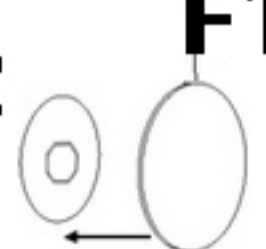




F2

x 8


K1

x 1

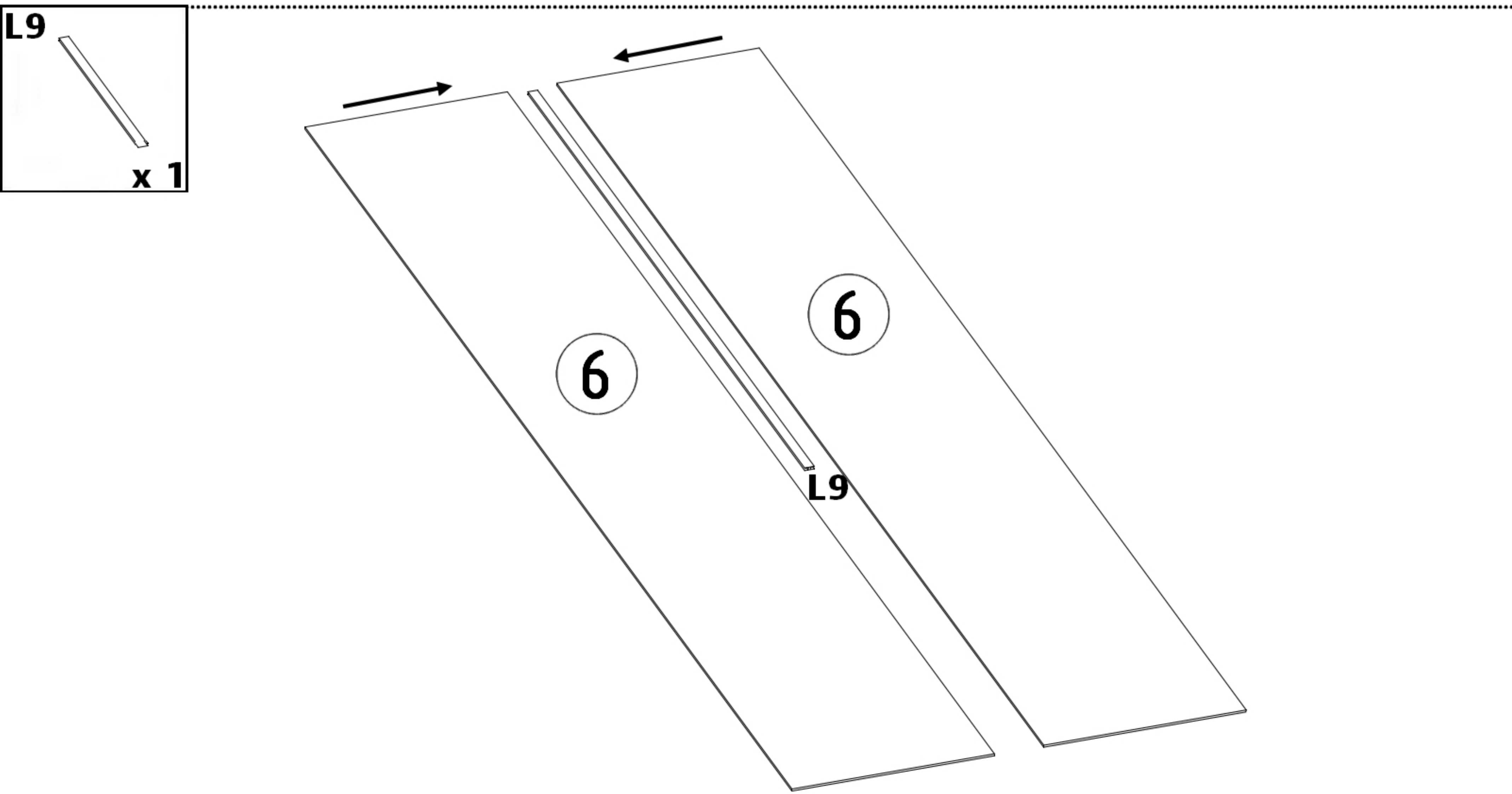
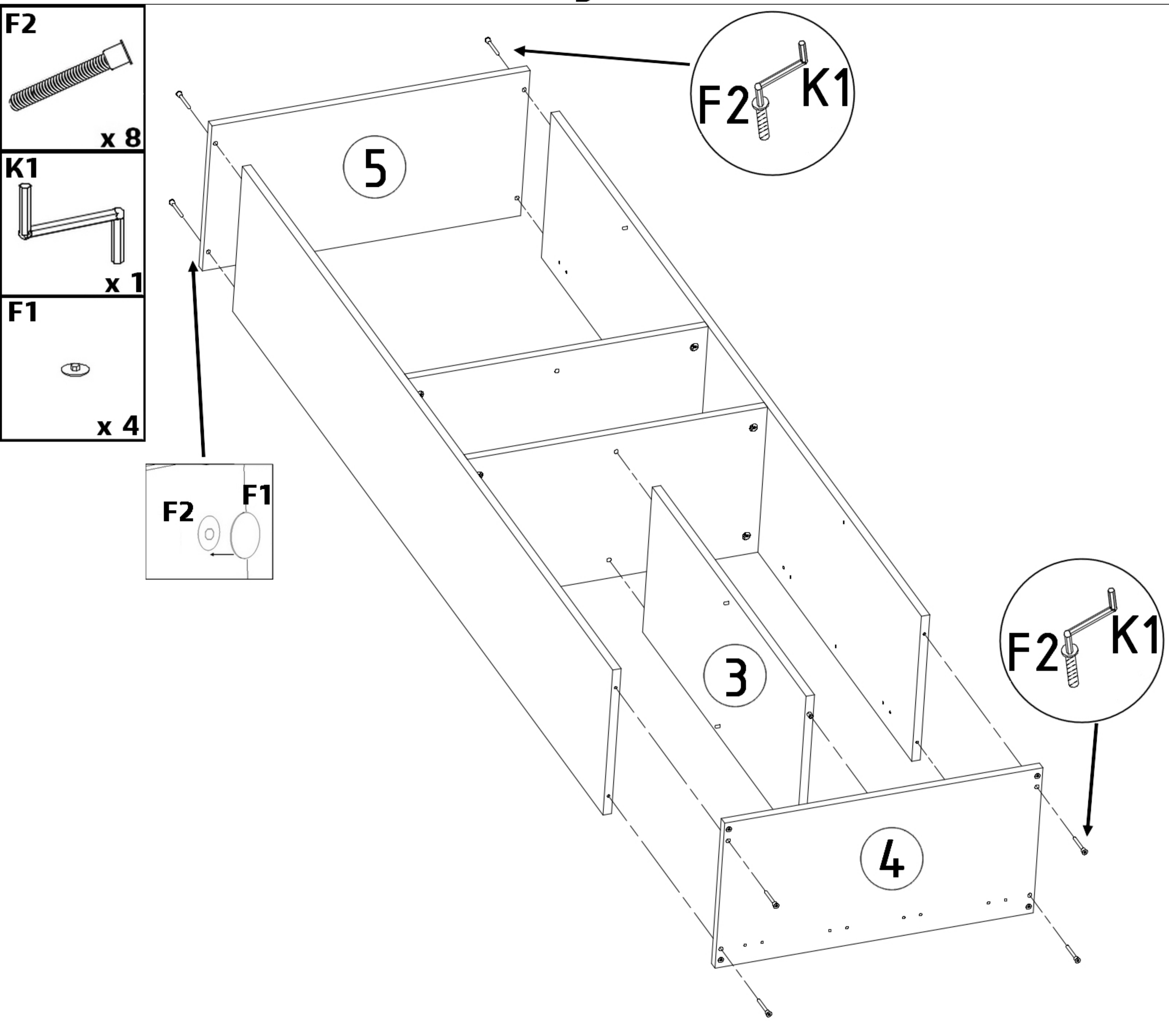
F1

x 4

F2 **F1**




F2 **K1**

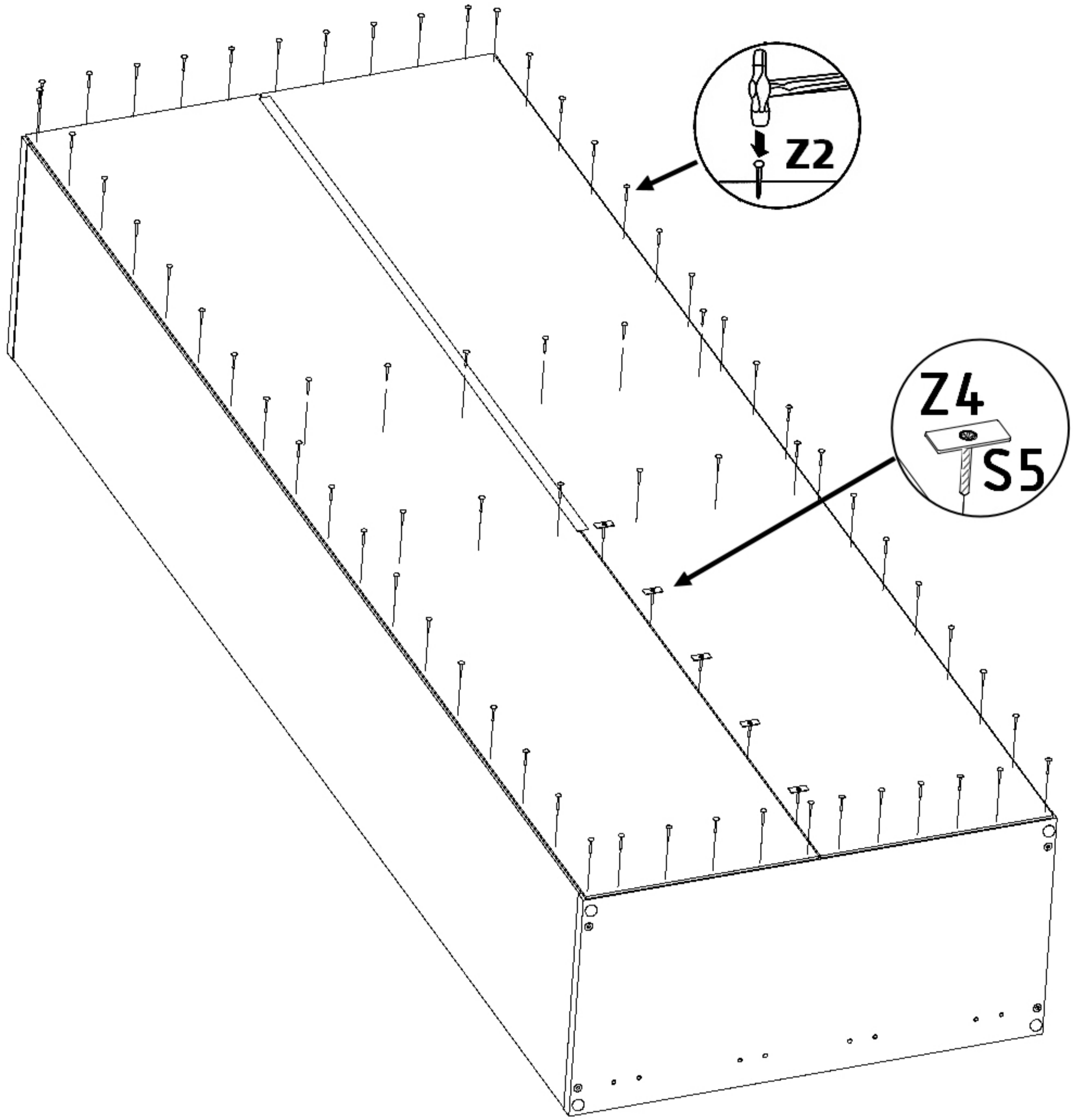

F2 **K1**

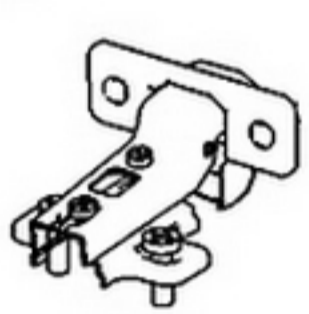




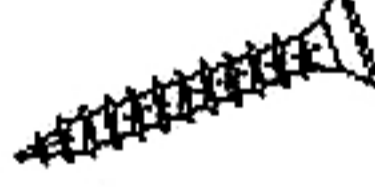
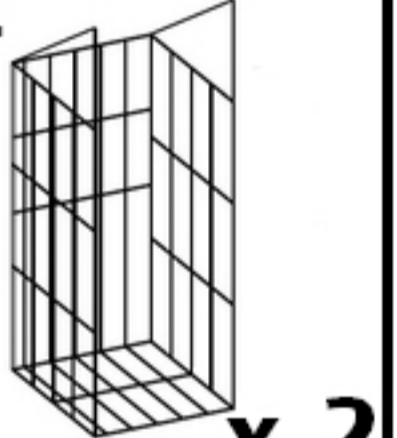

L9

x 1

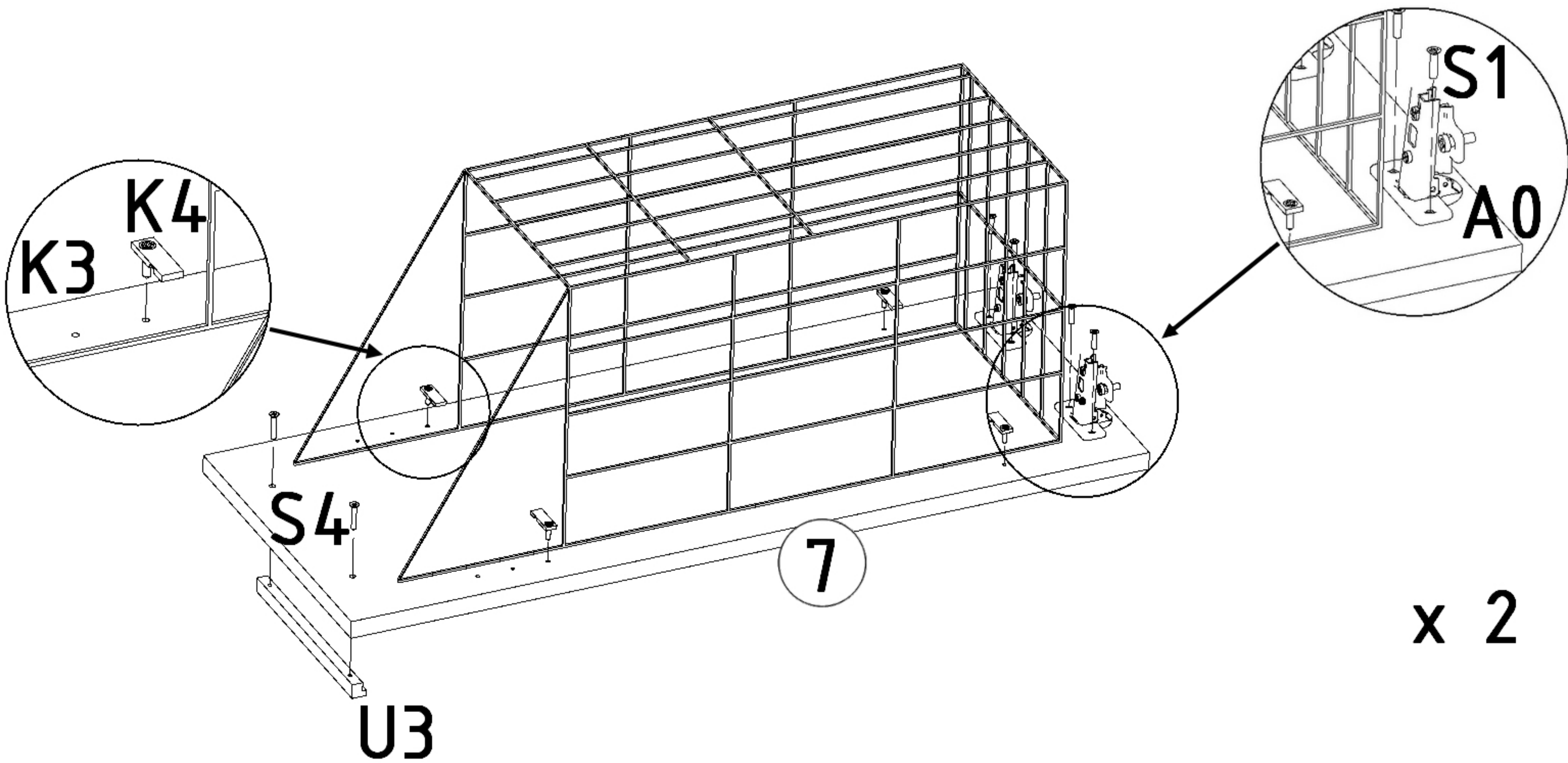


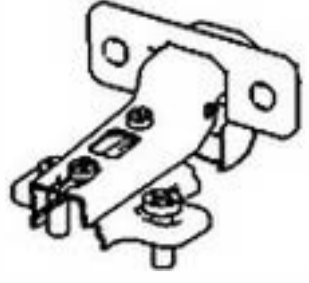

6

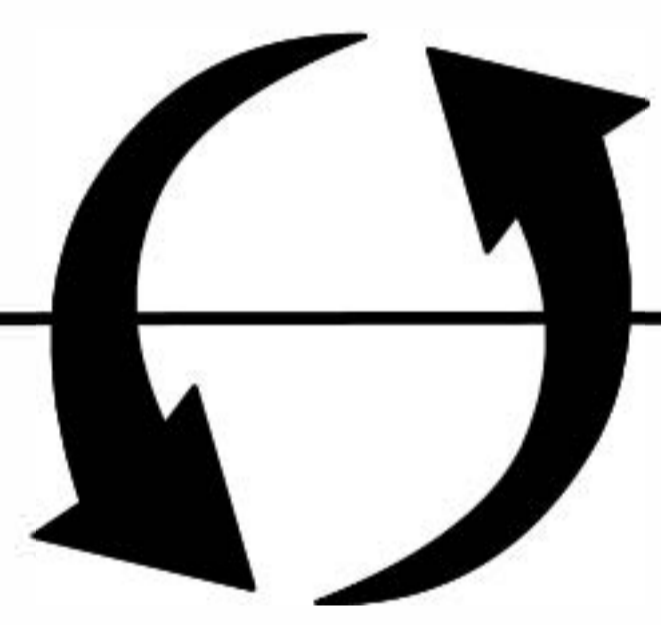
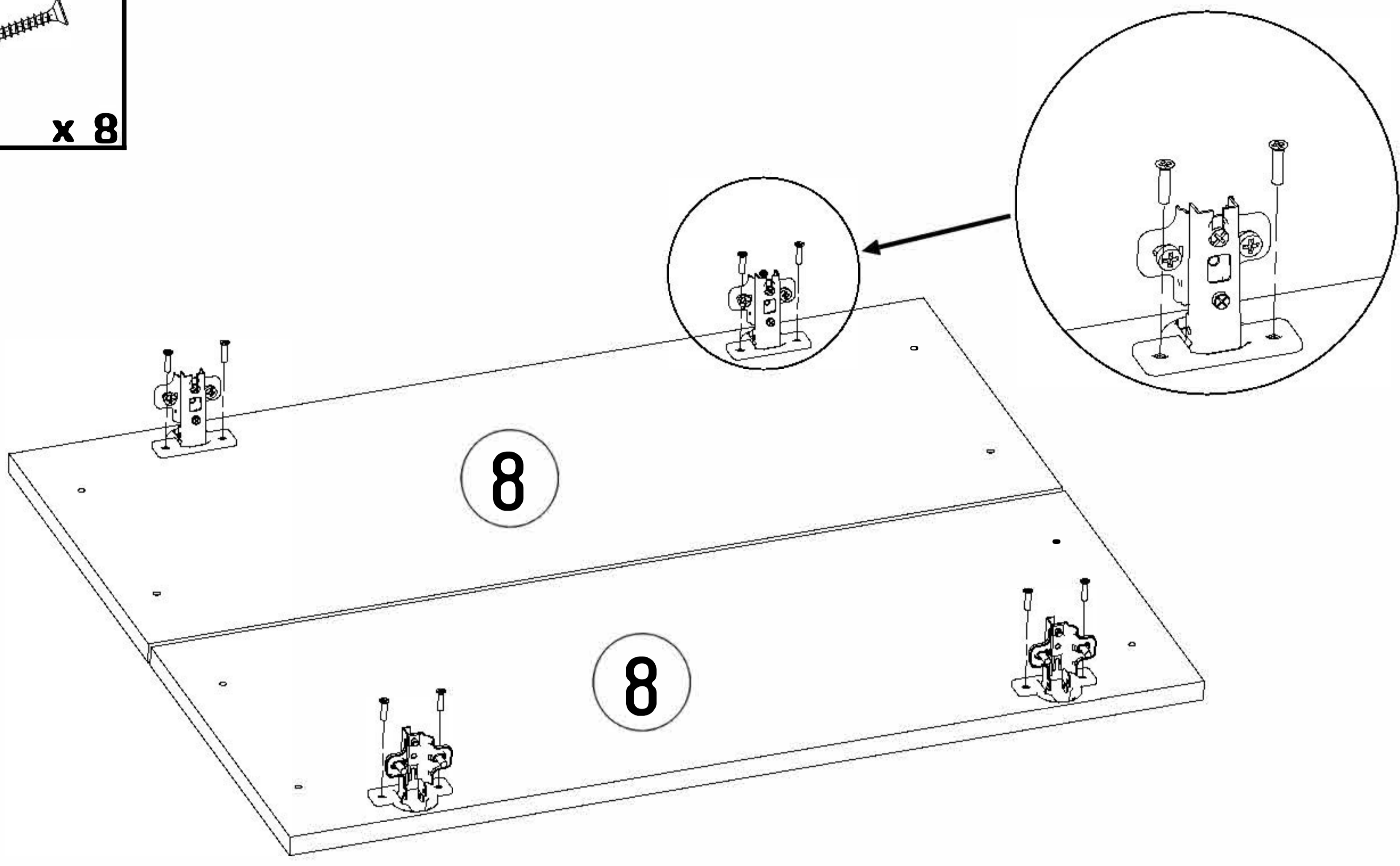
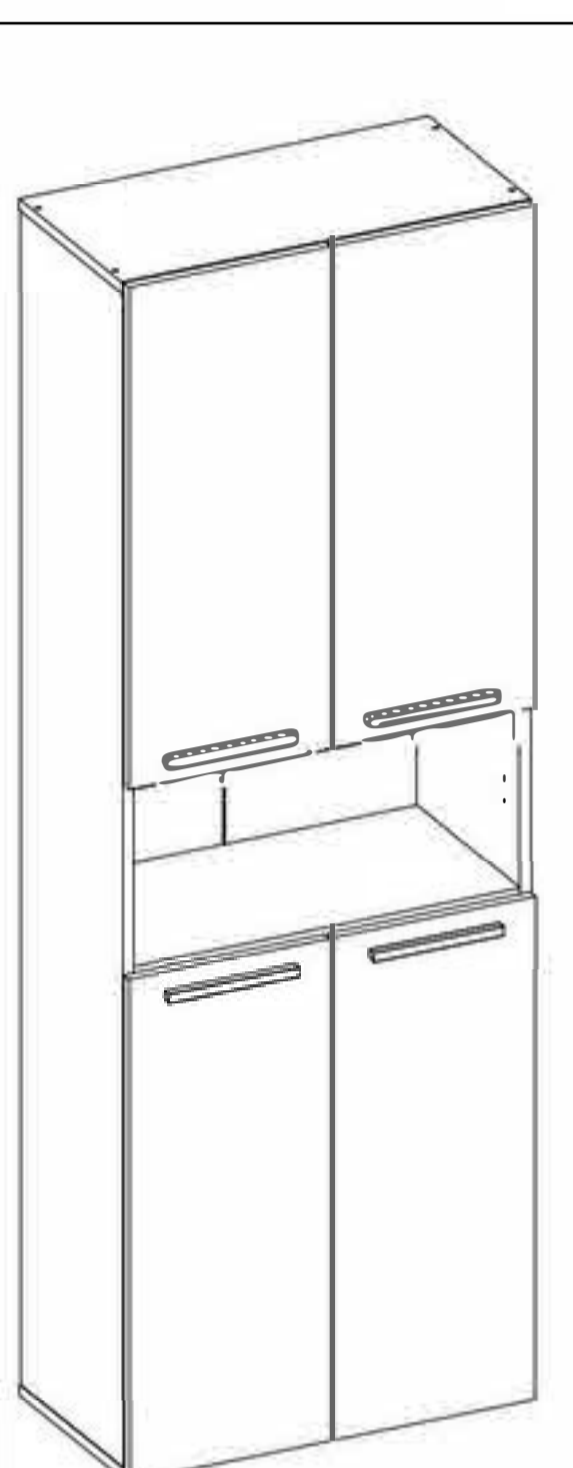
Z2  x 80	S5  2,5x20 x 5	Z4  x 5
--	---	--

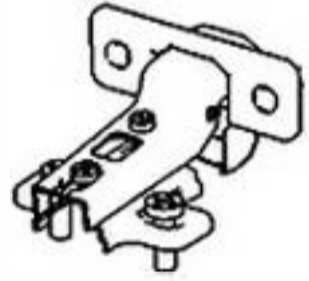



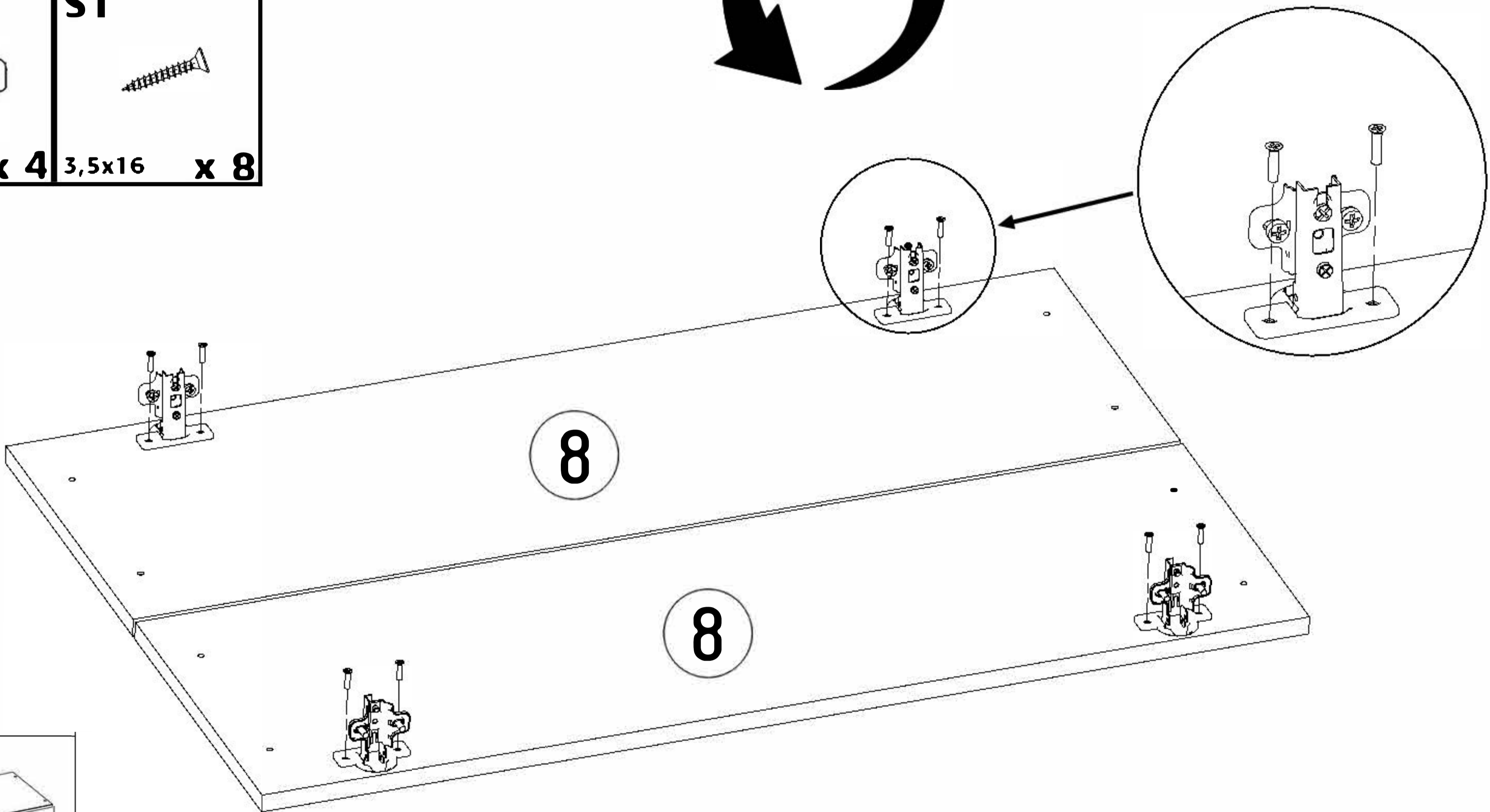
A0  x 4	S1  3,5x16 x 8	K3  x 8	K4  x 8	U3  x 2	S4  4x27 x 4	K2  x 2
---	---	--	--	--	---	--



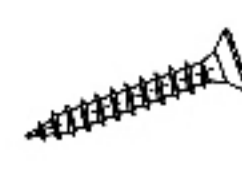
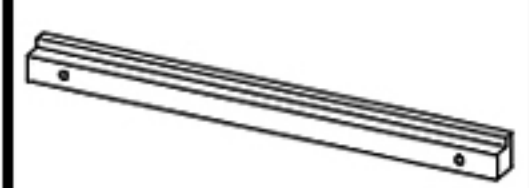
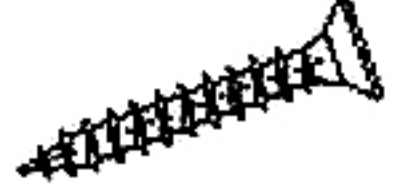


A0 	S1 	
x 4	3,5x16	x 8



A0 	S1 	
x 4	3,5x16	x 8



V3 	S16 	S1 	U3 	S4 
x 2	6x13	x 4	3,5x16	x 4
x 2		x 4	4x27	x 4

NEL 2K DK

NEL 2K DD

