

NOTICE

- * Please make sure that you have all parts indicated and they are in good condition before you begin assembly of this item. Refer to part list and hardware list below for guidance.
- * This item should be assembled on a soft surface to prevent scratching the finish during assembly.
- * This item may require periodic tightening.
- * If you are having difficulty, our friendly Customer Care team is always here to help







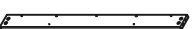


PREPARATION

- * Before beginning assembly of product, make sure all parts are present. Compare parts with part contents list and hardware contents list.
- * If any part is missing or damaged, do not attempt to assemble the product.
- * Estimated Assembly Time: 60 minutes.
- * Tools Required for Assembly : Phillips Screwdriver (not included)

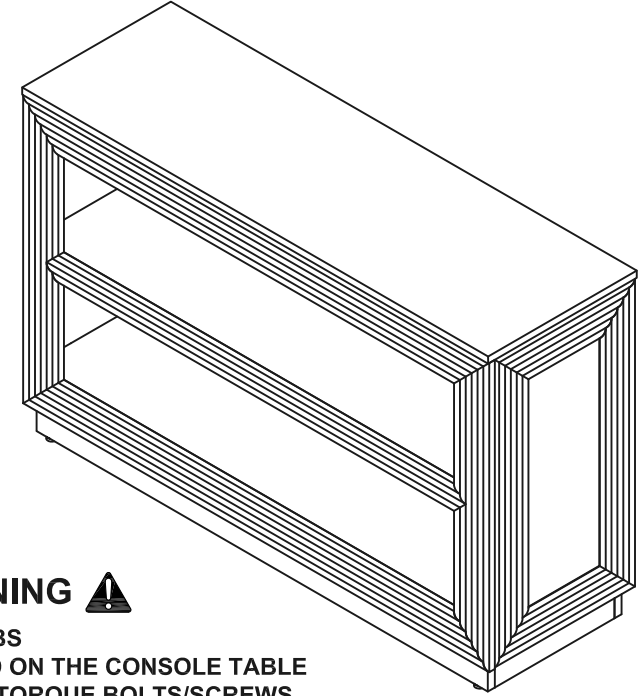
CARE AND MAINTENANCE

Adhesive felt pads should always be applied to areas of furniture which make direct contact with flooring, said application will prevent damage to the furniture and or surfaces on which the furniture lies. Objects placed on articles of furniture should rest on non abrasive material as to prevent damage to the wood finish. Wipe up spills immediately and avoid common hazards such as hot dishes, harsh solvents and abrasives. Cleaning should be done with a soft lint free cotton cloth dampened with water or furniture polish.

Part List and Hardware List






PIECE	DESCRIPTION	PICTURE	QUANTITY
A	TOP PANEL		1X
B	LEFT PANEL		1X
C	RIGHT PANEL		1X
D	SHELF		2X
E	TOP RAIL		1X
F	MIDDLE RAIL		1X
G	BOTTOM RAIL		1X
H	FRONT FRAME		1X
I	BASE FRAME		1X

Product Dimensions: 47"W x 15"D x 30"H



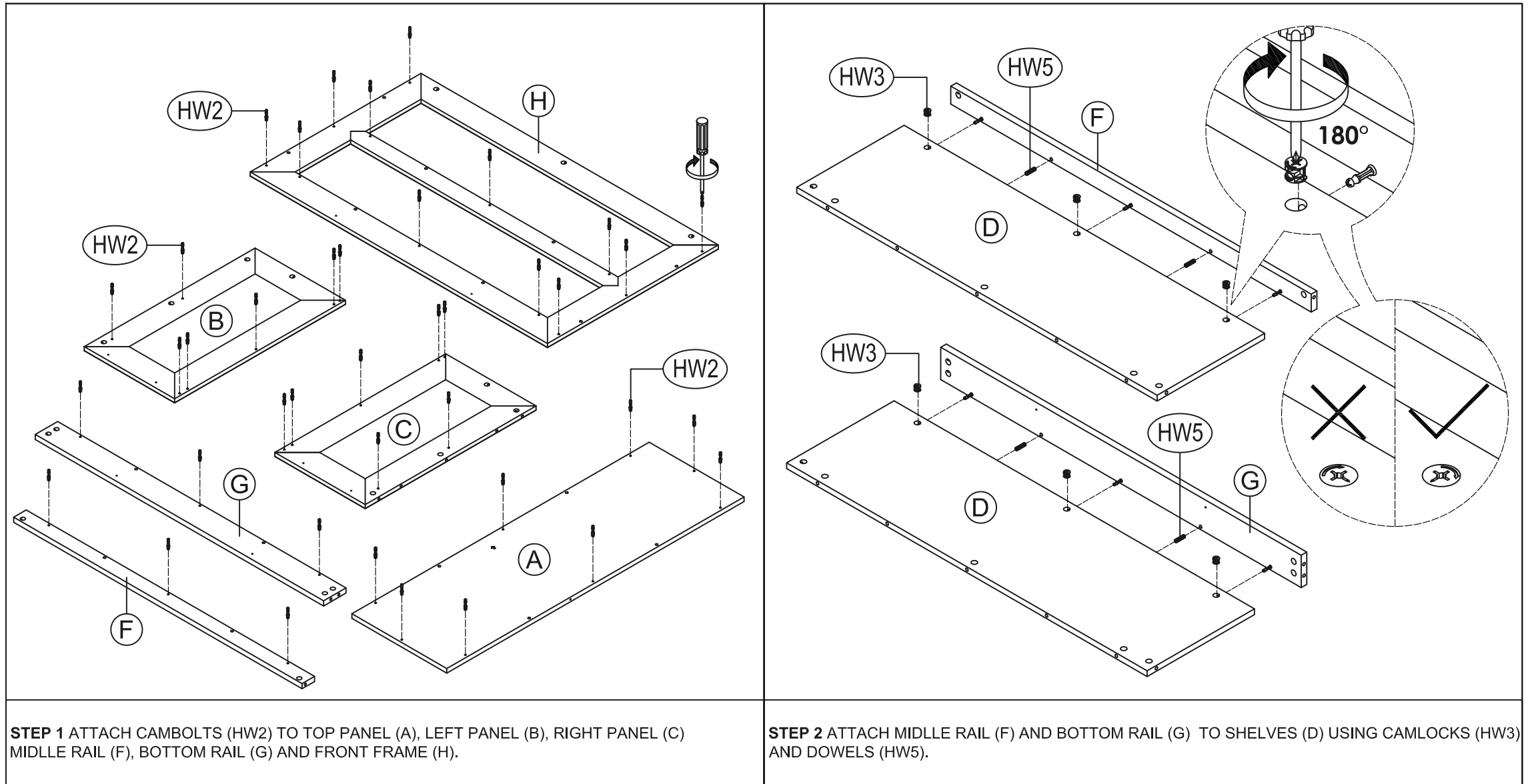
WARNING

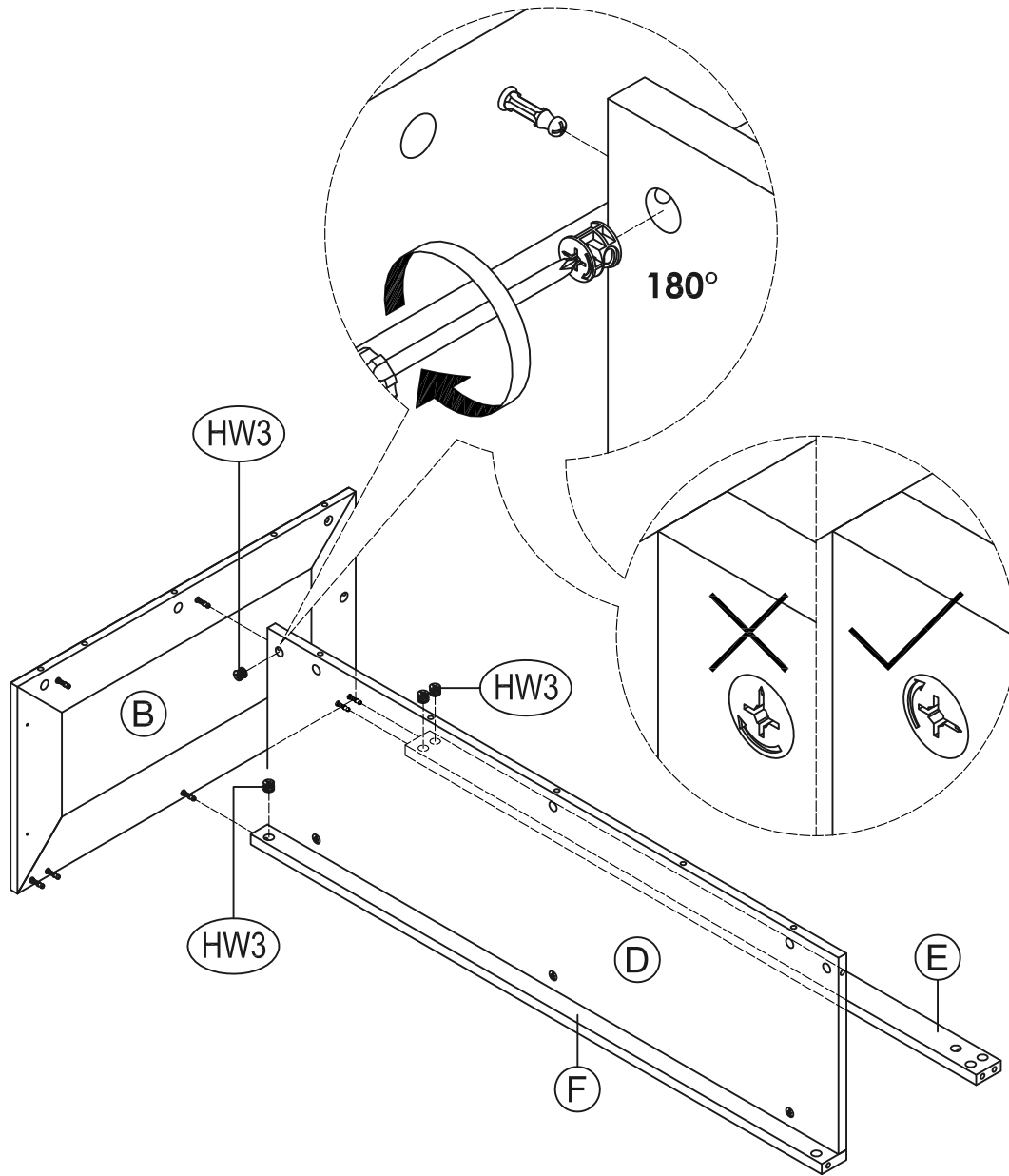
WEIGHT CAPACITY: 100 LBS
WARNING: DO NOT STAND ON THE CONSOLE TABLE
WARNING: DO NOT OVER TORQUE BOLTS/SCREWS

PIECE	DESCRIPTION	PICTURE	QUANTITY
HW1	ROUND HEAD SCREW 3 x 1 x 16 MM		16X
HW2	CAMBOLT		40X
HW3	CAMLOCK		40X
HW4	PLATE SUPPORT		8X
HW5	DOWEL		16X

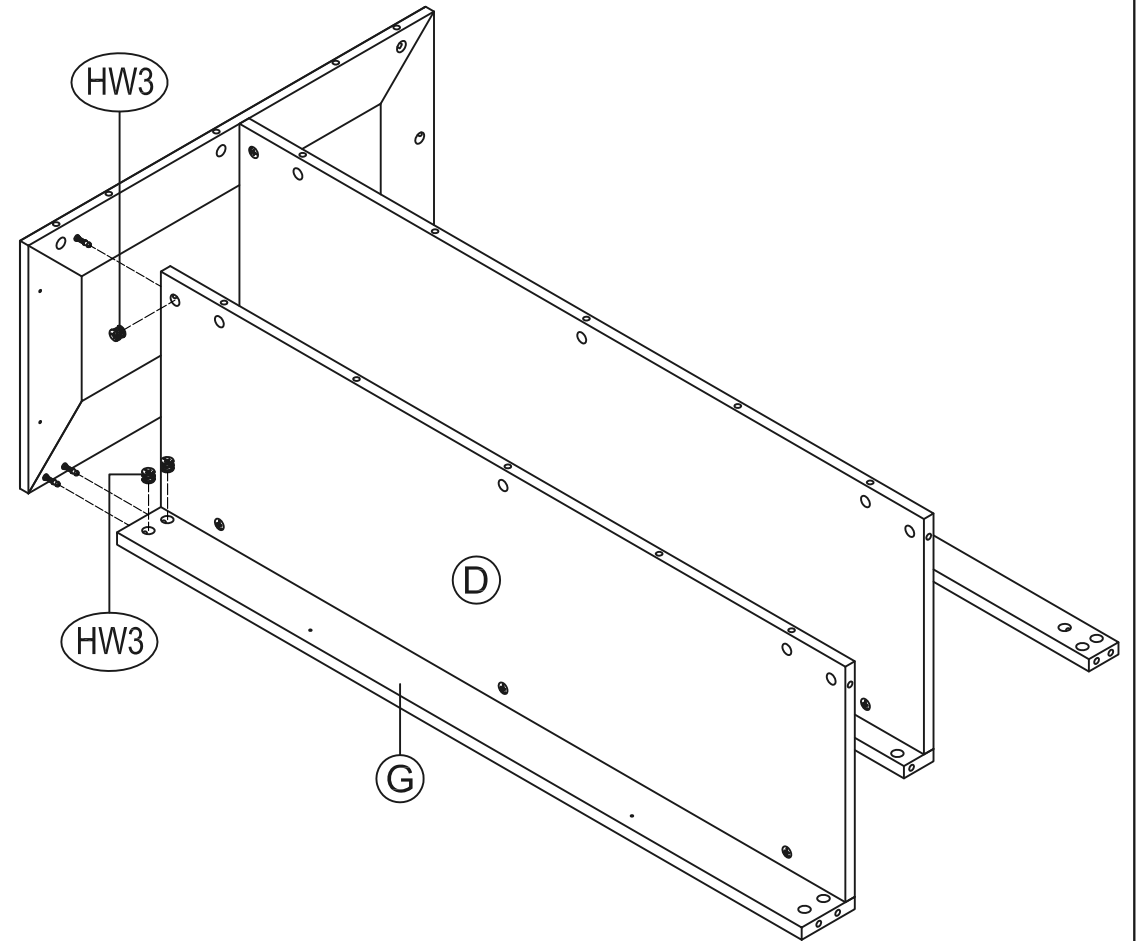
PREPARATION

- * Before beginning assembly of product, make sure all parts are present. Compare parts with part contents list and hardware contents list.
- * If any part is missing or damaged, do not attempt to assemble the product.
- * Estimated Assembly Time: 60 minutes.
- * Tools Required for Assembly : Phillips Screwdriver (not included).

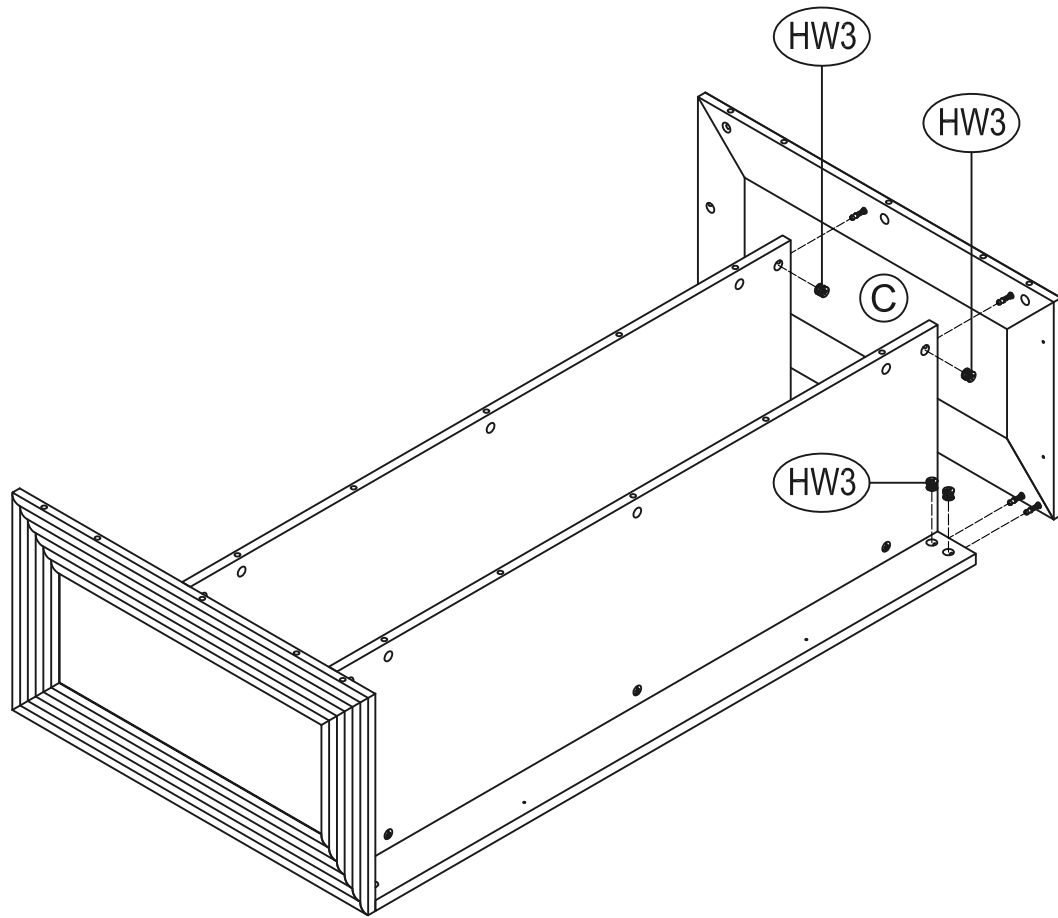




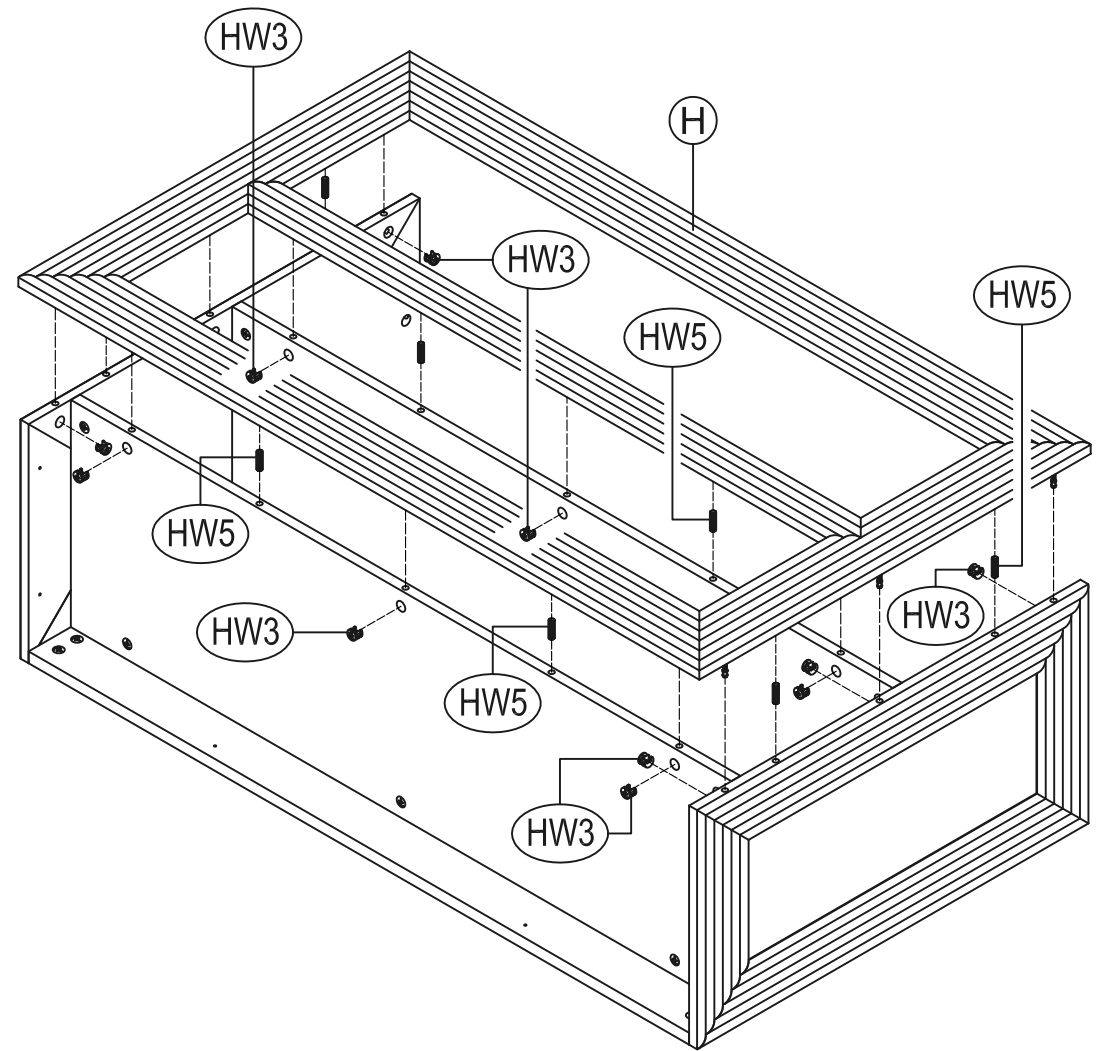
STEP 3 ATTACH TOP RAIL (E), SHELF ASSEMBLY (D) AND (F) TO LEFT PANEL (B) USING CAMLOCKS (HW3).



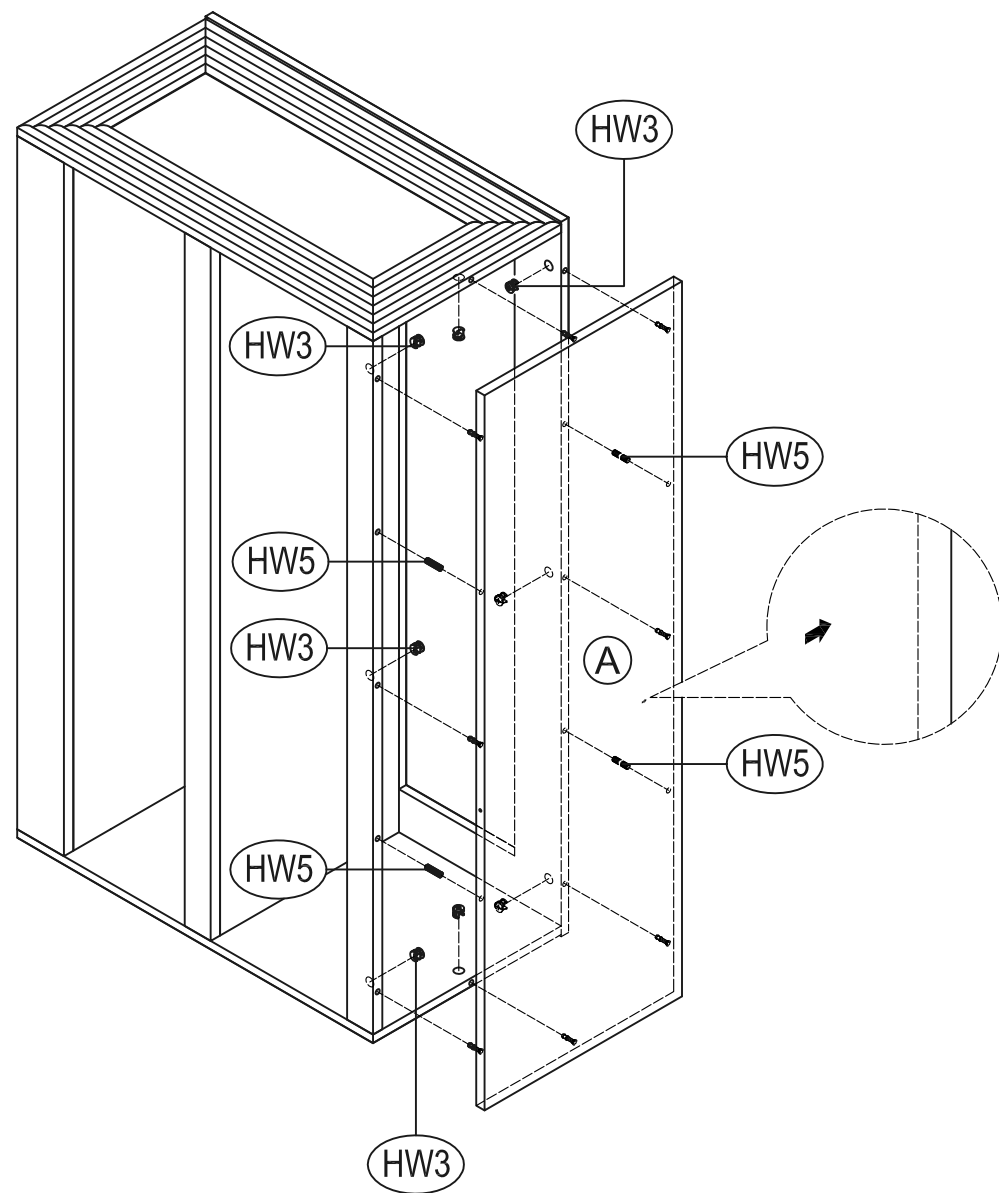
STEP 4 ATTACH SHELF ASSEMBLY (D) AND (G) TO UNIT USING CAMLOCKS (HW3).



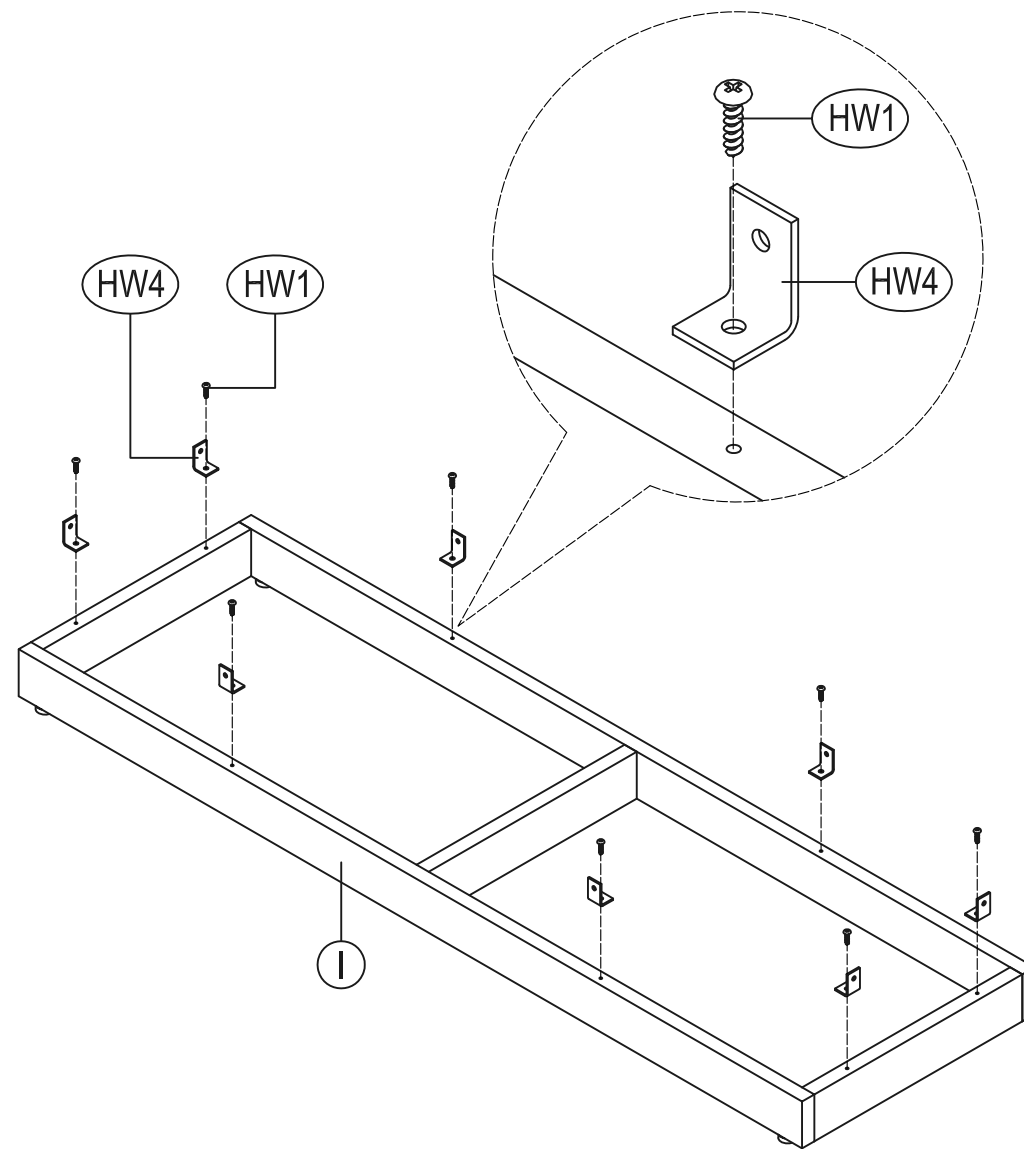
STEP 5 ATTACH RIGHT PANEL (C) TO UNIT USING CAMLOCKS (HW3).



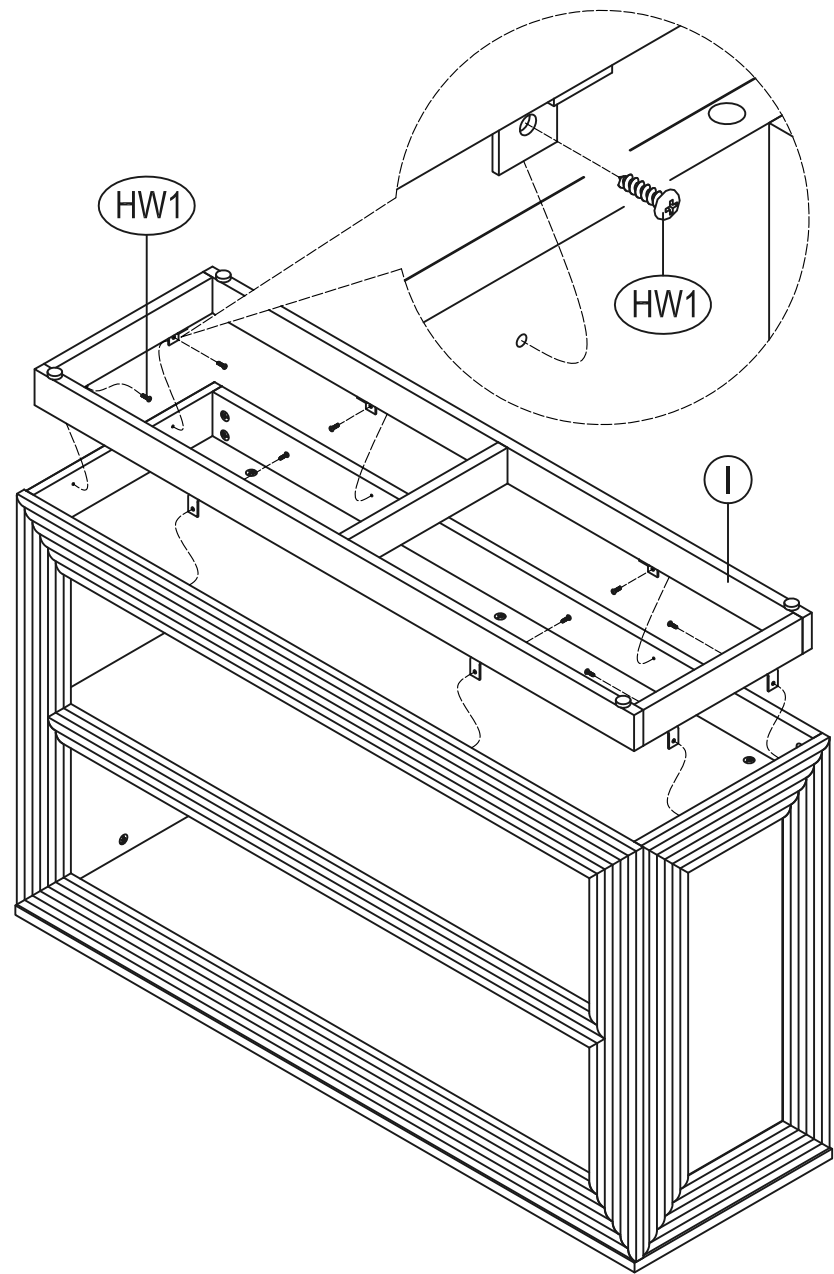
STEP 6 ATTACH FRONT FRAME (H) TO UNIT USING CAMLOCKS (HW3) AND DOWELS (HW5).



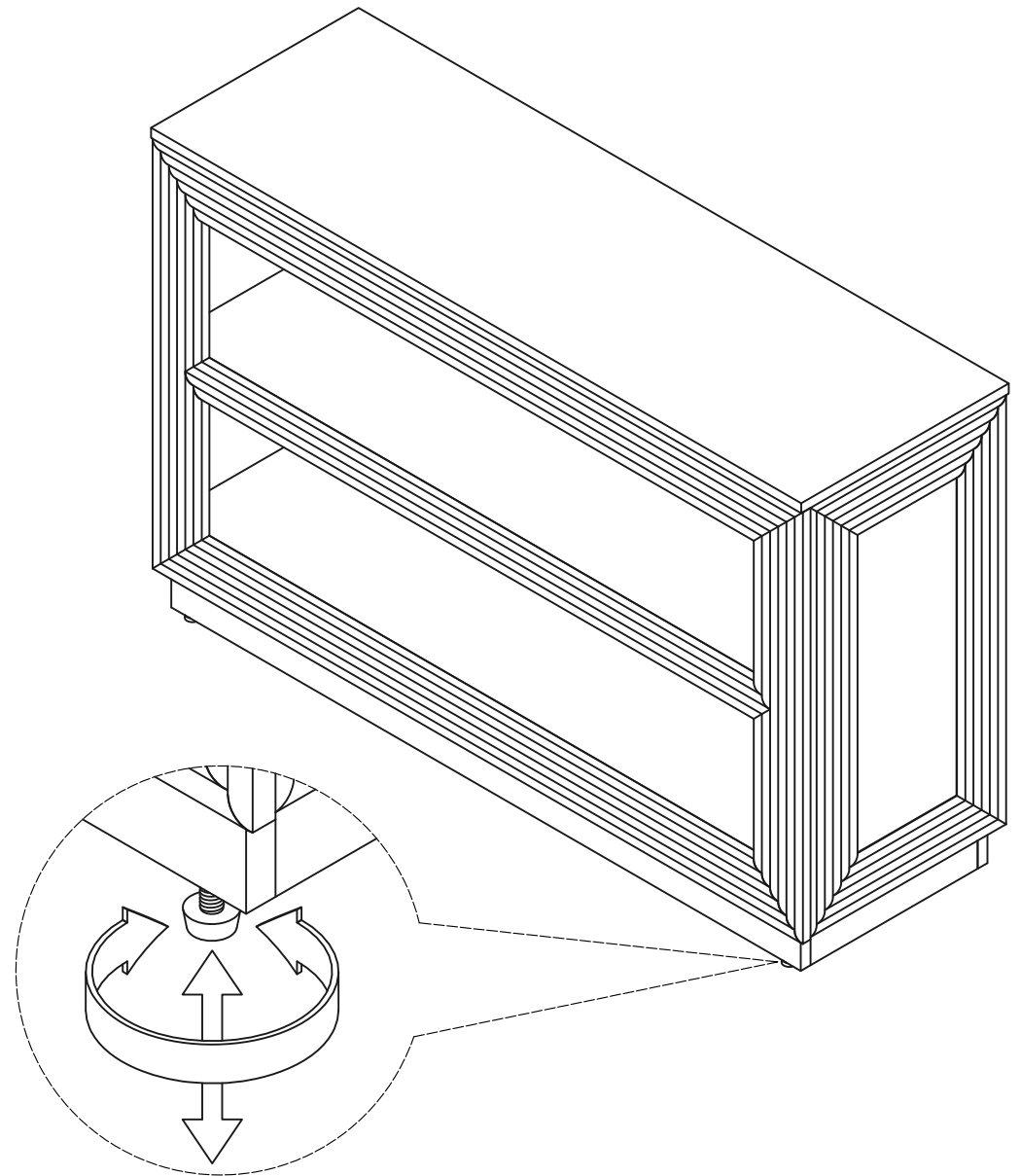
STEP 7 ATTACH TOP PANEL (A) TO UNIT USING CAMLOCKS (HW3) AND DOWELS (HW5).



STEP 8 ATTACH PLATE SUPPORTS (HW4) TO BASE FRAME (I) USING ROUND HEAD SCREWS 16MM (HW1).



STEP 9 ATTACH BASE FRAME (I) TO UNIT USING ROUND HEAD SCREWS 16MM (HW1).



STEP 10 ADJUST THE ADJUSTER THAT HAS ALREADY BEEN ASSEMBLED TO THE LEGS TO STABILIZE YOUR UNIT.