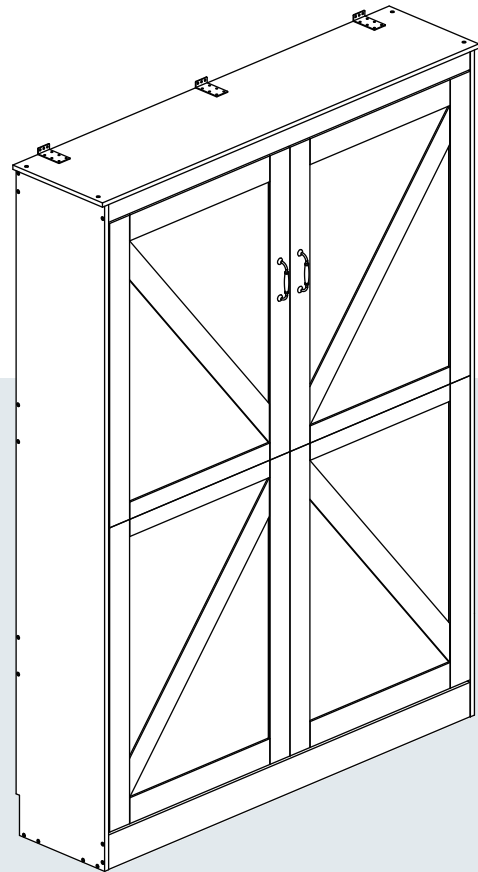


Murphy Bed

Assembly Instruction - Please keep properly for future reference.

If you find any missing boxes, damaged parts, or accessory shortages, please contact the customer service team of your purchasing channel immediately. We will resolve the issue as quickly as possible.



Arrive in 2 separate boxes and may not be part of the same shipment;
Please install the product after receiving all the packages.

Dimensions

Width-66.1 inch
Depth-15.7 inch
Height-91.9 inch

CONTACT US

- **Email: service@grandtunnel.com**
In order to receive assistance more quickly, please provide

THE FOLLOWING INFORMATION:

- Order number
- Purchase platform
- Purchase date
- Detailed description of the issue along with photos (if applicable)

Important – Please read these instructions carefully before starting the installation.

EN

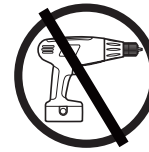


Safety and Care Advice

Important – Please read these instructions fully before starting assembly

- Check you have all the components and tools listed on the following pages.
- Remove all fittings from the plastic bags and separate them into their groups.
- Keep children and animals away from the work area, small parts could choke if swallowed.
- Make sure you have enough space to layout the parts before starting.

- During assembly do not stand or put weight on the product, this could cause damage.
- Assemble the item as close to its final position (in the same room) as possible.
- Assemble on a soft level surface to avoid damaging the unit or your floor.
- Parts of the assembly will be easier with 2 people.



- To reduce the likelihood of damaging your product please ensure that your power drill is set on a low torque setting.

Care and maintenance

- Only clean using a damp cloth and mild detergent, do not use bleach or abrasive cleaners.
- From time to time check that there are no loose screws on this unit.
- This product should not be discarded with household waste. Take to your local authority waste disposal centre.

Handy Hints

- Assemble all parts and bolts loosely during assembly, only once the product is complete should you fully tighten the bolts
- Regularly check and ensure that all bolts and fittings are tightend properly .

WARNING In order to help prevent overturning – please follow these instructions

To help prevent product toppling over please follow the below steps:-

Use the anti tip stap or wall fixing method provided (if applicable)
Do not allow children to climb or hang on the furniture
Do not open more than one drawer at a time
Do not place heavy items in the top drawers
Do not place heavy items on top of the furniture, unless the furniture has been designed for this purpose

Please note that only the anti tip strap is provided.
You will need to provide wall plugs and screws applicable for your wall type



Safety Instructions / Warnings

Please read and follow all instructions carefully before installation and use.

- **WARNING: Risk of electric shock – Do not open or disassemble electrical parts.**
- Use only the power cord specifically provided for this product. Plug rating: 125V, 12A, 60Hz, 1500W. USB output: DC 5V / Max 2.1A.
- Do not use with damaged power cords or plugs.
- Keep power cables away from moving or sharp parts of the furniture.
- Do not use extension cords or power strips unless specifically approved for the load.
- This product is **not a toy**. Do not allow children to play with electrical components or moving parts.
- Children under 8 years old must be kept away from the furniture unless continuously supervised.
- Keep remote controls, control switches, and ports **out of children's reach**.
- Always **disconnect the product from power** before cleaning, maintenance, or relocation.
- Do not attempt to open, modify, or repair electrical components.
- **Repairs must be performed by qualified professionals only.**
- Do not insert any foreign objects into openings or mechanisms.
- Clean with a dry cloth or a slightly damp soft cloth. Do not use solvents.
- This product is intended for **indoor use only** in dry environments.
- Do not expose the furniture to moisture, liquids, or direct sunlight.
- Ensure stability and clearance around any moving parts (e.g., lift mechanisms, recliners).
- Do not overload power outlets or USB ports beyond the specified ratings.

FCC Information

CAUTION: Changes or modifications not expressly approved by the party responsible for compliance could void the user's authority to operate the equipment!

This device complies with Part 15 of the FCC Rules. Operation is subject to the following two conditions:

1. This product may cause harmful interference.
2. This product must accept any interference received, including interference that may cause undesired operation.

WARNING: Changes or modifications to this product not expressly approved by the party responsible for compliance could void the user's authority to operate the product.

Note: This product has been tested and found to comply with the limits for a Class B digital device pursuant to Part 15 of the FCC Rules, These limits are designed to provide reasonable protection against harmful interference in a residential installation.

This product generates, uses and can radiate radio frequency energy, and if not installed and used in accordance with the instructions, may cause harmful interference to radio communications. However, there is no guarantee that interference will not occur in a particular installation. If this product does cause harmful interference to radio or television reception, which can be determined by turning the product off and on, the user is encouraged to try to correct the interference by one or more of the following measures.

- Reorient or relocate the receiving antenna.
- Increase the distance between the product and receiver.
- Connect the product to an outlet on a circuit different from that to which the receiver is connected.
- Consult the dealer or an experienced radio/TV technician for assistance.

CUSTOMER SERVICE GUIDE

Thank you for choosing our product! We are committed to providing you with excellent service. If you find any missing parts, damaged packaging, or product damage after receiving all packages, please follow the steps below to quickly contact our customer service team. We will do our best to resolve your issue.

1. Missing Parts

Verify Parts:

1. Refer to the “Parts List” in the manual to verify the name, specifications, and quantity of the missing parts.
2. Take a clear photo of the parts list and mark the missing parts with detailed information, e.g., “Missing 5 pieces of M6x30mm screws.”

Contact Us:

· By Email:

Send an email to service@grandtunnel.com, with the subject line “Missing Parts Issue.” Include the following in the email:

- A description of the missing parts and a photo of the parts list.
- Order details (order number, purchase platform, purchase date).

2. Product or Packaging Damage

If it affects normal use:

Steps:

1. Take clear photos or videos showing the damaged parts and the extent of the damage (multi-angle shots are recommended).
2. Email the photos/videos along with other details to service@grandtunnel.com, with the subject line “Product Damage Issue.”

Resolution:

After verification, we will arrange for a replacement part, product exchange, or refund as quickly as possible.

If it does not affect normal use:

Steps:

1. Contact our customer service team (by email: service@grandtunnel.com).
2. Provide a description of the damage and include relevant photos or videos.

Resolution:

We will provide repair guidance or an appropriate compensation plan based on the specific situation.

Contact Us:

- Customer Service Email: service@grandtunnel.com

Helpful Tips

To process your issue efficiently, please prepare the following information:

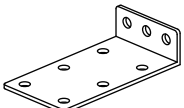
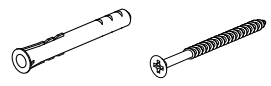
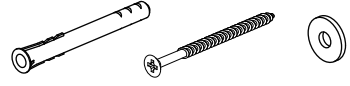
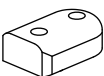



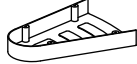
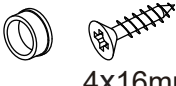

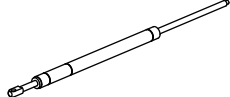


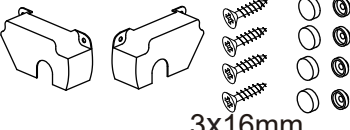

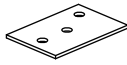
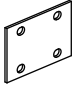
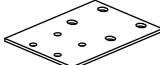

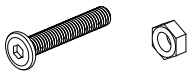
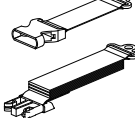

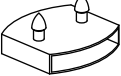

- Order details (order number, purchase platform, purchase date).
- Clear photos or videos.
- We are committed to providing quick and professional solutions, no matter the size of the issue, to ensure your satisfaction.

Thank you for your trust and support! We hope you enjoy using our product!

Parts List - Fittings(in Box 1)

Please check you have all the fittings listed below

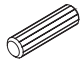
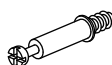

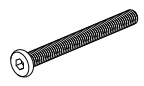
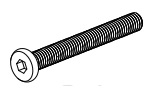

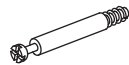


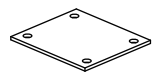
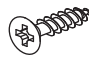
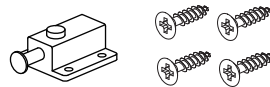
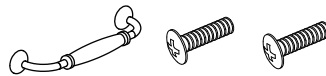
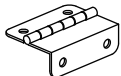
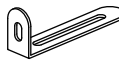
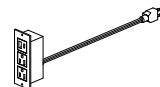



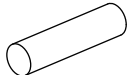
Note: The quantities below are the correct amount to complete the assembly. In some cases more fittings may be supplied are required.

A  x 3	B  x 3 8x65mm 5x75mm	C  x 2 8x80mm 5x90mm
D  x 2  4x25mm	E  x 1 E1 E2 E3	F  x 4 3x16mm
G  x 2	H  x 8 4x16mm	I  4.8x20mm Screw x 20
J  x 2	K  5x75mm Screw x 14	L  x 8 4x16mm 4x10mm
M  x 1 3x16mm	N  x 2	O  x 2
P  x 1	Q  x 1	R  8x16mm Bolt x 8
S  8x45mm Bolt x 8	T  x 2 T1 T2	U  x 30
V  x 15	W  x 3	

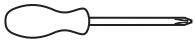
Parts List - Fittings(in Box 2)

Please check you have all the fittings listed below

Note: The quantities below are the correct amount to complete the assembly. In some cases more fittings may be supplied are required.

X  8x30mm Wooden Dowel x 35	Y  6x35mm Cam Bolt x 12	Z  Cam Lock x 15
a  6x70mm Bolt x 10	b  6x50mm Bolt x 30	d  x 33
e  6.5x60mm Cam Bolt x 3	f  x 15 2.5x12mm	g  4x14mm Screw x32
h  x 4	i  3*12mm Screw x14	j  x 1 4x14mm
m  x 2 4x20mm	n  x 3	q  x 2
r  x 1	t  x 1	u  x 1
v  x 26	y  x 2	

Tools required



Phillips screwdriver
(medium & large)

Ruler - Use this ruler to help correctly identify the screws

mm

0 5 10 15 20 25 30 35 40 45 50 55 60 65 70 75 80 85 90 95 100 105 110 115 120 125 130 135 140 145 150 155 160 165 170



The screws length is measured from the head to the point (30mm screw shown).

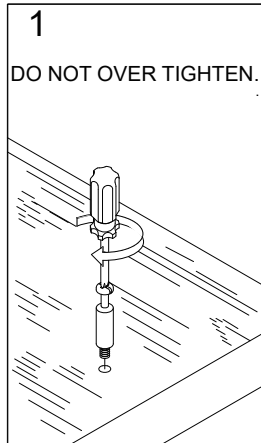
0 1 2 3

inch

Using Camlocks

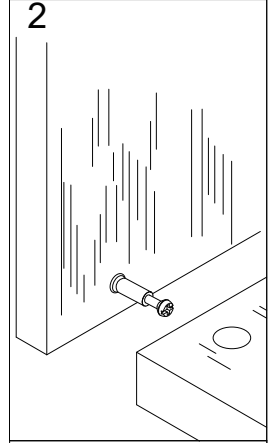
Step 1

Connect the male camlock as directed in the assembly instructions using a screwdriver.



Step 2

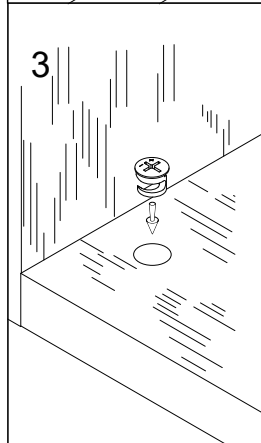
Push the male camlock into the entry hole.



Step 3

Insert the female camlock as shown in the instructions.

Note: ensure that the arrow on the top of the camlock points towards the entry hole for the male camlock.

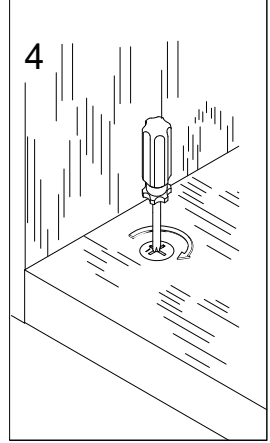


Step 4

Turn the female camlock clockwise with a screwdriver.

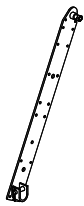
You should feel a click when the camlock is locked in place.

The joint is now secure.

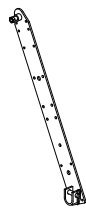


Parts List - Panels(Box 1)

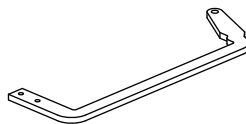
Please check you have all the panels listed below



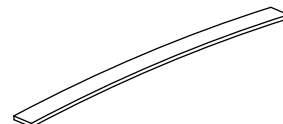
6 (498*50*4mm x1)



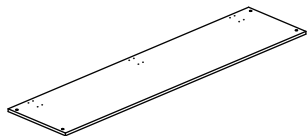
7 (498*50*4mm x1)



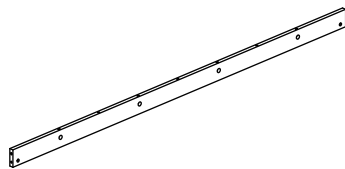
9 (373*114*8mm x2)



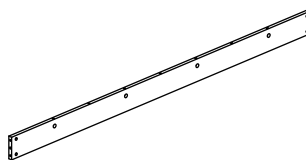
10 (760*53*9mm x10)



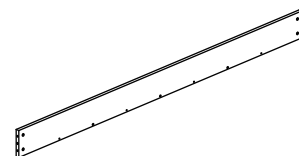
11 (1680*400*15mm x1)



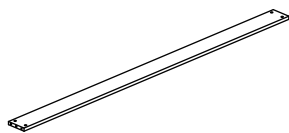
14 (1615*66*15mm x1)



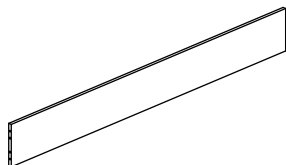
15 (1615*95*15mm x2)



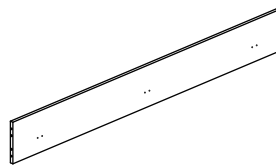
16 (1615*120*15mm x1)



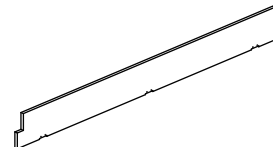
17 (1615*95*15mm x1)



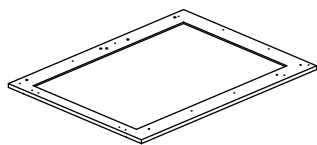
18 (1615*195*15mm x1)



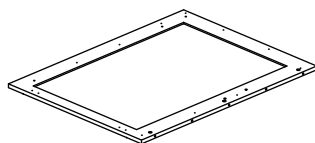
19 (1615*195*15mm x1)



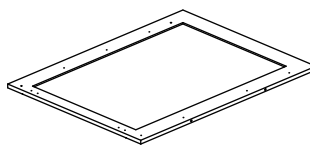
20 (1605*195*15mm x1)



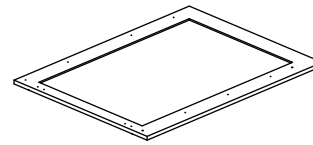
21 (1060*805*18mm x1)



22 (1060*805*18mm x1)



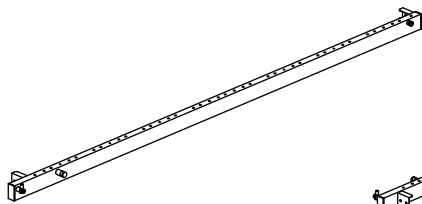
23 (1060*805*18mm x1)



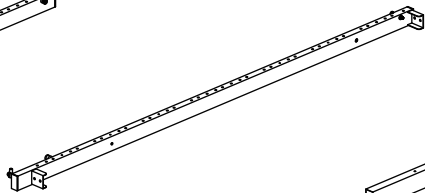
24 (1060*805*18mm x1)

Parts List - Panels(Box 2)

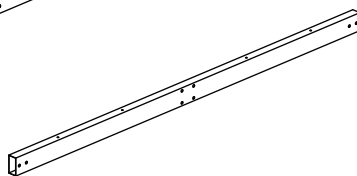
Please check you have all the panels listed below



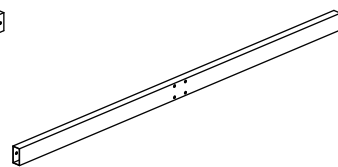
1 (2112*60*30mm x1)



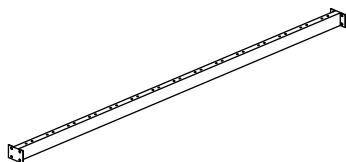
2 (2112*60*30mm x1)



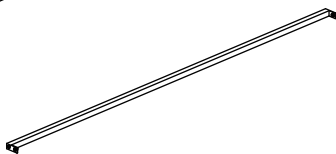
3 (1468*60*30mm x1)



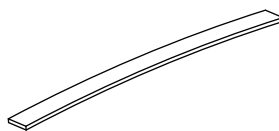
4 (1468*60*30mm x1)



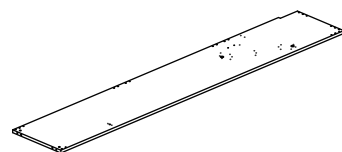
5 (1968*60*30mm x1)



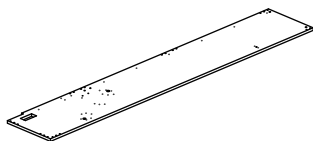
8 (1544*20*20mm x1)



10 (760*53*9mm x20)

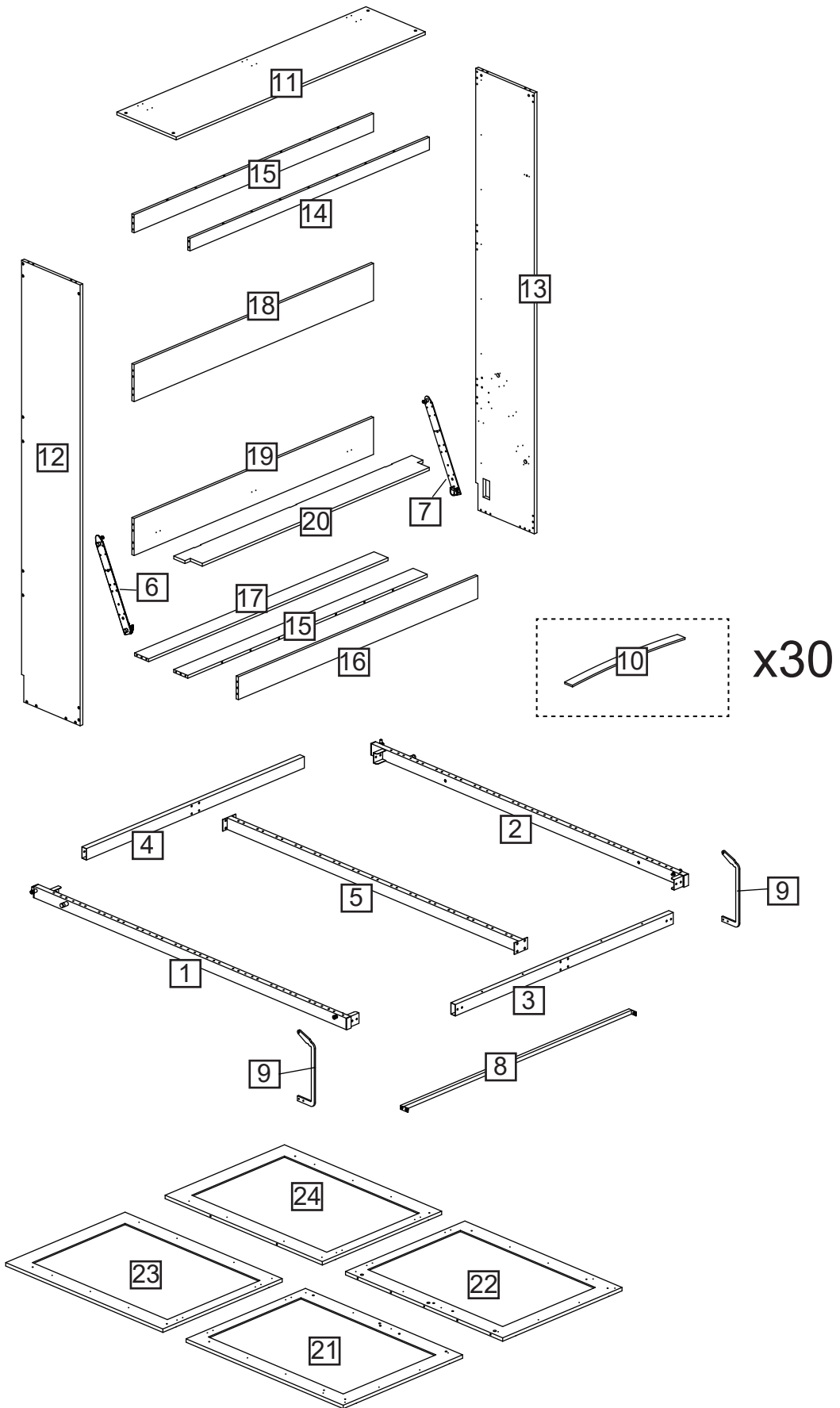


12 (2320*395*18mm x1)



13 (2320*395*18mm x1)

Assembly Instructions



Assembly Instructions

Step 1

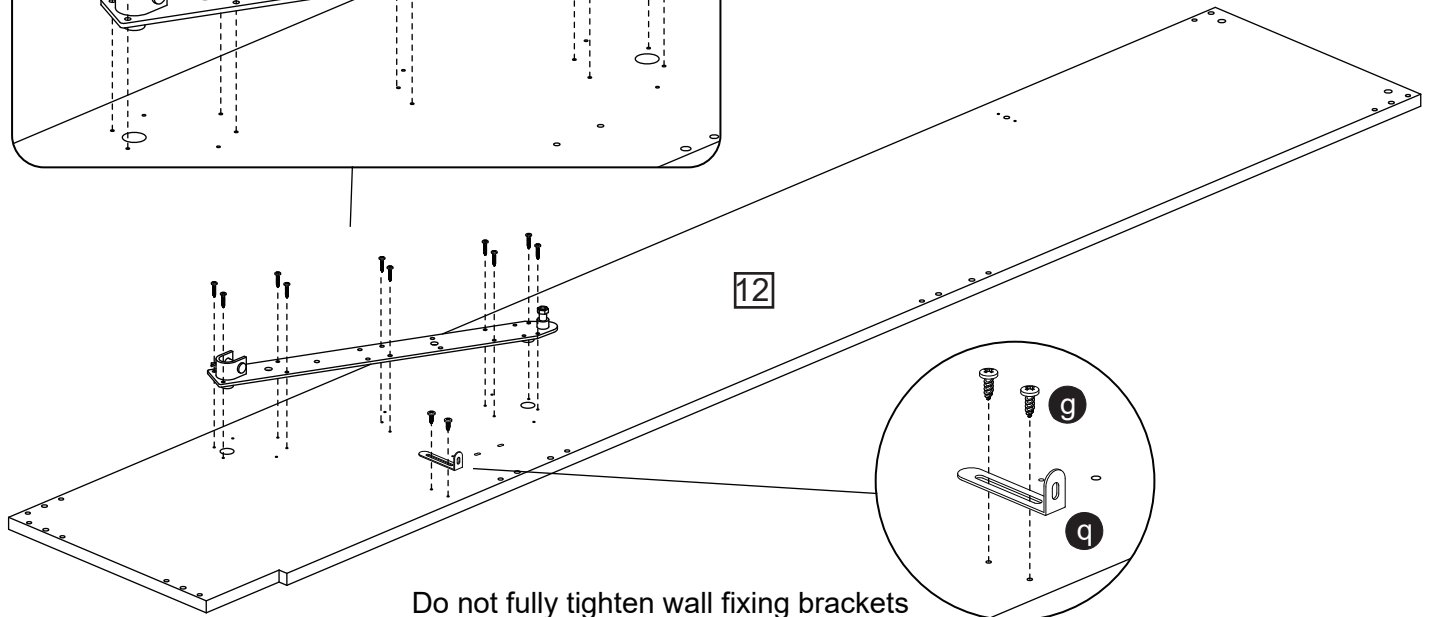
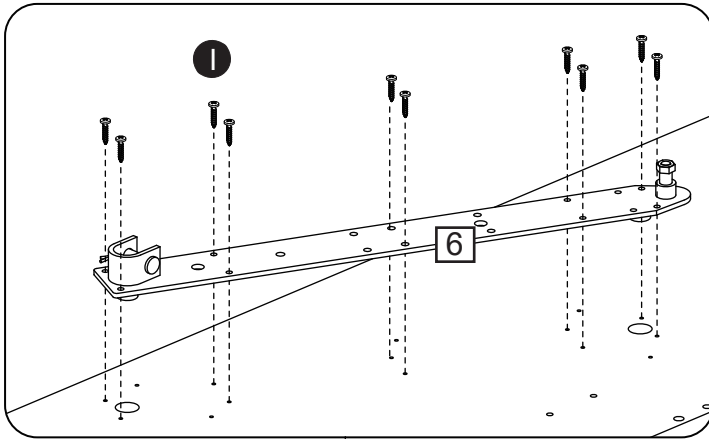
l x20



g x4

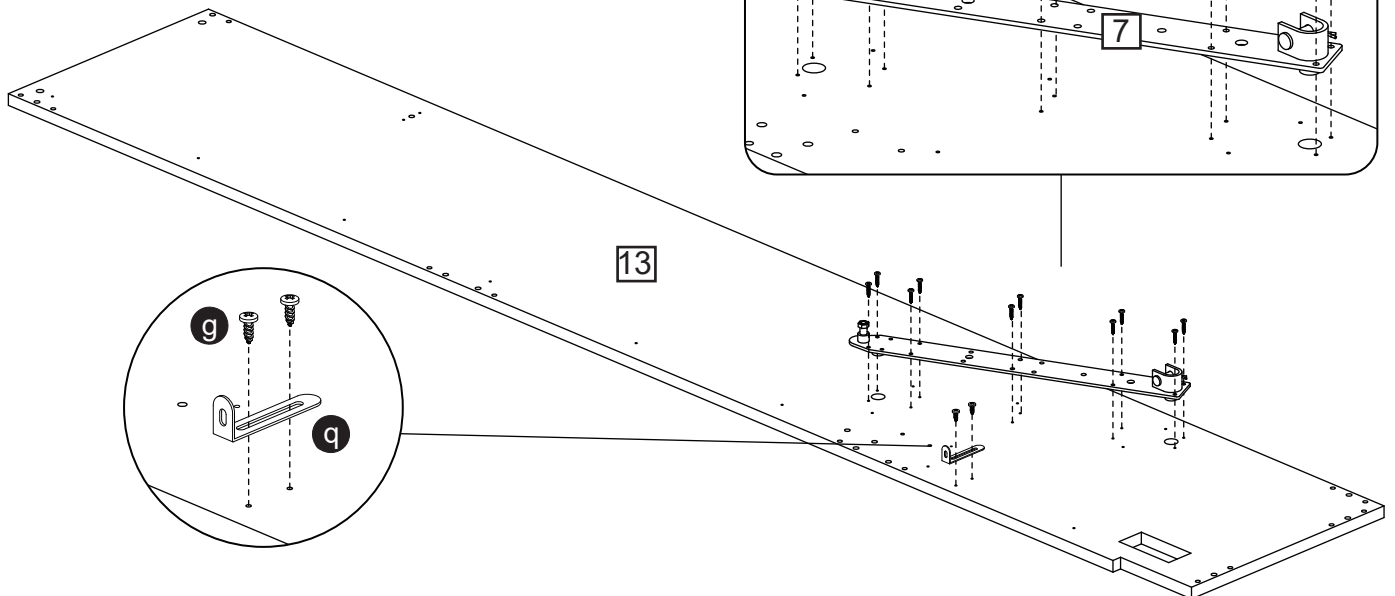
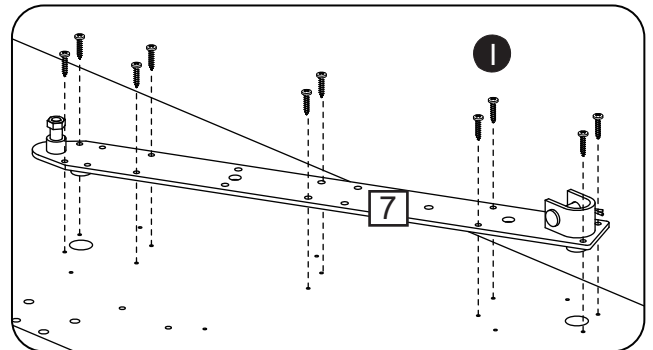


q x2



Do not fully tighten wall fixing brackets until it's ready to be fixed to the wall.

As shown, use screw (l) to attach part (6) to panel (12).
Use screw (g) to attach part (q) to panel (12).
Then use screw (l) to attach part (7) to panel (12),
and screw (g) to attach part (q).



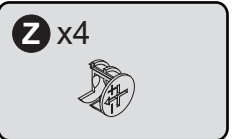
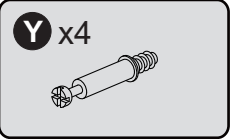
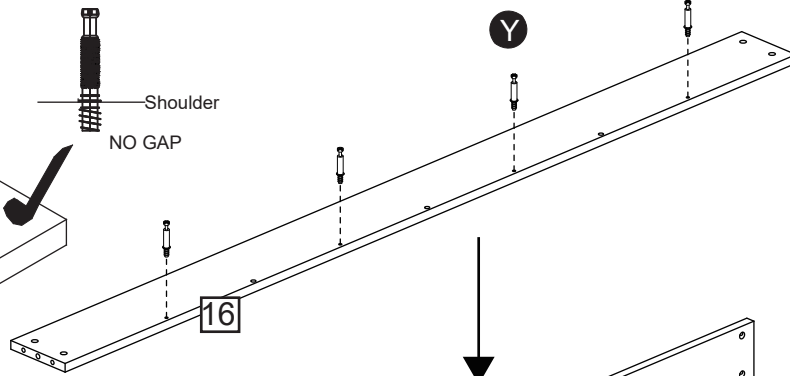
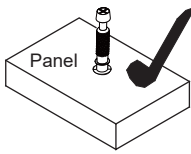
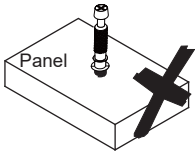
Assembly Instructions

Step 2

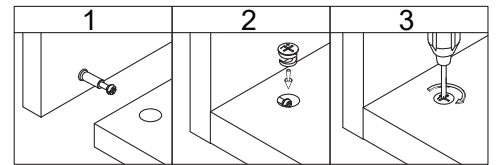
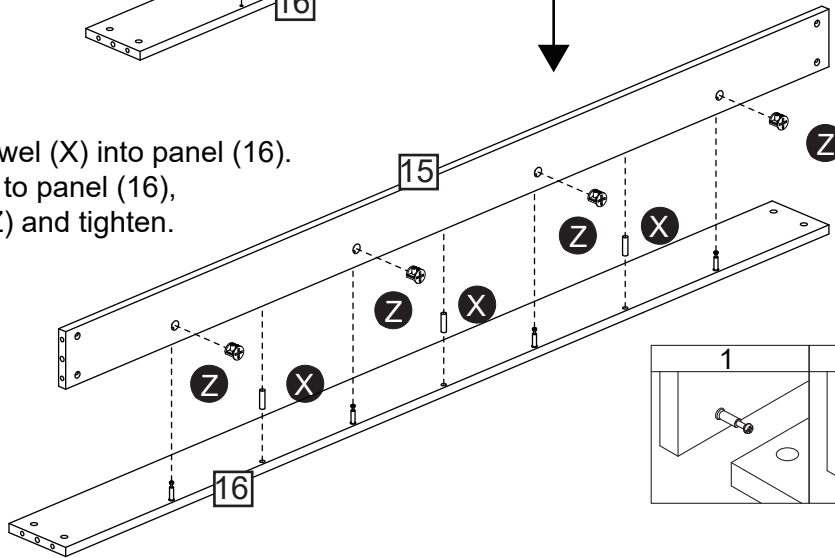
Install cam bolt (Y) into panel (16).

CAM-LOCK

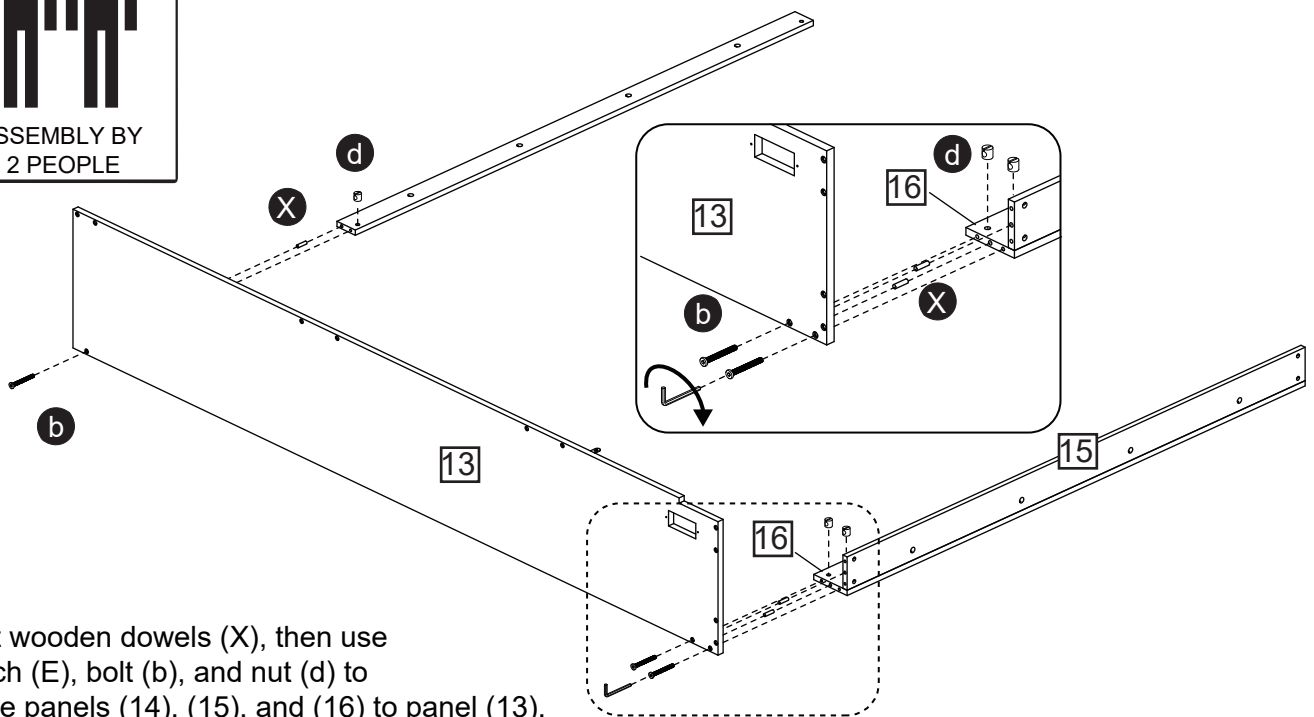
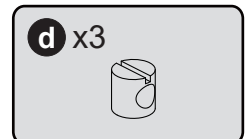
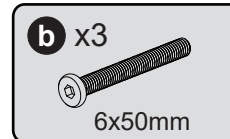
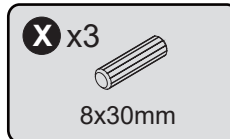
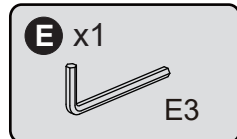
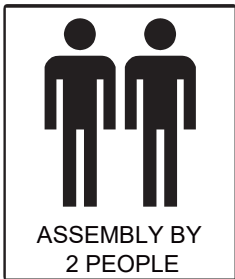
Tighten until shoulder is flush with panel. Do not overtighten or undertighten (see example below)



Insert wooden dowel (X) into panel (16). Attach panel (15) to panel (16), insert cam lock (Z) and tighten.



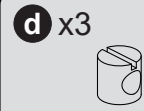
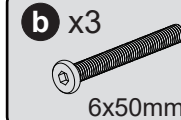
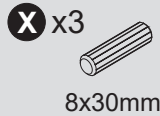
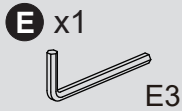
Step 3



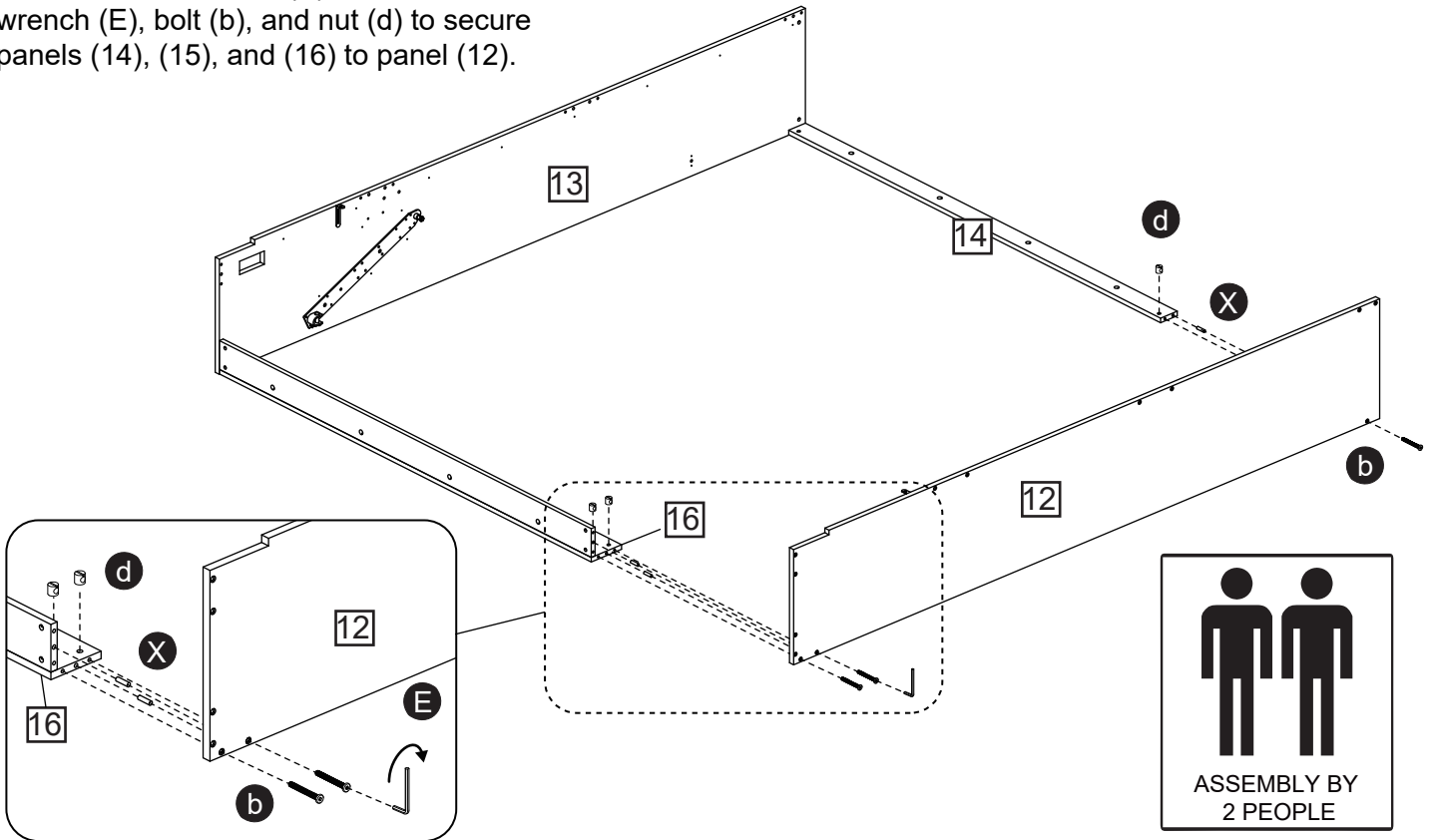
Insert wooden dowels (X), then use wrench (E), bolt (b), and nut (d) to secure panels (14), (15), and (16) to panel (13).

Assembly Instructions

Step 4

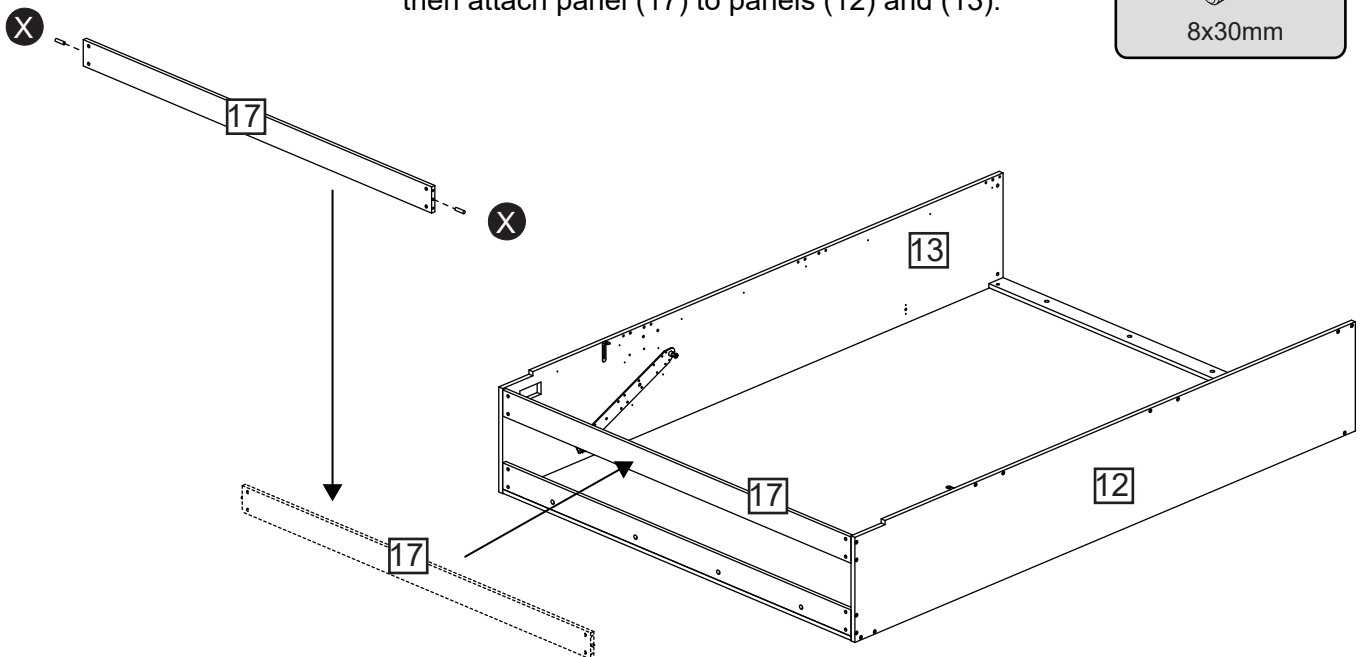
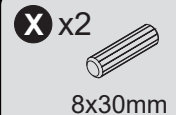


Insert wooden dowels (X), then use wrench (E), bolt (b), and nut (d) to secure panels (14), (15), and (16) to panel (12).



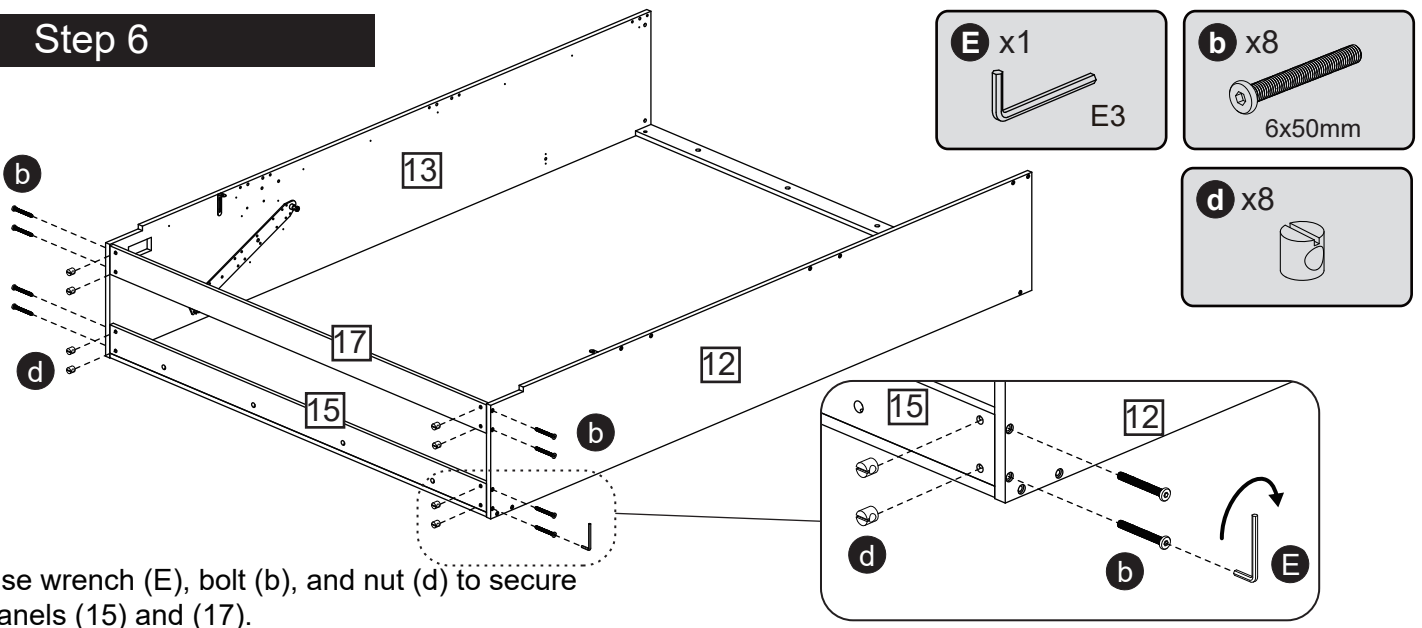
Step 5

Insert wooden dowels (X) into panel (17), then attach panel (17) to panels (12) and (13).



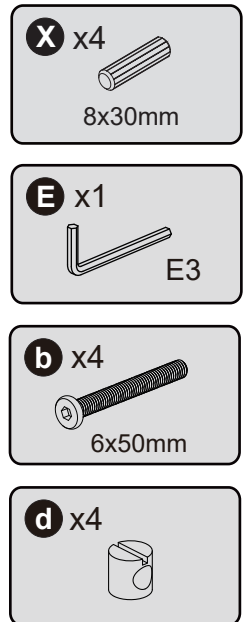
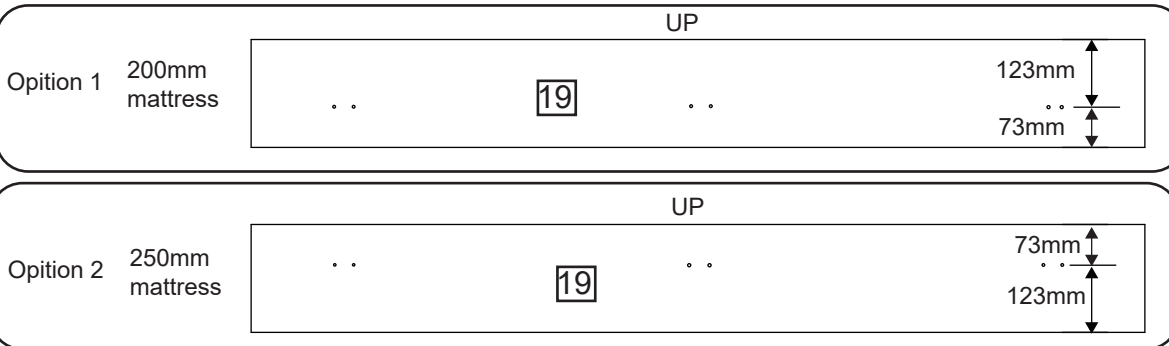
Assembly Instructions

Step 6

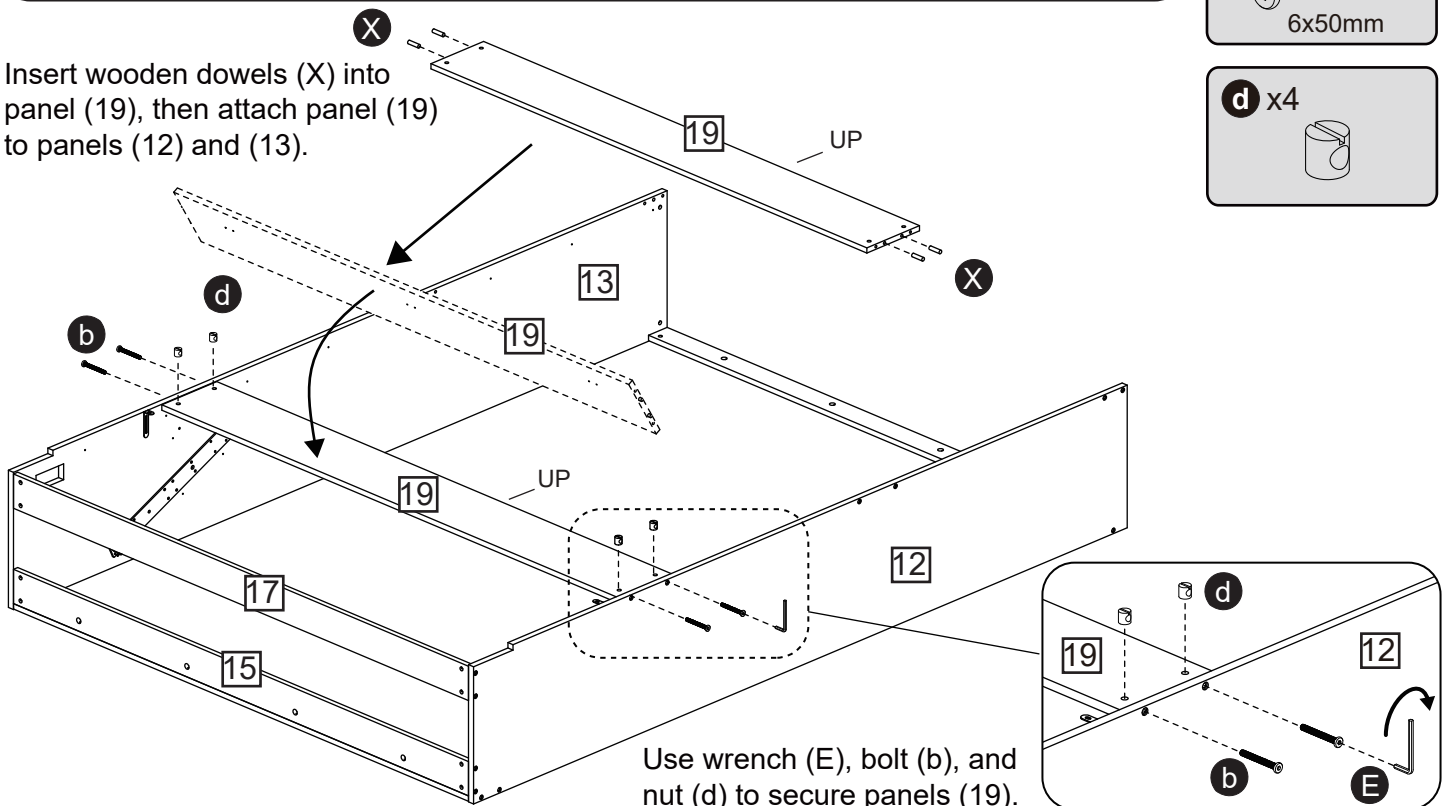


Step 7

Note: choose orientation based on 200 mm or 250 mm mattress thickness.

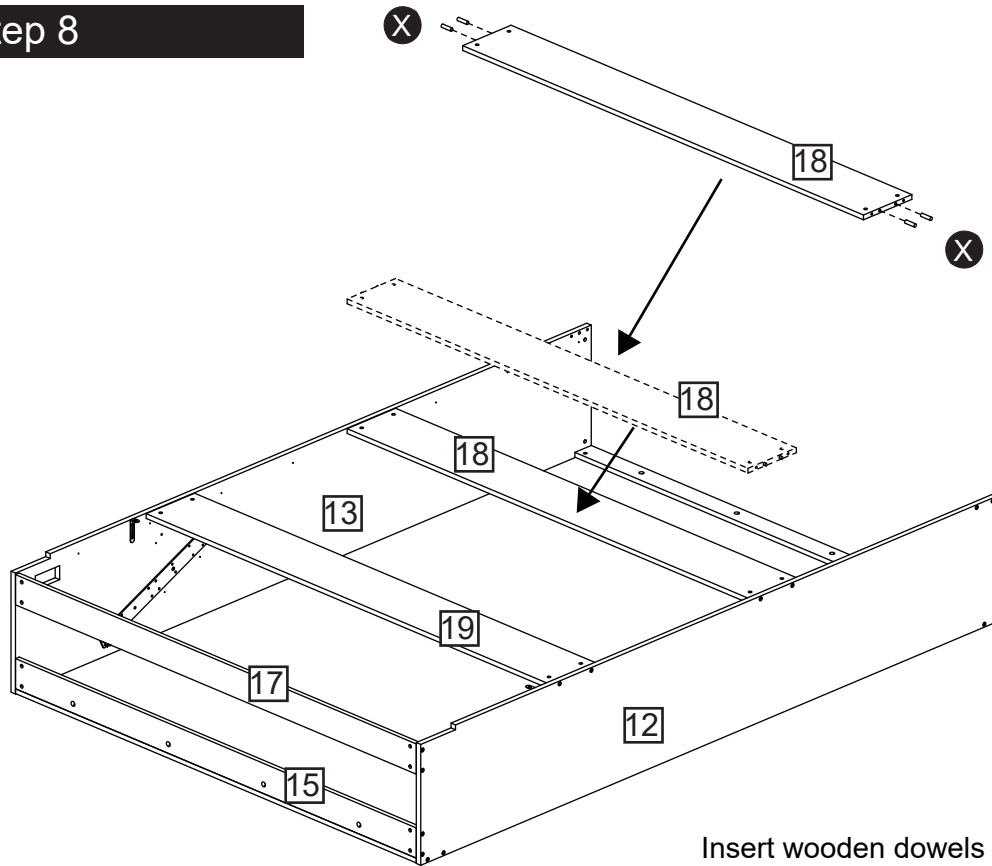


Insert wooden dowels (X) into panel (19), then attach panel (19) to panels (12) and (13).



Assembly Instructions

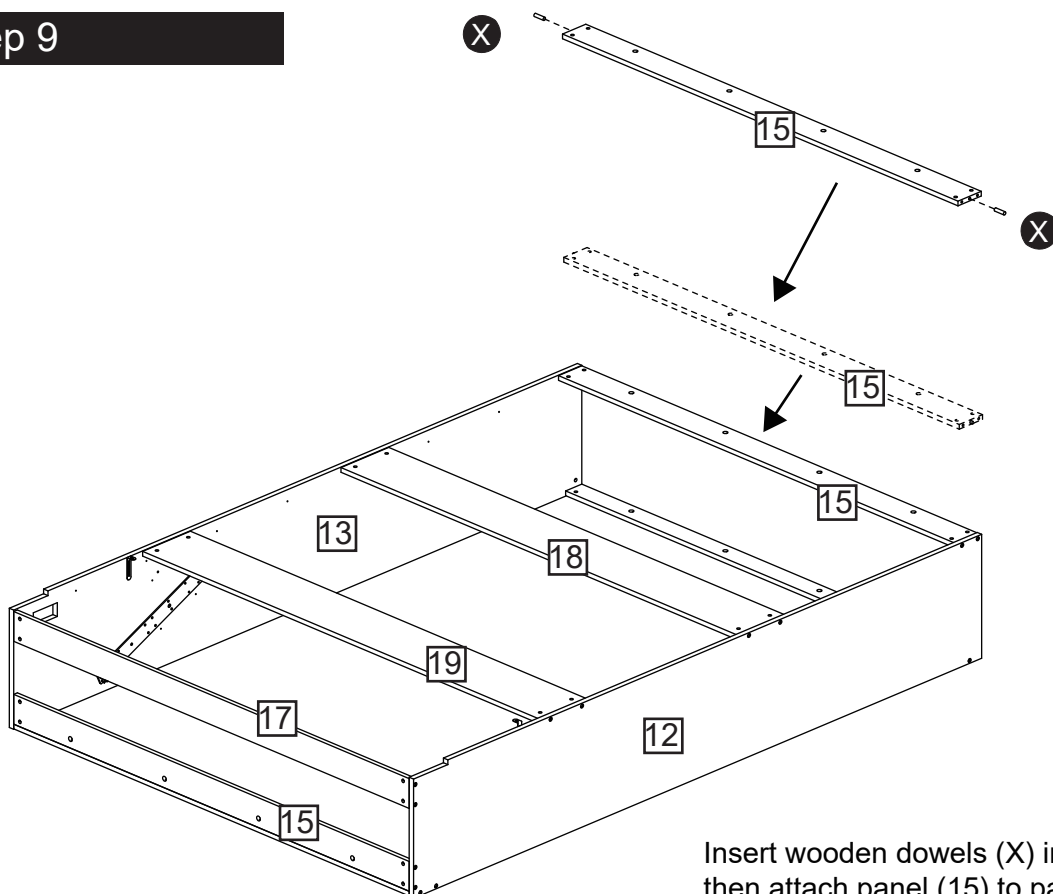
Step 8



X x4
8x30mm

Insert wooden dowels (X) into panel (18), then attach panel (18) to panels (12) and (13).

Step 9

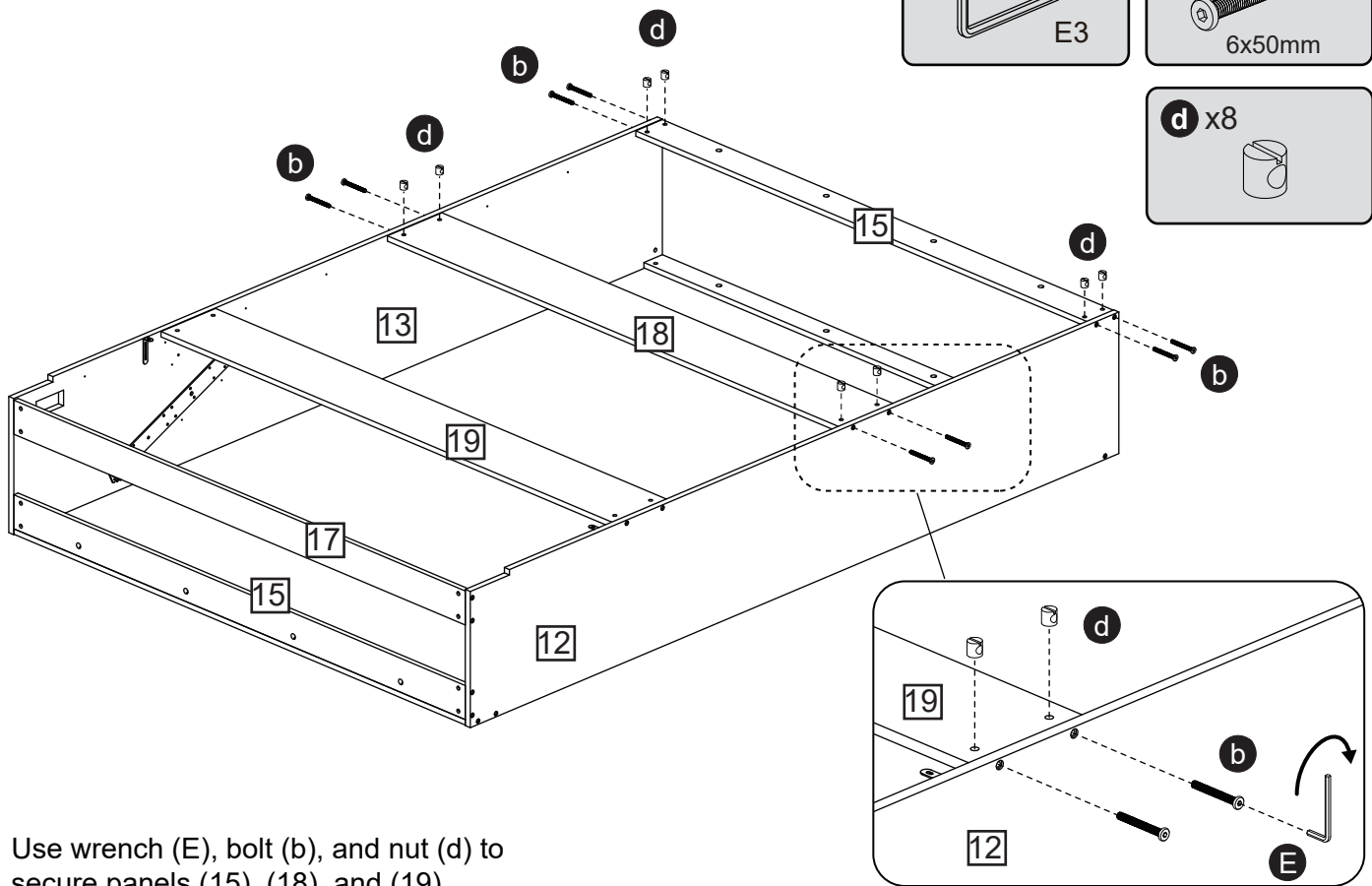
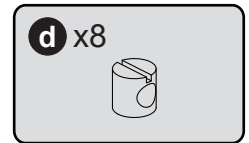
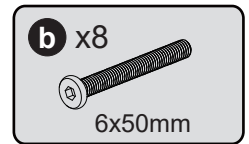
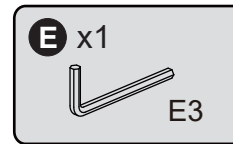


X x2
8x30mm

Insert wooden dowels (X) into panel (15), then attach panel (15) to panels (12) and (13).

Assembly Instructions

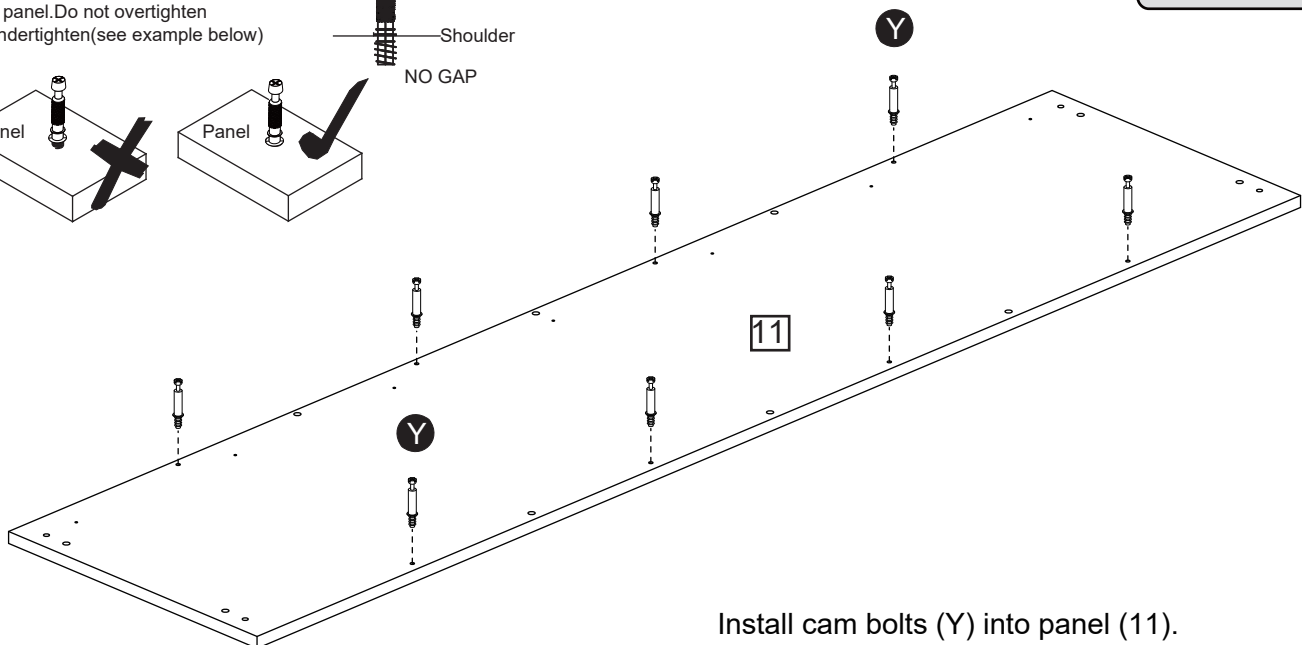
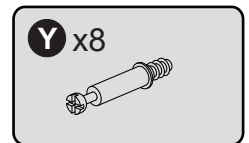
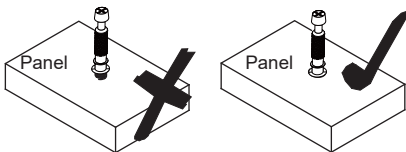
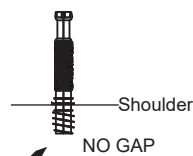
Step 10



Use wrench (E), bolt (b), and nut (d) to secure panels (15), (18), and (19).

Step 11

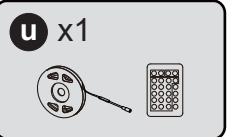
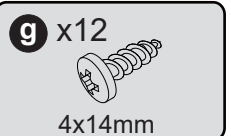
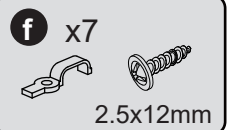
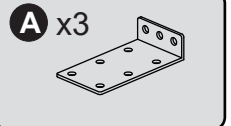
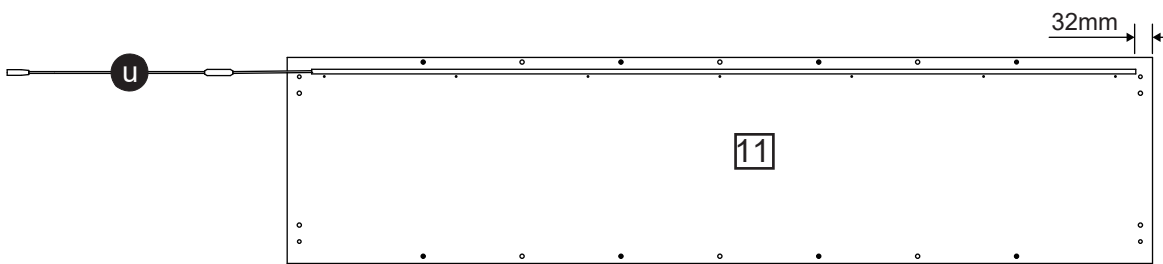
CAM-LOCK
Tighten until shoulder is flush with panel. Do not overtighten or undertighten (see example below)



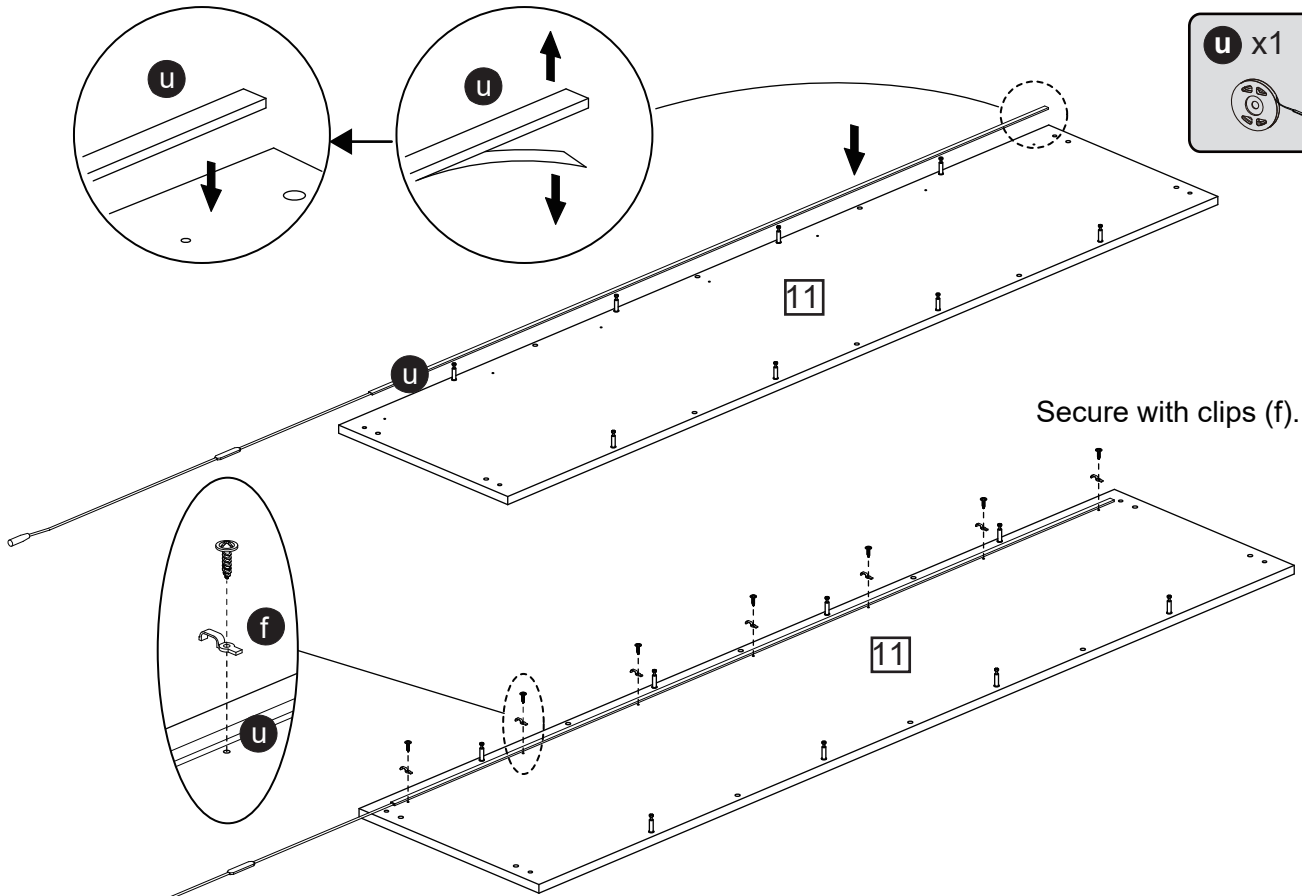
Install cam bolts (Y) into panel (11).

Assembly Instructions

Step 12

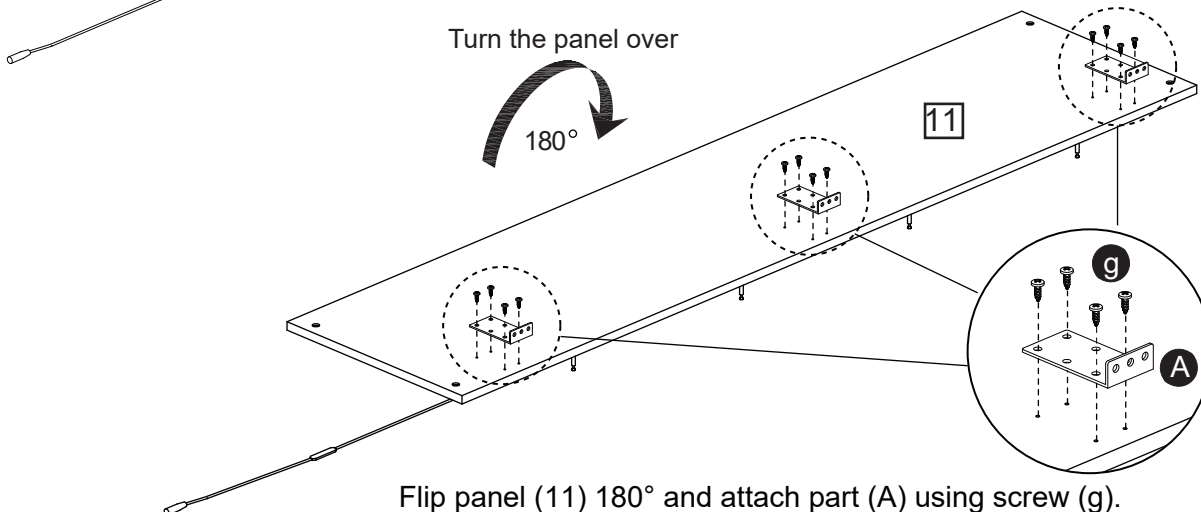


Peel off backing from LED strip (u) and attach to panel (11).



Turn the panel over

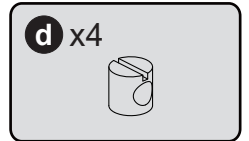
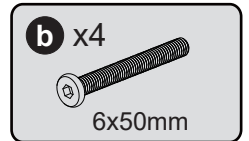
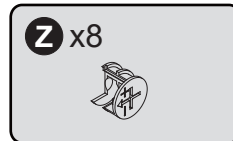
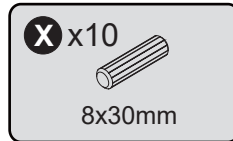
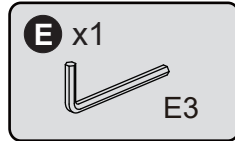
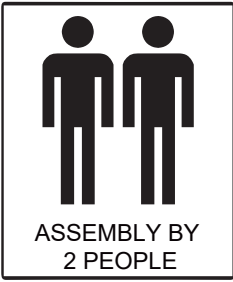
180°



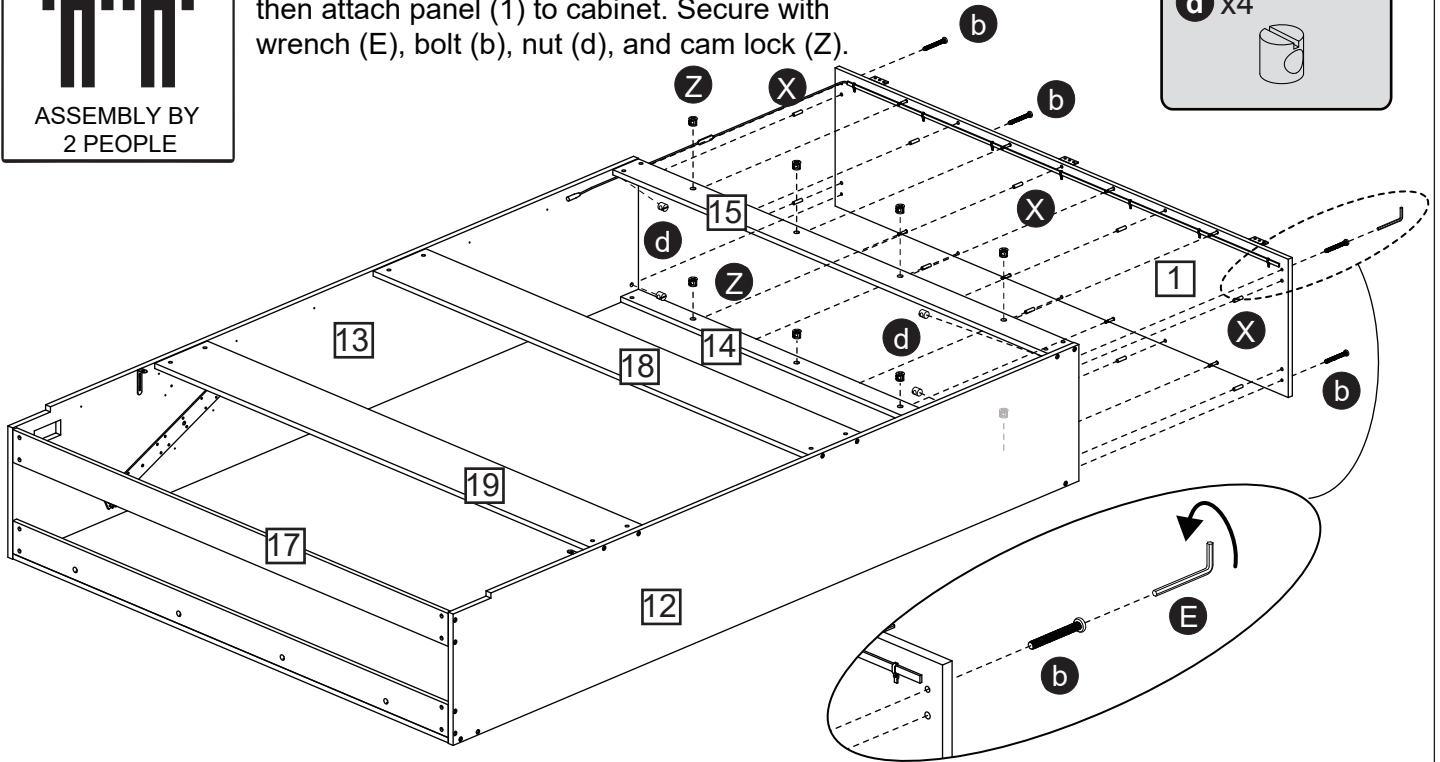
Flip panel (11) 180° and attach part (A) using screw (g).

Assembly Instructions

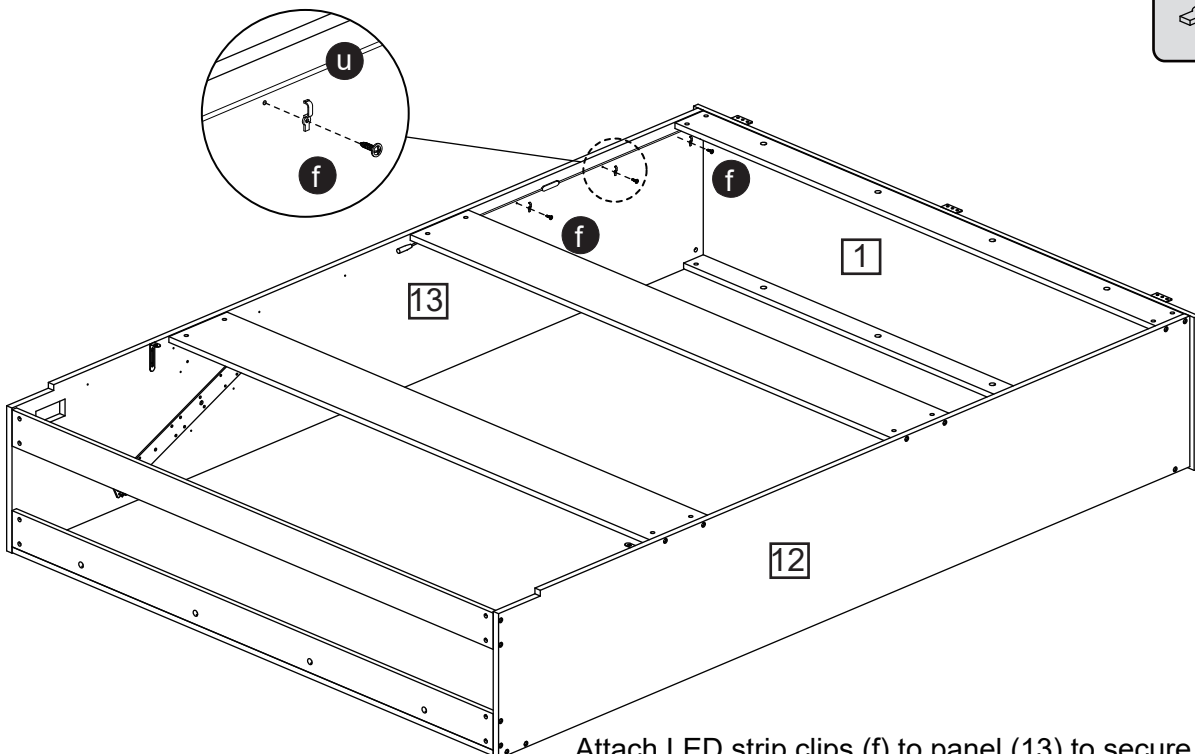
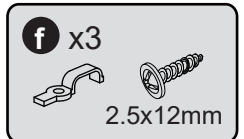
Step 13



Insert wooden dowels (X) into panels (14) and (15), then attach panel (1) to cabinet. Secure with wrench (E), bolt (b), nut (d), and cam lock (Z).



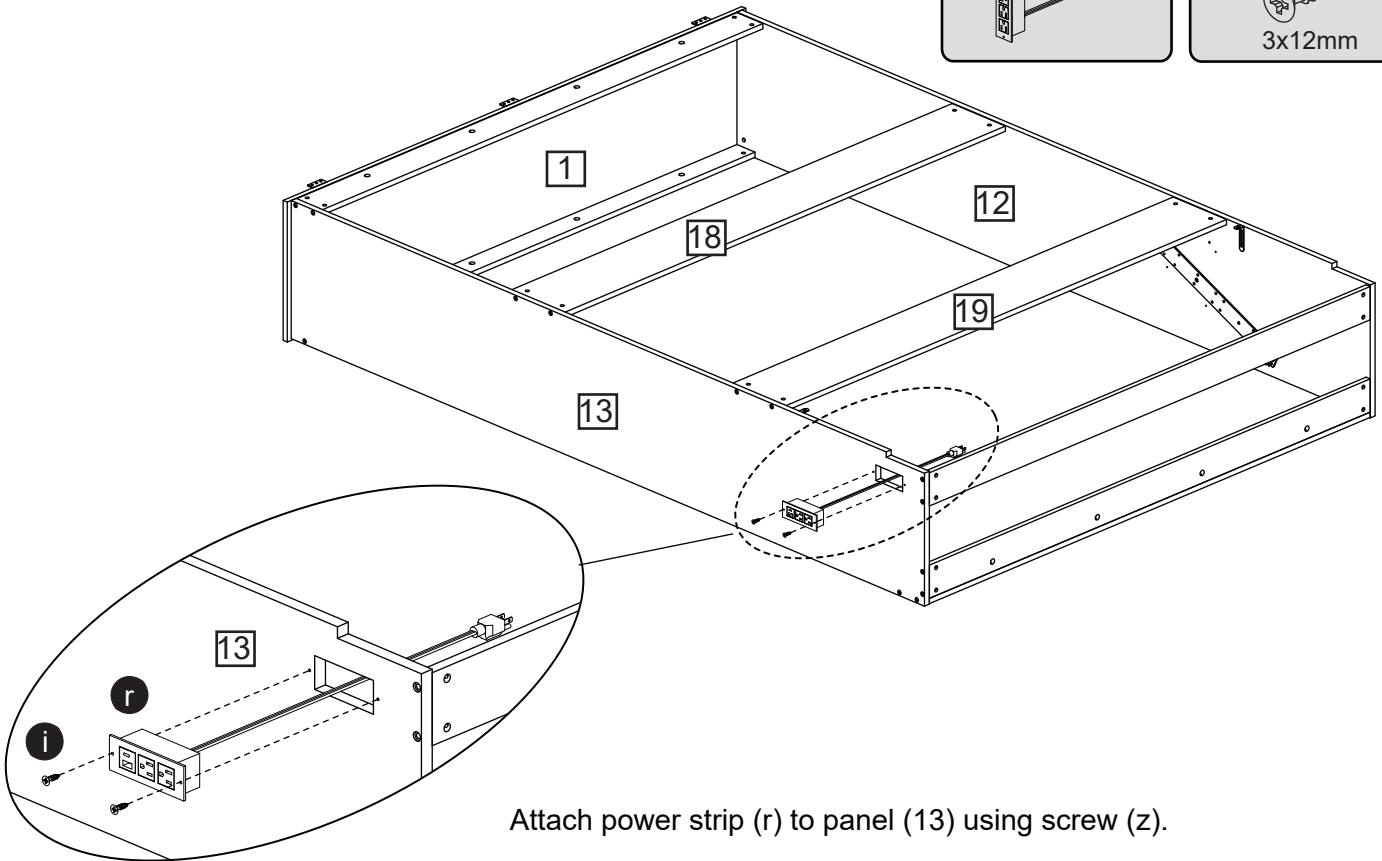
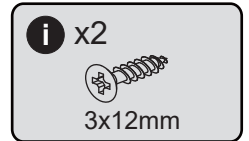
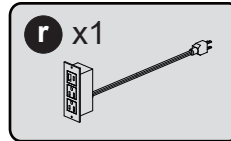
Step 14



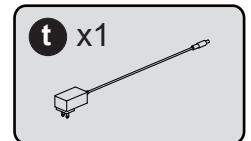
Attach LED strip clips (f) to panel (13) to secure LED strip (u).

Assembly Instructions

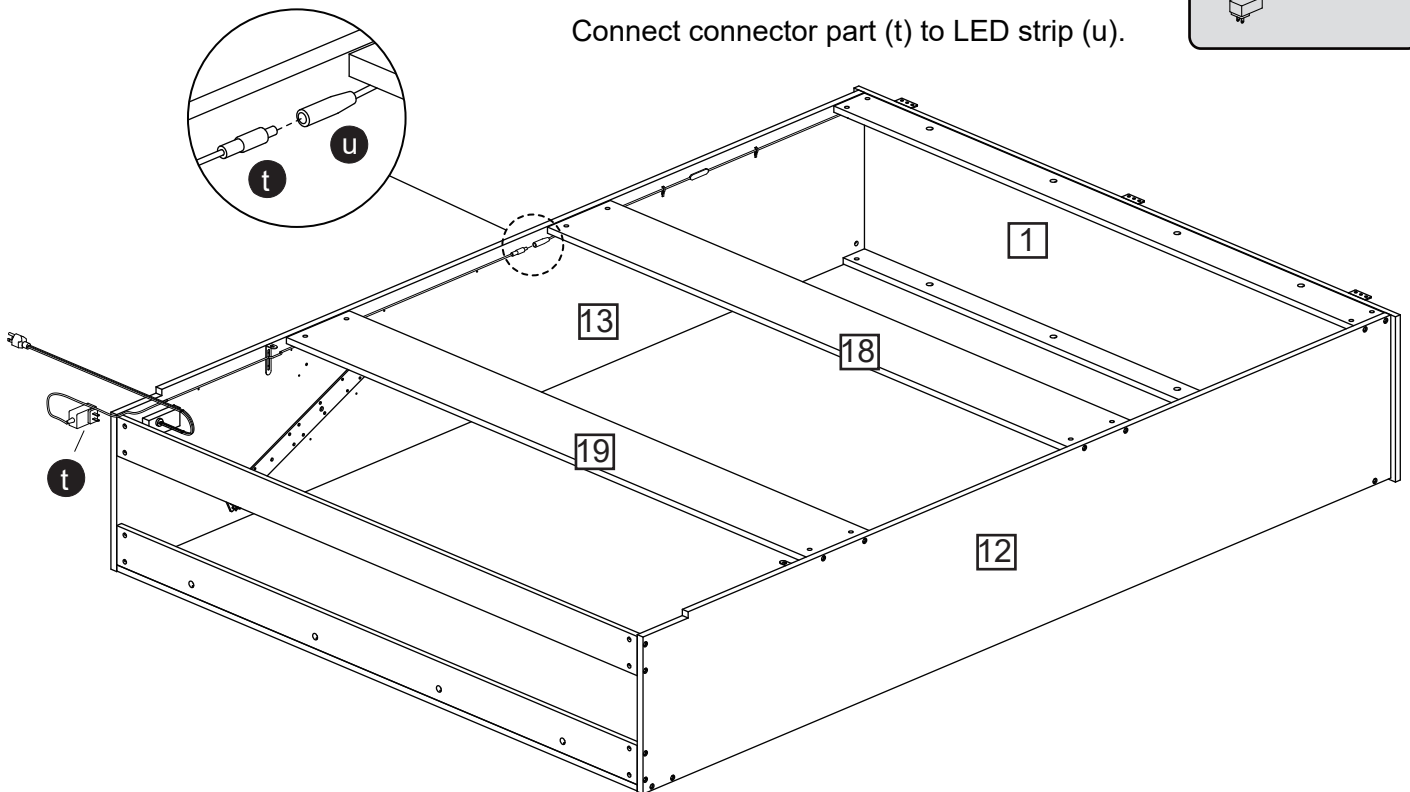
Step 15



Step 16

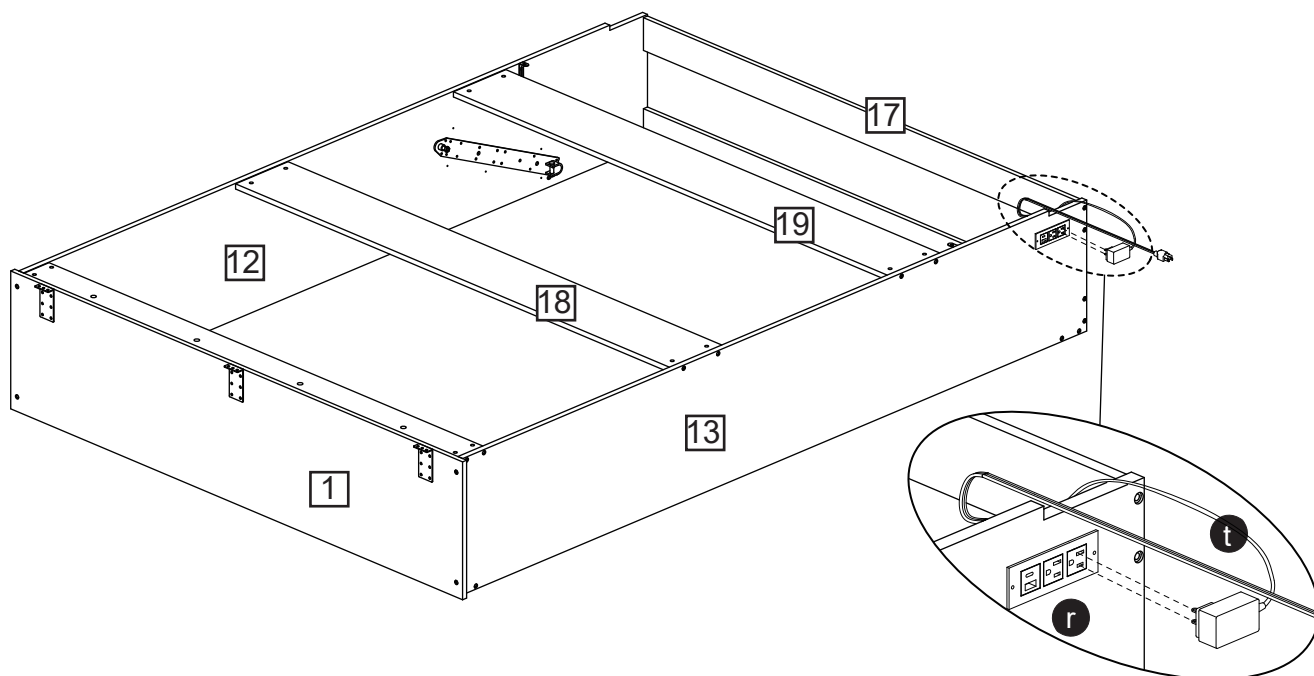


Connect connector part (t) to LED strip (u).



Assembly Instructions

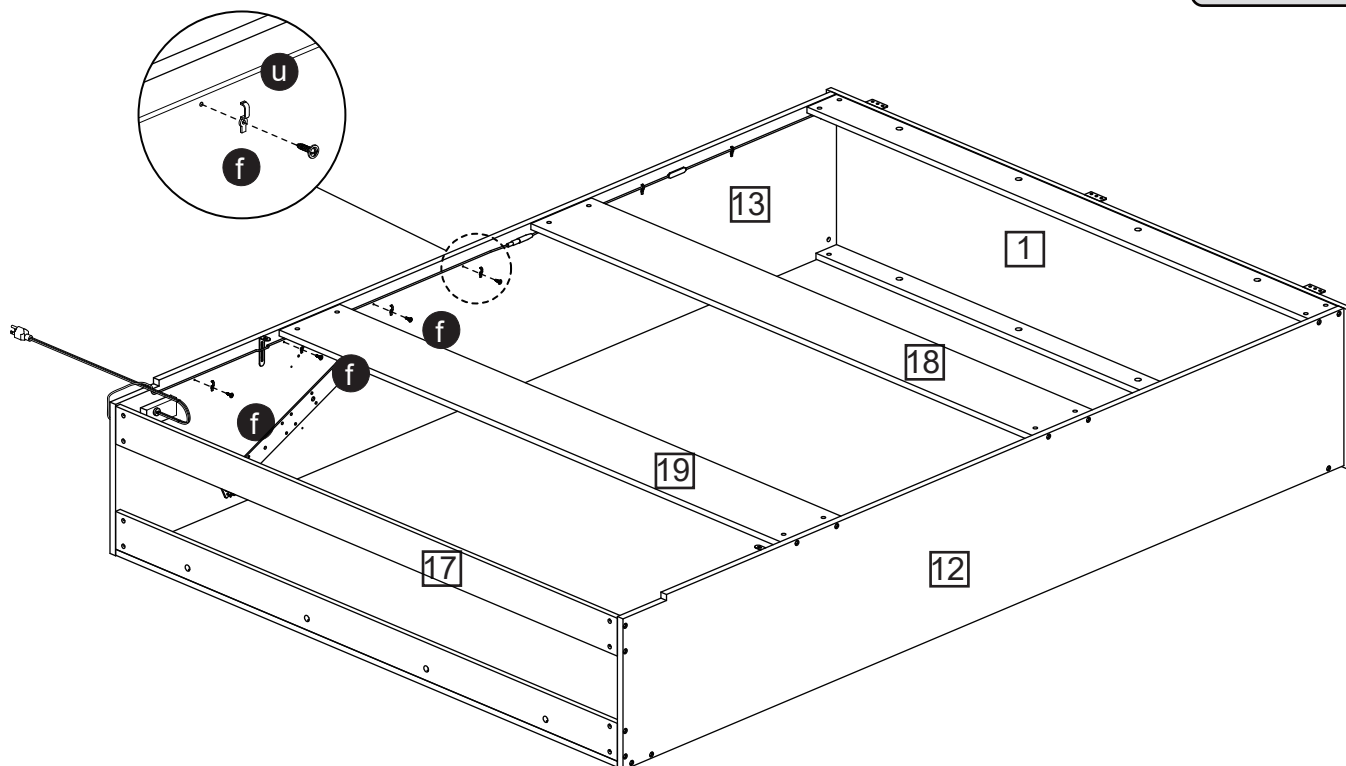
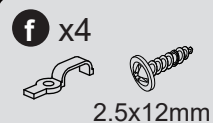
Step 17



Plug connector part (t) into power strip (r).

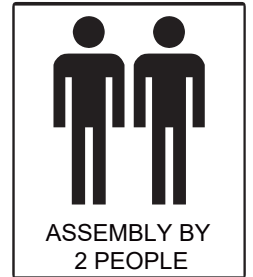
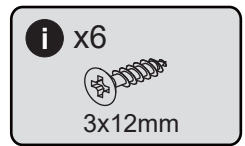
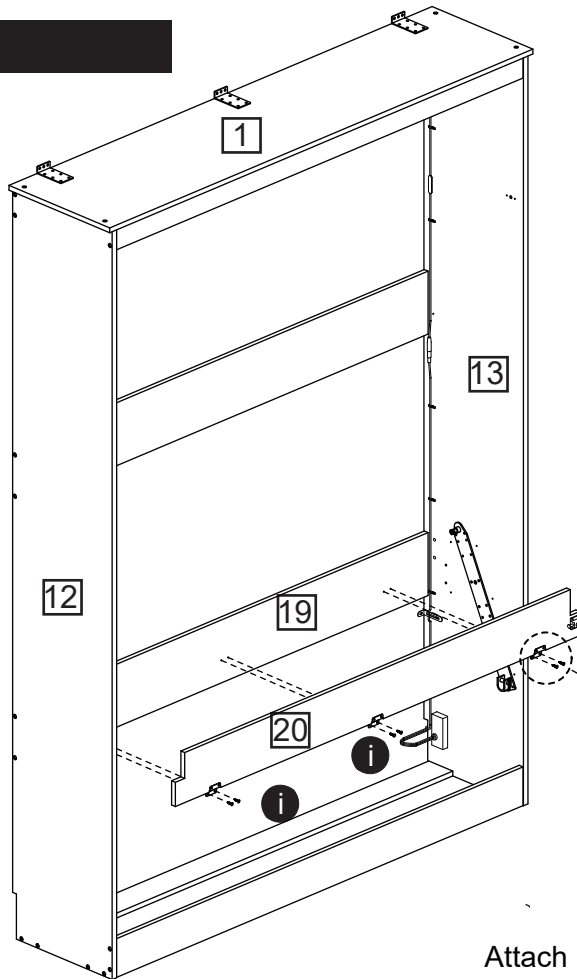
Step 18

Secure LED strip (u) to panel (13) with clips (f).



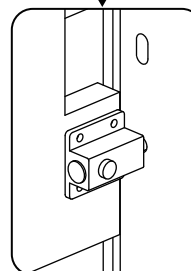
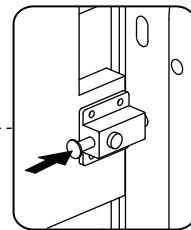
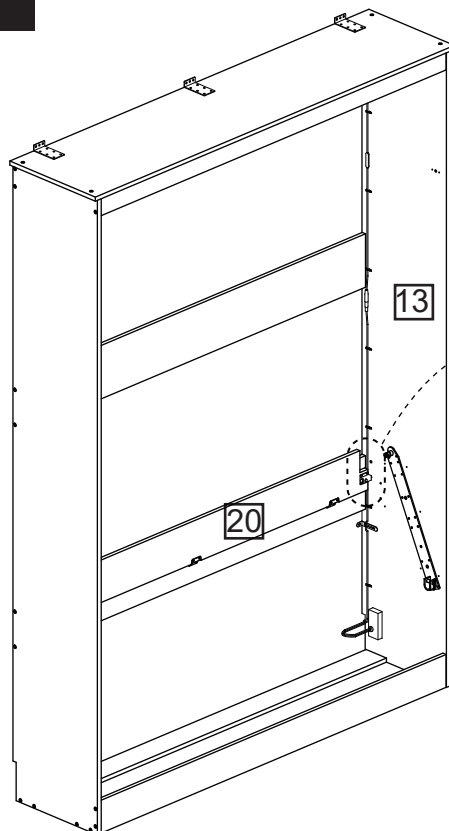
Assembly Instructions

Step 21



Attach panel (20) to panel (19) using screw (z).

Step 22

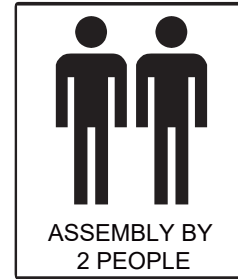
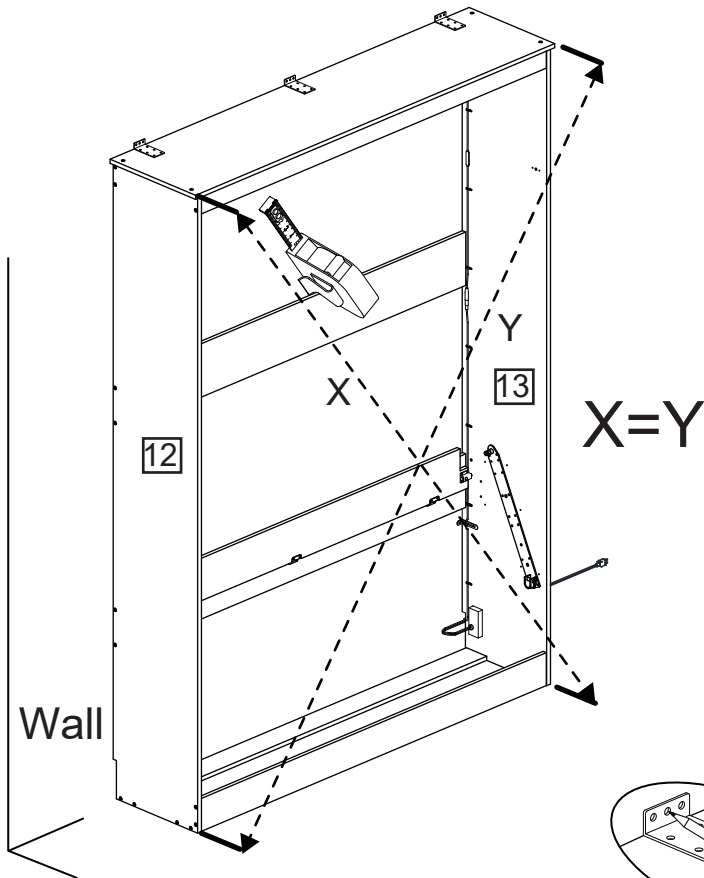


Lock latch to secure panel (20).

Assembly Instructions

Step 23

Measure cabinet diagonals. Adjust until $X = Y$, then mark wall position.



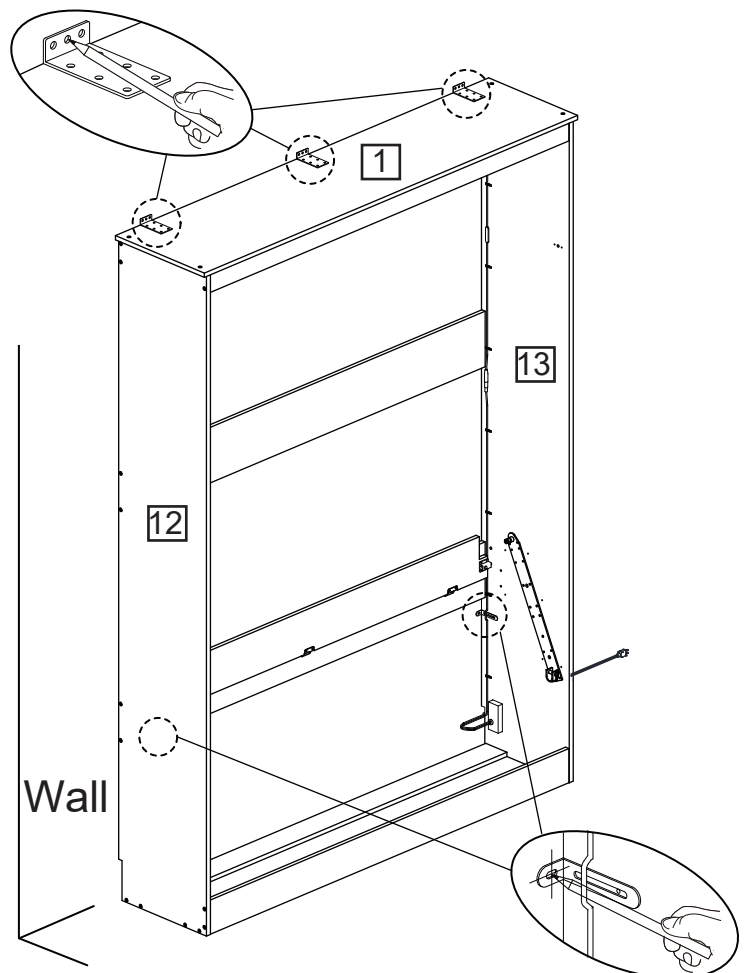
The unit is floor standing, but it is recommended that the unit is secured to the wall.

1. Move the unit into desired position.
2. Mark the wall with a suitable scribe the position of the fixing holes.



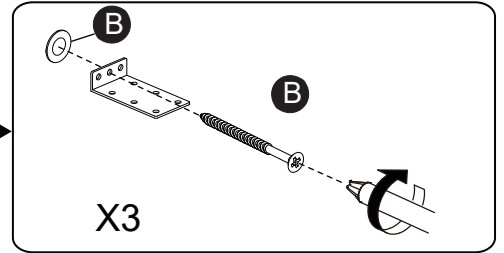
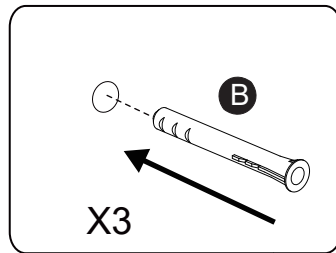
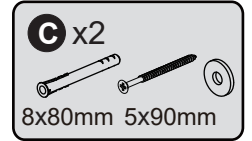
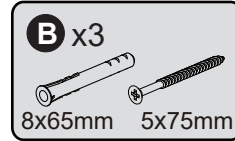
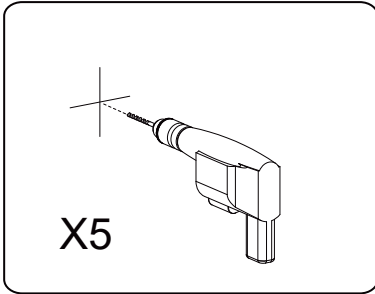
Warning:
Before drilling, check wall for hidden pipes and cables.

3. Drill holes and insert wall plug.
4. Attach bracket to the wall.

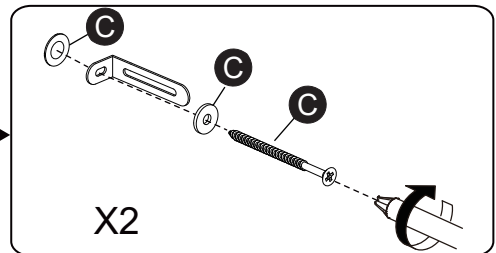
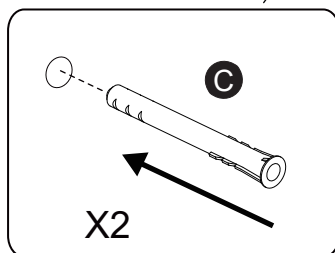
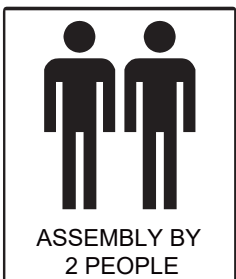
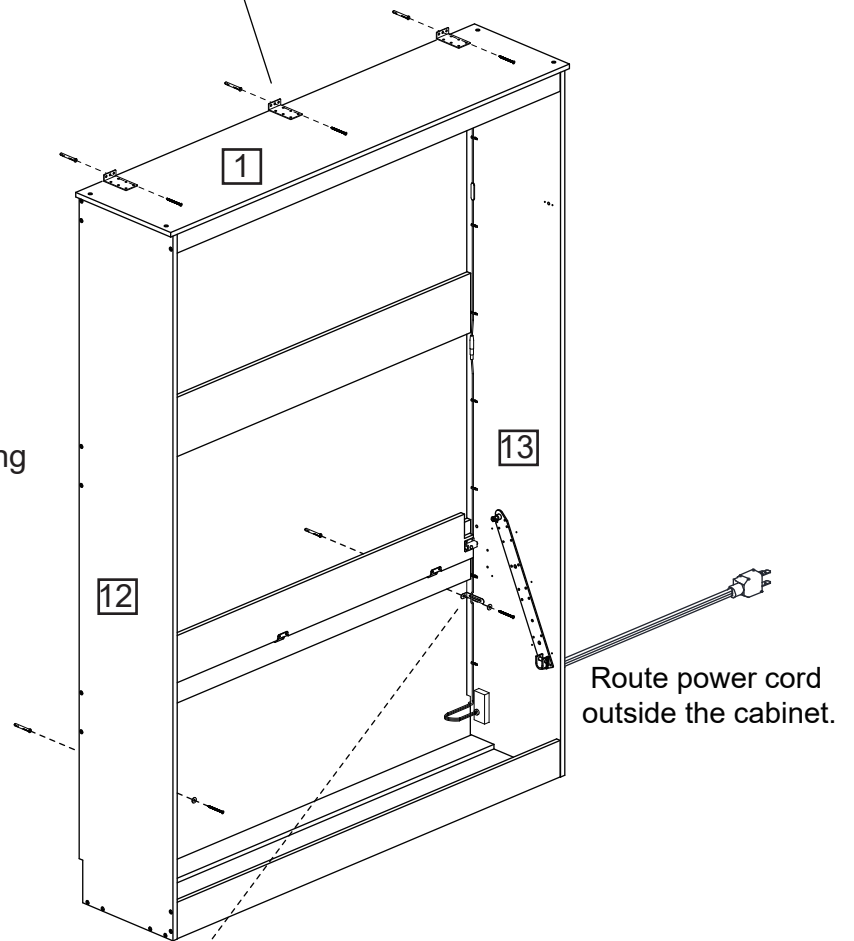


Assembly Instructions

Step 24

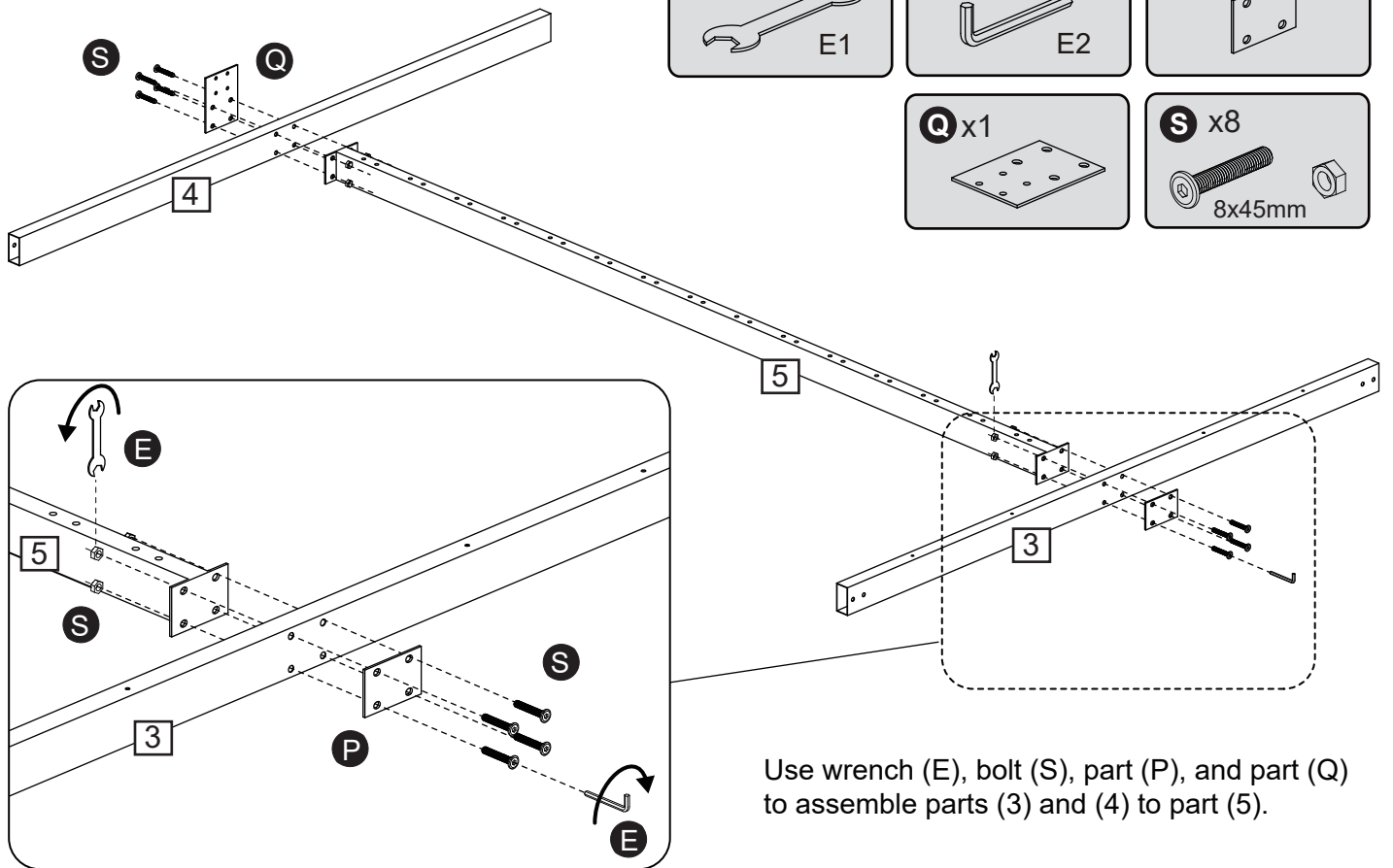


Please read the Guide to Wall Mounting & Fixings on the last page before excuting this step.



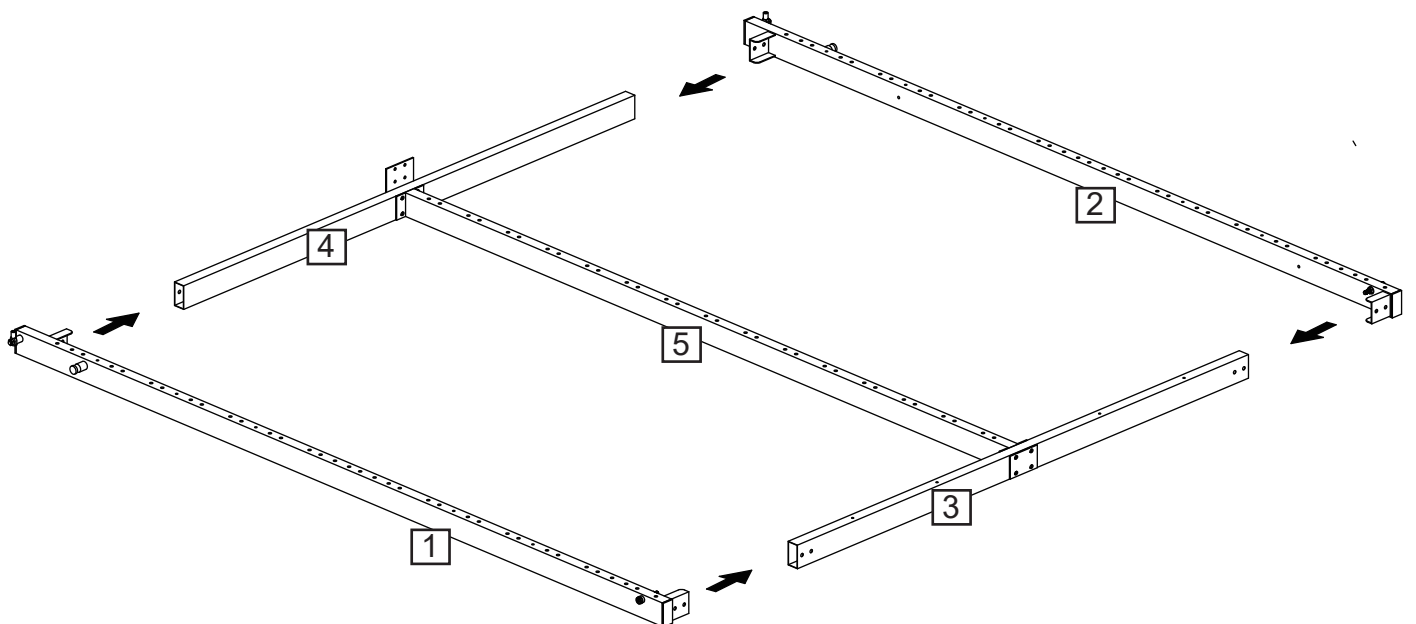
Assembly Instructions

Step 25



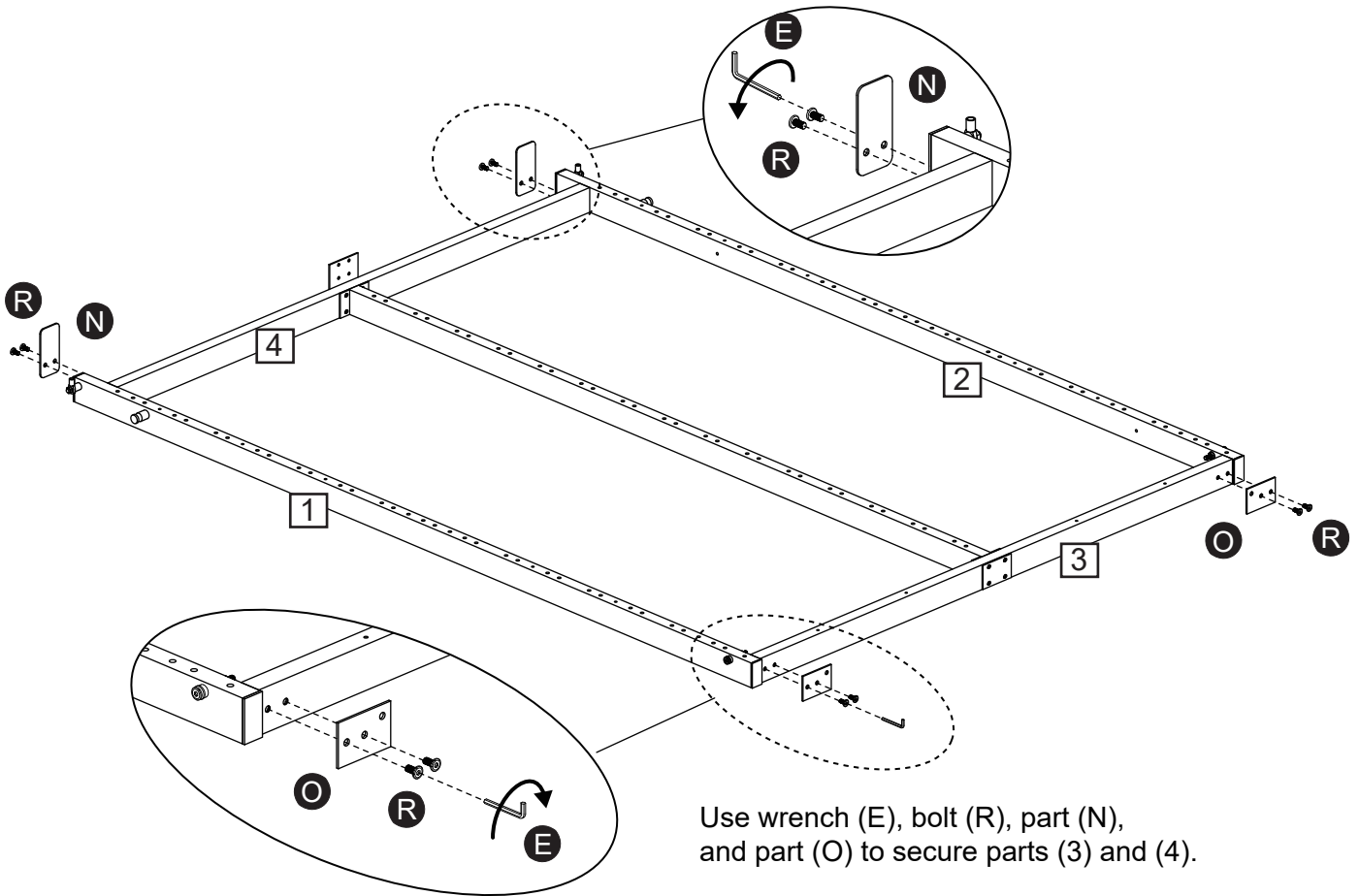
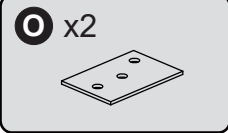
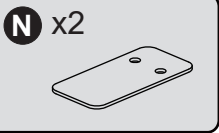
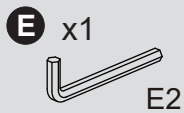
Step 26

Attach parts (1) and (2) to parts (3) and (4).



Assembly Instructions

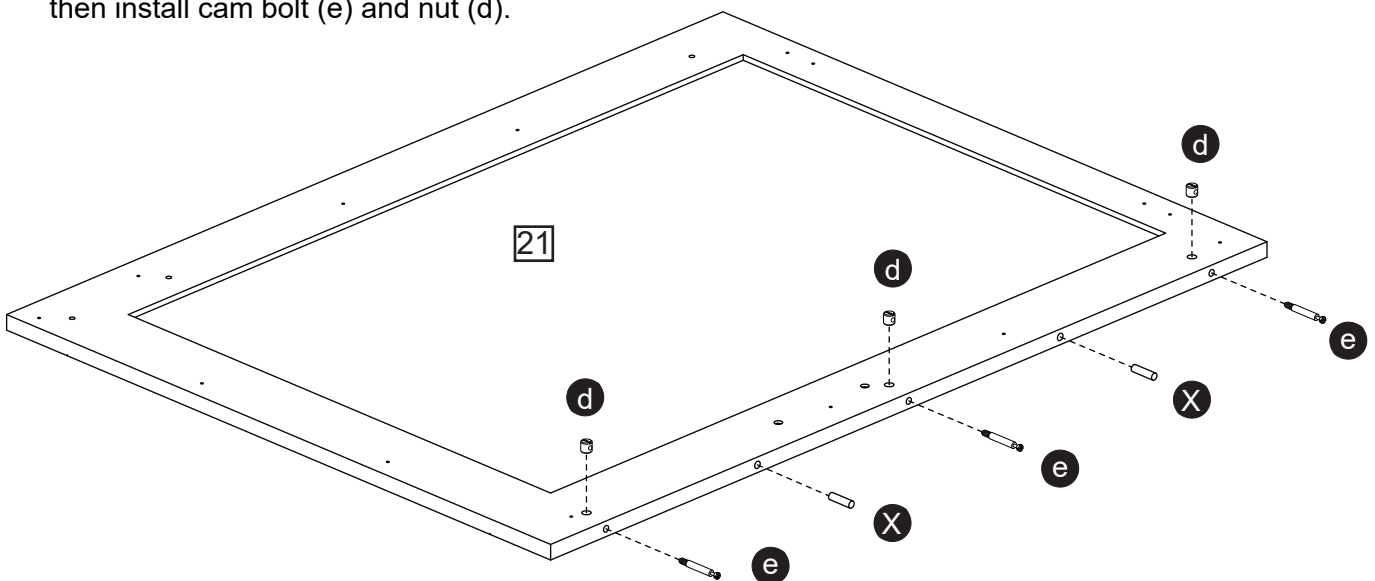
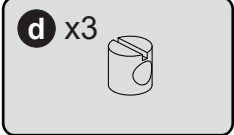
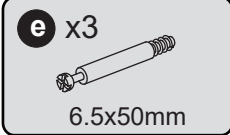
Step 27



Use wrench (E), bolt (R), part (N), and part (O) to secure parts (3) and (4).

Step 28

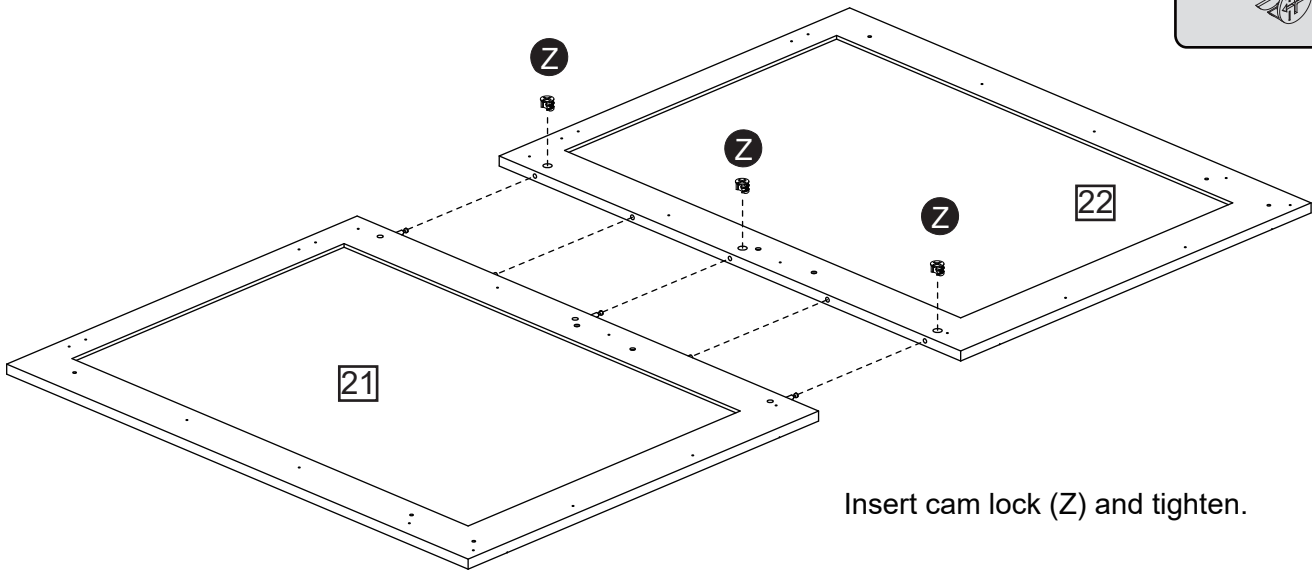
Insert wooden dowels (X) into panel (21), then install cam bolt (e) and nut (d).



Assembly Instructions

Step 29

Z x3



Insert cam lock (Z) and tighten.

Step 30

F x4



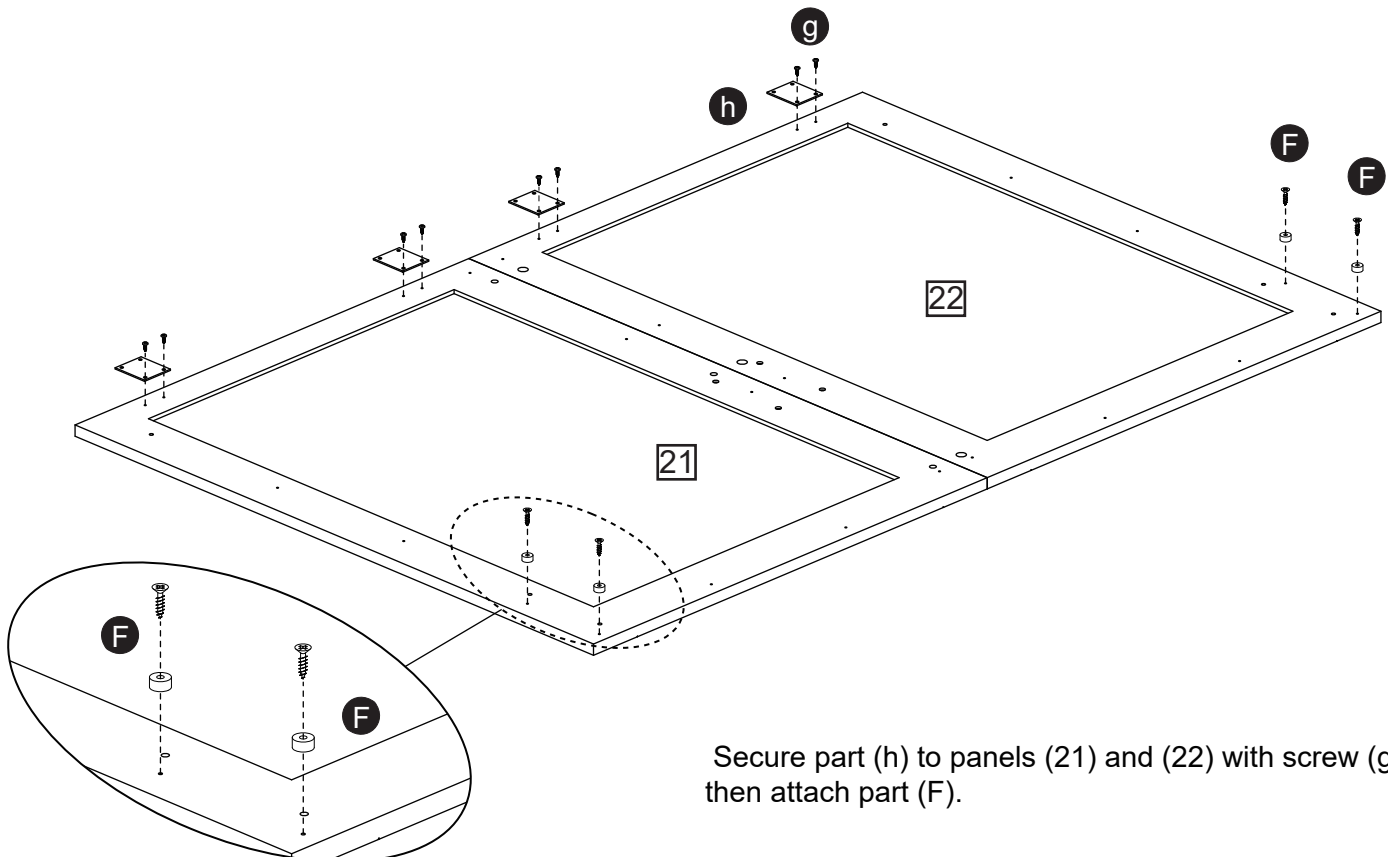
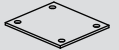
3x16mm

g x8



4x14mm

h x4

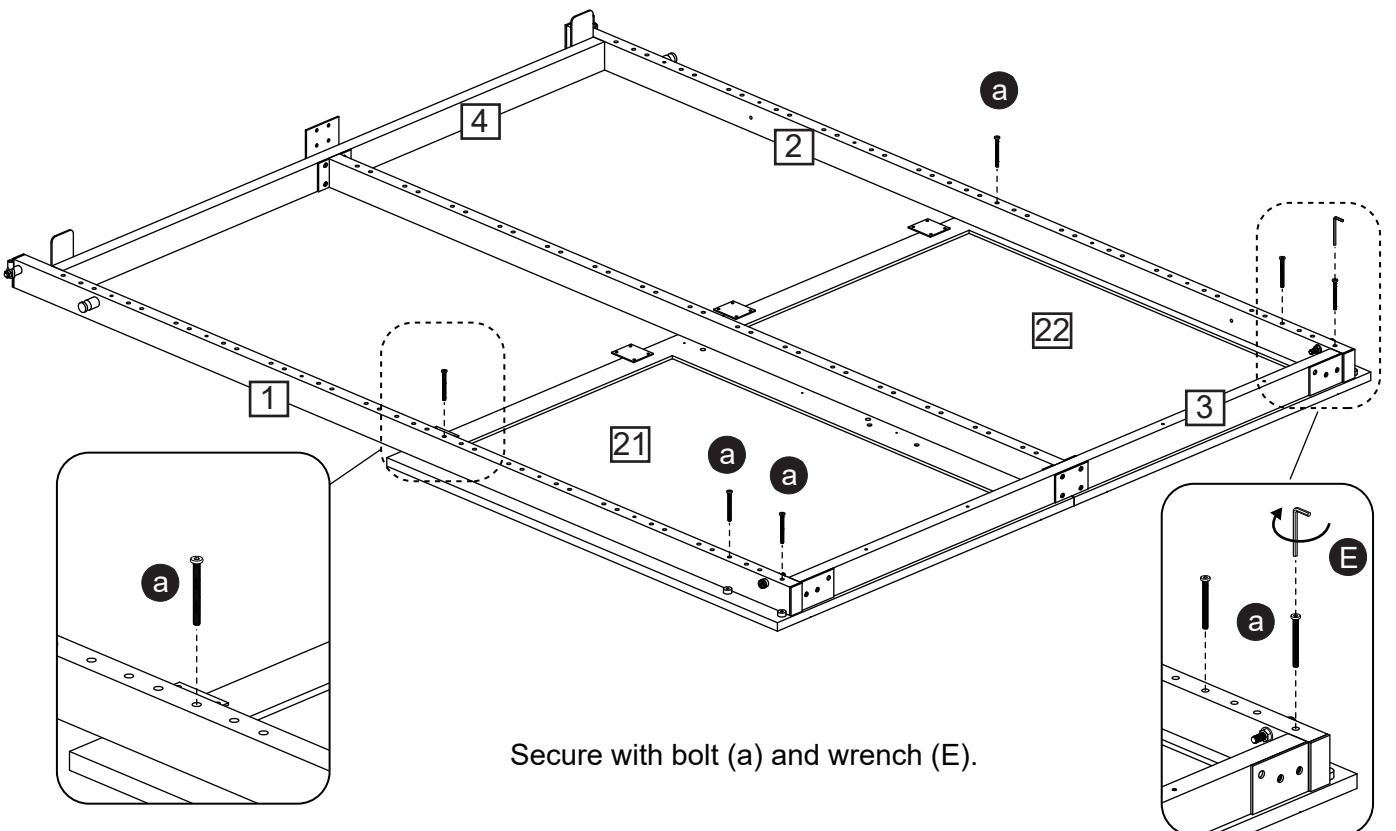
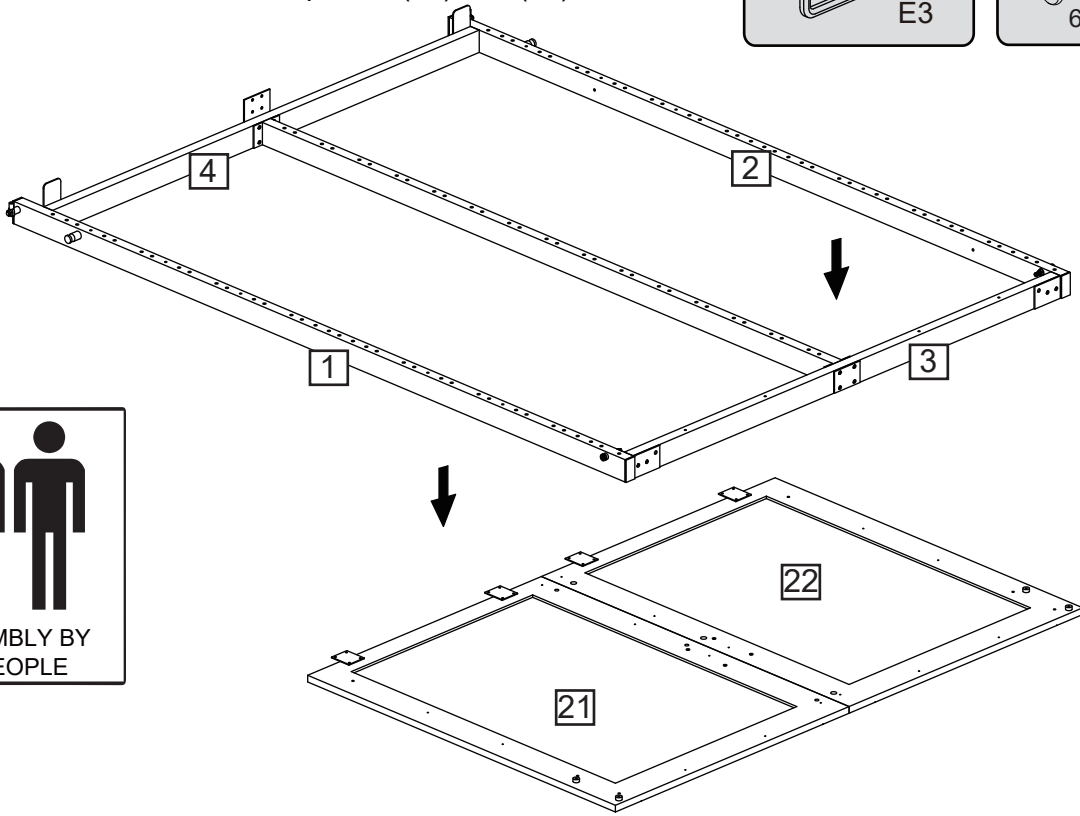
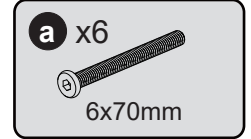
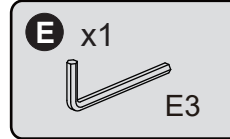


Secure part (h) to panels (21) and (22) with screw (g), then attach part (F).

Assembly Instructions

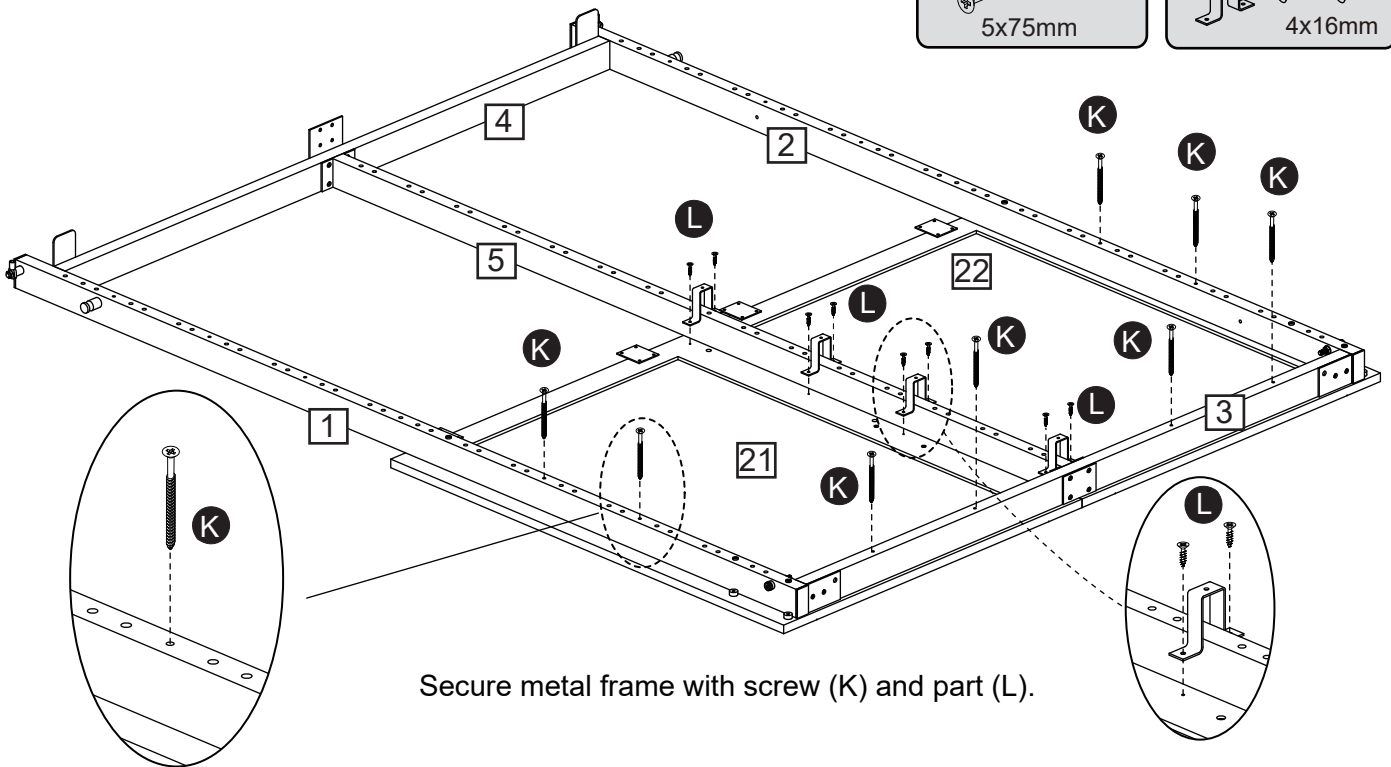
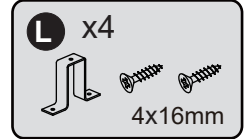
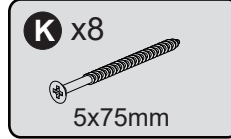
Step 31

Place assembled metal frame onto panels (21) and (22).



Assembly Instructions

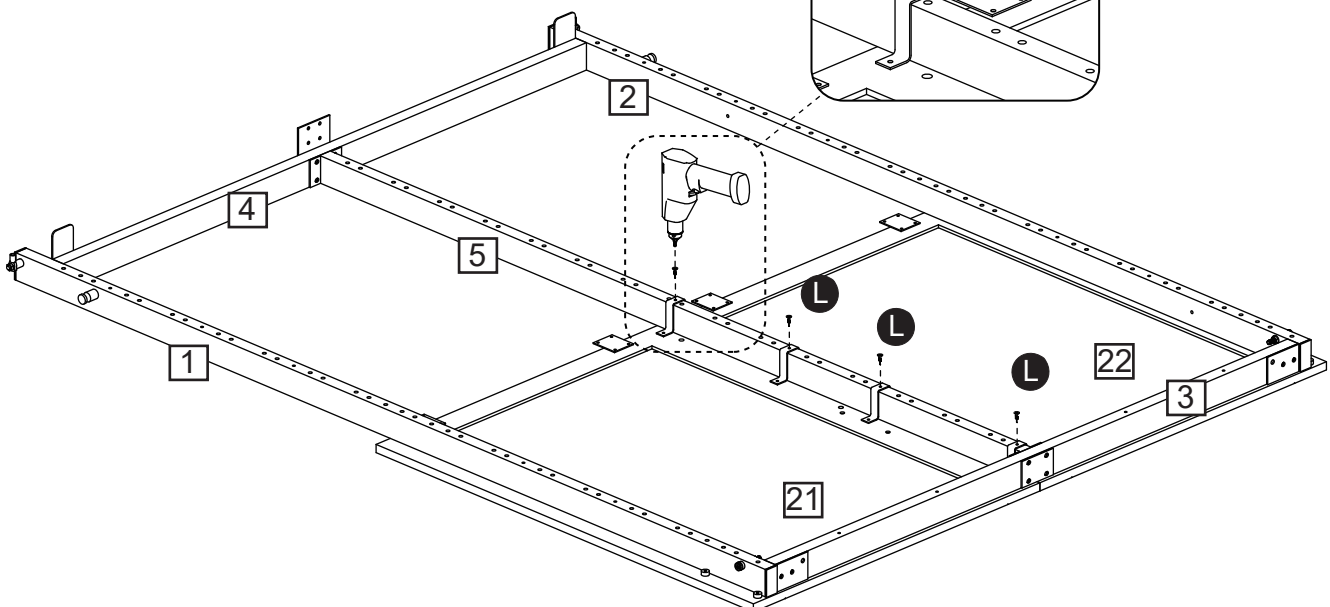
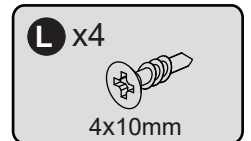
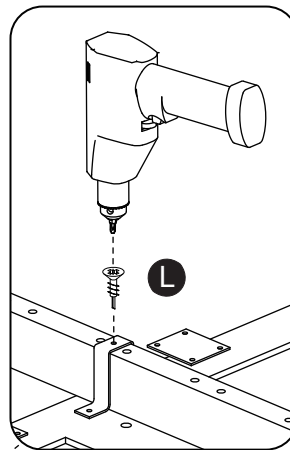
Step 32



Secure metal frame with screw (K) and part (L).

Step 33

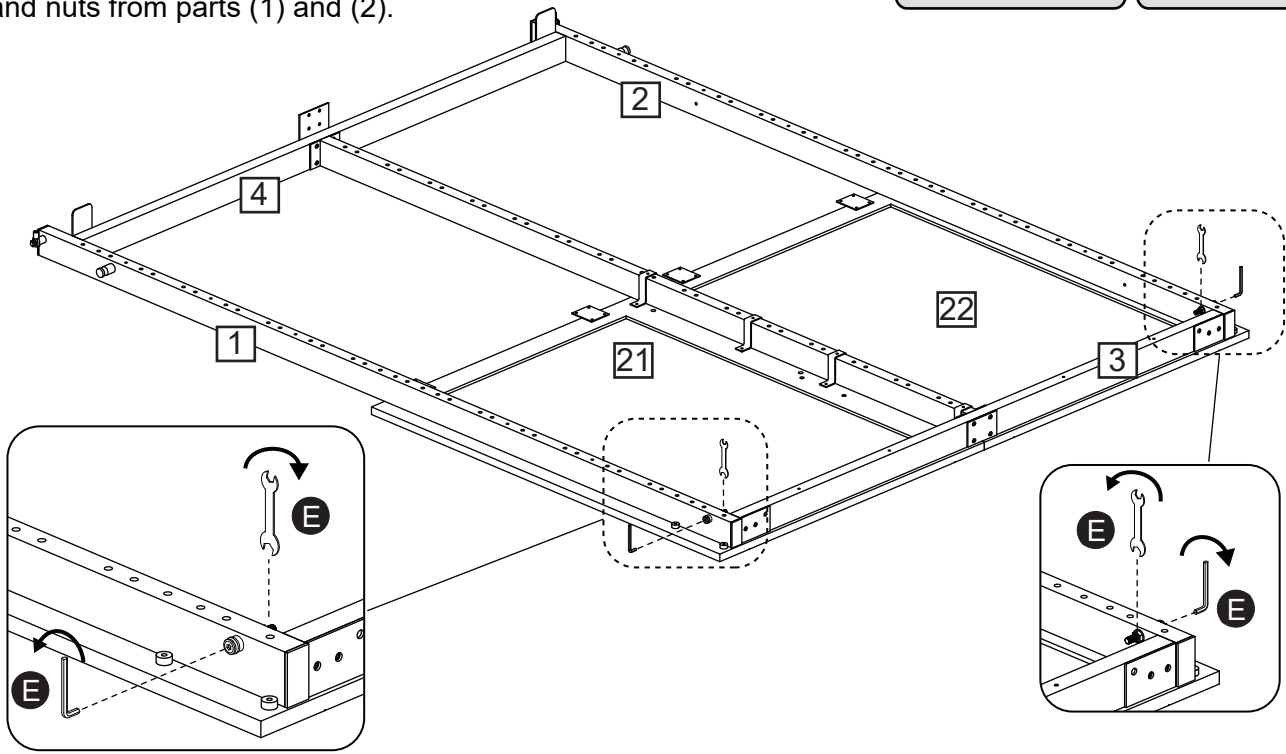
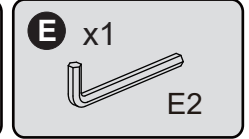
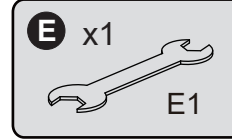
Further secure metal frame using part (L).



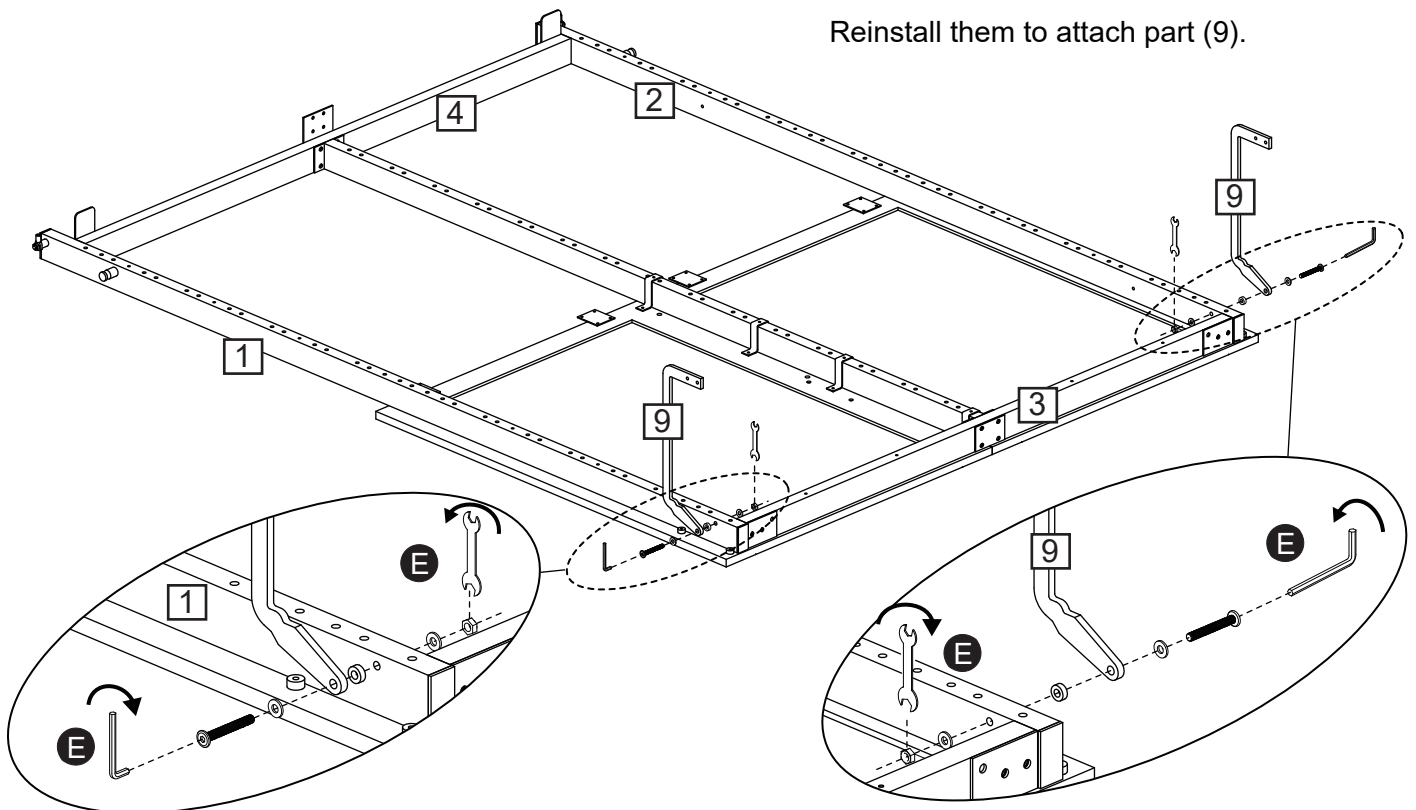
Assembly Instructions

Step 34

Remove pre-installed bolts, washers, and nuts from parts (1) and (2).



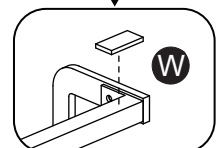
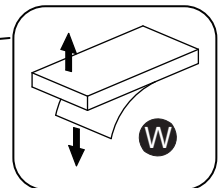
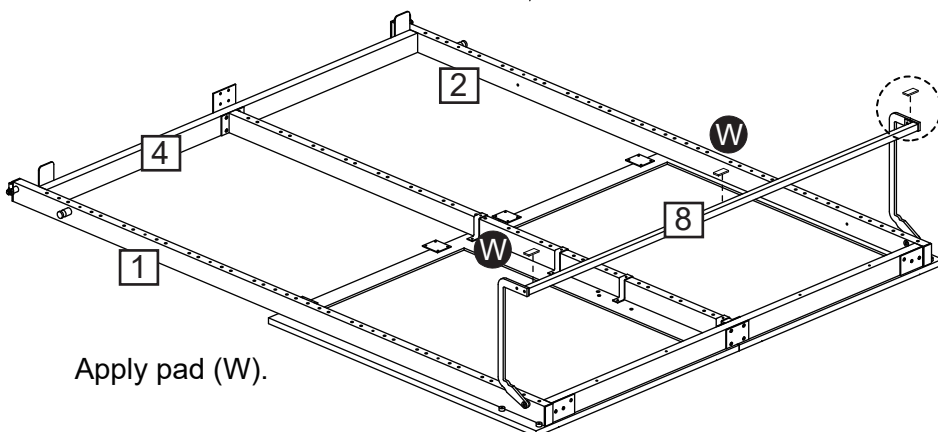
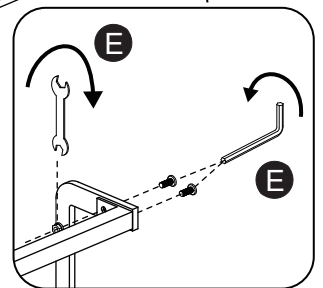
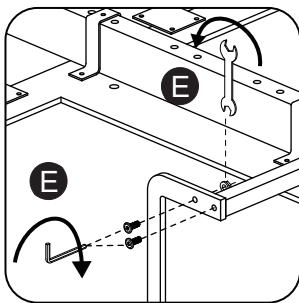
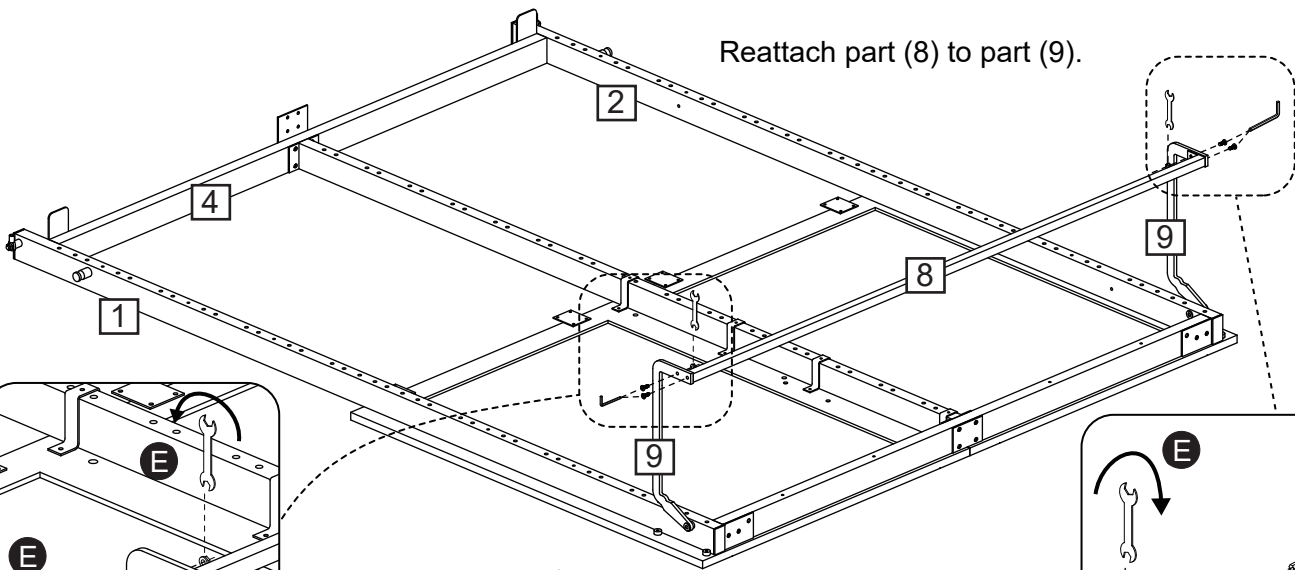
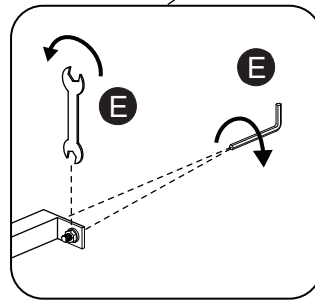
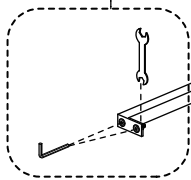
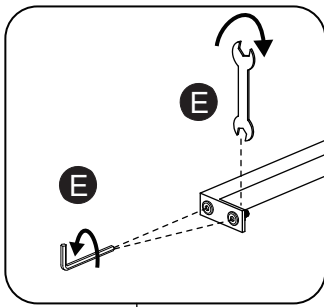
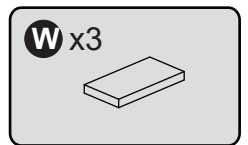
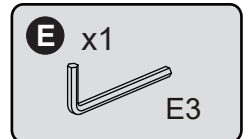
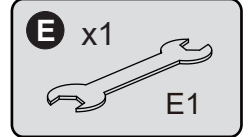
Reinstall them to attach part (9).



Assembly Instructions

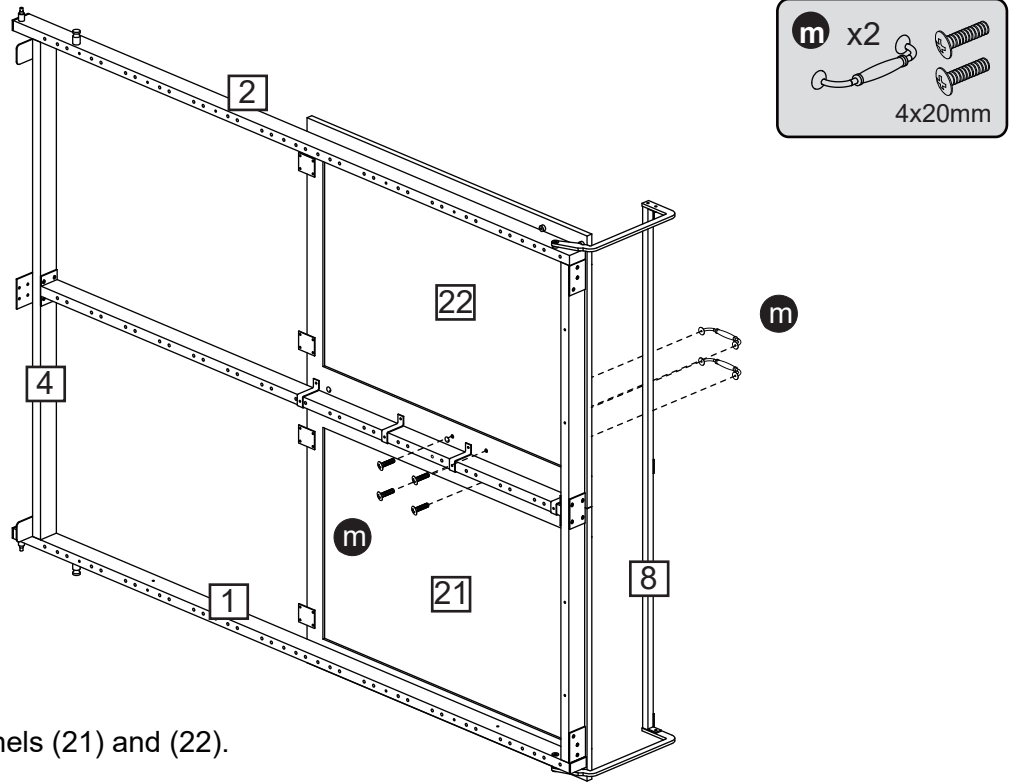
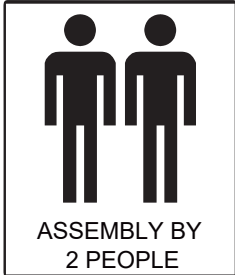
Step 35

Remove pre-installed bolt and nut from part (8).



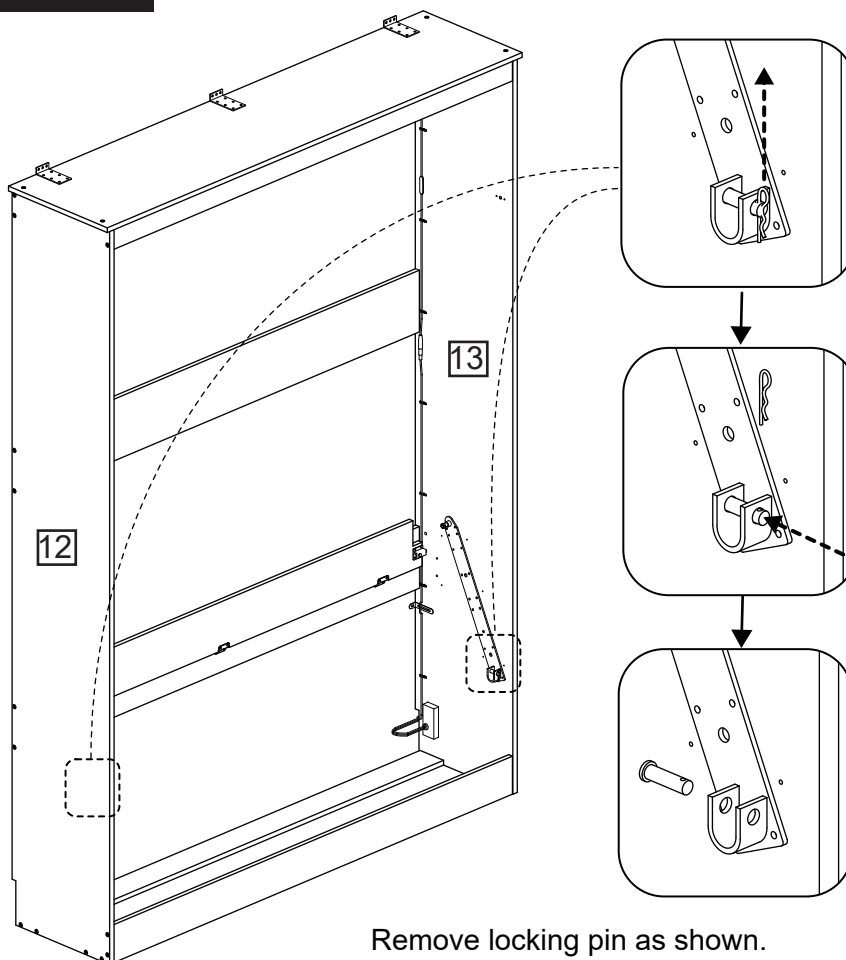
Assembly Instructions

Step 36



Install handle (m) onto panels (21) and (22).

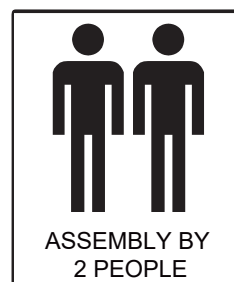
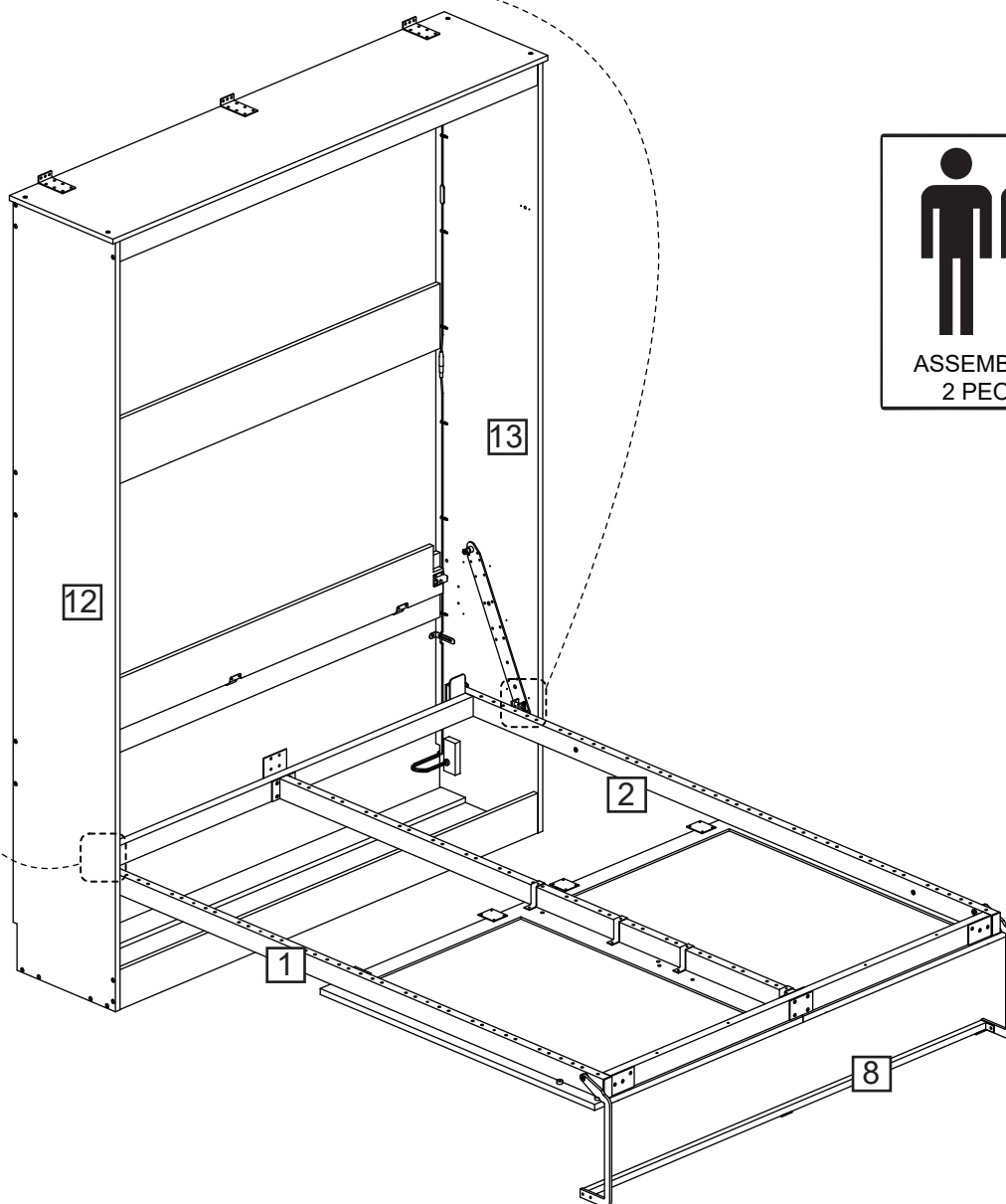
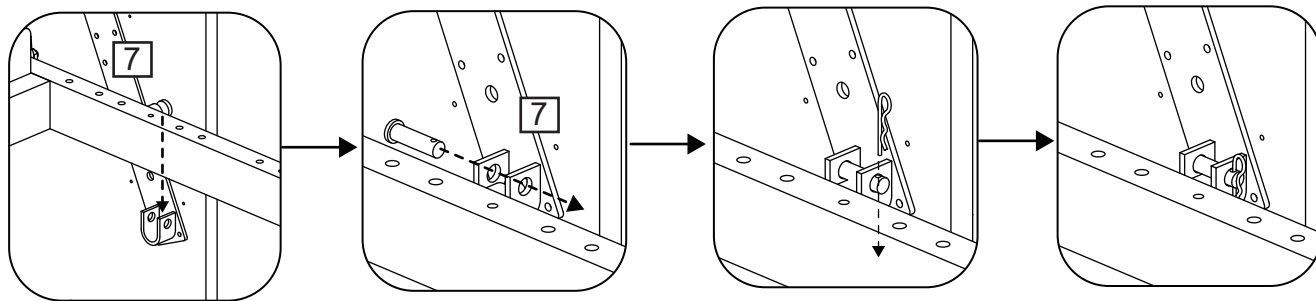
Step 37



Remove locking pin as shown.

Assembly Instructions

Step 38



Two people lift bed frame onto parts (6) and (7), then insert pins.

Assembly Instructions

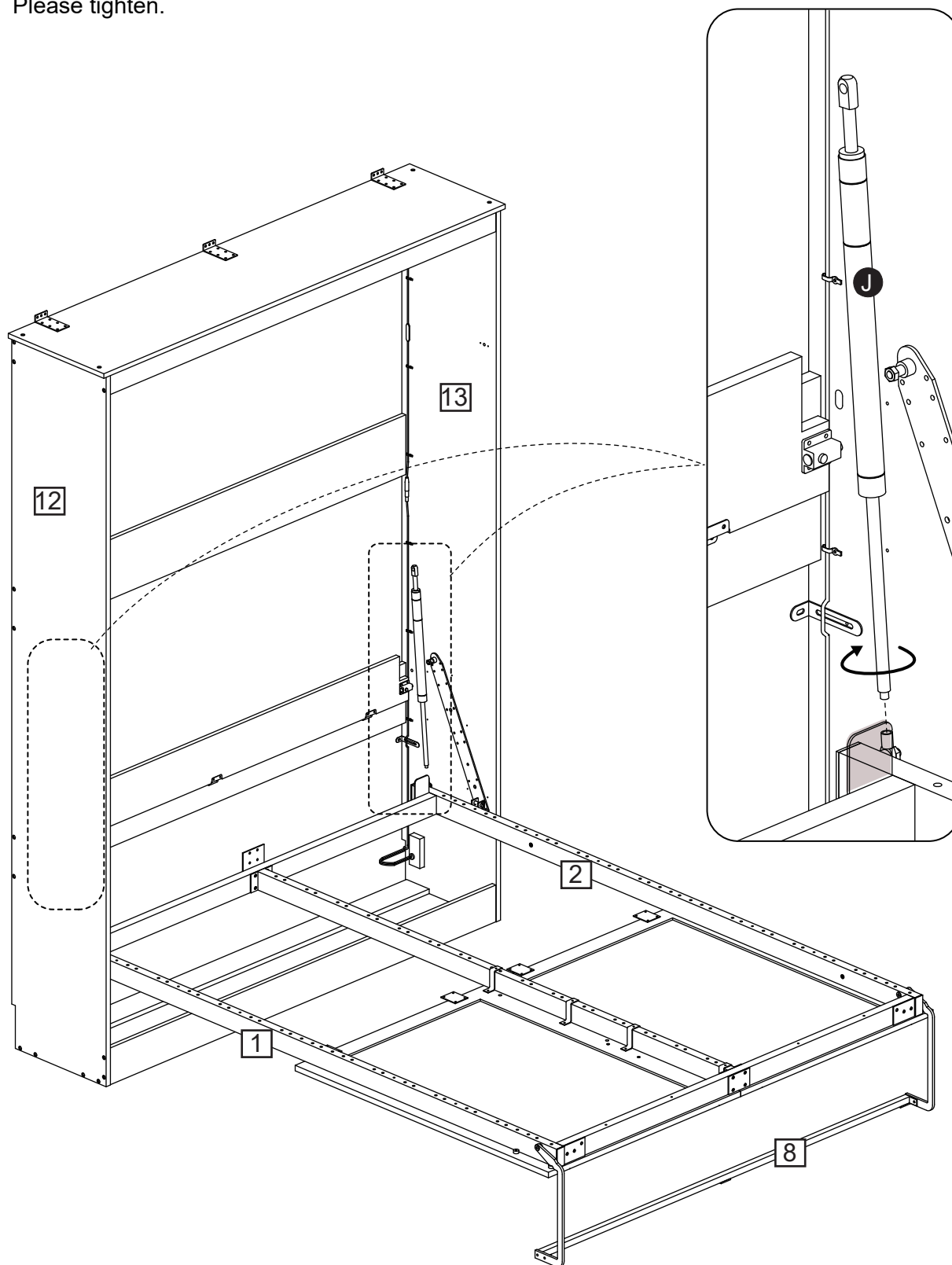
Step 39

J x2



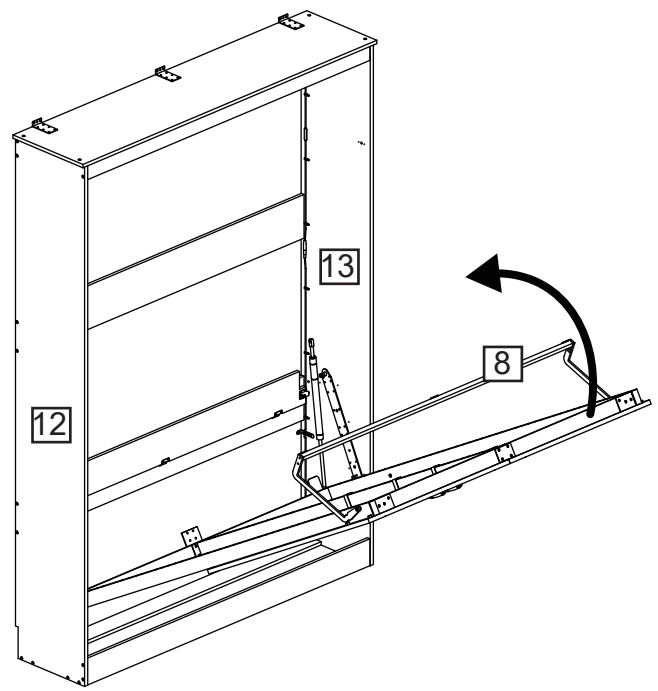
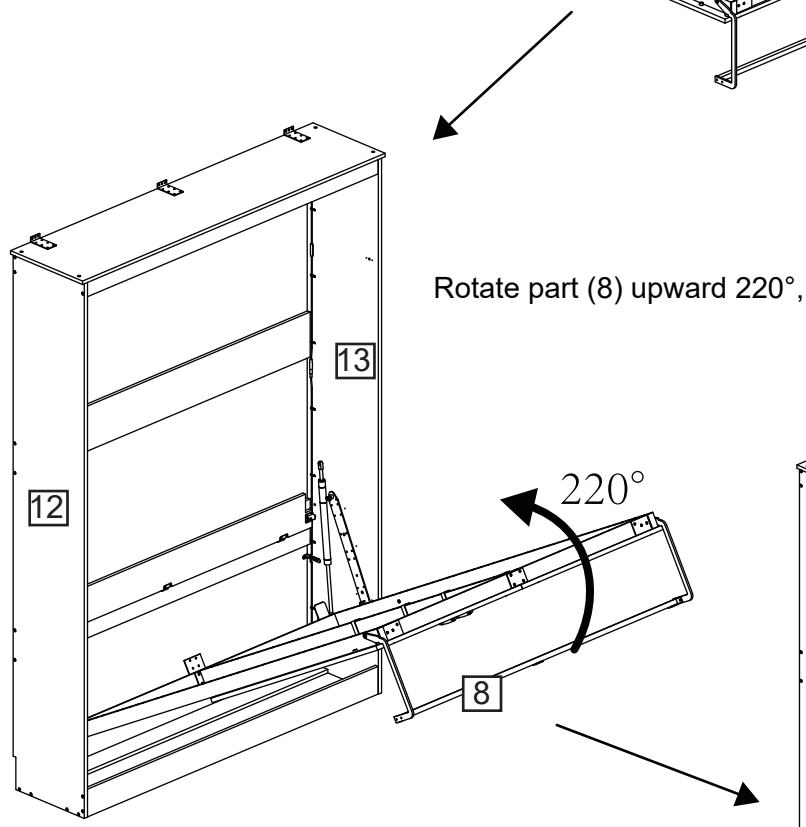
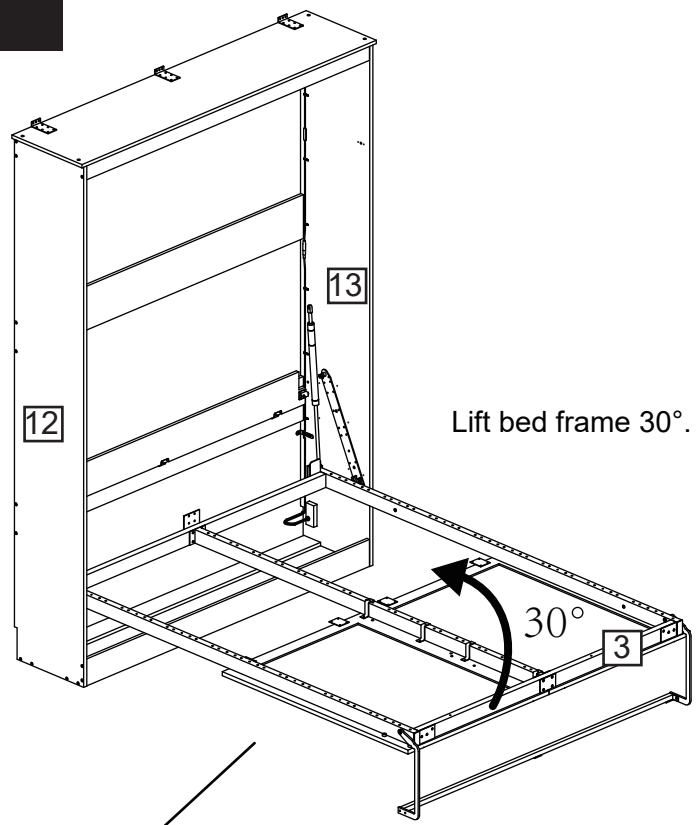
Screw parts (J) into nuts on parts (1) and (2).

Please tighten.



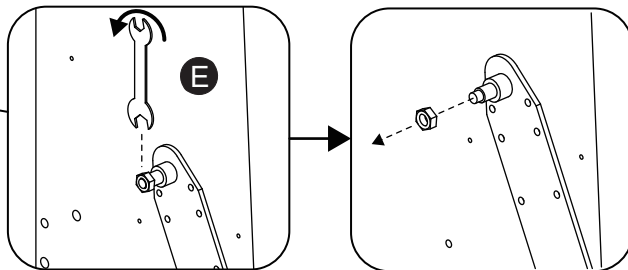
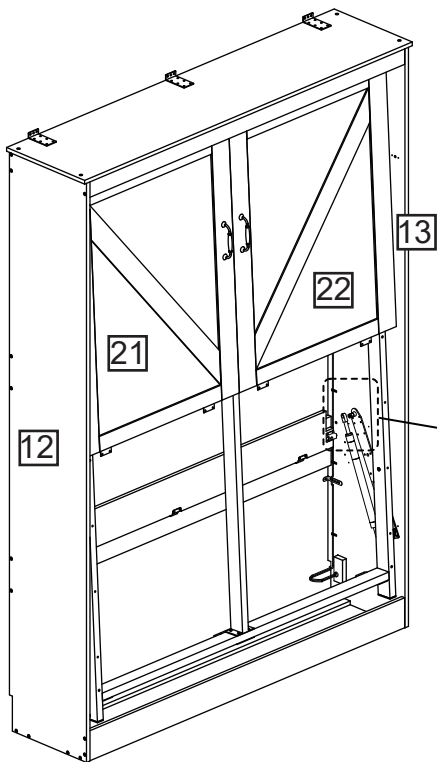
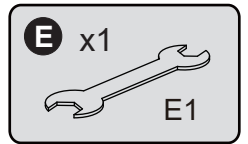
Assembly Instructions

Step 40

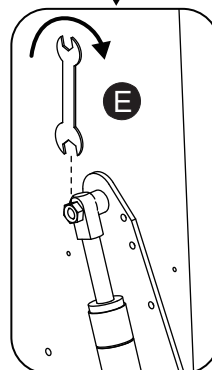
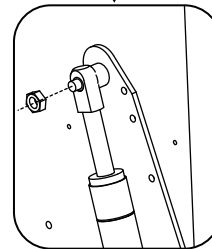
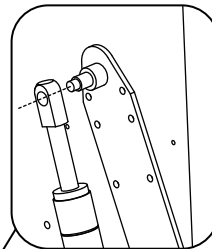
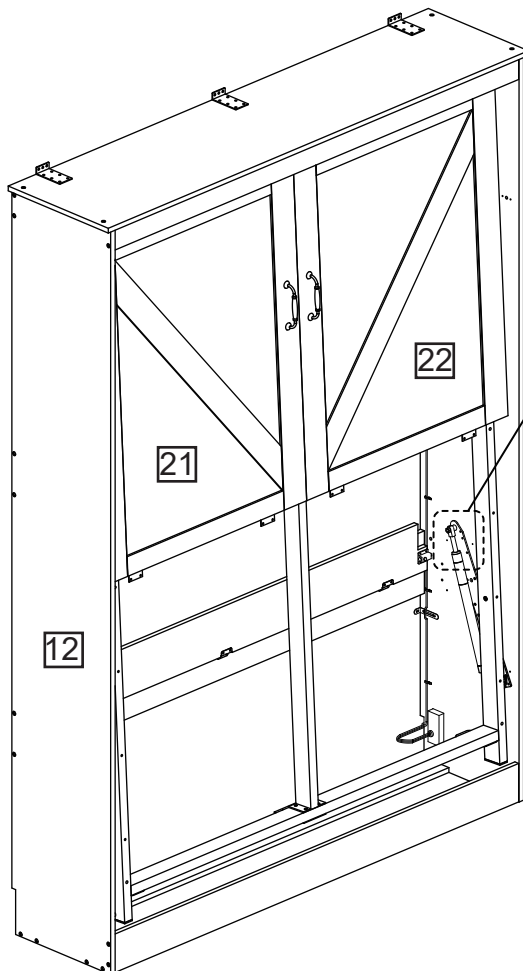


Assembly Instructions

Step 41



Remove nuts with wrench (E), fit parts (J), and secure nuts.

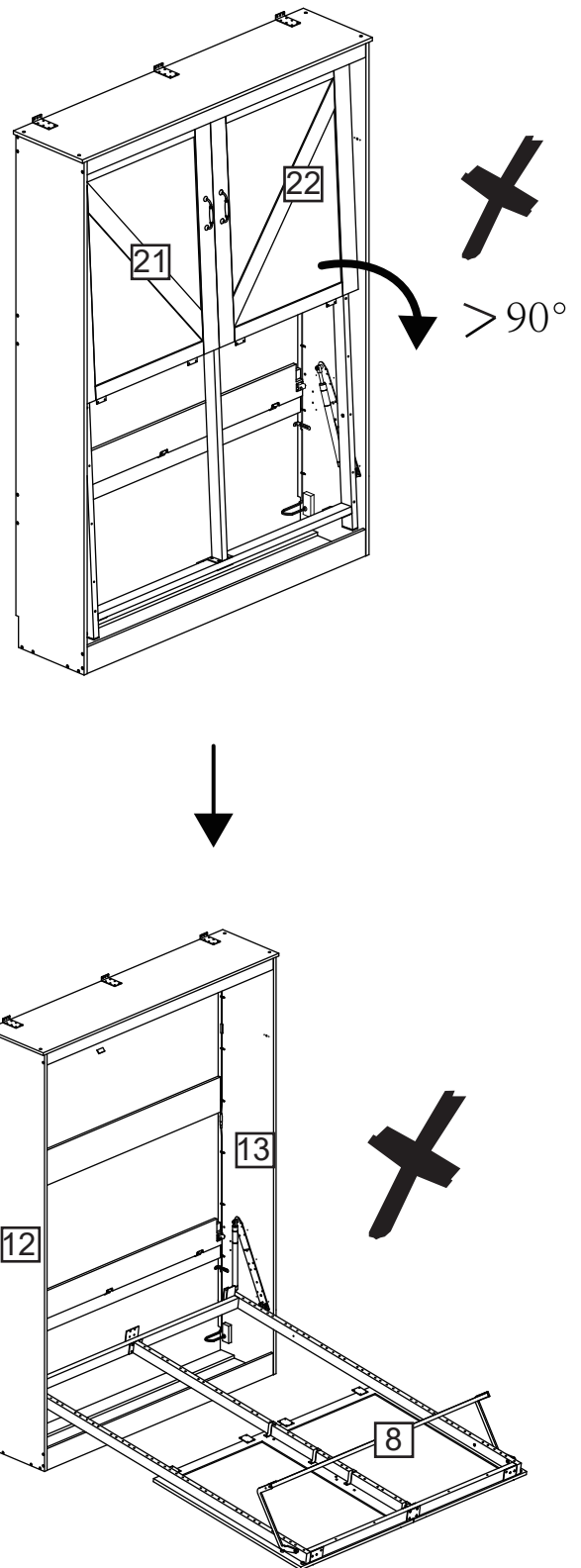
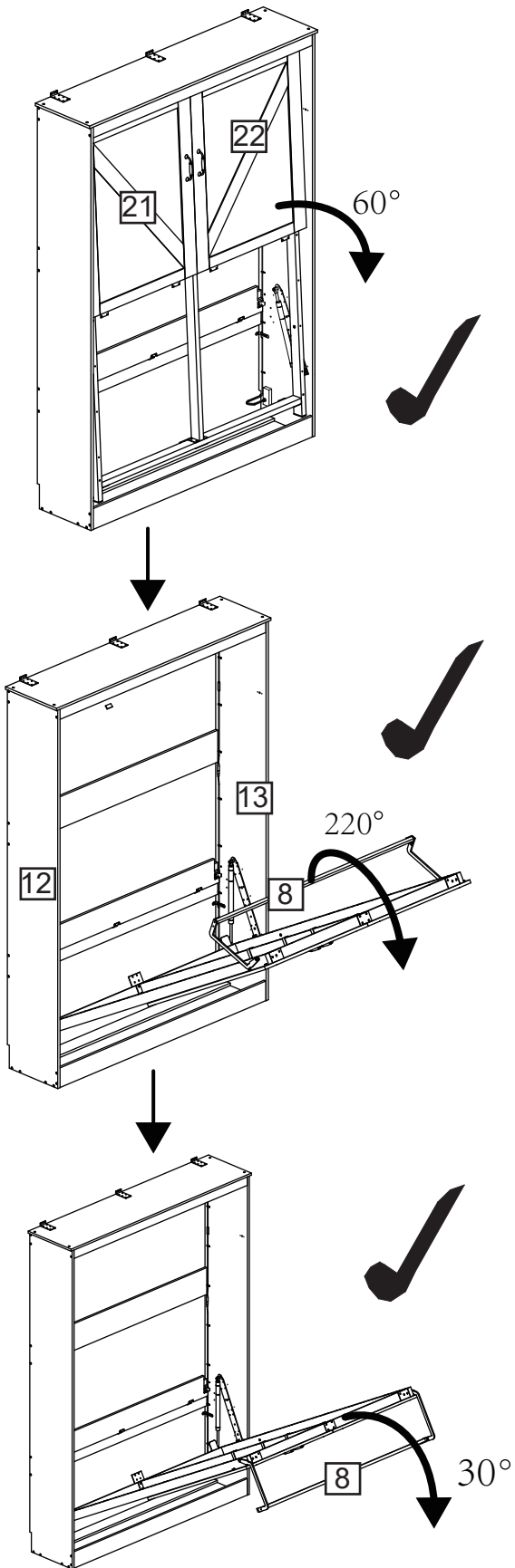


Assembly Instructions

Step 42

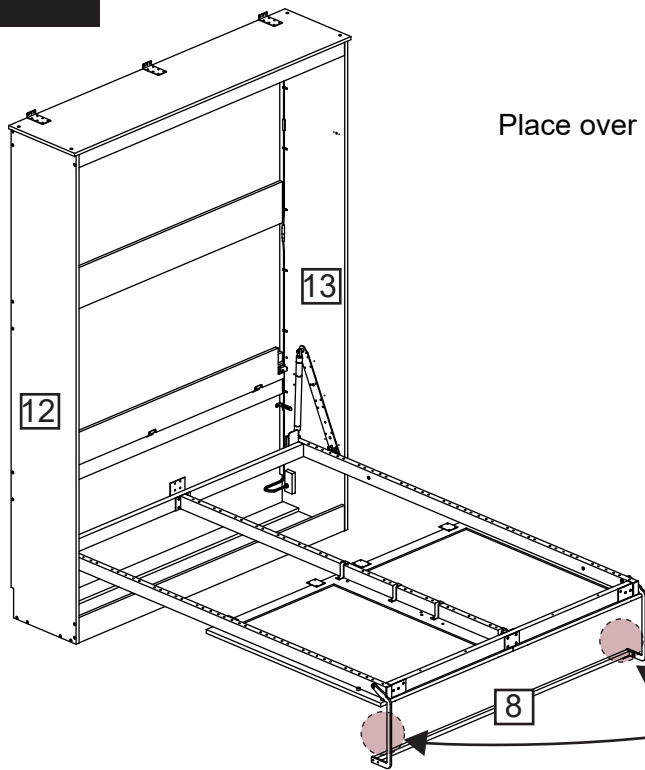
Lower bed frame 30°, rotate part (8) 220°, then lower bed frame fully.

Do not exceed 90° if part (8) not rotated.

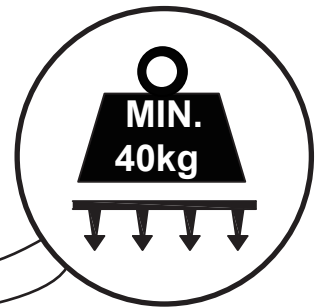


Assembly Instructions

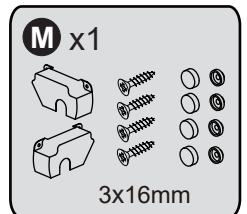
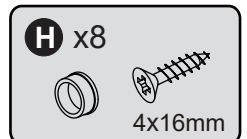
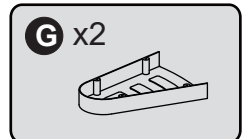
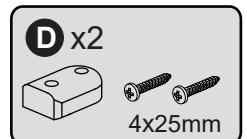
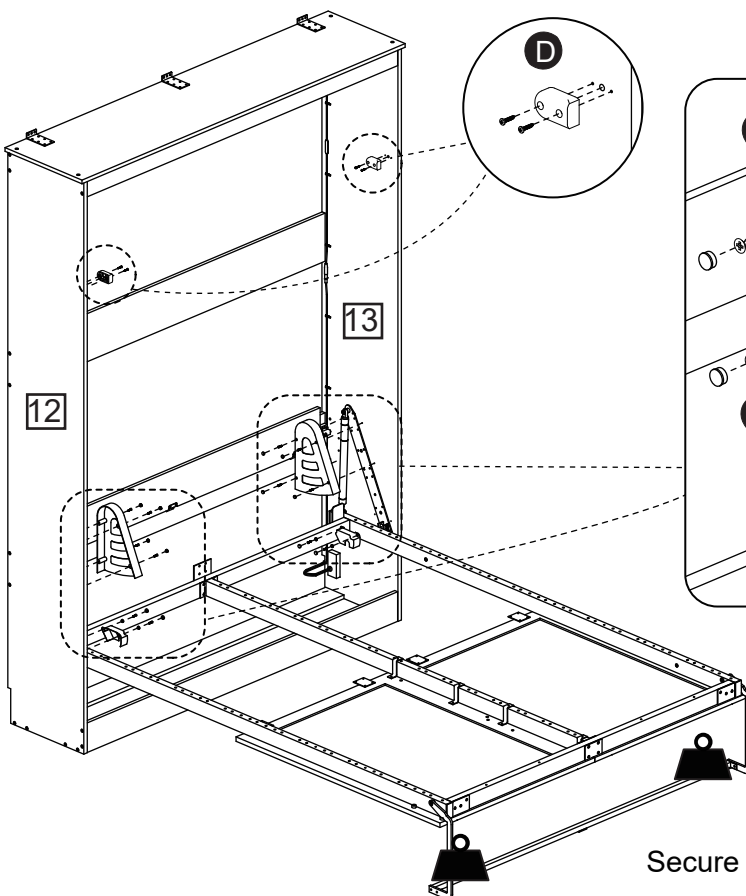
Step 43



Place over 40 kg weight on parts (8) and (9).



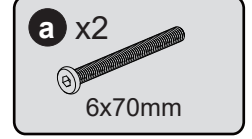
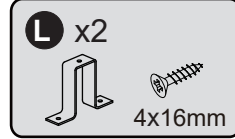
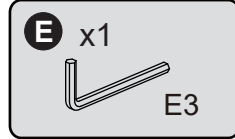
Step 44



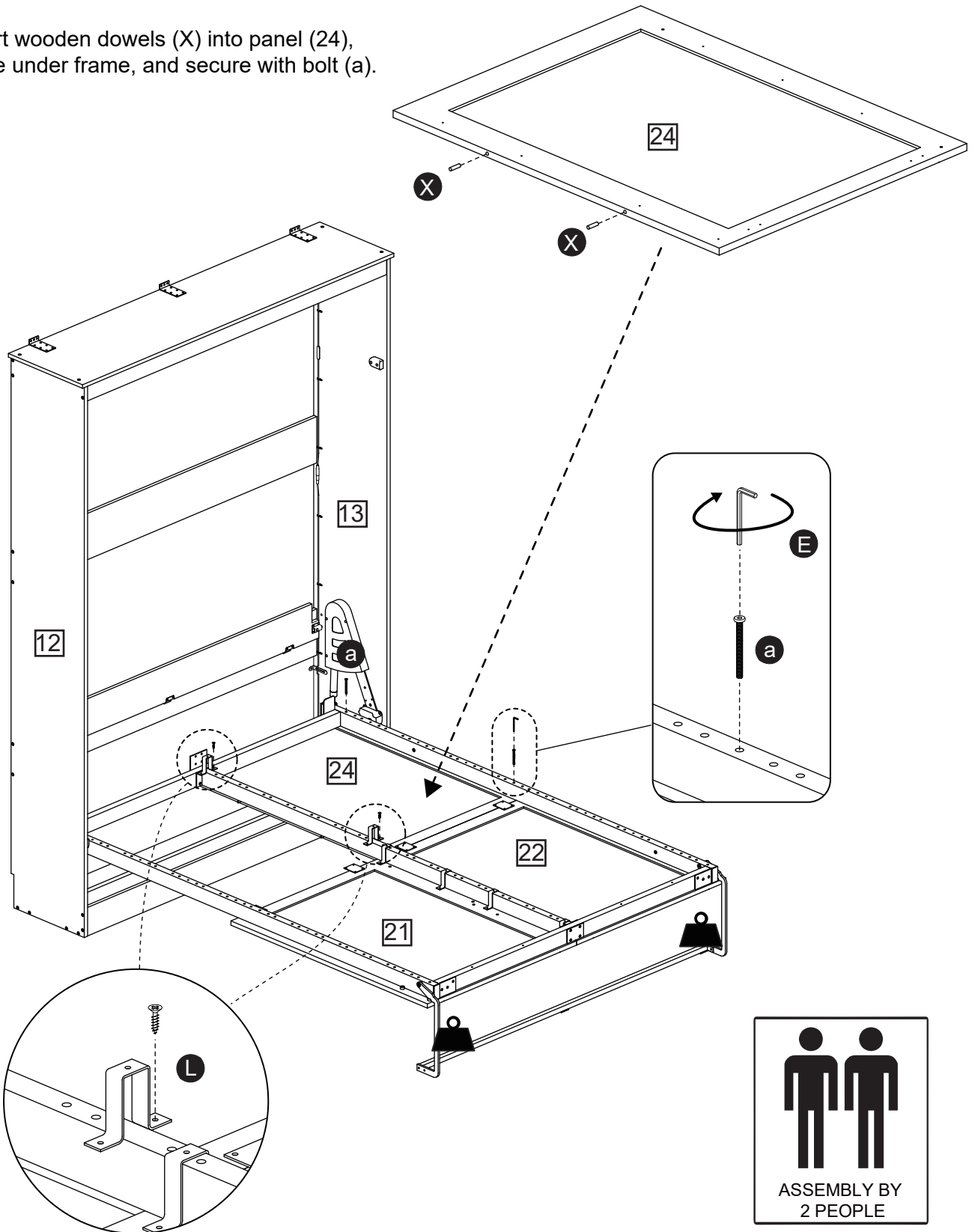
Secure parts (D), (G), and (M) to panels (12) and (13).

Assembly Instructions

Step 45

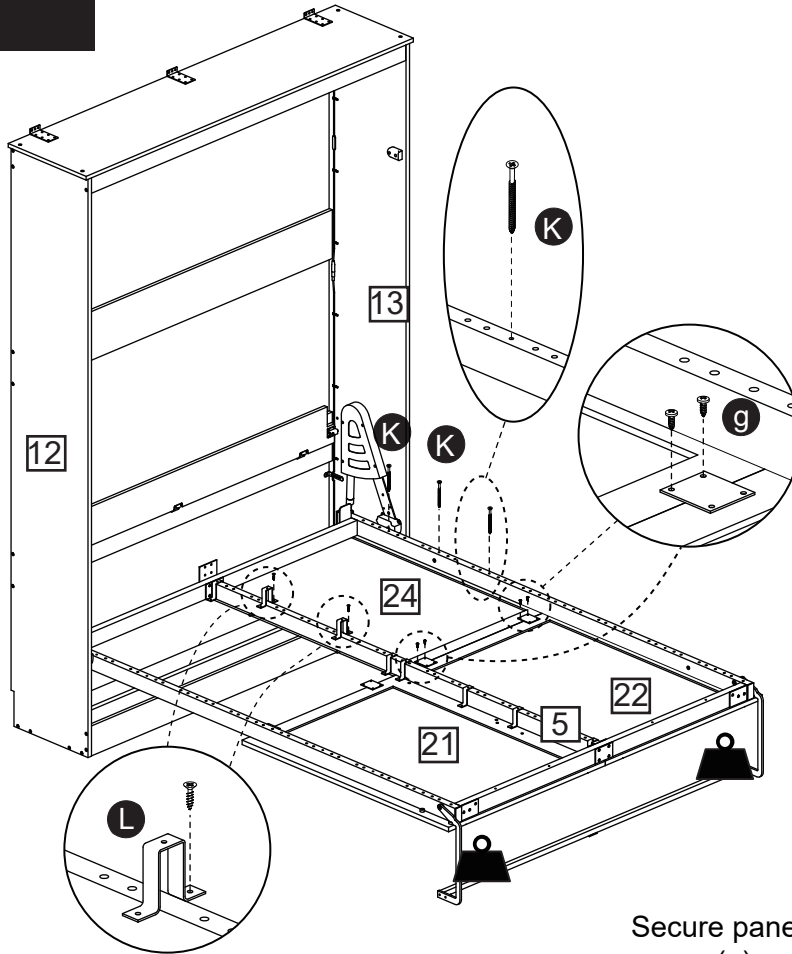


Insert wooden dowels (X) into panel (24), place under frame, and secure with bolt (a).



Assembly Instructions

Step 46



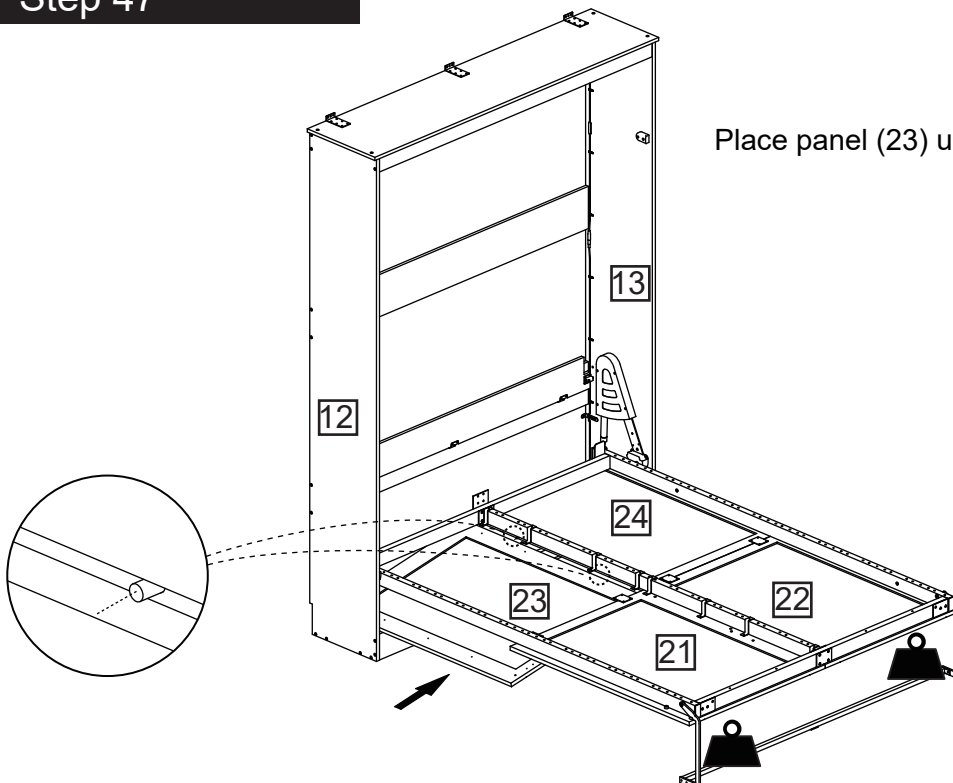
K x3
5x75mm

L x2
4x16mm

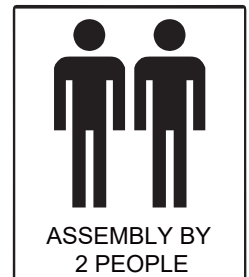
g x4
4x14mm

Secure panel (24) with screw (K), screw (g), and part (L).

Step 47

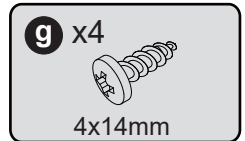
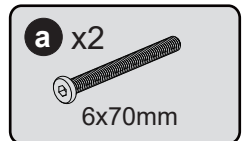
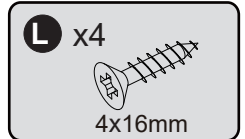
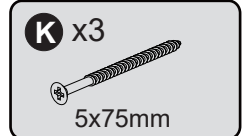
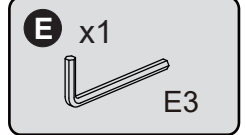
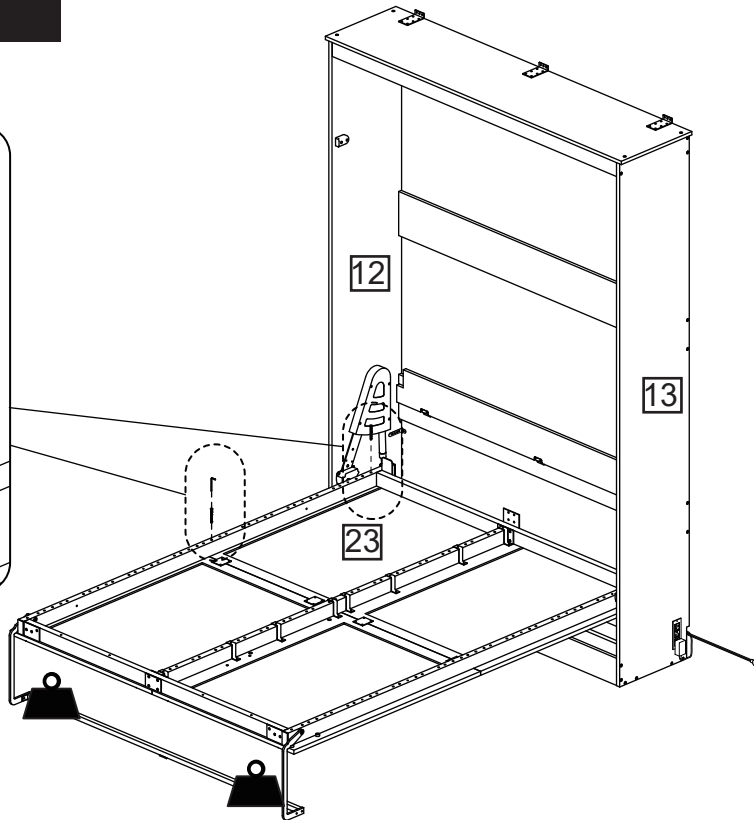
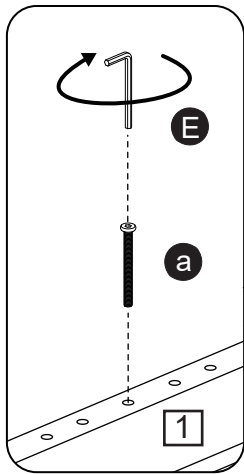


Place panel (23) under frame, align wooden dowels.

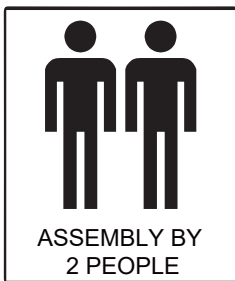


Assembly Instructions

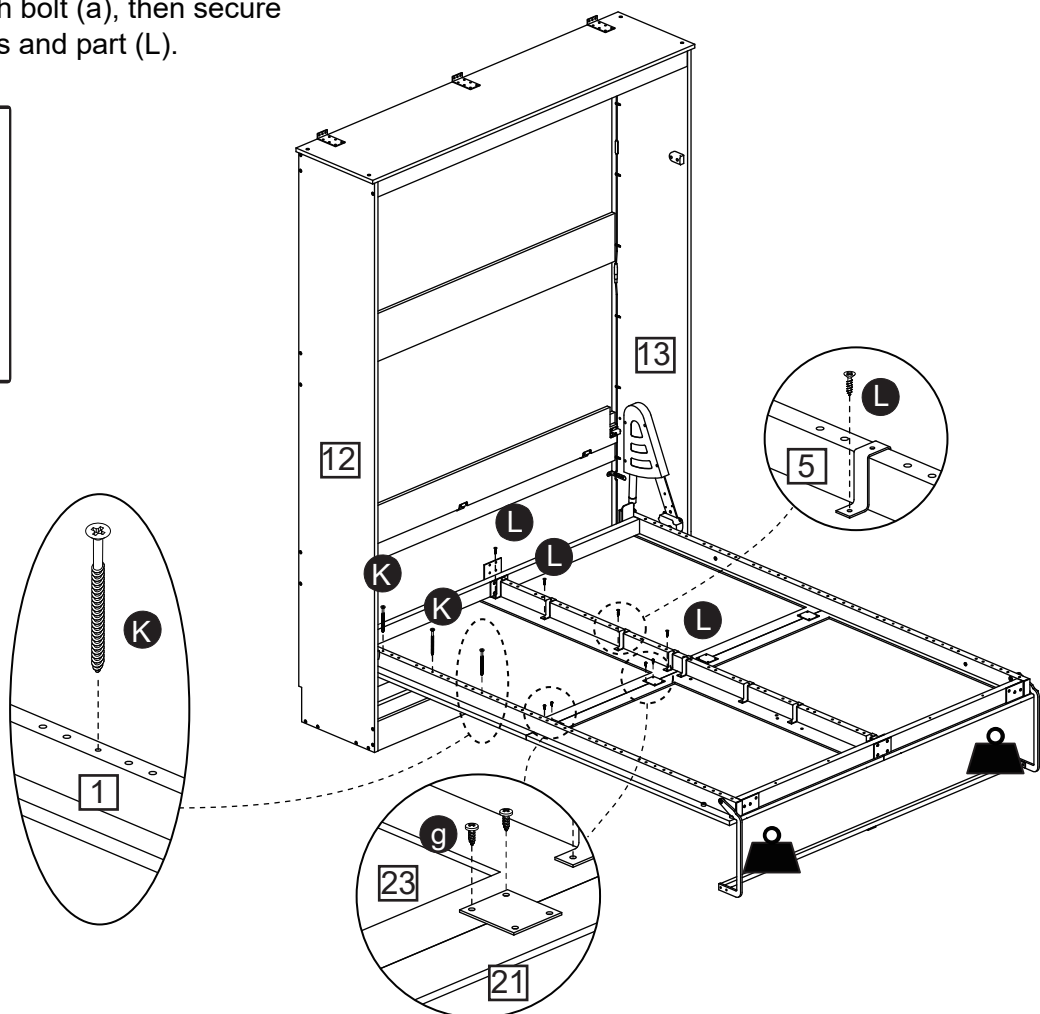
Step 48



Secure panel (23) with bolt (a), then secure panel (24) with screws and part (L).

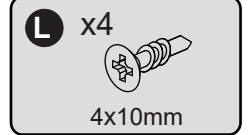
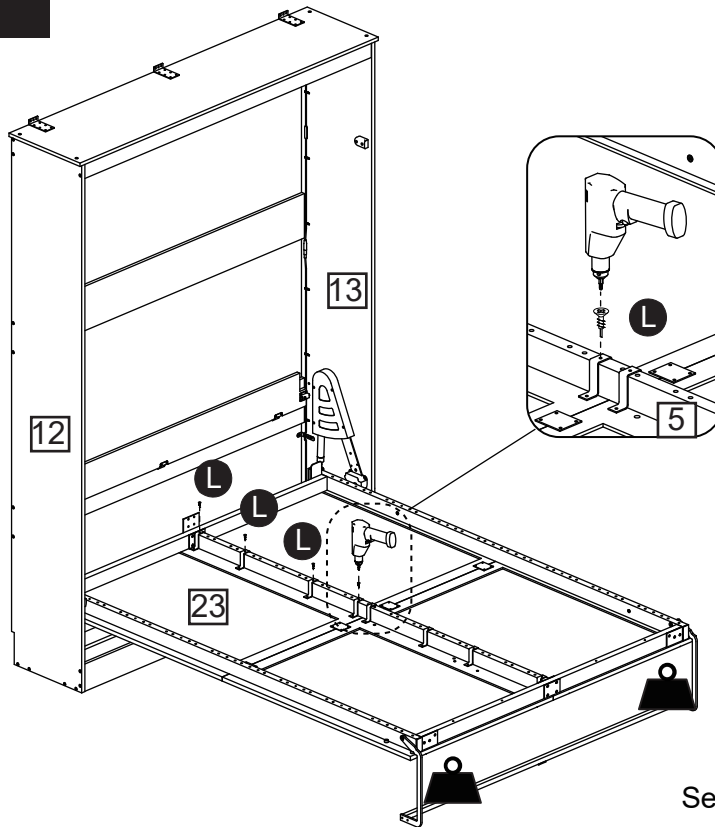


ASSEMBLY BY
2 PEOPLE



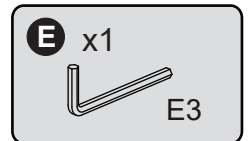
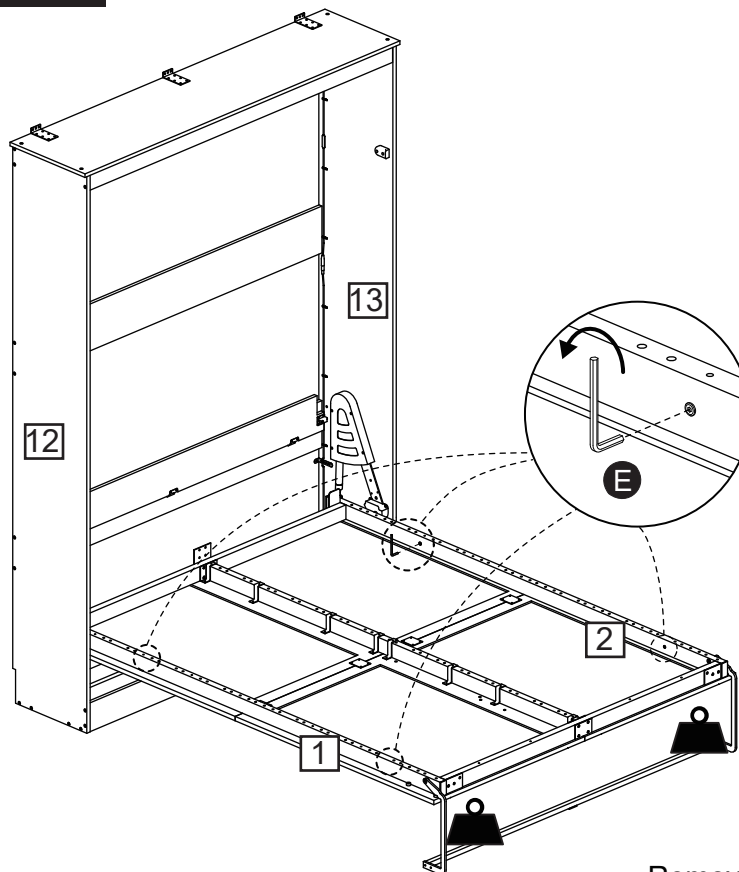
Assembly Instructions

Step 49



Secure frame using part (L).

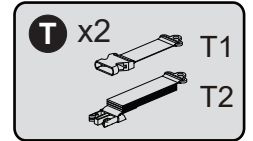
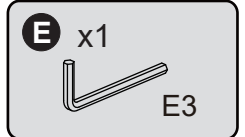
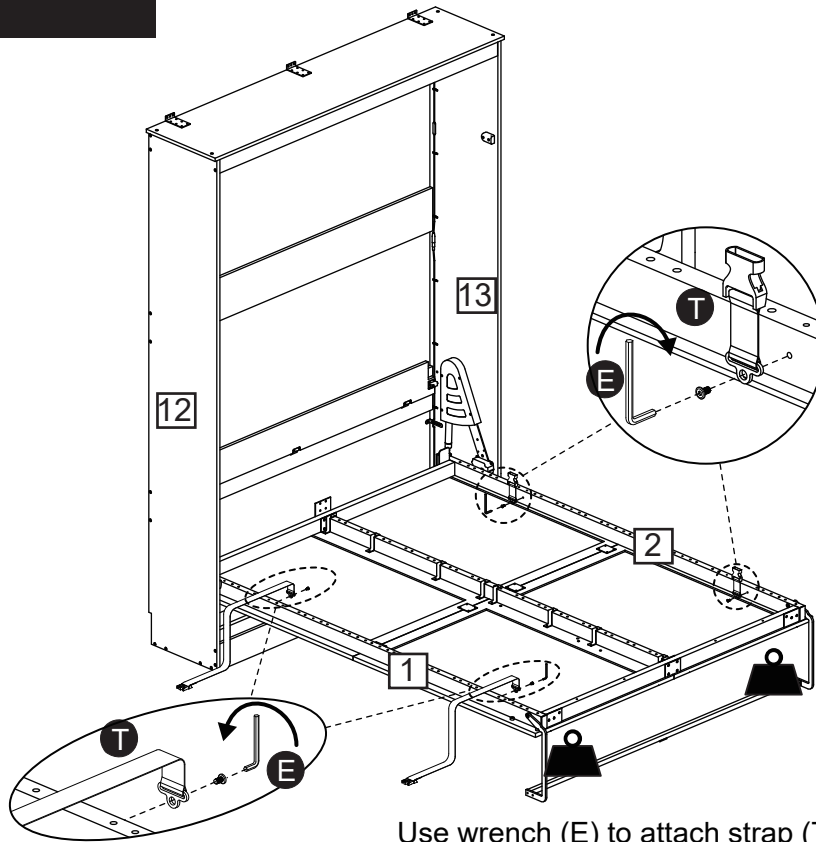
Step 50



Remove bolts from parts (1) and (2).

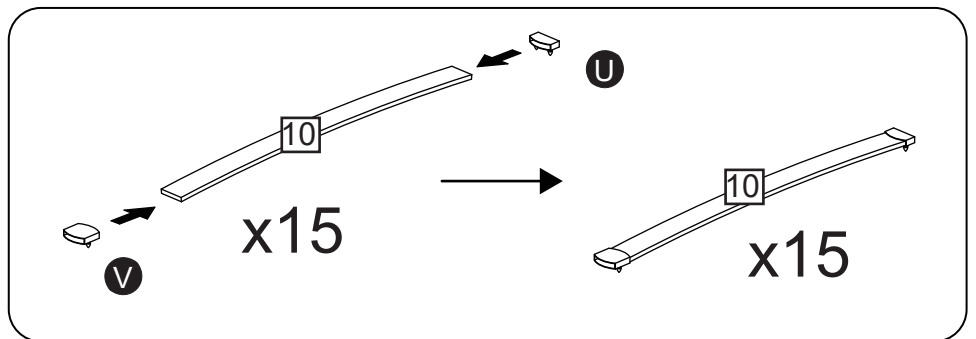
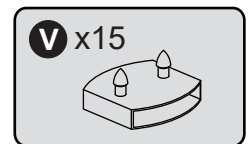
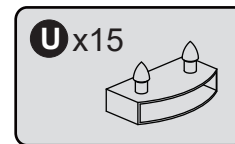
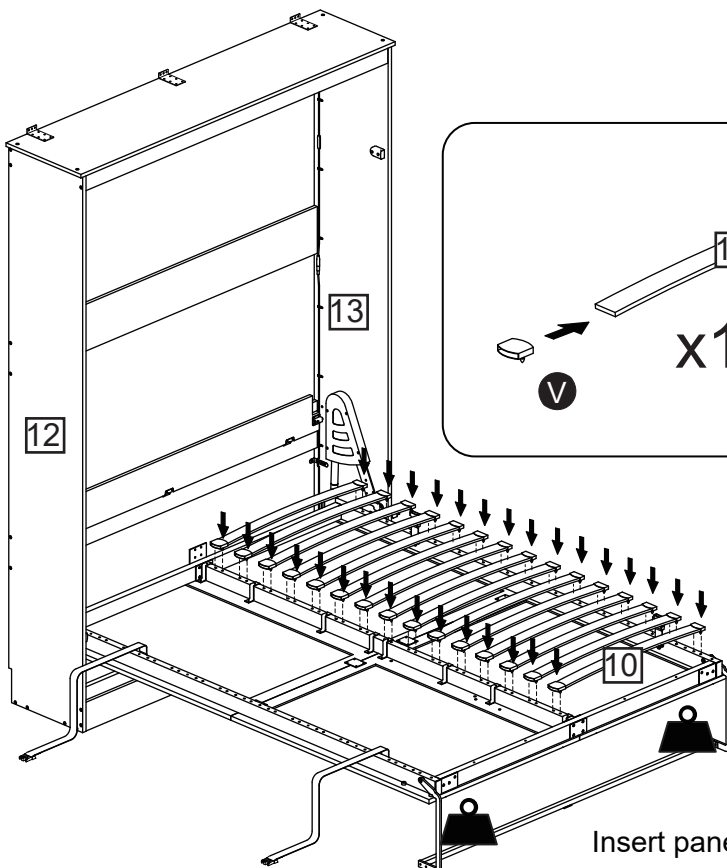
Assembly Instructions

Step 51



Use wrench (E) to attach strap (T) to parts (1) and (2).

Step 52

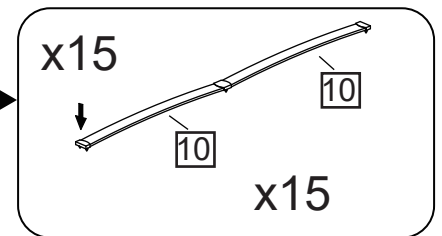
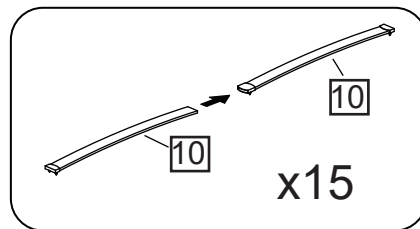
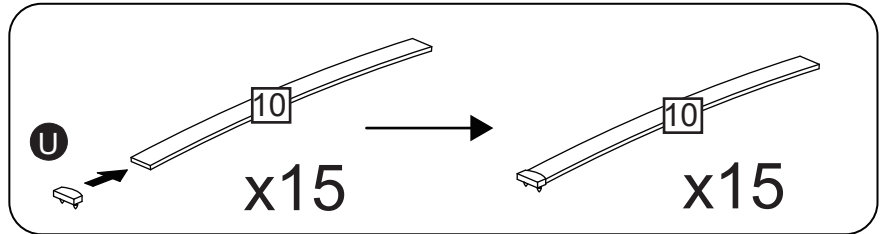
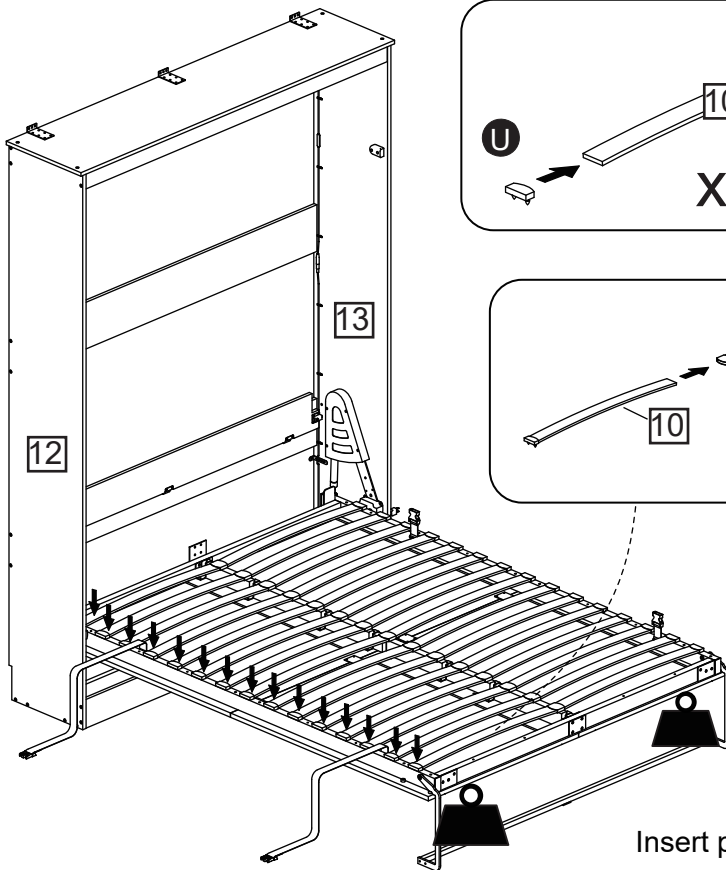
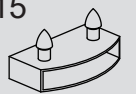


Insert panels (10) into parts (U) and (V), then insert into frame.

Assembly Instructions

Step 53

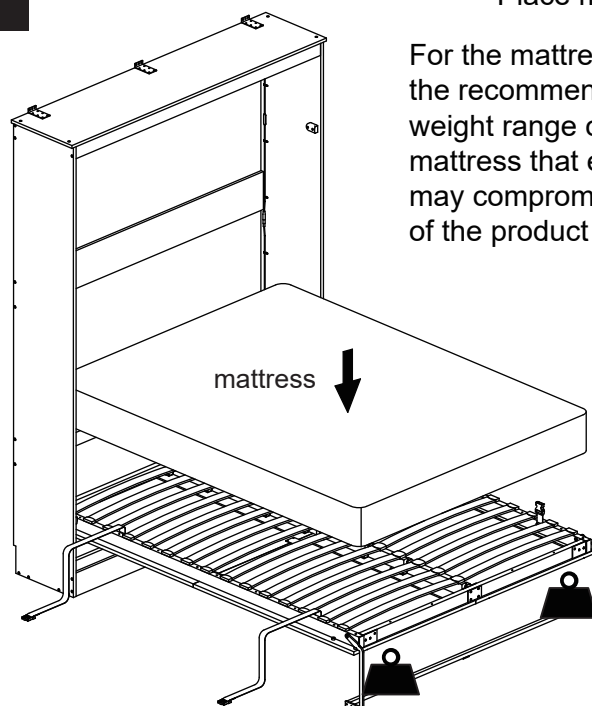
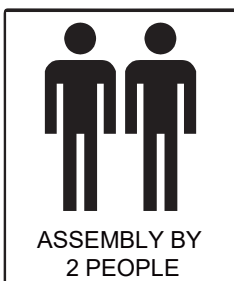
U x15



Insert panels (10) into part (U), then insert into frame.

Step 54

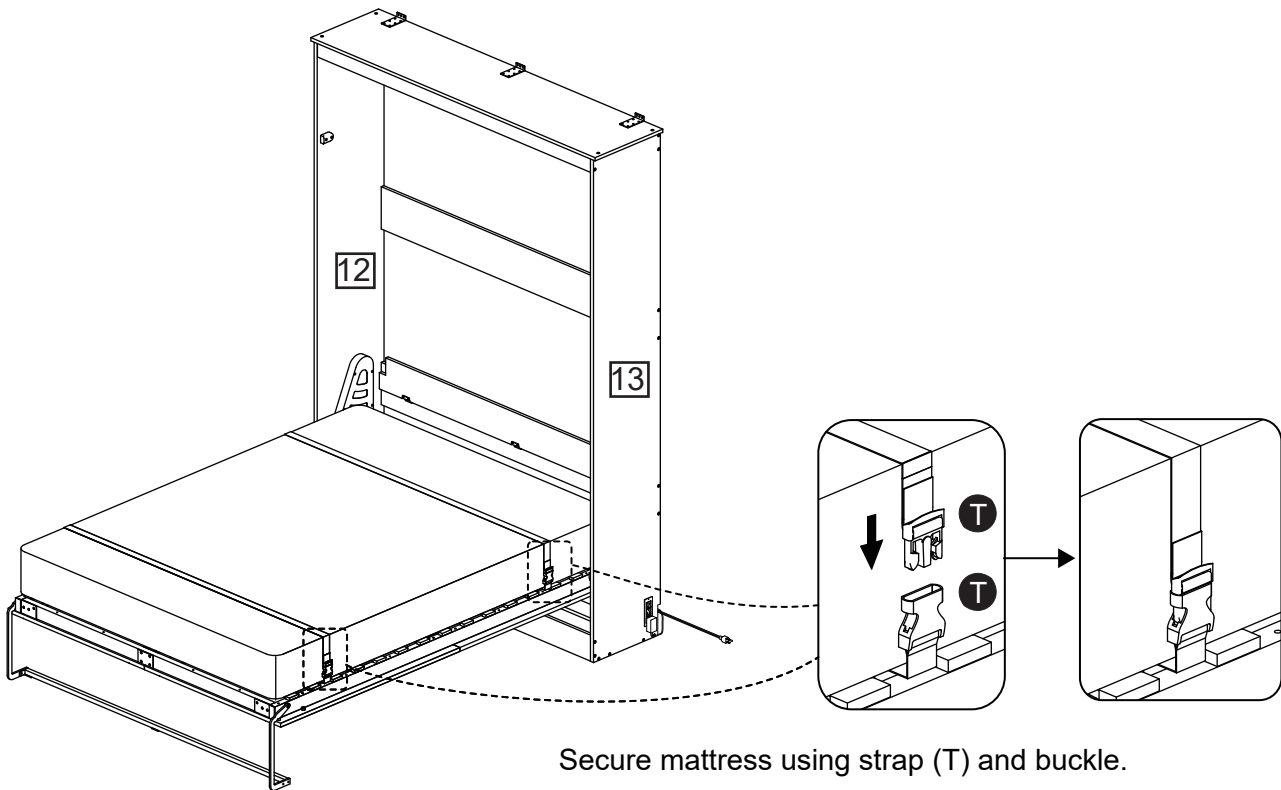
Place mattress onto frame.



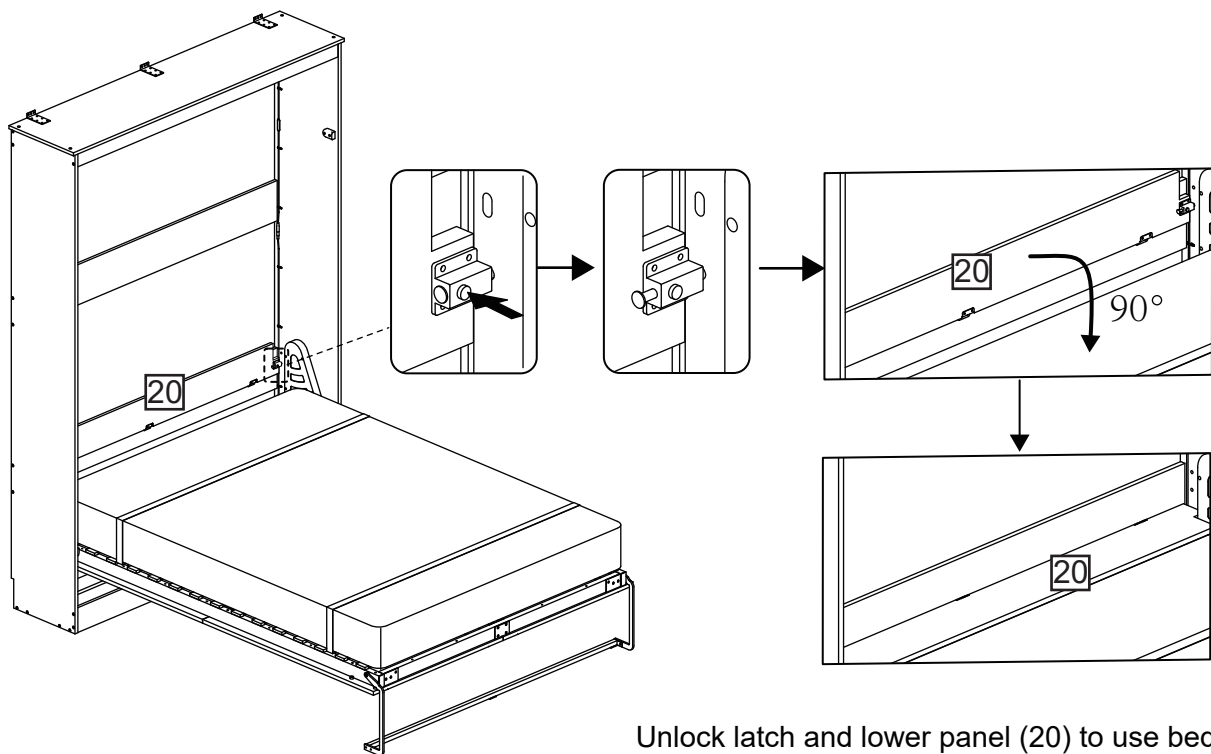
For the mattress used with this model of bed, the recommended weight is 35KG with a suitable weight range of 30KG to 40KG. Do not use a mattress that exceeds this weight range, as this may compromise the safety and structural stability of the product during use.

Assembly Instructions

Step 55

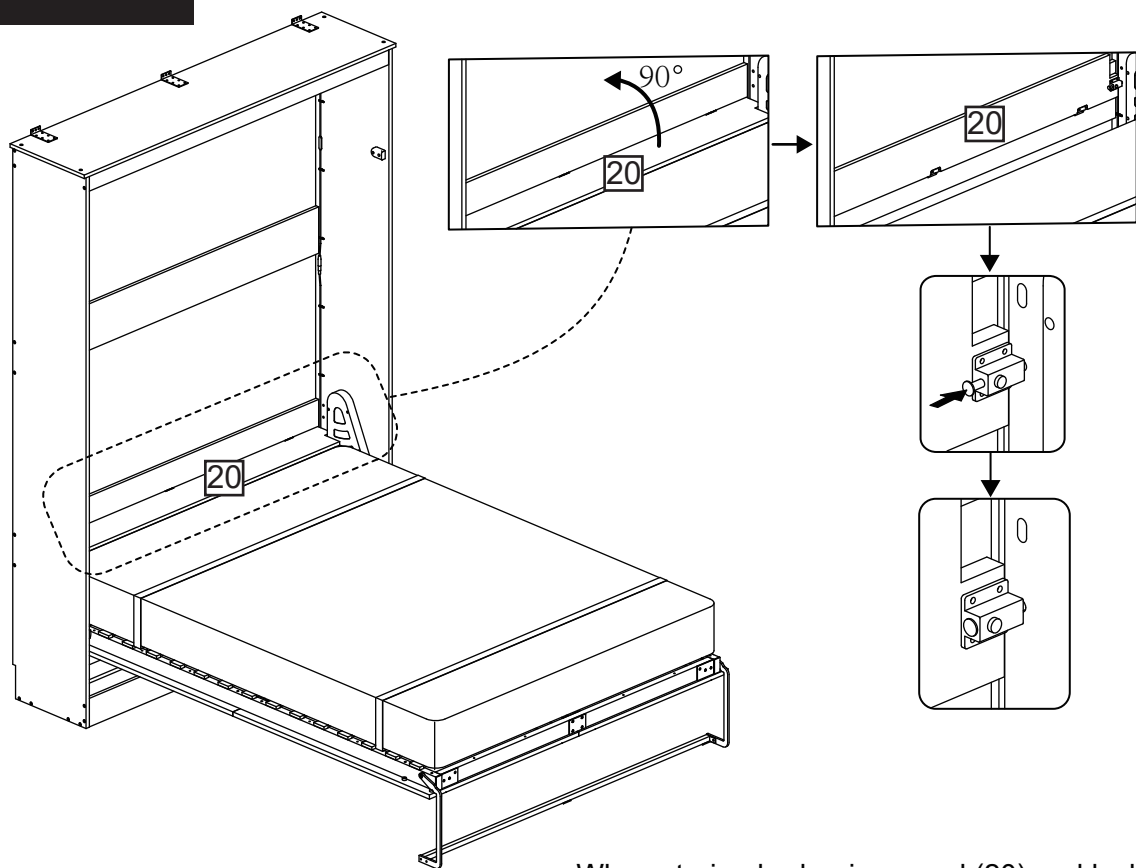


Step 56



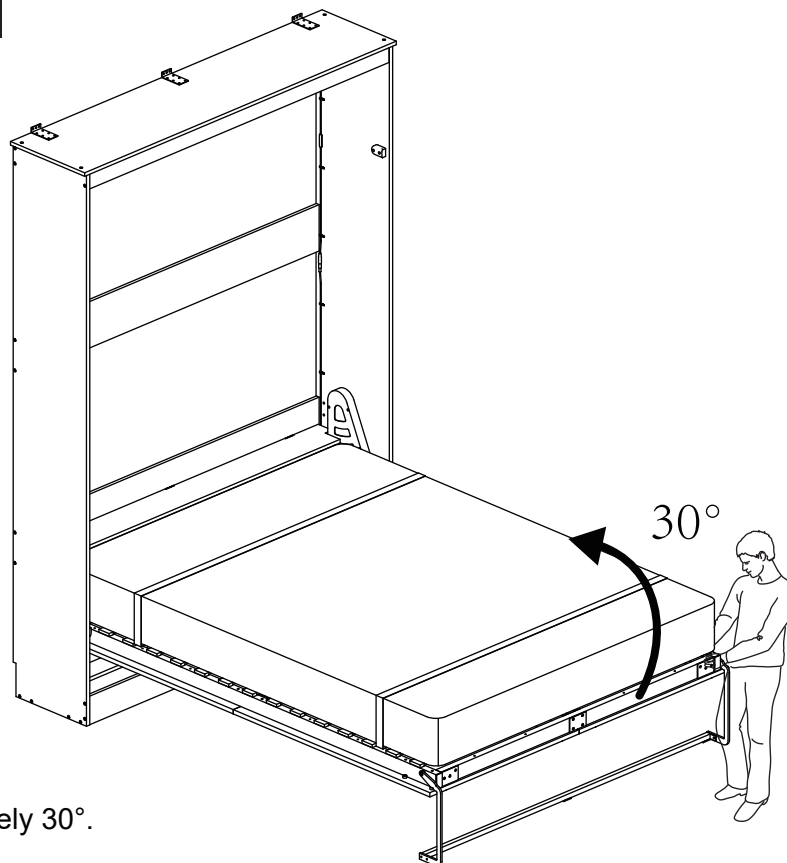
Assembly Instructions

Step 57



When storing bed, raise panel (20) and lock latch.

Step 58

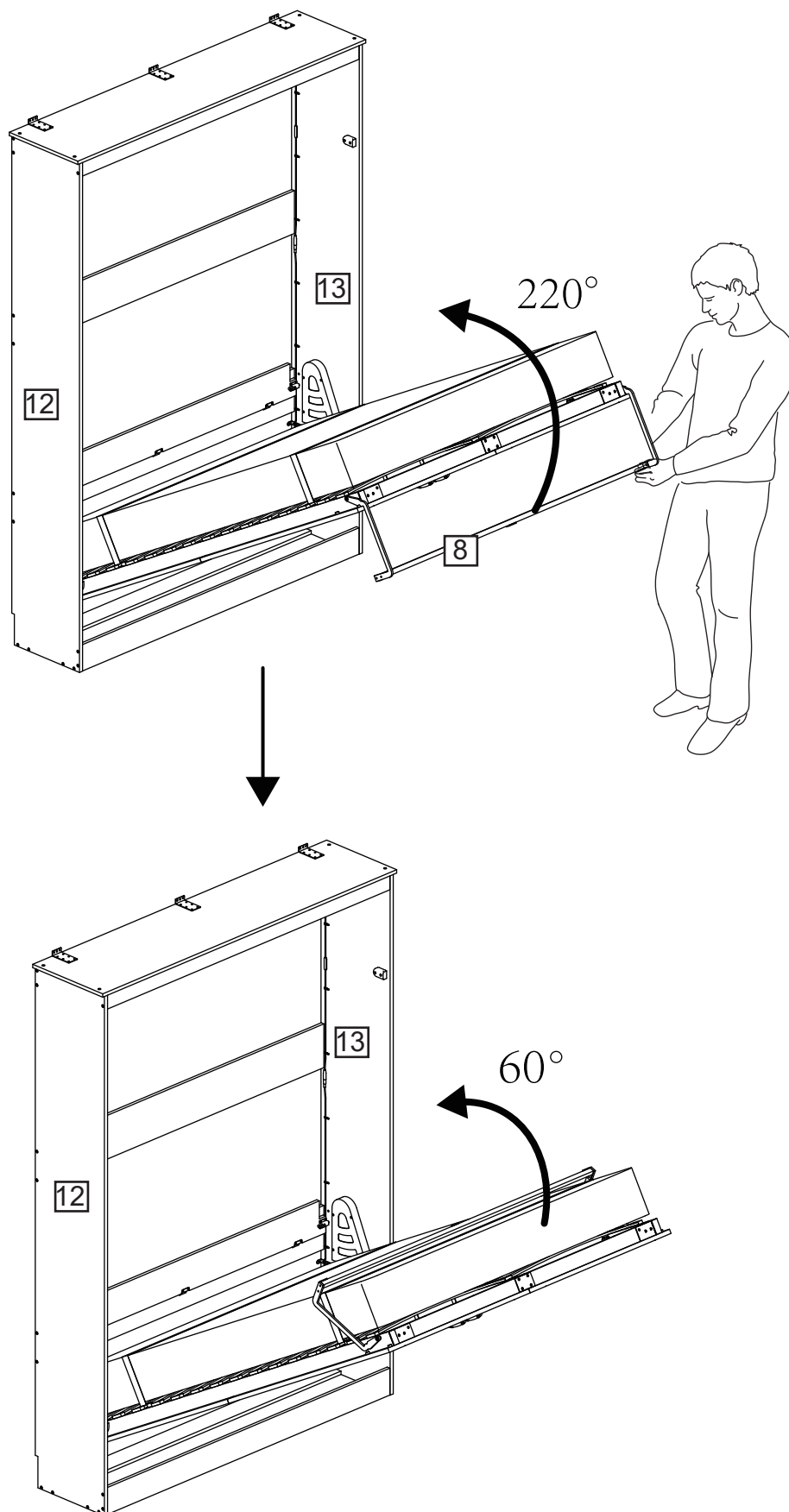


Lift bed frame approximately 30°.

Assembly Instructions

Step 59

Fold bed legs, then lift bed upward.



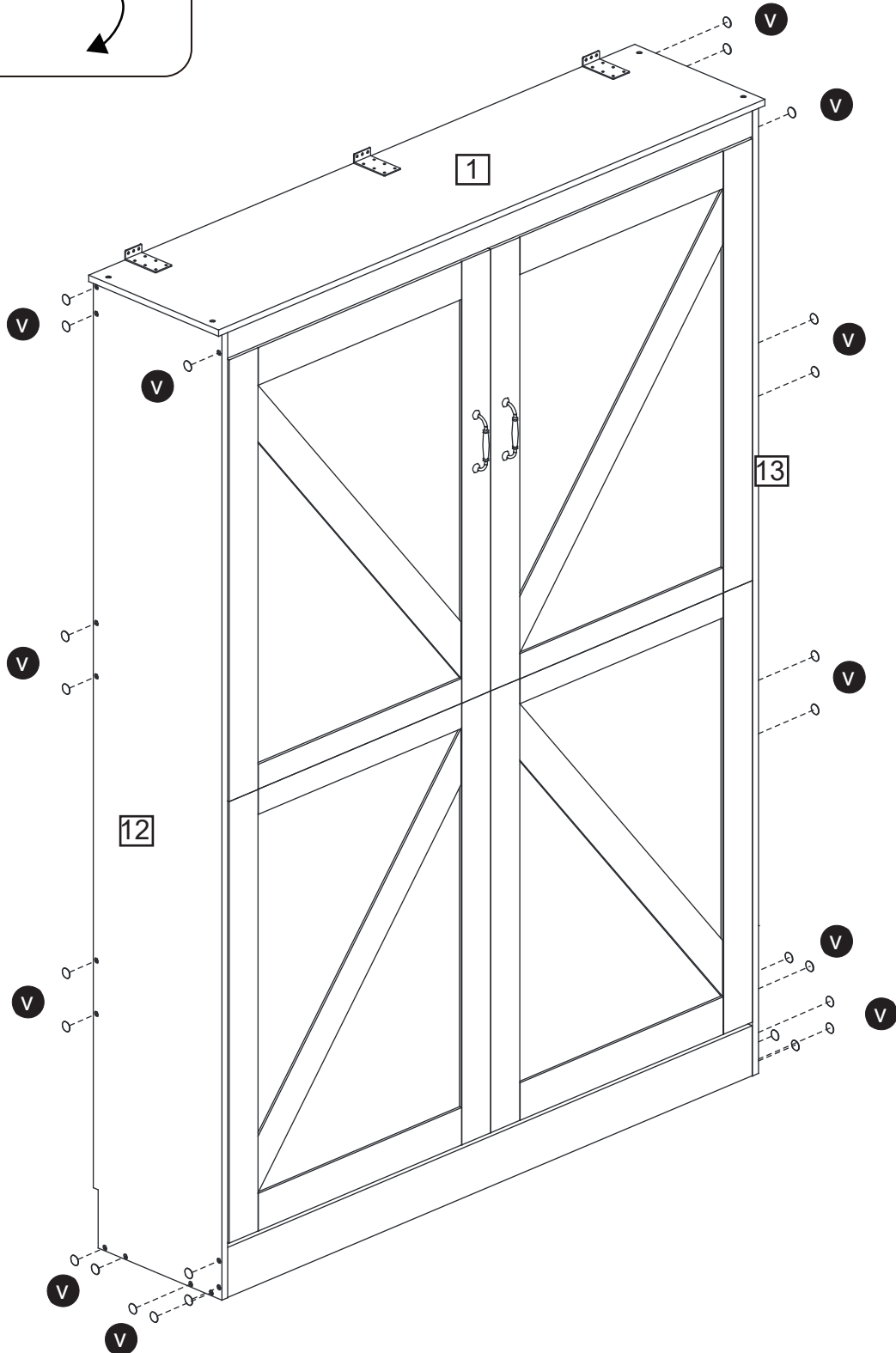
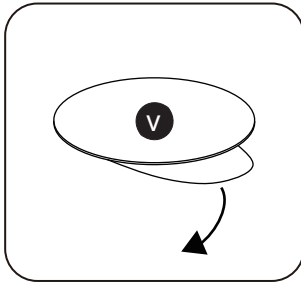
Assembly Instructions

Step 60

V x26



Attach part (V) to panels (12) and (13).

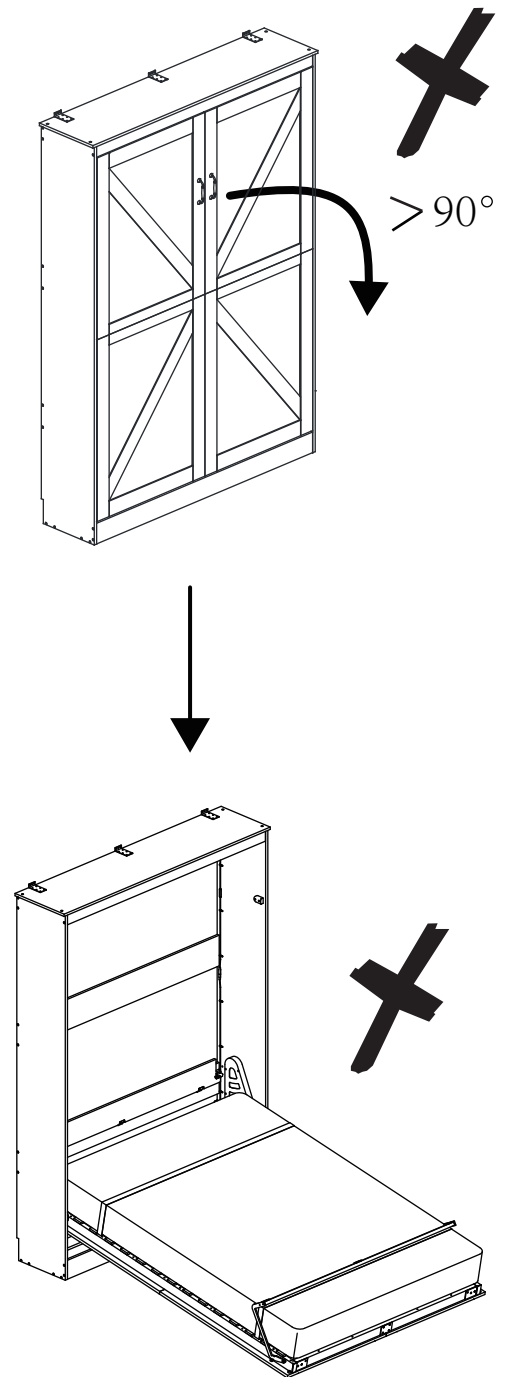
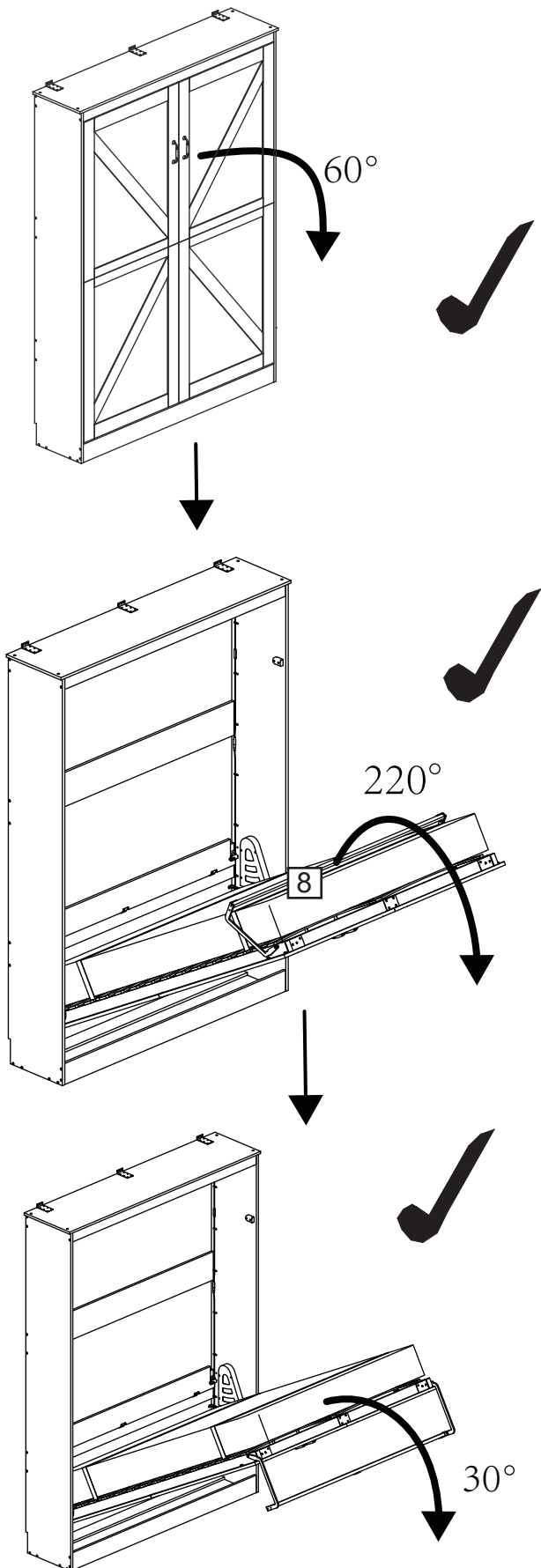


Assembly Instructions

Step 61

Lower bed frame 30°, rotate part (8) 220°, then lower frame fully.

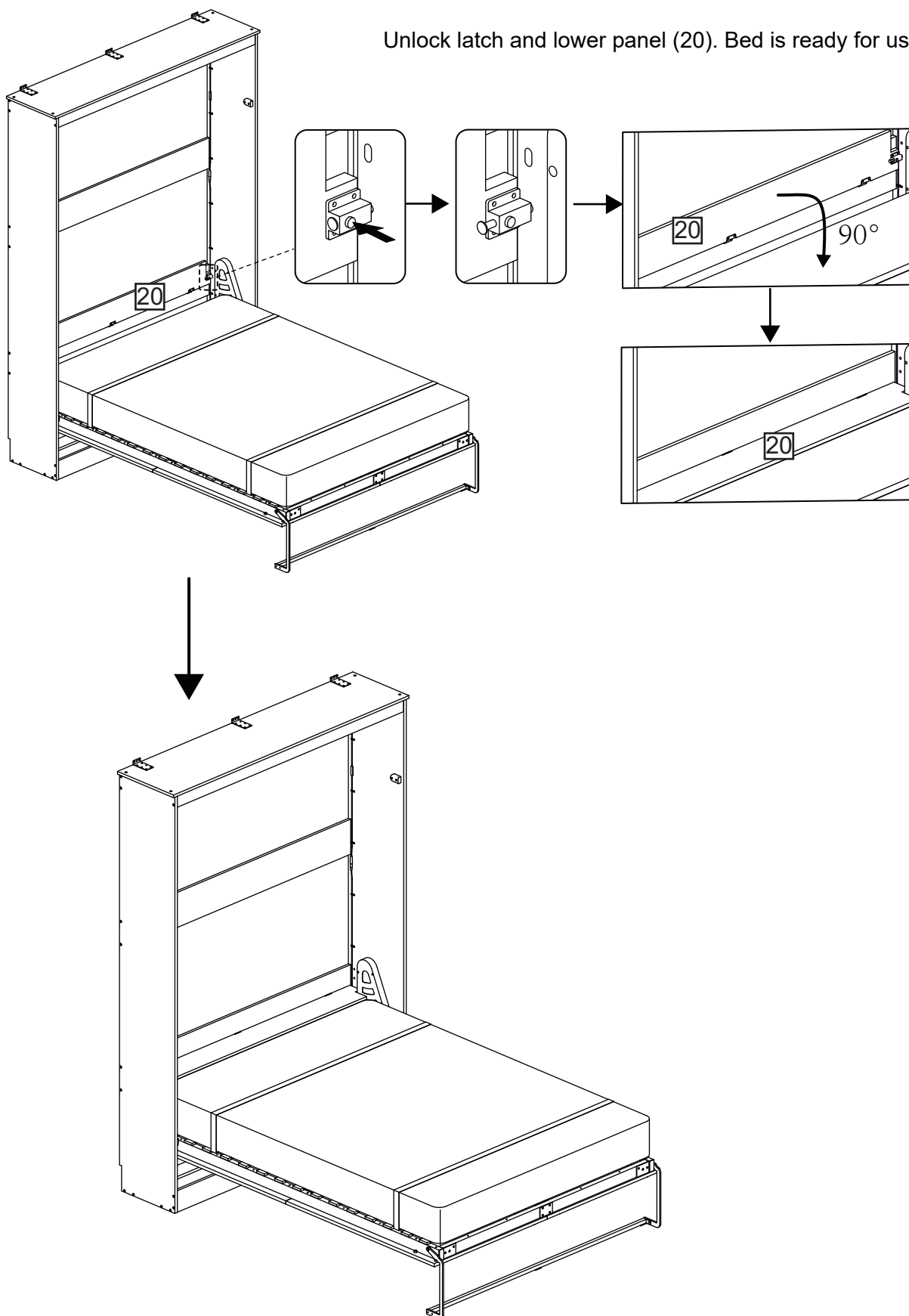
Do not exceed 90° if part (8) not rotated.



Assembly Instructions

Step 62

Unlock latch and lower panel (20). Bed is ready for use.



A Guide to Wall Mounting & Fixings

Important note:

If plastic wall plugs (rawl plugs) are supplied with your product, e.g.:



- these are only suitable for use in masonry walls.

If you are in any doubt about the correct wall plugs for your wall, seek professional advice.


Failure of the product due to using the incorrect fixings is the responsibility of the installer.



Important: when drilling into walls always check that there are no hidden wires or pipes etc.

Make sure that the screws and wall plugs being used are suitable for **supporting your unit**. **Consult a qualified tradesperson if you are unsure.**

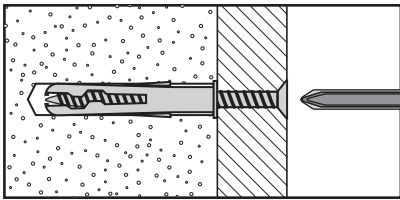
Hints:

- 1: General rule:  always use a larger screw and wall plug if you are not sure.
- 2: Ensure you use the recommended drill bit to match the wall plug and hole size.
- 3: Ensure you drill the hole horizontally; do not force the drill or enlarge the hole.
- 4: Take extra care when drilling high walls, ceilings and ceramic tiles. Ensure wall plugs are inserted beyond the thickness of the ceramic tiles to avoid the tiles splitting or cracking.
- 5: Ensure wall plugs are well fitted and are a tight fit in the drilled hole.

Types of walls

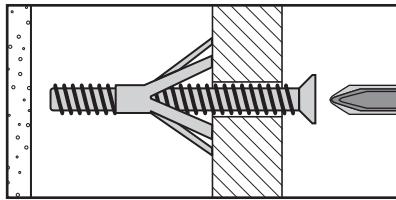
You can use one of the following types of wall plug if your walls are made of brick, breeze block, concrete, stone or wood.

No.1 "General Purpose" wall plug



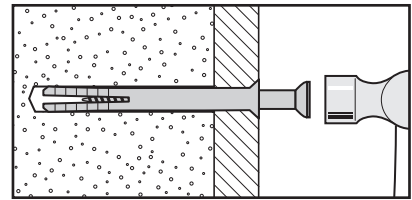
Generally aerated blocks should not be used to support heavy loads, use a specialist fitting in this case. For light loads, general purpose wall plugs can be used.

No.3 "Cavity Fixing" wall plug



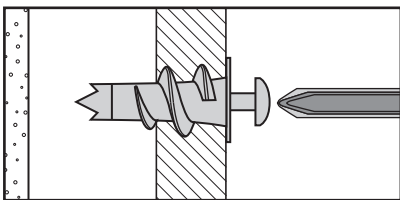
For use with plasterboard partitions or hollow wooden doors.

No.5 "Hammer Fixing" wall plug



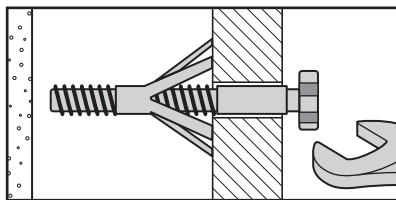
For use with walls stuck with plasterboard. The hammer fixing allows it to be fixed to the wall rather than the plasterboard. Always check the fixing is secure to the retaining wall.

No.2 "Plasterboard" wall plug



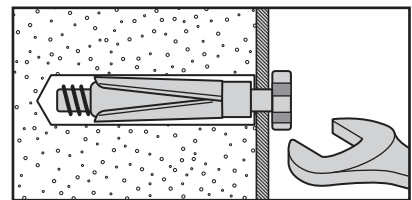
For use when attaching light loads onto plasterboard partitions.

No.4 "Cavity Fixing - Heavy Duty" wall plug



For use when fitting or supporting heavy loads such as shelving, wall cabinets and coat racks.

No.6 "Shield Anchor" wall plug - heavy loads



For use with heavier loads such as TV and HiFi speakers and satellite dishes etc.



Care & Maintenance

Safety: always check the fitting and location to ensure your safety in and around the home.

Fitting: from time to time check the fitting to ensure the wall plugs or screws do not become loose.

| Murphy Bed

Sku:

BH18ZB-1Q0A1

BH18ZB-1Q0A2

BH18ZB-1Q0B1

BH18ZB-1Q0B2

V1.0