

MILANO PREMIUM CANTILEVER UMBRELLA



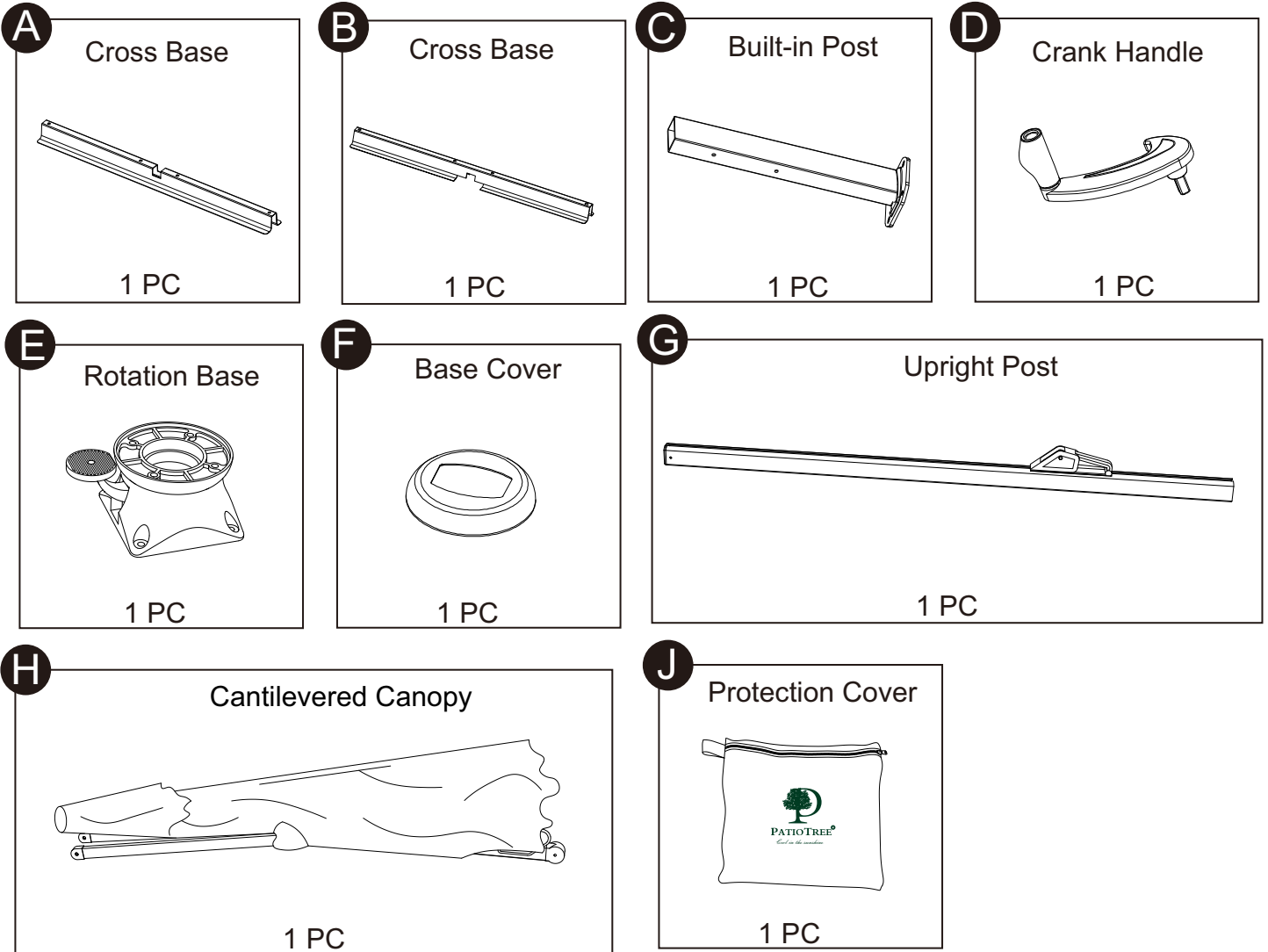
ASSEMBLY INSTRUCTIONS:

- * Before assembling, make sure that you lay out and identify all parts listed in the parts list.
- * All bolts should be hand tightened before use. Better don't or must carefully use power tools or excessive force during assembly and tightening of bolts.
- * Please place the umbrella on a flat clean and protected surface during assembly.
- * Before start of using, make sure the weight on the base is enough. we suggest it's 220 LBS or more.

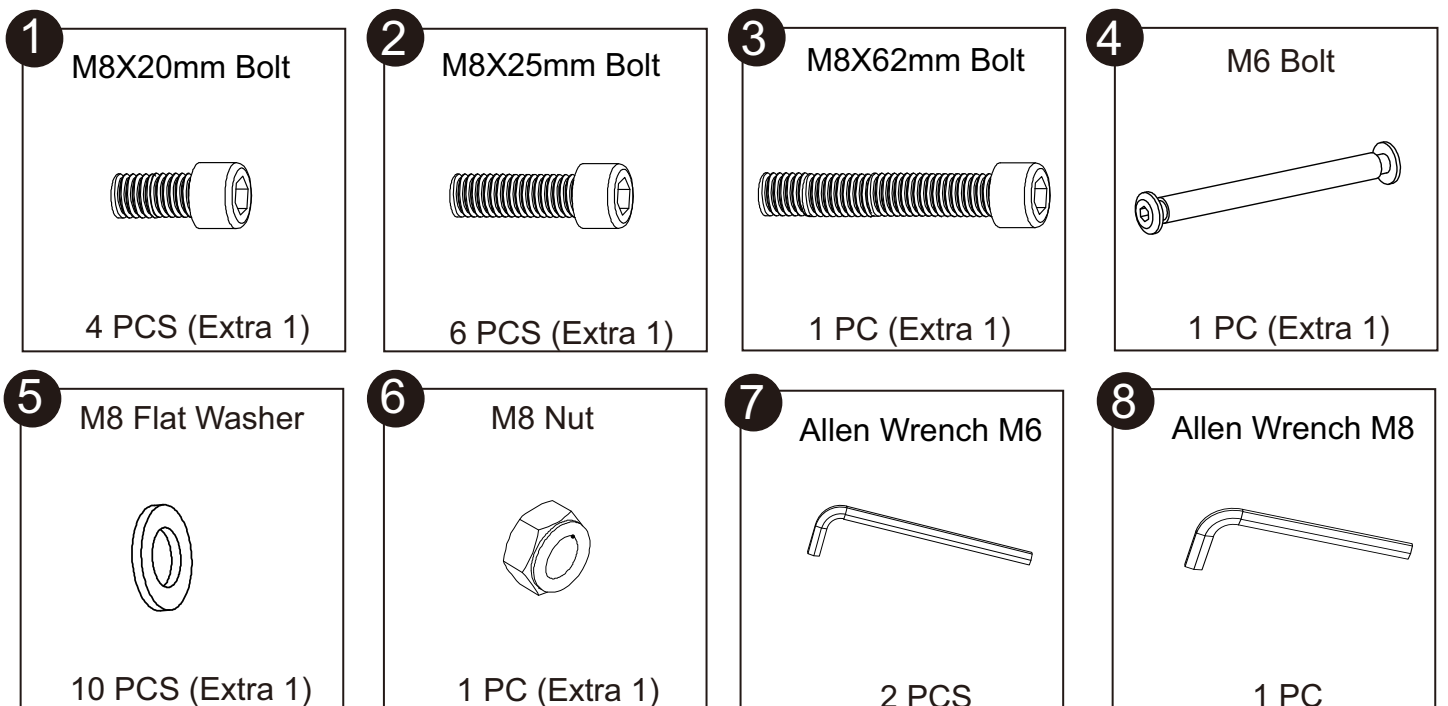
CARE INSTRUCTIONS:

- * When not in use, always keep the umbrella in the closed position.
- * If long time not in use, please cover it with store protection cover we supplied and in a safety place.
- * In case of storm, umbrella should be immediately dismantled and stored safely otherwise it can be blown away causing damage or could harm people within the reach.

PARTS

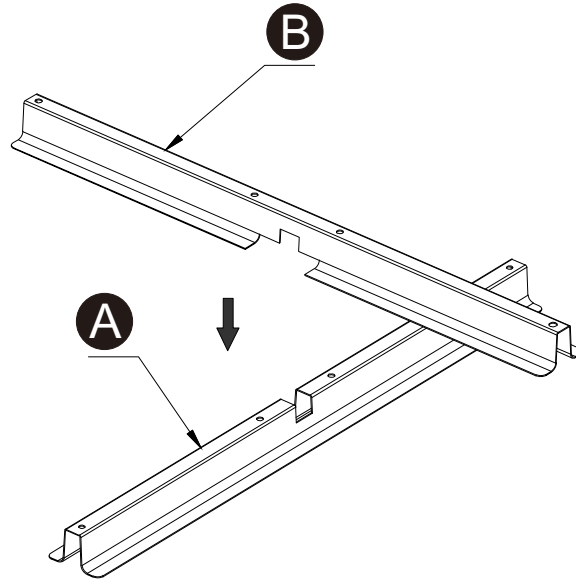


HARDWARE

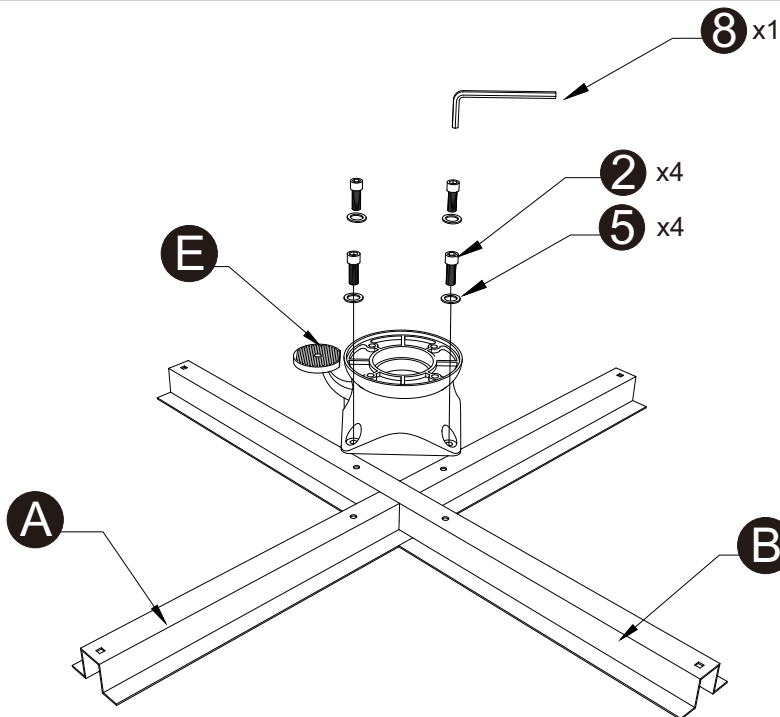


PARTS

1



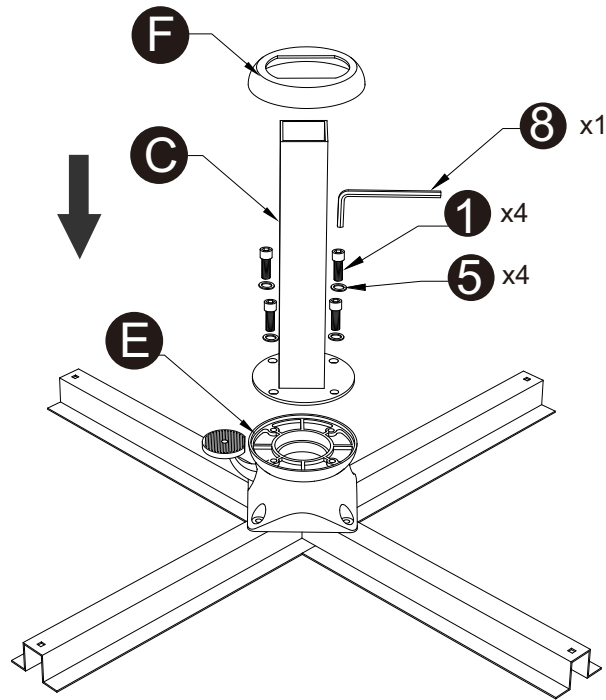
2



NOTE: Please fully tighten all bolts at this time.

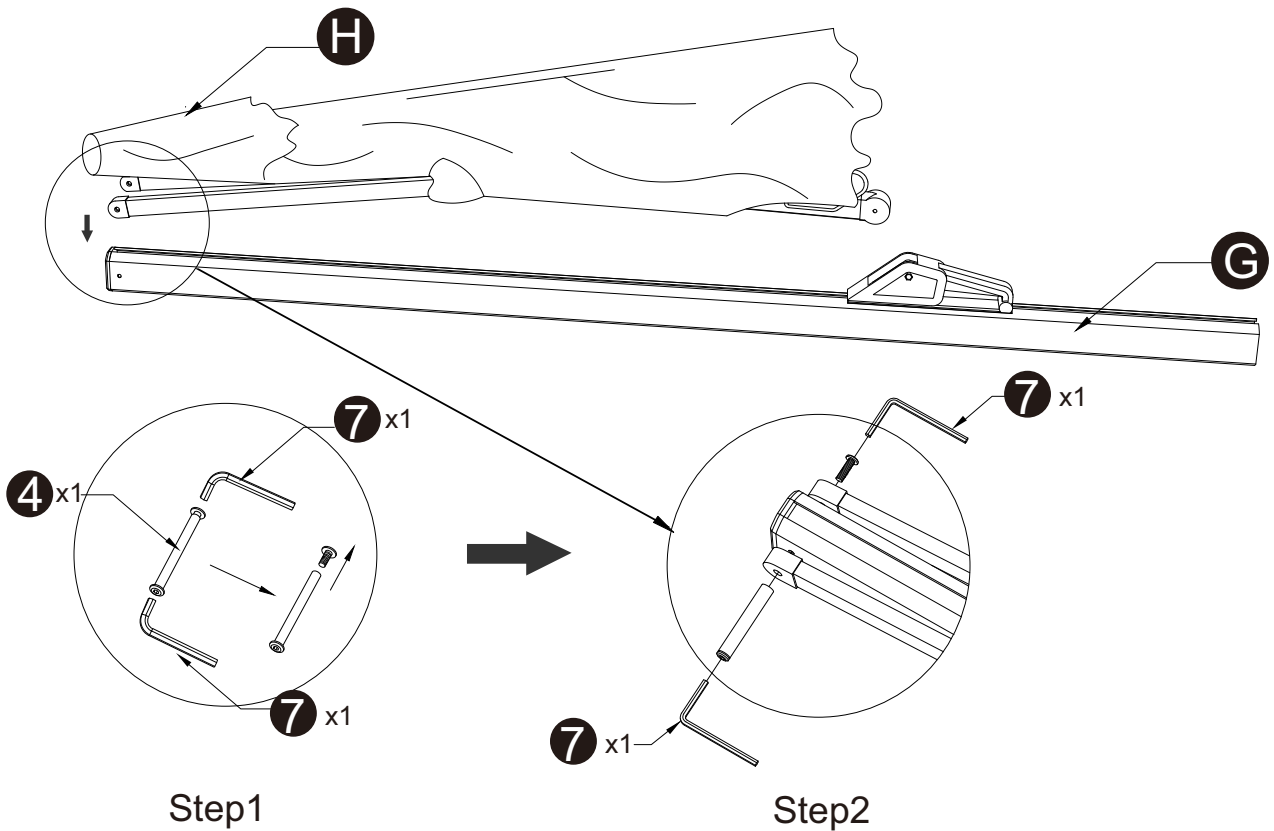
PARTS

3



NOTE: Please fully tighten all bolts at this time.

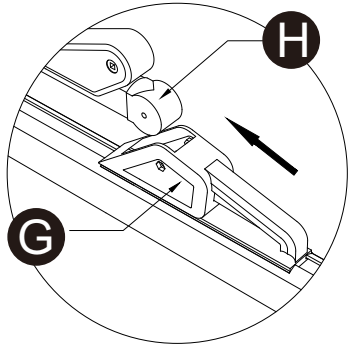
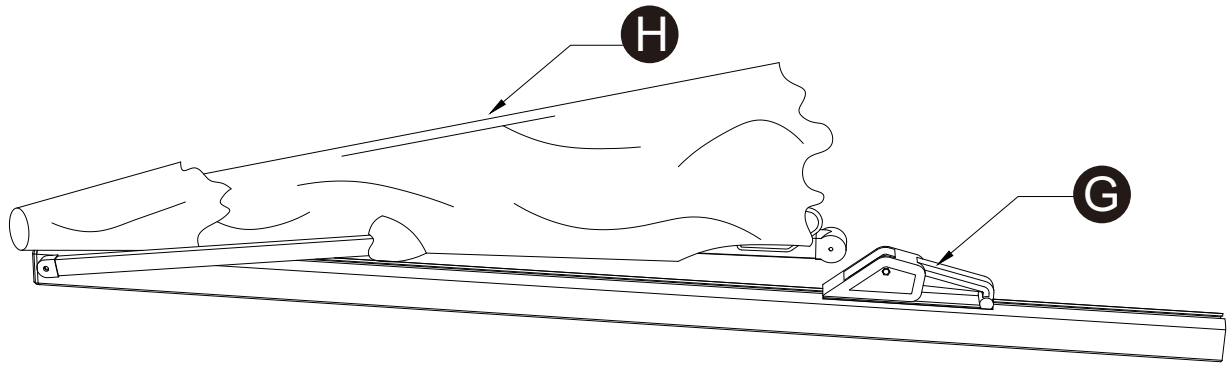
4



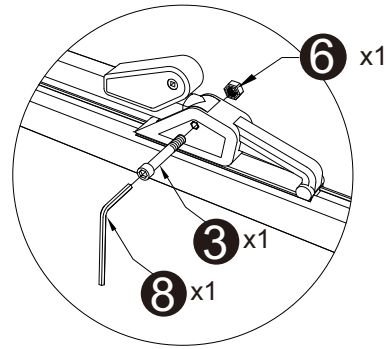
NOTE: Please fully tighten all bolts at this time.

PARTS

5



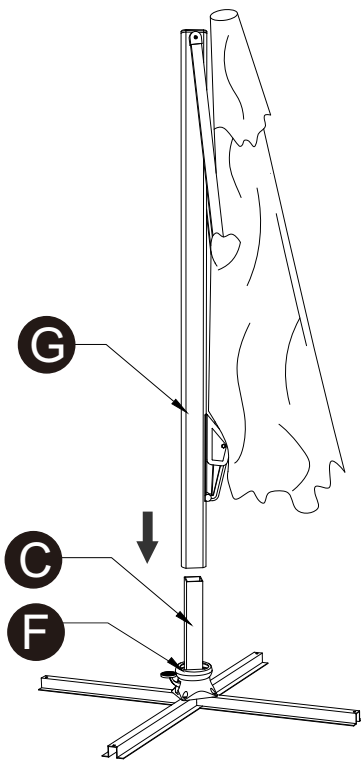
Step1



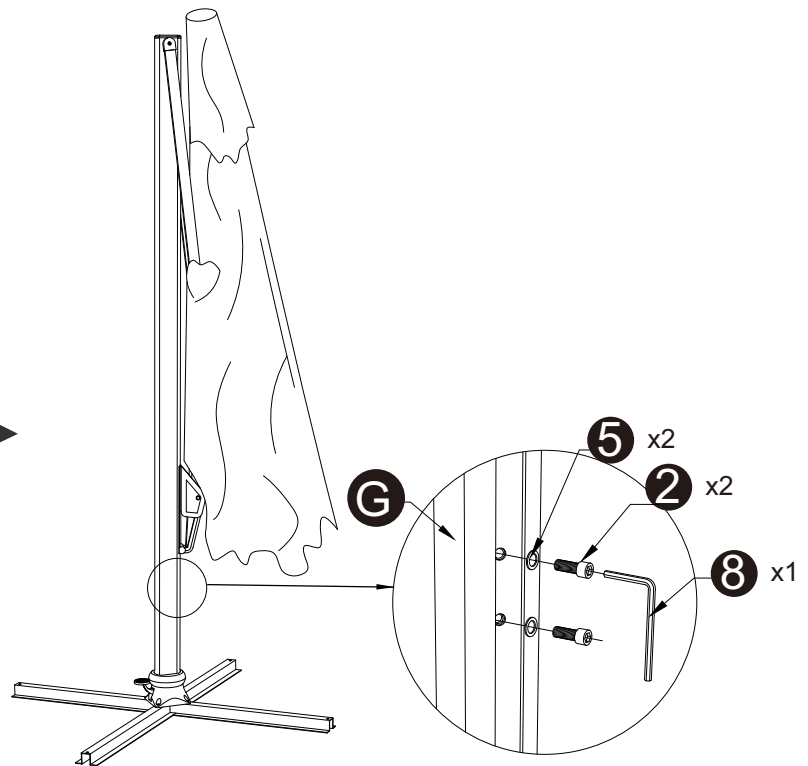
Step2

NOTE: Please fully tighten all bolts at this time.

6



Step1

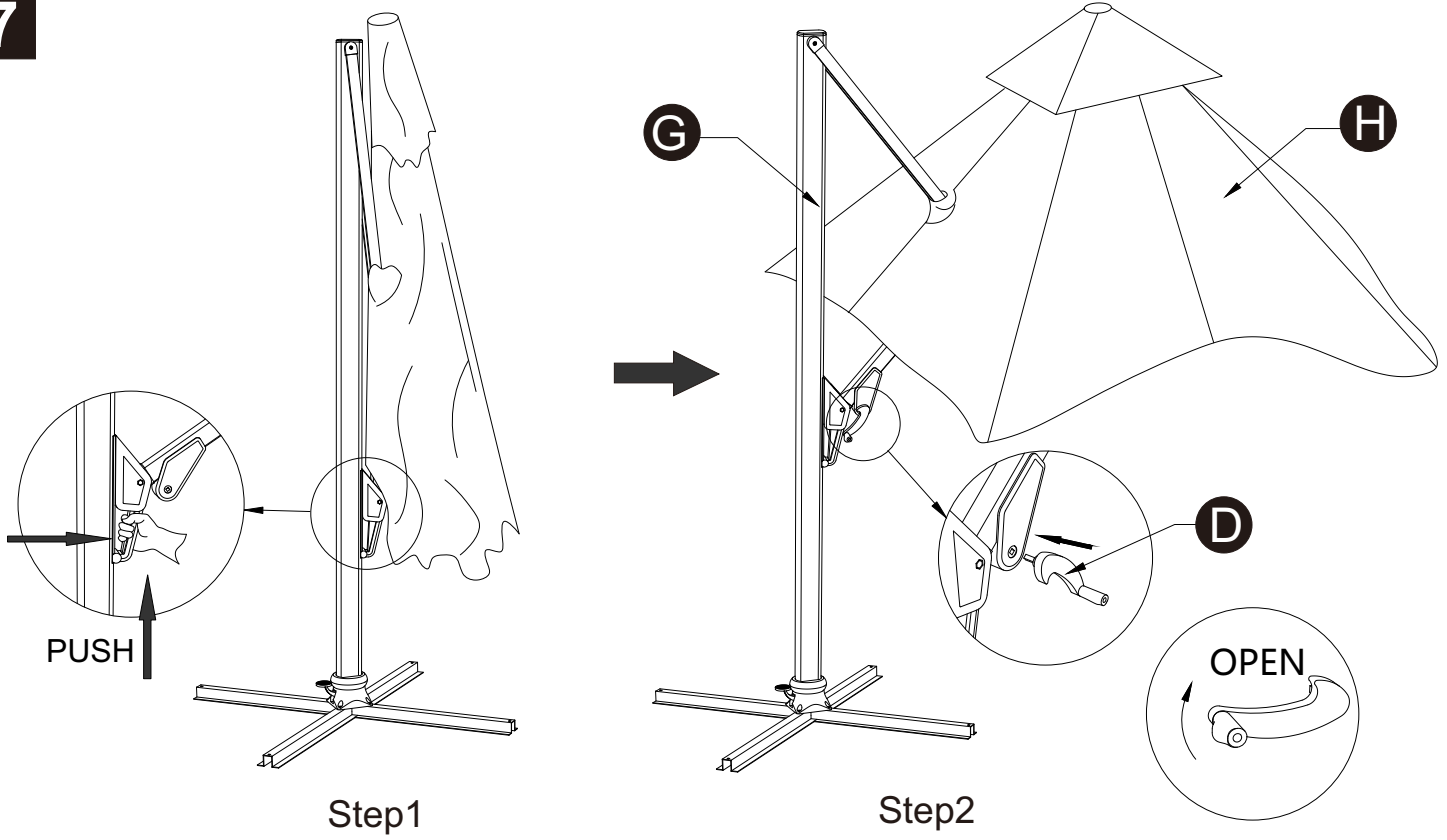


Step2

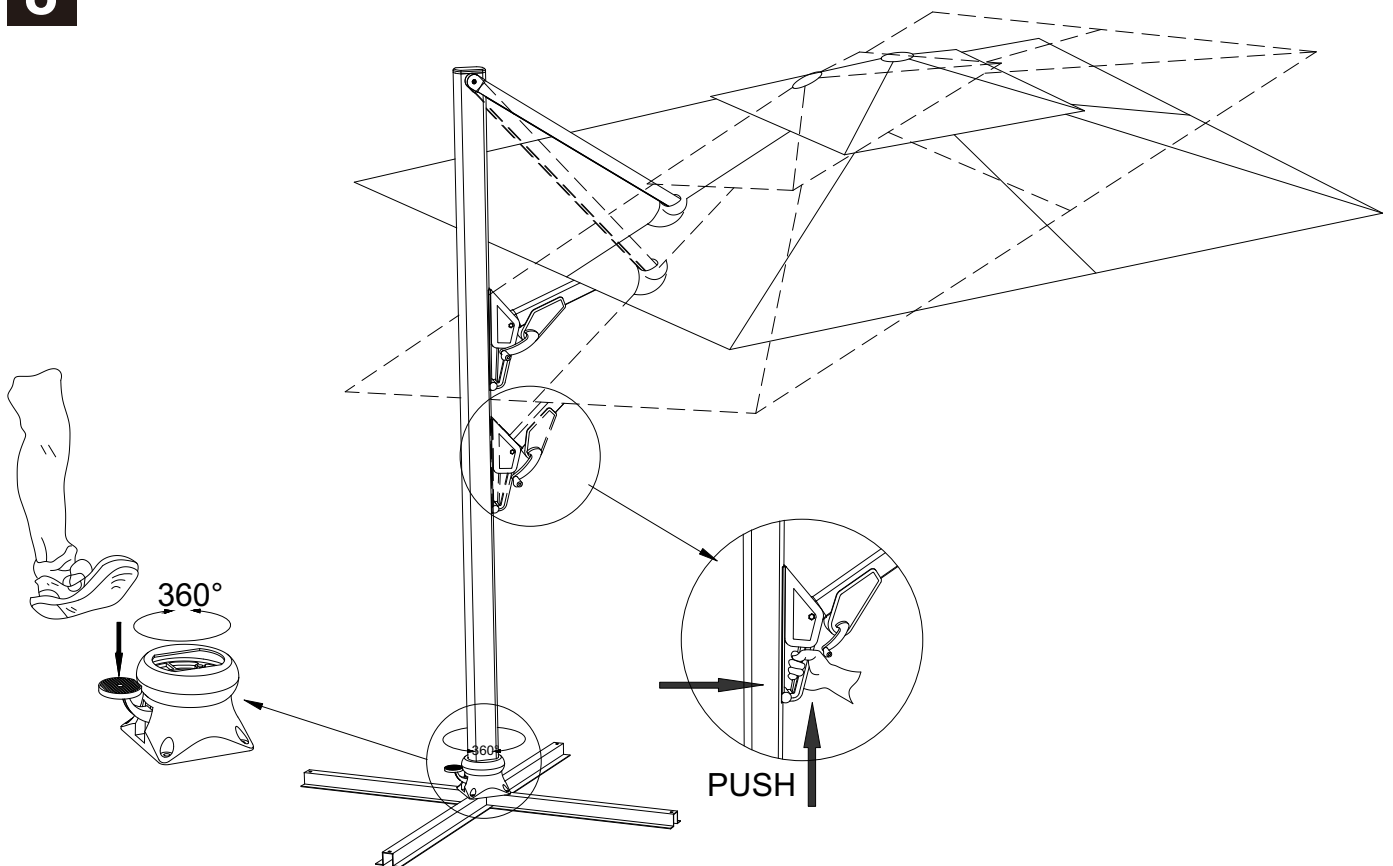
NOTE: Please fully tighten all bolts at this time.

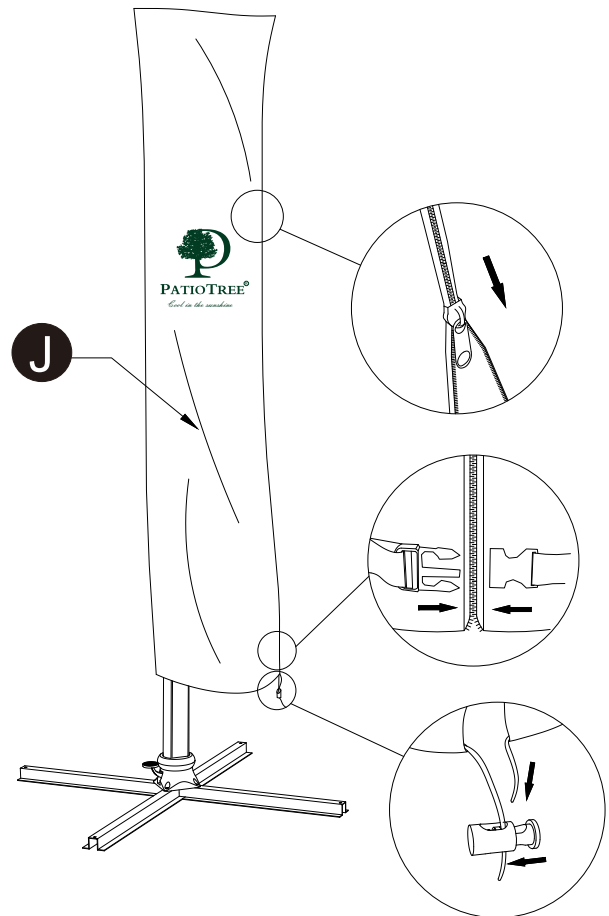
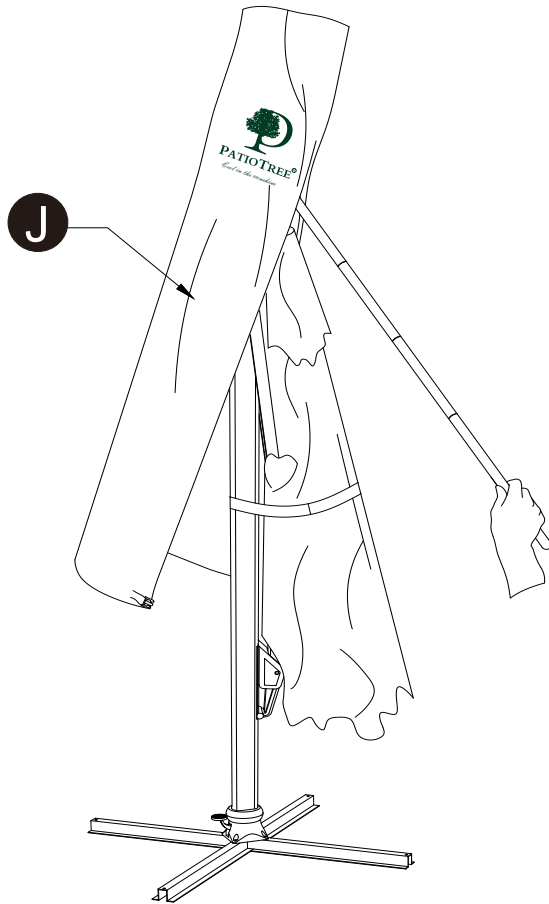
PARTS

7



8





- *Place the protection cover (part J) over the closed umbrella.
- *The umbrella cover is equipped with an extendable stick that helps you to install the top of the umbrella cover more easily.
- *Once the cover is fully covering the umbrella, you can pull the cord at the bottom of the cover to tighten it. This keeps the cover from blowing away in windy conditions.