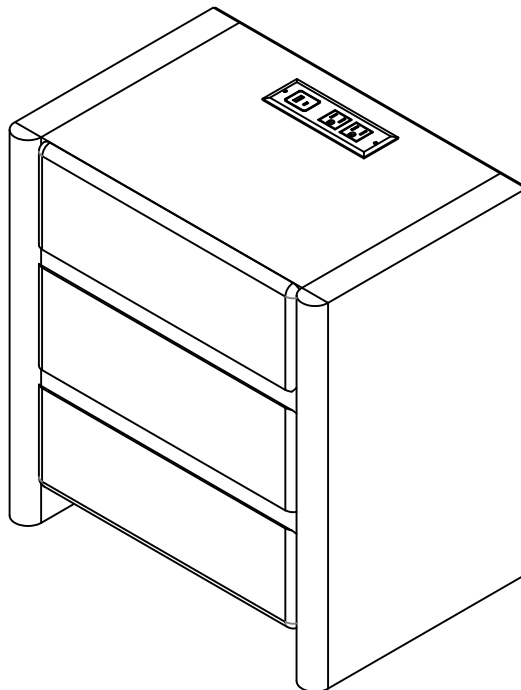


ASSEMBLY INSTRUCTIONS

ITEM:LDYZ3D



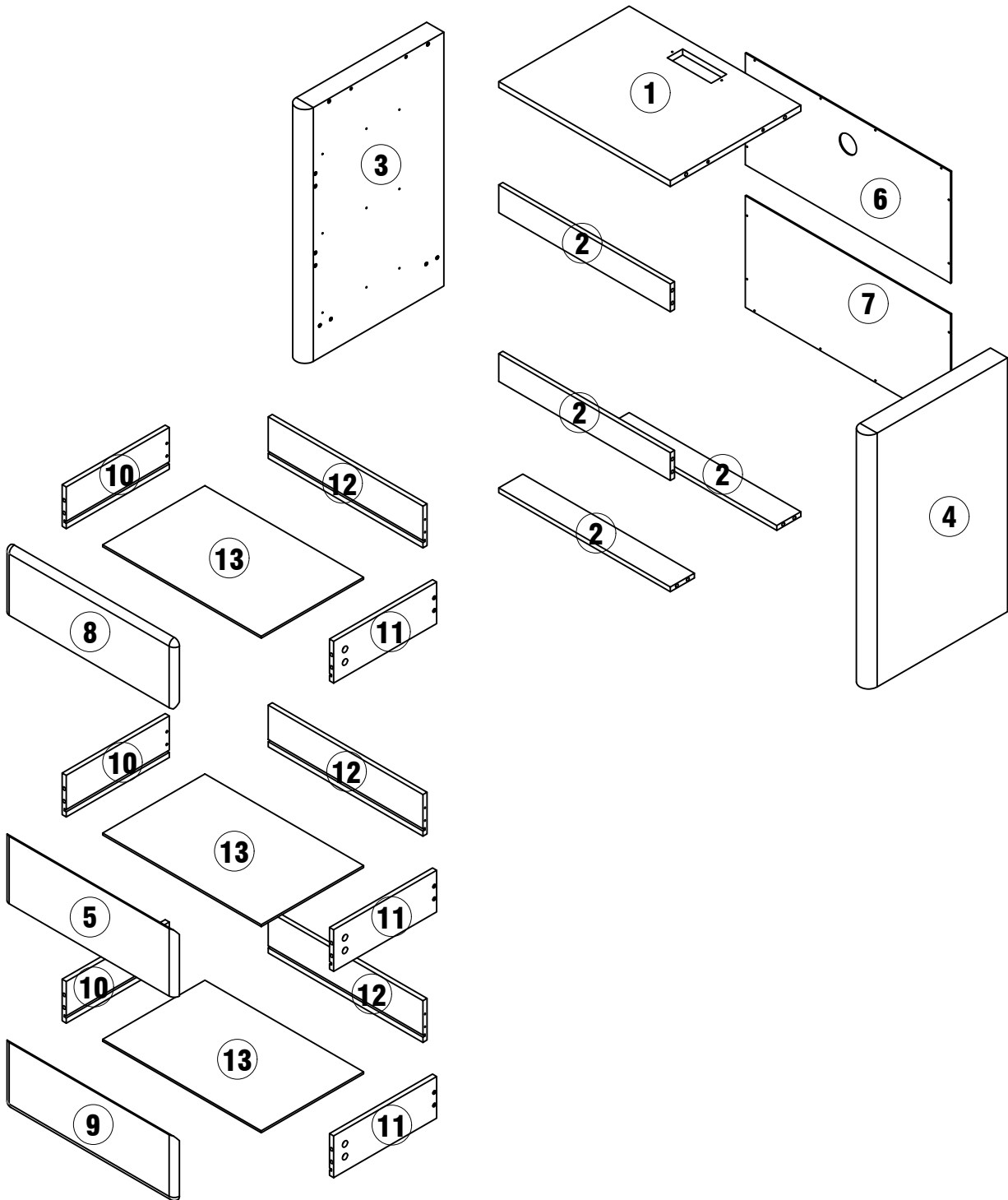
LDYZ3D

Please scan this QR code and contact us if you have any questions! If your products has damages, missing parts, problems with installation and use, or you are not 100% satisfied with our products, please scan the QR code and contact us!

Email:vimity-service@outlook.com

SUPPORT: + 18882062161

PACKAGE INCLUDE




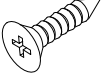
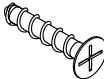



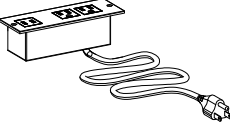
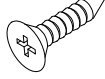
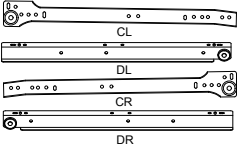
SUPPORT: + 18882062161

PACKAGE INCLUDE

CODE	DESCRIPTION	QTY
1	Top Panel	1
2	Wood Strip	4
3	Left Side Panel	1
4	Right Side Panel	1
5	Middle Drawer Top Panel	1
6	Upper Back Panel	1
7	Lower Back Panel	1
8	Upper Drawer Top Panel	1
9	Lower Drawer Top Panel	1
10	Drawer Left Side Panel	3
11	Drawer Right Side Panel	3
12	Drawer Back Panel	3
13	Drawer Bottom Panel	3

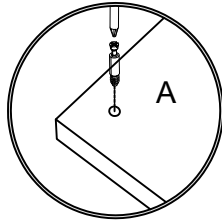
SUPPORT: + 18882062161

PACKAGE CONTENT

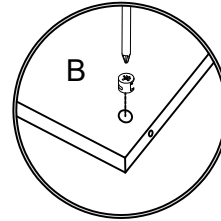
<p>Ø6X30MM</p>  <p>A 4X+1</p>	<p>Ø3X11MM</p>  <p>B 36X+1</p>	<p>Ø4X35MM</p>  <p>C 12X</p>	<p>Ø15X10MM</p>  <p>D 32X+1</p>
<p>Ø3.5X12MM</p>  <p>F 16X+1</p>	<p>G 32X+1</p> 	<p>H 1X</p> 	<p>Ø3.5X14MM</p>  <p>J 2X</p>
 <p>K 3X</p>			

SUPPORT: + 18882062161

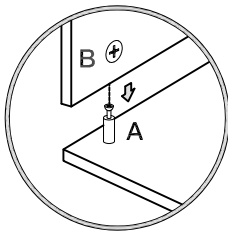
How to use the cam lock system



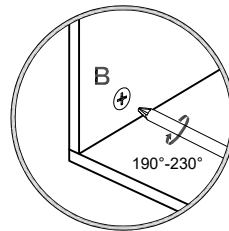
1. Screw cam bolt into panel



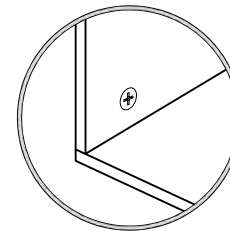
2. Push cam into panel - arrow feature on cam top points to panel edge



3. Align cam bolt(s) with cam(s) and insert all the way into cross-bored hole(s)

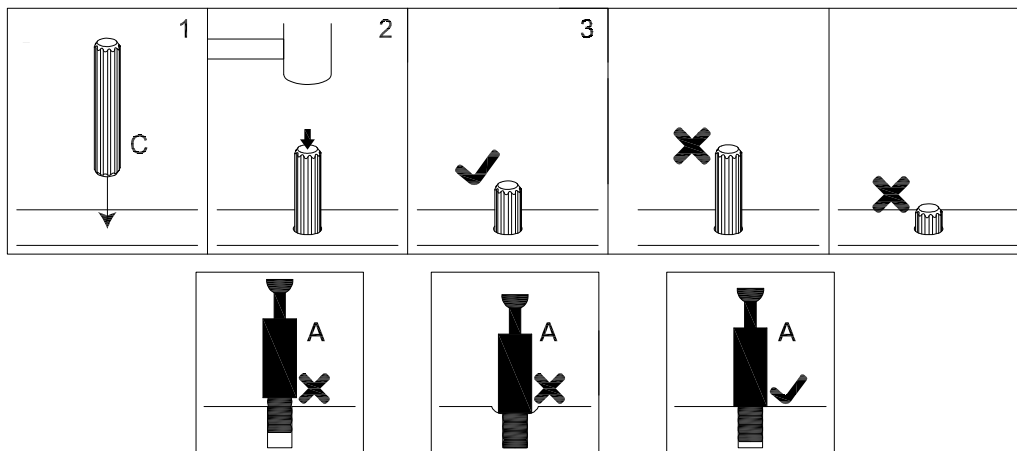


4. Rotate cam(s) clockwise 190°-230° to lock panels together



5. Panels should be tight against each other and connection should be rigid

Insert the wood dowel [C] at least half way by tapping lightly with a rubber mallet, IF NECESSARY.

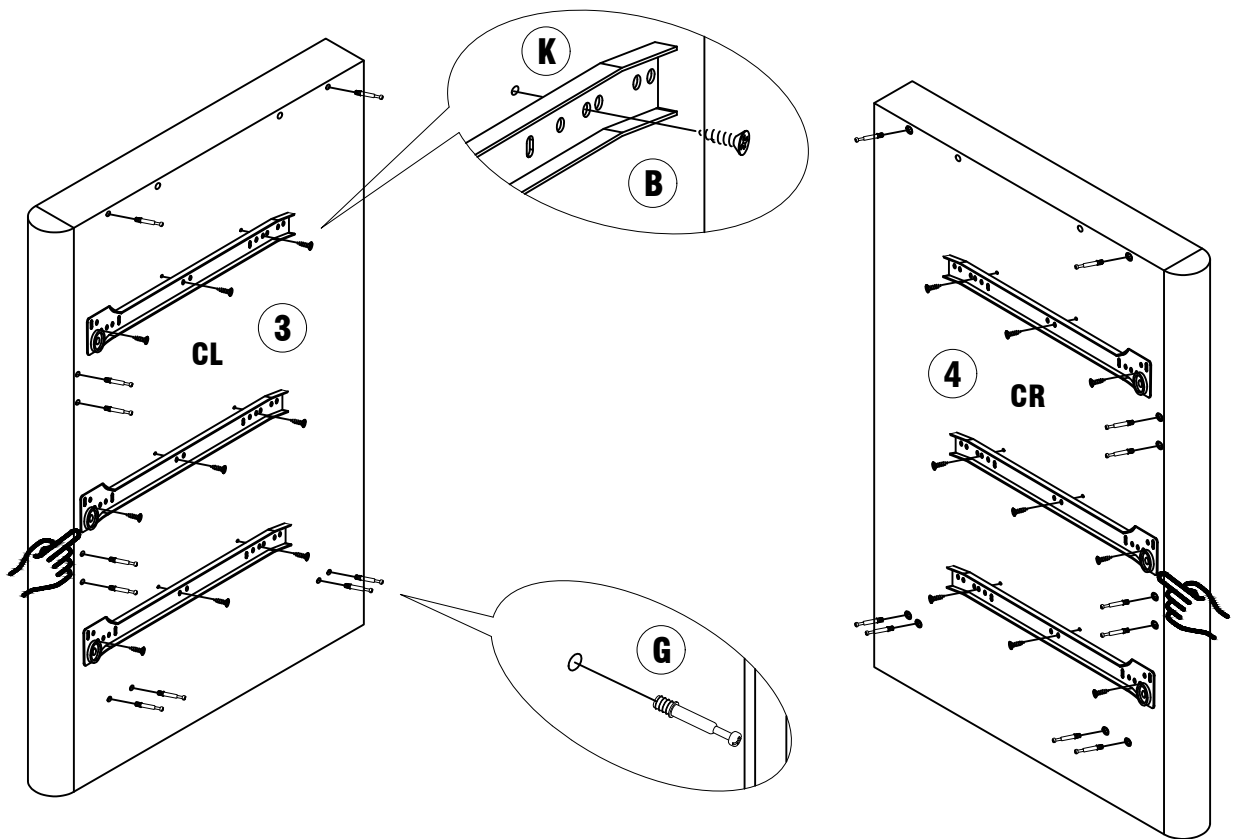
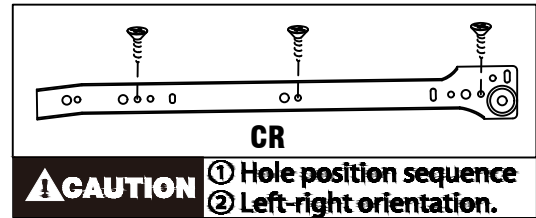
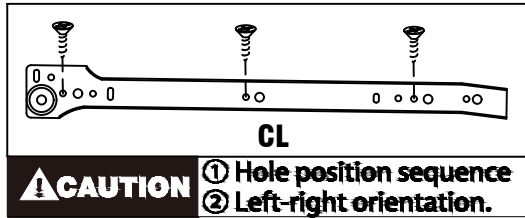
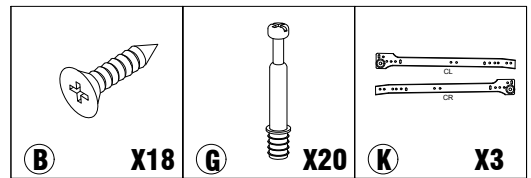


⚠ WARNING

- Unit must be placed on a level surface or leveled with included hardware (when applicable).
- Do not sit or stand on or allow children to climb, sit or stand on the assembled product.
- For safety reasons, it is imperative that this unit be mounted to the wall.
- Do not use without installing the tip restraint.
- Unit can tip over causing severe injury or death.
- Do not exceed the recommended weight limits.
- Evenly distribute the weight on each level and always keep the heavier loads on the bottom.
- Before cutting, drilling or hammering into any wall or floor surface, verify the location of electrical, plumbing and gas lines. Cutting may cause serious injury.

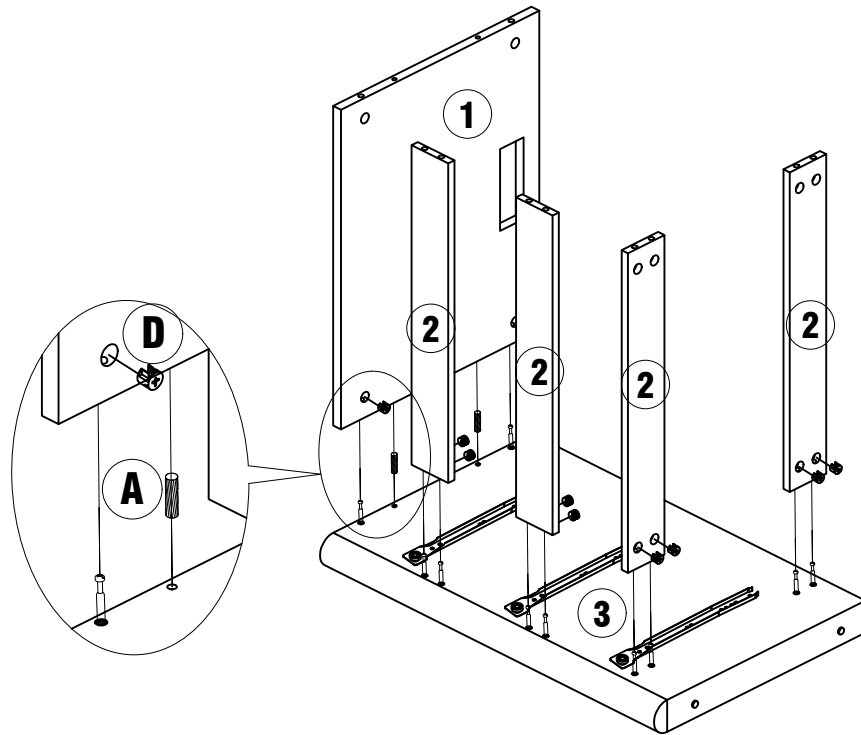
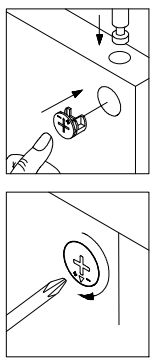
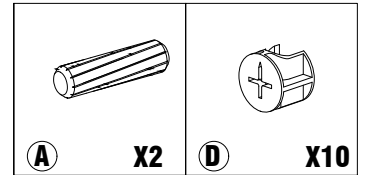
SUPPORT: +18882062161

STEP 1

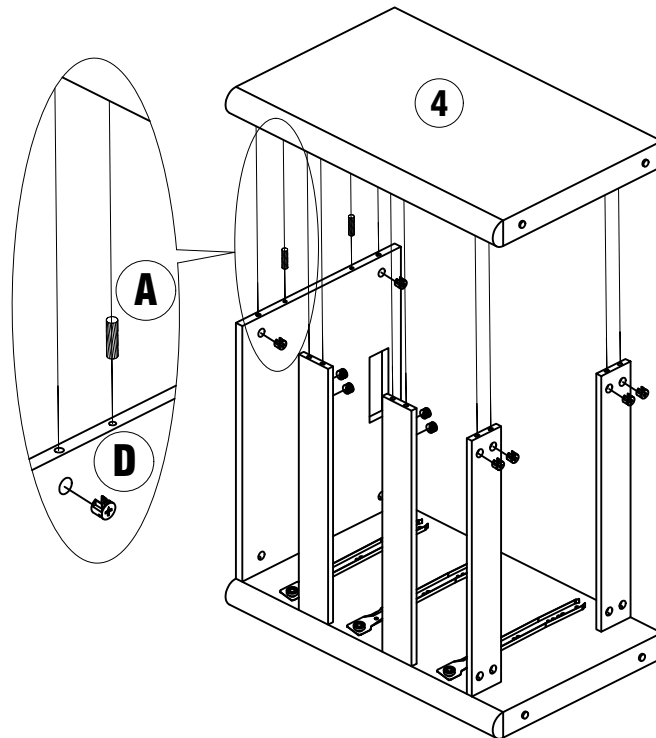
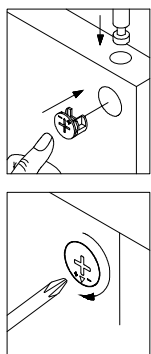
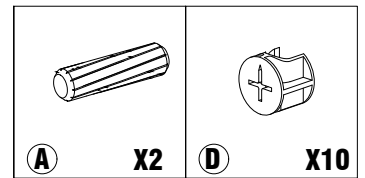


SUPPORT: + 18882062161

STEP 2

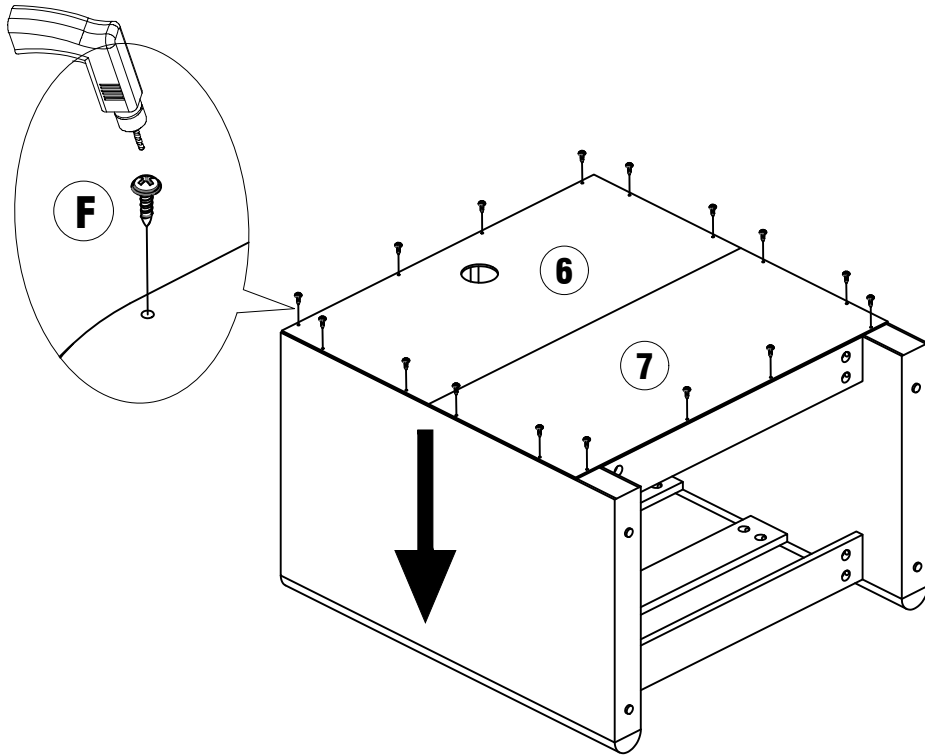
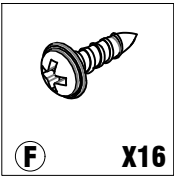


STEP 3

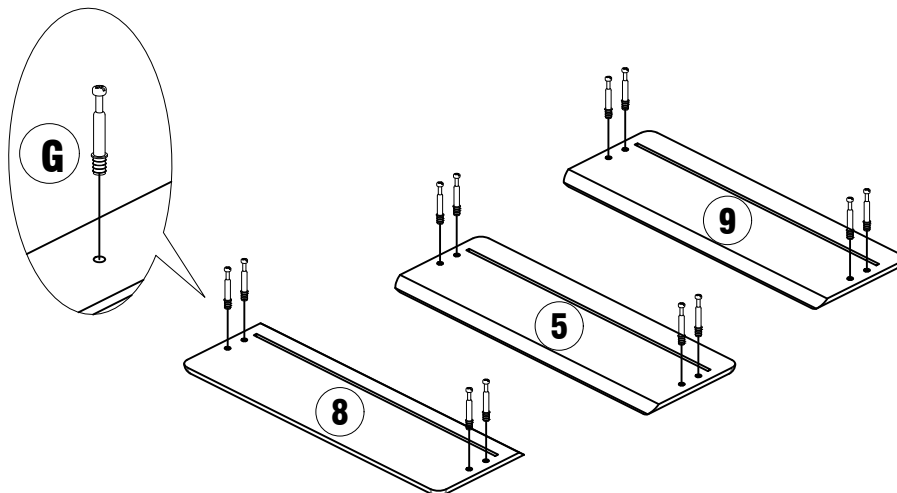
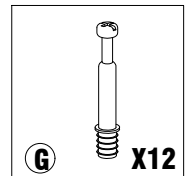


SUPPORT: + 18882062161

STEP 4

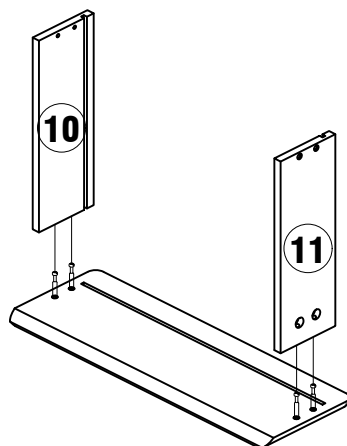


STEP 5



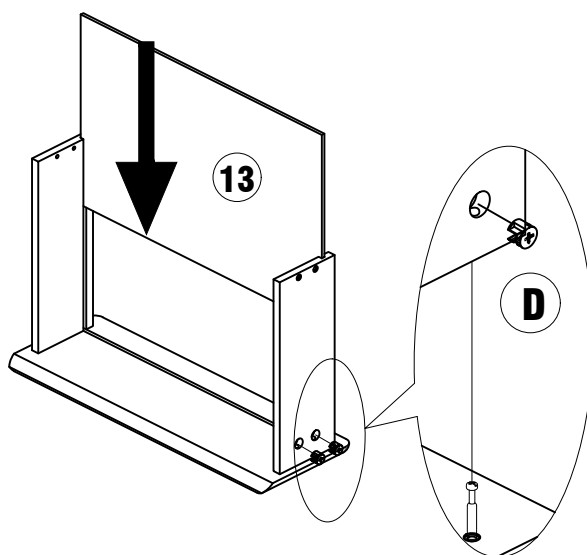
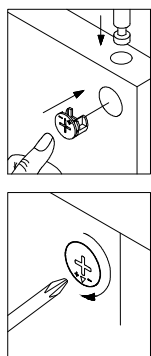
SUPPORT: + 18882062161
-7-

STEP 6



X3

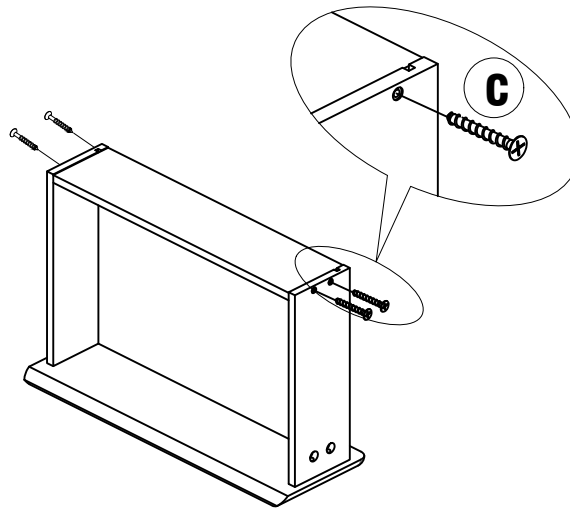
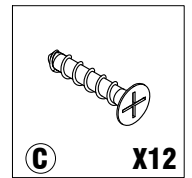
STEP 7



X3

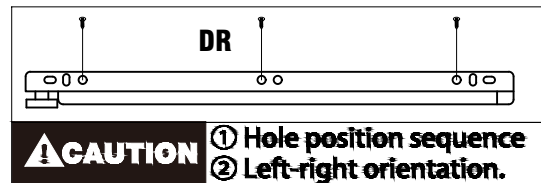
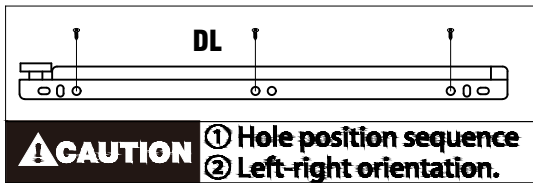
SUPPORT: + 18882062161

STEP 8

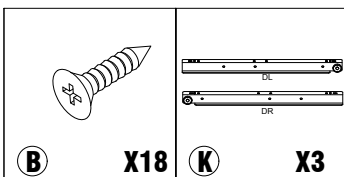
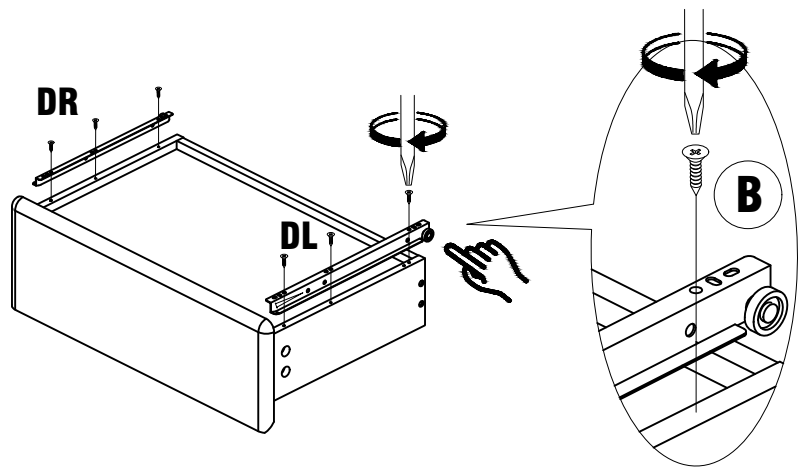


X3

STEP 9

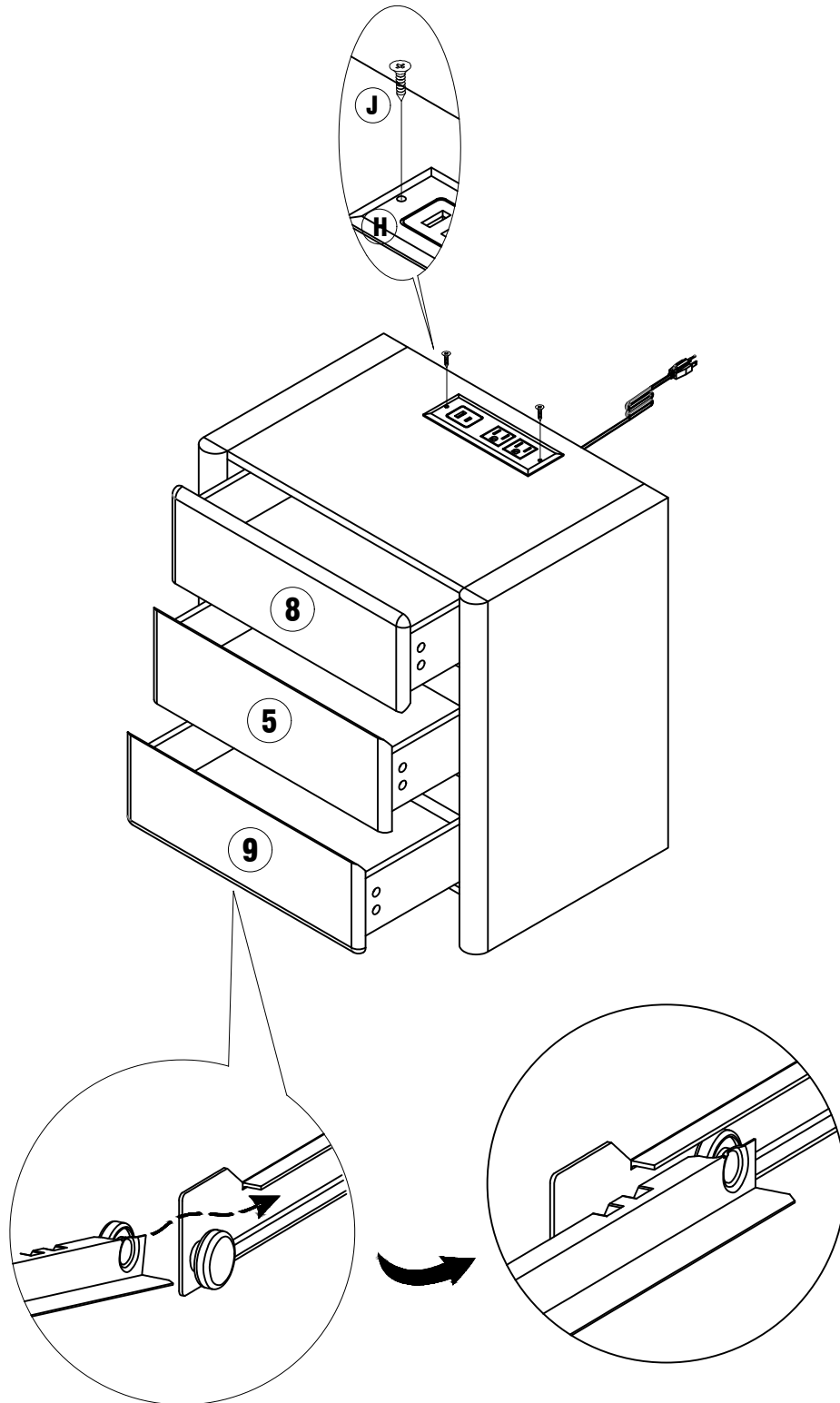
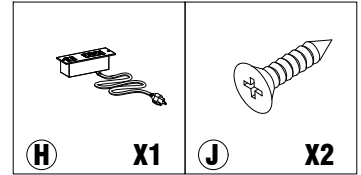


X3



SUPPORT: + 18882062161

STEP 10



SUPPORT: + 18882062161
-10-