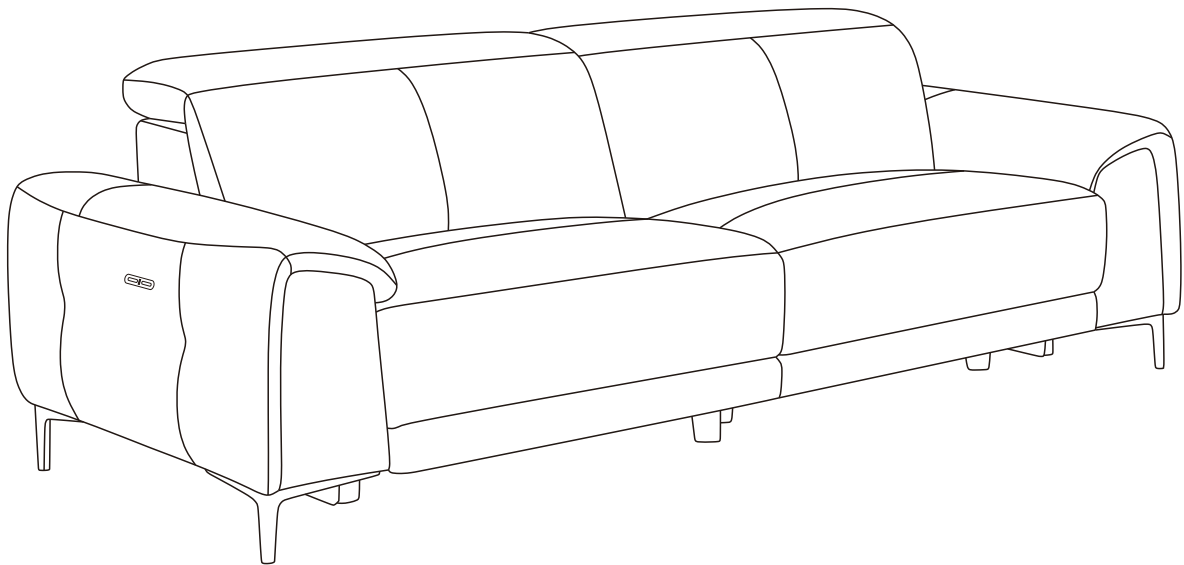
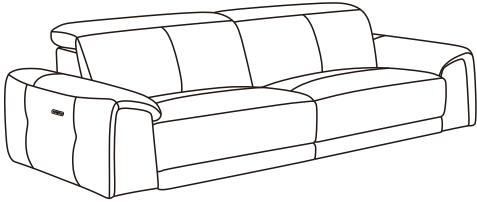


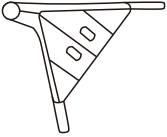
Power Armless Chair Owen Collection **Assembly Manual**

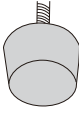



CAUTION THIS ASSEMBLY MANUAL CONTAINS IMPORTANT SAFETY INFORMATION.
PLEASE READ AND KEEP FOR FUTURE REFERENCE.


Parts


A	 Sofa	
B	C	D
E	F	G


Part B:  Metal legs (X4)

Part C:  Round plastic leg (X5)

Part D:  Square plastic leg (X1)

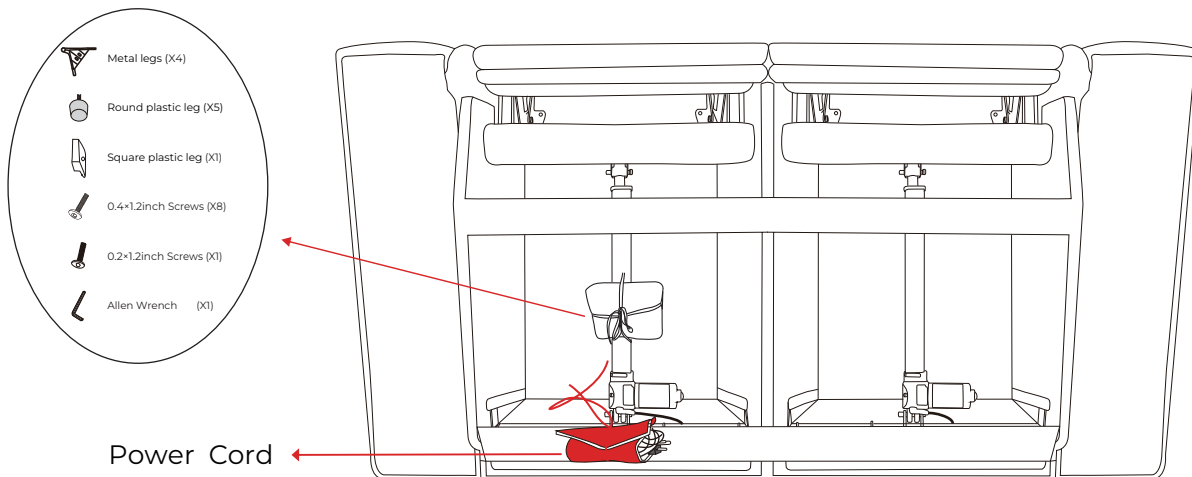
Part E:  0.4x1.2inch
Screws (X8)

Part F:  0.2x1.2inch
Screws (X1)

Part G:  Allen wrench (X1)

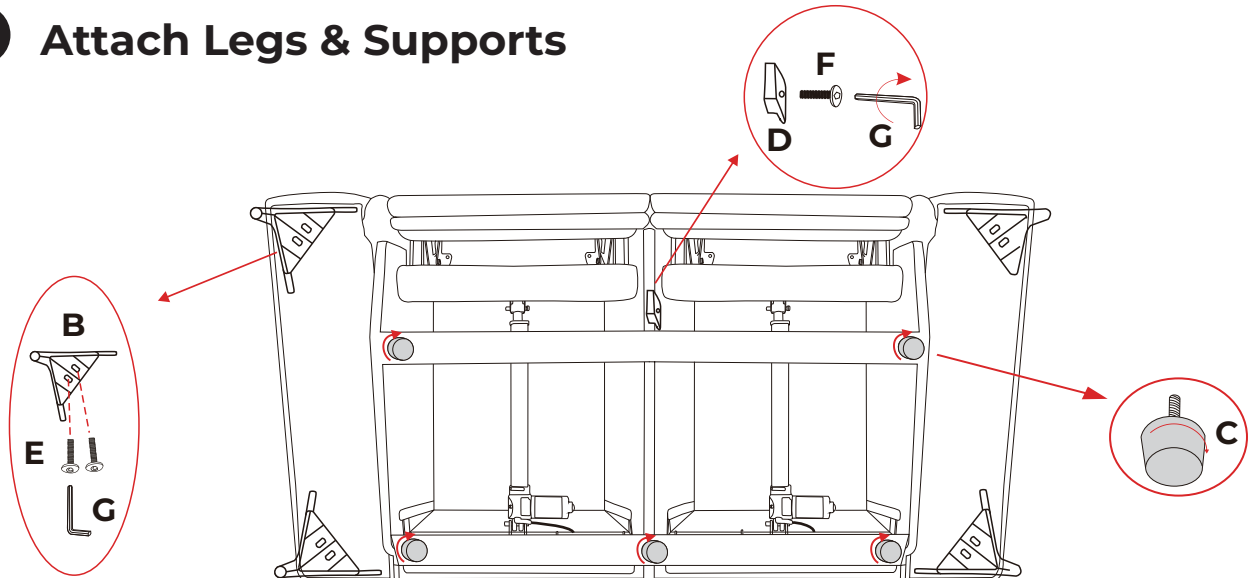
Before you begin:

Locate the power cord and hardware at the bottom of motion sofa.



ASSEMBLY INSTRUCTIONS

1 Attach Legs & Supports

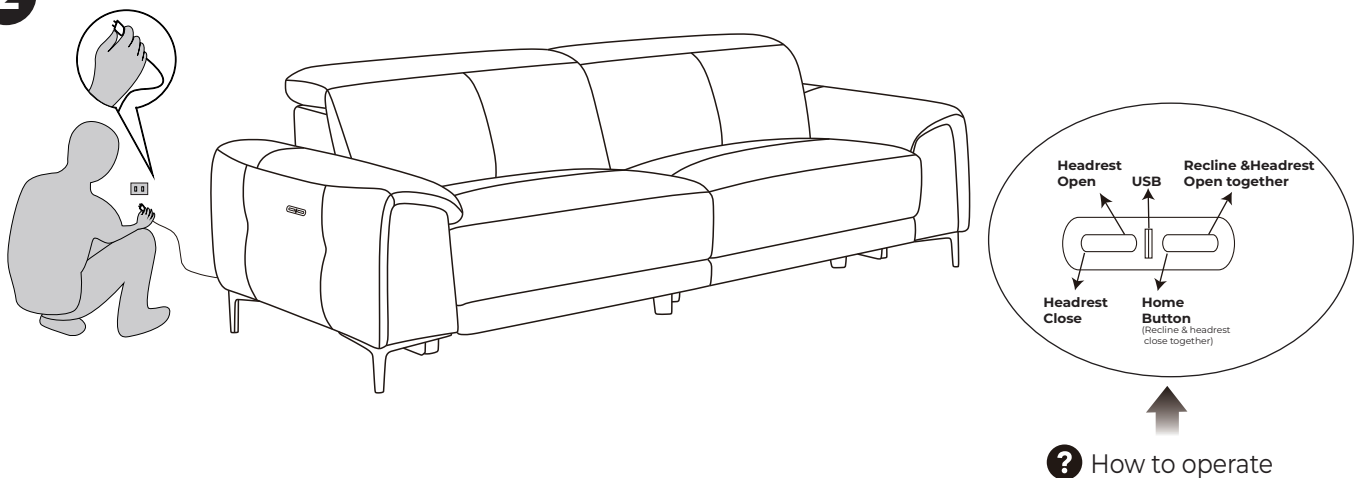


Metal Legs: Secure four metal legs (B) to each corner using the provided 0.4" x 1.2" screws (E). Tighten firmly.

Round plastic legs : Twist five round plastic legs (C) clockwise into pre-threaded sockets on the sofa base until snug.

Square plastic leg: Secure the square plastic legs (D) using 0.2" x 1.2" screws (F). Tighten firmly.

2



Position the sofa upright on a level surface. Plug the power cord into the power outlet.

HOW TO CLEAN

- Test for colorfastness and/or finish stability in an inconspicuous area.
- Vacuum with a soft brush attachment to remove loose soils.
- Used distilled water or a water-based leather cleaning product with a lightly dampened, soft white cotton cloth. Gently wipe the area seam to seam in a circular motion to remove soils.

CARE & MAINTENANCE

Allow at least two feet of space between your furniture and a radiator or a similar heat source to prevent excessive drying. Protect your leather furniture from all forms of sunlight to prevent fading.

NOTE

Leather is a natural product. Both texture and color will vary slightly from hide to hide. Stretch marks, scars and insect bites will be visible and prove the high quality and naturalism of the leather.