

# MAINTAINANCE AND WARNING

- Keep furniture away from heat sources.
- Do not clean furniture with harsh cleaner or polishes. Do not use detergents, Solvents, abrasives, spray packs or leather cleaner. Use non-color mild soap with warm water to clean spills(Mix 1:10 soap to water)
- Do not place furniture under direct sunlight, material will possibly fade over time.
- Do not use on site dry Cleaning machine.
- Children should not climb or jump on the furniture.
- Do not write on furniture that is not protected by a padded barrier .
- Not for commercial use, only for residential use.

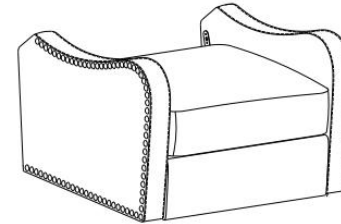


Weight Limitation

**250LBS**

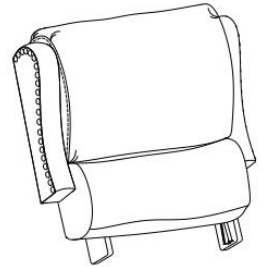
# PARTS LIST

A\*1



Seat Frame

B\*1



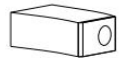
Backrest

C\*2



Front Legs

D\*2








Back Legs

Persons Required For Assembly:





1Personen



# HARDWARE LIST

- ①\*2  
M8\*120mm  
  
Bolt
- ②\*2  
  
Spring washer
- ③\*2  
  
Flat washer
- ④\*2  
  
Floor pad
- ⑤\*1  
M5  
  
Allen Key

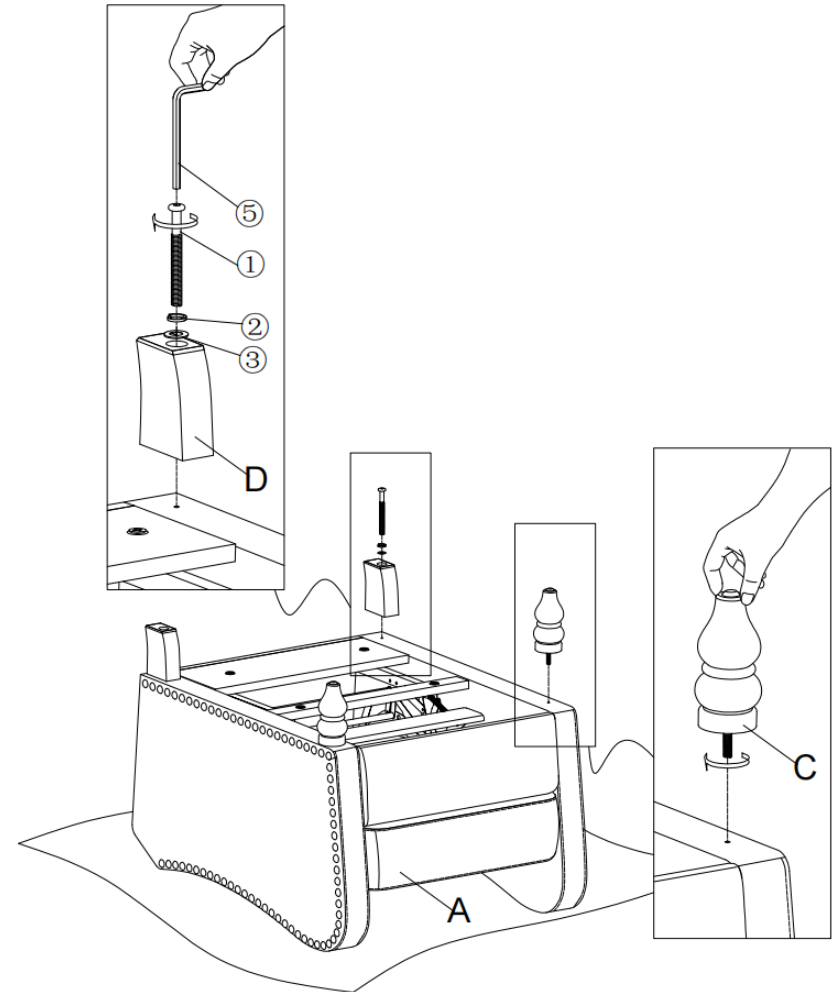
# SPARE

- ①\*1  
M8\*120mm  
  
Bolt
- ②\*1  
  
Spring washer
- ③\*1  
  
Flat washer
- ④\*1  
  
Floor pad

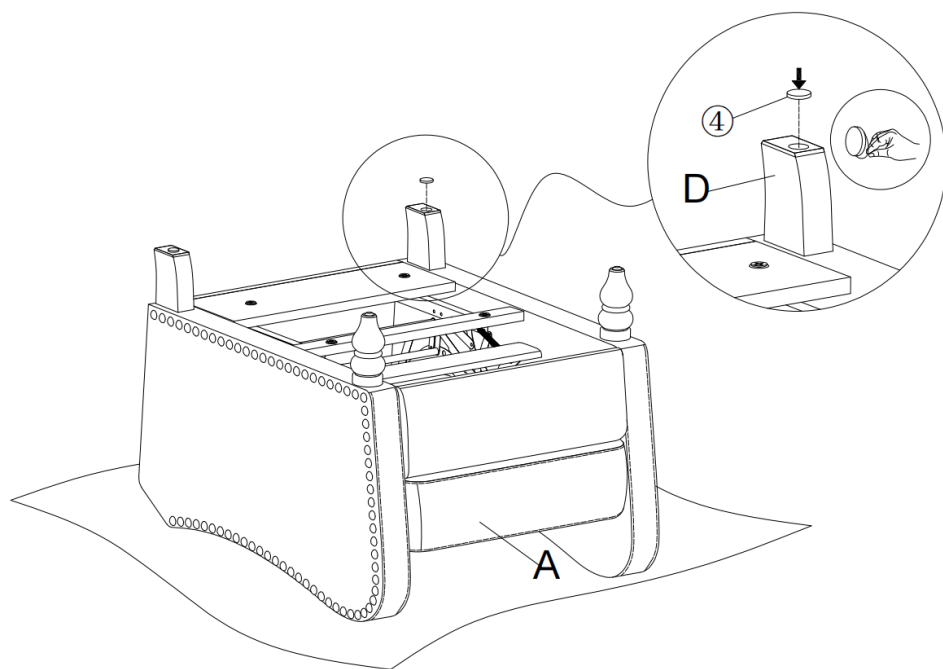
Be sure to inspect all packing material carefully for small parts, that may have come loose inside the carton during shipment.

# ASSEMBLY INSTRUCTIONS

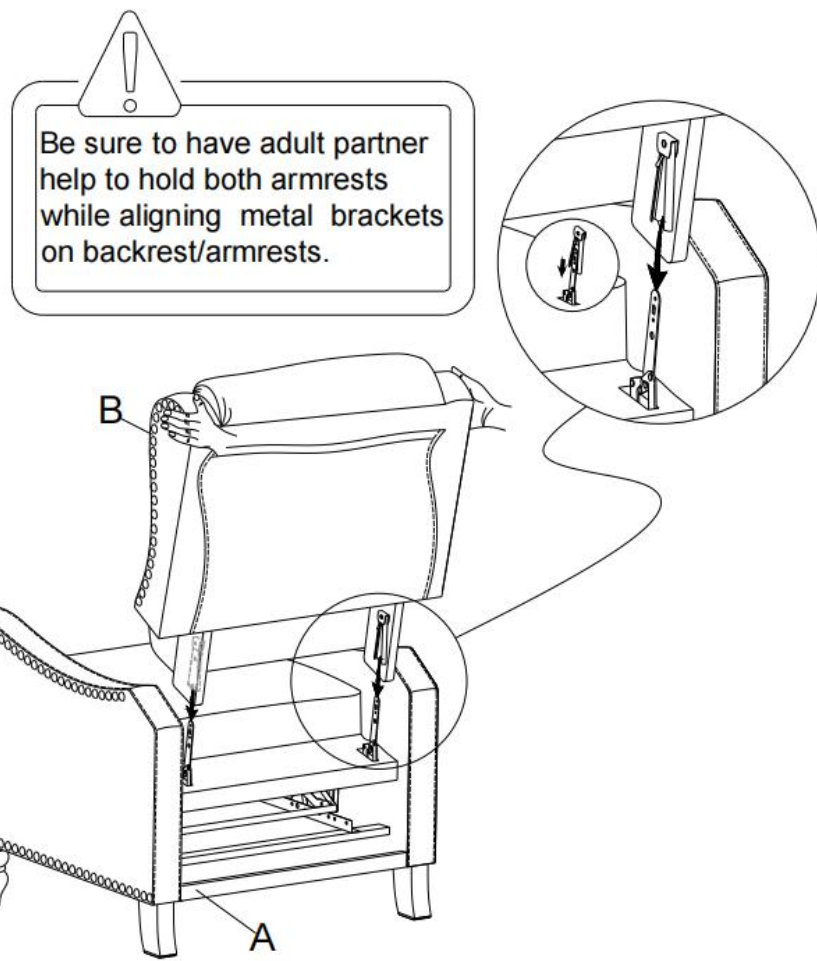
## STEP 1



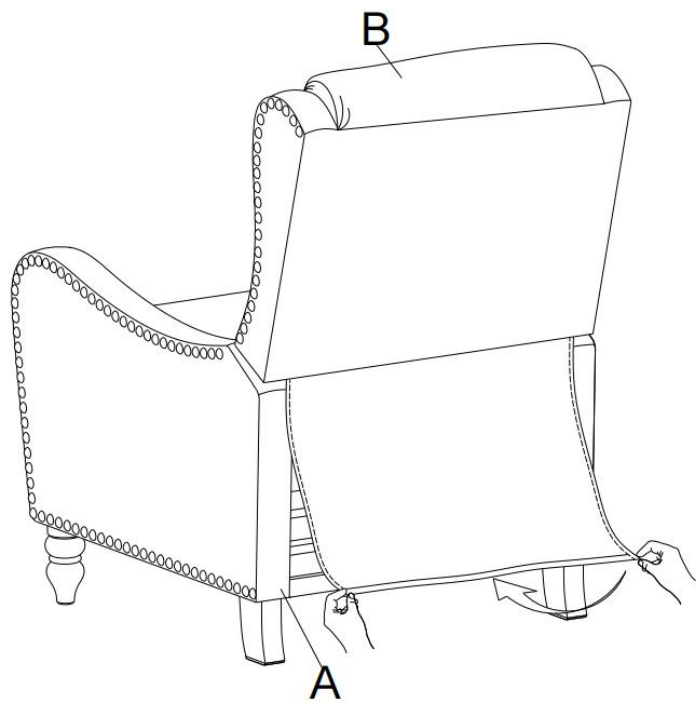
## STEP 2



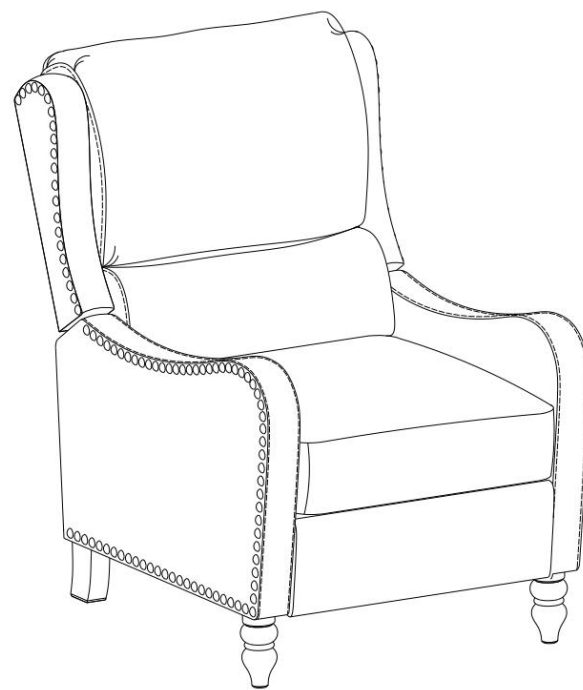
## STEP 3



## STEP 4



## STEP 5



Assembly completed

## STEP 6

