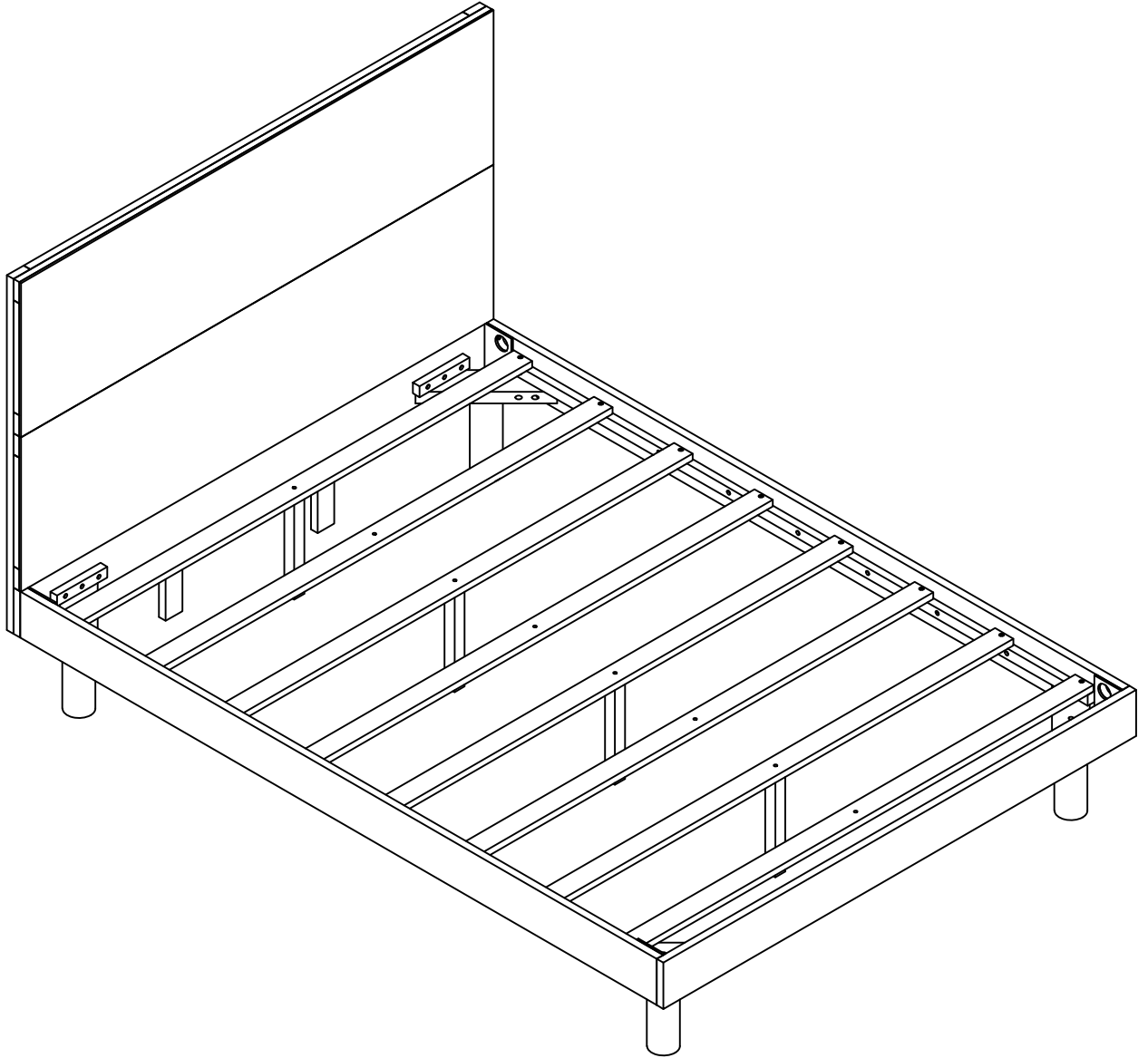


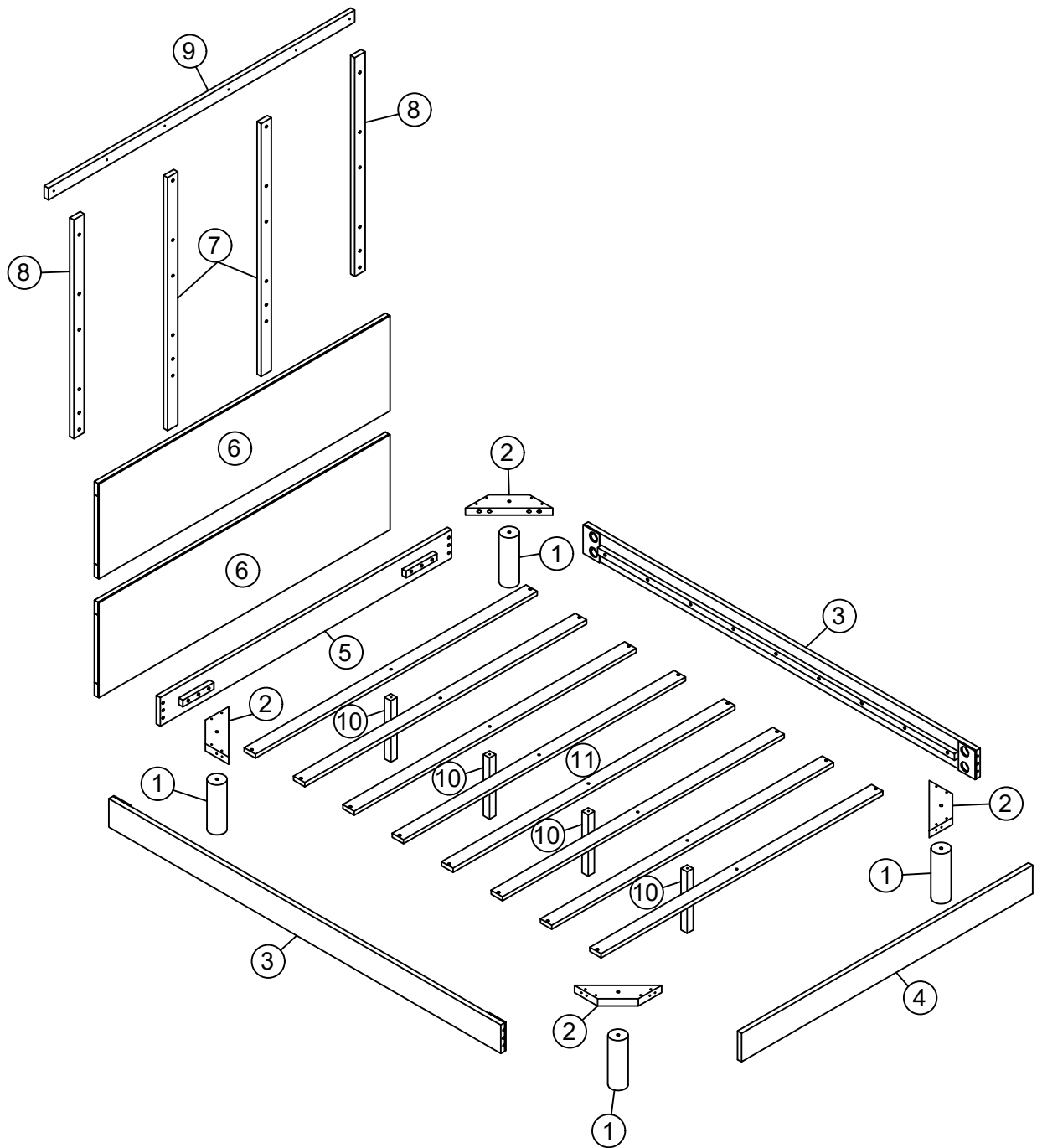
ASSEMBLY INSTRUCTIONS

QUEEN SIZE BED



WF304321/WF304322

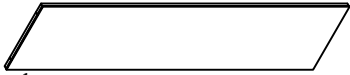
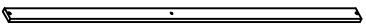
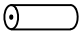
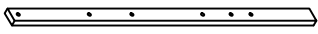

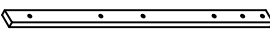


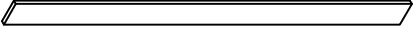

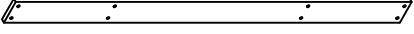
ASSEMBLY INSTRUCTIONS












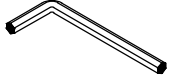



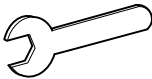
ASSEMBLY INSTRUCTIONS

PARTS LIST

WF304321

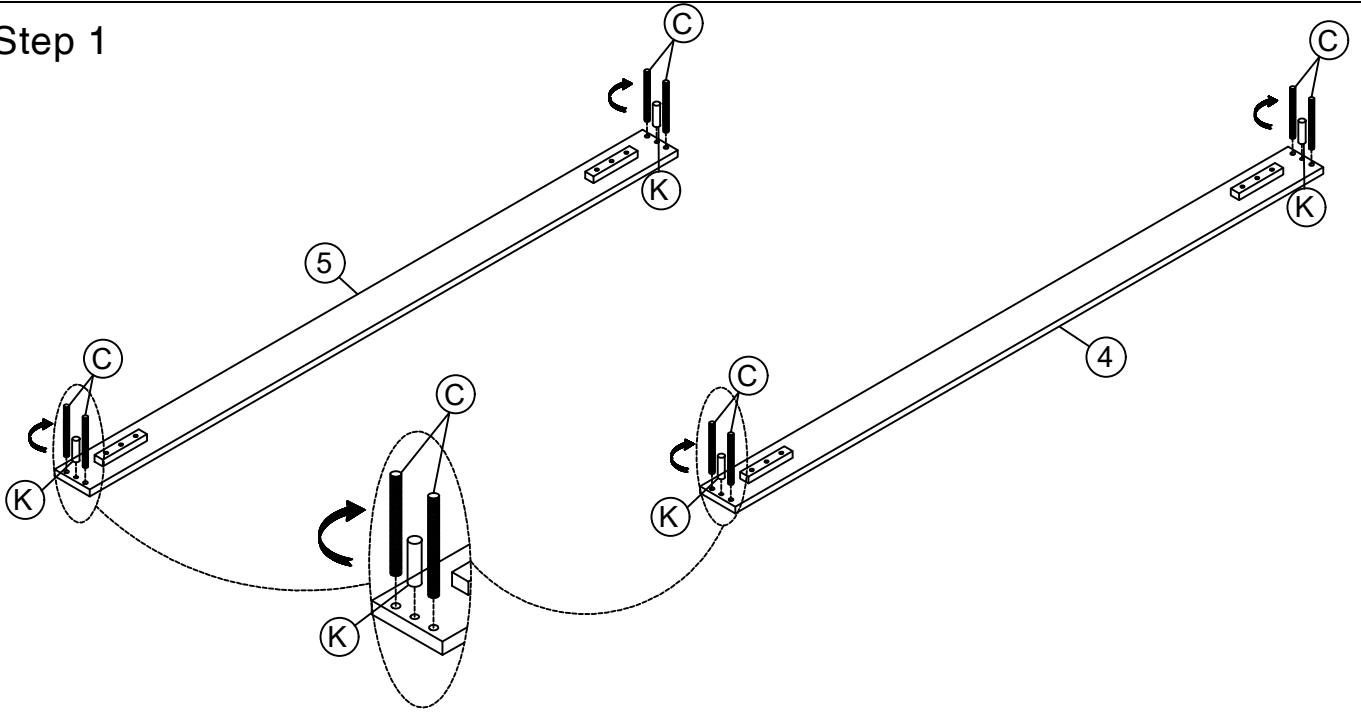
6		2pcs	11		8pcs
WF304322					
1		4pcs	7		2pcs
2		4pcs	8		2pcs
3		2pcs	9		1pc
4		1pc	10		4pcs
5		1pc			



HARDWARE LIST (WF304322)

A	Ø4x38		32PCS	H	5/16x13		28PCS
B	Ø4x30		22PCS	I	5/16x19		28PCS
C	5/16x70		8PCS	J	5/16x6		8PCS
D	5/16x65		4PCS	K	Ø10x30		4PCS
E	5/16x35		24PCS	L	4x58		1PC
F	6.5x50		4PCS	M	1/4x25		4PCS
G			8PCS	N	12x90		1PC

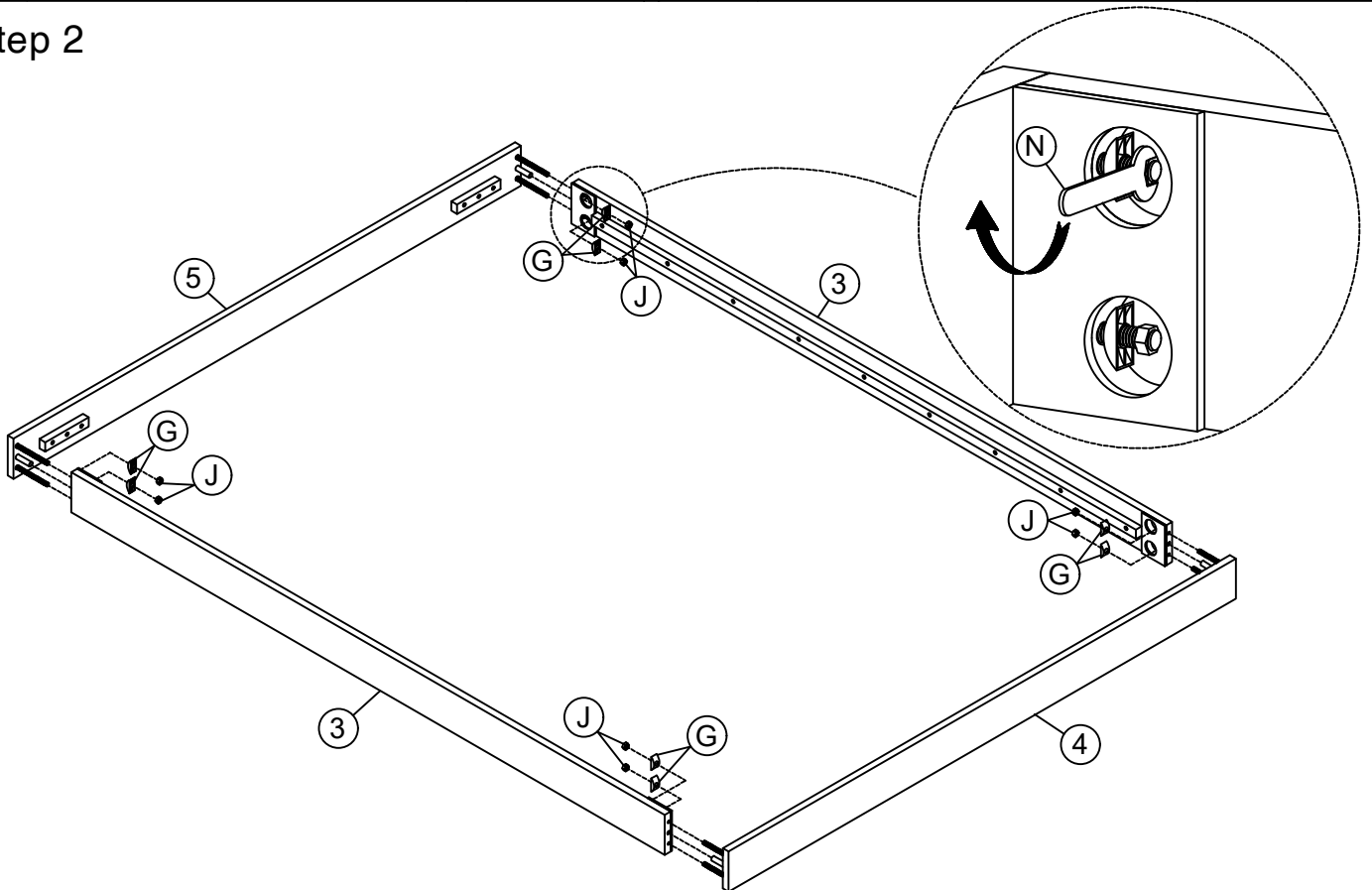
ASSEMBLY INSTRUCTIONS




Step 1



K	Ø10x30		4PCS	C	5/16x70		8PCS
----------	--------	---	------	----------	---------	---	------

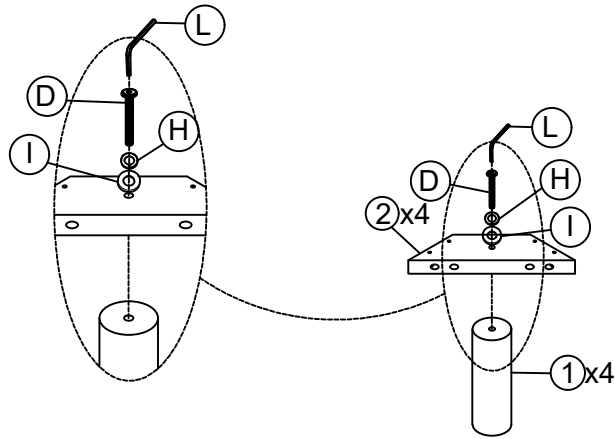
Step 2







G			8PCS				
J	5/16x6		8PCS	N	12x90		1PC

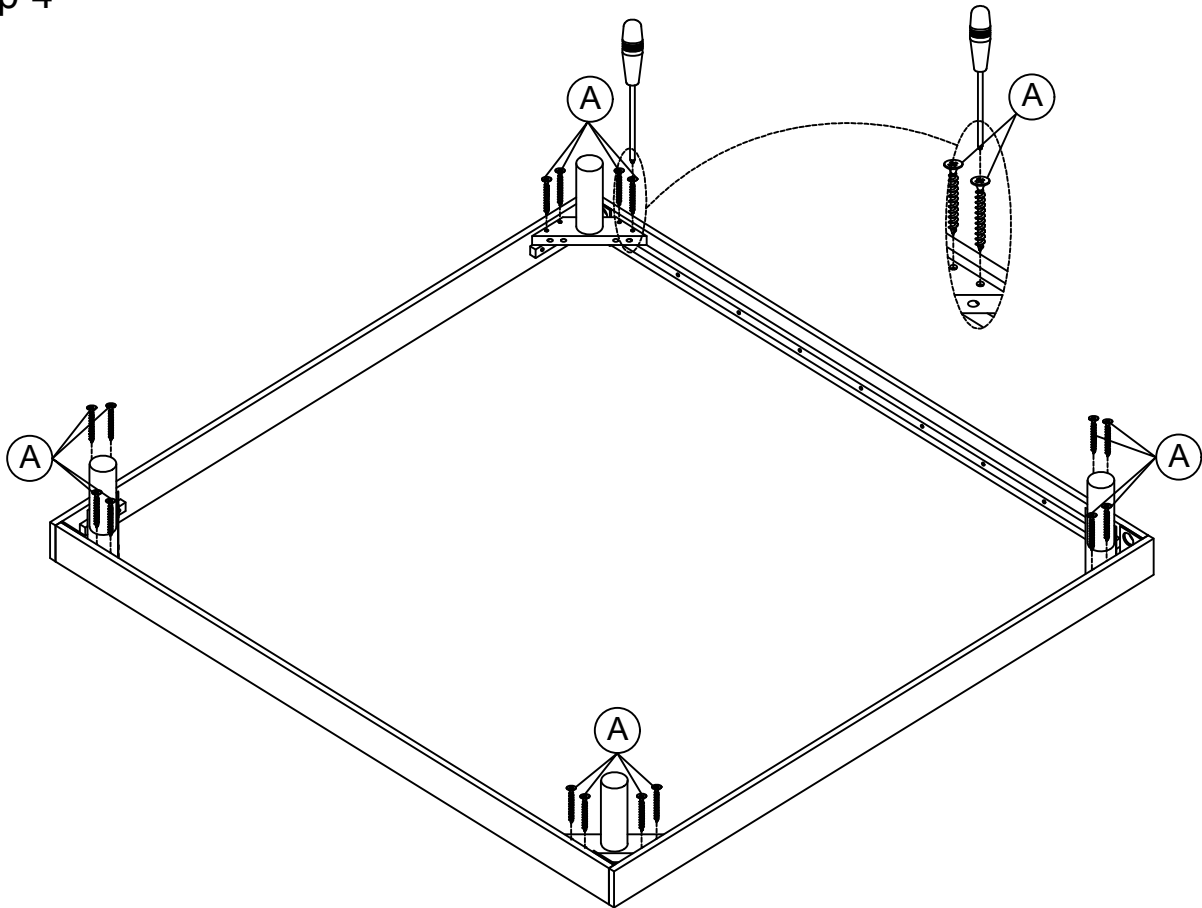
ASSEMBLY INSTRUCTIONS


Step 3



H	5/16x13		4PCS	D	5/16x65 	4PCS
I	5/16x19		4PCS	L	4x58 	1PC

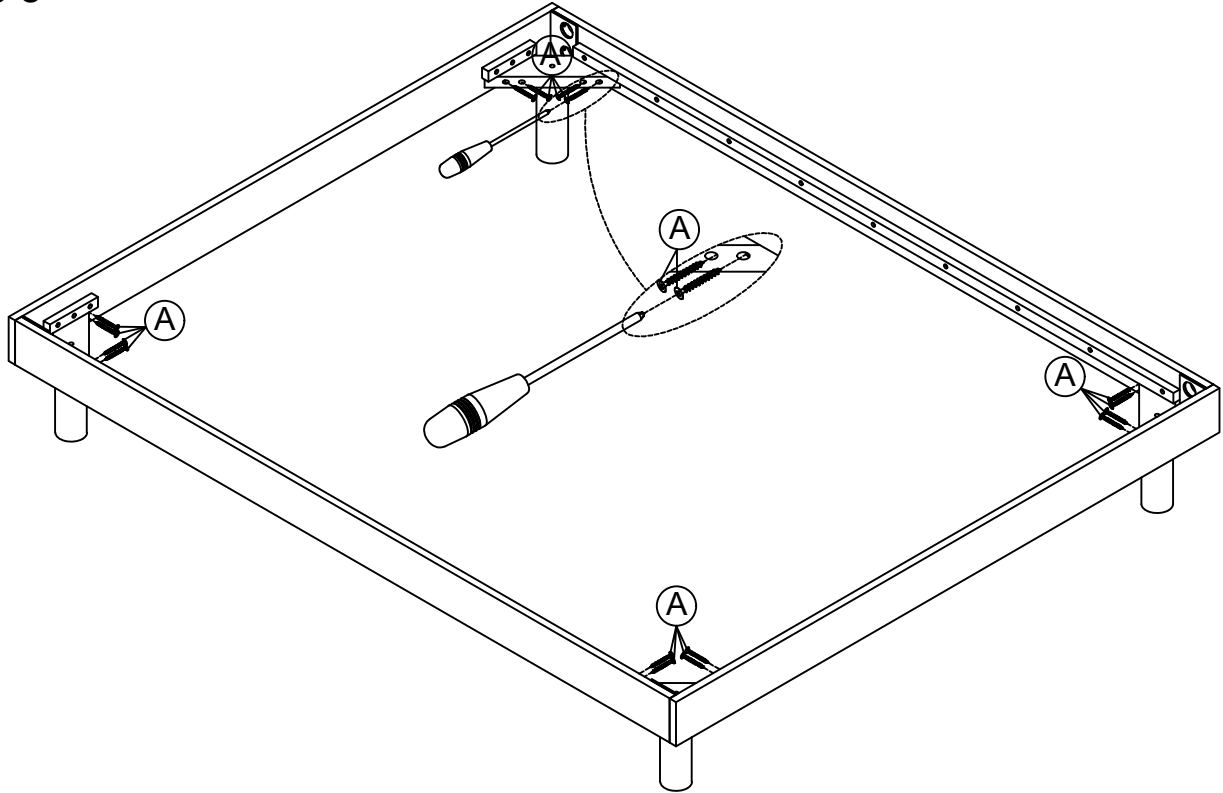
Step 4



A	Ø4x38		16PCS
----------	-------	---	-------

ASSEMBLY INSTRUCTIONS

Step 5



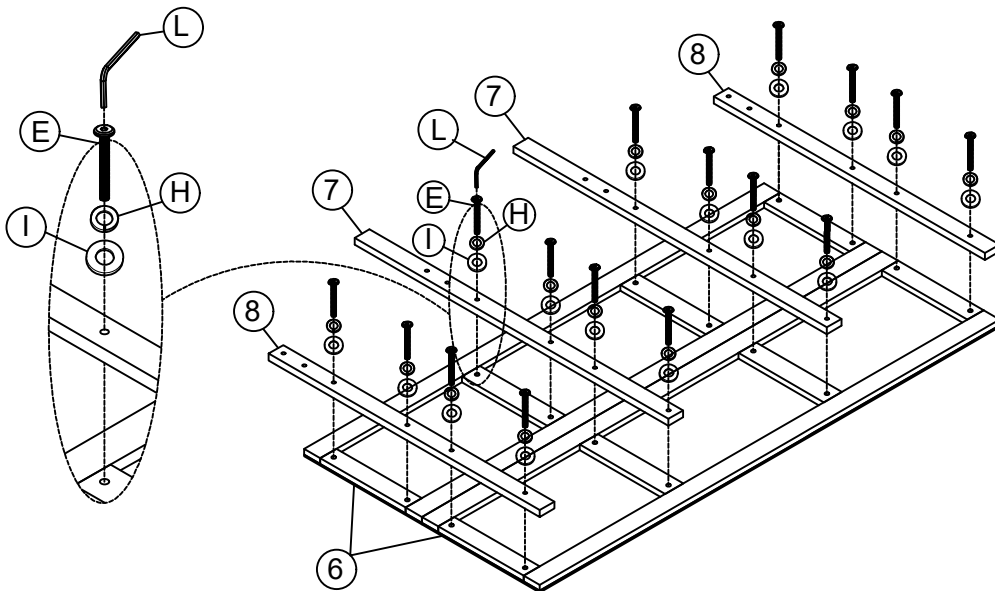
A

Ø4x38



16PCS

Step 6



H

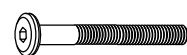
5/16x13



16PCS

E

5/16x35



16PCS

I

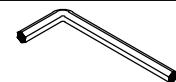
5/16x19



16PCS

L

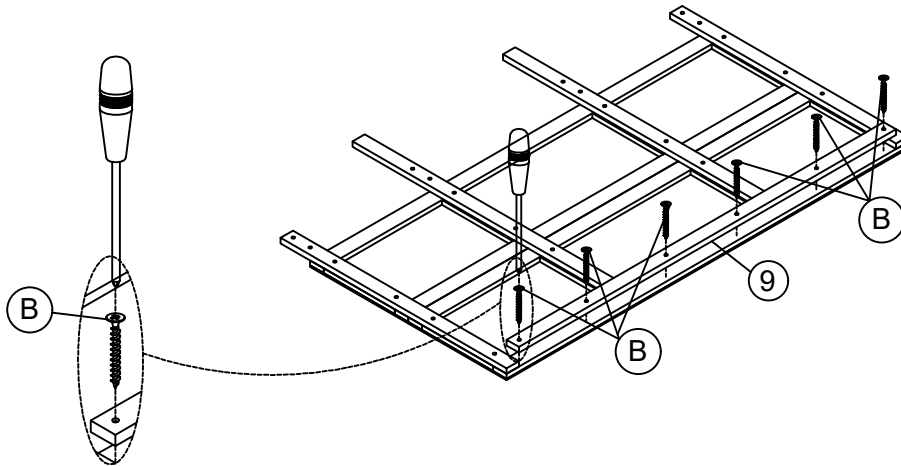
4x58



1PC

ASSEMBLY INSTRUCTIONS

Step 7



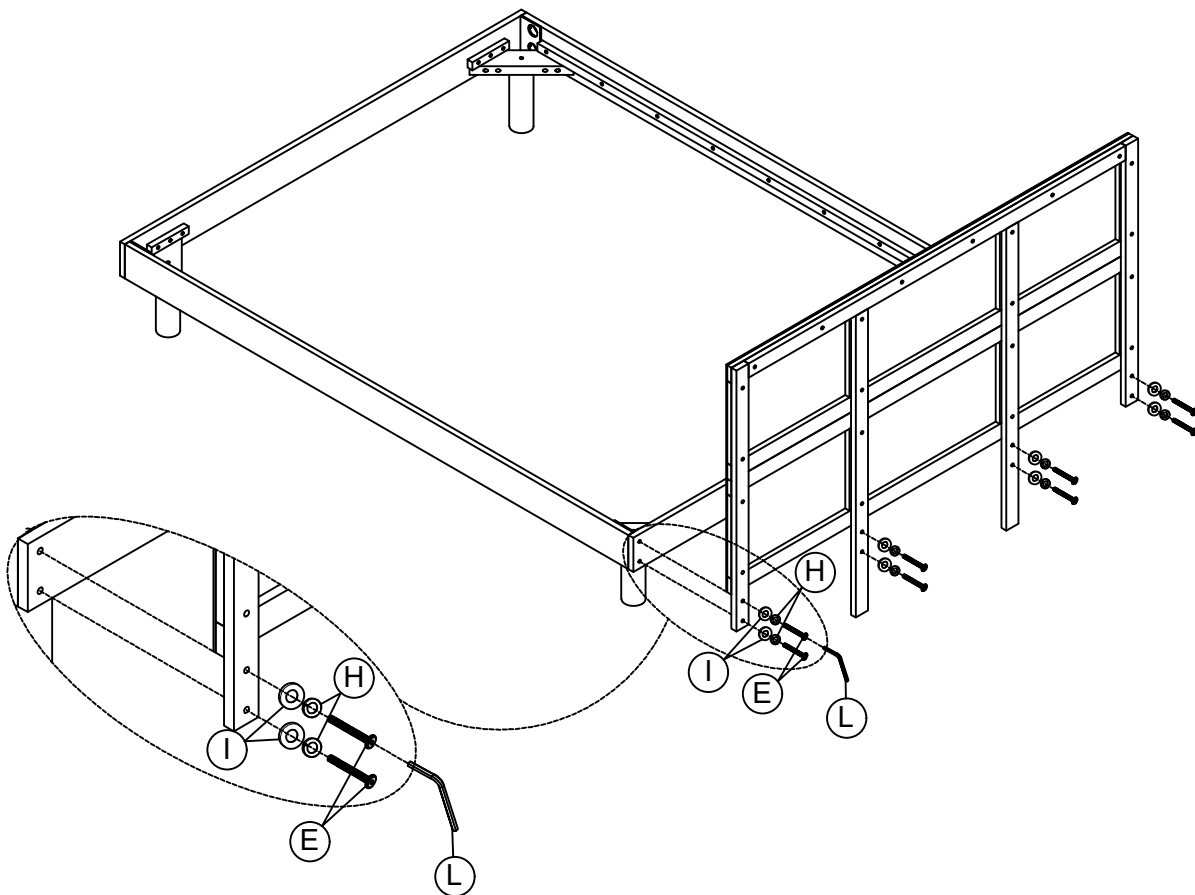
B

Ø4x30



6PCS

Step 8



H

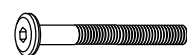
5/16x13



8PCS

E

5/16x35



8PCS

I

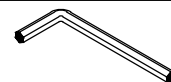
5/16x19



8PCS

L

4x58

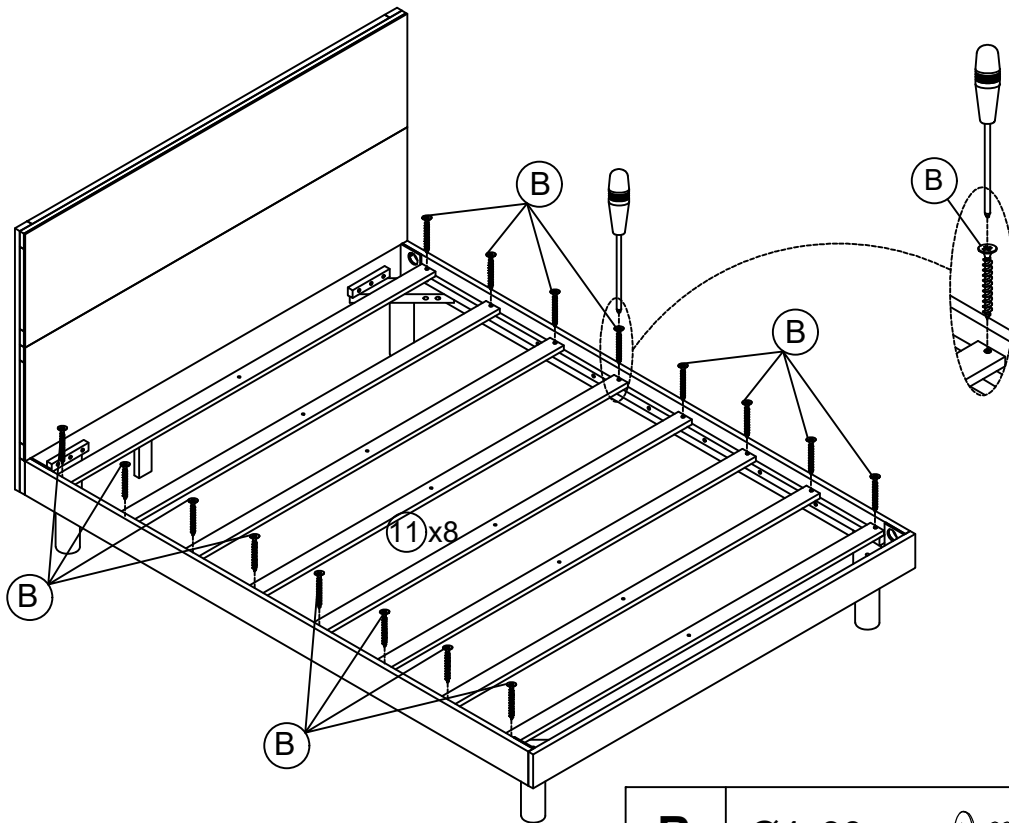


1PC

ASSEMBLY INSTRUCTIONS

Step 9

First attach 2pcs part 11 to the front and end of the frame between headboard. Then attach the remaining part 11 equidistantly between headboard



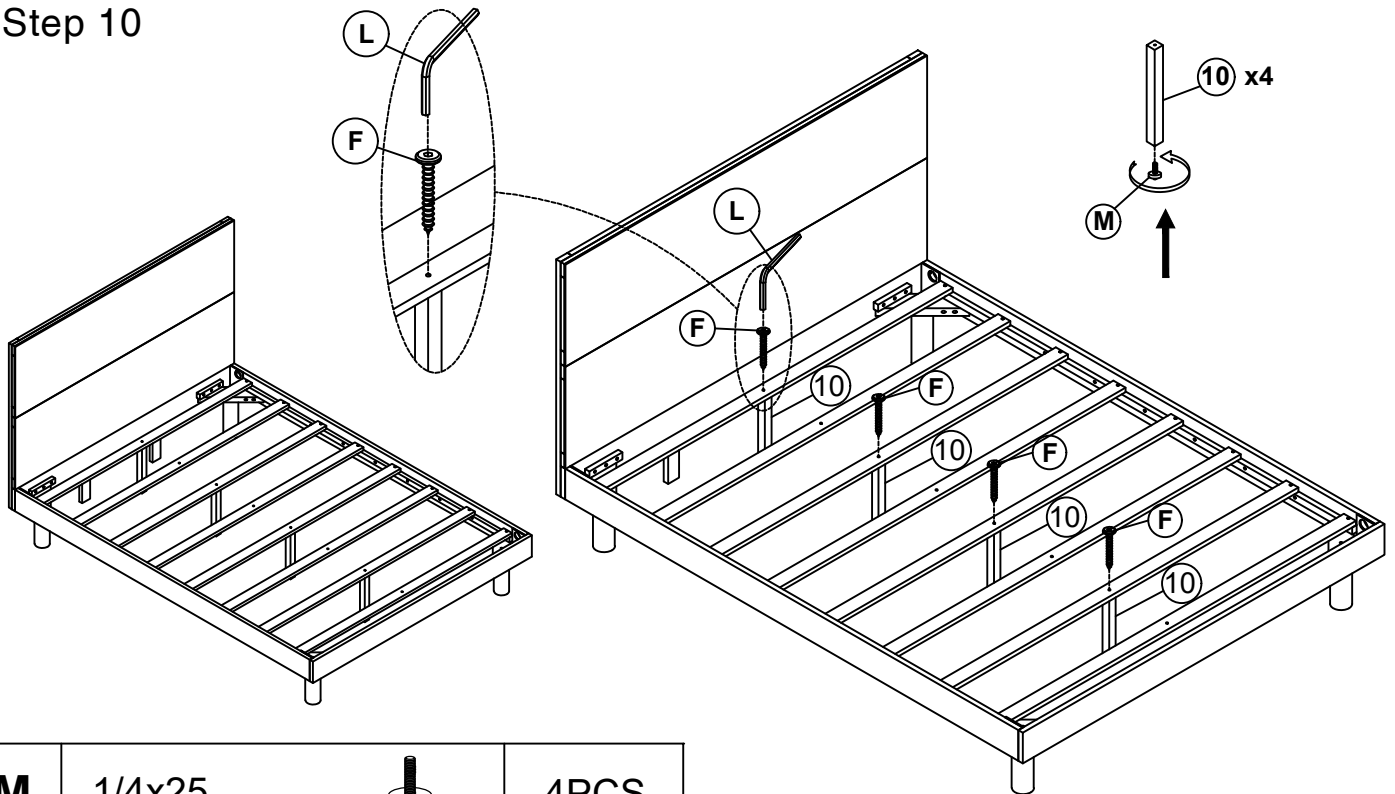
B

Ø4x30



16PCS

Step 10



M

1/4x25



4PCS

F

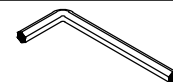
6.5x50



4PCS

L

4x58



1PC