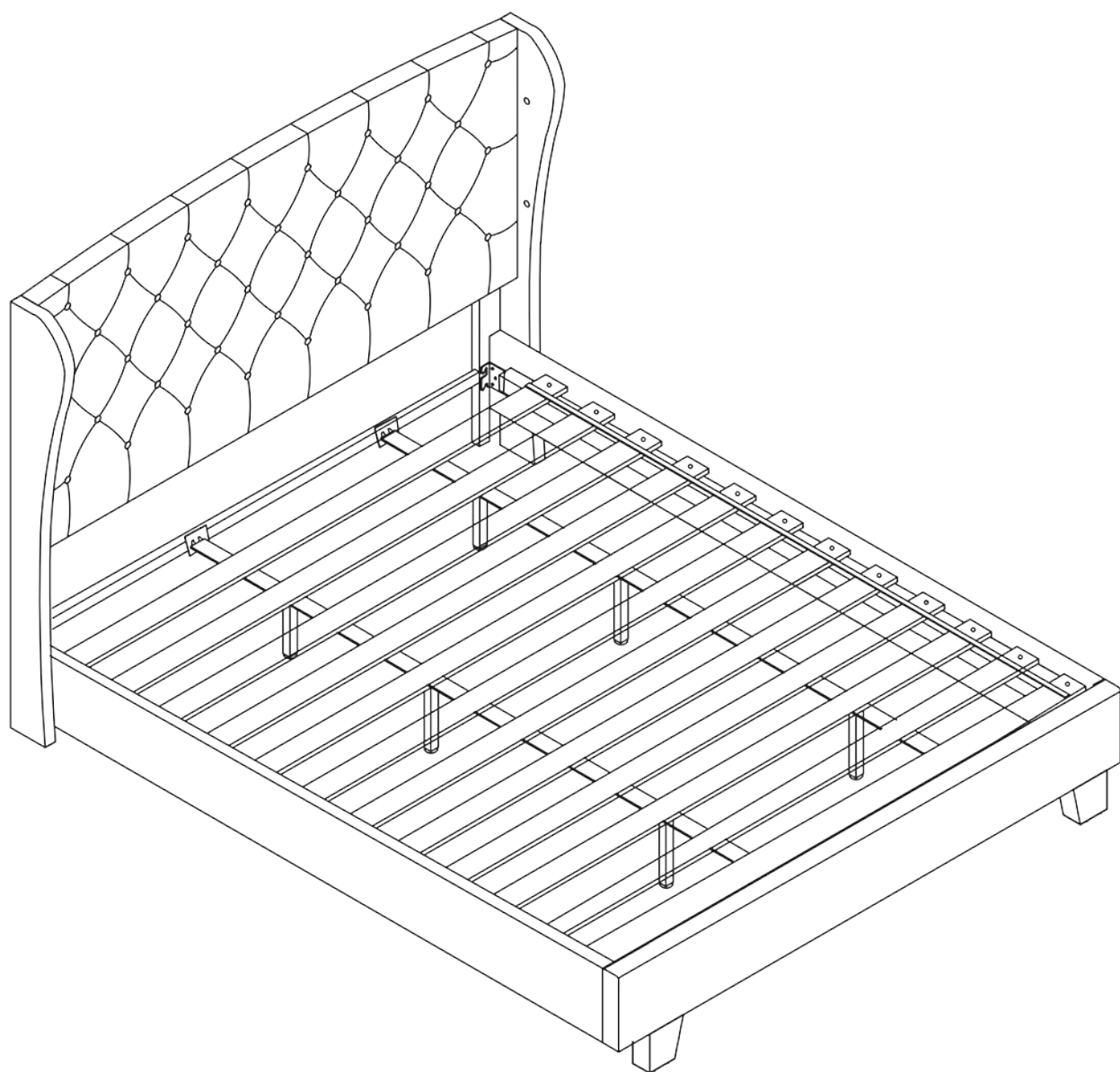
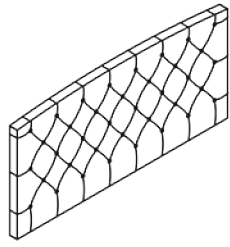
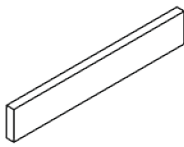
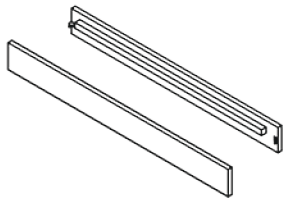
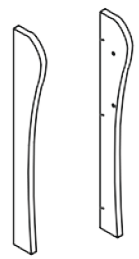

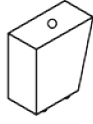
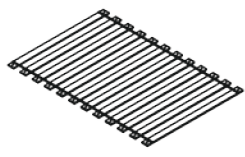


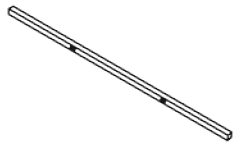
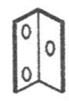











ASSEMBLY INSTRUCTION



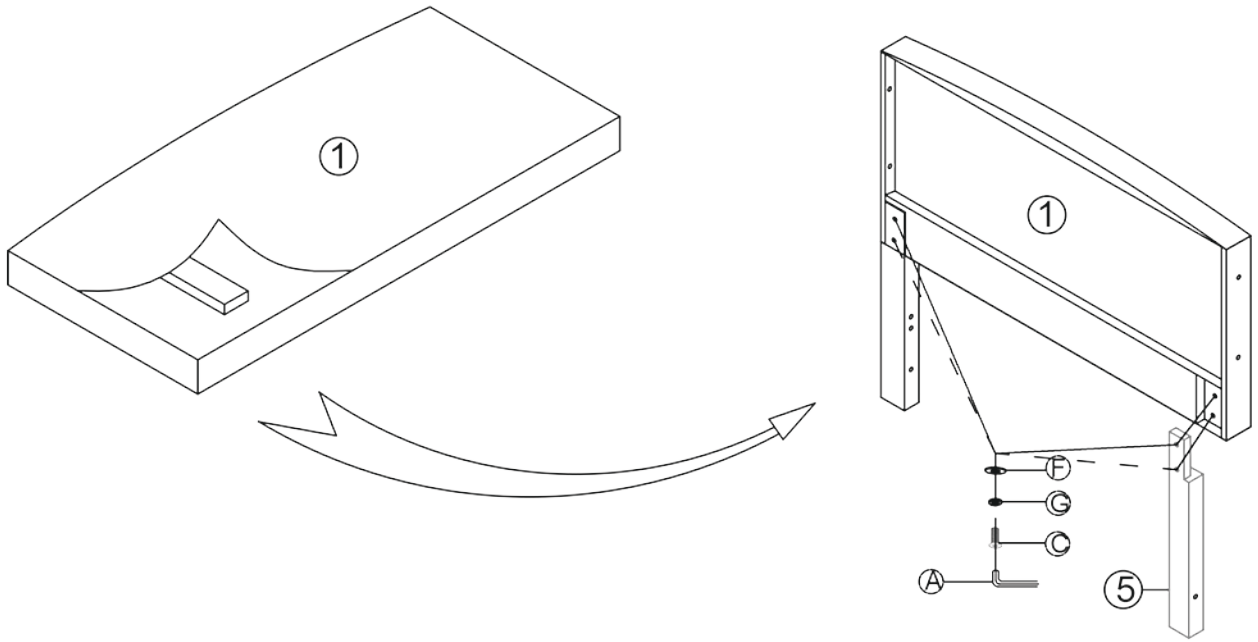
PARTS LIST:

<p>① Headboard=1pc</p> 	<p>② Footboard=1pc</p> 	<p>③ Side Rail=2pcs</p> 	<p>④ Wings=2pcs</p> 
<p>⑤ HB leg(L & R)=2pcs</p> 	<p>⑥ FB Leg=2pcs</p> 	<p>⑦ Slats=26pcs</p> 	<p>⑧ Support rail=2pcs</p> 
<p>⑨ Support leg=6pcs</p> 	<p>⑩ Crossband=1pc</p> 	<p>⑪ Connection Strap=2pcs</p> 	

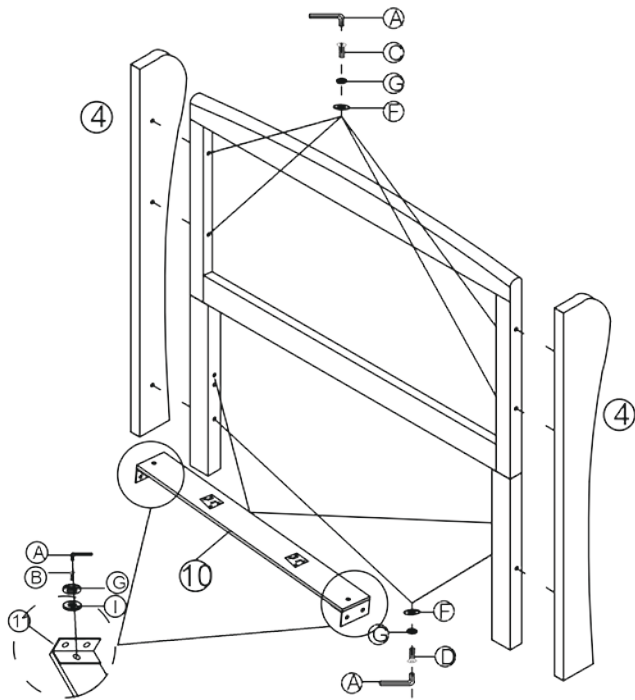
HARDWARE LIST:

<p>Ⓐ Allen Key=1pc</p> 	<p>Ⓑ Bolt $\frac{5}{16}$"x1"=14pcs</p> 	<p>Ⓒ Bolt $\frac{5}{16}$"x2"=8pcs</p> 	<p>Ⓓ Bolt $\frac{5}{16}$"x4"=2pcs</p> 
<p>Ⓔ Bolt $\frac{5}{16}$"x2-1/2"=2pcs</p> 	<p>Ⓕ Flat Washer $\text{Ø}5/16$"X22MM =10pcs</p> 	<p>Ⓖ Spring Washer=26pcs</p> 	<p>Ⓗ Screw 8mmX1-1/2"L =26pcs</p> 
<p>Ⓖ Flat Washer $\text{Ø}5/16$"X19MM =16pcs</p> 			

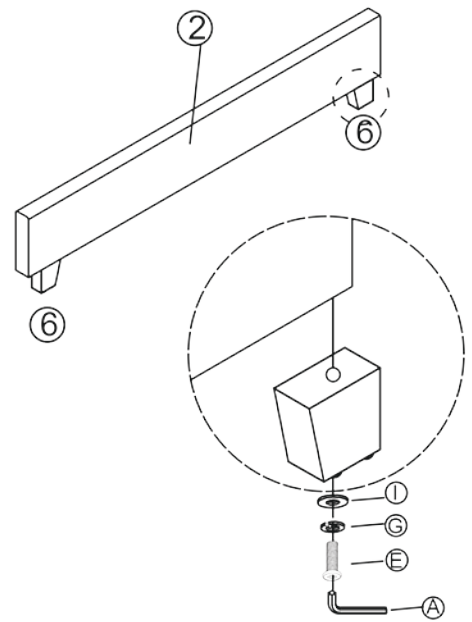
STEP 1



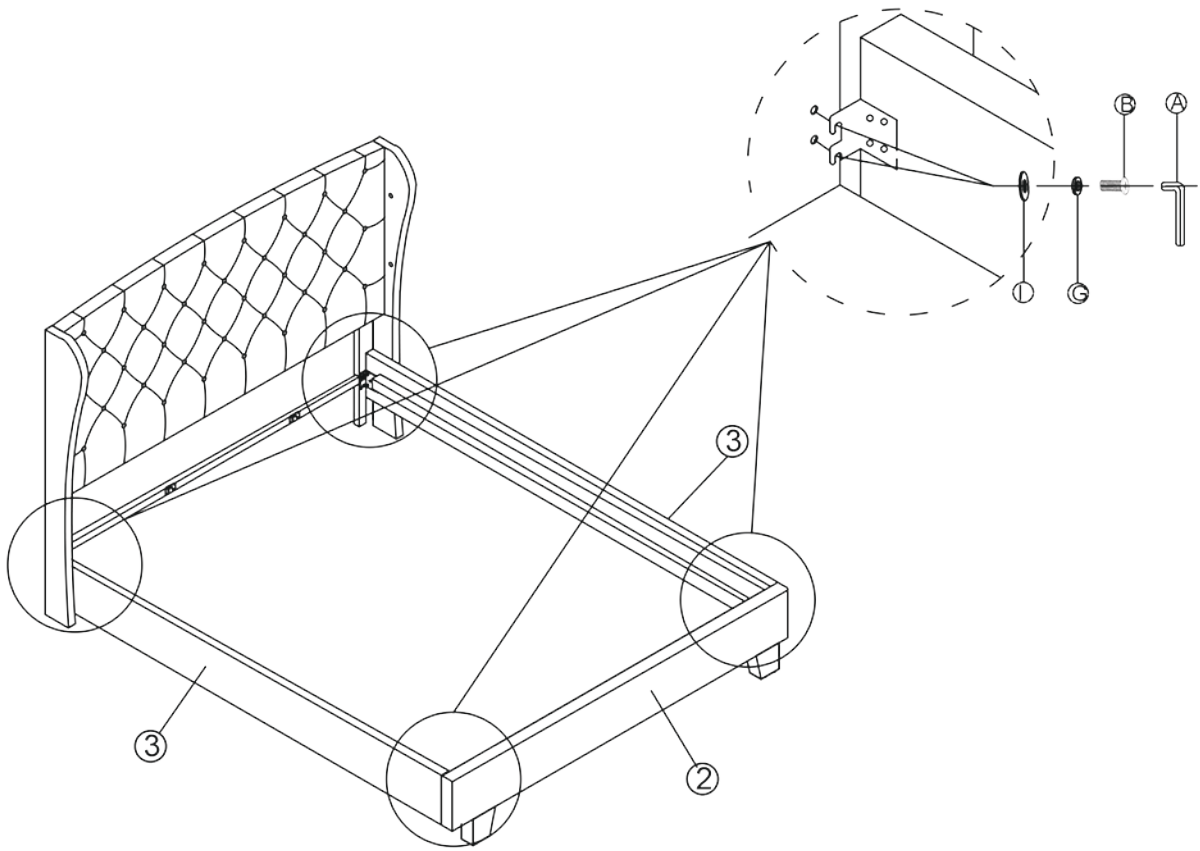
STEP 2



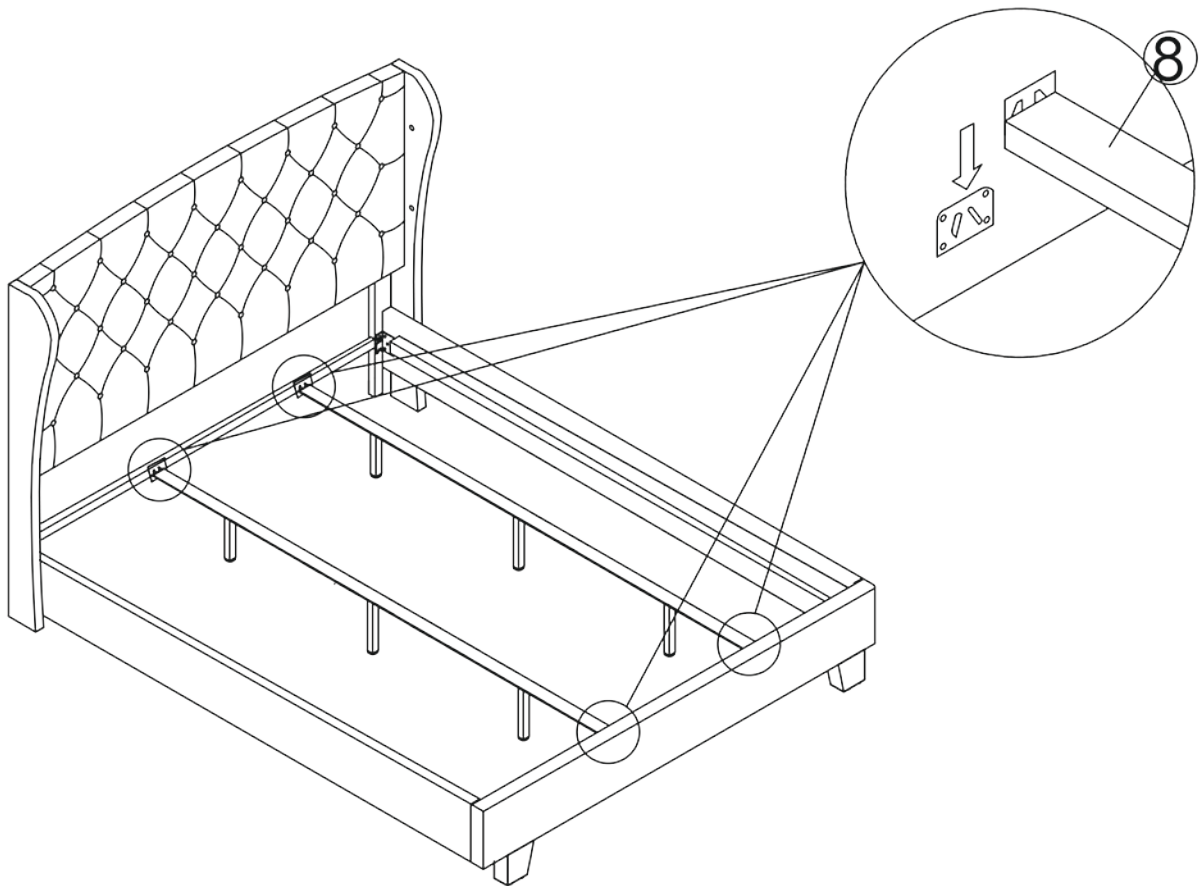
STEP 3



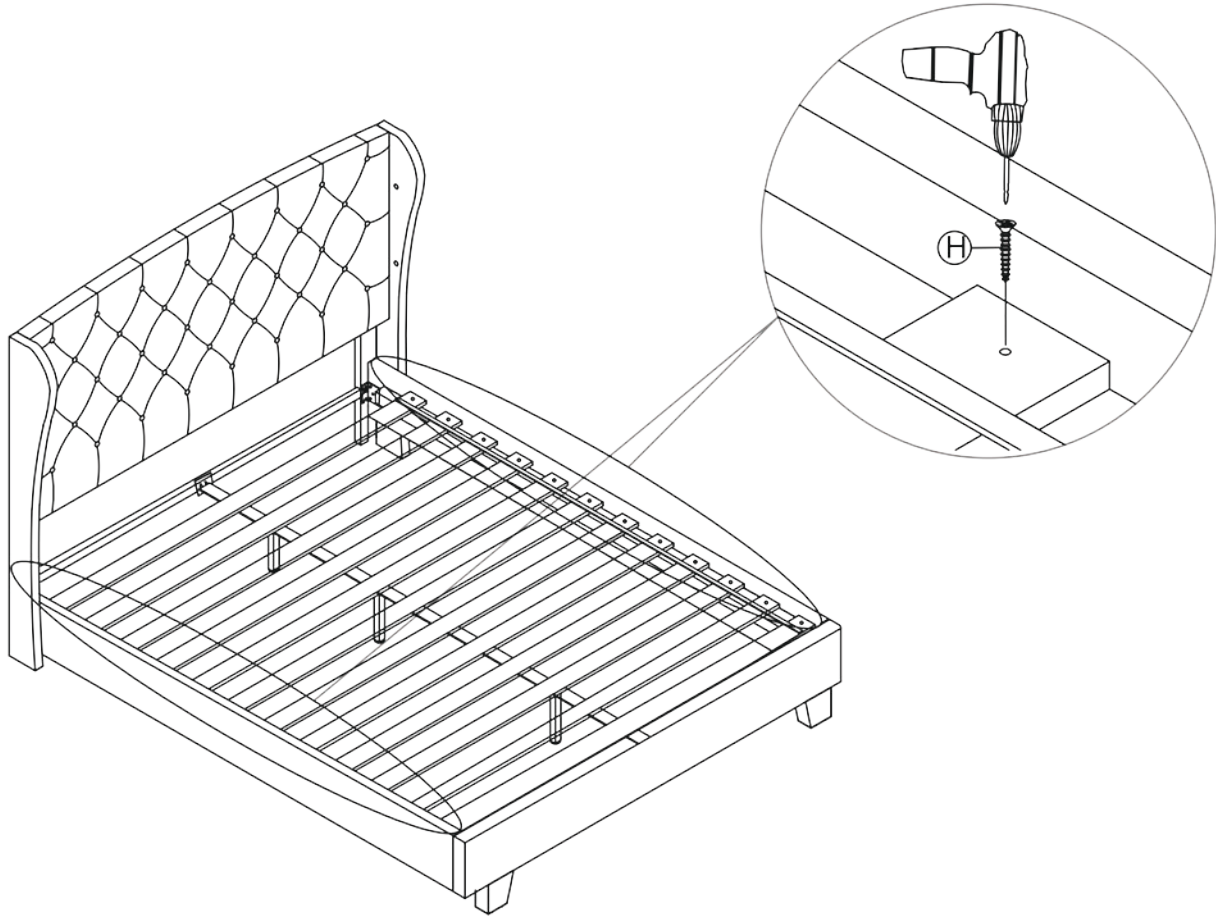
STEP 4



STEP 5



STEP 6



STEP 7

