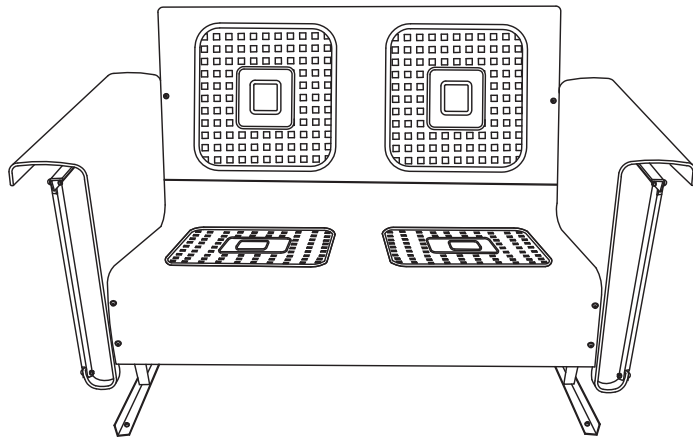
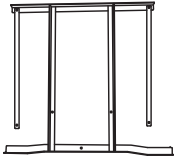
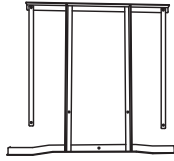
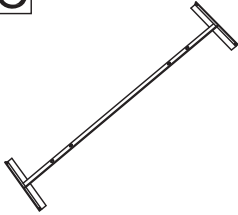
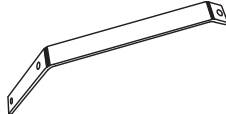
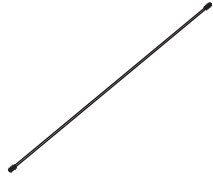
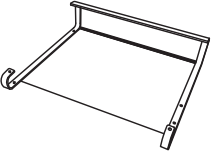
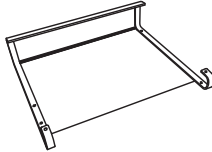

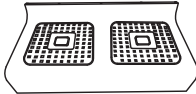
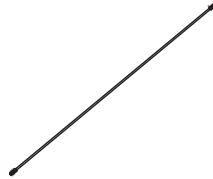


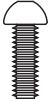





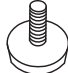

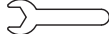


Loveseat Glider



PART LIST

				
Left Glider Leg 1 PC	Right Glider Leg 1 PC	Glider Leg Support 1 PC	Support 2 PCS	Connecting Wire 1 PC
				
Left Arm 1 PC	Right Arm 1 PC	Back Panel 1 PC	Seat Panel 1 PC	Short Connecting Wire 1 PC

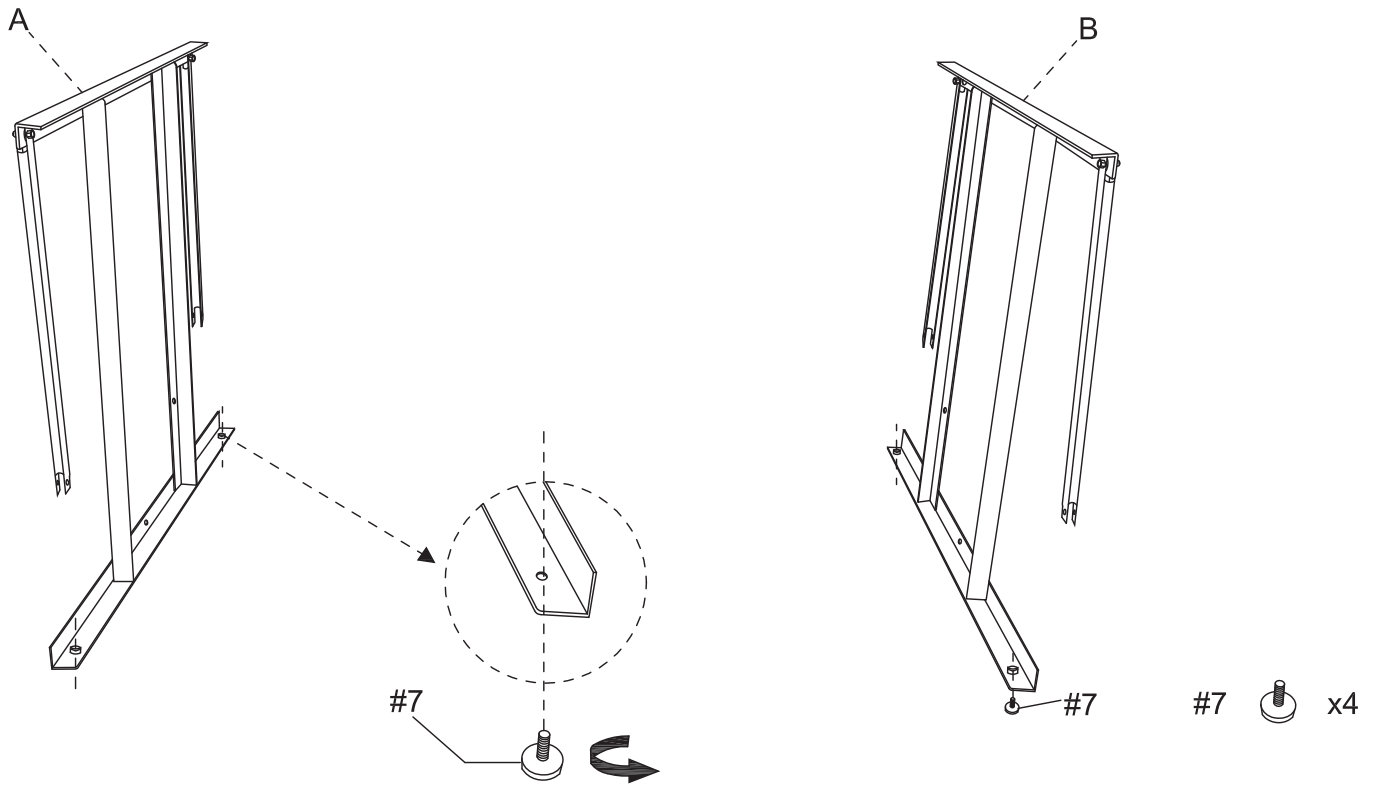
HARDWARE LIST

				
M6x25mm Long Bolt 13 PCS (Extra 3)	M6x20mm Medium Bolt 3 PCS (Extra 1)	M6x16mm Short Bolt 16 PCS (Extra 3)	Self-locking Nut 40 PCS (Extra 3)	Metal Washer 71 PCS (Extra 3)
				
Plastic Washer 10 PCS (Extra 2)	Adjustable Leveler 5 PCS (Extra 1)	Connecting screws 8 PCS (Extra 2)	Wrench 2 PCS	Allen Key 1 PC
				
Touch Up Paint 1 PC				

IMPORTANT NOTE Section:

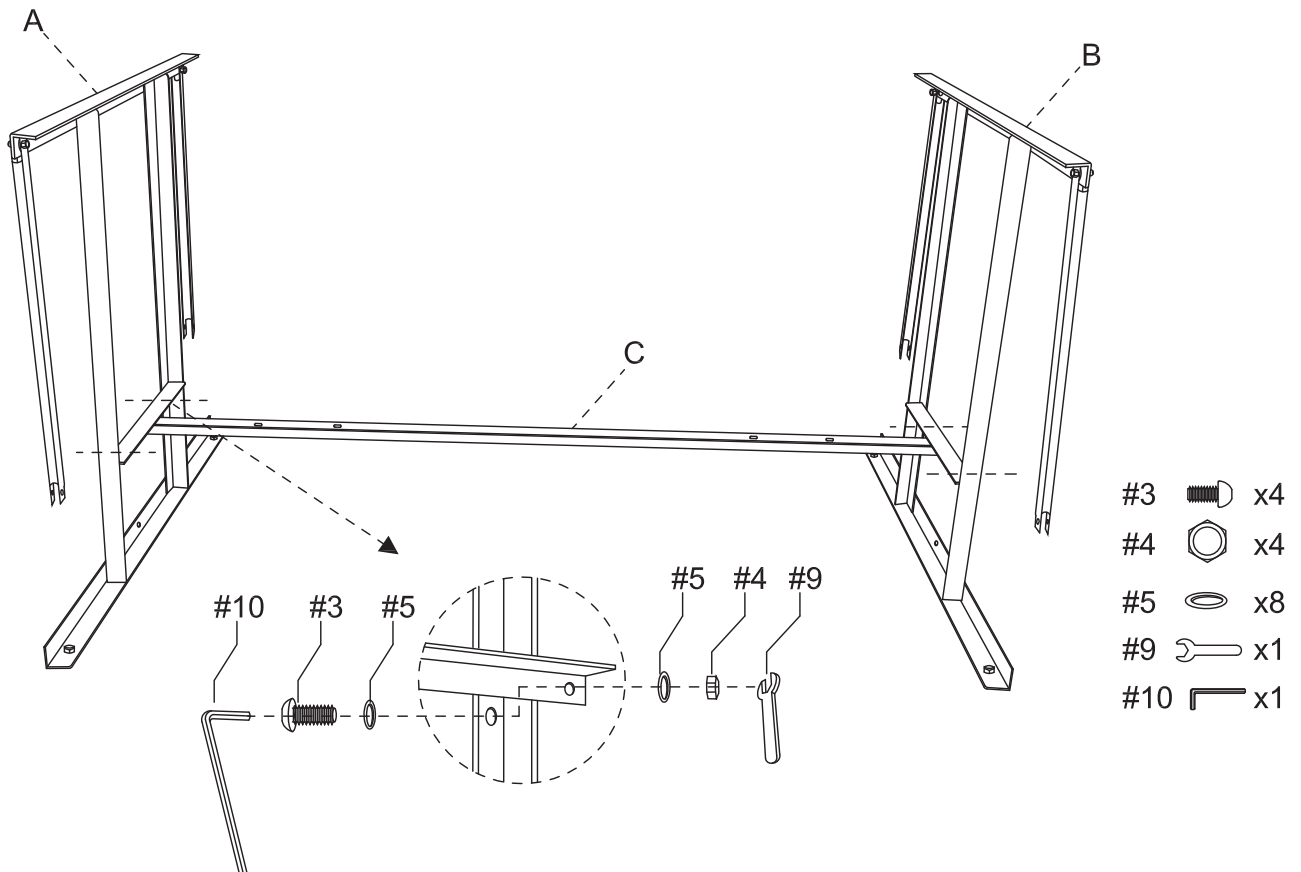
1. The Touch Up Paint (part #11) is only for small scratches and dents.
2. We recommend using at least two people to assemble this glider.

Step 1. Screw the adjustable levelers (part #7) into the pre-drilled holes on the bottom of the glider legs (part #A & #B).



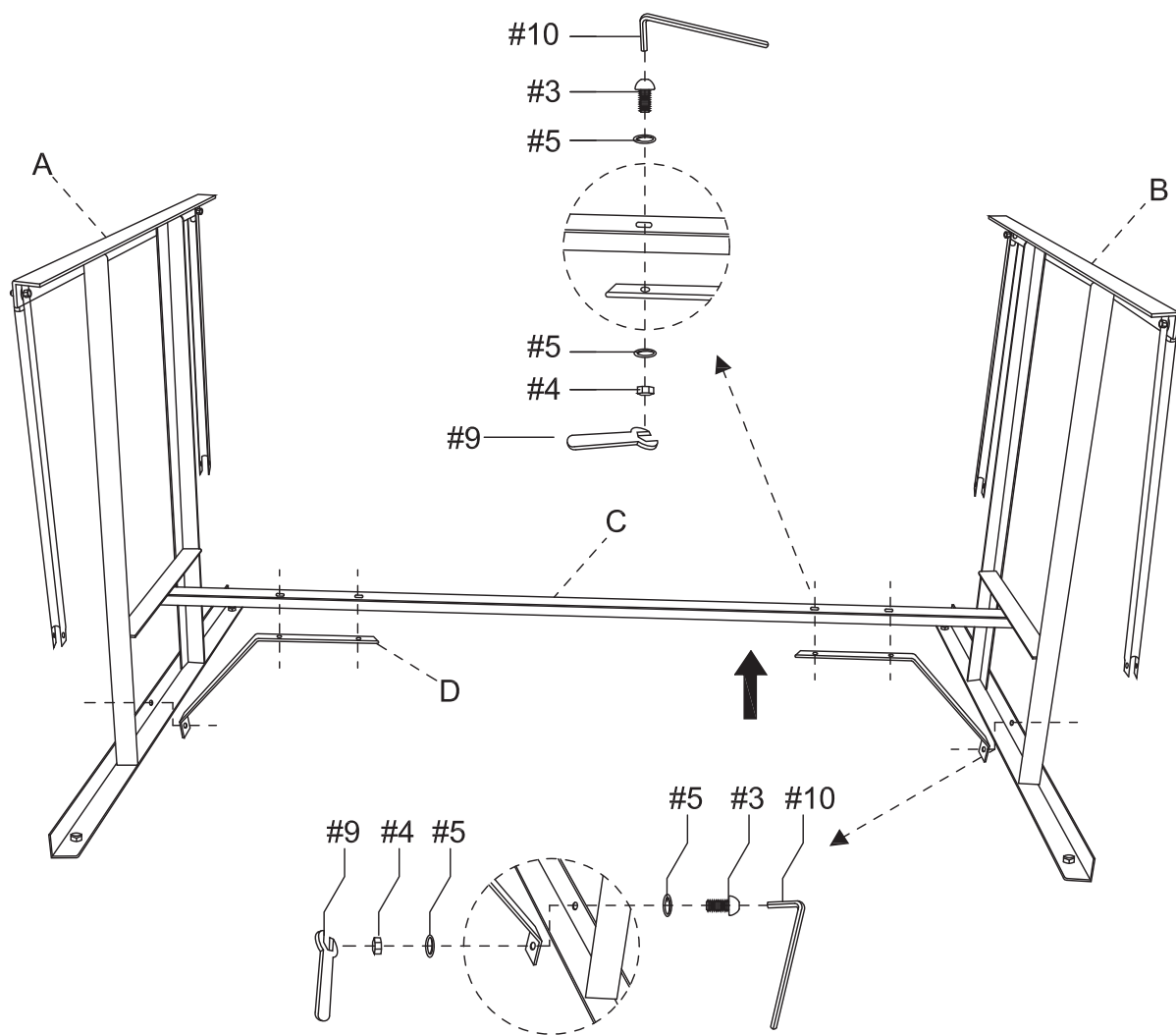
Step 2. Attach glider leg support (part #C) to the left glider leg (part# A) and the right glider leg (part #B) using short bolts (part #3), metal washers (part #5), self-locking nuts (part #4), wrench (part #9) and allen key (part #10).






NOTE: Please do not fully tighten bolts until unit is fully assembled.



Step 3. Attach support (part #D) to the glider leg support (part #C) using short bolts (part #3), metal washers (part #5), self-locking nuts (part #4), wrench (part #9) and allen key (part #10).

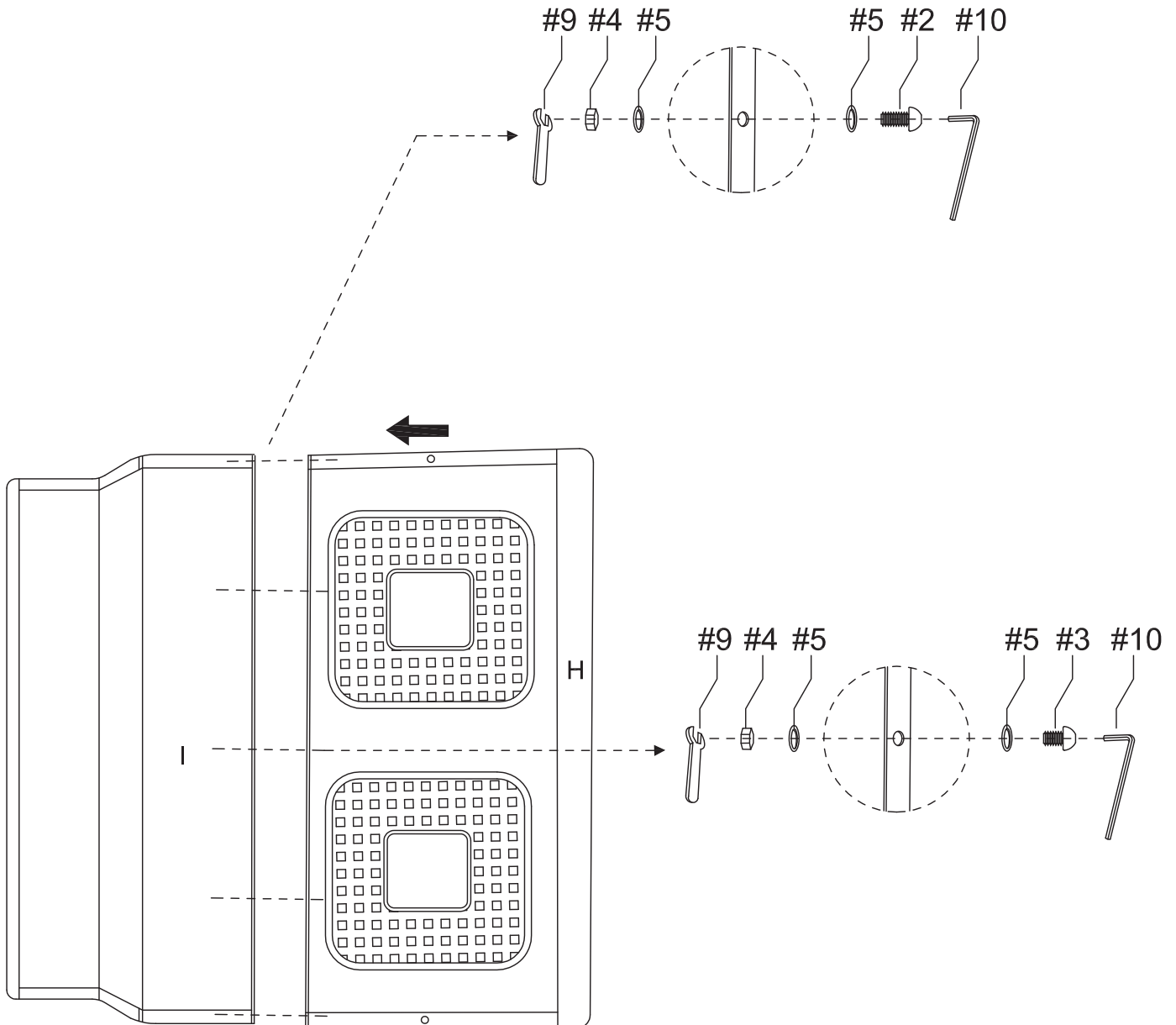
NOTE: Please do not fully tighten bolts until unit is fully assembled.









- #3  x6
- #4  x6
- #5  x12
- #9  x1
- #10  x1

Step 4. Attach back panel (part #H) to seat panel (part #I) using medium bolts (part #2), short bolts (part #3), metal washers (part #5), self-locking nuts (part #4), wrench (part #9), and allen key (part #10).

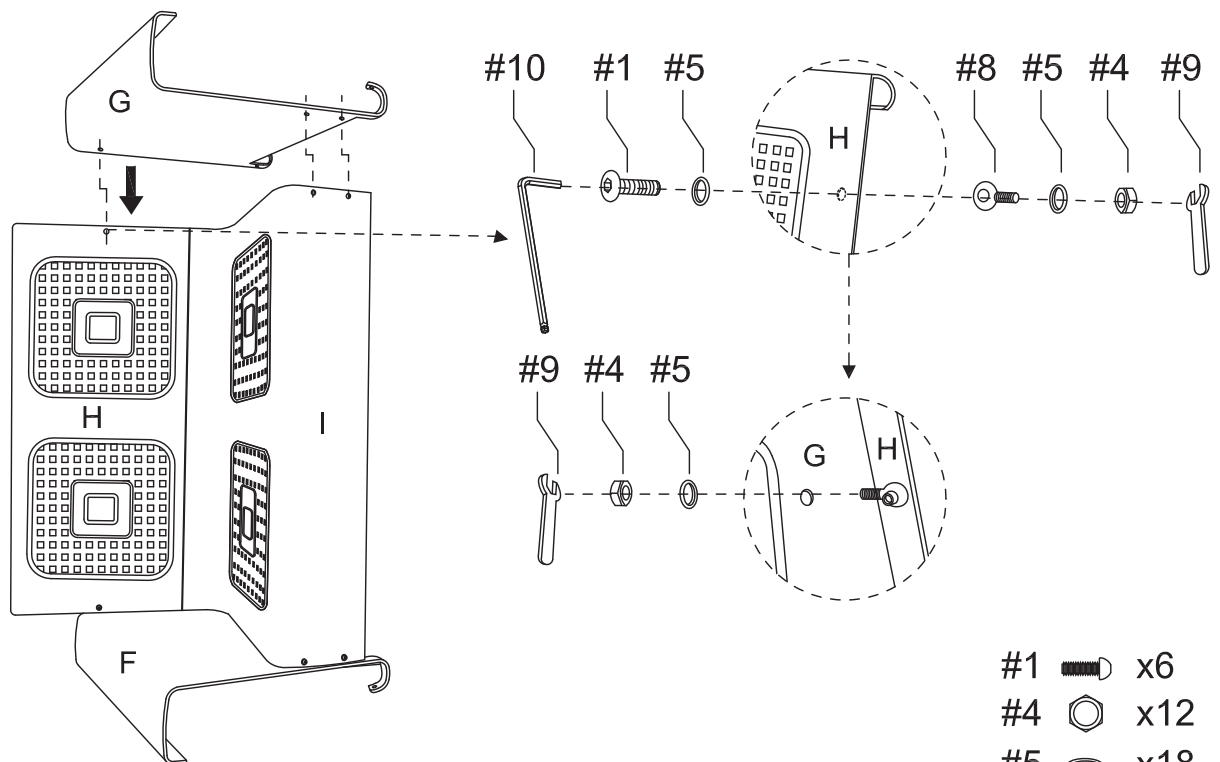
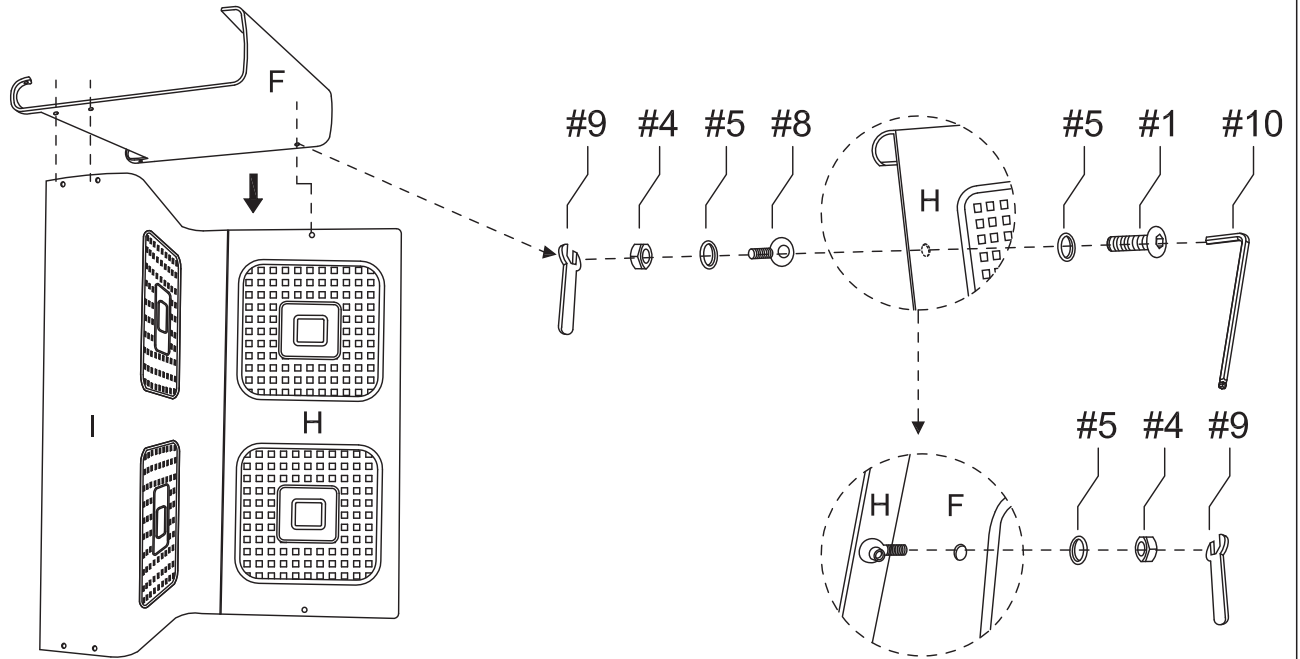
NOTE: Please do not fully tighten bolts until unit is fully assembled.









- #2  x2
- #3  x3
- #4  x5
- #5  x10
- #9  x1
- #10  x1

Step 5. Install the connecting screws (part #8) on the back of assembled parts (part #H&I) using long bolts (part #1), connecting screws (part #8), metal washers (part #5), self-locking nuts (part #4), wrench (part #9) and allen key (part #10) as shown in the first image insert. Make sure the connecting bolts are on the back of assembled parts (part #H&I) and sticking out as shown in the second image insert. Next, connect left arm (part #F) and right arm (part #G) to assembled parts (part #H&I) using the connecting bolts (already installed), metal washers (part #5), self-locking nuts (part #4) and wrench (part #9).

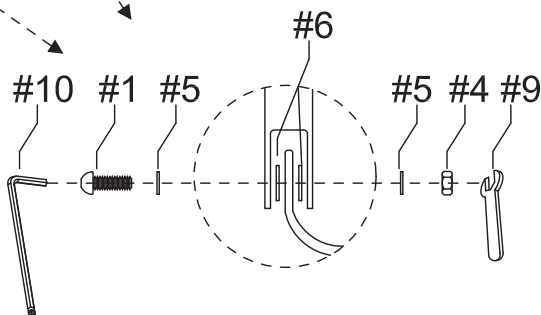
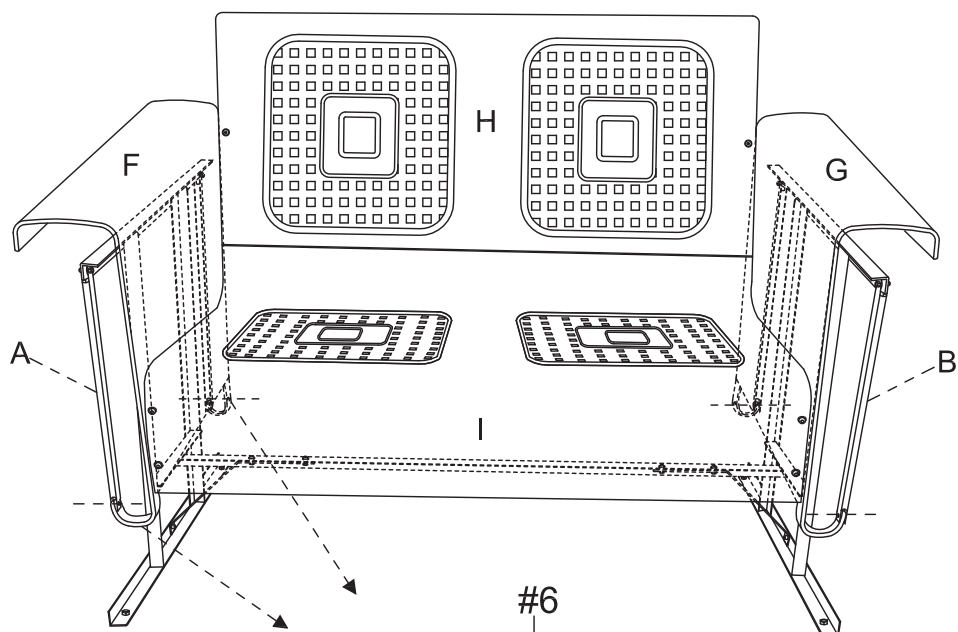
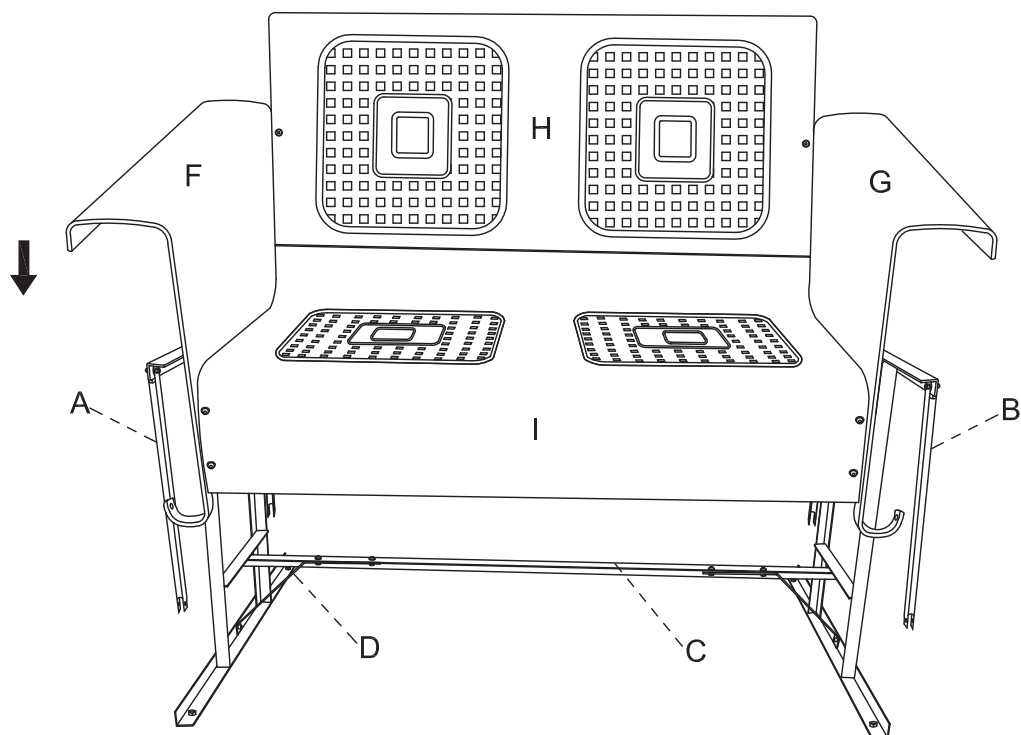
NOTE: Please do not fully tighten bolts until unit is fully assembled.









- #1  x6
- #4  x12
- #5  x18
- #8  x6
- #9  x1
- #10  x1

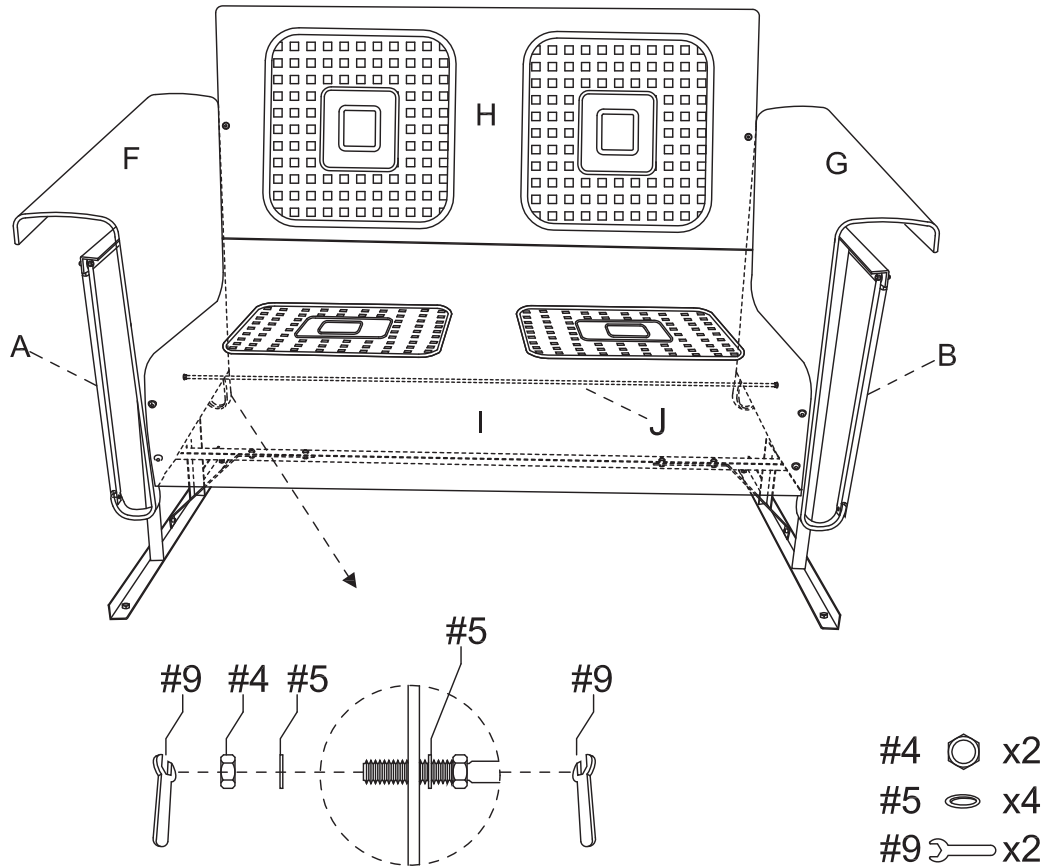
Step 6. Using at least two people, carefully lift assembled parts (part #F,G,H&I) inside assembled parts (part #A,B,C&D) and attach hooks on left arm (part #F) and right arm (part #G) to the swing arms on left glider leg (part #A) and right glider leg (part #B) using long bolts (part #1), metal washers (part #5), plastic washers (part #6), self-locking nuts (part #4), wrench (part #9) and allen key (part #10).

NOTE: Please fully tighten all bolts at this time.

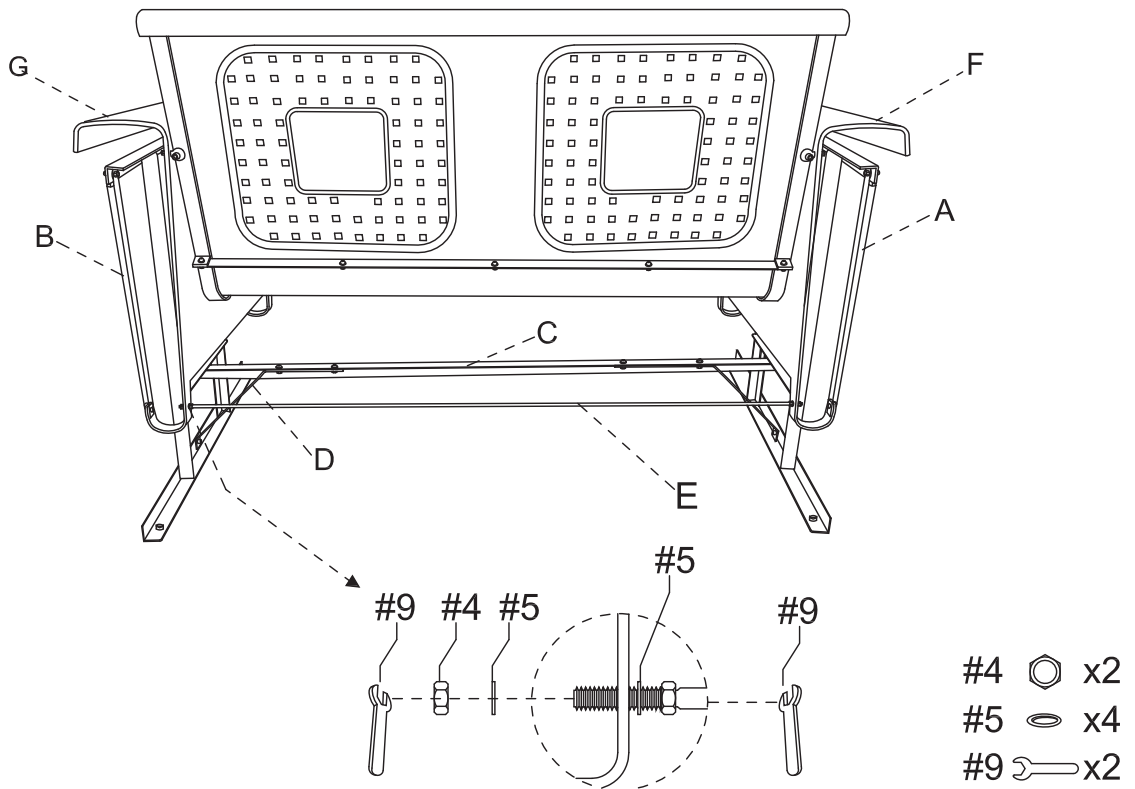


- #1  x4
- #4  x4
- #5  x8
- #6  x8
- #9  x1
- #10  x1

Step 7. Attach short connecting wire (part #J) to left arm (part #F) and right arm (part #G) using metal washers (part #5), self-locking nuts (part #4) and wrench (part #9).



Step 8. Attach connecting wire (part #E) to left arm (part #F) and right arm (part #G) using metal washers (part #5), self-locking nuts (part #4) and wrench (part #9).



Step 9. **IMPORTANT NOTE:** Please always use at least two people when moving this completed loveseat glider, and be careful of the moving parts.

