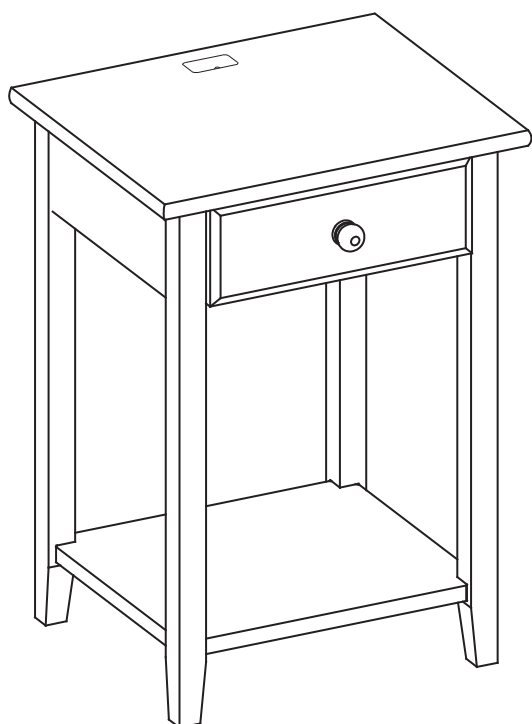
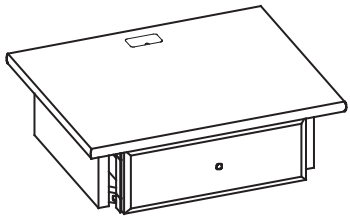
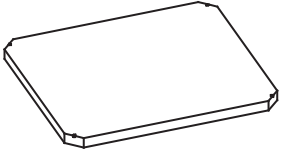
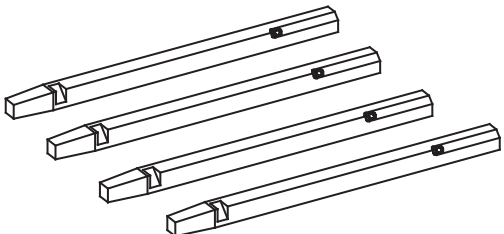


# Assembly Instruction Sheet

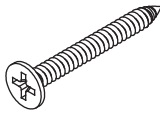
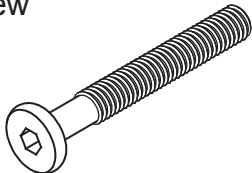


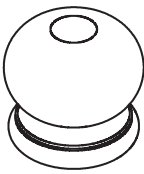
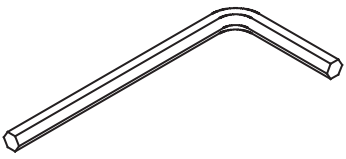
## Night Stand with USB Port



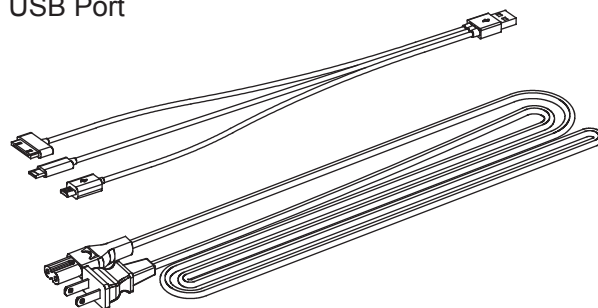
### Parts List

Part	Description	
A	Top Set	1 Pc.
		
B	Bottom Shelf	1 Pc.
		
C	Leg	4 Pcs.
		

### Hardware

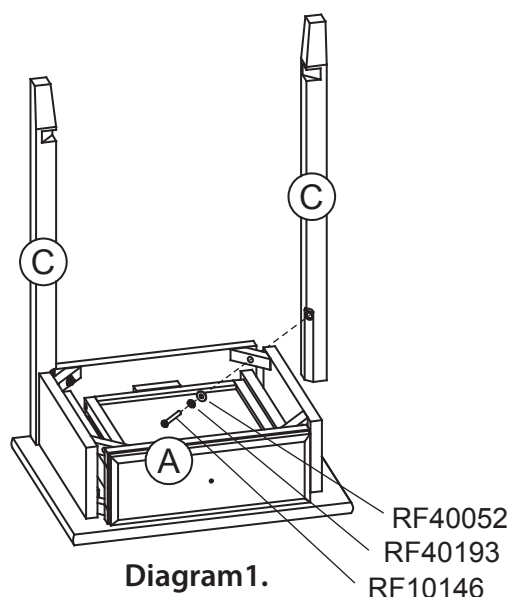
Part	Description	
RF10002	Small Screw	5 Pcs.
		
RF10146	Big Screw	4 Pcs.
		
RF40193	Spring Washer	4 Pcs.
		
RF40052	Washer	4 Pcs.
		
RF40008	Knob	1 Pc.
		
RF40103	Allen Key	1 Pc.
		

### USB Port

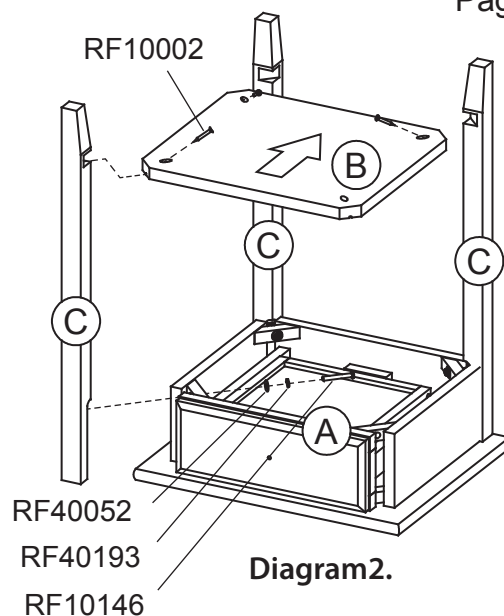


### USB Adapter Specifications

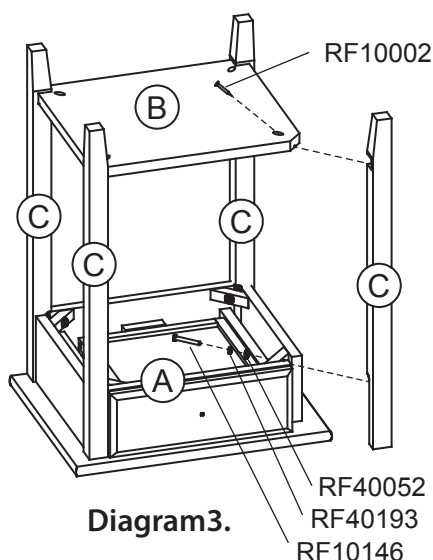
Input Voltage	AC 100-240V 50/60Hz
Input Current	≤ 350mA @ 220V AC w/ full load
Output Voltage	5.0V ± 0.25V
Load Regulation	-0.5% (Max)
Output Current	3.1A Max
Output Ripple	< 400mV p-p
Efficiency	> 75% @ 220V AC
Output Plug	USB Type A x 4
Over Power	≈ 17W @ 220V AC
Short Protection	Auto Recovery

**Step 1:**

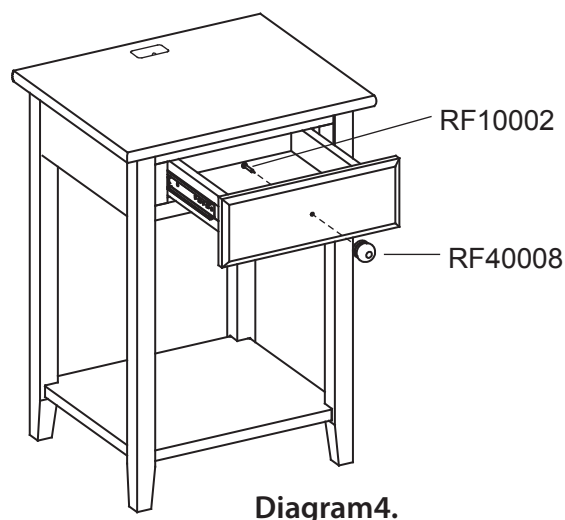
Attach 2 Legs (C) into the Table Top (A) using 2 Screw (RF10146), 2 Spring Washer (RF40193) and 2 Washer (RF40052) as per Diag.1.

**Step 2:**

Insert Bottom Shelf (B) into the grooves on Legs (C) and attach one Leg (C) using Screw (RF10002), Spring Washer (RF40193) and 2 Washer (RF40052). Then fit the Legs by screw (RF10002) as per Diag.2.

**Step 3:**

Repeat step 2. as per Diag.3.

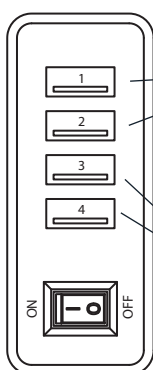
**Step 4:**

Stand the unit upright and attach Knob (RF40008) into the Drawer Front. as per Diag.4.

**Step 5.**

Attach supplied AC cable from underneath the table and plug into a standard wall outlet. Unit is now ready to accept the supplied 3-in-1 cable.

\*After multiple devices are charged simultaneously, please disconnect them in the reverse order.

**USB 1 & 2 PORTS**

Fast charging ports for devices that require higher current, ideal for iPads and Android tablets, while also compatible with other mobile devices.

**USB 3 & 4 PORTS**

Standard USB ports, ideal for smartphones and other mobile devices.