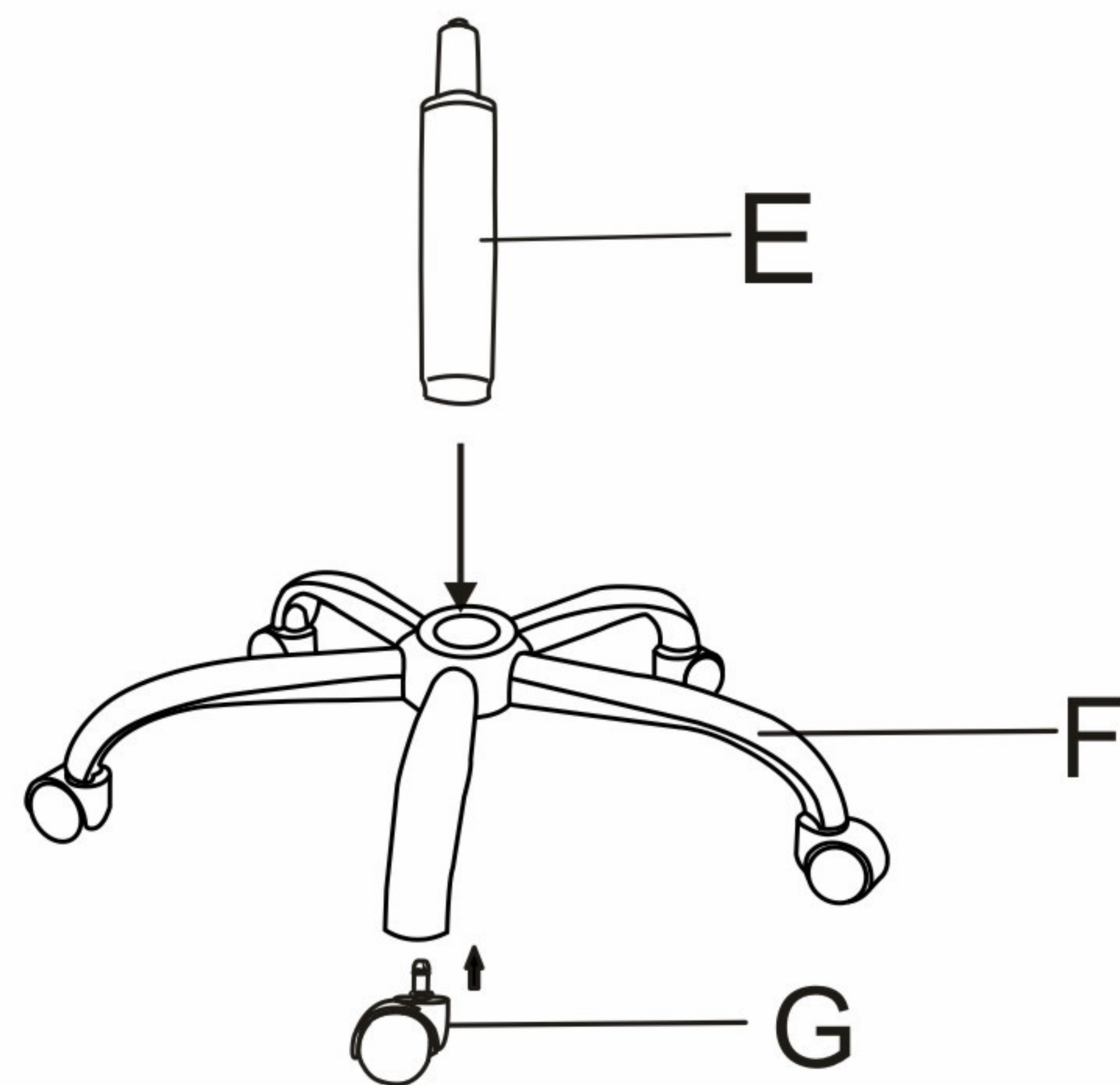


ASSEMBLY INSTRUCTION

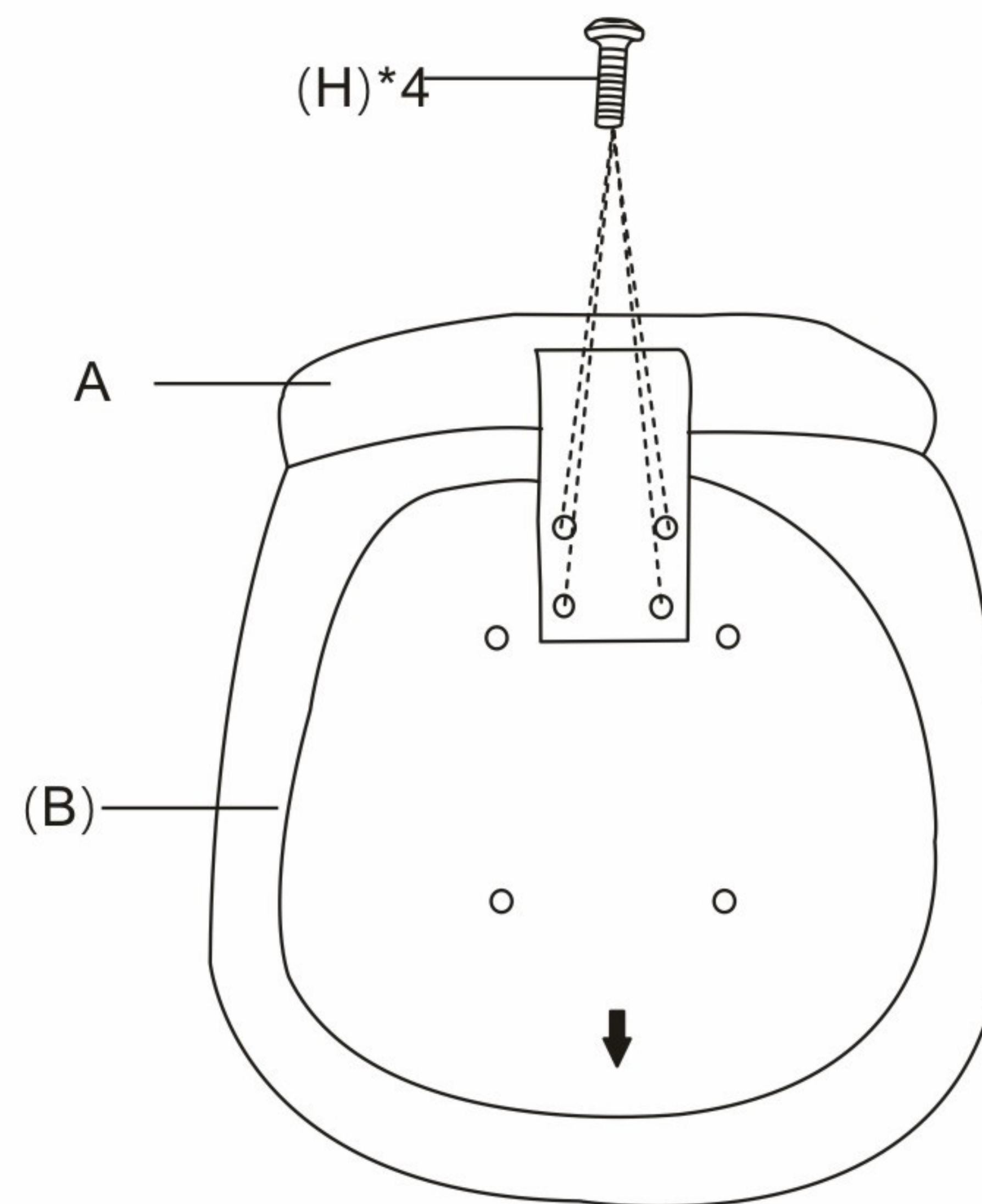
▽ PARTSxQTY

▽ ASSEMBLY PROGRAM

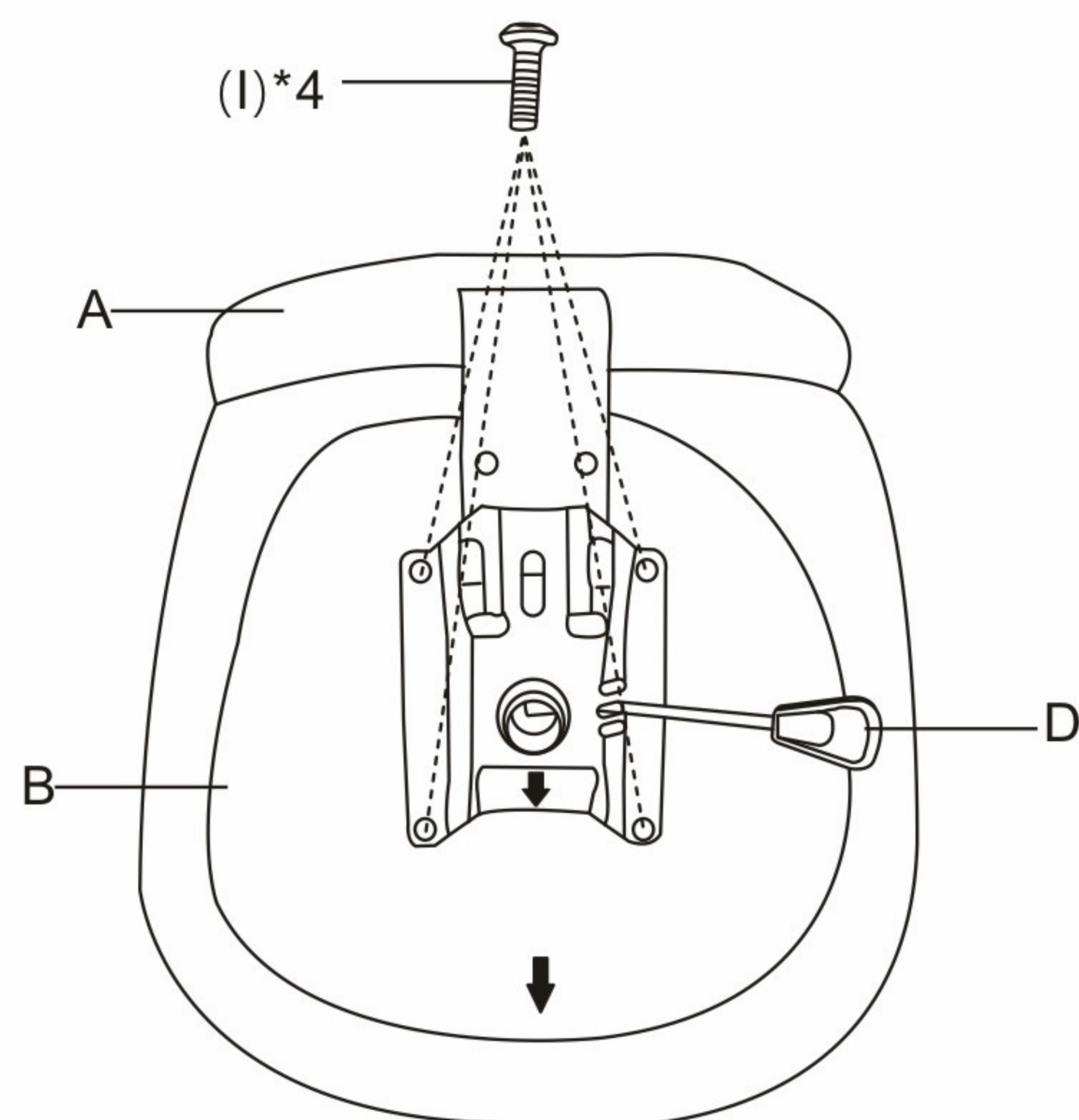
①



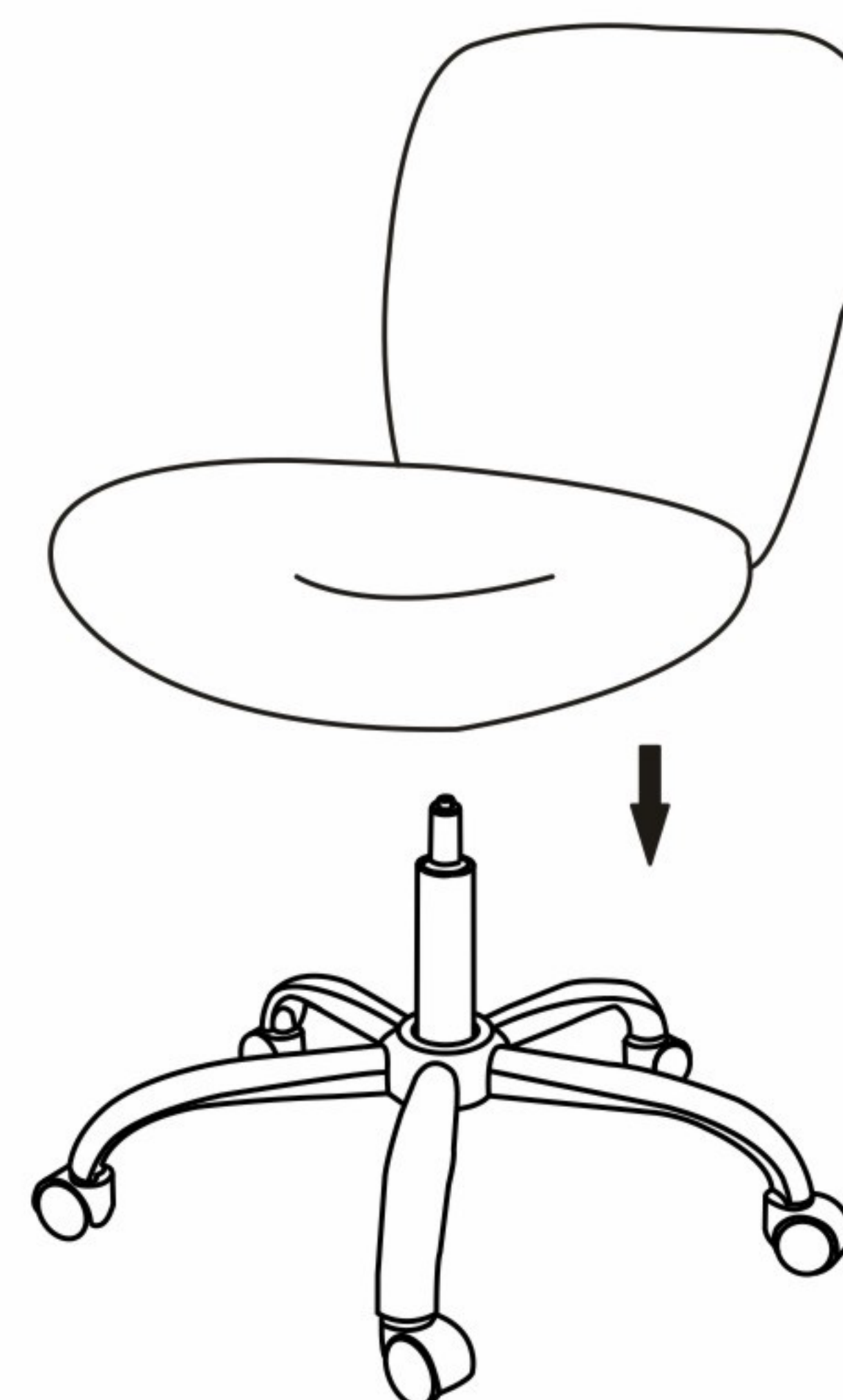
①



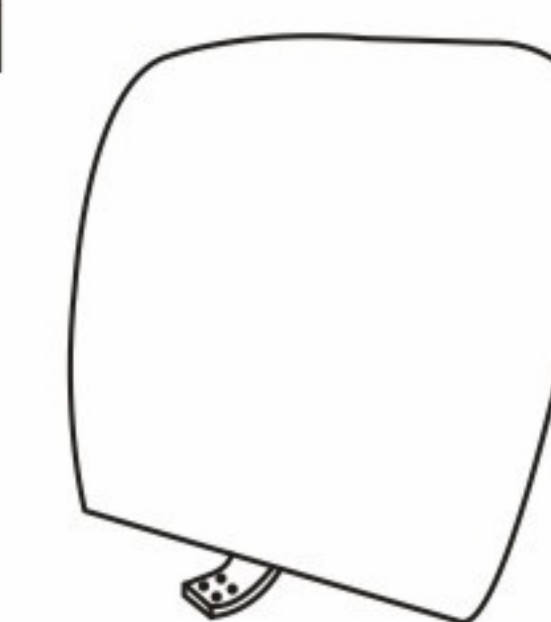
③



④



Ax1



Gx5



Bx1



Hx4

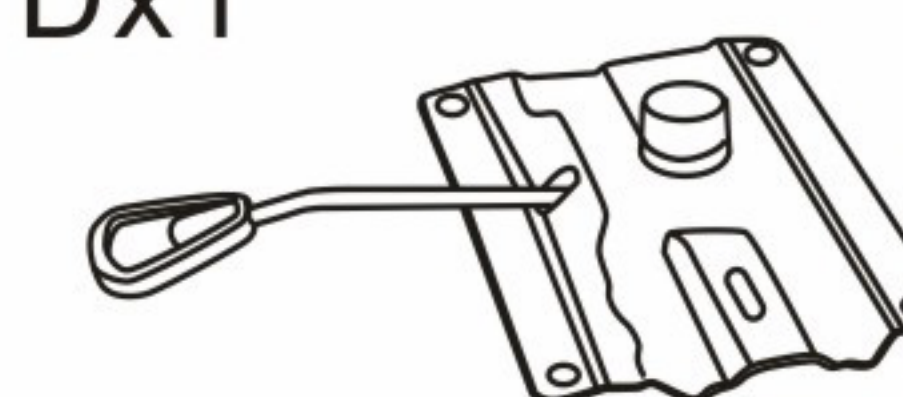


Cx1



M6x25mm

Dx1

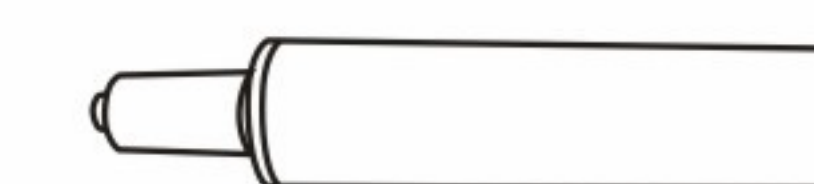


Ix4



M6x20mm

Ex1



Jx1

Fx1

