

ASSEMBLY INSTRUCTION FOR ACME FURNITURE








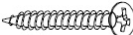
MODEL# 66180T/66181ST VENUS TABLE

Thank you for purchasing the quality product. Be sure to check all packing material carefully for small parts which may have come loose inside the carton during shipment. Separate, identify and count all parts and metal hardware. Compare with all parts list to be sure all parts are present. If any part(s) are missing or damaged, please contact your local furniture dealer. For efficient and speedy service, please indicate the model number and code letter of part(s) needed.

*****Do not fully tighten screws until fully assembled*****

DESCRIPTION	COMPONENT PARTS	
	PART NAME	Q'TY (PCS)
P1	PEDESTAL LEGS	2
P2	LEG PRONGS	4
P3	BOTTOM STRETCHER	1
P4	TOP RAIL	1
P5	MOUNTING BAR	4
P6	TABLE TOP	1

HAREWARES REQUIRED

H1		WRENCH - 1 PC
H2		HEX NUX - 24 PCS
H3		M8 SPRING WASHER - 24 PCS
H4		M8 FLAT WASHER - 24 PCS
H5		ALLEN KEY - 1 PC
H6		JCBC BOLT M6 x 70MM - 2 PCS
H7		M6 SPRING WASHER - 2 PCS
H8		CHIPBOARD SCREW M4 x 32MM - 16 PCS

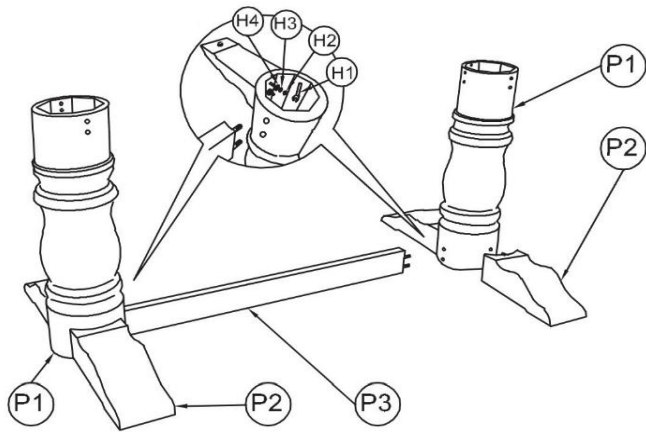
Attention:

*** Some number parts listed on the instruction sheet may not be in parts bag as they may already be assembled.

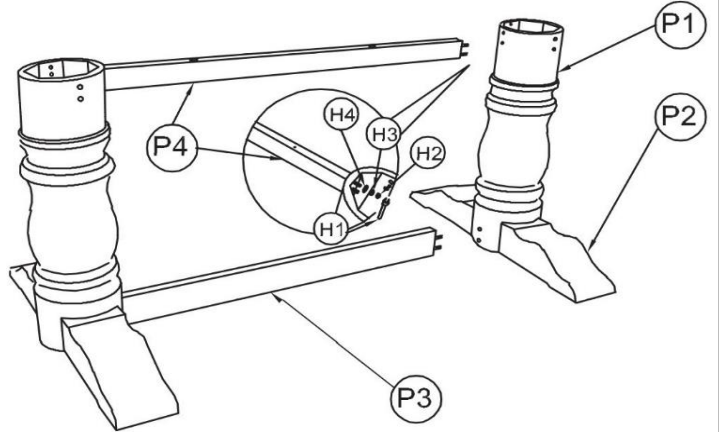
Carefully check parts and packing materials prior to ordering replacements.

How to assemble:

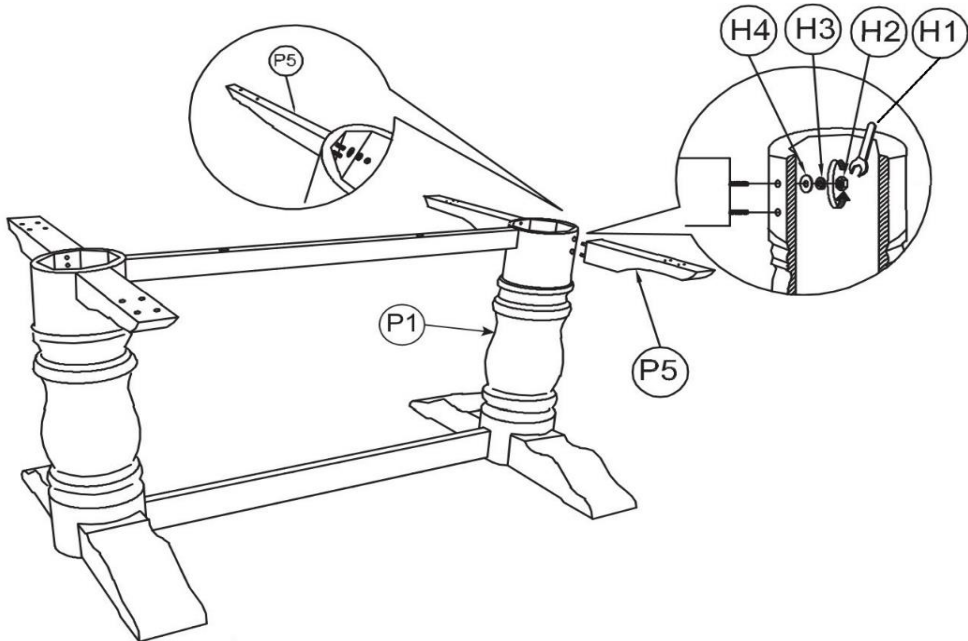
STEP 1:



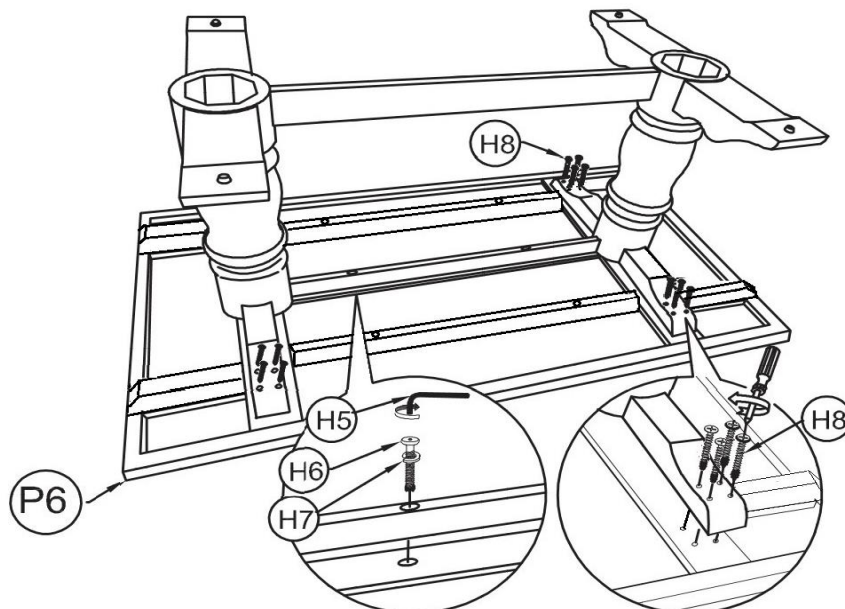
STEP 2:



STEP 3:



STEP 4:



ASSEMBLY INSTRUCTION FOR ACME FURNITURE






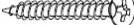
MODEL# 66182 SIDE CHAIR

Thank you for purchasing the quality product. Be sure to check all packing material carefully for small parts which may have come loose inside the carton during shipment. Separate, identify and count all parts and metal hardware. Compare with all parts list to be sure all parts are present. If any part(s) are missing or damaged, please contact your local furniture dealer. For efficient and speedy service, please indicate the model number and code letter of part(s) needed.

*****Do not fully tighten screws until fully assembled*****

DESCRIPTION	COMPONENT PARTS	
	PART NAME	Q'TY (PCS)
P1	CHAIR BACK	2
P2	CHAIR SEAT	2
P3	FRONT LEG	4
P4	SIDE STRETCHER	4

HAREWARES REQUIRED

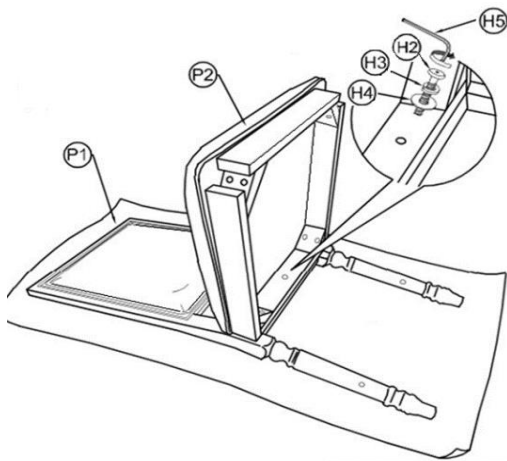
H1		JCBC BOLT M6 x 80MM - 16 PCS
H2		JCBC BOLT M6 x 35MM - 2 PCS
H3		SPRING WASHER - 18 PCS
H4		FLAT WASHER - 18 PCS
H5		ALLEN KEY - 1 PC
H6		CHIPBOARD SCREW M4 x 32MM - 8 PCS

Attention:

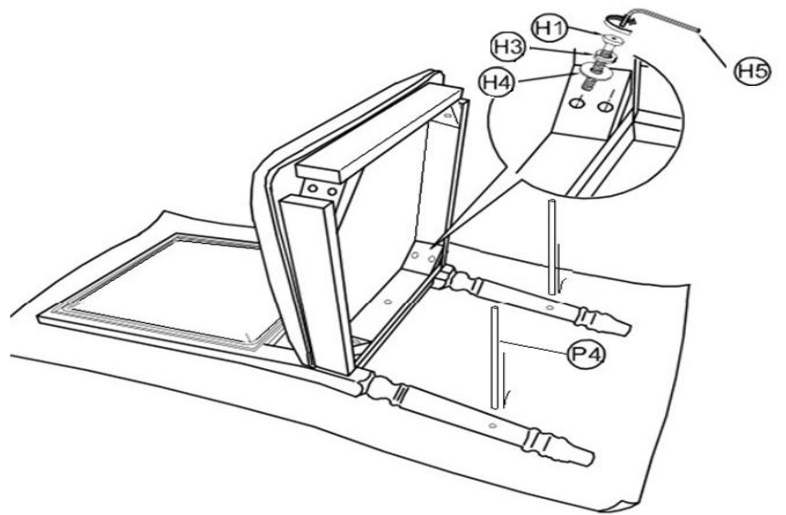
***** Some number parts listed on the instruction sheet may not be in parts bag as they may already be assembled. Carefully check parts and packing materials prior to ordering replacements.**

How to assemble:

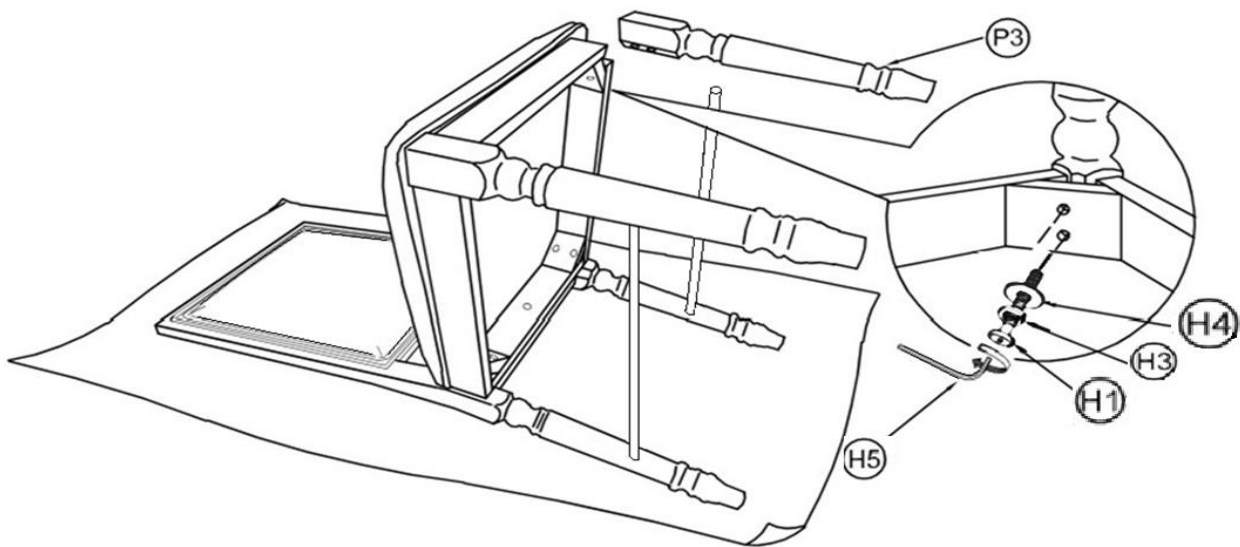
STEP 1:



STEP 2:



STEP 3:



STEP 4:

