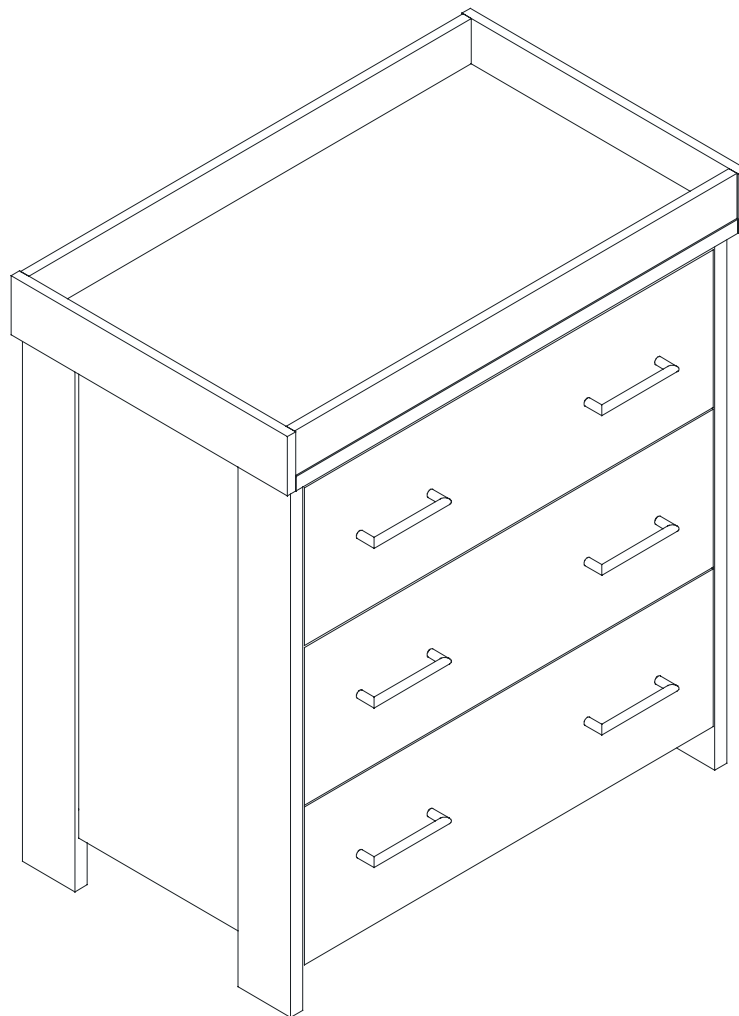




Nika Changing Unit

Instructions

Version: R1-0-3



**IMPORTANT
KEEP FOR FUTURE REFERENCE**



Safety Warnings

Thank you for choosing Obaby. This changing unit conforms to BS EN 12221:2008+A1:2013 FIRA/FRQG C001 & C004:2016. To ensure that your changing unit is used in accordance with these instructions, please read them fully.

Your child's safety may be affected if you do not follow these instructions.

WARNING: Installation shall be carried out exactly according to the manufacturers instructions - otherwise a safety risk can occur if incorrectly installed.

WARNING: Do not leave the child unattended.

WARNING: Assembly should be carried out by a competent adult only.

WARNING: In order to prevent tipping this product must be used with the wall attachment devices provided. Serious or fatal crushing injuries can occur from furniture tipping over.

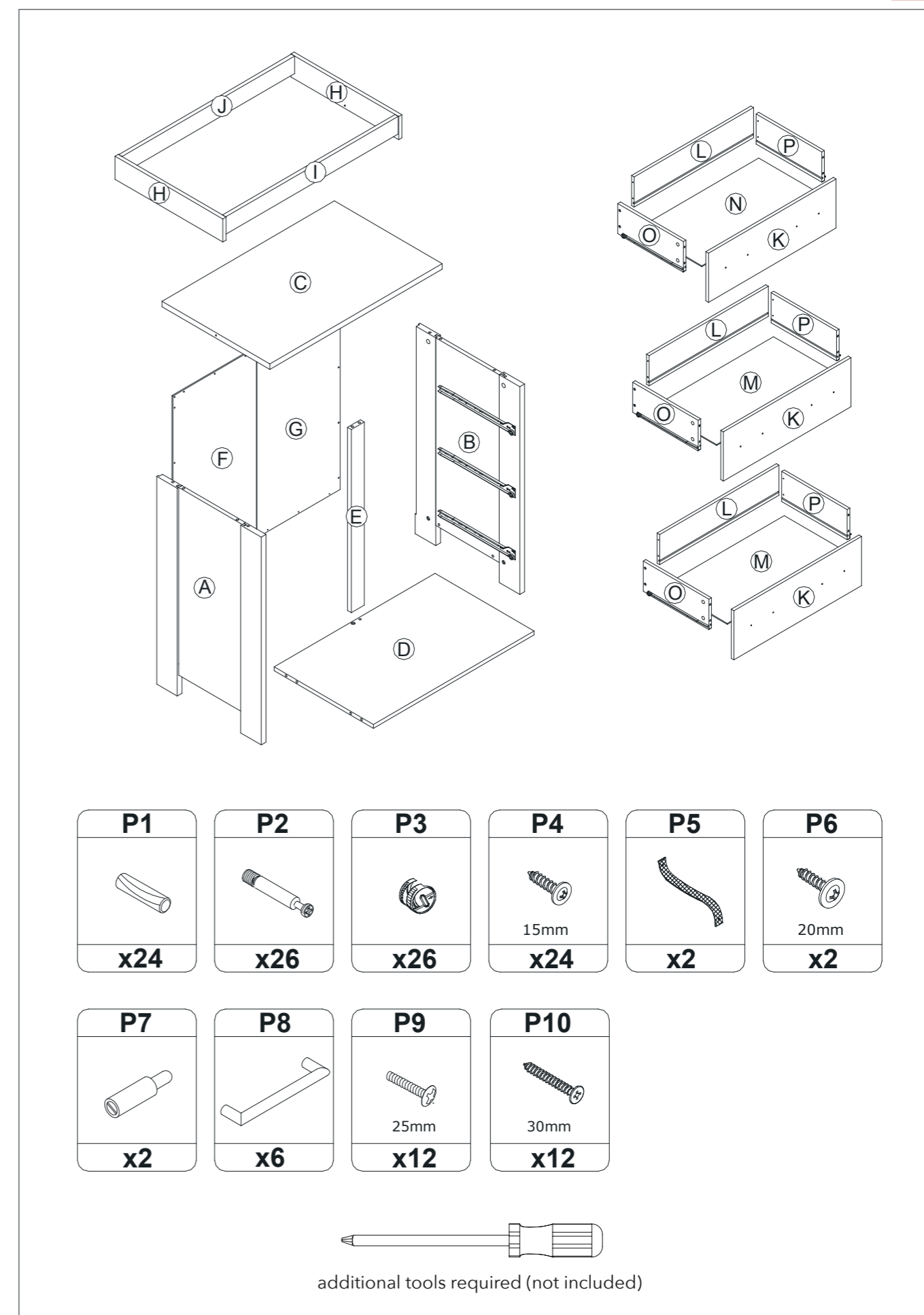
- The changing unit must be used on a level and stable surface.
- Never move the changing unit with the child on it.
- Be aware of the risk of open fire and other sources of heat, such as electric bar fires, gas fires, etc. in the near vicinity of the changing unit.
- Do not use the changing unit if any part is broken or missing. Use only spare parts approved by the manufacturer.
- We recommend you use a changing mat with maximum dimension of 80cm x 46cm, placing the mat evenly inside the changing unit.
- The changing surface is designed for use from birth until 12 months, max weight 11kg.
- All assembly fittings should be tightened properly and care should be taken to ensure that no screws are loose, as a child could trap parts of the body, or clothing (e.g. ribbons, drawstrings, necklaces) this could lead to strangulation.
- Regularly check that all fittings and components of the changing unit are fully tightened and in working order.
- Wood is a natural material, the colour will darken with age.
- During assembly children should be kept away from the product due to possible risk of injury.

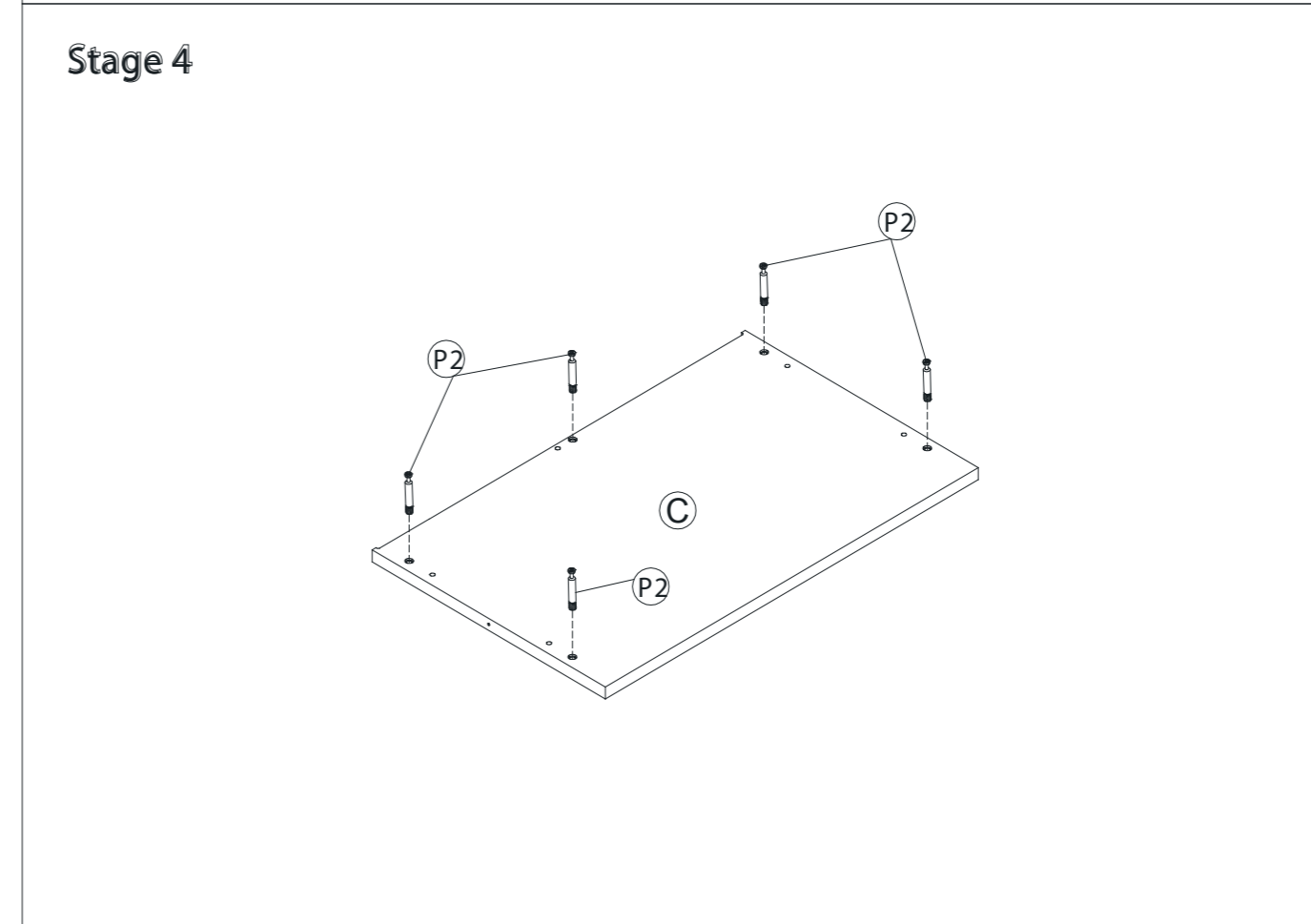
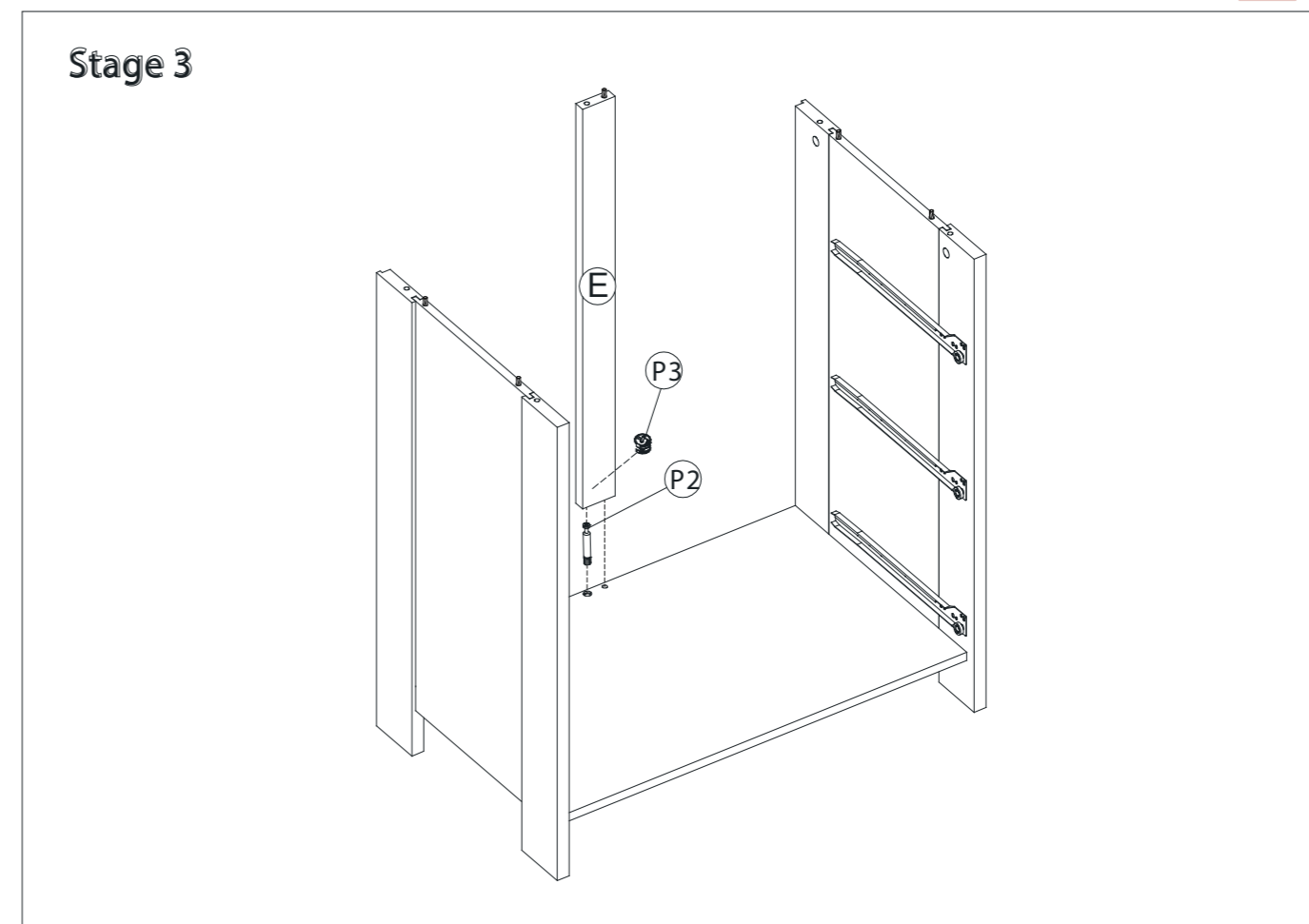
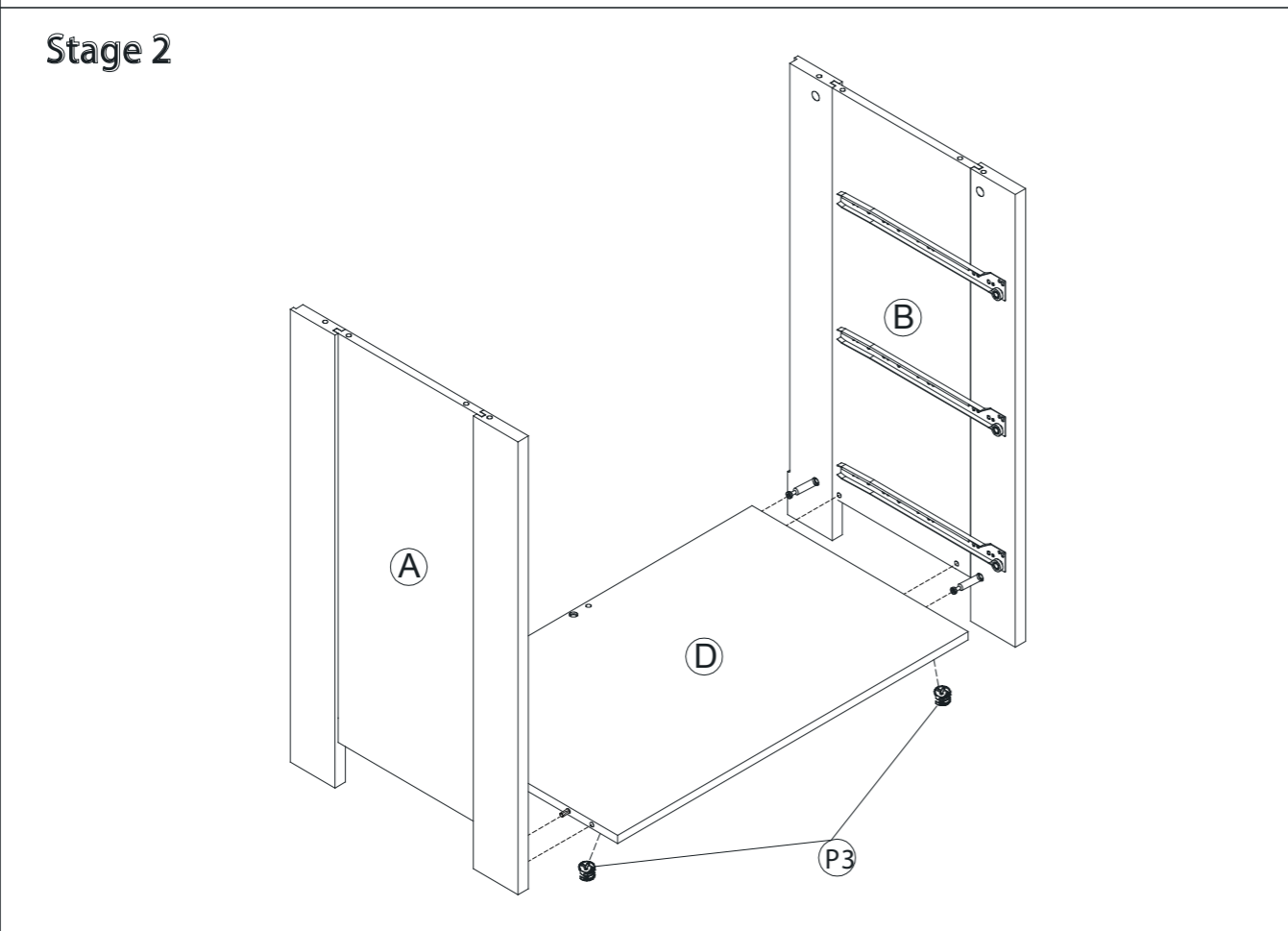
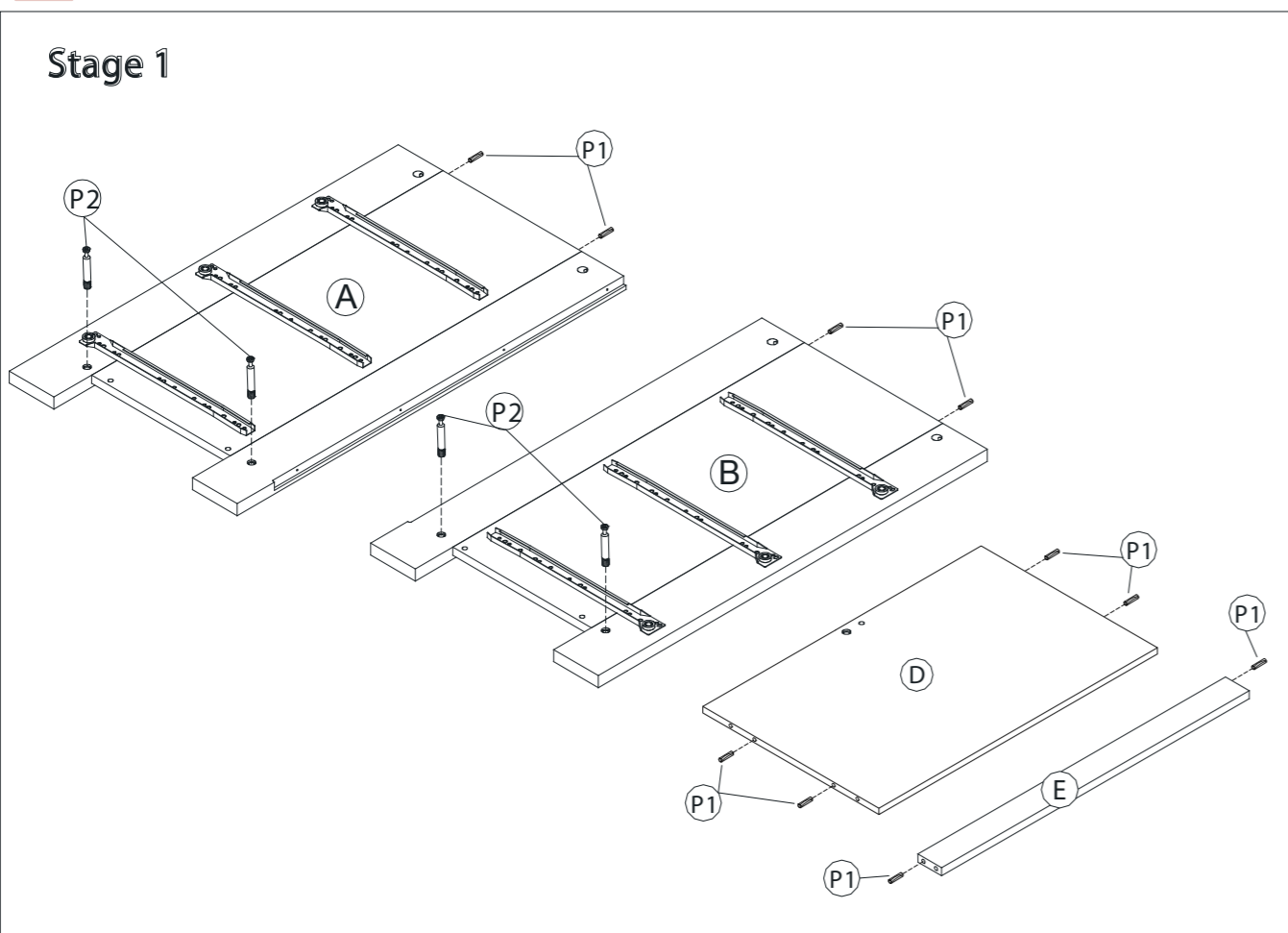
ROUTINE CARE & MAINTENANCE

- For cleaning, use only a mild detergent and warm water.
- DO NOT USE BLEACH.
- DO NOT USE any abrasive substances.
- Take care when handling or moving furniture, careless handling can damage wooden furniture.

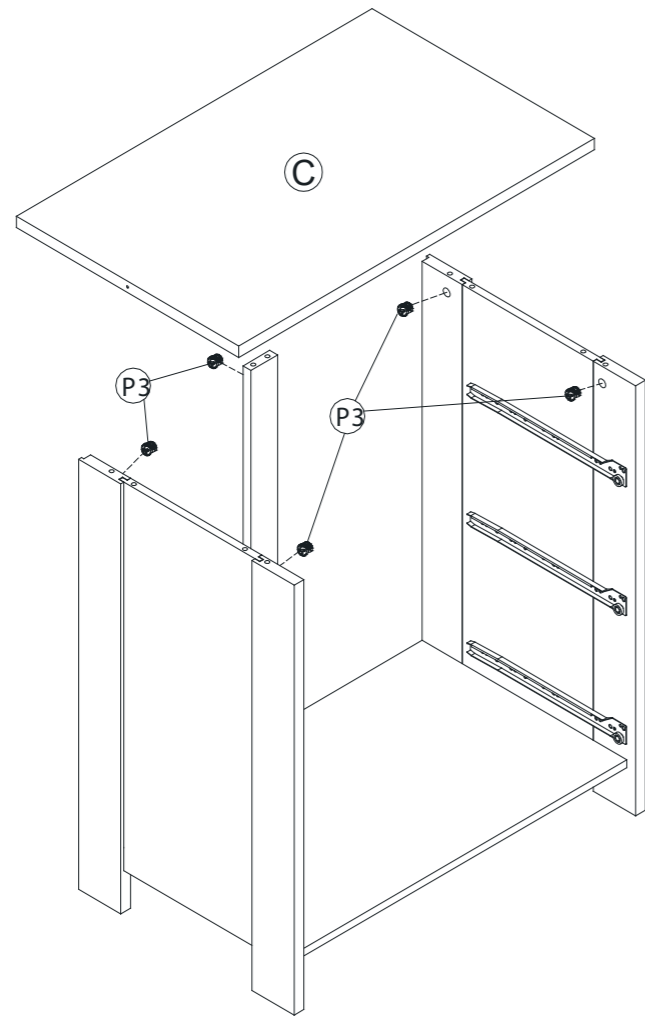
Due to constant updating and improvements, some components may occasionally differ slightly from the images shown in these instructions. We reserve the rights to change the specifications of any products without prior notice. If you need any assistance please contact your Obaby retailer from whom you purchased your product, who will take appropriate action.

Parts List

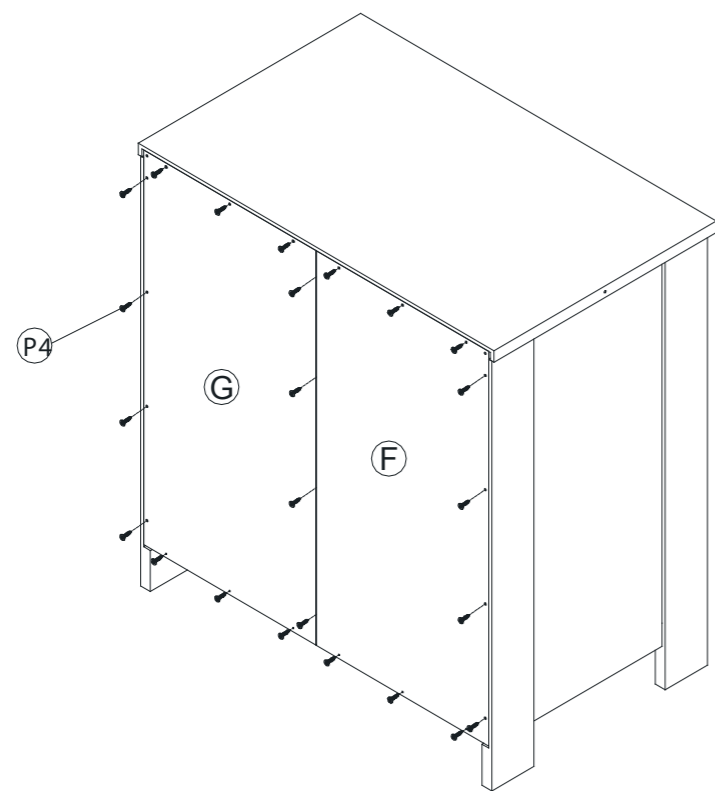




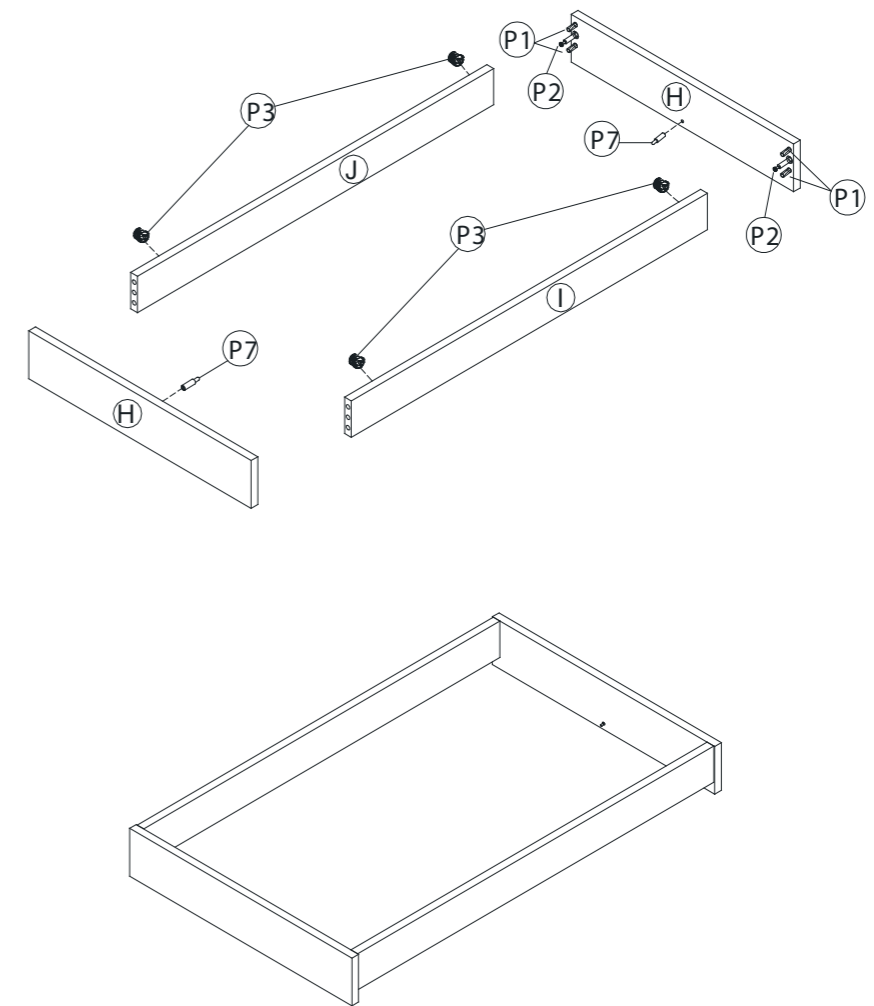
Stage 5



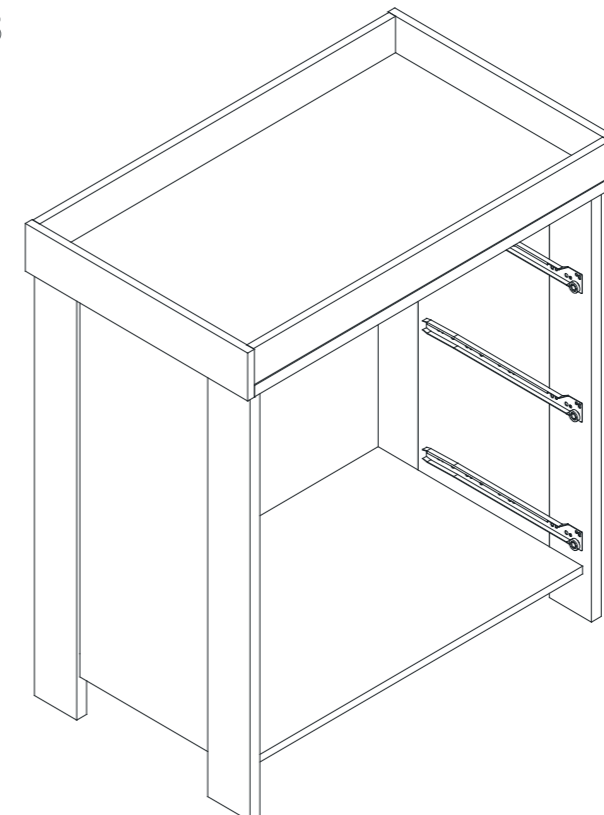
Stage 6



Stage 7



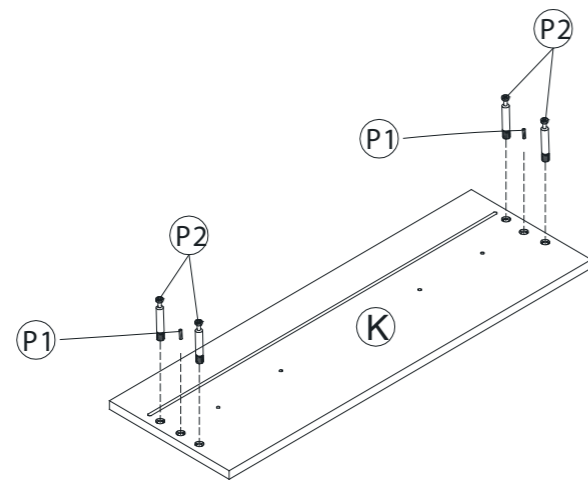
Stage 8



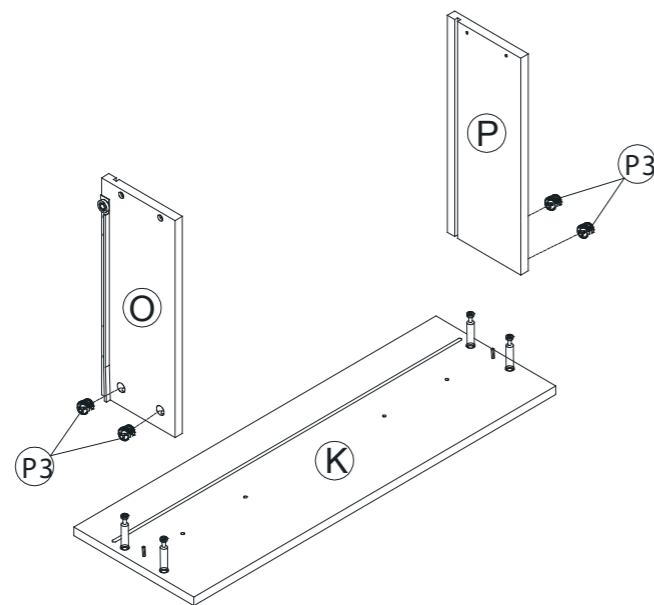
Ensure the changing unit top is securely located on the chest. Check that the P7 pins are "clicked" into the holes on part C. If this is located correctly you will not be able to lift off the changing unit top.

To remove the changing unit top remove parts P3 (see stage 7 above) to disassemble the changing unit top.

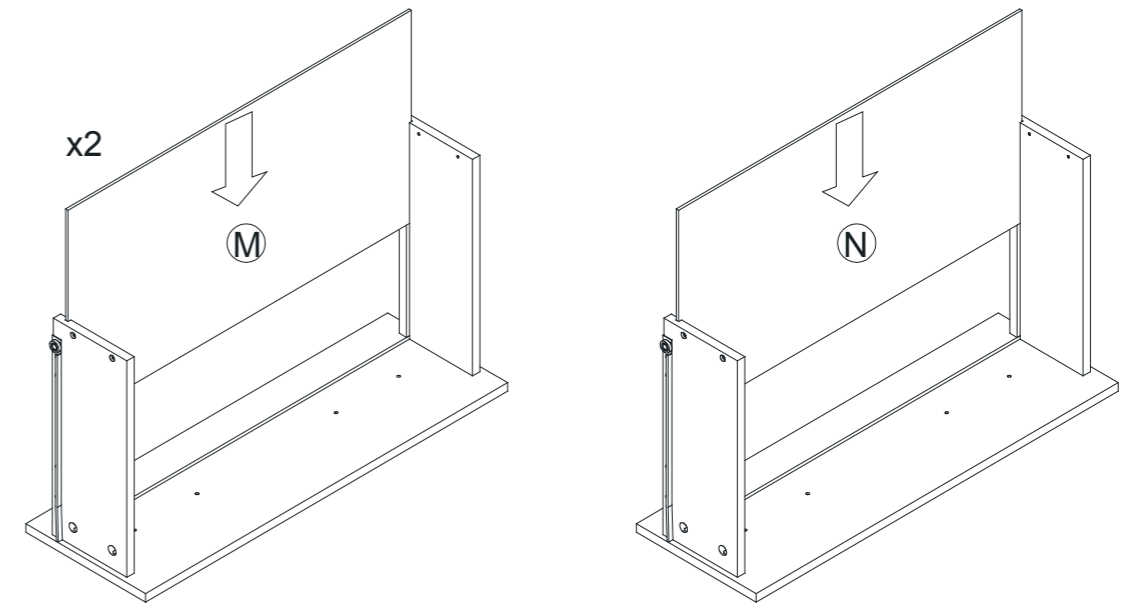
Stage 9



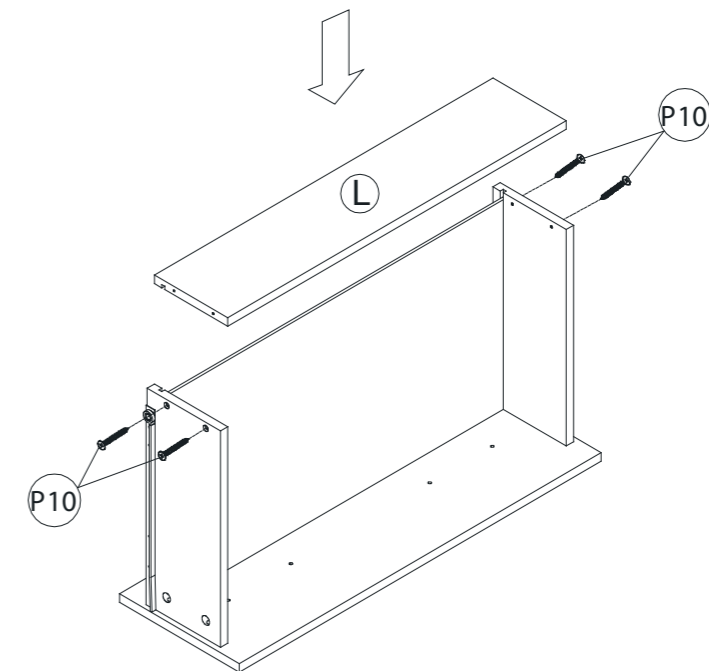
Stage 10



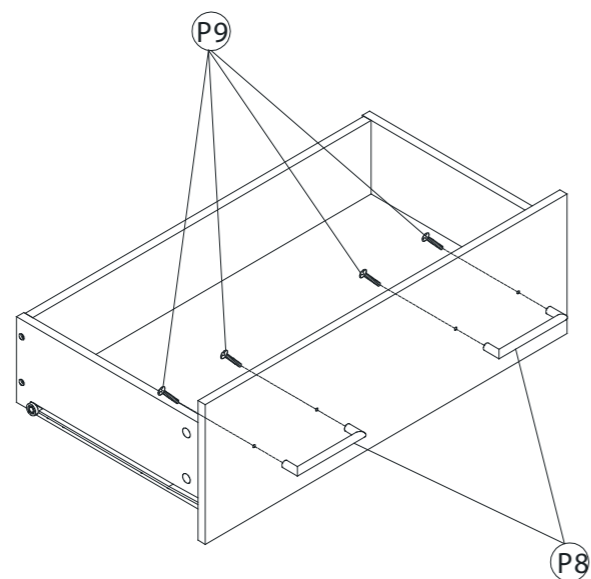
Stage 11



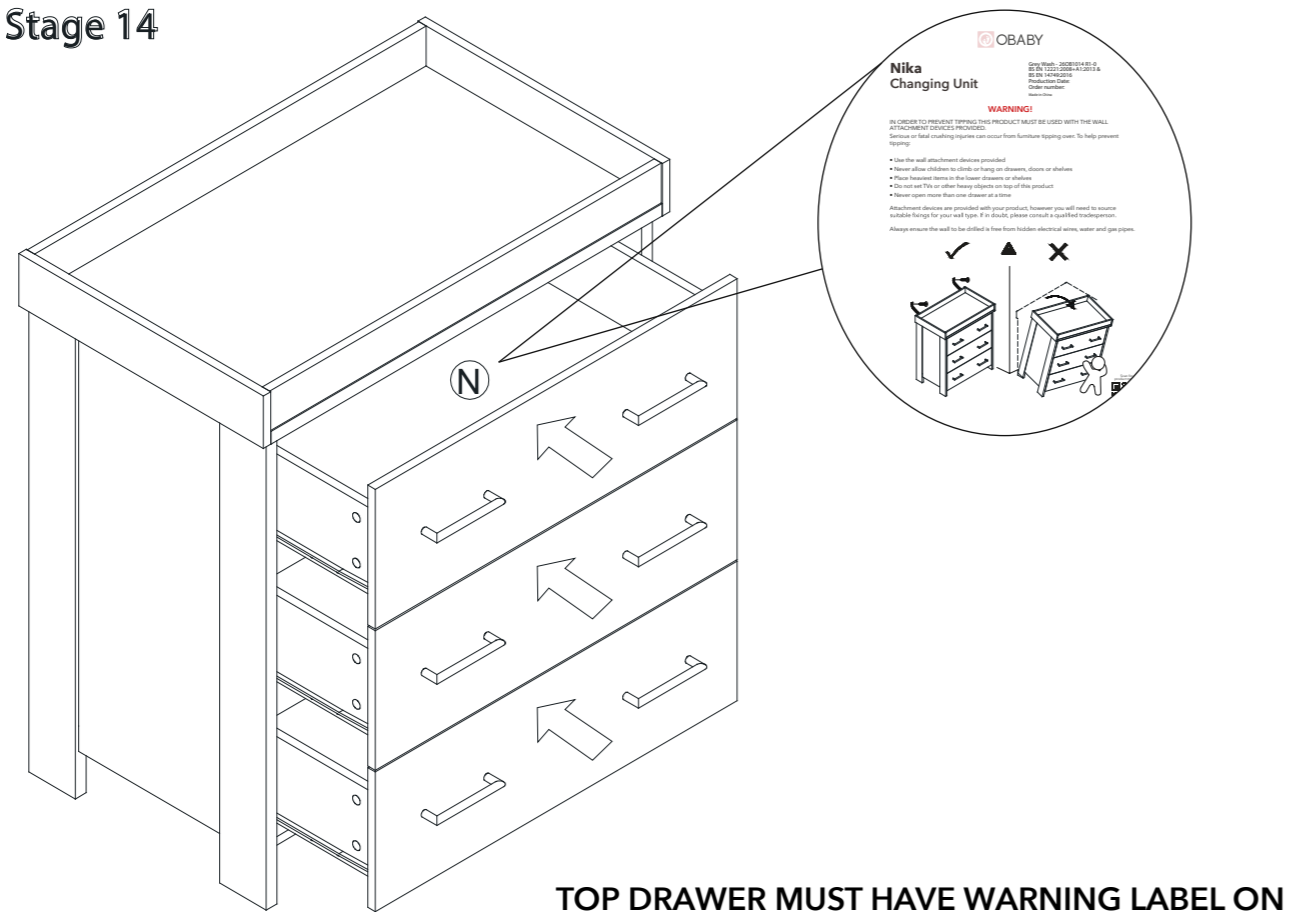
Stage 12



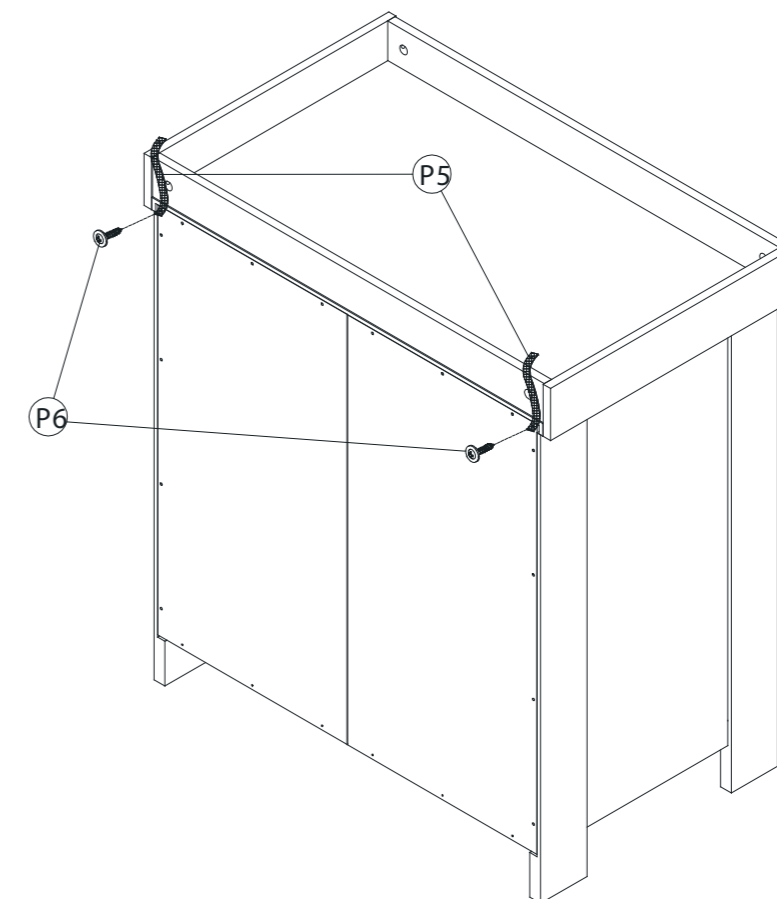
Stage 13



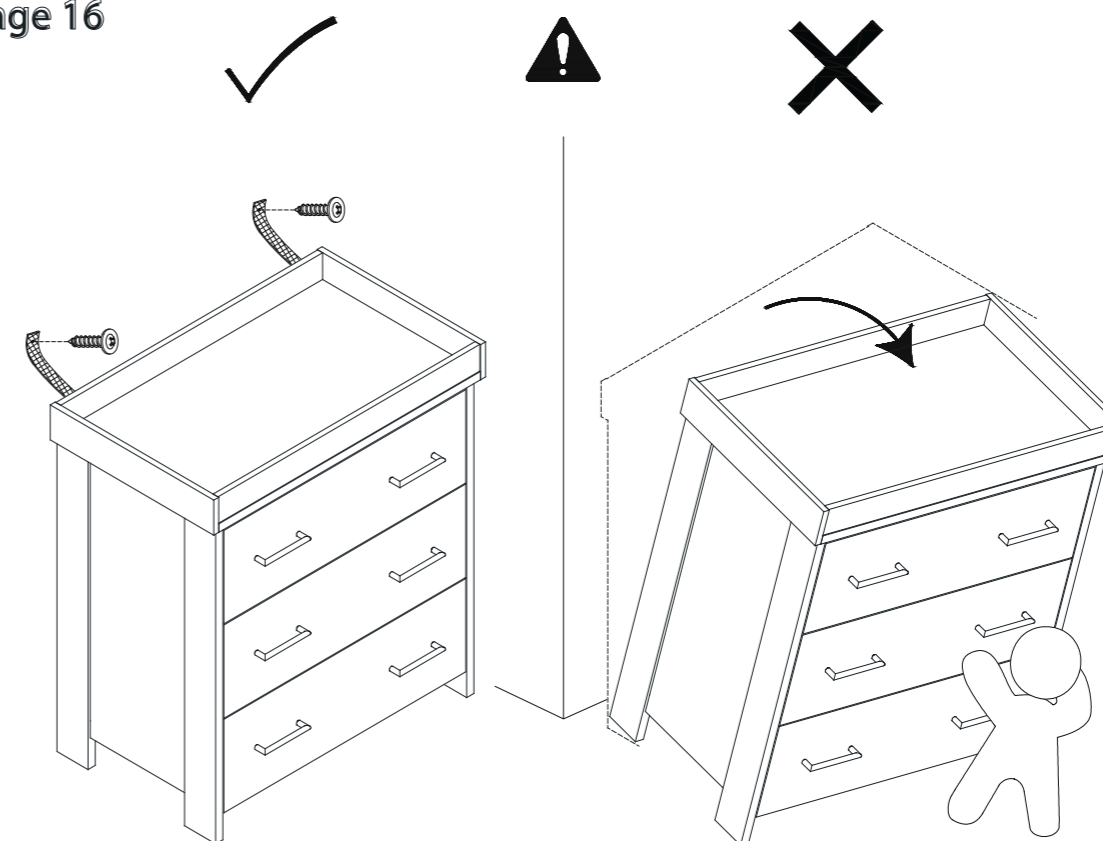
Stage 14



Stage 15



Stage 16



Safety Warnings

WARNING!

IN ORDER TO PREVENT TIPPING THIS PRODUCT MUST BE USED WITH THE WALL ATTACHMENT DEVICES PROVIDED.

Serious or fatal crushing injuries can occur from furniture tipping over. To help prevent tipping:

- Use the wall attachment devices provided
- Never allow children to climb or hang on drawers, doors or shelves
- Place heaviest items in the lower drawers or shelves
- Do not set TVs or other heavy objects on top of this product
- Never open more than one drawer at a time

Attachment devices are provided with your product, however you will need to source suitable fixings for your wall type. If in doubt, please consult a qualified tradesperson.

Always ensure the wall to be drilled is free from hidden electrical wires, water and gas pipes.

