



IMPORTANT INFORMATION  
PLEASE READ CAREFULLY.  
KEEP THIS MANUAL FOR FURTHER REFERENCE.

## GENERAL GUIDELINES

- Please read the following instruction carefully and use the product accordingly.
- Please keep this manual and hand it over when you transfer the product.

This summary may not include every detail of all variations and considered steps. Please **contact us** when further information and help are needed.

## NOTES

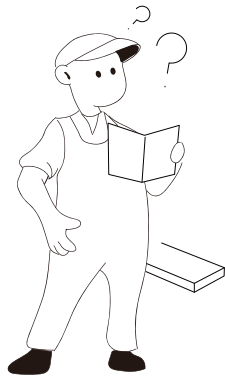
- Please follow the assembly instructions precisely and only use the product as intended.  
If an odor is present when first opening the package, please leave the unwrapped product in a shaded and ventilated area for a few days to air out.
- Prior to assembly, please check the product for defects or missing accessories. If any defects are found or accessories are missing, do not use product as damage or injury may occur;
- Please **contact us** for assistance and replacement.
- It is suggested you regularly check the products bolts and connections to ensure safe use.
- Assemble the item on a soft flat and clean surface to avoid scratches and damage. It is recommended that two people assemble this product.

## WARNINGS

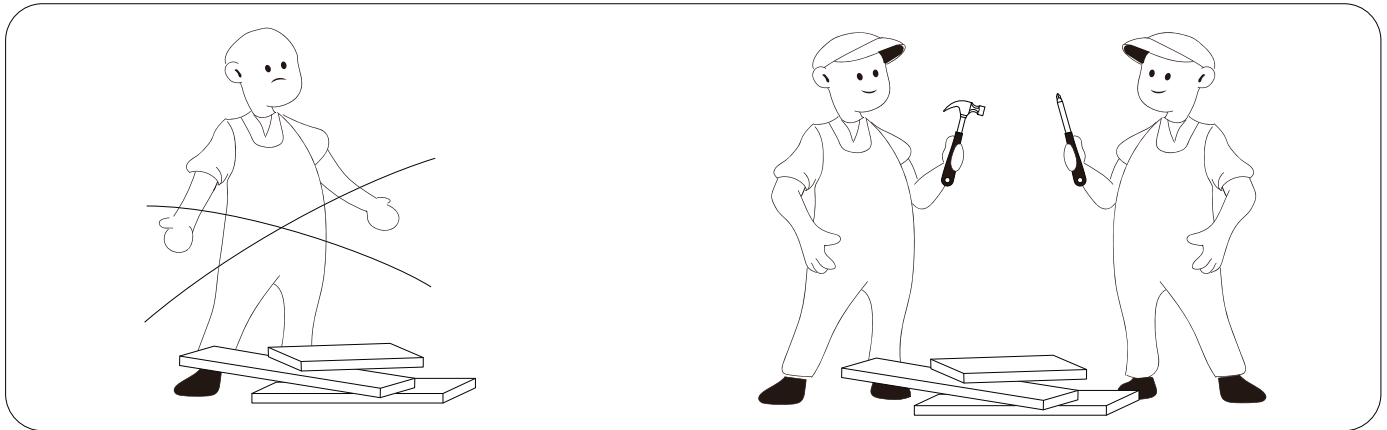
- During assembly, keep parts and packaging materials away from children and pets as there could cause injury and are a potential choking hazard.
- Avoid sharp objects or corrosive chemicals to prevent damage to the product.  
Please open the item slowly and cautiously to avoid pinching your hands by metal joints, especially children.

## ANTI-TIP WARNING

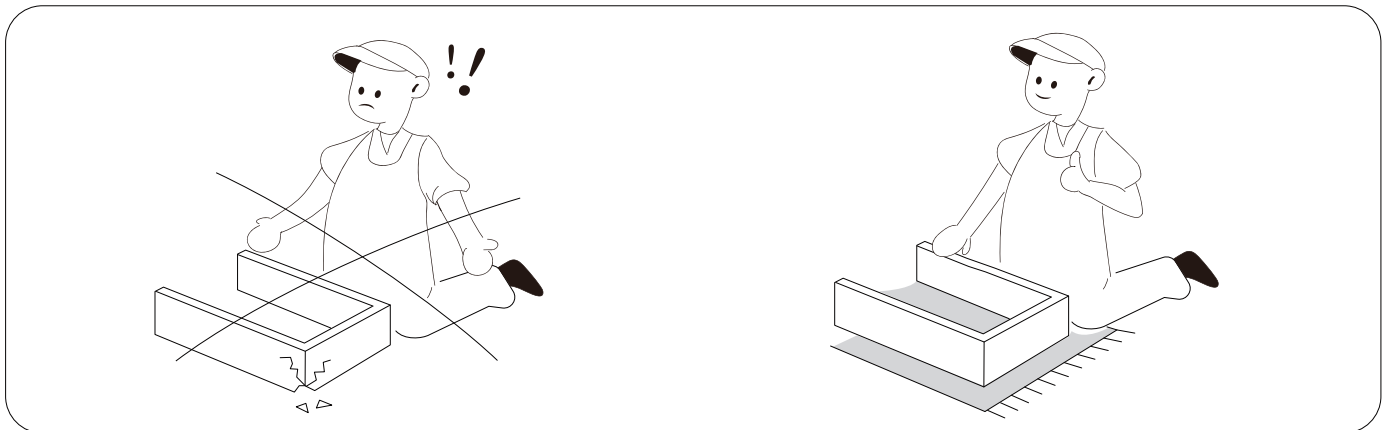
- Serious or fatal crushing injuries can occur from furniture tip-over. To prevent this furniture from tipping over it must be permanently fixed to the wall.  
Since different wall materials require different types of fixing device, for advice on suitable fixing systems, contact your local specialized dealer.



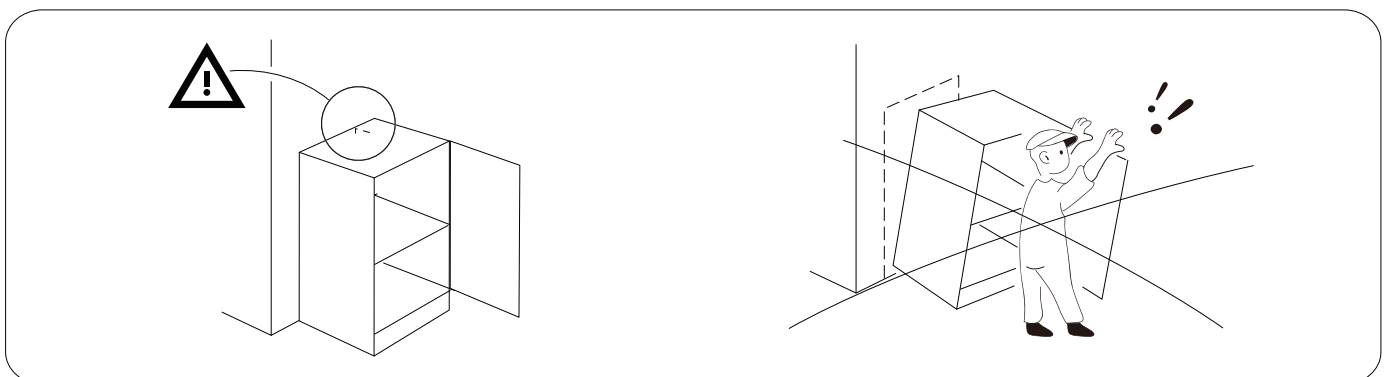
- Please check all parts and accessories according to the parts list before assembling, make sure all contents are sufficient and in good condition.
- If you have any further questions, please feel free to contact us with purchase platform message immediately to get replacement parts. We will reply ASAP.
- Enjoy your new purchase!



**MORE THAN TWO PERSONEEL REQUIRED**

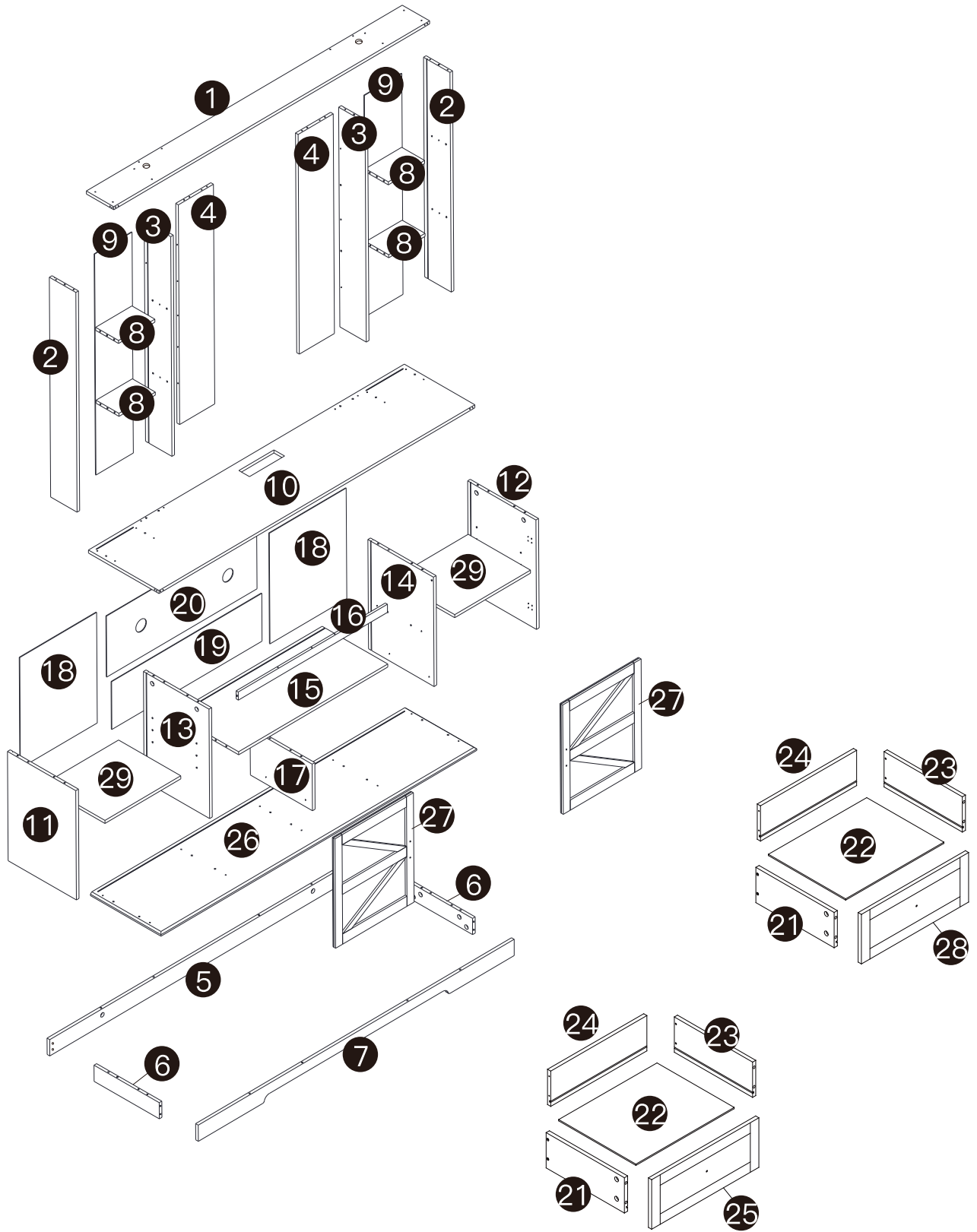


**CLEAN AND FLAT SURFACE RECOMMENDED**



**CAUTION TIPPING-OVER**

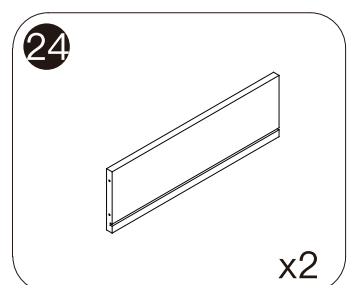
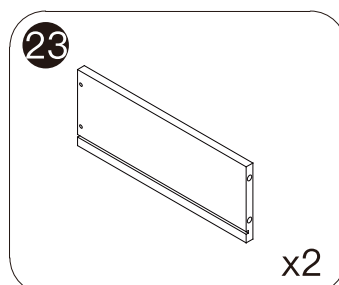
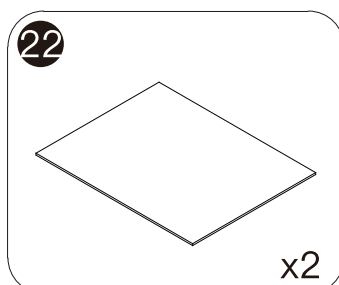
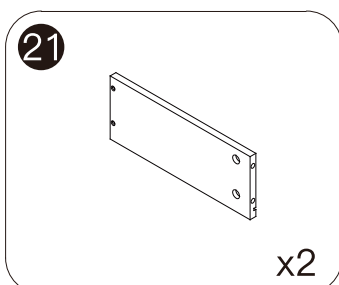
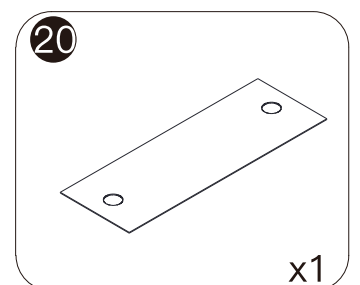
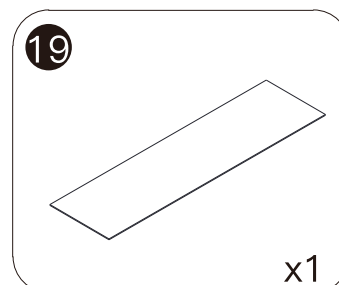
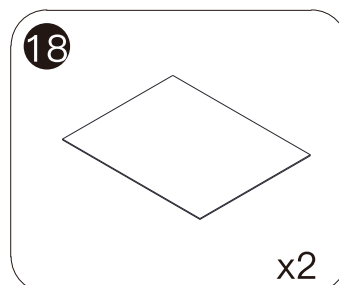
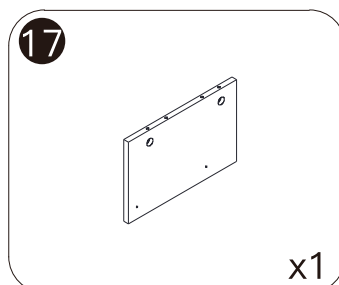
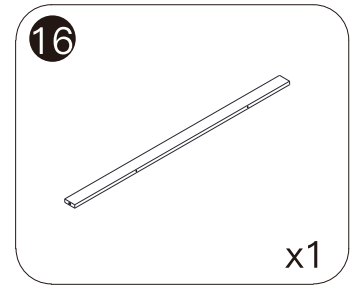
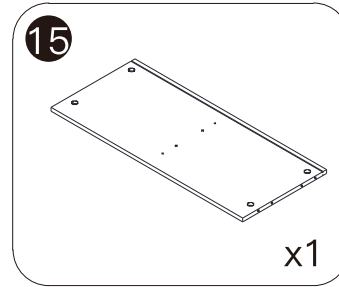
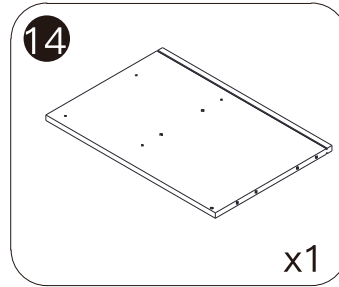
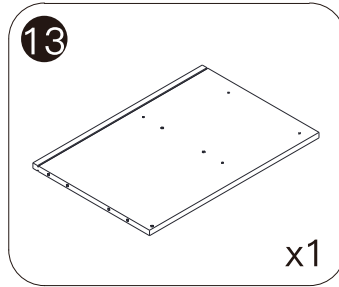
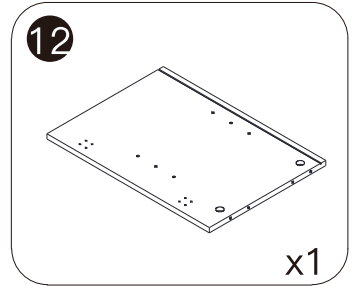
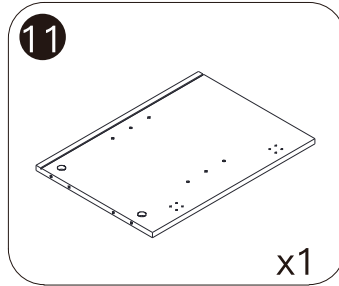
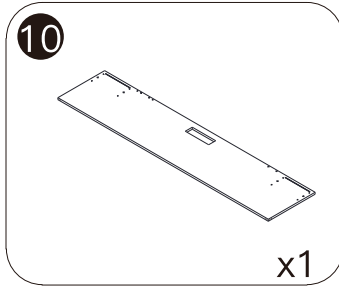
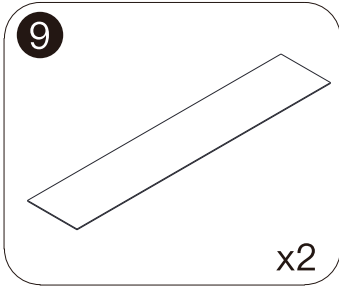
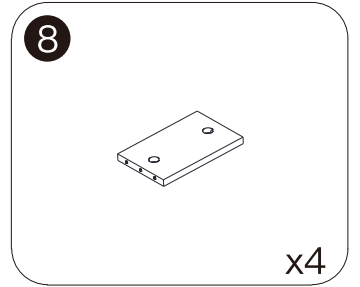
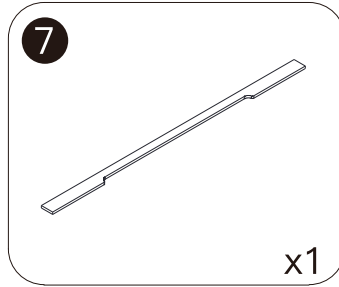
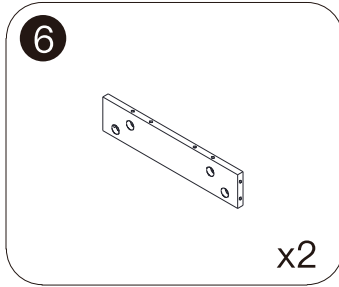
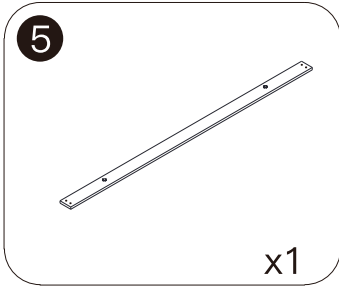
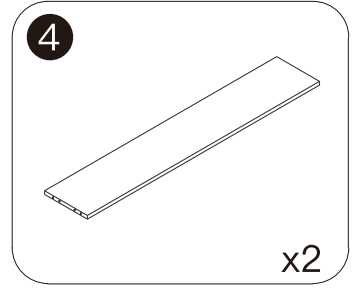
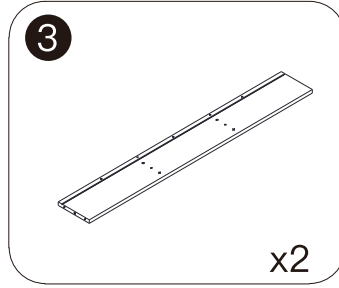
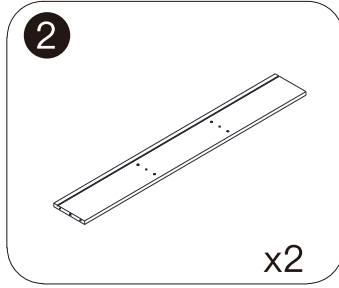
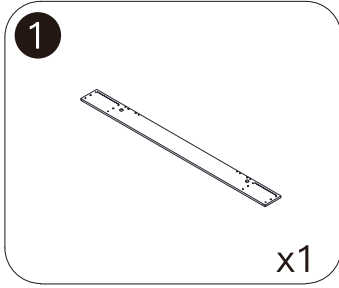
# EXPLODED DIAGRAM

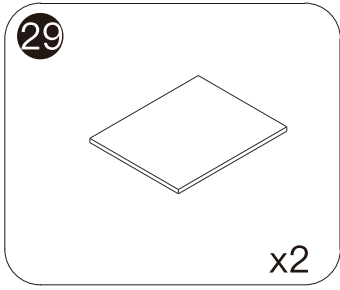
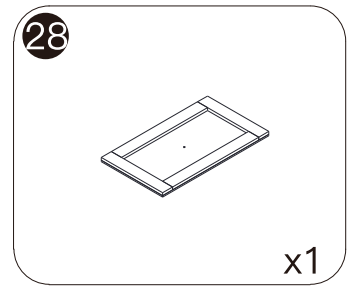
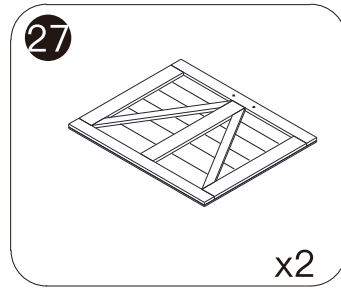
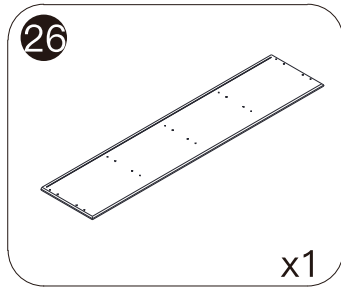
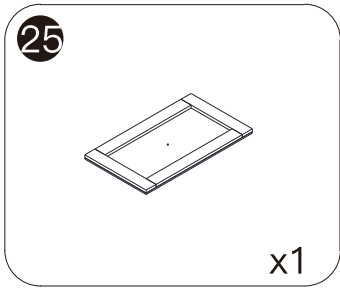


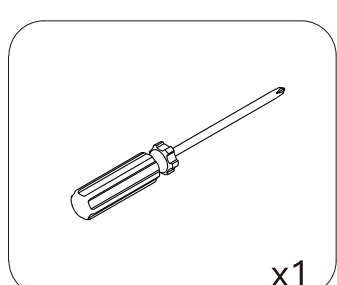
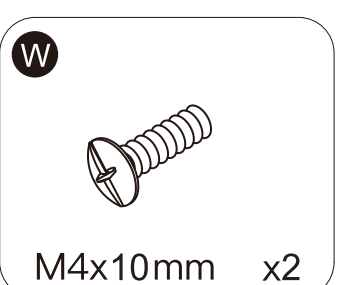
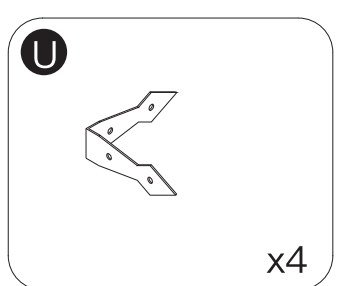
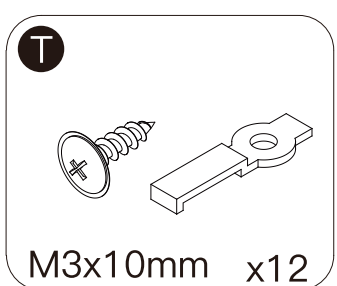
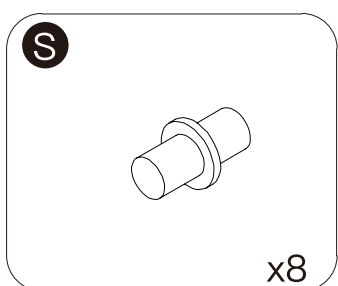
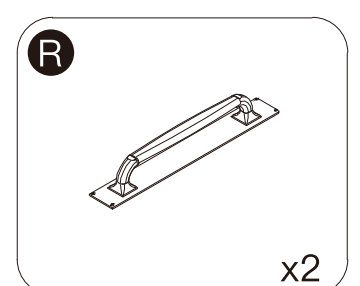
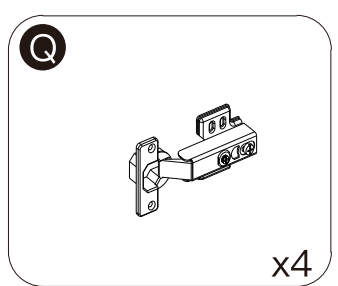
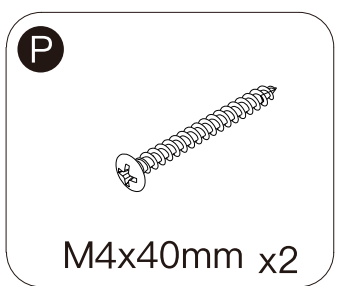
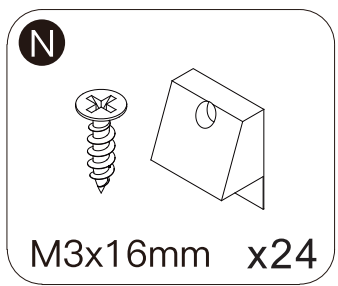
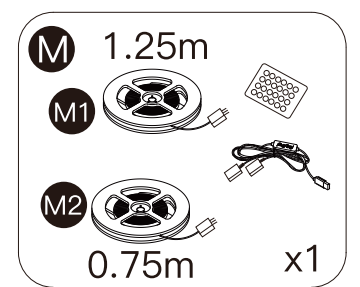
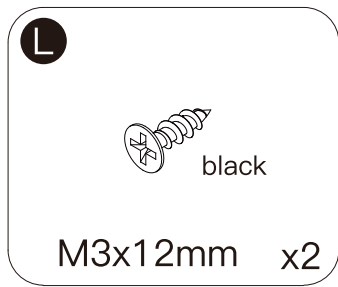
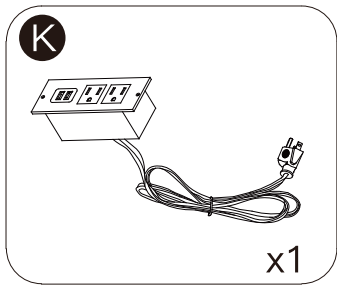
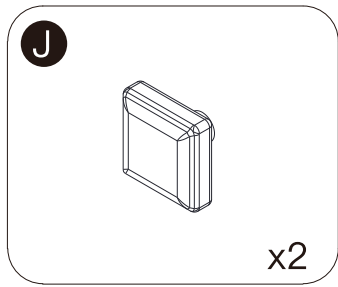
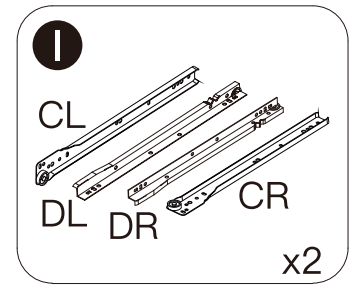
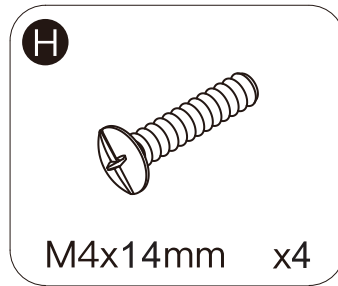
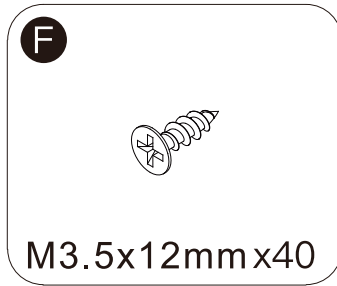
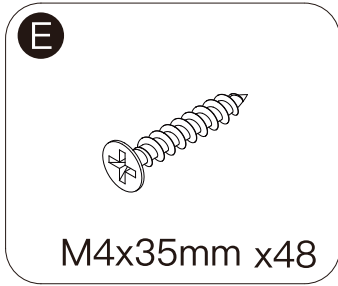
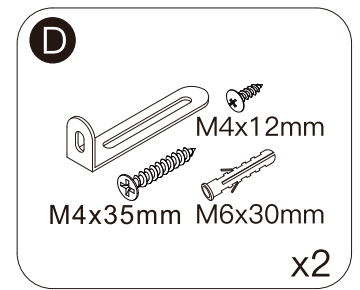
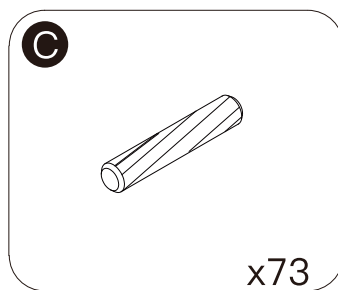
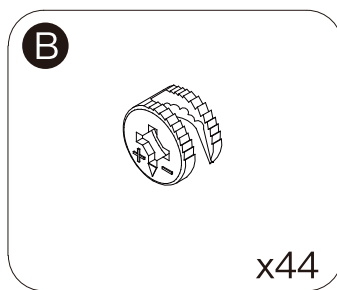
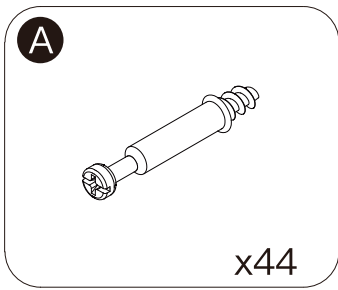
Please check all parts and accessories according to the parts list before assembling, make sure all contents are sufficient and in good condition.

If there is any parts missing or defective, please contact us immediately with purchase platform message to get replacement parts.

## PARTS:





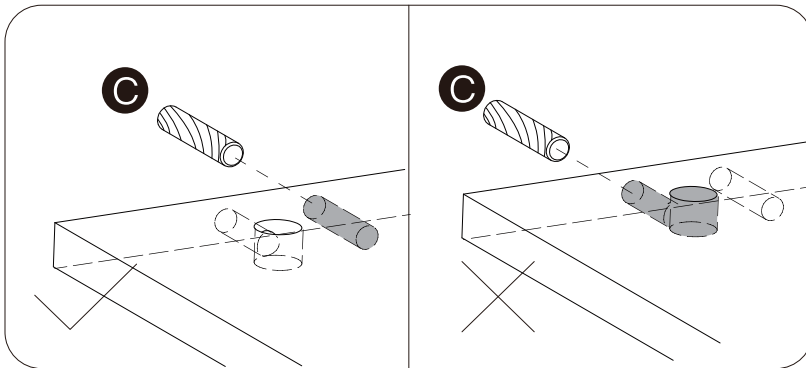


# HOW TO INSTALL

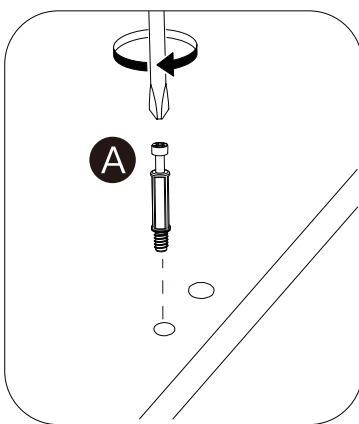
## NOTICE:

1. Use electric drill for easier installation experience.
2. Please drive the screws in pre-drilled holes.
3. Please strictly follow the instruction and diagram in every step.
4. Make sure every part is on the right position, otherwise it may cause unnecessary problem.
5. Select the proper component via the label on every part while assembling.

## REMARK:



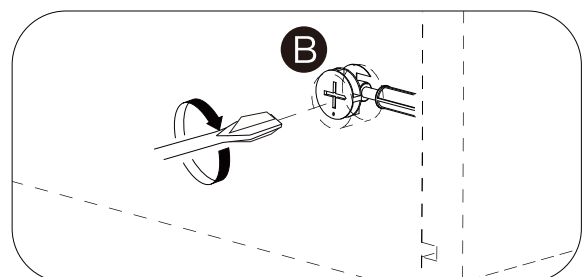
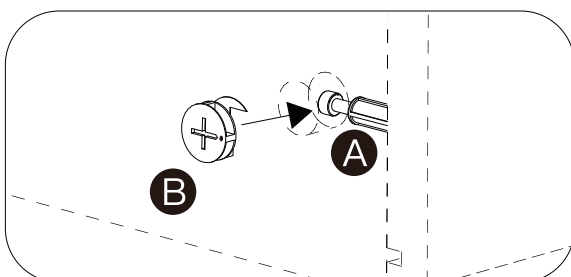
Avoid inserting part **C** into wrong holes.



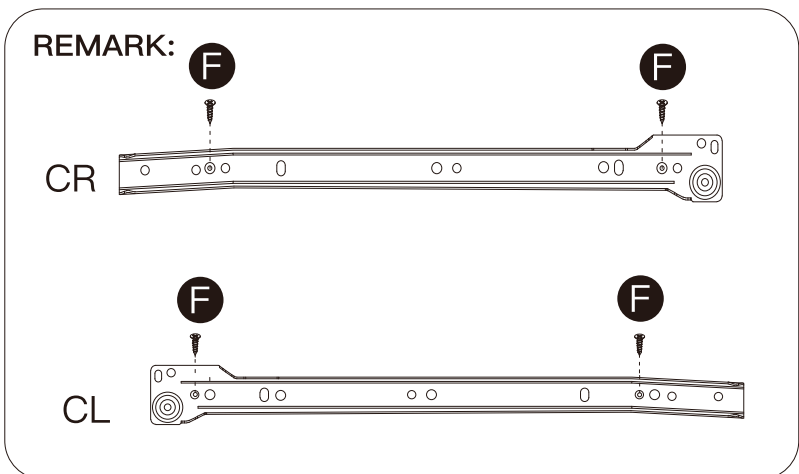
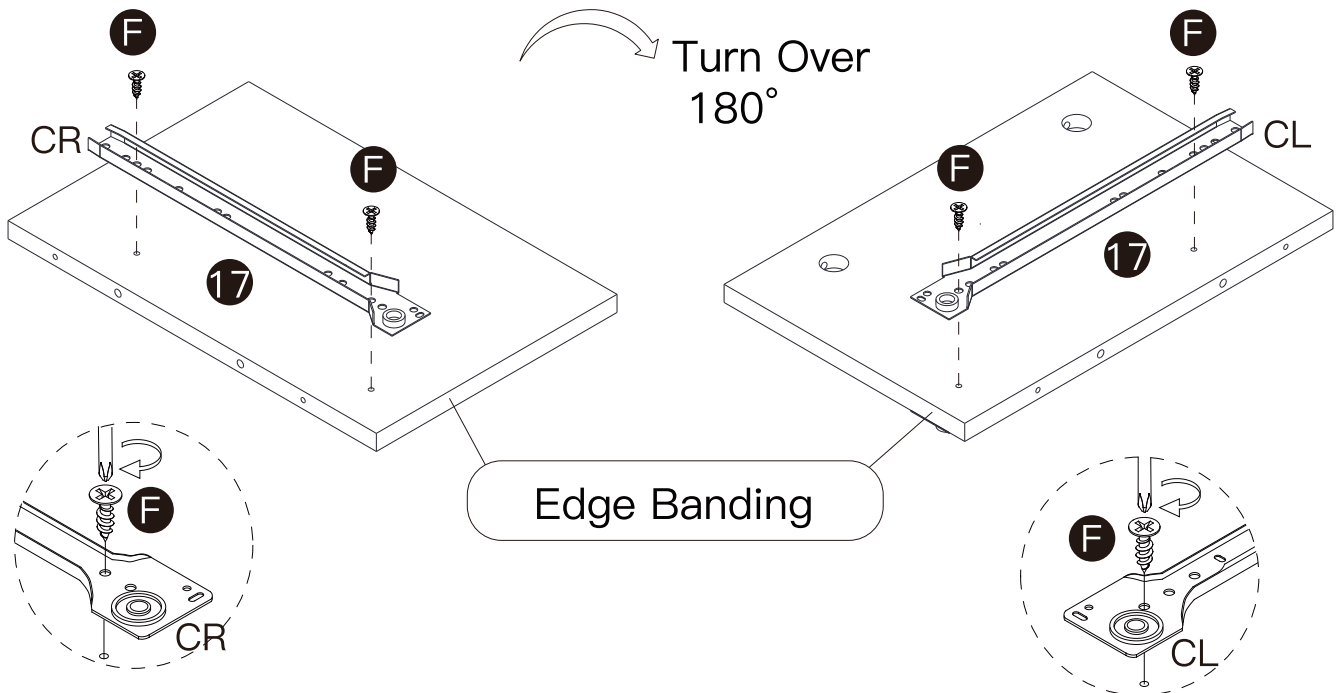
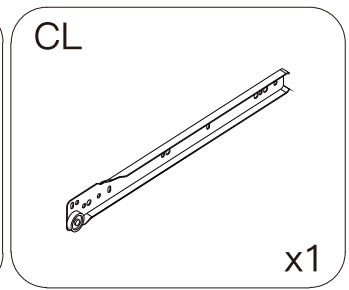
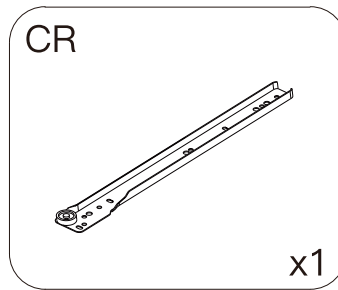
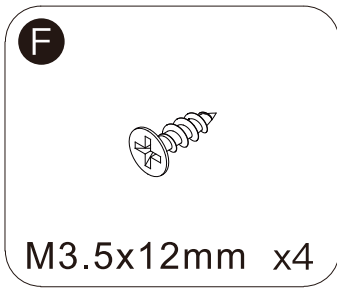
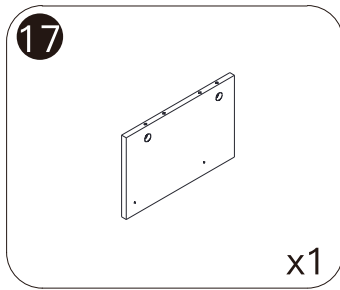
Part **A** must be installed into the holes with rubber nuts which are smaller than others.

Make sure that part A is facing the direction of part B opening.

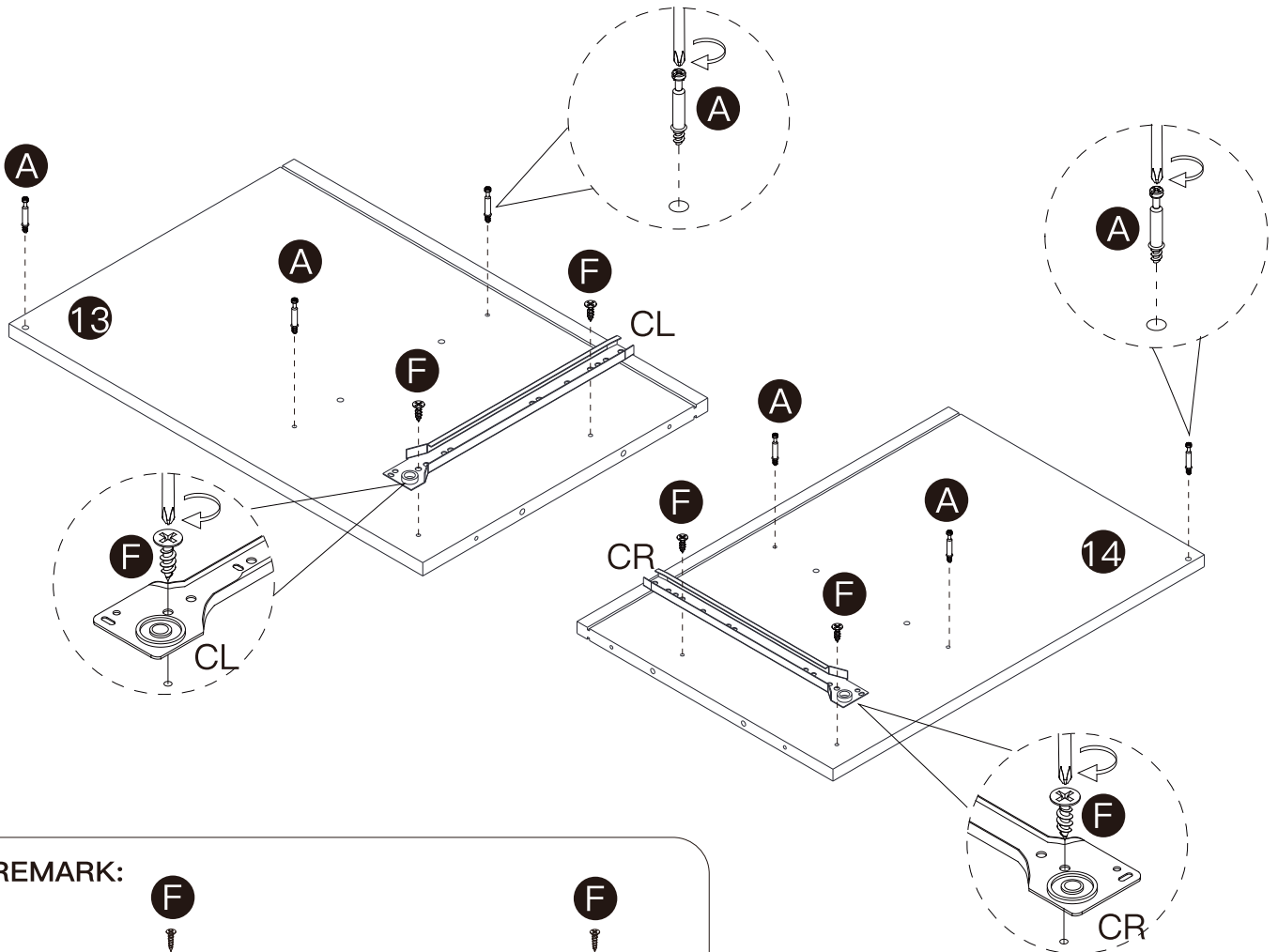
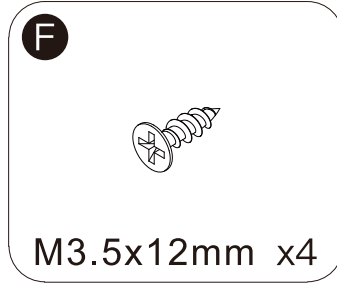
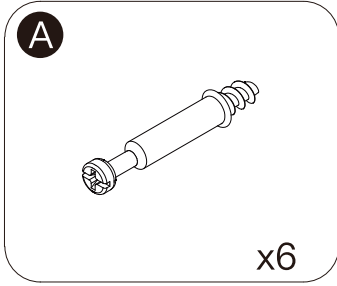
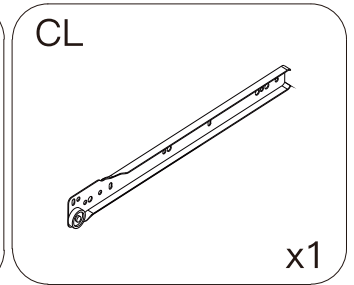
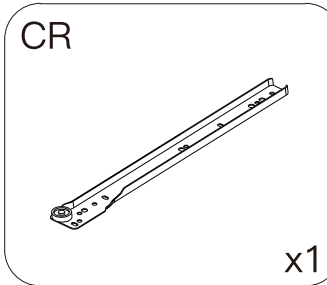
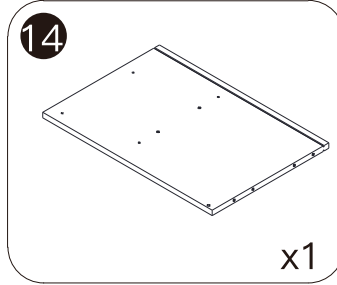
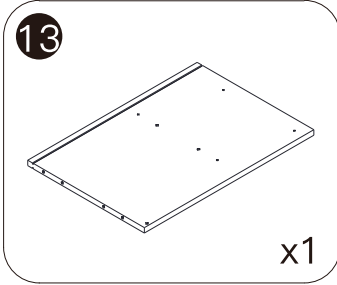
When locking part **B**, please make sure part **A** is fully inserted.



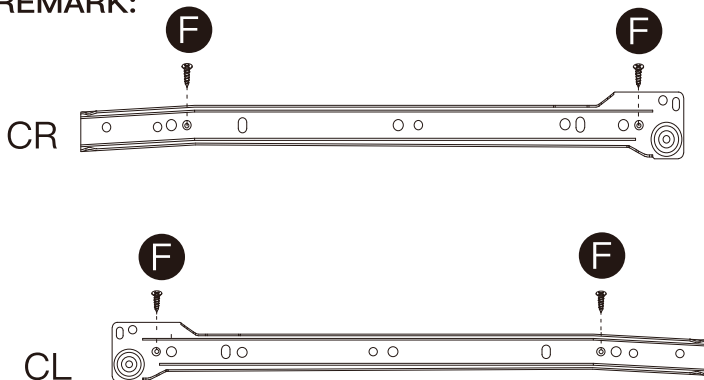
# STEP 1



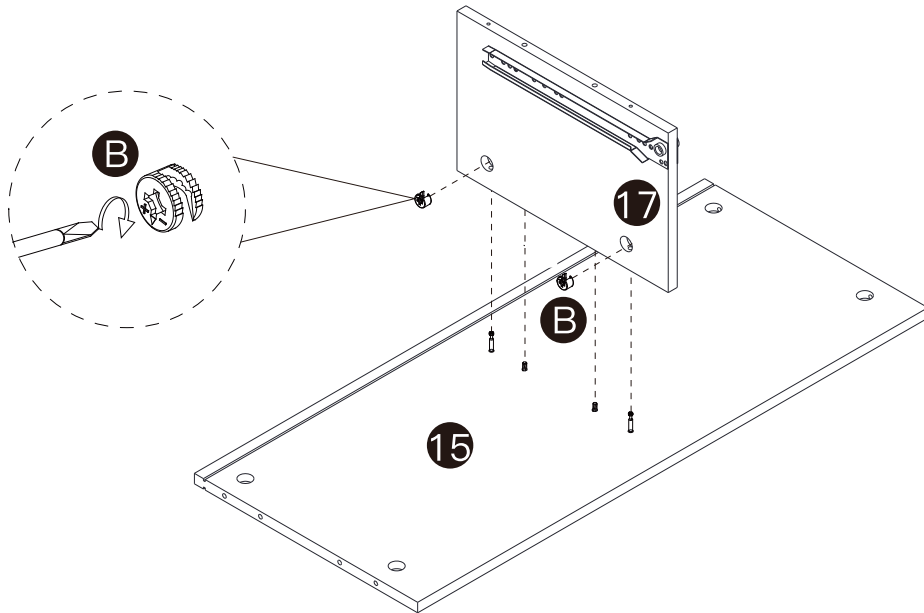
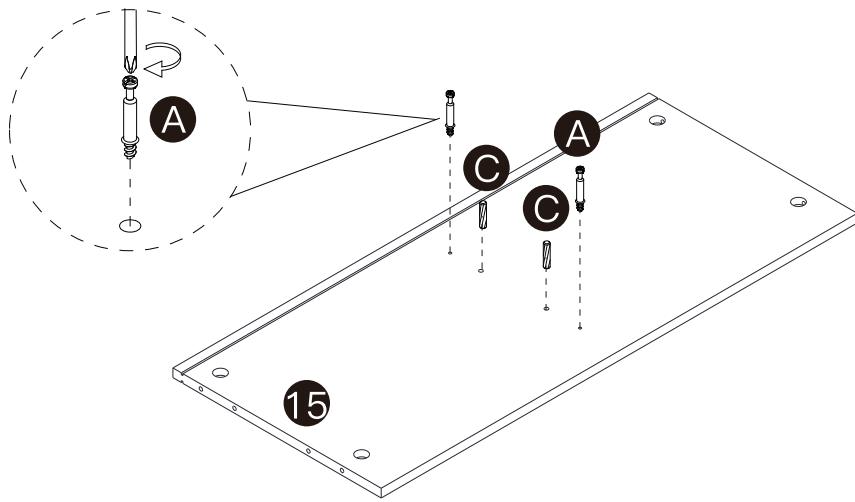
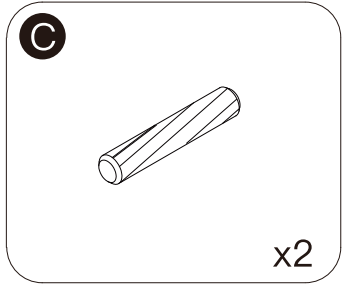
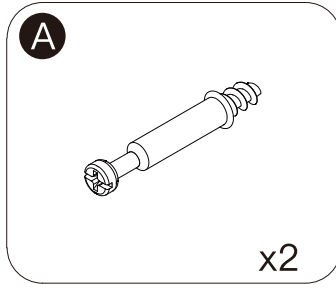
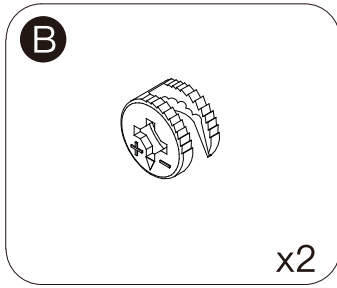
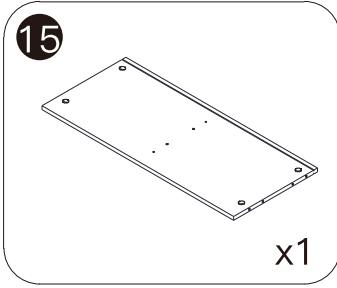
# STEP 2



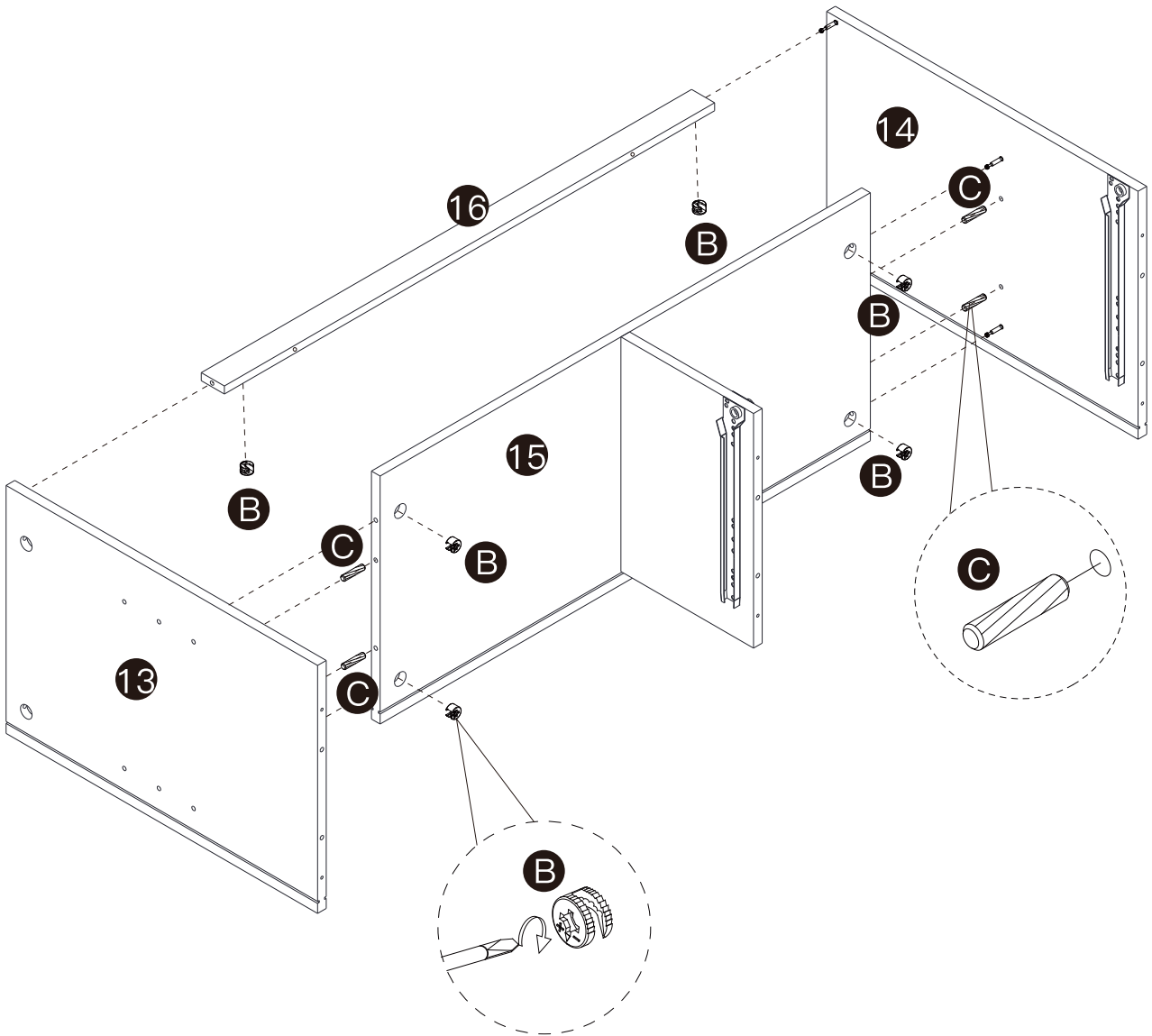
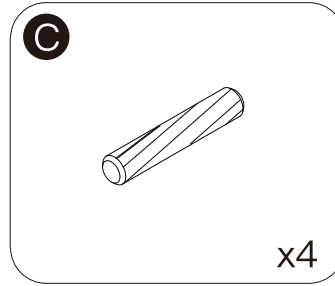
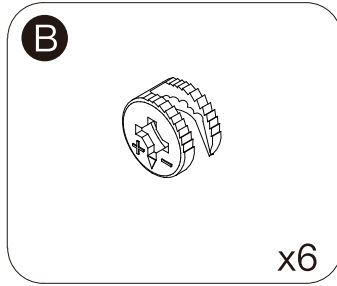
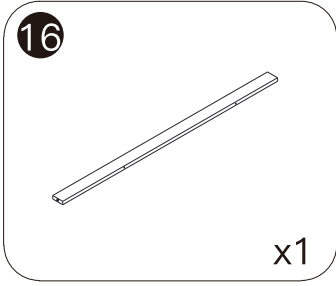
REMARK:



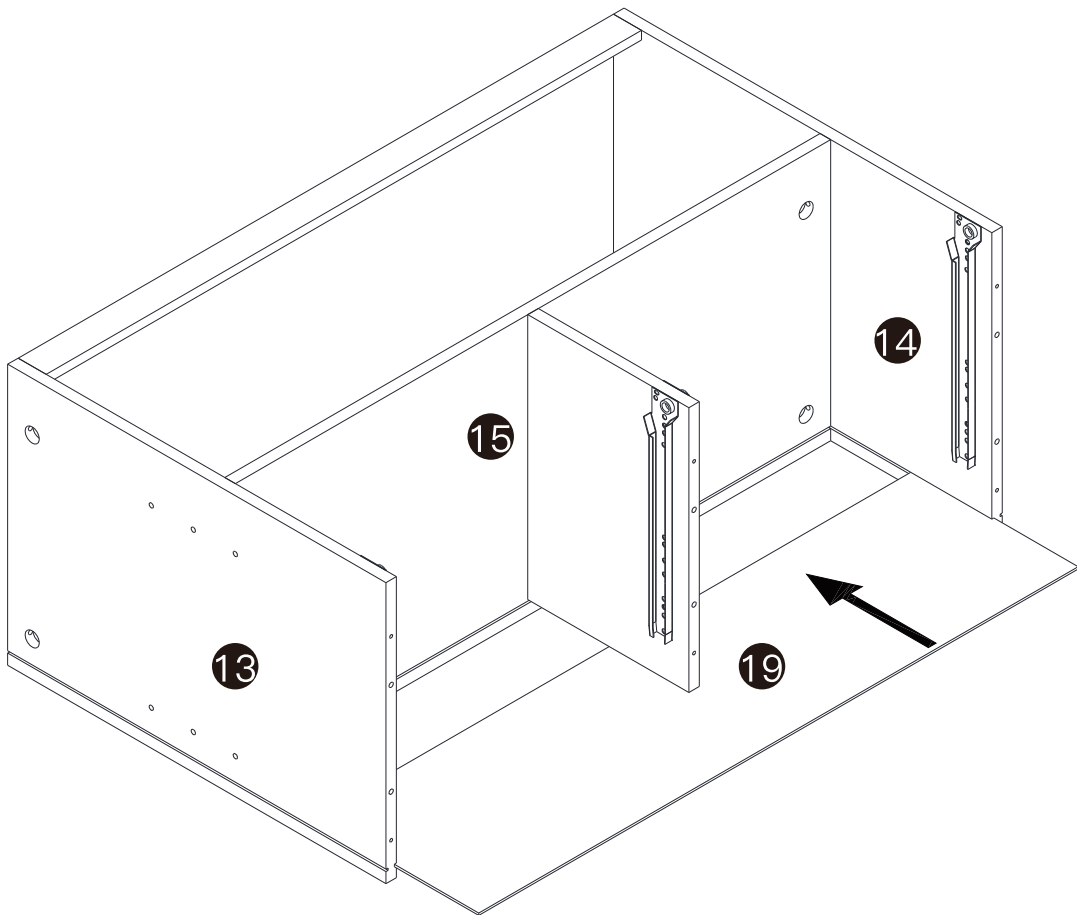
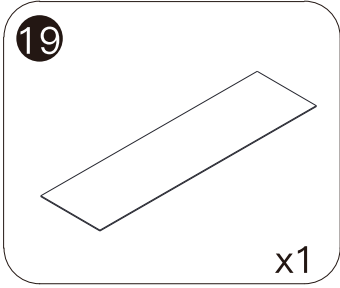
# STEP 3



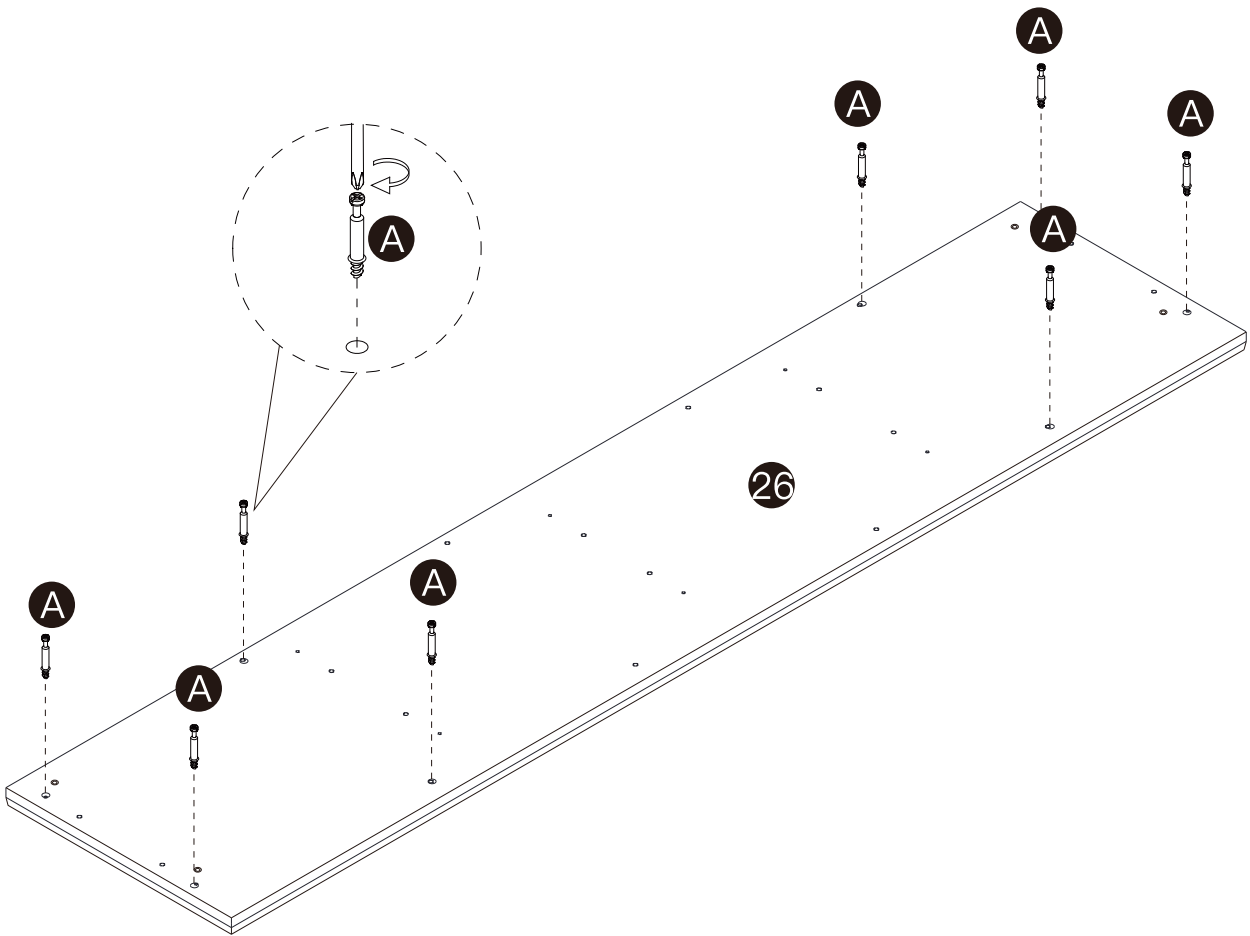
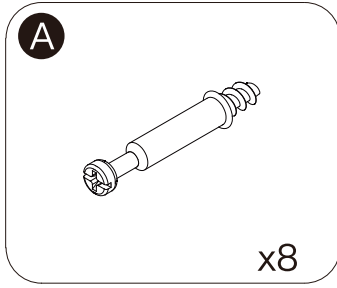
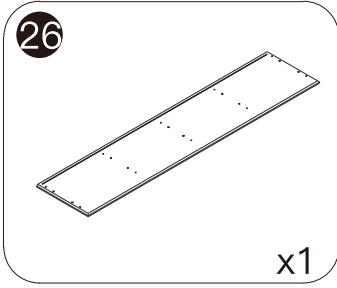
# STEP 4



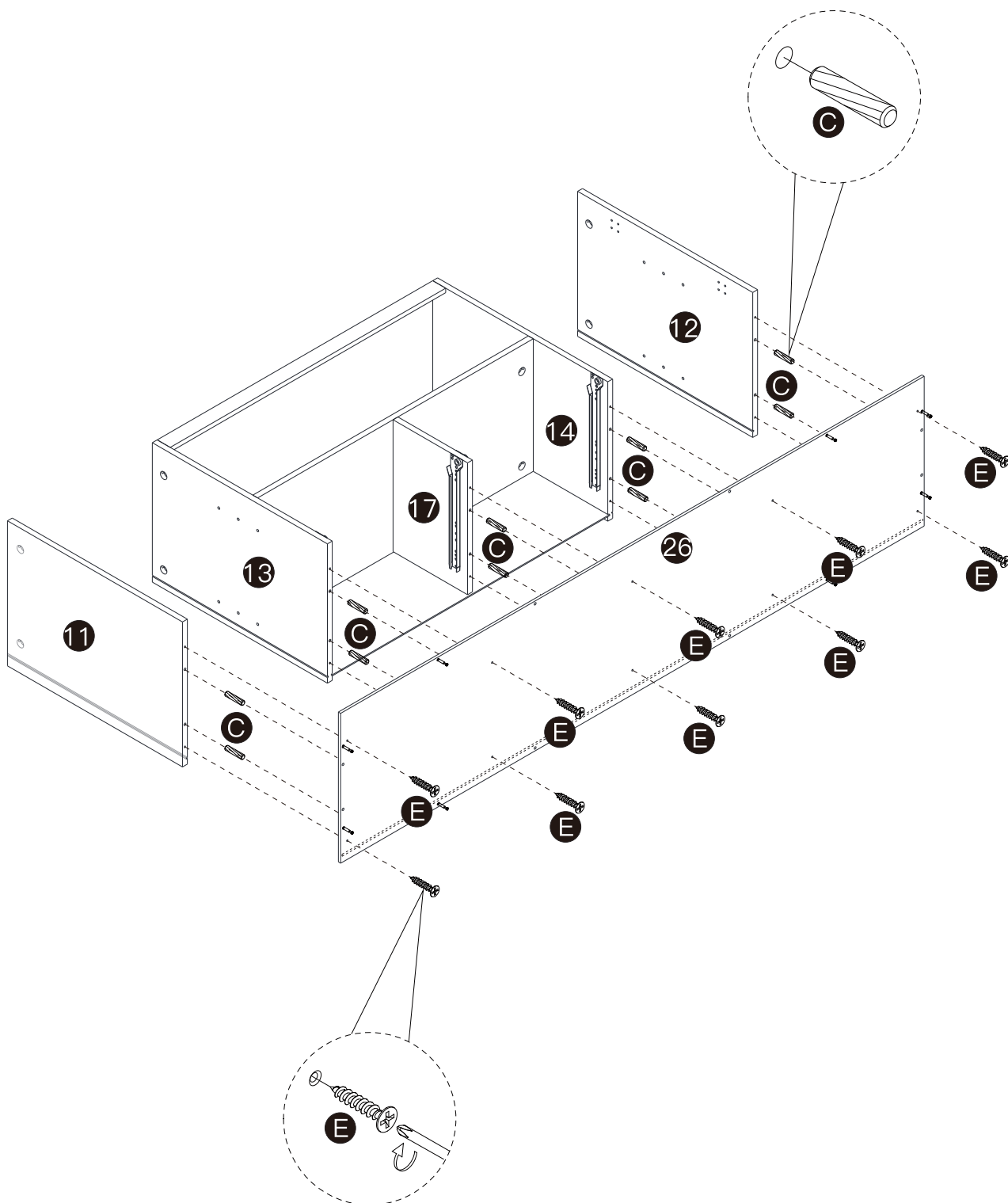
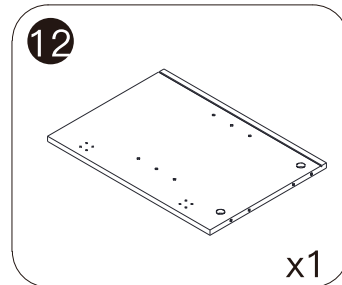
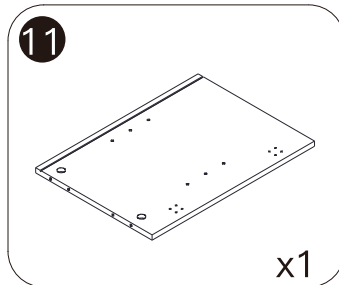
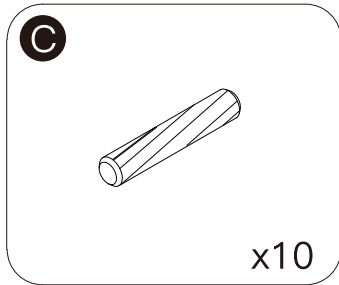
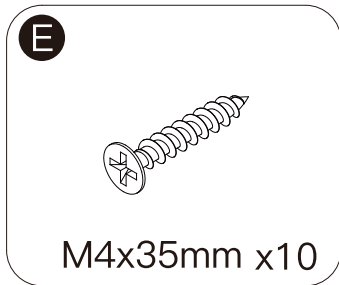
# STEP 5



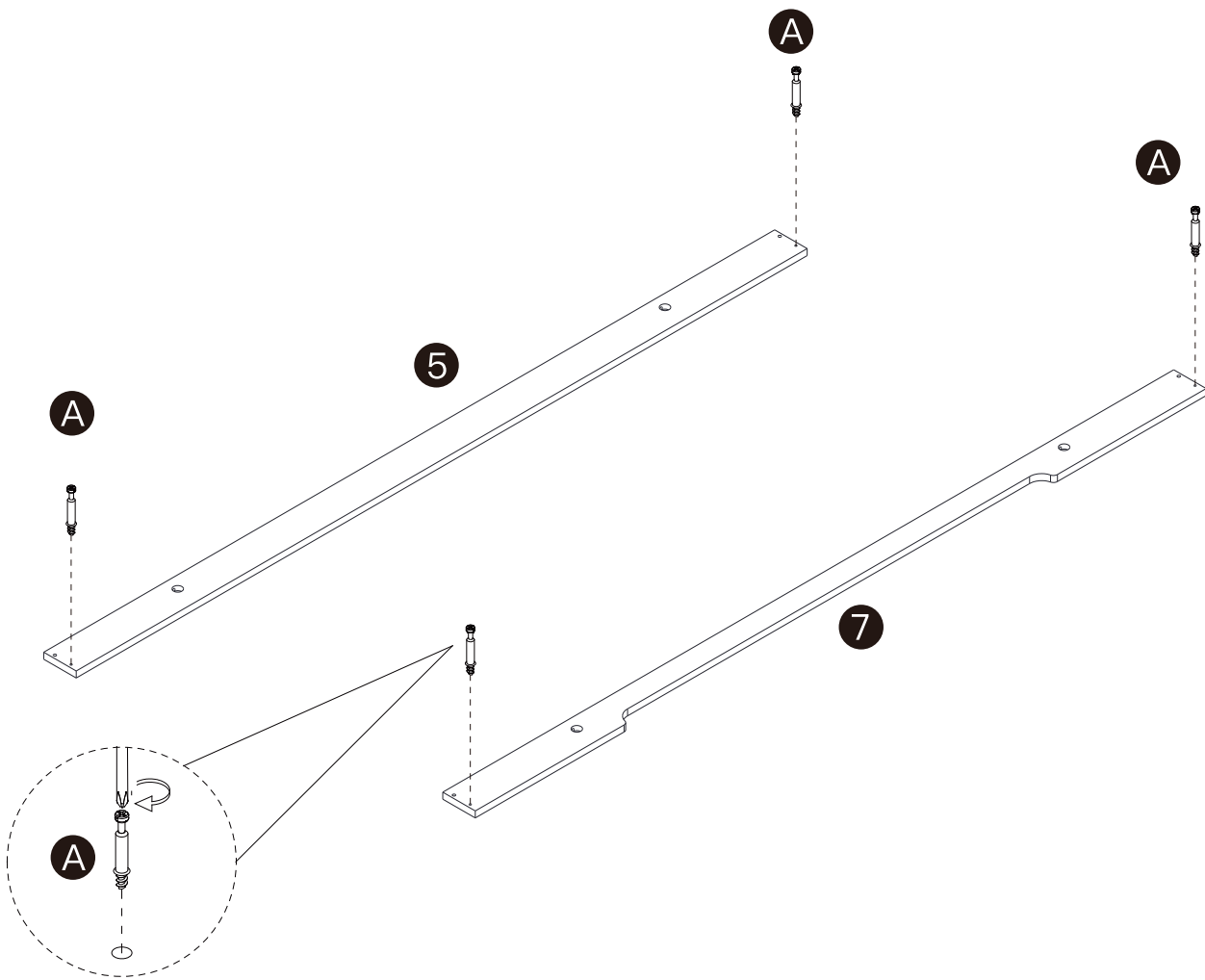
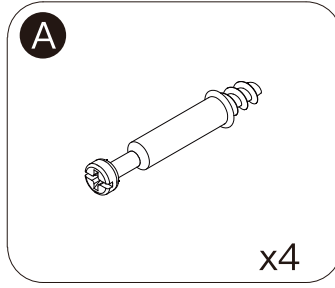
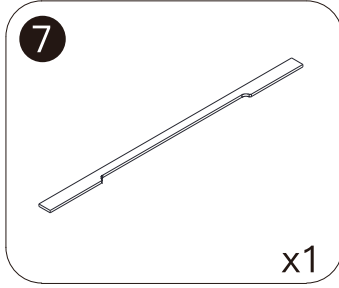
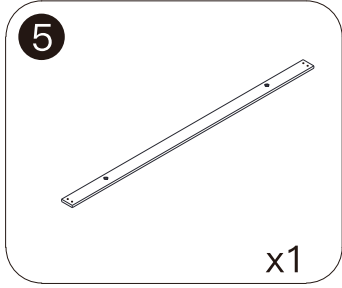
# STEP 6



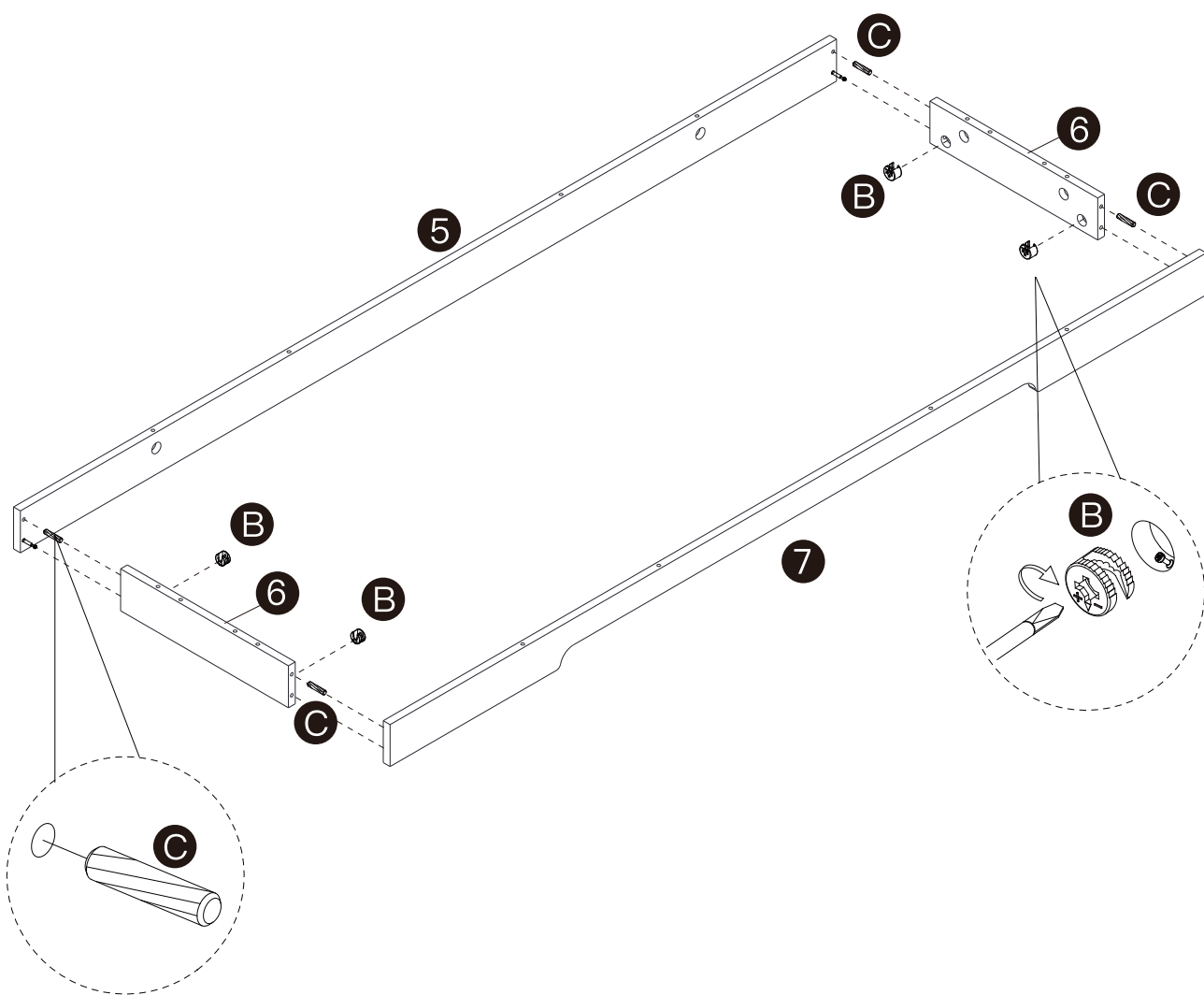
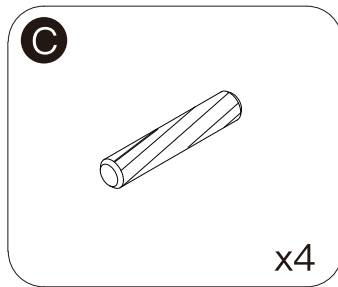
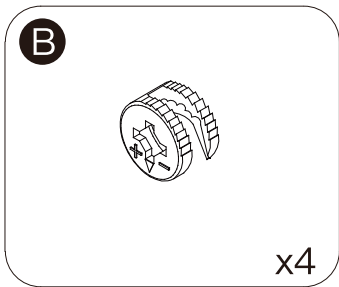
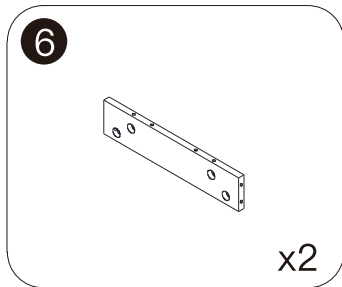
# STEP 7



# STEP 8

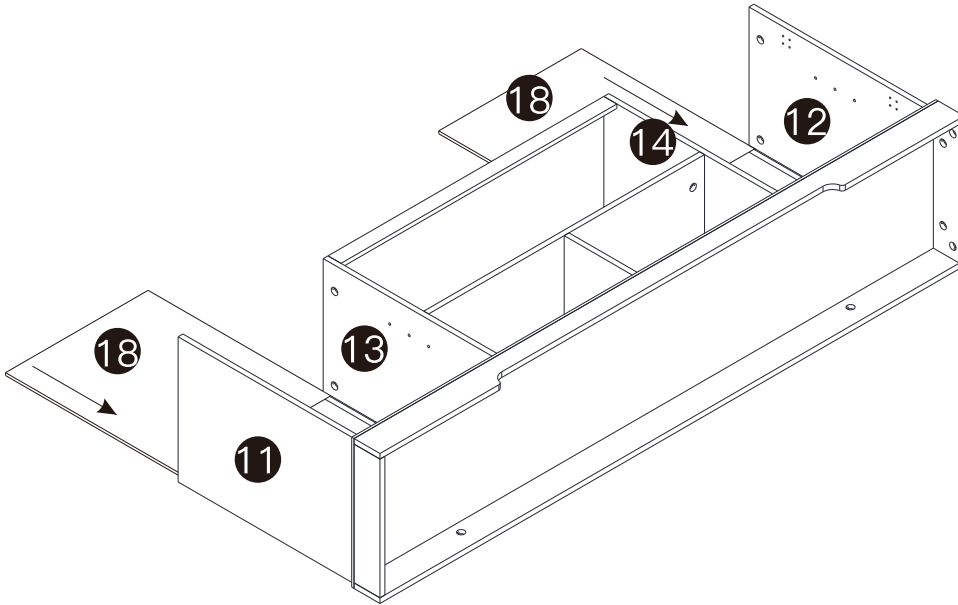
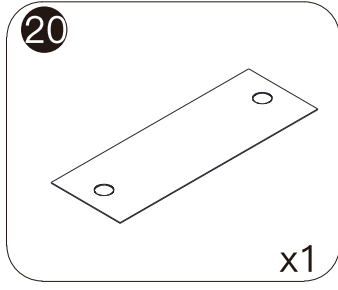
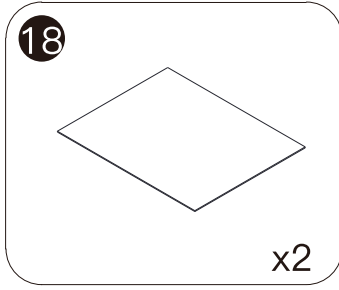


# STEP 9

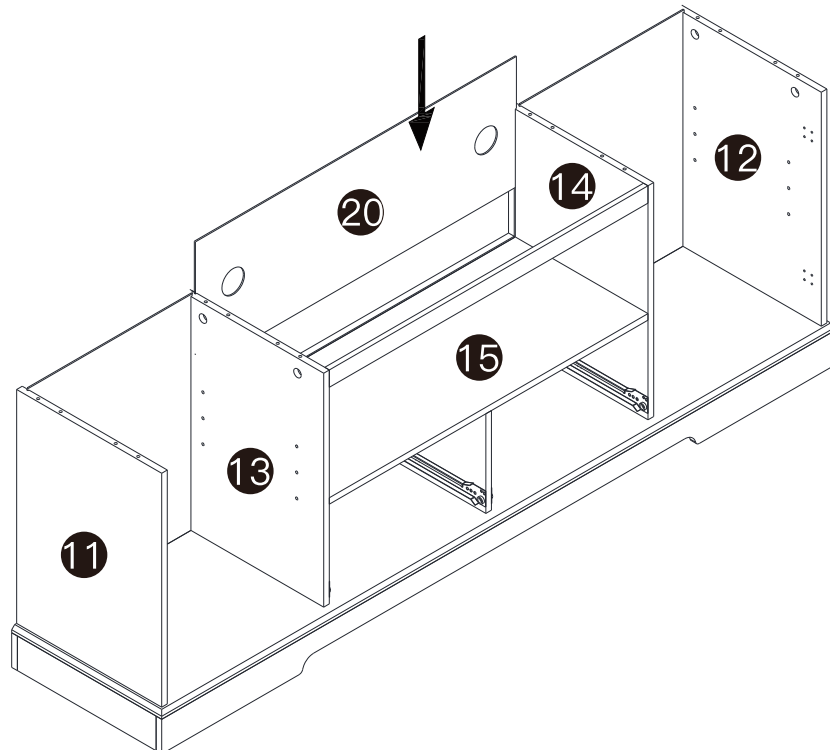




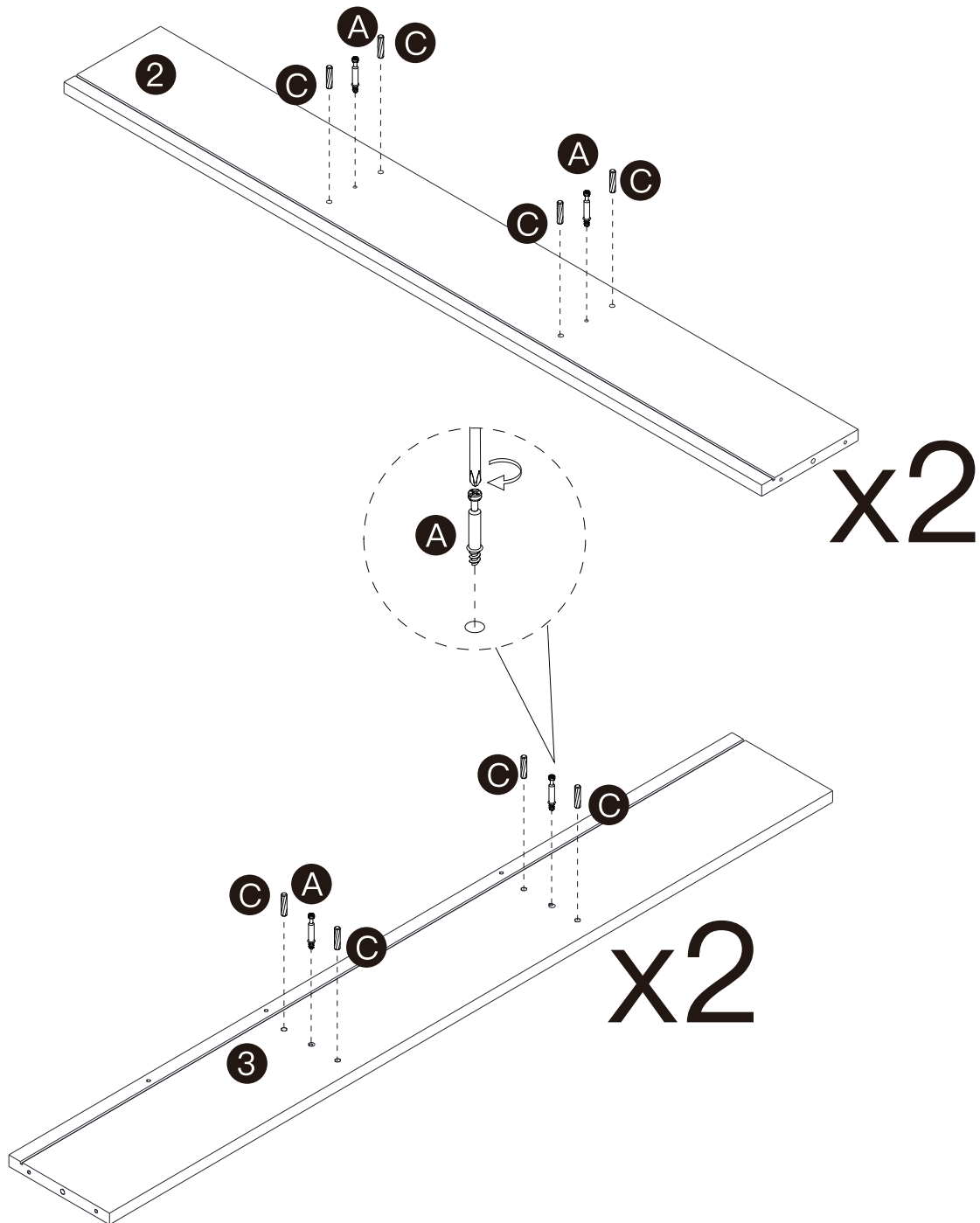
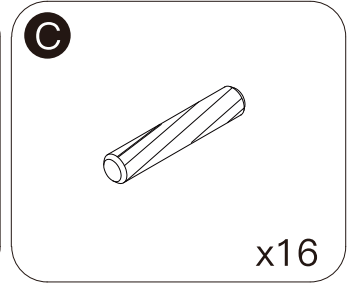
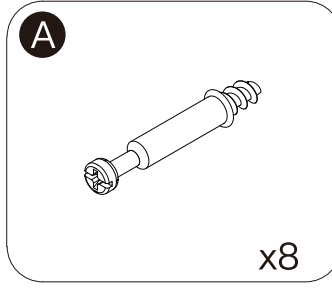
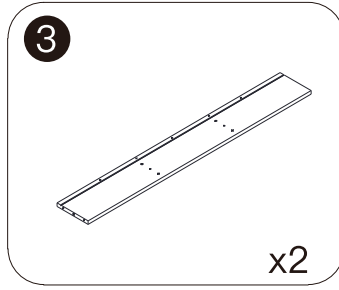
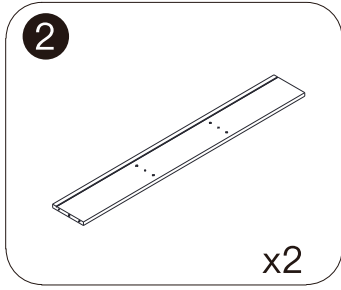
# STEP 11



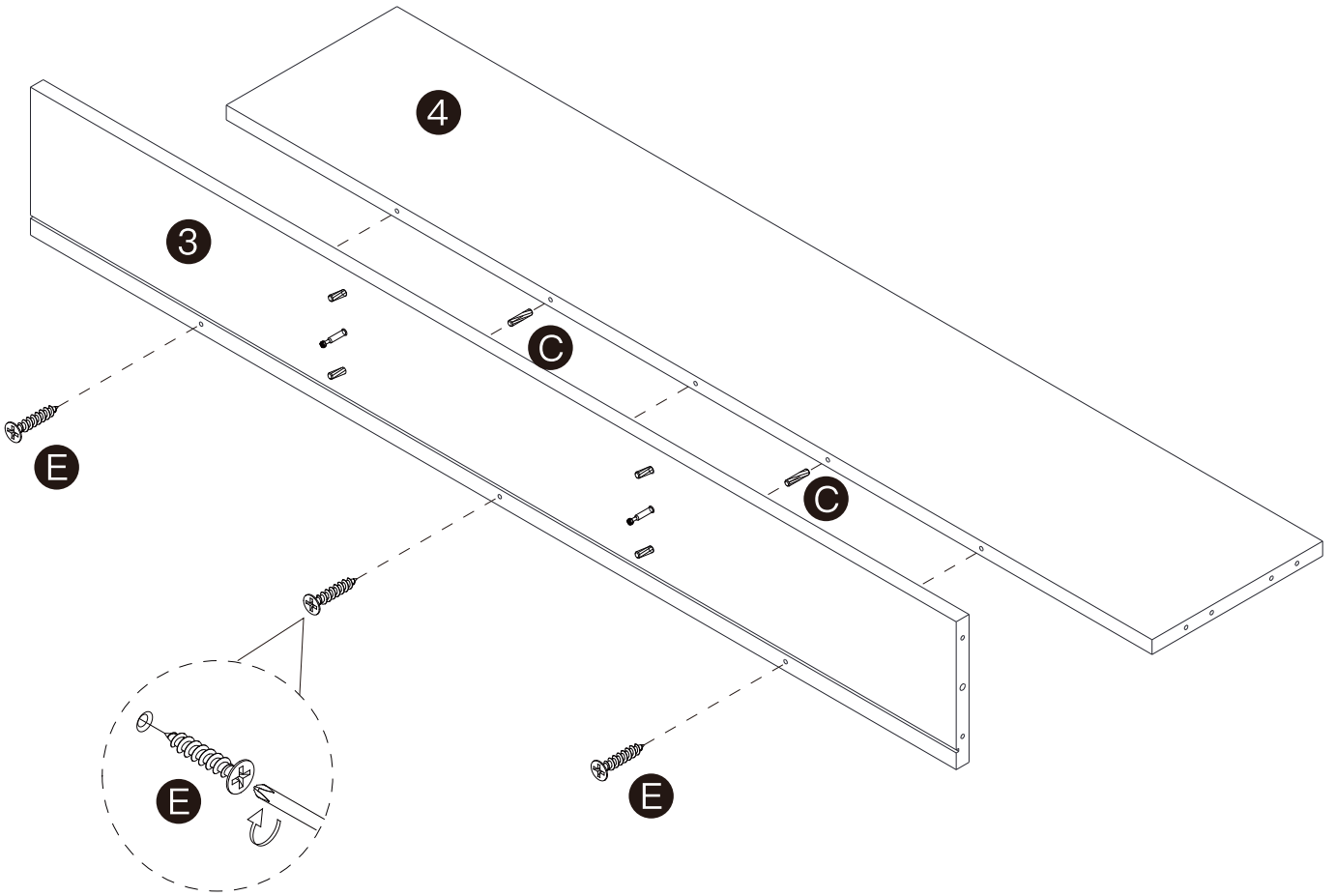
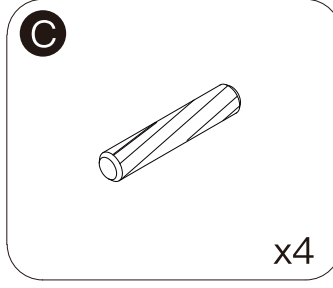
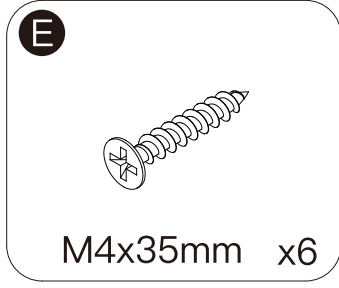
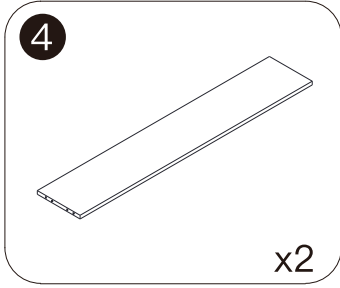
Turn Over  
180°



# STEP 12

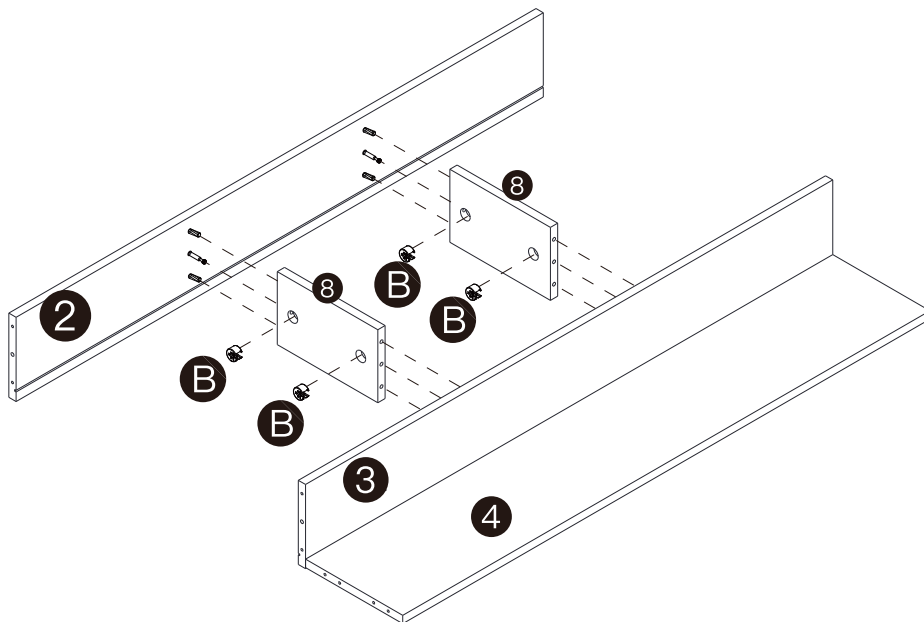
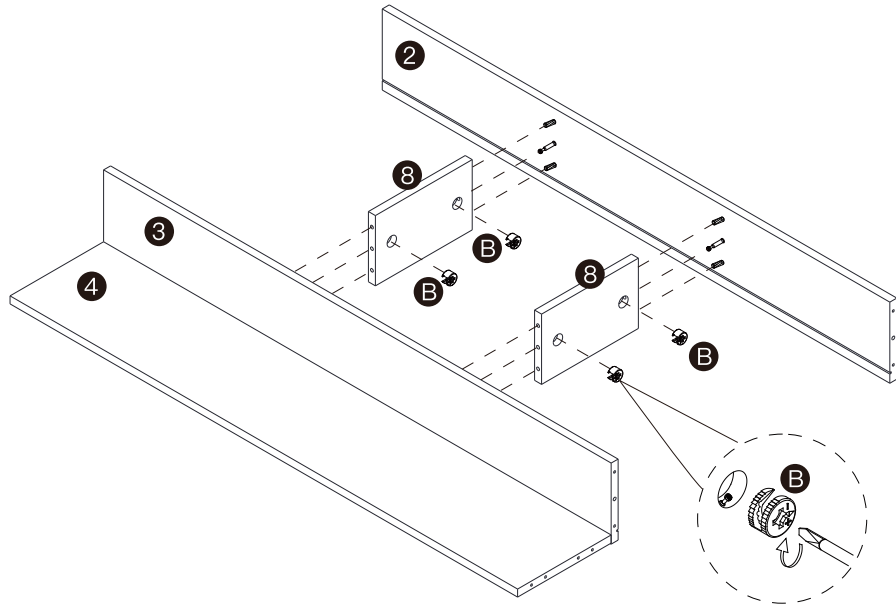
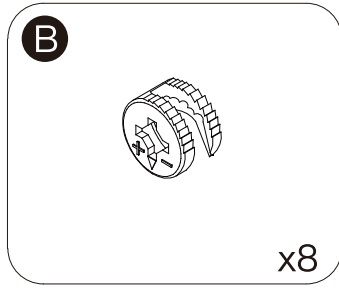
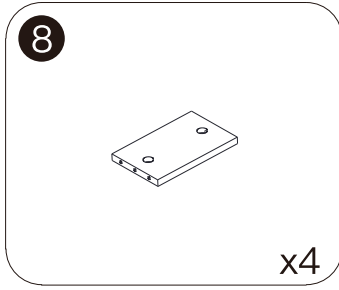


# STEP 13

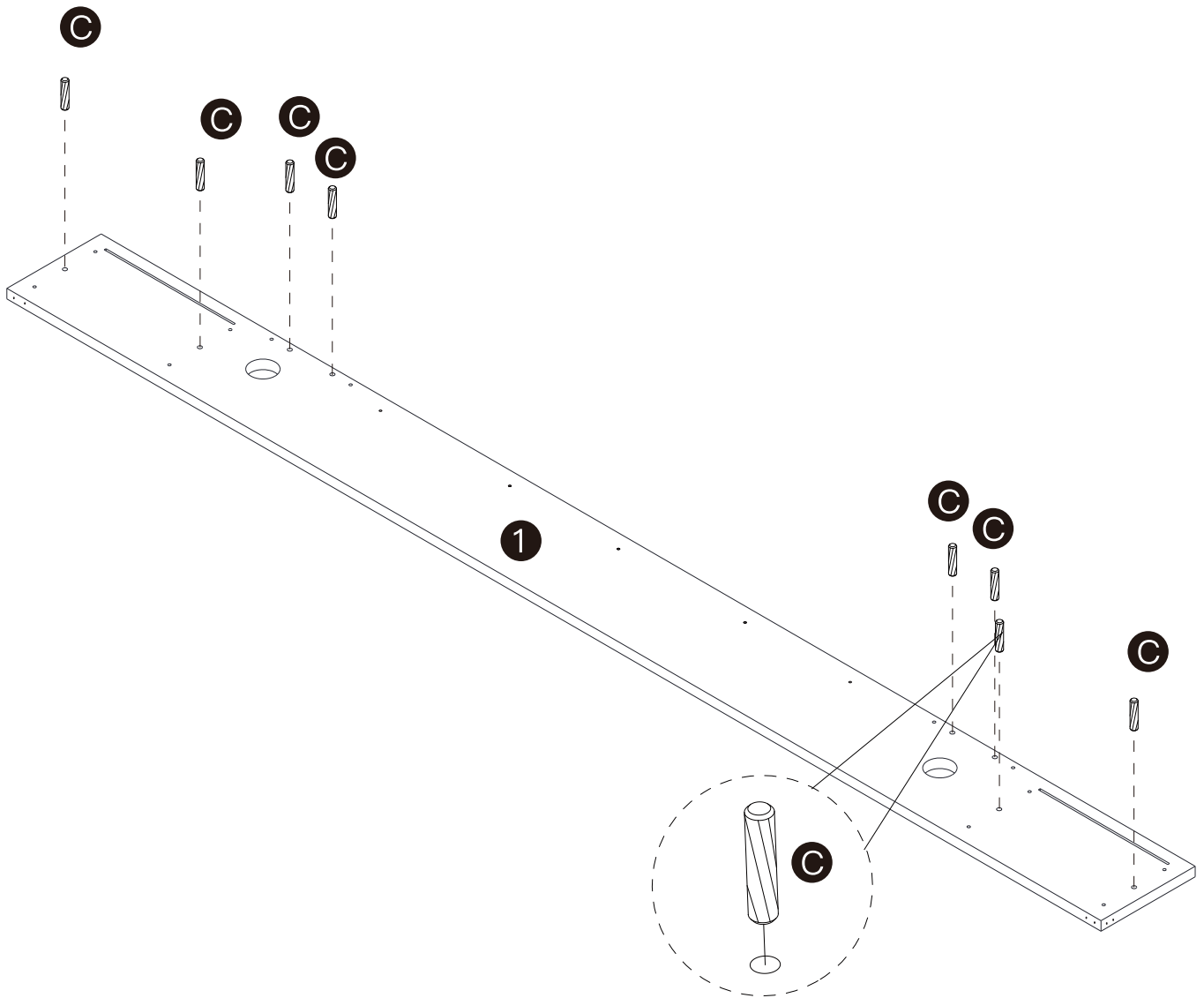
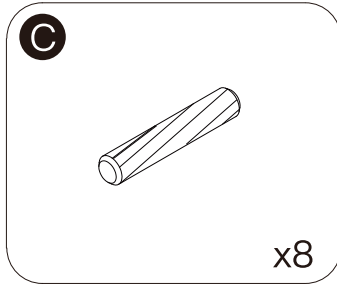
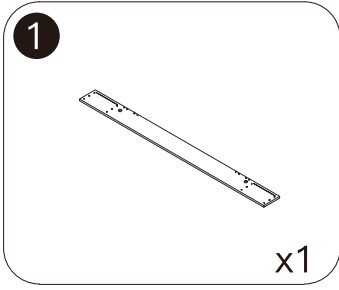


x2

# STEP 14



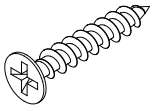
# STEP 15



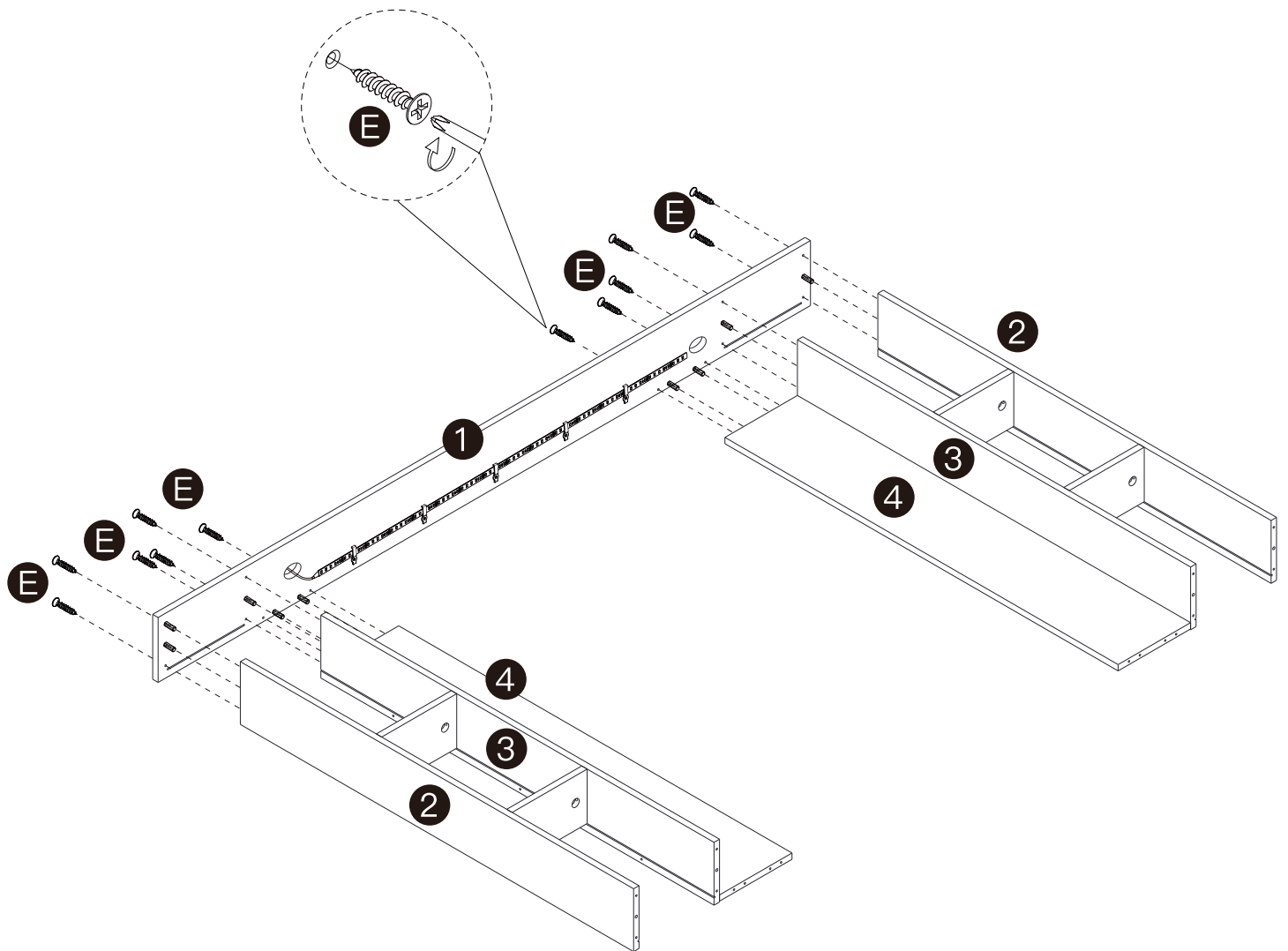


# STEP 17

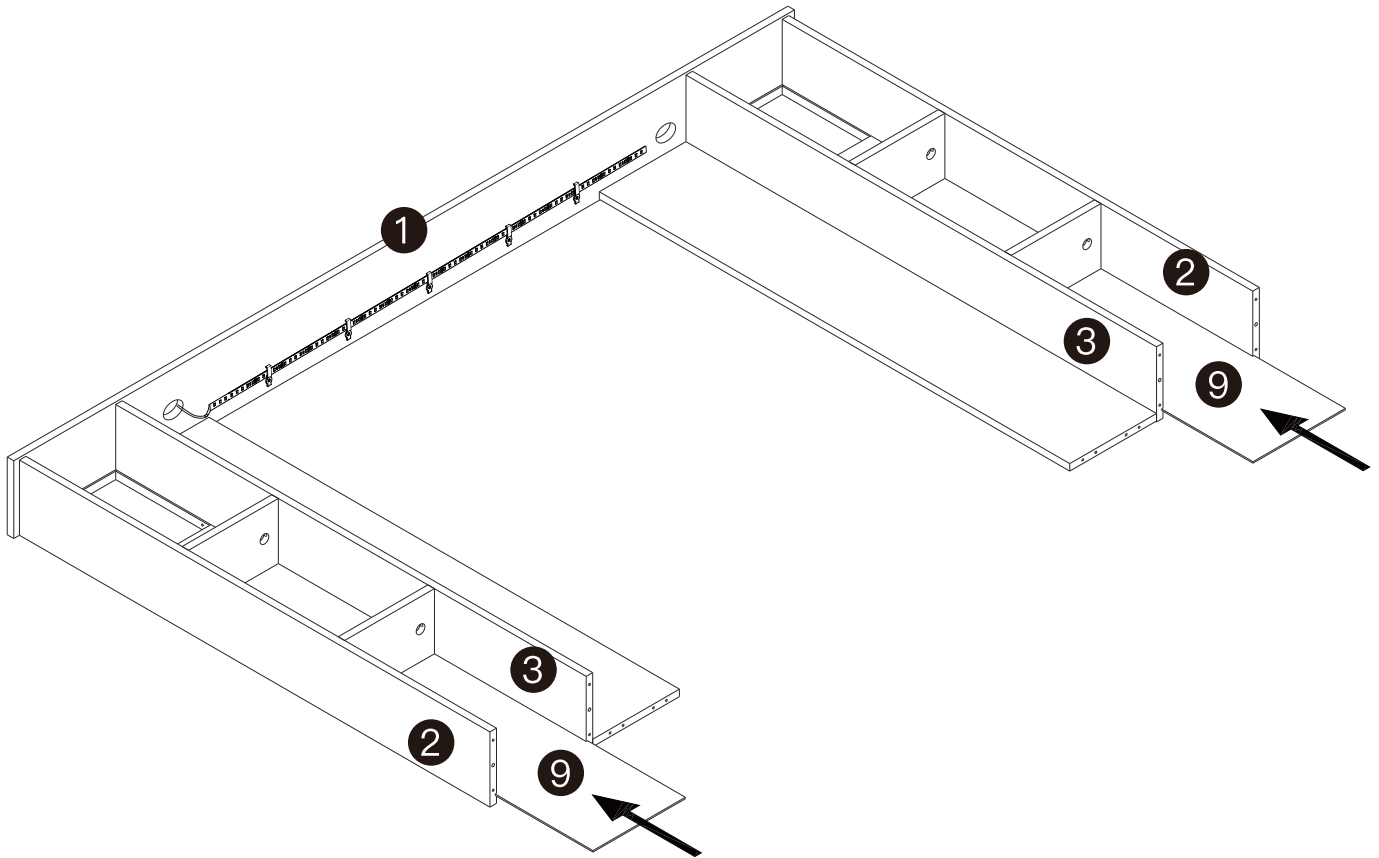
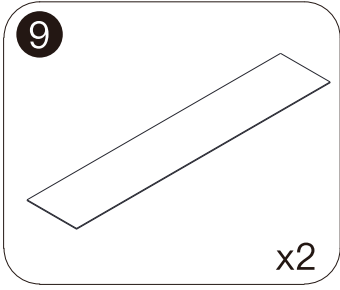
E



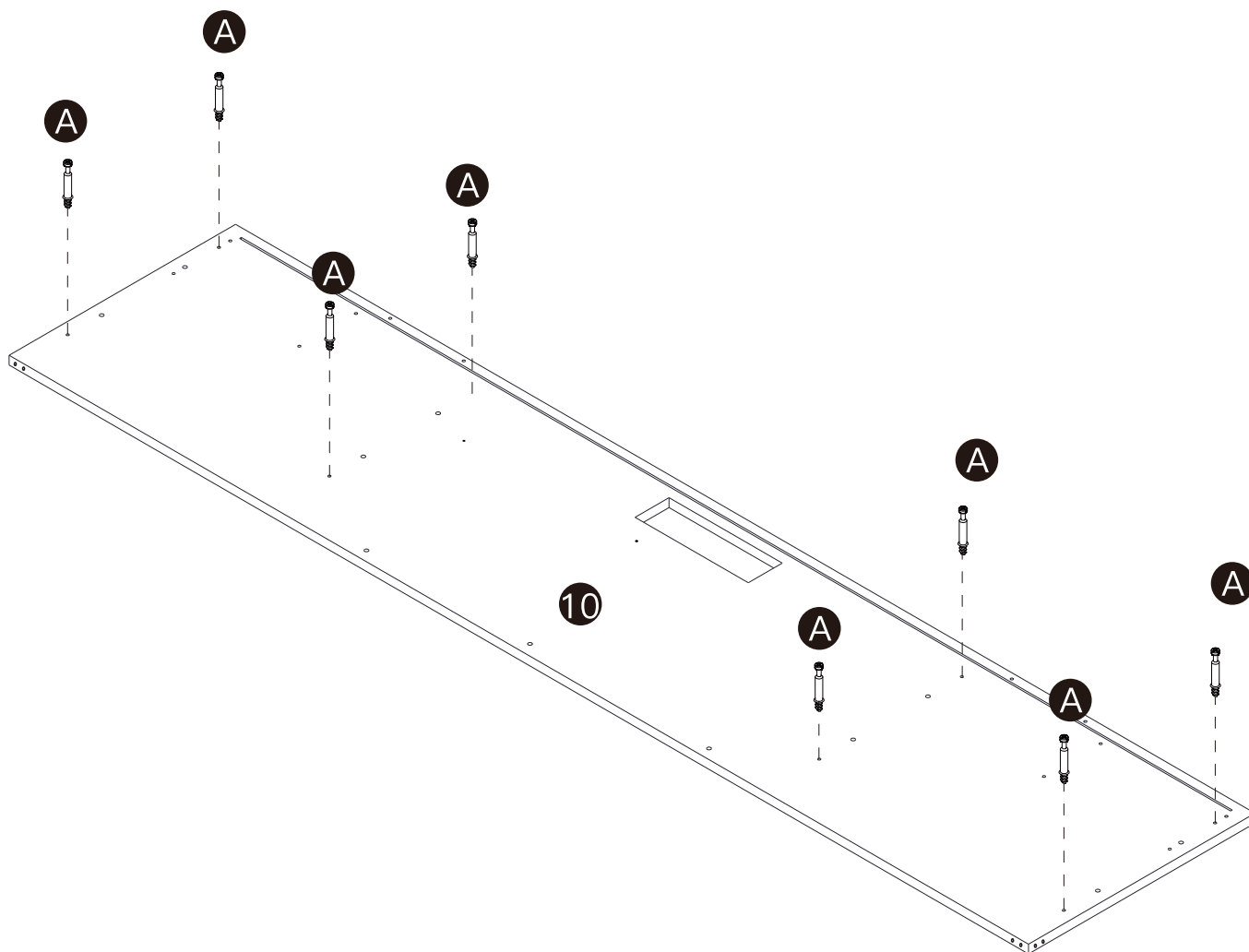
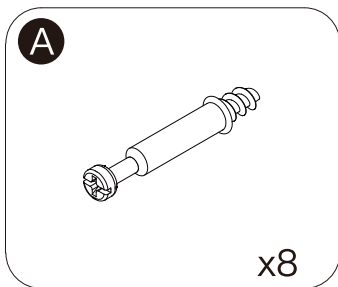
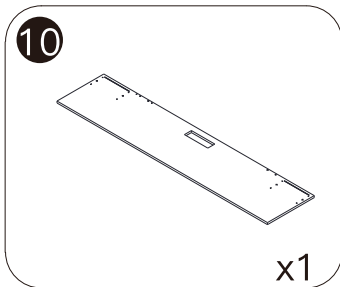
M4x35mm x12



# STEP 18



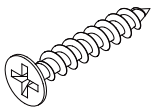
# STEP 19





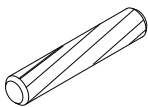
# STEP 21

**E**

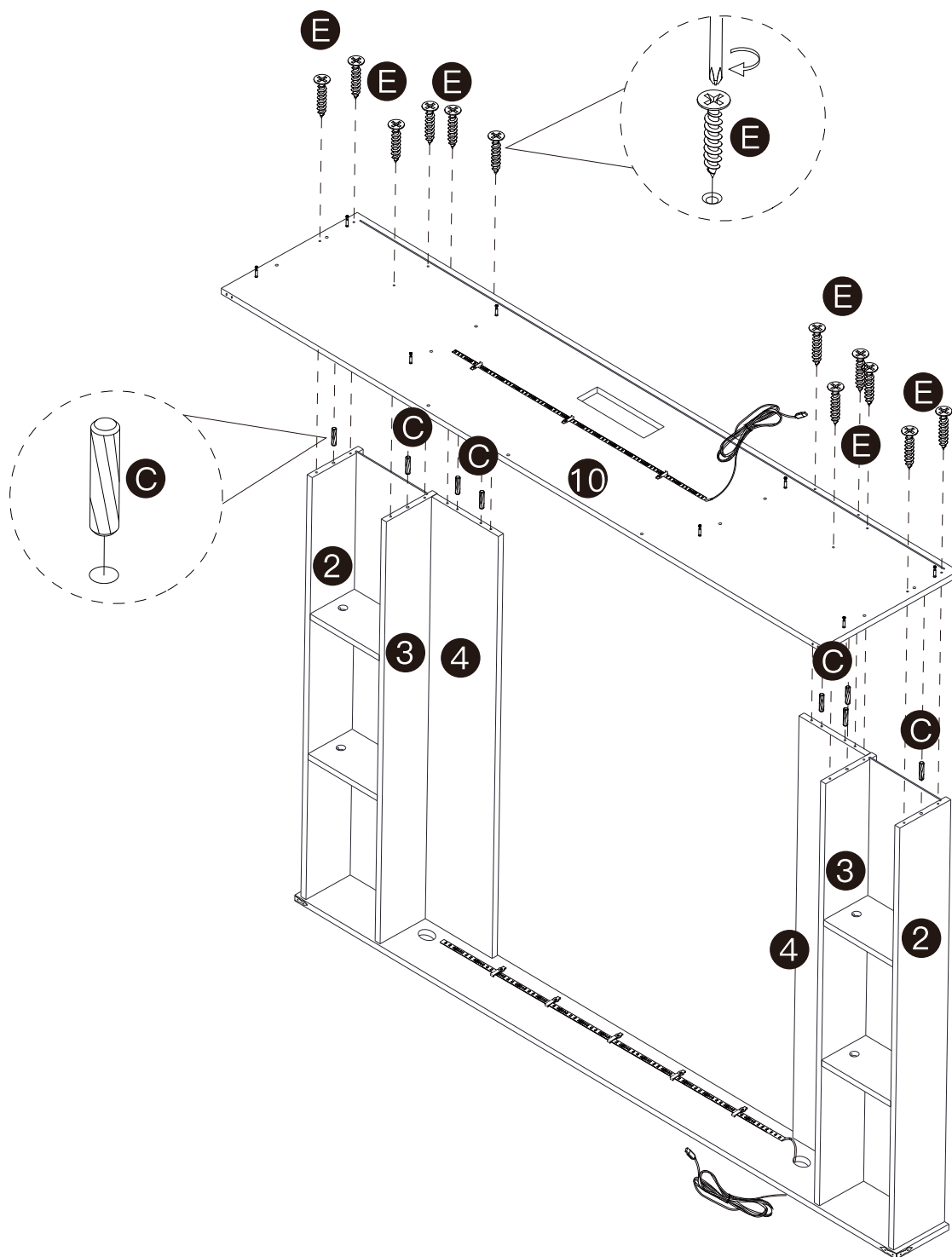


M4x35mm x12

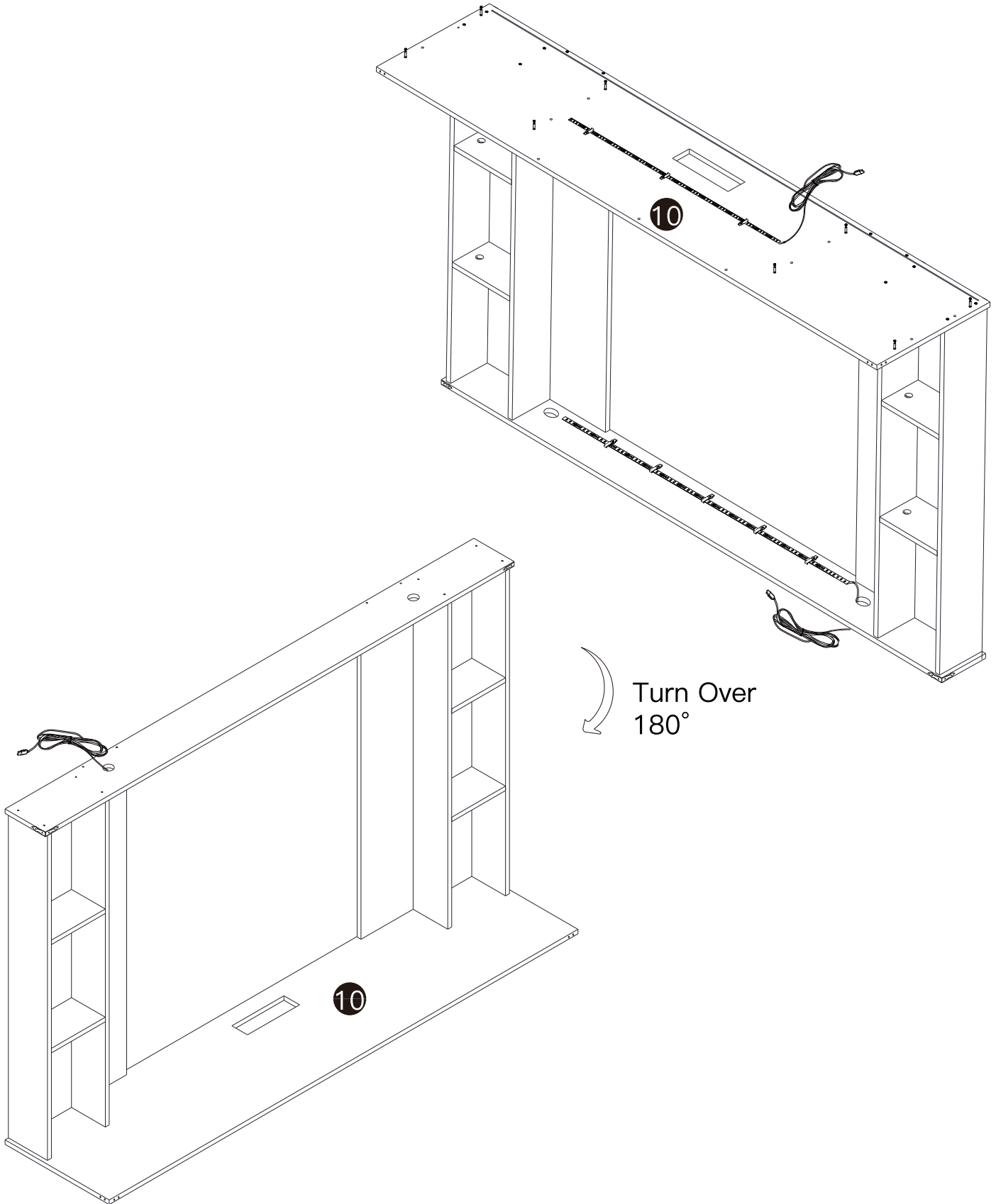
**C**



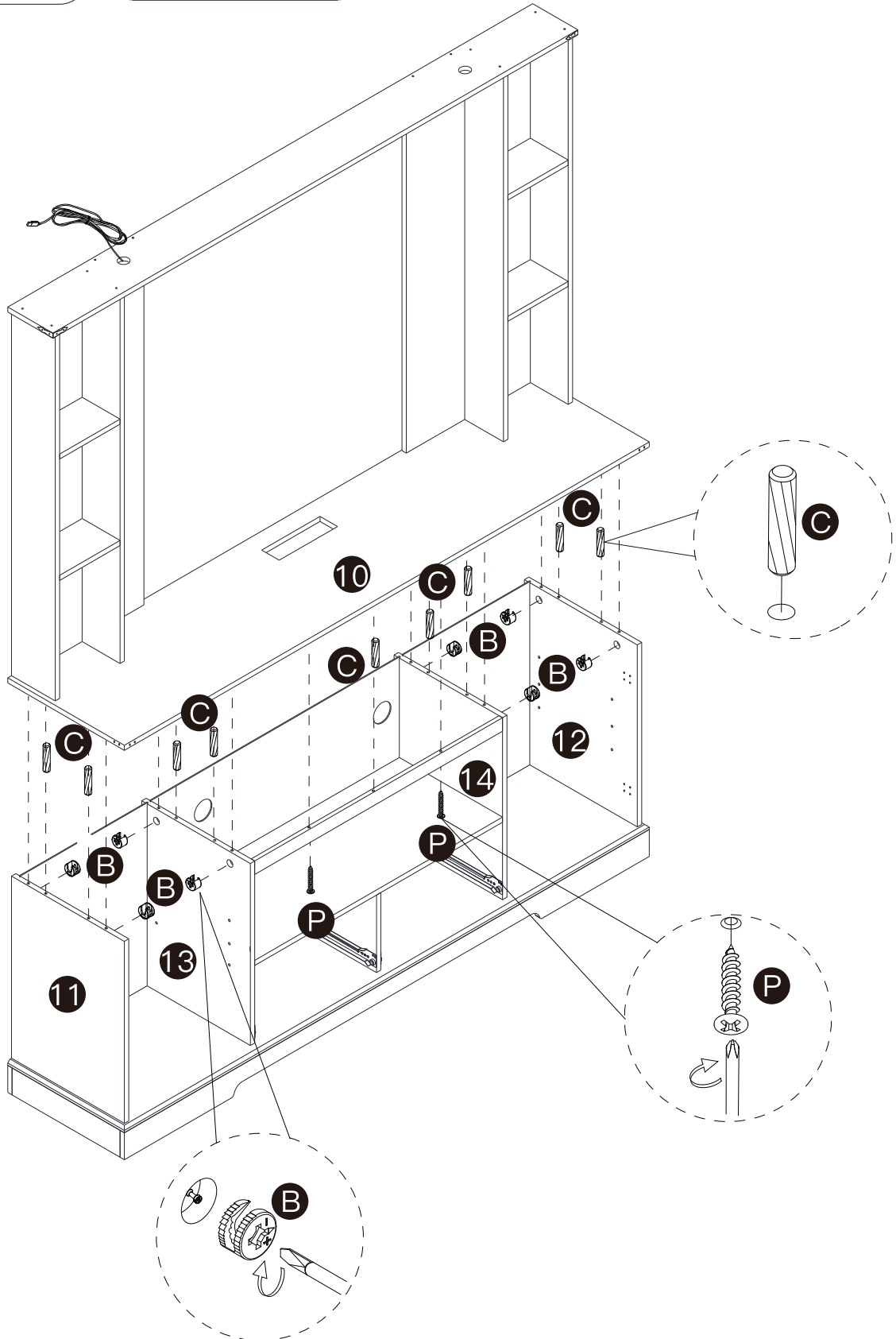
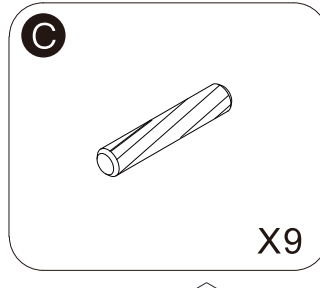
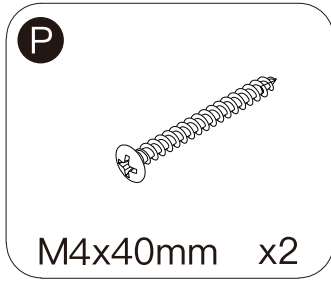
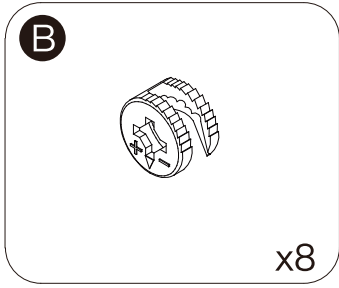
x8



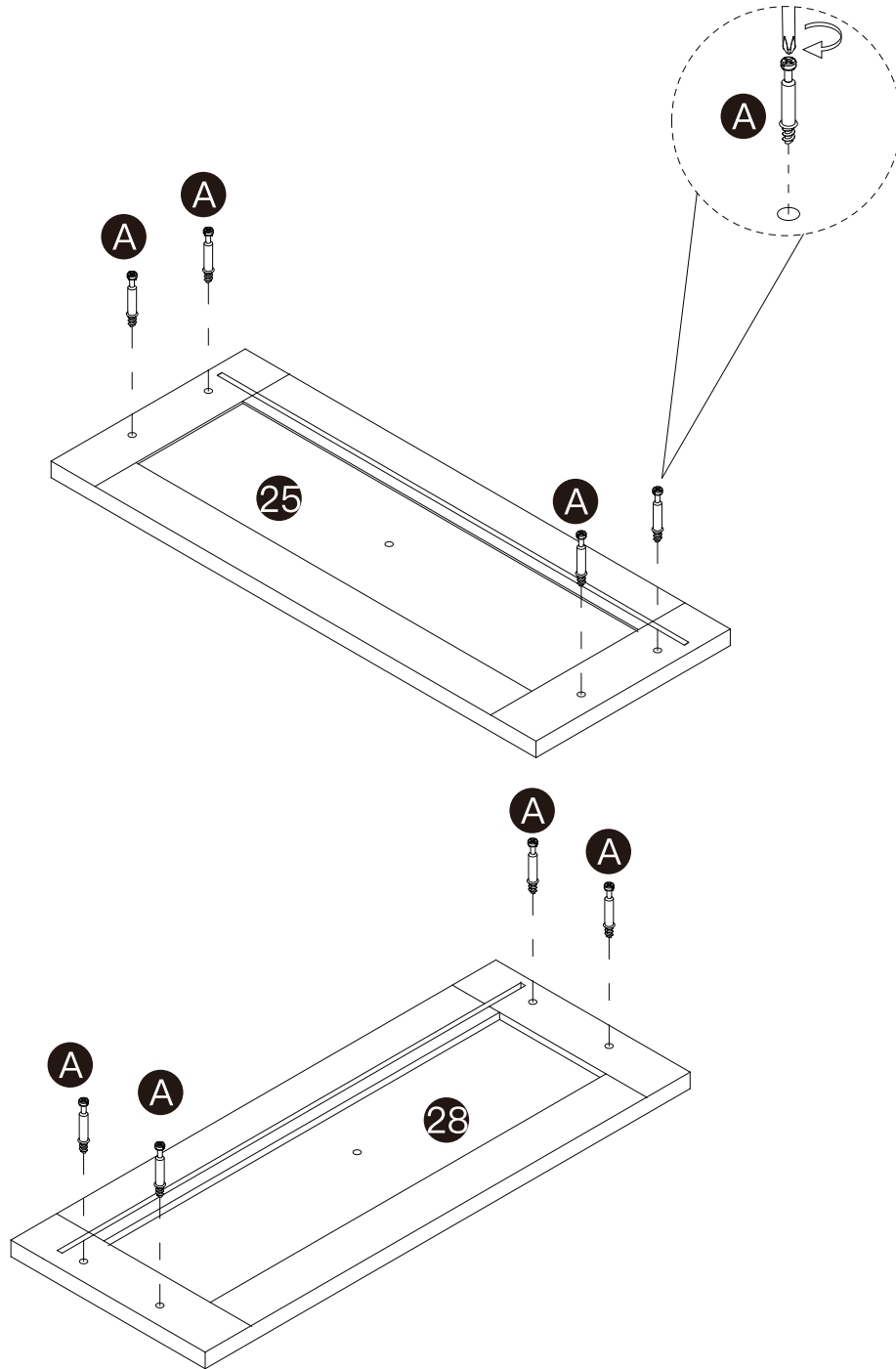
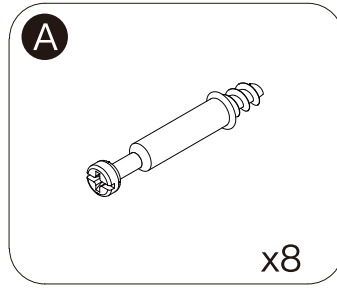
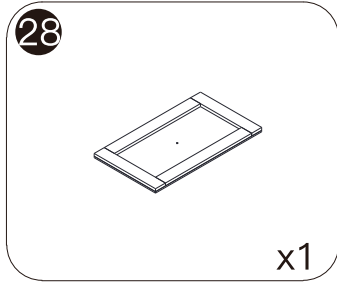
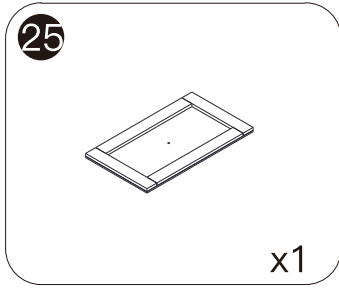
# STEP 22



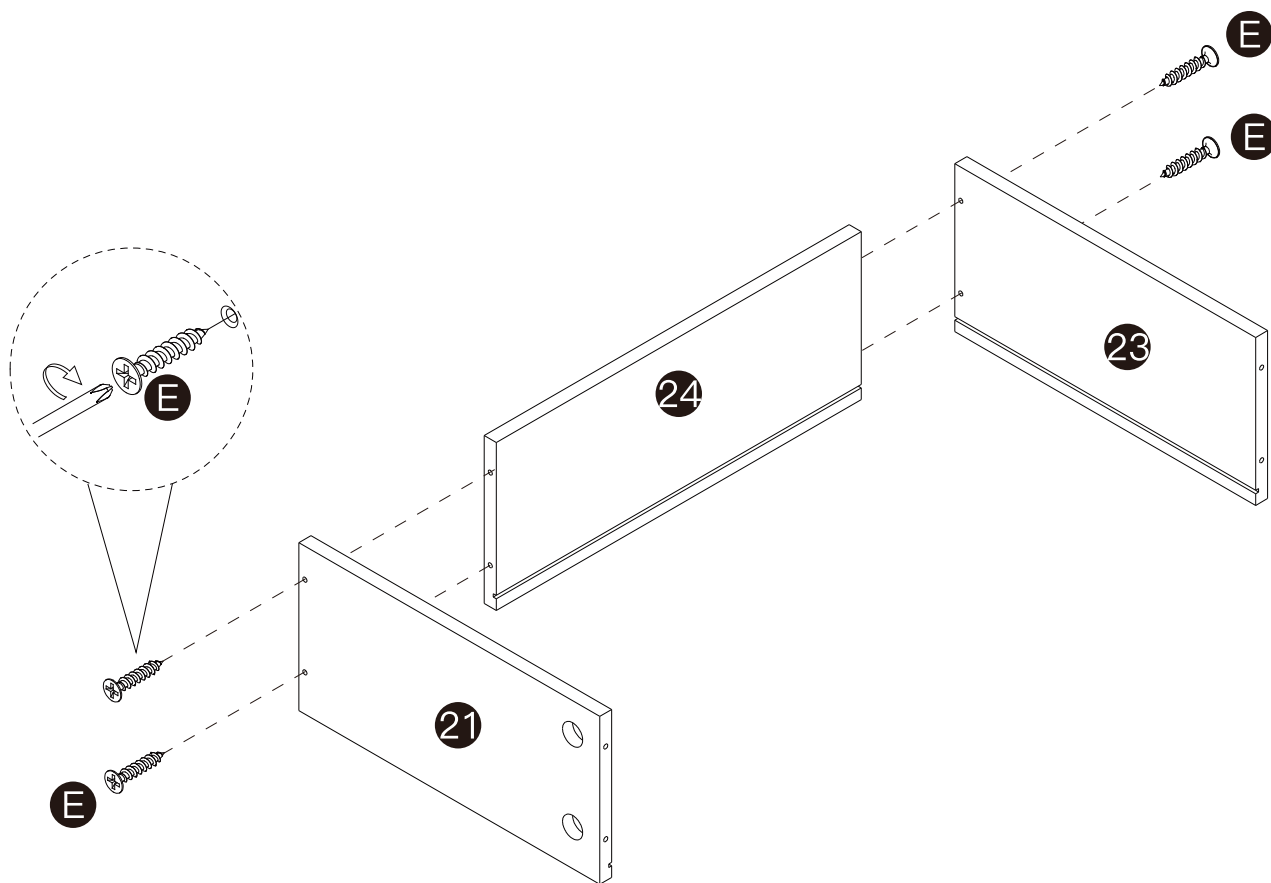
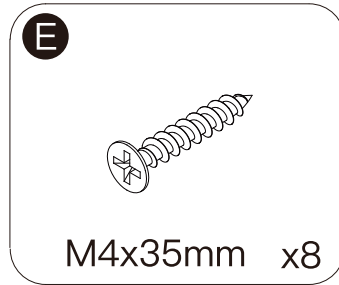
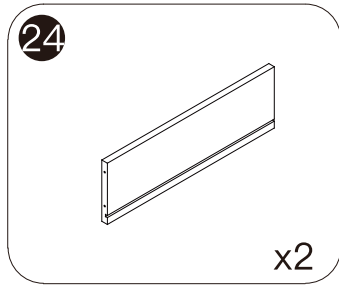
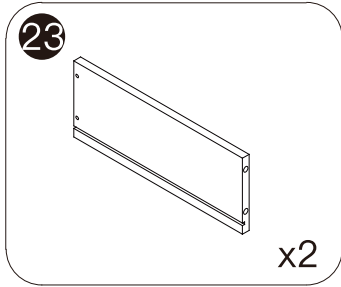
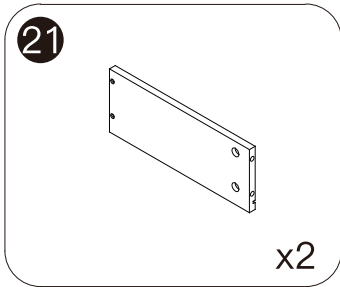
# STEP 23



# STEP 24

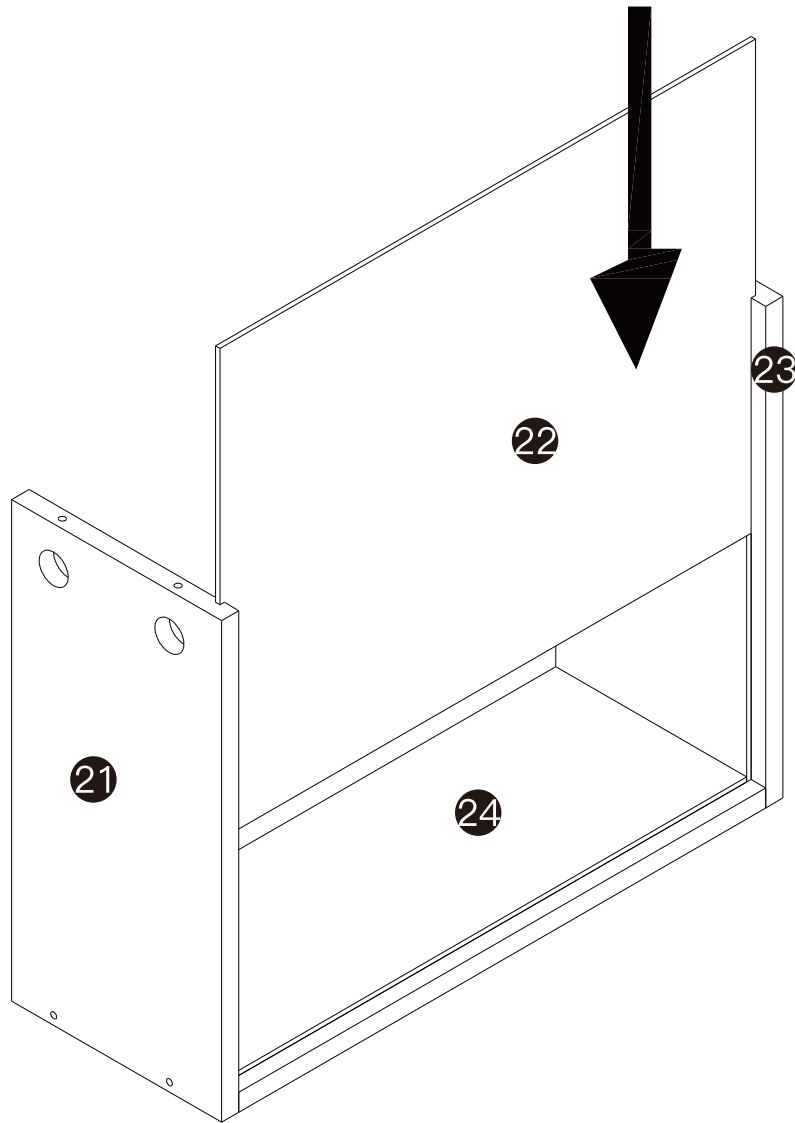
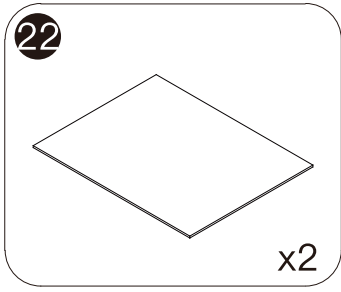


# STEP 25



x2

# STEP 26



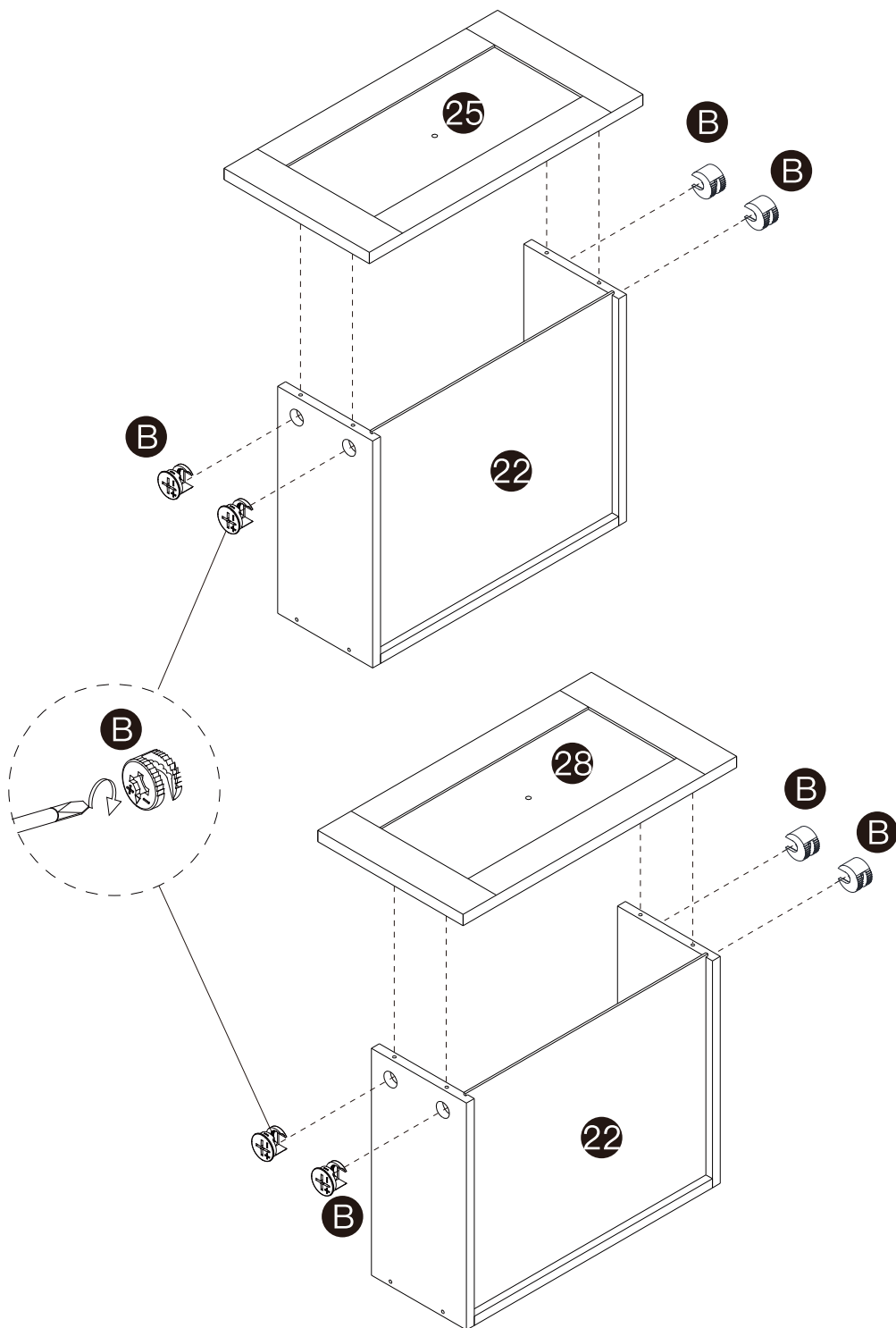
x2

# STEP 27

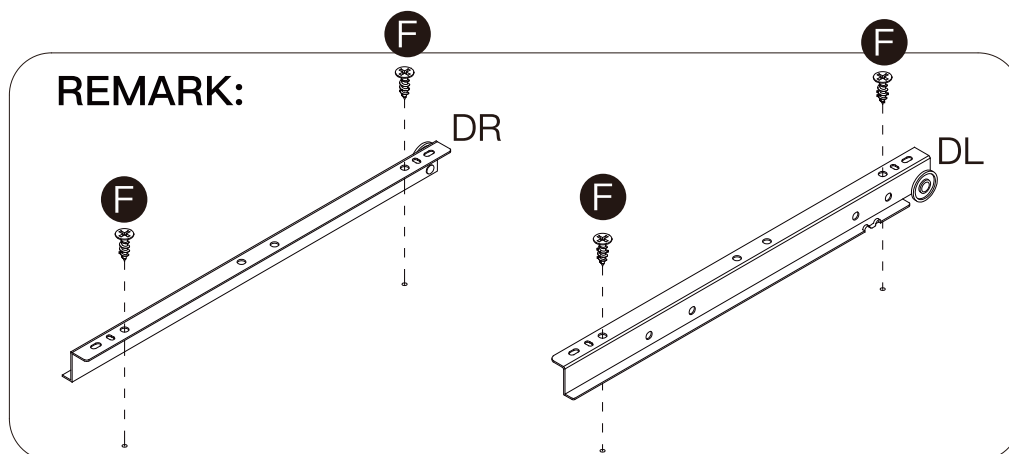
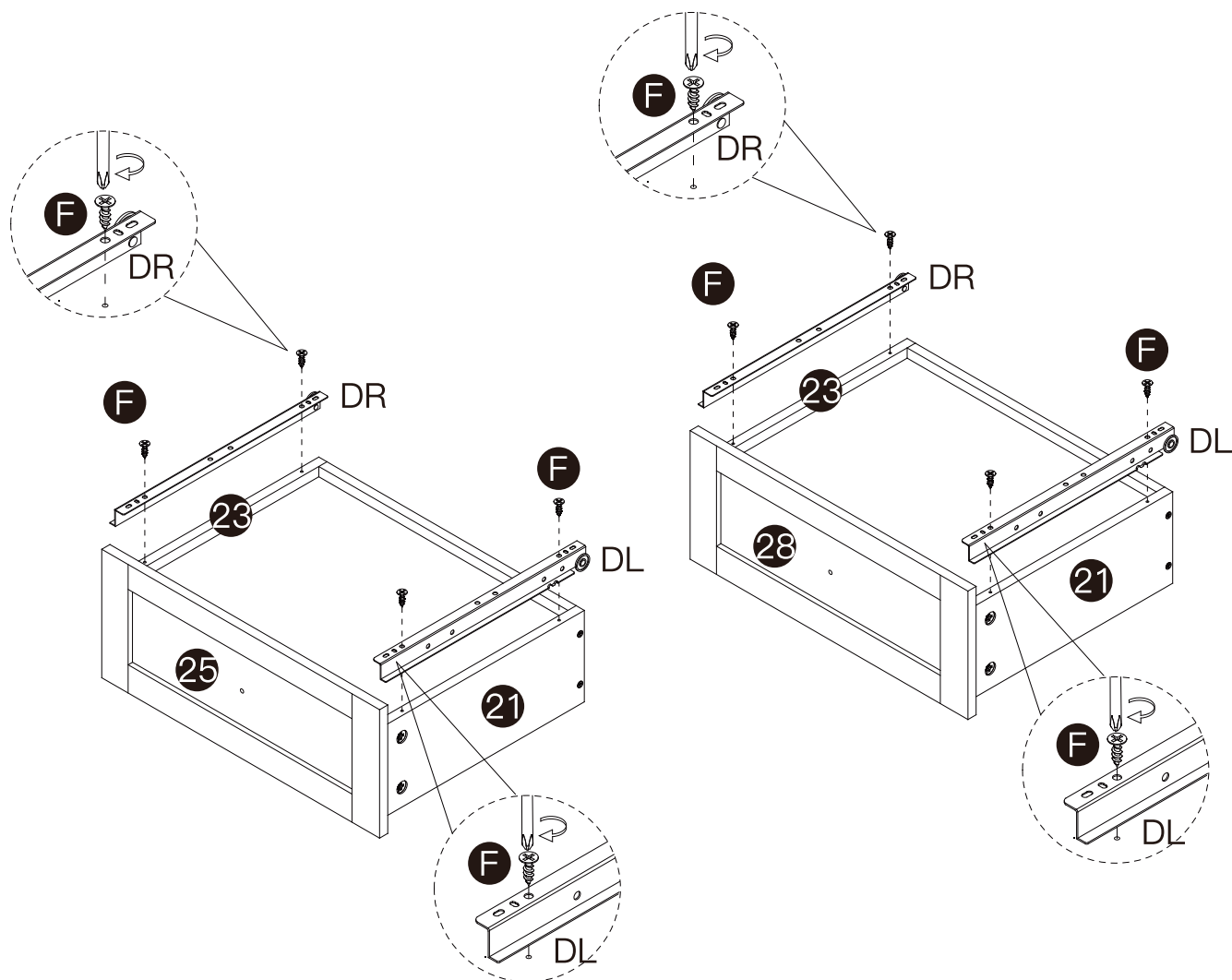
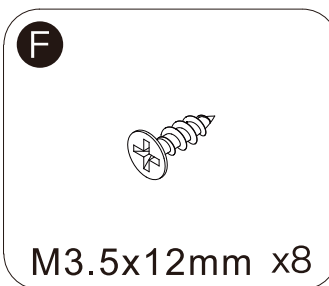
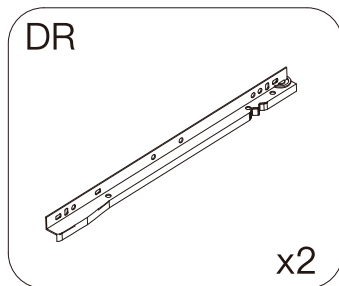
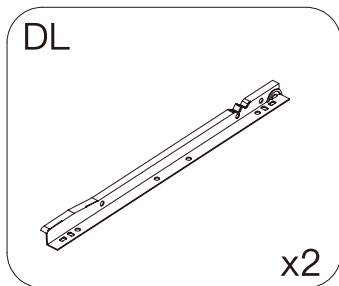
**B**



x8

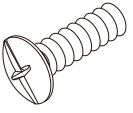


# STEP 28



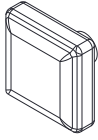
# STEP 29

W

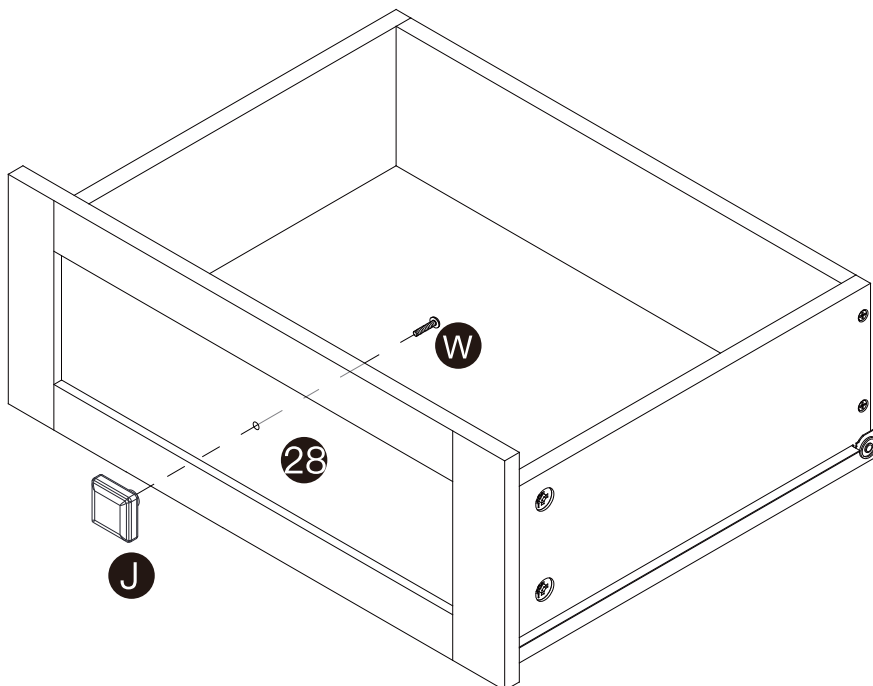
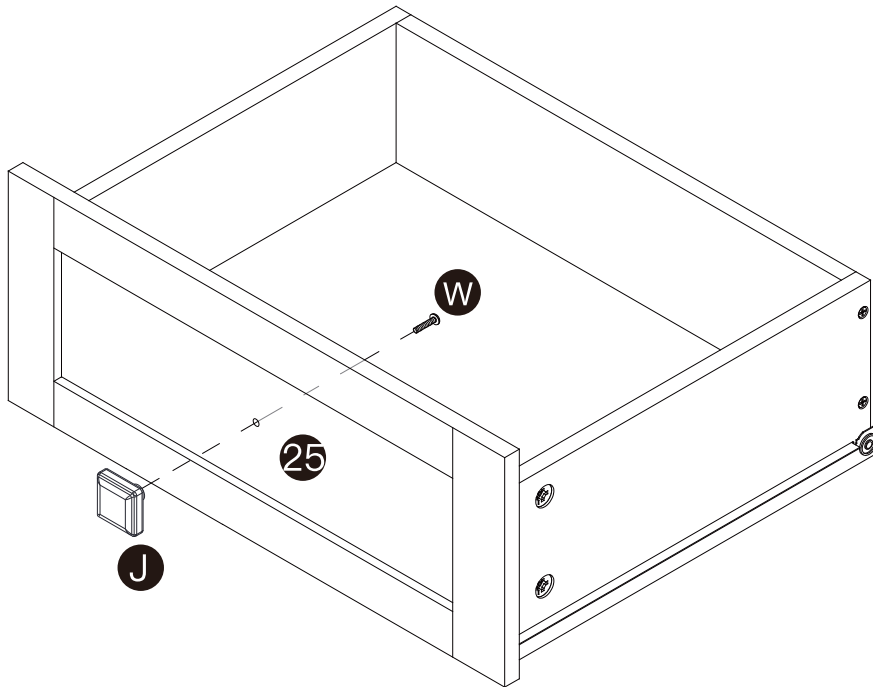


M4x10mm x2

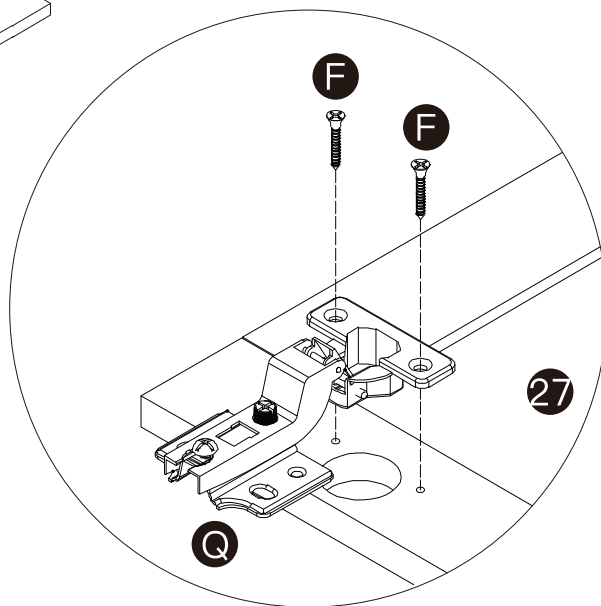
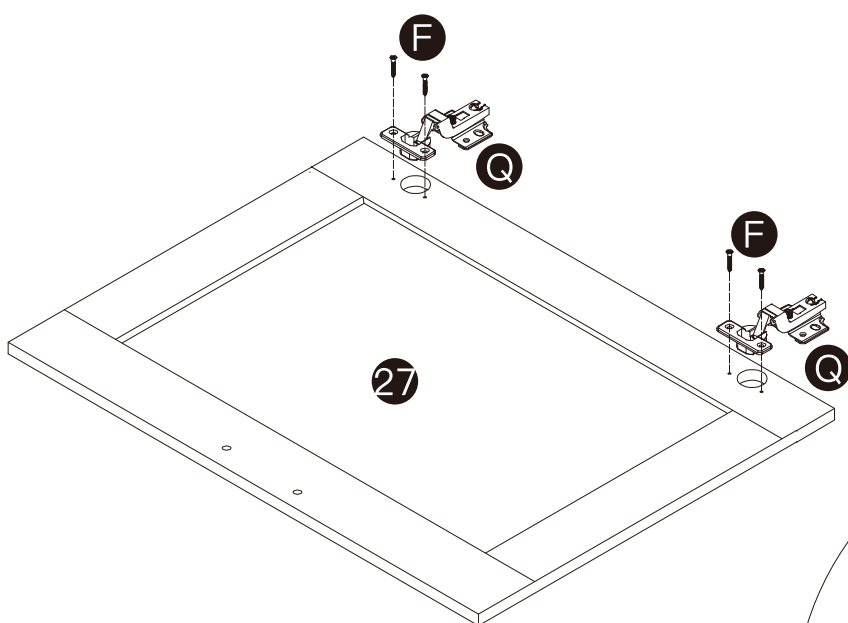
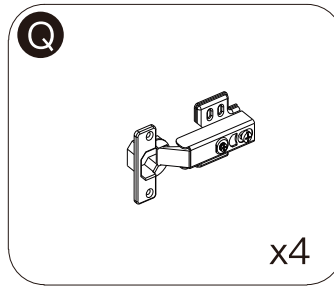
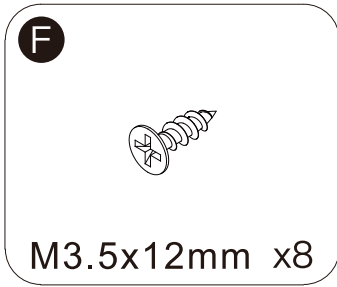
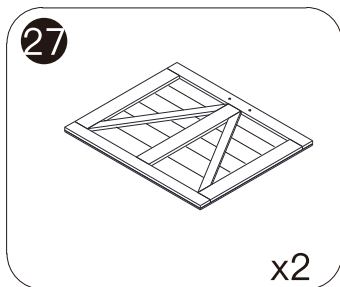
J



x2

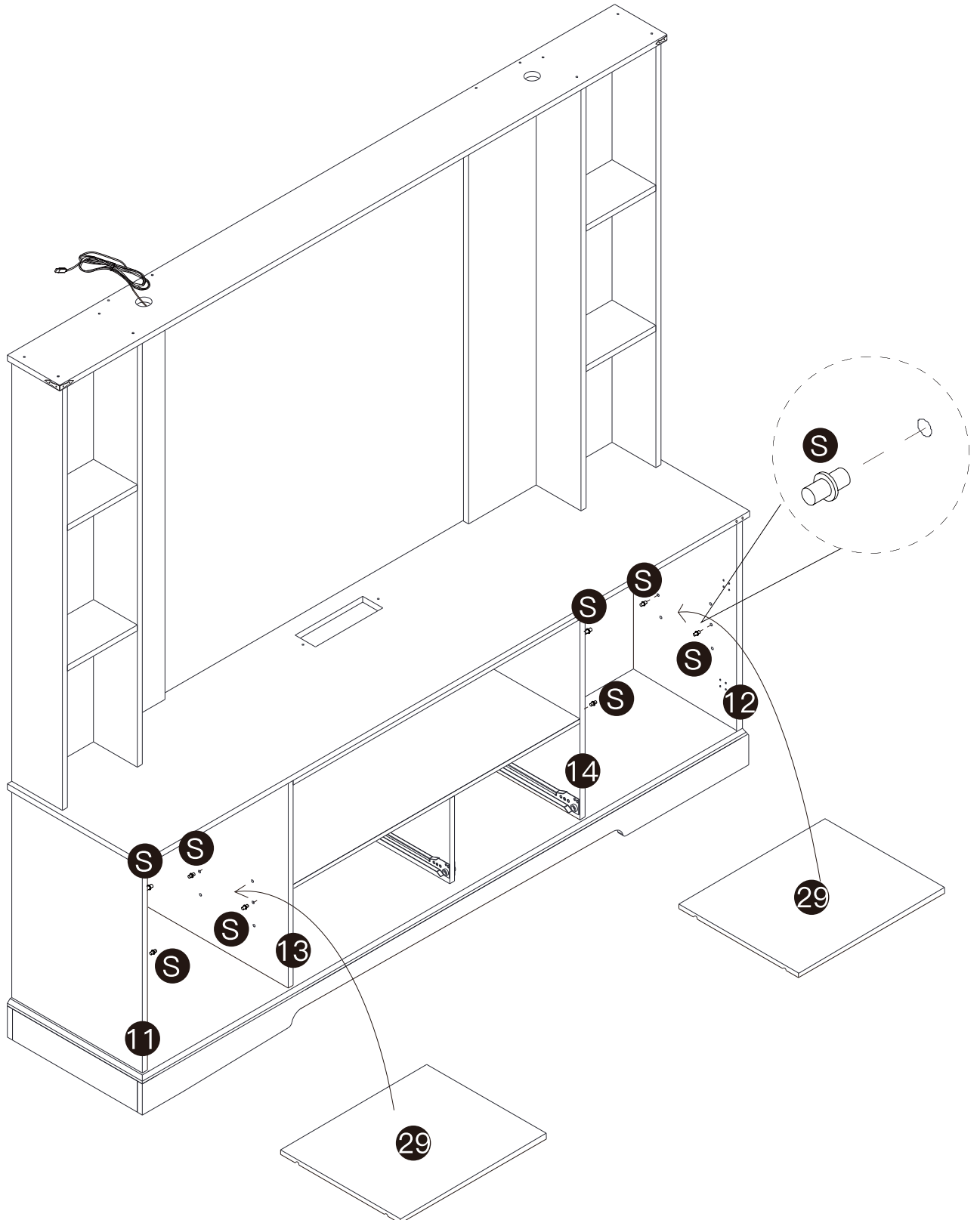
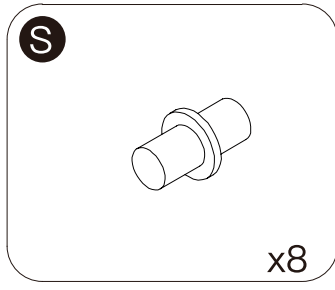
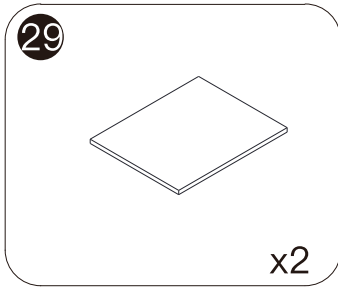


# STEP 30



x2

# STEP 31

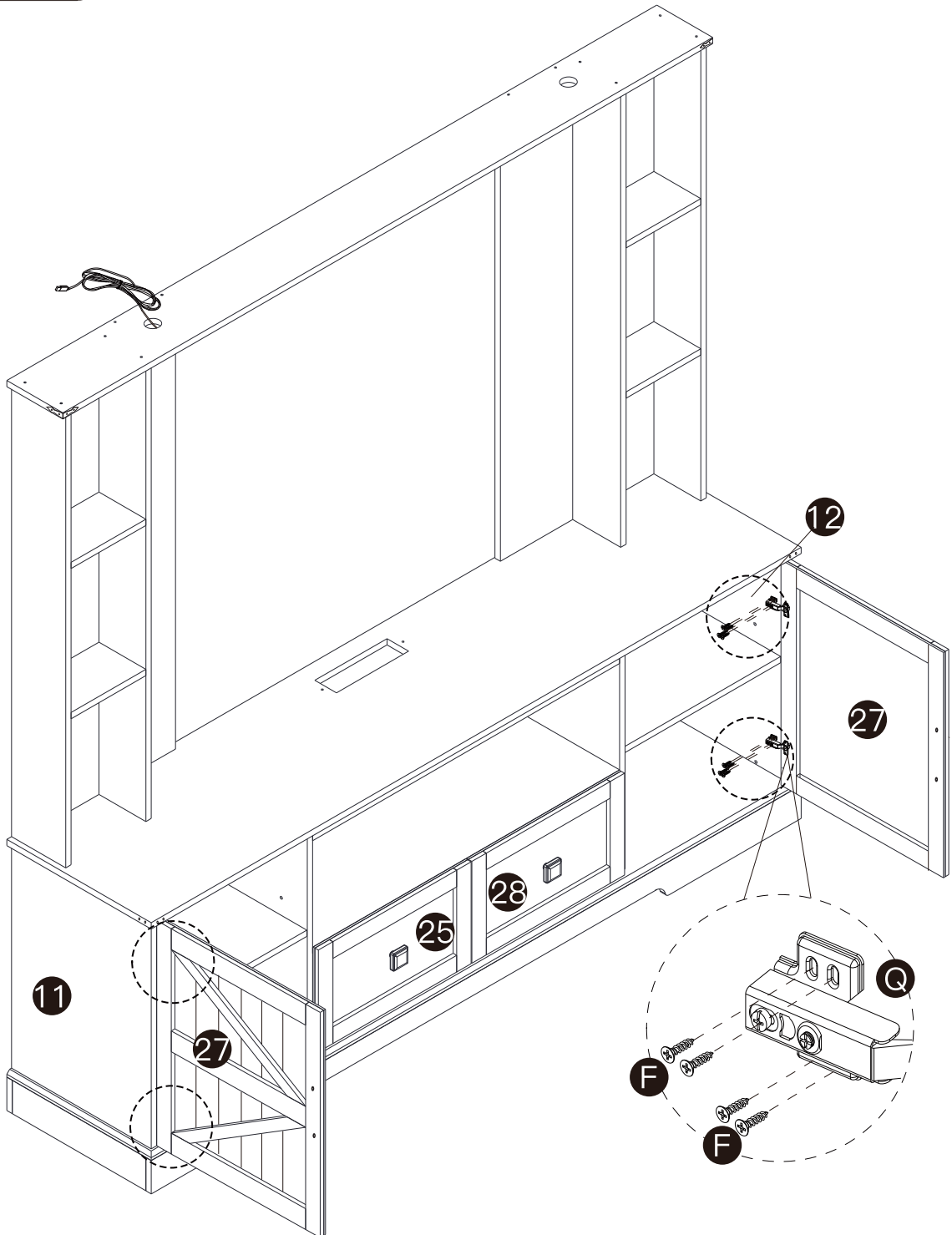


# STEP 32

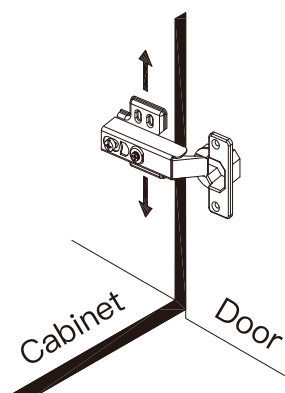
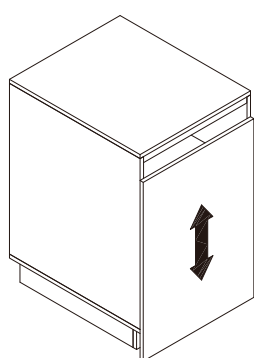
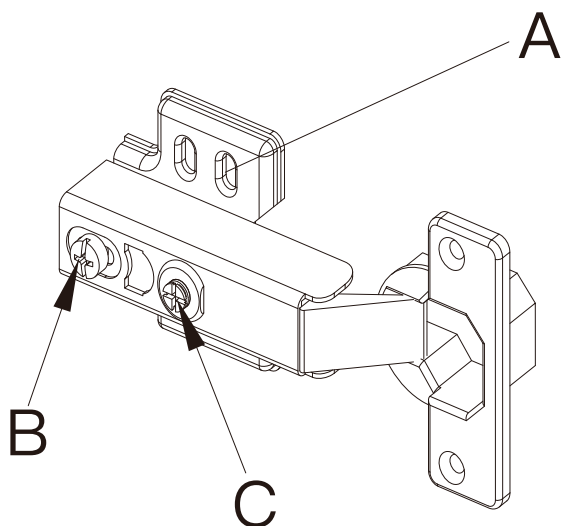
F



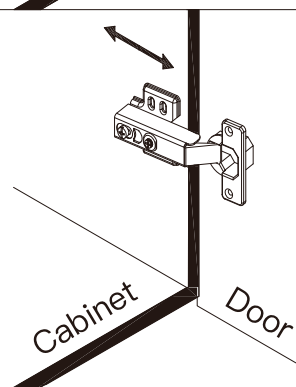
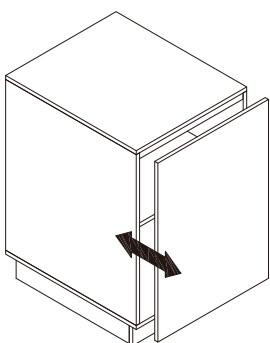
M3.5x12mm x16



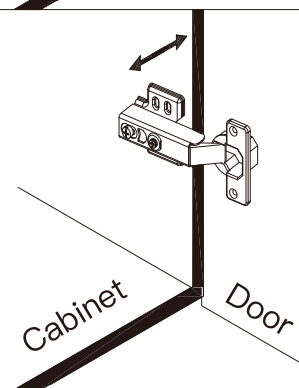
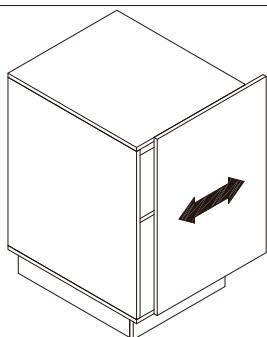
# STEP 33



To adjust the vertical height.  
Loosen the four screws "A" on both hinges. Two of them are usually in slotted holes which allows you to adjust up or down by a few mm. Then tighten back up.

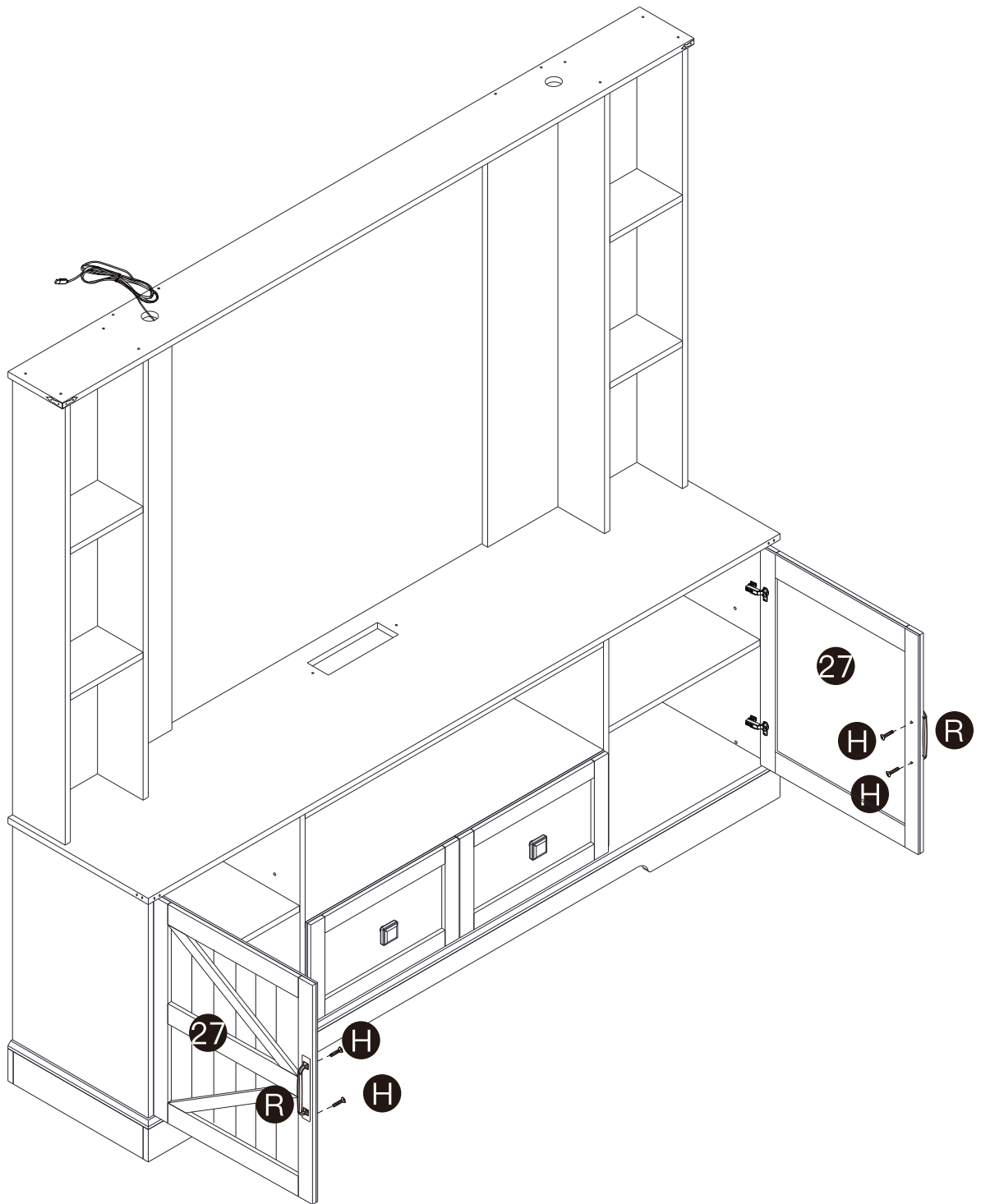
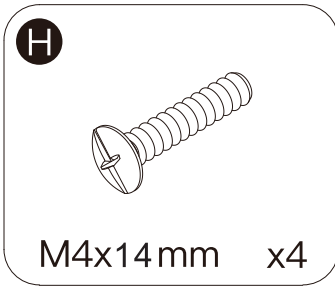
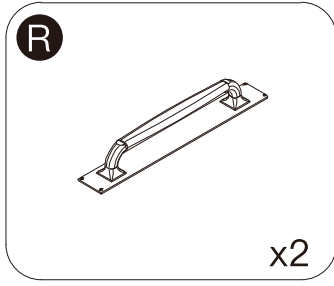


To adjust depth.  
Loosen screws "B" and adjust door, if the door can not be adjusted, please loosen screw "C", then try again. Tighten screw "B" and "C"



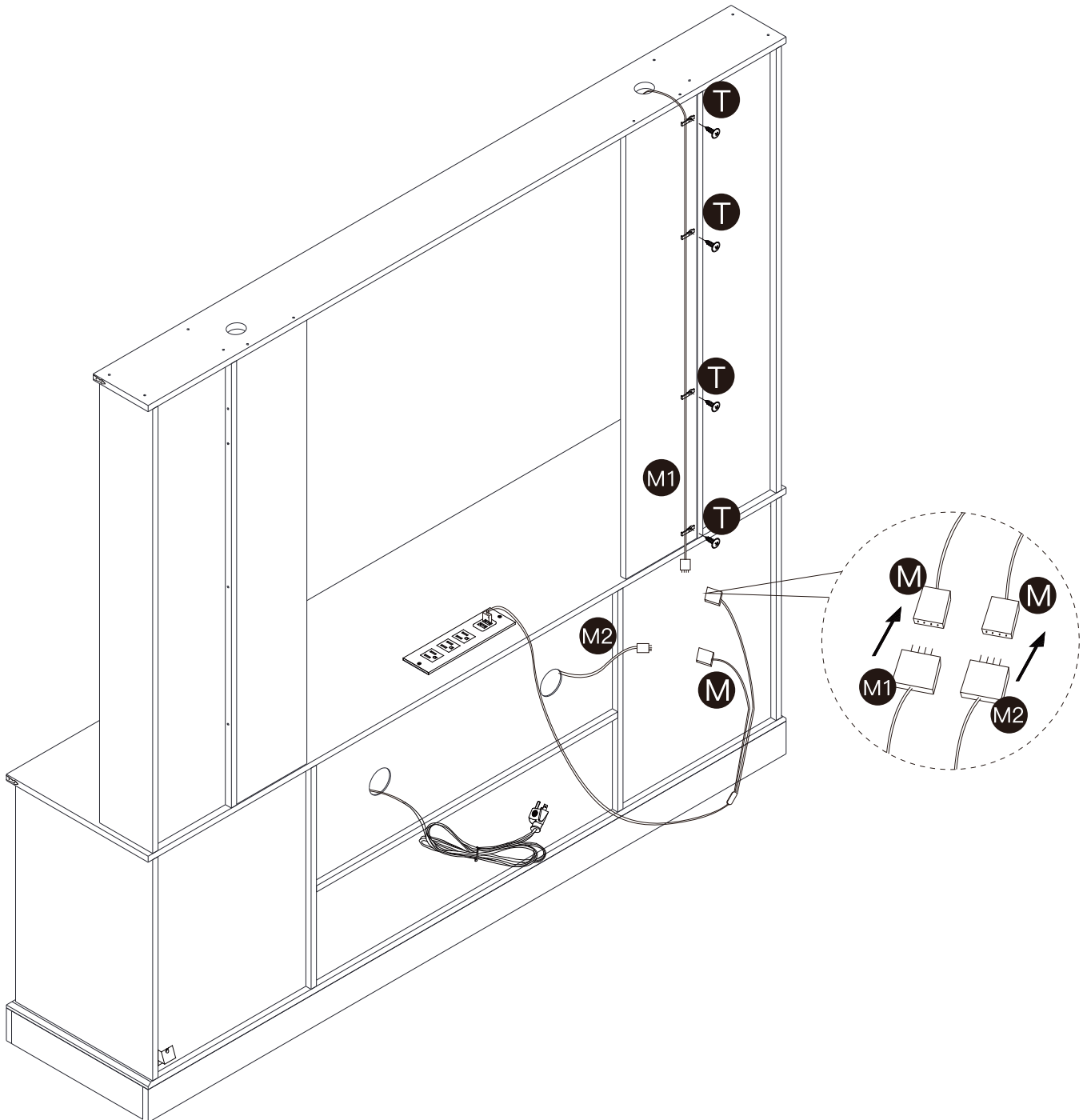
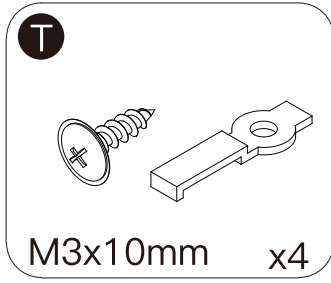
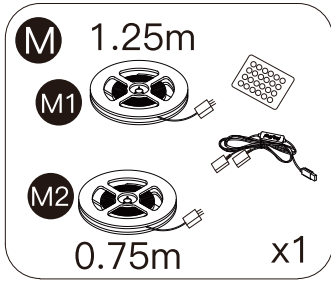
To adjust side ways.  
Turning the screw "C" on BOTH hinges on each door.

# STEP 34



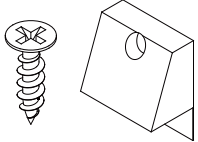


# STEP 36

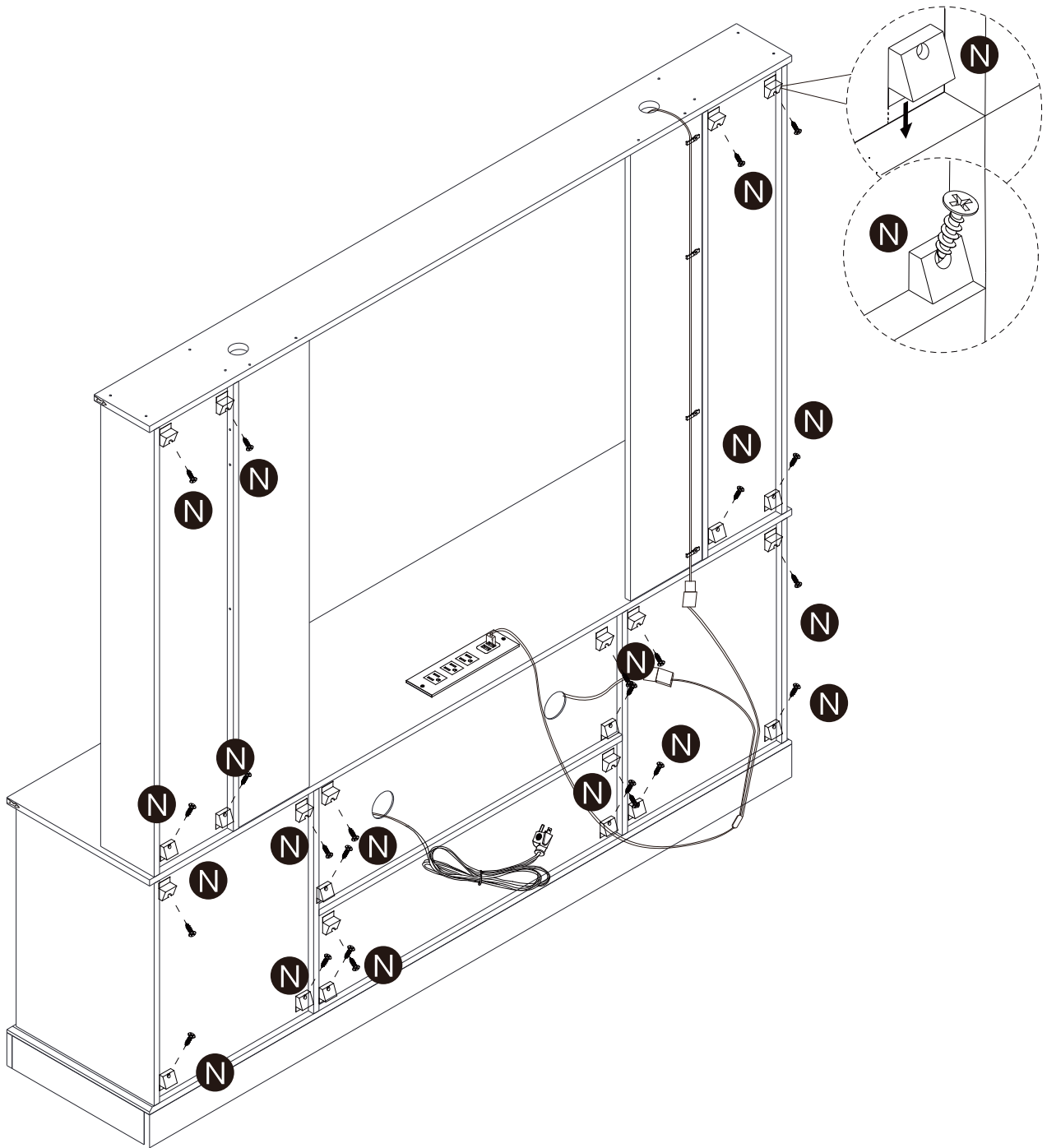


# STEP 37

N

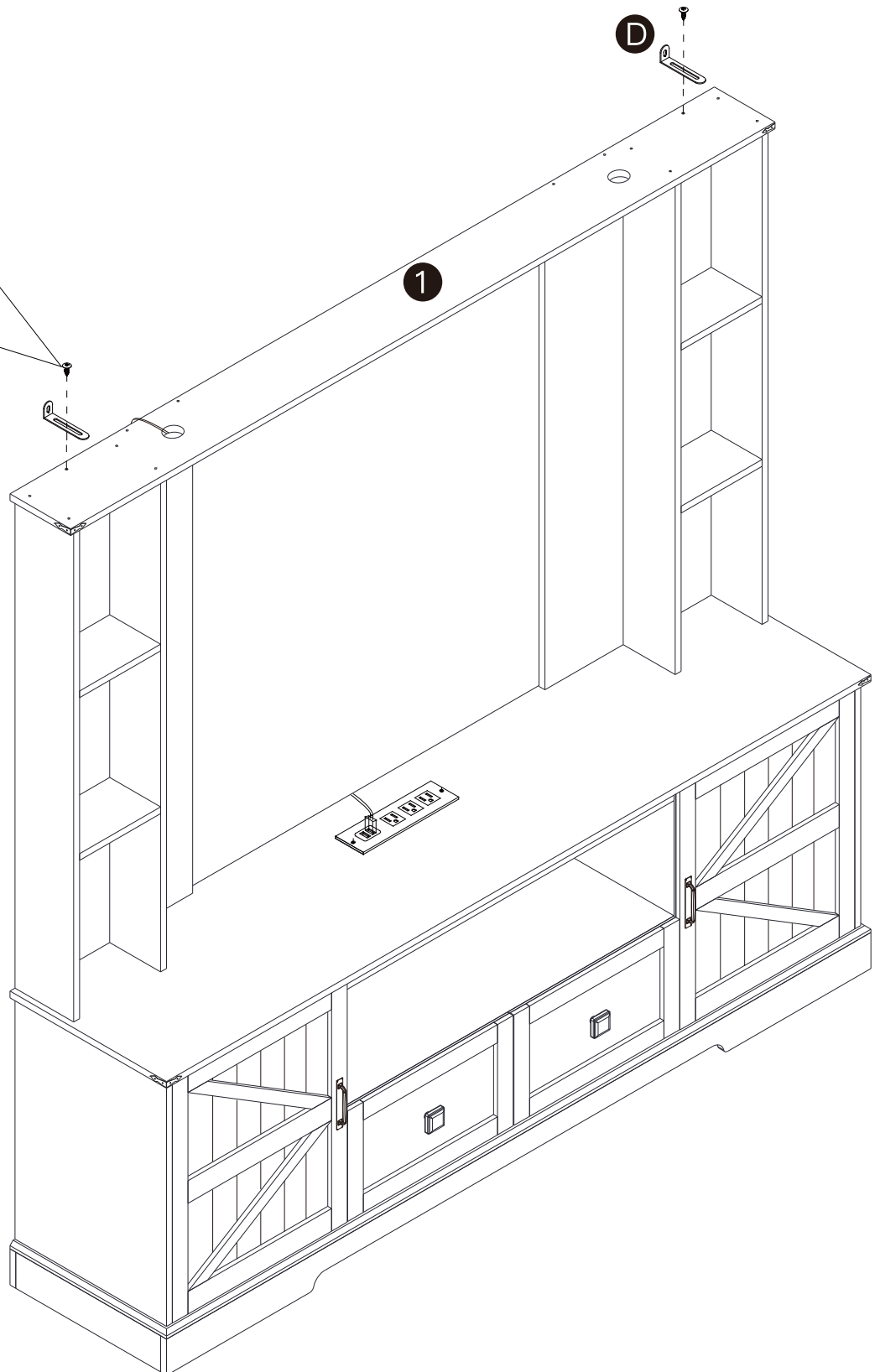
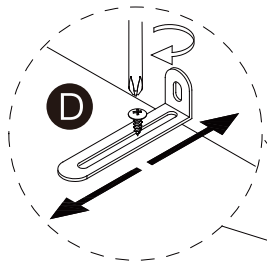
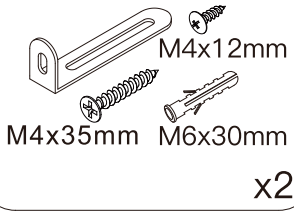


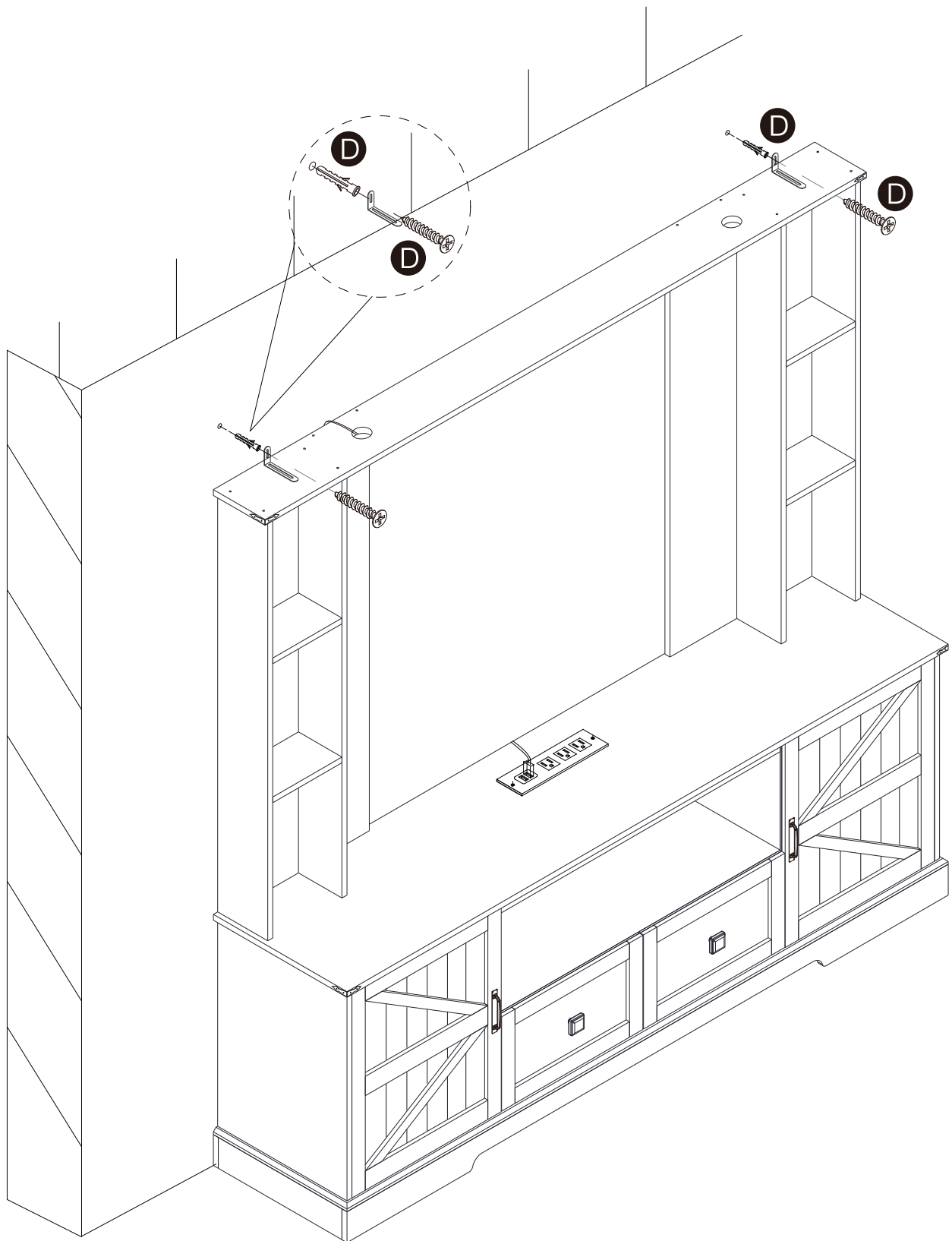
M3x16mm x24



# STEP 38

D





# AFTERSALE SERVICE

**Dear customer,**

Thank you so much for purchasing the product from us, we really appreciate your support.

We are aimed to provide the best shopping experience to our customers. We also want to build a mutually beneficial relationship with our customers, and step further to make our brand both reliable, responsible and recommendable.

We hope that our products could meet your needs and expectations, please consider us again if you need more products for your home and kitchen.

The package would be out of our control during shipping, please contact us through your purchasing channel directly if there is anything wrong with the box or contents. We are always here offering you our service.

We will reply your messages within 24 hours, please kindly wait for the response from our professional service team.

Your comfort and contentment are of utmost importance.

Best Regards,  
Customer Care Specialist