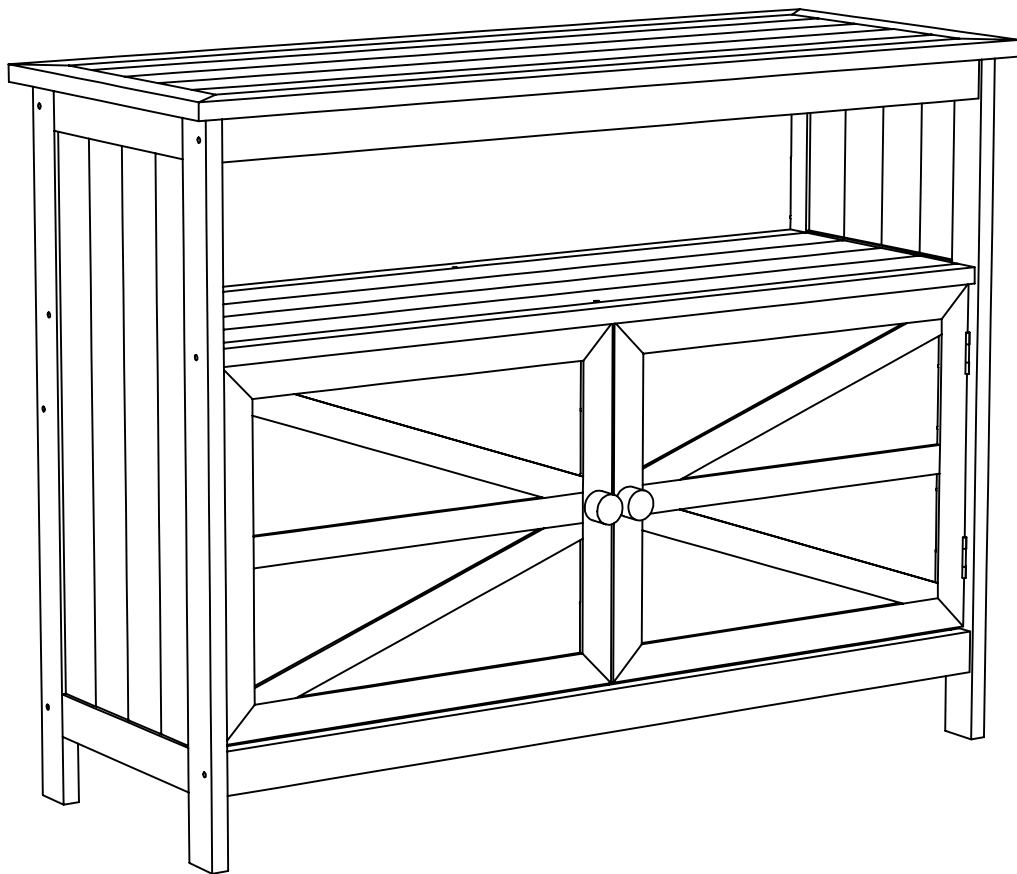
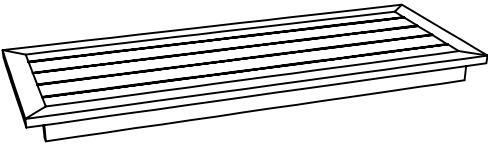
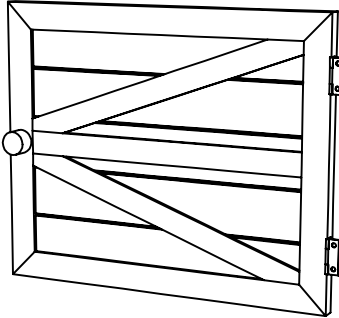
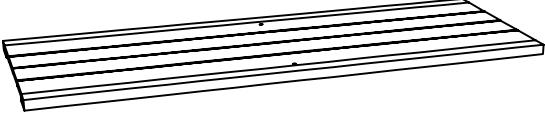
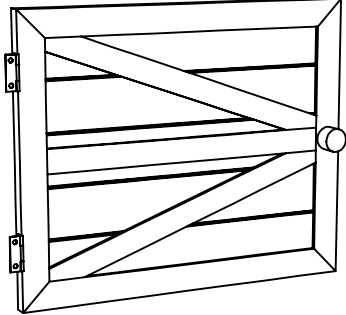
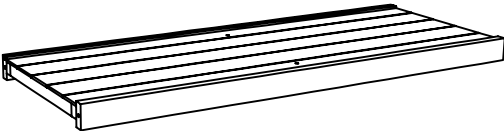
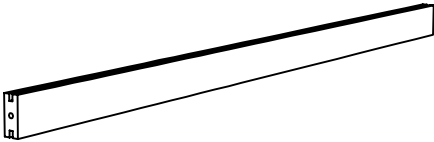
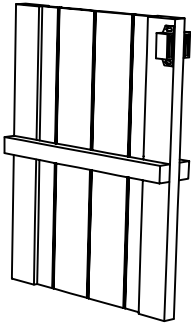

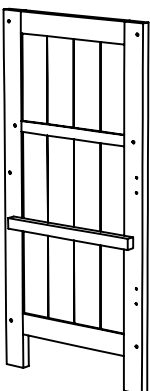
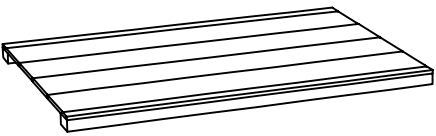
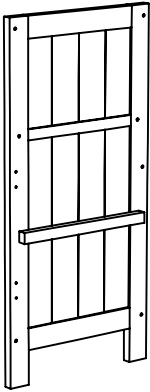


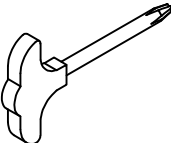
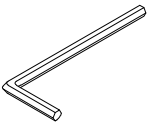
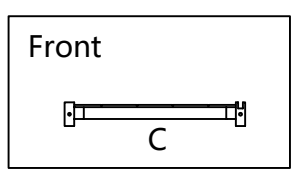
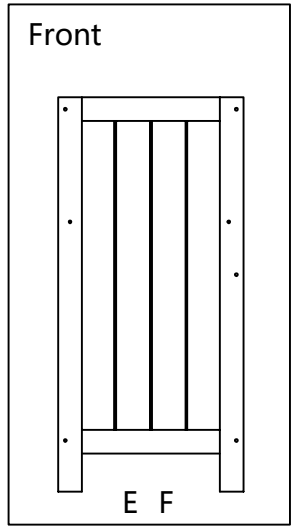
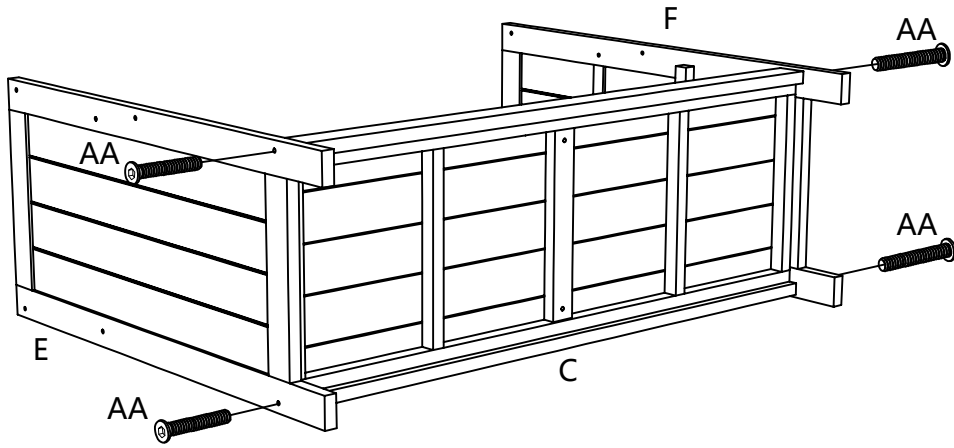


Outdoor Storage Cabinet

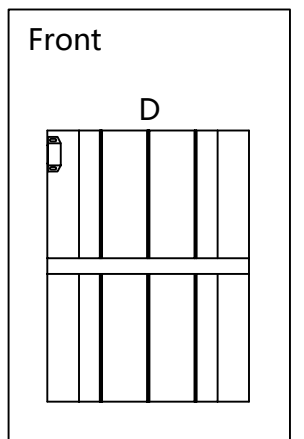
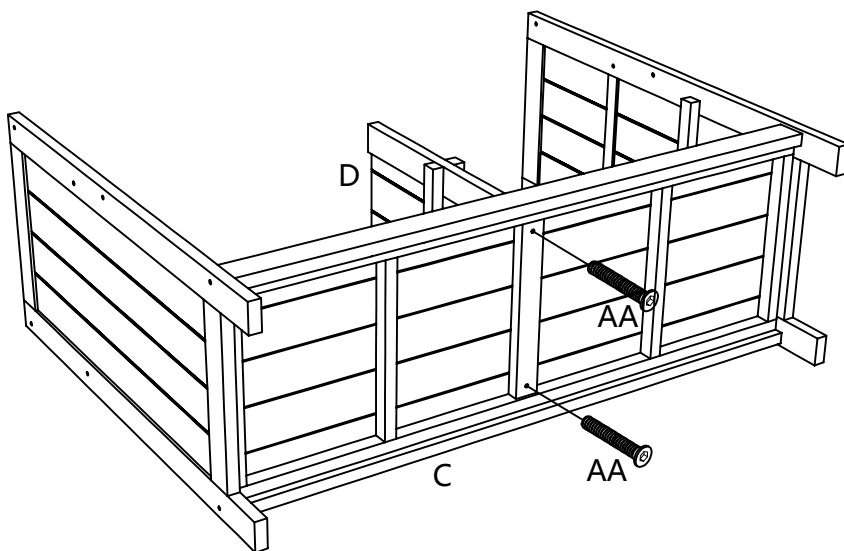


A		1PC	G		1PC
B		1PC	H		1PC
C		1PC	I		1PC
D		1PC	J		2PCS
E		1PC	K		2PCS
F		1PC	AA	 M6*40 Bolt	18PCS
			BB	 M4*15 Screw	8PCS
					

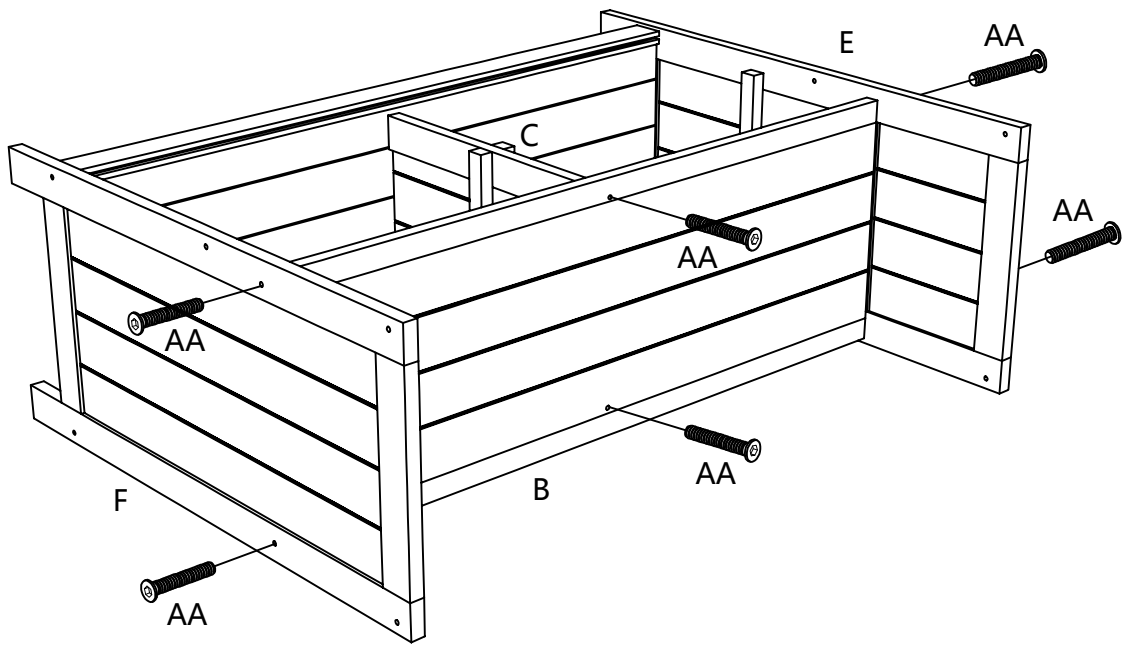
1



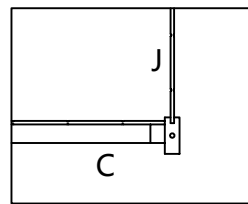
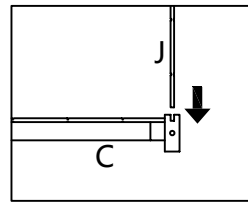
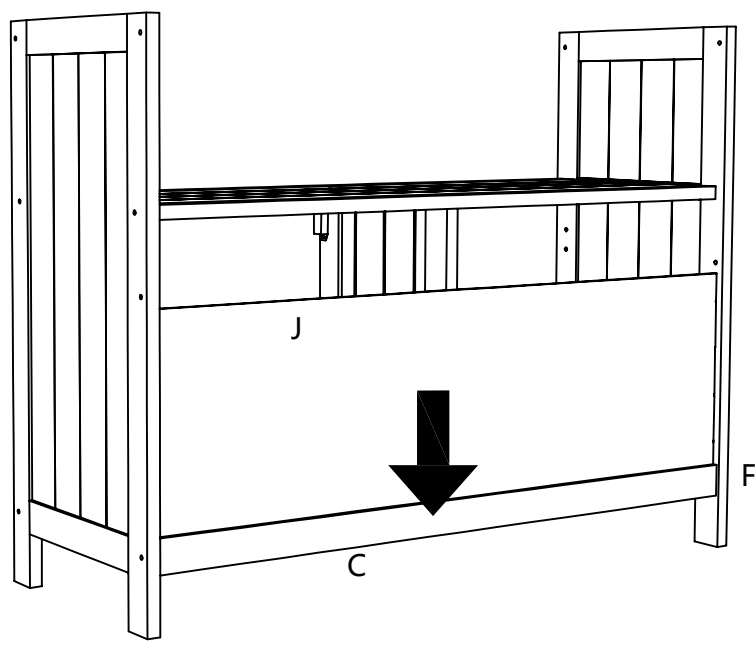
2



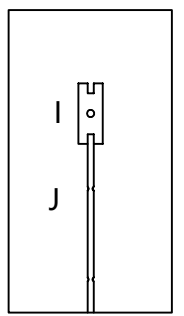
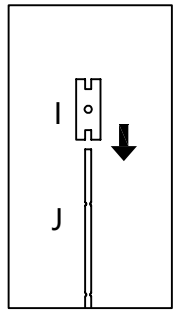
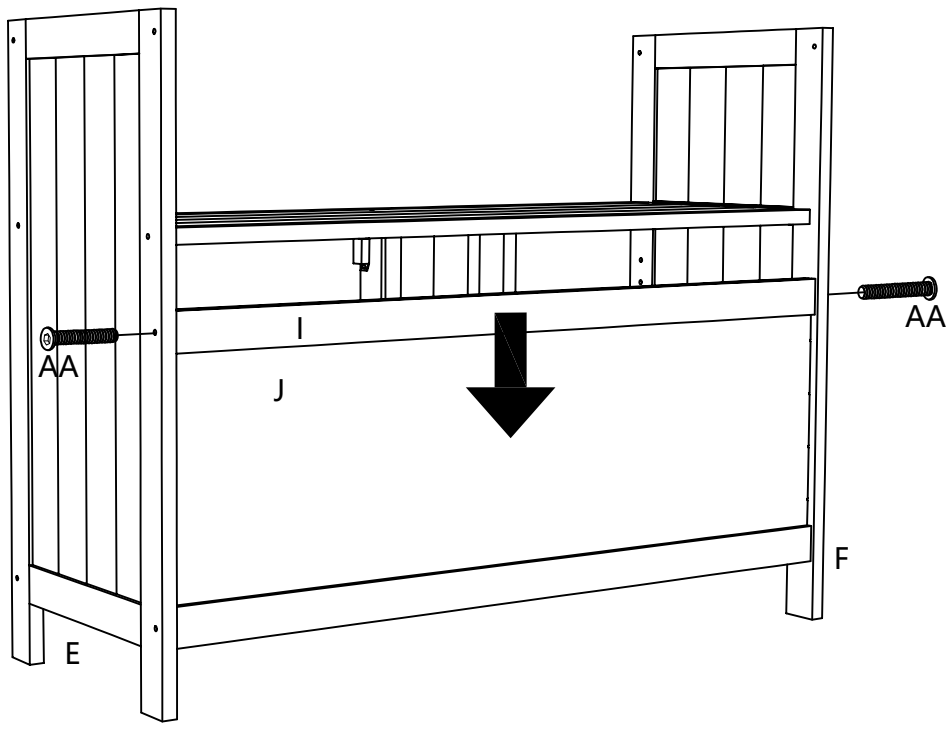
3



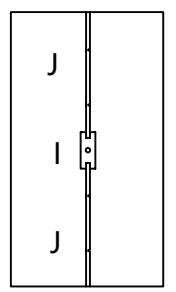
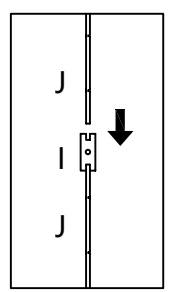
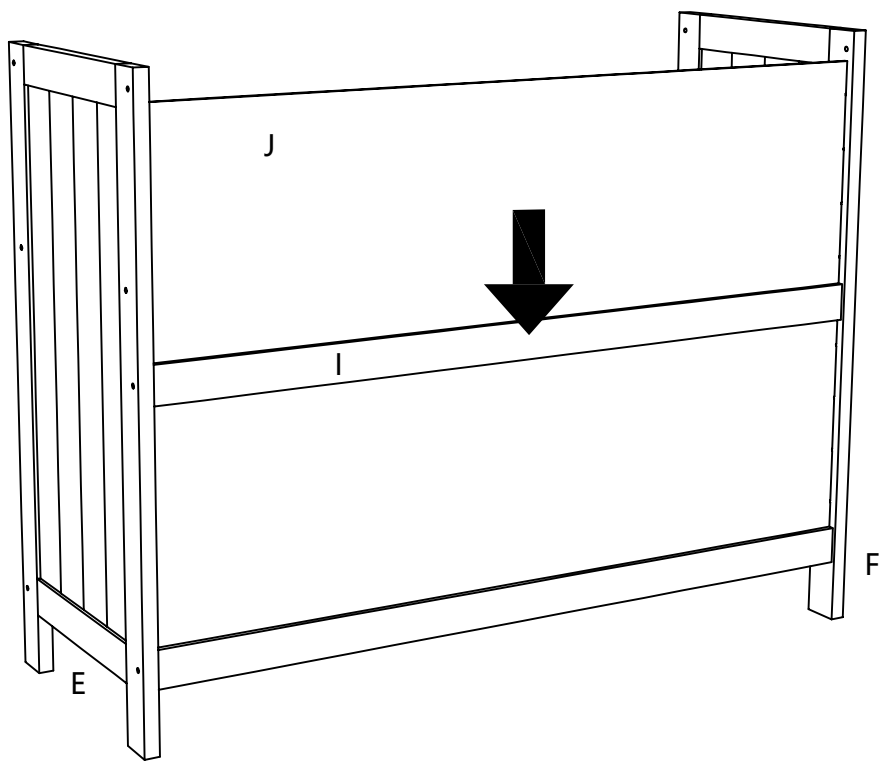
4



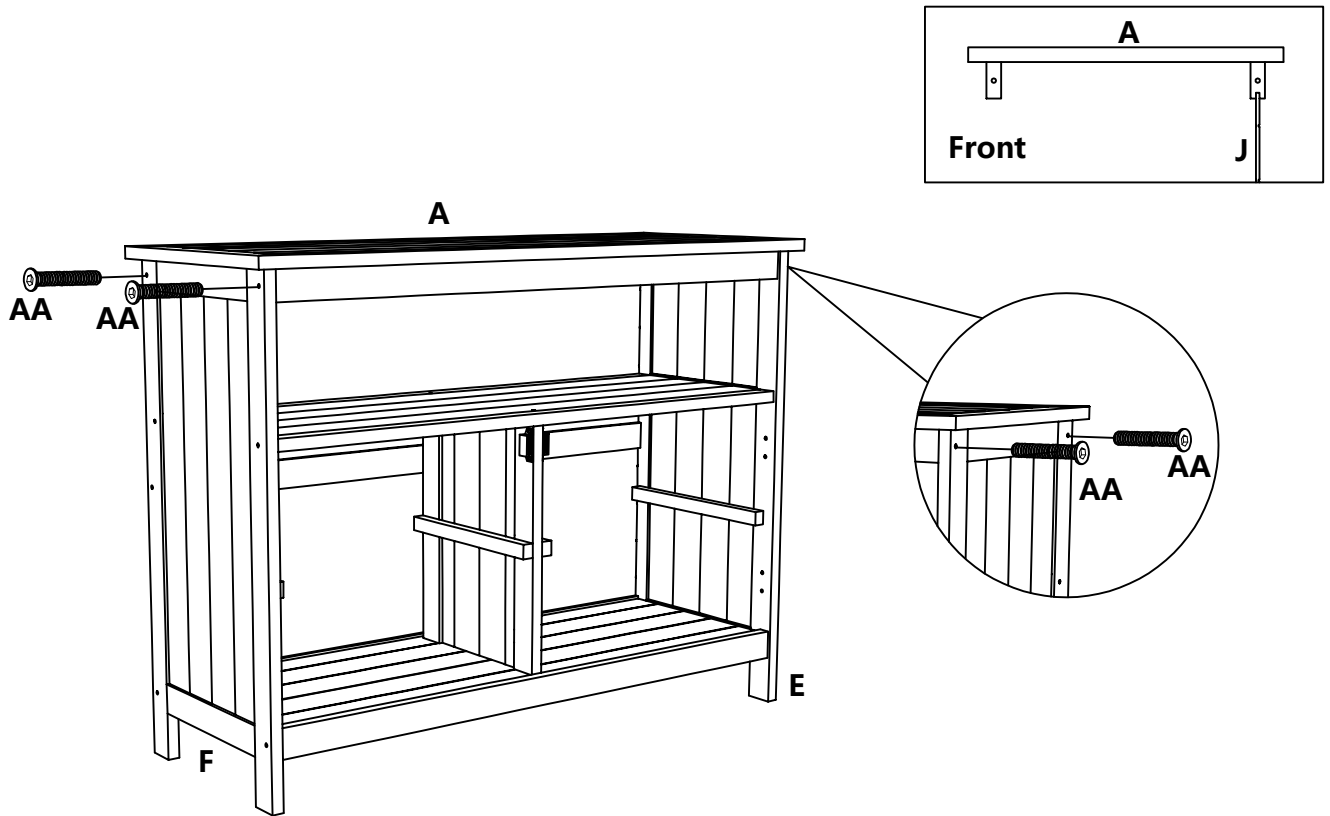
5



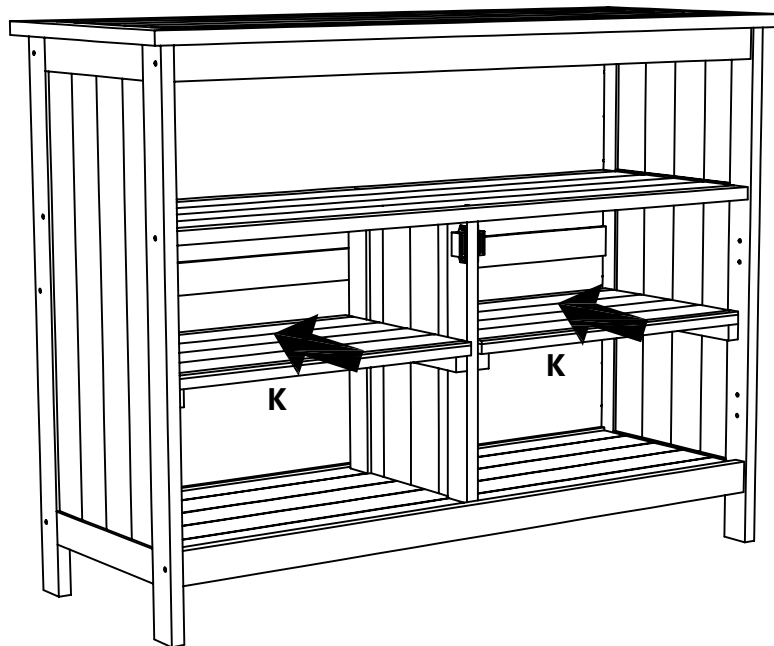
6



7

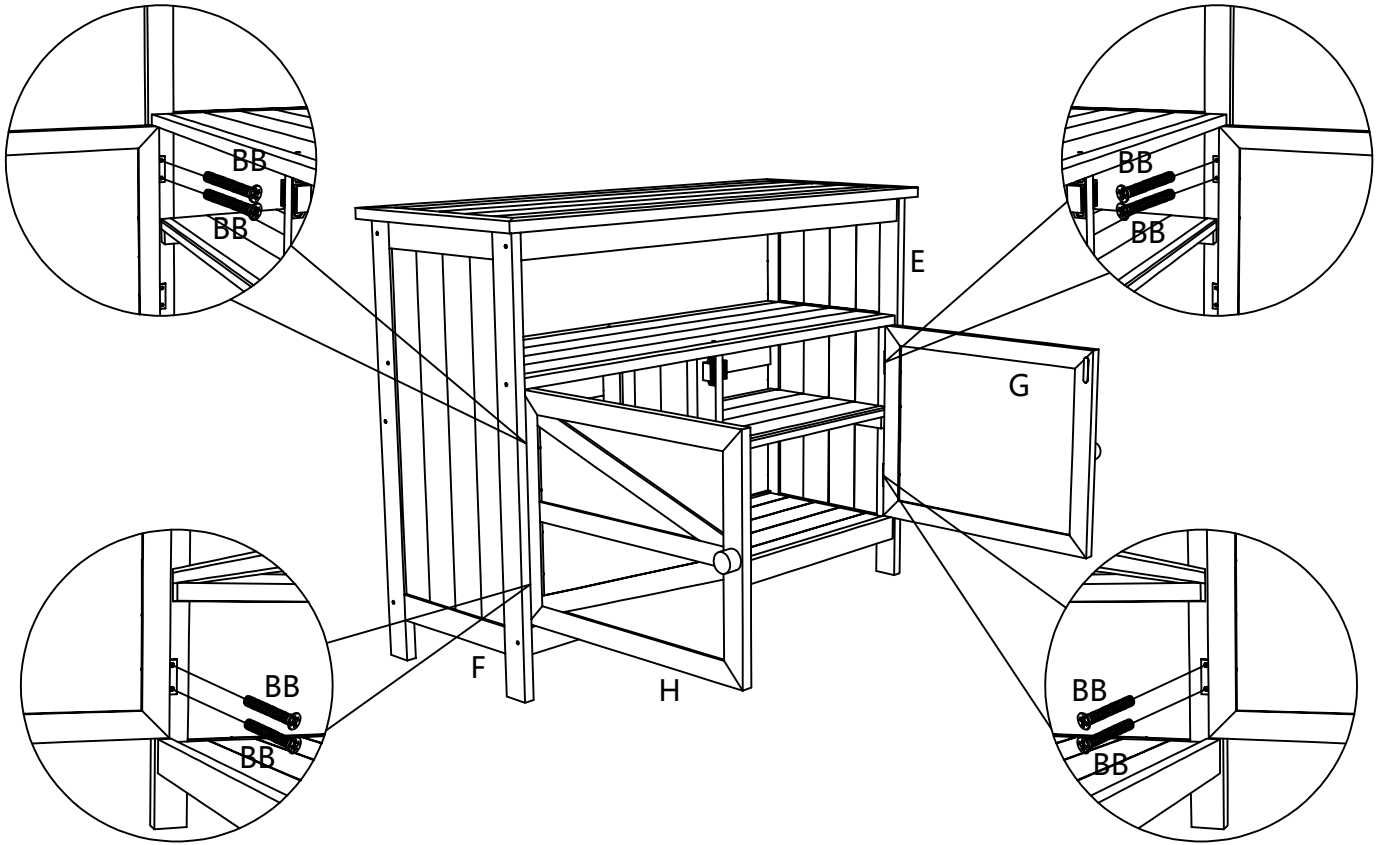


8



The K component can be placed flat and there is no need for screws.

9



10

