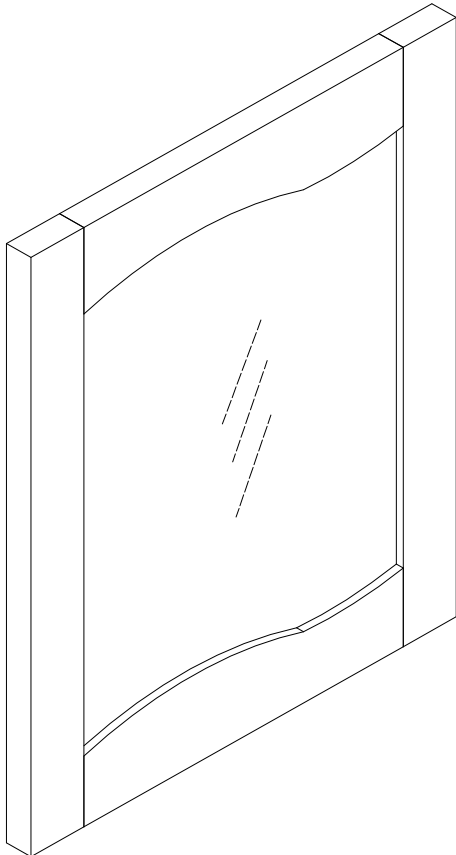


ASSEMBLY INSTRUCTIONS

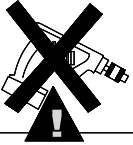
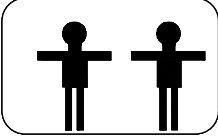

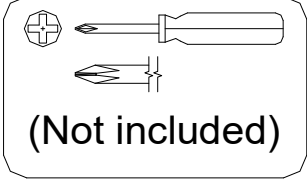
24" Mirror



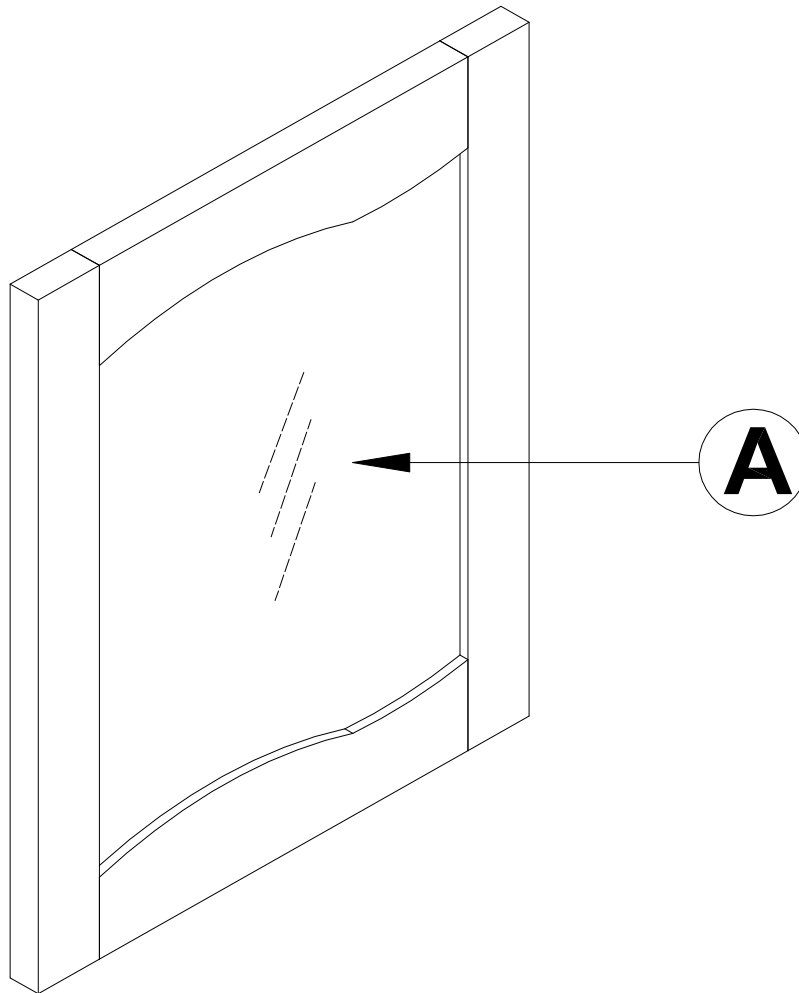
REPLACEMENT PARTS

Please do not contact the company purchased from as we can help you faster.

Order replacement parts and hardware at our website.

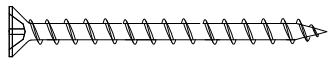
 <p>. Use of power tool to assemble this product will invalidate any claim and damage this product making it unsafe!!! . Please assemble on a clean soft surface to avoid damage.</p>	 <p>+</p>  <p>50 minutes</p>	<p><u>Tool Included</u></p>  <p>(Not included)</p>
--	---	---

Part List-24" Mirror



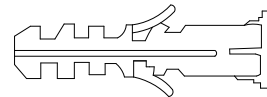
Identifying the hardware-Identify the hardware using the illustrations below.

B

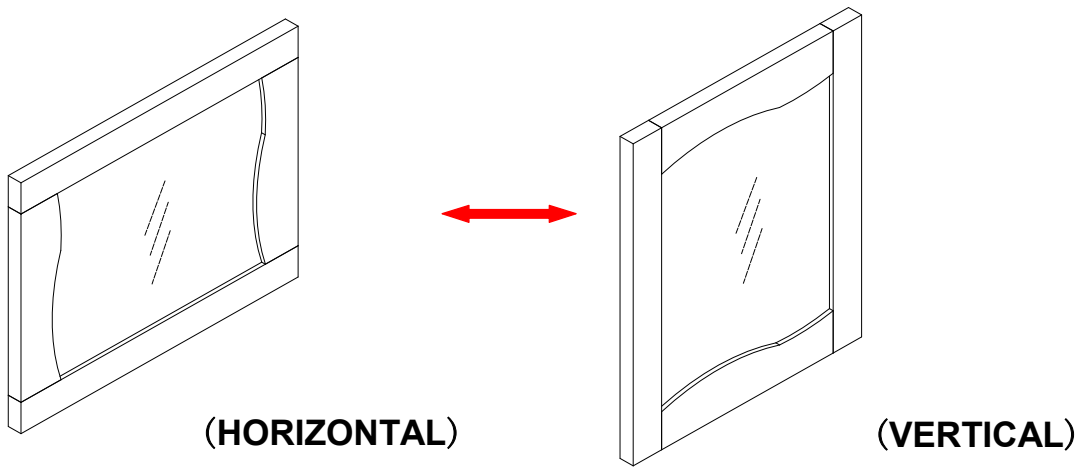


02

C



02



NOTE: THIS MIRROR CAN BE HUNG VERTICALLY OR HORIZONTALLY.

DETERMINE THE DESIRED DIRECTION YOU WANT THE MIRROR TO BE HUNG.

Step 1

**Measure the distance between the two holes of the key hole center.
Mark the desired location on the wall there you want to hang the mirror.**



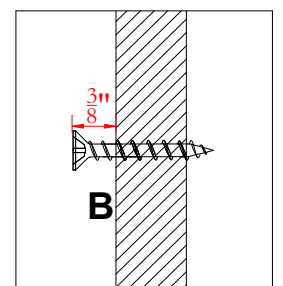
Step 2

Drill 1/8" pilot hole 2" deep. This marks location for screws to hang the mirror.

Step 3

If hole location is aligned with stud in the wall, secure the screws(B) directly into the stud.

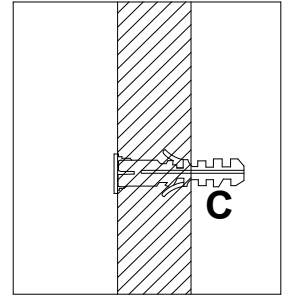
Note: Do not drive screws all the way in, have head of screws out about 3/8".



Step 4

If hole locations do not align with the stud, install the plastic anchors(C).

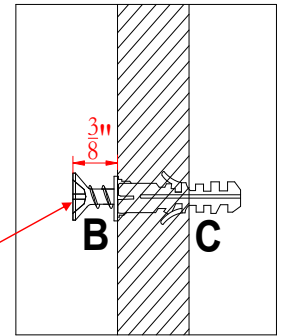
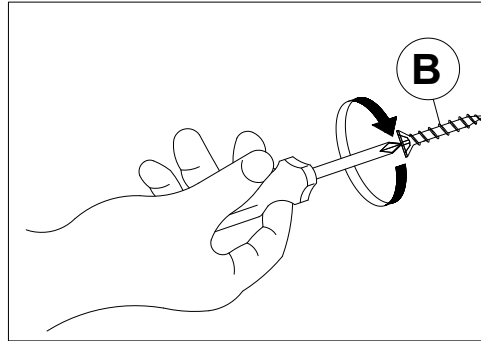
Tap the plastic anchors(C) into the drywall completely.



Step 5

Secure screws(B) into plastic anchors.

Note: Do not drive screws all the way in, have head of screws out about 3/8".



Step 6

Hang the mirror.

