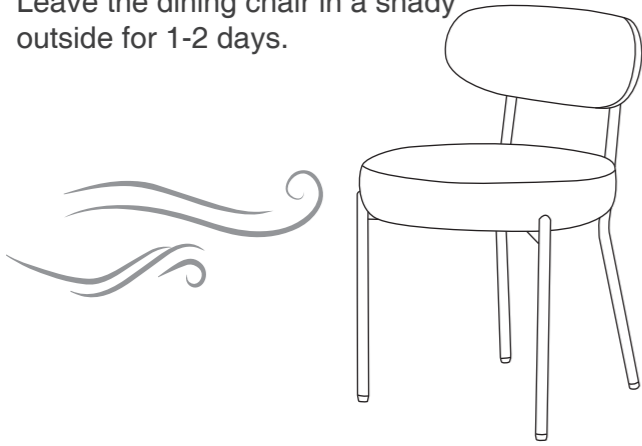
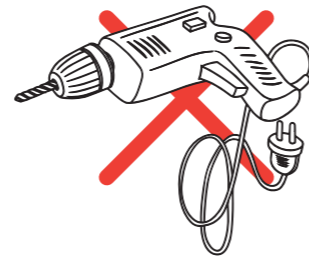
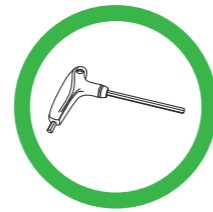


Leave the dining chair in a shady outside for 1-2 days.



For longer use

Re-tighten bolts every 6 months by using the enclosed allen-key.  
\*Using an electric drill can damage the chair.  
Please re-tighten bolts manually.



## Safety Information



Sit in the center of the chair, with your back to the backrest



Do not sit at the front edge of the chair



Do not stand on the chair



Do not use the chair with more than one person



Do not push the chair around when a person is sitting in it



Do not push down on the backrest when a person is reclined



Do not place all your weight on only the backrest

# INSTRUCTION MANUAL

Model: C-6209

✉ HJ-Customer-Service@outlook.com

☎ (909)637-7665 | (909)637-7593

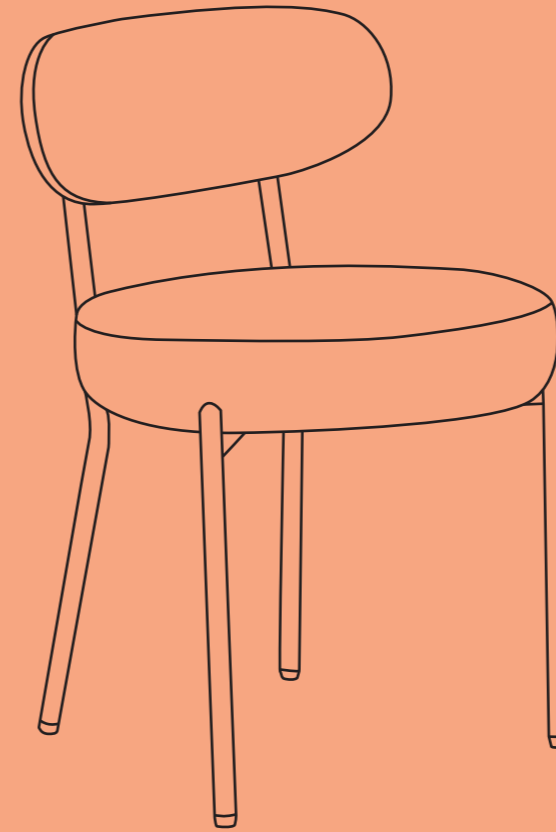
# INSTRUCTION MANUAL

## C-6209

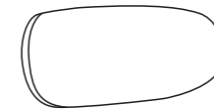
✉ HJ-Customer-Service@outlook.com

☎ (909)637-7665 | (909)637-7593

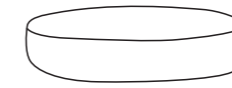
EST 9:00AM--17:00PM



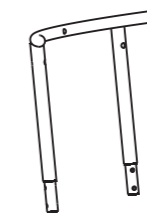
## Package List



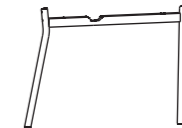
(A)\*1 Backrest



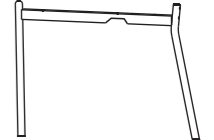
(B)\*1 Seat Cushion



(C)\*1 Backrest Frame



(D)\*1 Leg (2)



(E)\*1 Leg (1)



M6x47mm

(F)\*4 Bolts



M6x35mm

(G)\*2 Bolts



M6x30mm

(H)\*2 Bolts



M6x12mm

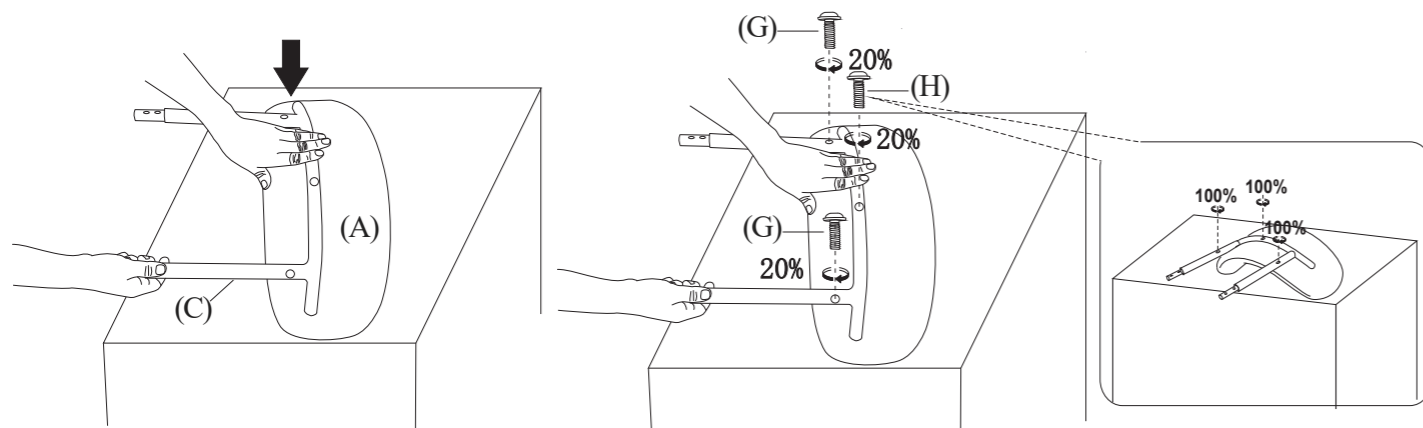
(I)\*4 Bolts



(J)\*1 Wrench

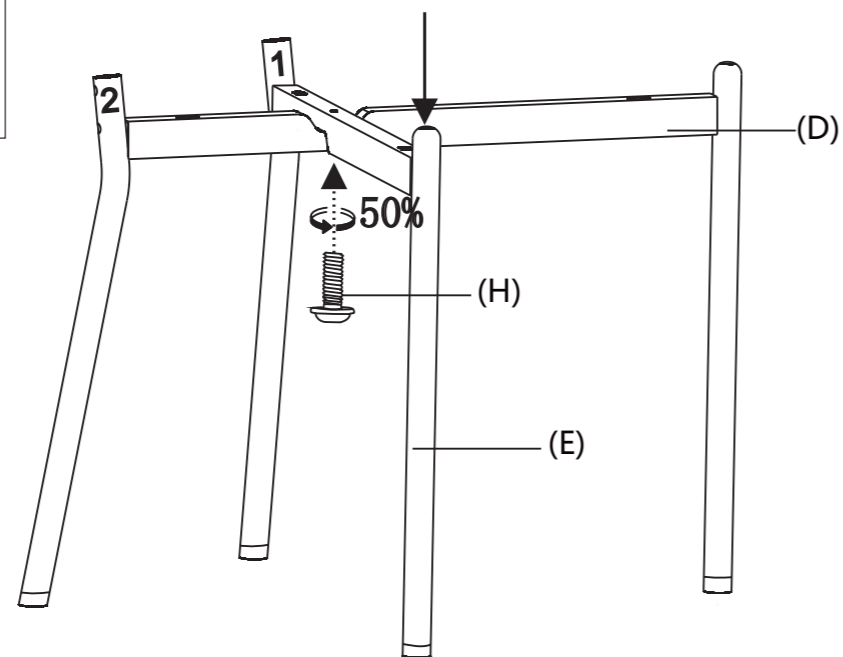
# Assembly Instruction

(G) 2pcs (H) 1pc (J) 1pc



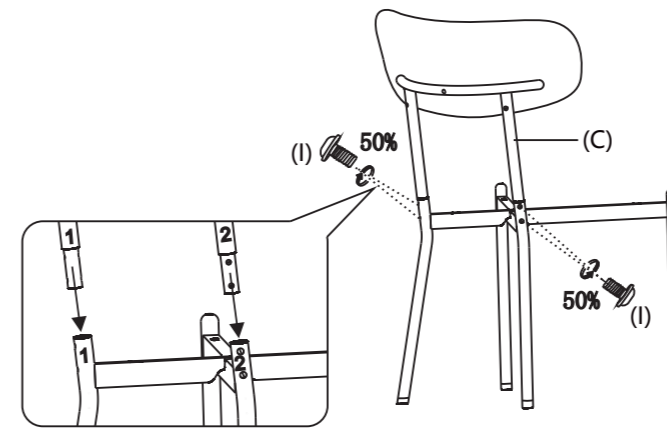
**1** Press down hard to fit Backrest Frame C and Backrest A, then align the holes to fix the Bolt H then Bolts G\*2. First tighten 20% then tighten 100%.

(H) 1pc (J) 1pc



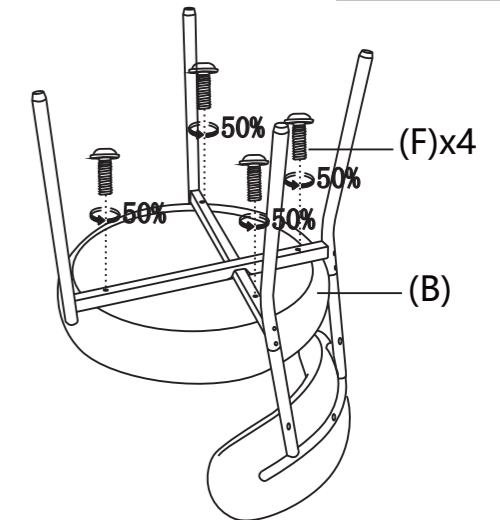
**2** **NOTE:** The bolts are only tightened 50%.

(I) 4pcs (J) 1pc

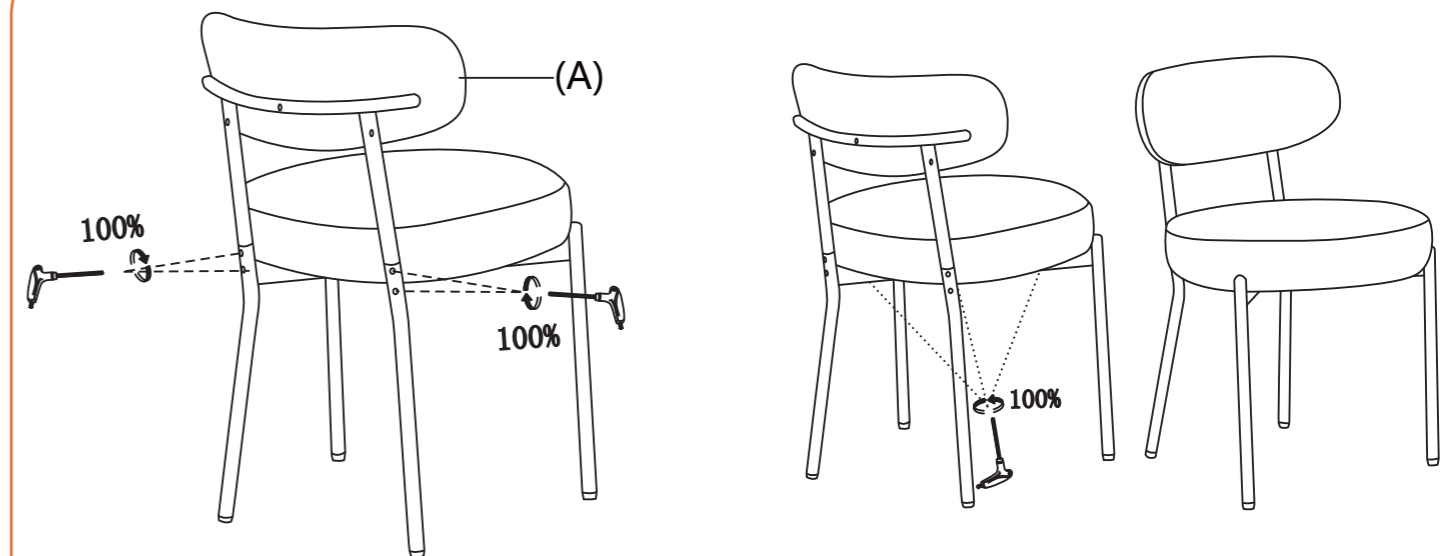


**3** **NOTE:** The bolts are only tightened 50%, When installing; please match the numbers on the backrest and legs.

(F) 4pcs (J) 1pc



**4** **NOTE:** The bolts are only tightened 50%.



**5** **NOTE:** Tighten all bolts 100% tightly.

## CAUTION:

- \* Before using the chair, check to ensure that all bolts are fully tightened.
- \* Lubricate all parts and tighten all bolts every 6 months or whenever needed.

**NOTE:** 1. All bolts are 100% tightened.