

ASSEMBLY INSTRUCTIONS

VINTNER ROUND DINING TABLE

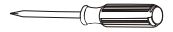
ASSEMBLY
REQUIREMENTS:

2-Person
Assembly

45 Minutes
Assembly Time
Per Chair
(Approximate)

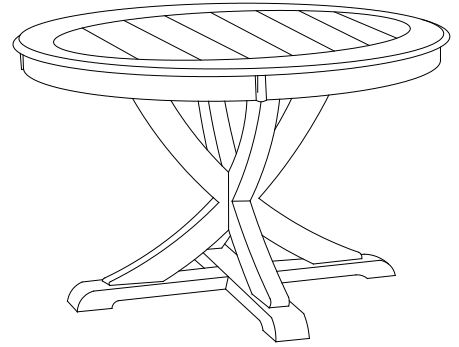
Tools Required:
(Not Provided)

Phillips
Screwdriver



Thank you for purchasing our product!

Please refer and use this assembly instruction to assemble the product. Contact our customer service department in case there are any missing or damage parts or hardware. Replacement parts are normally shipped within 2 or 3 days.



We appreciate your business!

ASSEMBLY PREPARATION

1. Remove all packaging materials, staples and packing straps from the carton.
2. Refer to Parts List and Hardware List and ensure they are complete before you start assembling.
3. Place all wooden parts on a clean, flat and soft surface (e.g. carpet or rug) to prevent parts from getting scratched.

SAFETY PRECAUTION:

1. KEEP ALL HARDWARE PARTS OUT OF REACH OF CHILDREN.
2. DISPOSE PLASTIC PACKAGING MATERIAL IMMEDIATELY TO AVOID ANY RISK OF SUFFOCATION TO CHILDREN AND ANIMALS.

TIPS FOR ASSEMBLY:

1. Allow ample room for assembly and in close proximity to where product will be placed.
2. Assemble the product on a surface that does not scratch or damage the exterior gloss and finish of the furniture.
3. Please check all of the parts and quantities are included before assembly. Contact customer service for missing parts.
4. Identify all of the parts, hardware and quantities required for each step.
5. During assembly, do not over-tighten any fittings as this may cause damage.
6. DO NOT USE POWER TOOLS TO ASSEMBLE THIS PRODUCT.
7. Always place the product on a flat surface.
8. Do not sit or stand on the partially assembled product; only use the product for which it is intended.





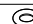


CARE AND MAINTENANCE

- Use a slightly damp cloth to clean the product. Do not use bleach or abrasive cleaning material.
- Check all the fittings periodically and re-tighten as necessary. Do not use the product if any of the parts is damaged or broken.
- Never allow any kind of liquid to remain on your furniture. Absorption can cause wood to warp or delaminate.
- Do not place hot items (e.g. hot drinks) directly onto the wood surface.
- Do not drag and/or pull the furniture.

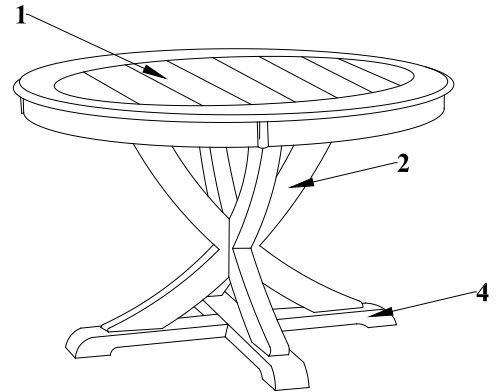
This product is for indoor and household use only - not for commercial use.

ASSEMBLY INSTRUCTIONS

VINTNER ROUND DINING TABLE

HARDWARE LIST				
No	Description	Qty	Extra	
A	Jcbb Screw M8 x 60mm 	8 Pcs	1 Pc	
B	Jcbb Screw M8 x 50mm 	4 Pcs	1 Pc	
C	Spring Washer $\frac{5}{16}$ " 	12 Pcs	2 Pcs	
D	Flat Washer $\frac{5}{16}$ " 	12 Pcs	2 Pcs	
E	Jcbc Screw M6 x 35mm 	2 Pcs	1 Pc	
F	Spring Washer $\frac{1}{4}$ " 	2 Pcs	1 Pc	
G	Flat Washer $\frac{1}{4}$ " 	2 Pcs	1 Pc	
H	CSK Screw M4 x 38mm 	8 Pcs	1 Pc	
I	Adjustable Glide M6 x 20mm 	4 Pcs	2 Pcs	
J	Allen Key M5 	1 Pc		
K	Allen Key M4 (Short) 	1 Pc		

PART LIST		
No	Description	Qty
1	Table Top	1Pc
2	Table Leg	2Pcs
3	Mounting Plate	2Pcs
4	Base Leg	2Pcs

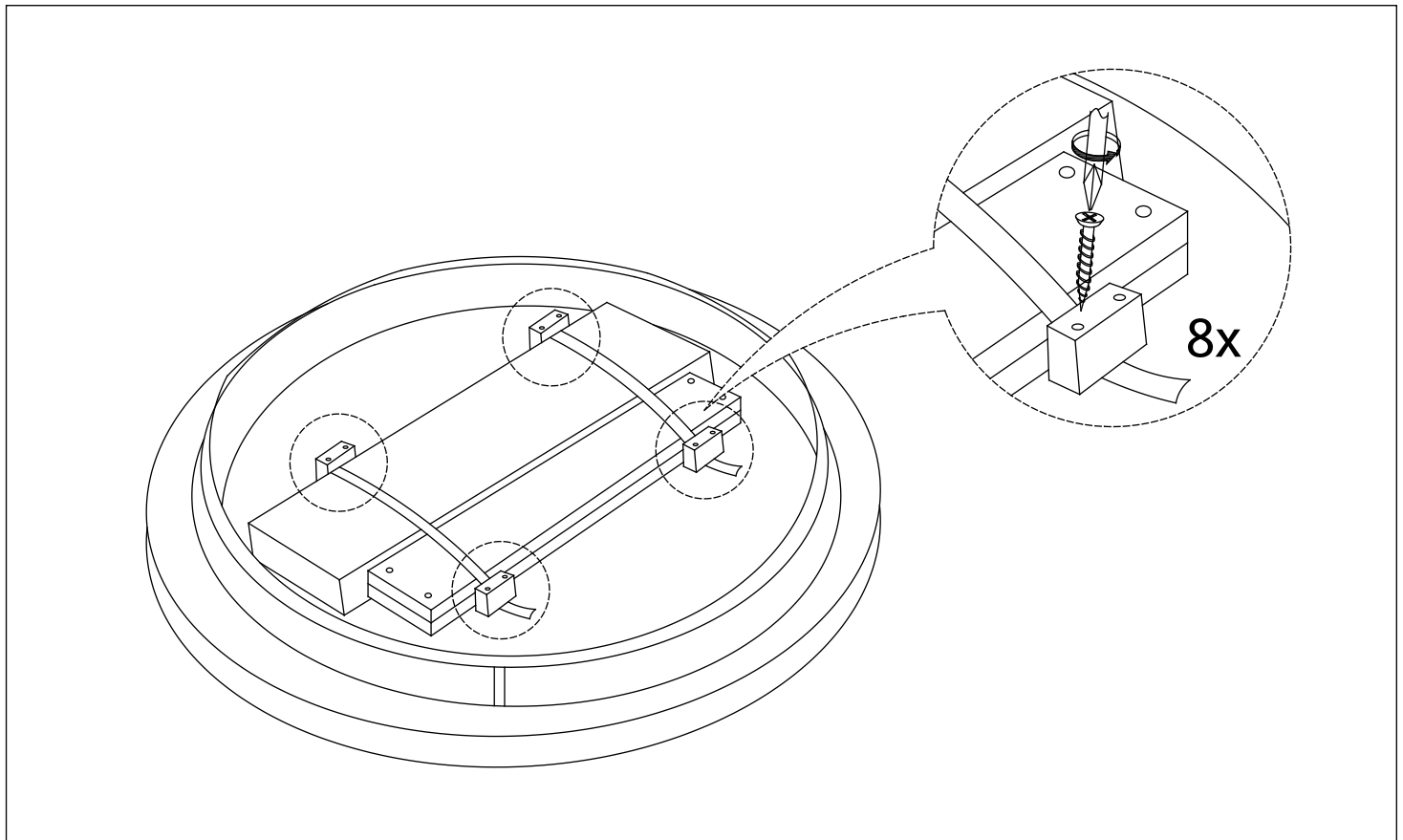


*Extra Hardware For Spare Use

PARTS UNPACKING INSTRUCTIONS

The parts and hardware are packed on the bottom-side of the table top. To unpack the parts and hardware;

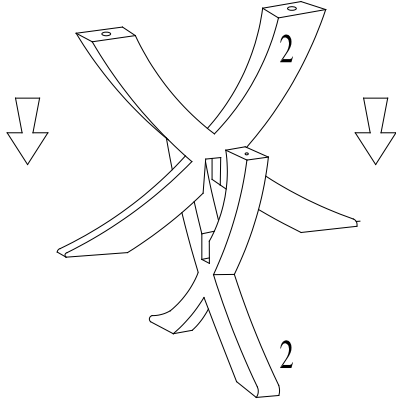
- a) With assistance, lay Table Top (1) flat with the bottom-side facing up on a material that does not scratch or damage the part.
- b) Use a Phillips screwdriver to unscrew completely the 4 wood blocks holding the straps that secure and keeping the 2 packages in place.
- c) The wood blocks and straps are not used in the assembly of the table and may be discarded.



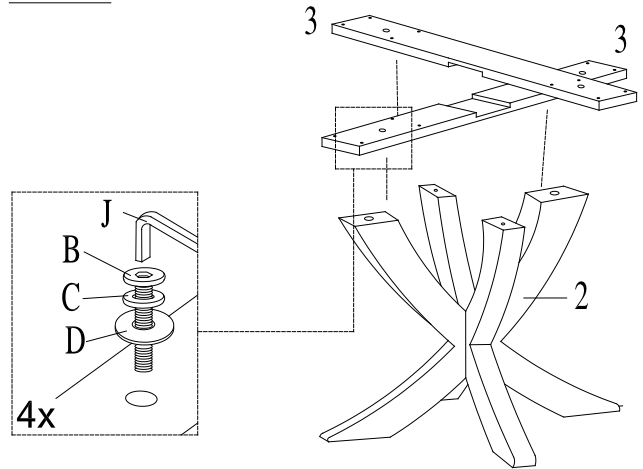
ASSEMBLY INSTRUCTIONS

VINTNER ROUND DINING TABLE

STEP1



STEP2

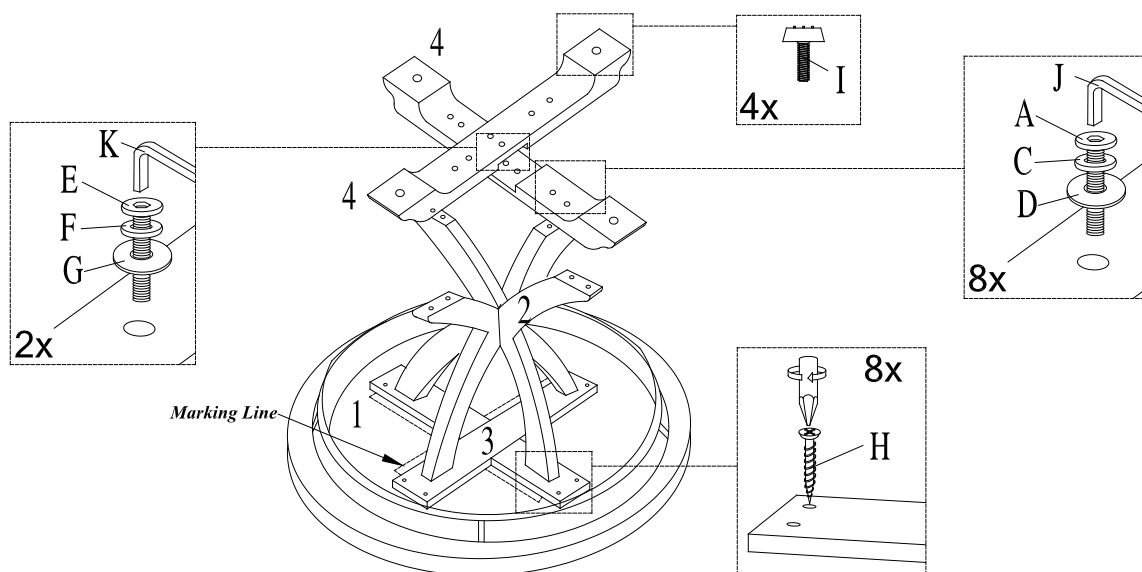


On a flat surface, place Table Legs (2) perpendicular to each other mating the half-lap joint as shown.

- Place Mounting Plate (3) across Table Leg (2) and perpendicular to each other mating the half-lap joint as shown..
- Align the pre-drilled holes on (3) to the pre-drilled holes on (2).
- Use Allen Key (J) to drive JCBB Screw (B) fitted with Spring Washer (C) & Flat Washer (D) to fasten (3) to (2) -- do not fasten completely until all JCBB Screws (B) are in place.

ASSEMBLY INSTRUCTIONS VINTNER ROUND DINING TABLE

STEP 3



STEP 3A

- Place the Table Top (1) bottom-side faced up on a surface that does not scratch or damage the exterior gloss and finish.
- Place the assembly from Step 2 with the Mounting Plate (3) to the marking line on the bottom-side of (1) and fasten with CSK Screw (F). Do not fasten completely until all of (F) are in place.

STEP 3B

- Place Base Leg (4) across Table Leg (2) and perpendicular to each other mating the half-lap joint as shown.
- Align the pre-drilled holes on (4) to the pre-drilled holes on (2). Use Allen Key (J) to drive JCBB Screw (A) fitted with Spring Washer (C) & Flat Washer (D) to fasten (4) to (2) -- do not fasten completely at this time.
- Fasten Base Leg (4), at the perpendicular intersection use Allen Key (K) to drive JCBB Screw (E) fitted with Spring Washer (F) & Flat Washer (G).
- Use Allen Key (K) to fasten the Screws (E) and Allen Key (J) to fasten all of the Screws (A) completely at this time. Do not over-tighten.
- Use hand to Screw in Adjustable Glide (I) into each Table Leg (2).
- The assembly of the table is completed. With the help of another person, place the table up-right.