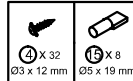
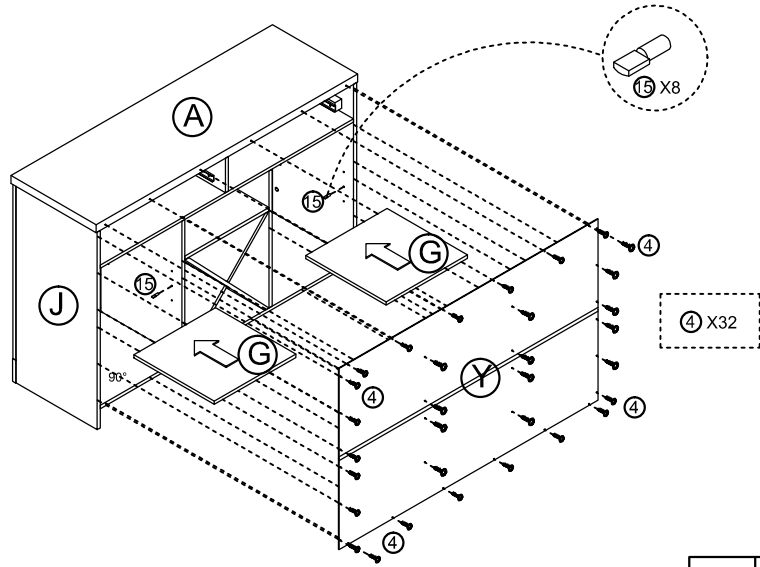
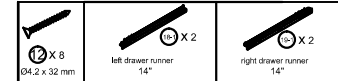
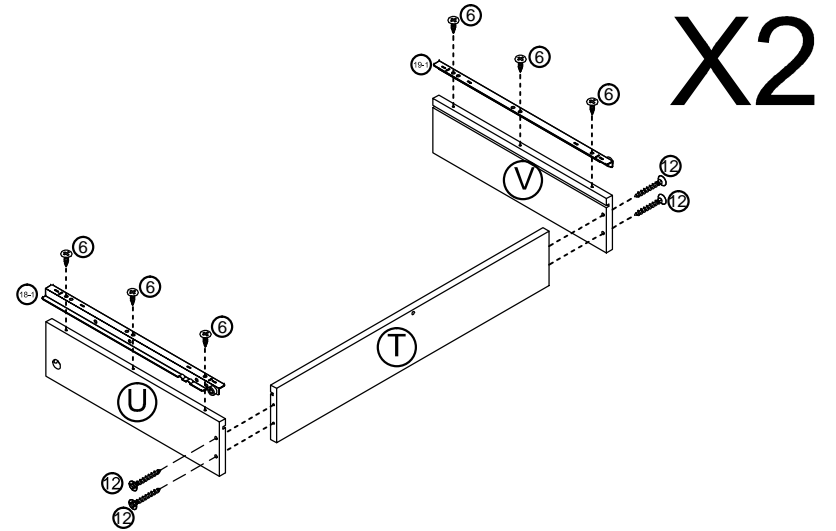


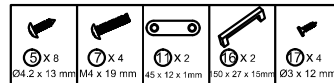
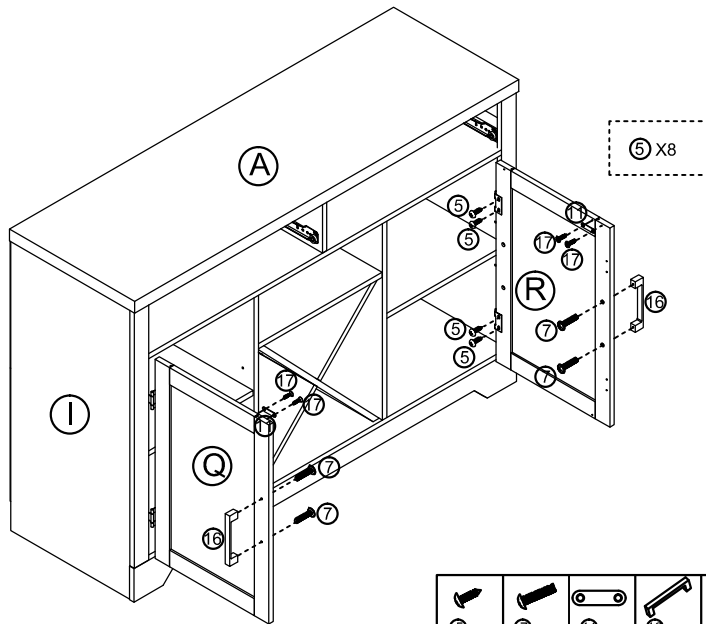
13



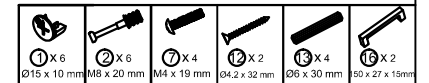
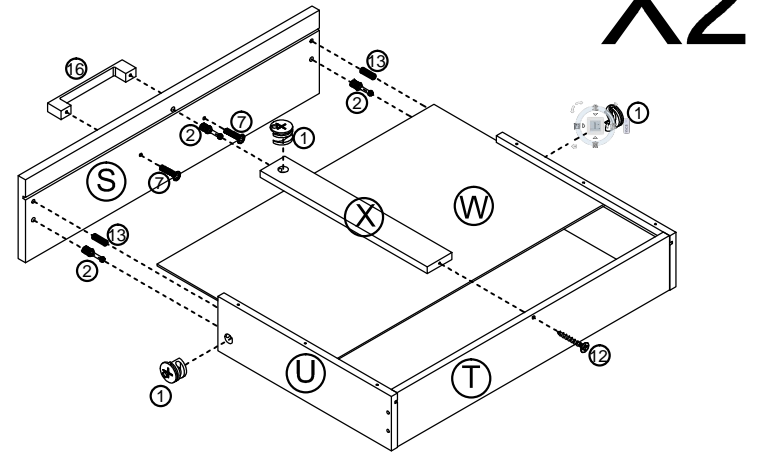
15

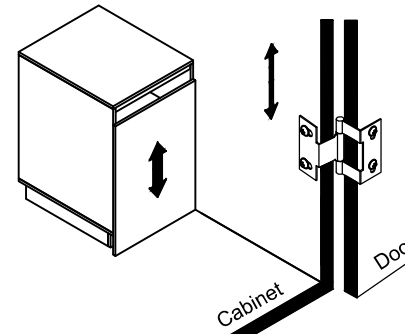
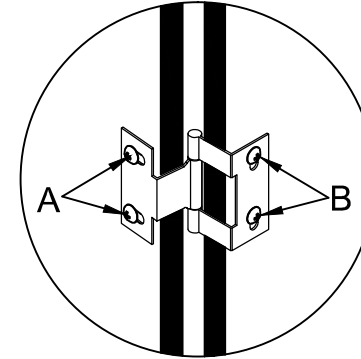
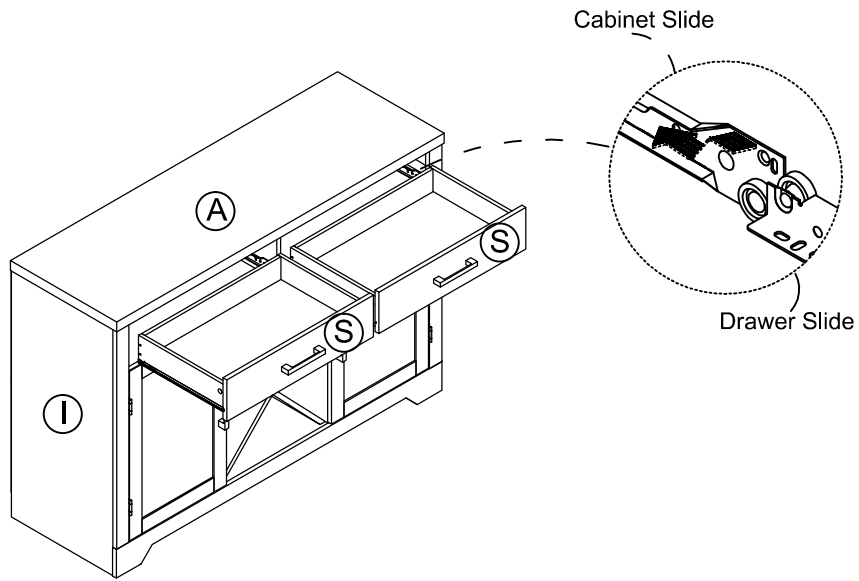


14

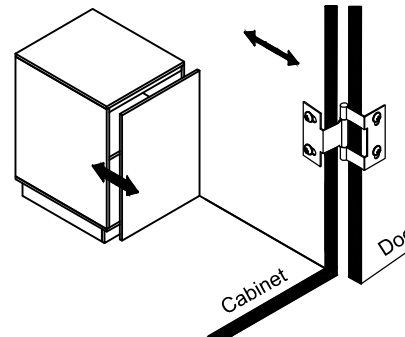


16





To adjust the vertical height.
Loosen screw "B" and adjust door.
Tighten screw "B".



To adjust depth.
Loosen screw "A" and adjust door.
Tighten screw "A".