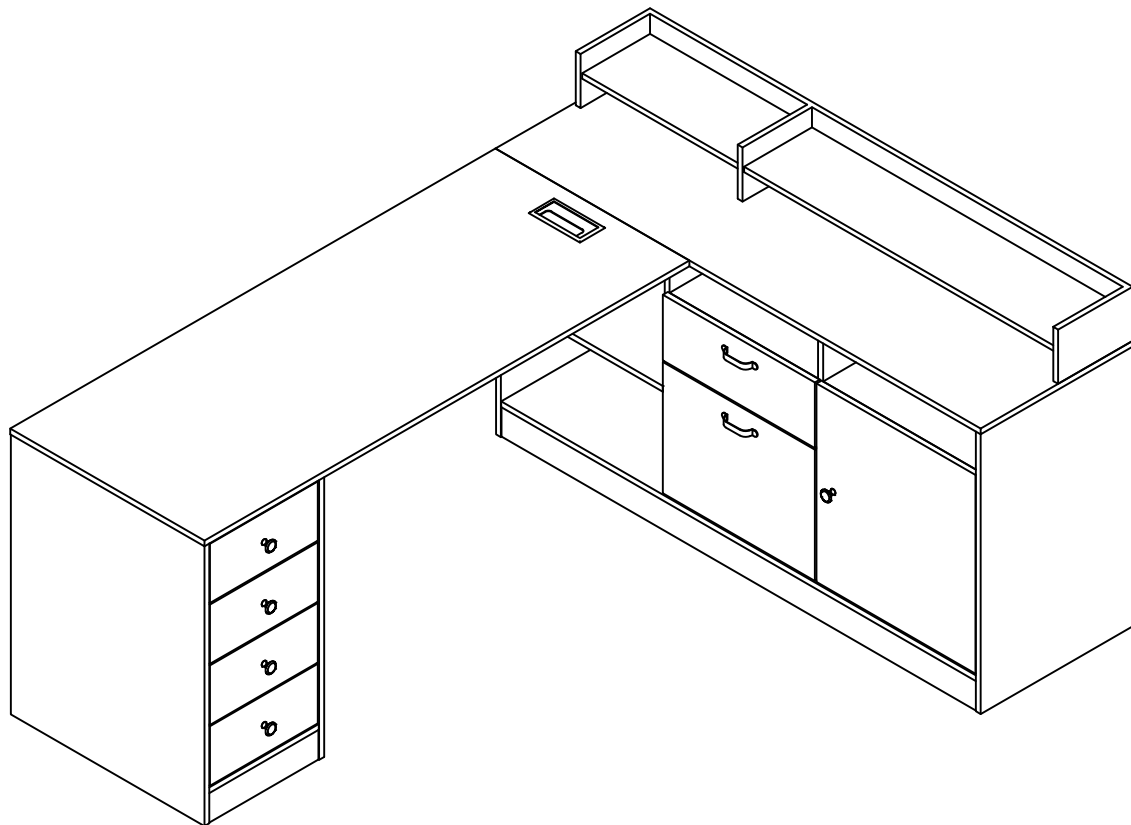


# PRODUCT INSTRUCTION



# WARNING

Serious or fatal crushing injuries can occur from furniture tip-over. To help prevent tip-over.

- Place heaviest items in the lowest drawers.
- Do not set TVs or other heavy objects on the top of this product.
- Never allow children to climb or hang on drawer, door, or shelves.
- Never open more than one drawer at a time.
- Use of tip-over restraints, only will reduce but does not eliminate the risk of tip-over.
- Never open more than one drawer at a time.

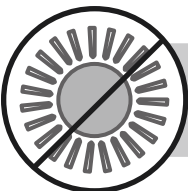
## MAINTENANCE TIPS



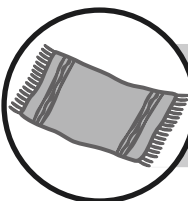
Avoid liquid spraying or infiltrating on the product surface.



Never use chemical cleaning products. They will damage the finish.



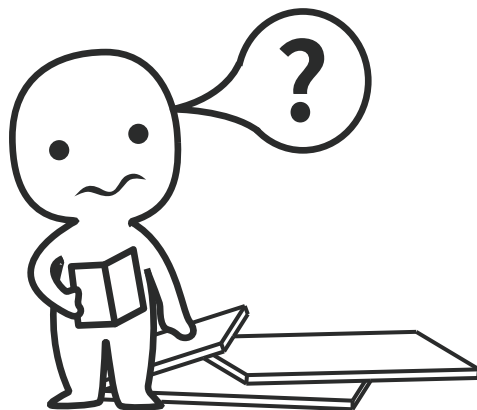
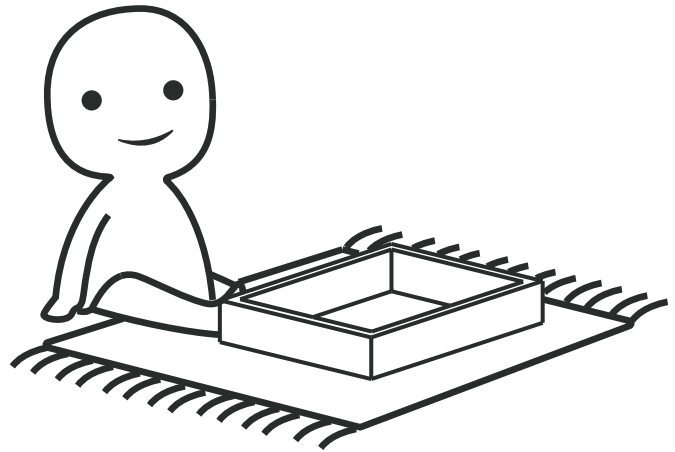
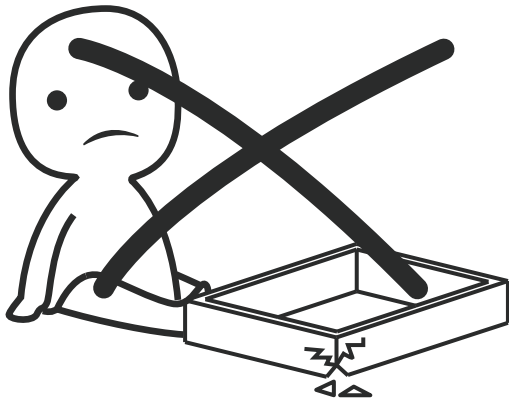
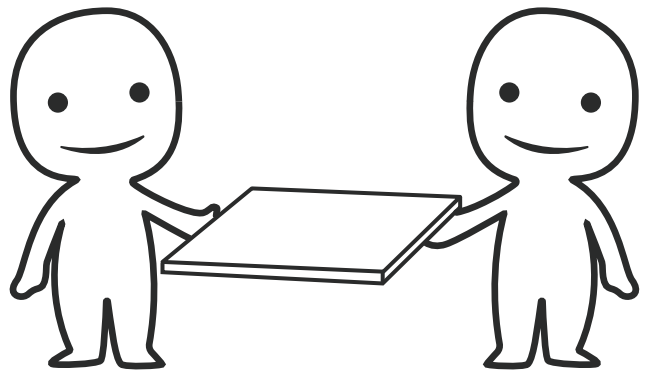
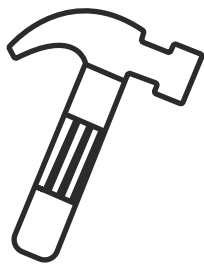
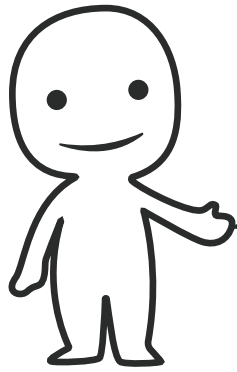
To avoid dulling of finish, do not place furniture in direct sunlight.



Do not put plastic or rubber rings under appliances. Use cloth or felt protectors.



To clean, use a soft or slightly damp cloth, and wipe with a clean and dry cloth.



DE

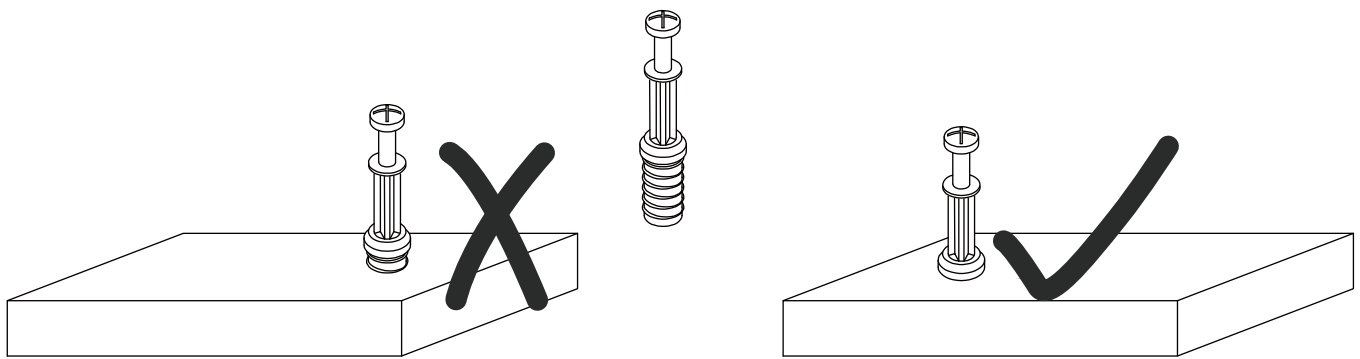
Wichtige Information

- Sorgfältig und aufmerksam lesen
- Diese Information aufbewahren

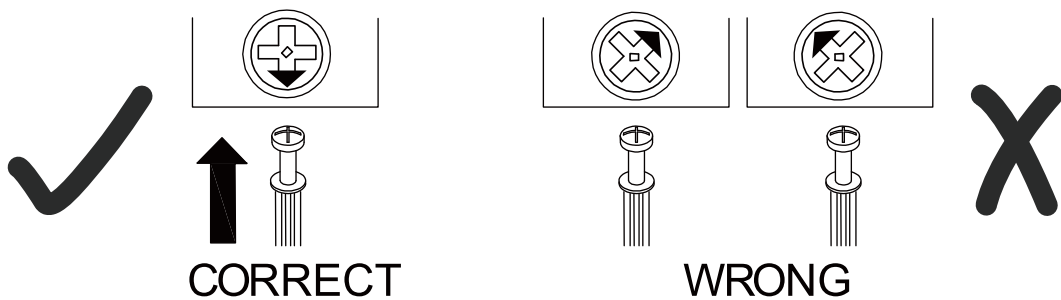
GB

Safety information

- Important information
- Please read closely and carefully
- Save this information



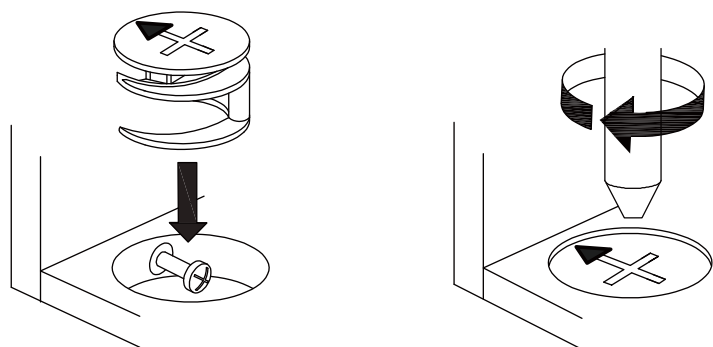
## CAM LOCK



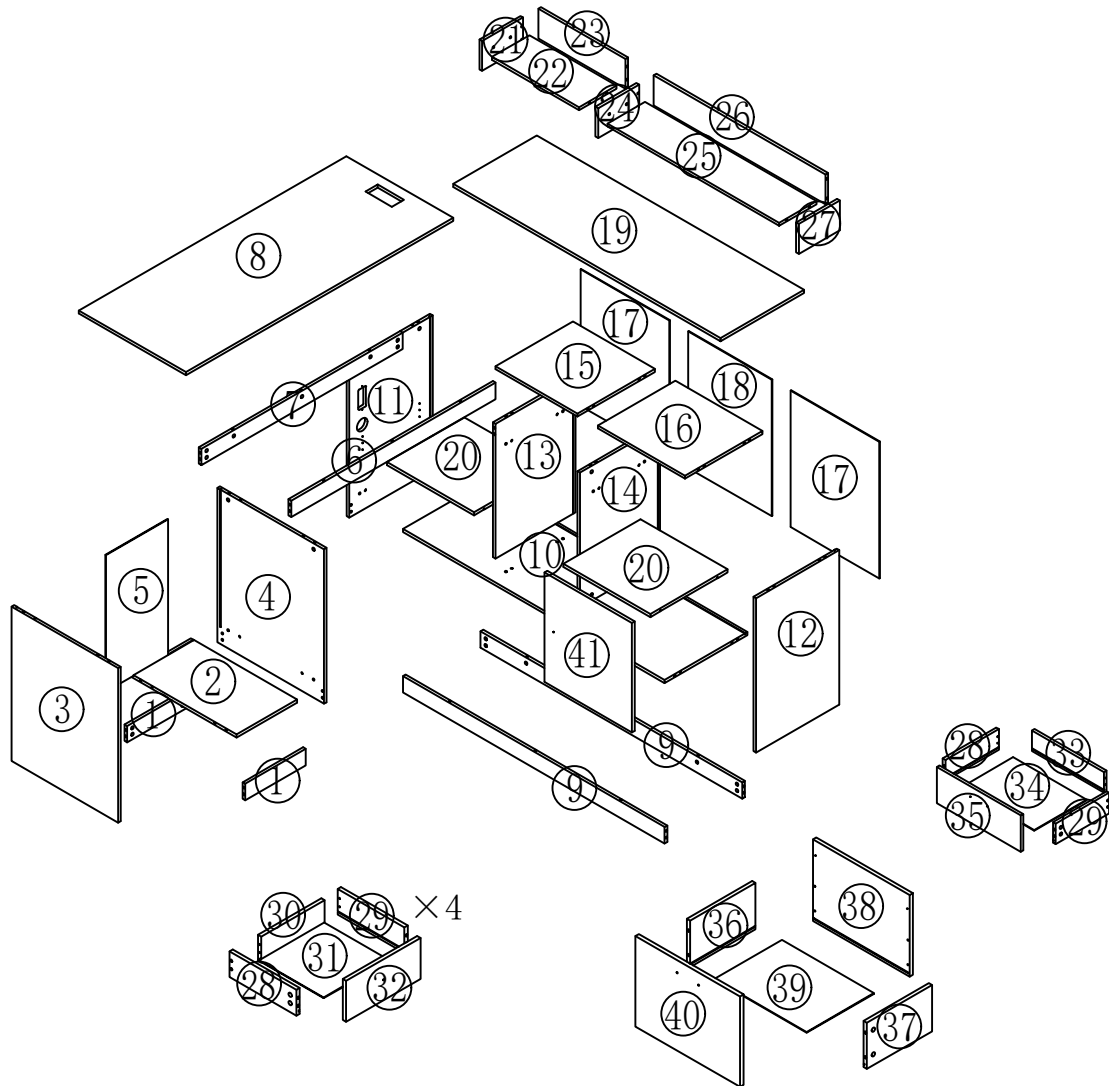
Nut should be in the centre of the cam lock when the two panels are joined. Cam lock should be inserted before nut.

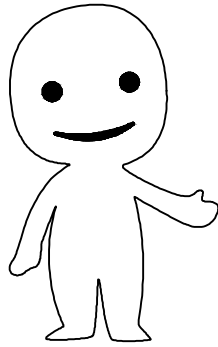
Wenn die beiden Platten verbunden sind, sollte die Mutter in der Mitte des Nockenschlosses sein.

Die Nockenverriegelung sollte vor der Mutter eingeführt werden.

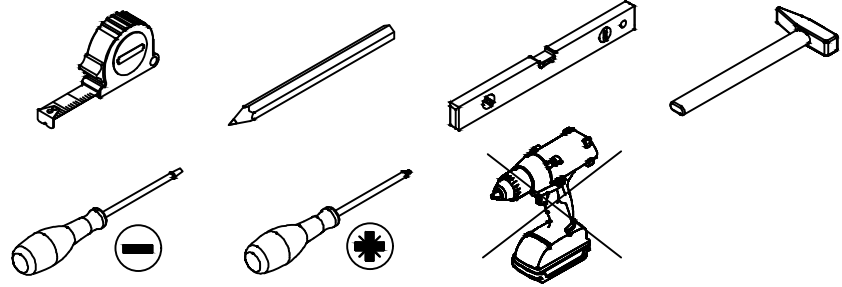


# Parts List/Teileliste

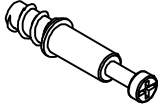
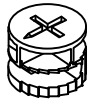
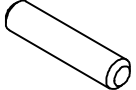

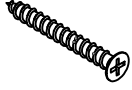

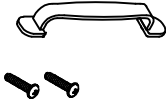
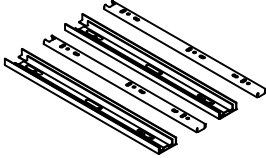
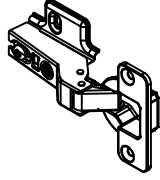

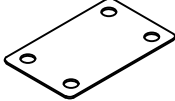

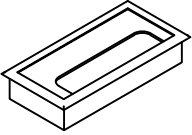






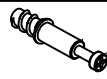
Please prepare the following tools



When installing, please carefully confirm whether each screw corresponds to the manual, accessories with similar shapes can be distinguished by size

<p>A</p>  <p><math>\phi 5*31\text{mm}</math> <math>\times 108</math></p>	<p>B</p>  <p><math>\phi 15*11\text{mm}</math> <math>\times 108</math></p>	<p>C</p>  <p><math>\phi 8*30\text{mm}</math> <math>\times 32</math></p>
<p>D</p>  <p><math>3.5*14\text{mm}</math> <math>\times 70</math></p>	<p>E</p>  <p><math>4*40\text{mm}</math> <math>\times 24</math></p>	<p>F</p>  <p><math>4*20\text{mm}</math> <math>\times 5</math></p>
<p>G</p>  <p>M4x18mm <math>\times 2</math></p>	<p>H</p>  <p>L=300mm <math>\times 6</math></p>	<p>J</p>  <p><math>\times 2</math></p>
<p>K</p>  <p><math>\times 8</math></p>	<p>L</p>  <p><math>\times 3</math></p>	<p>M</p>  <p><math>\times 1</math></p>
<p>N</p>  <p><math>\times 1</math></p>	<p>O</p>  <p>L=302mm <math>\times 2</math></p>	<p>P</p>  <p><math>\times 108</math></p>

1



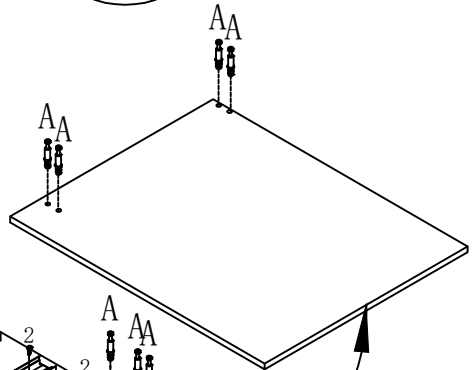
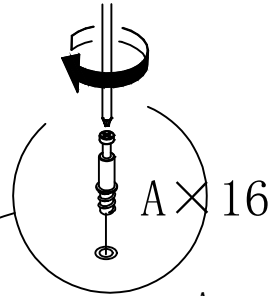
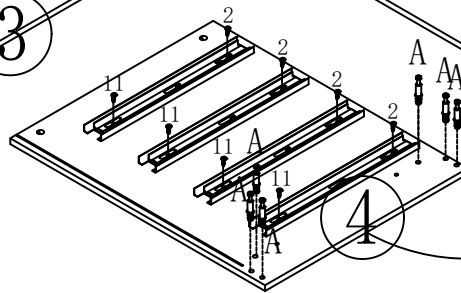
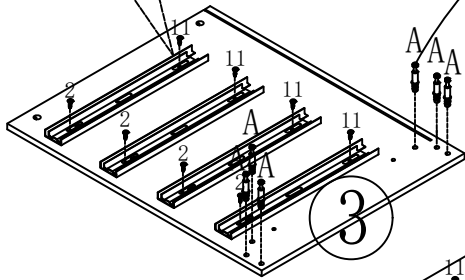
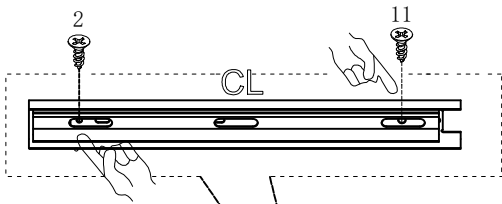
A x 16



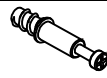
D x 16



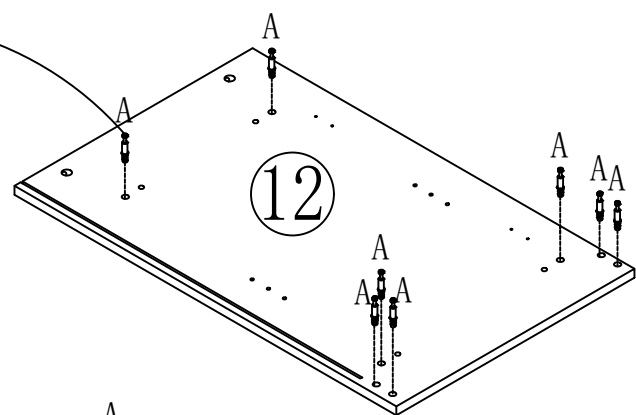
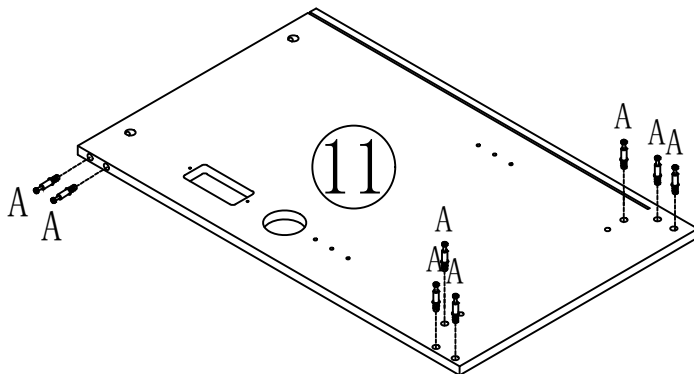
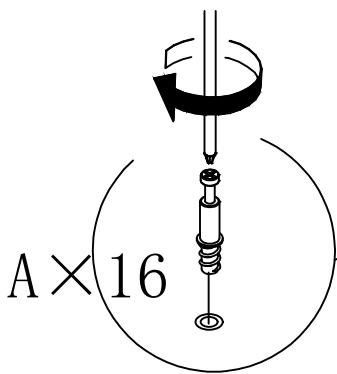
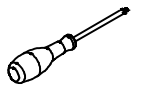
H x 4



2

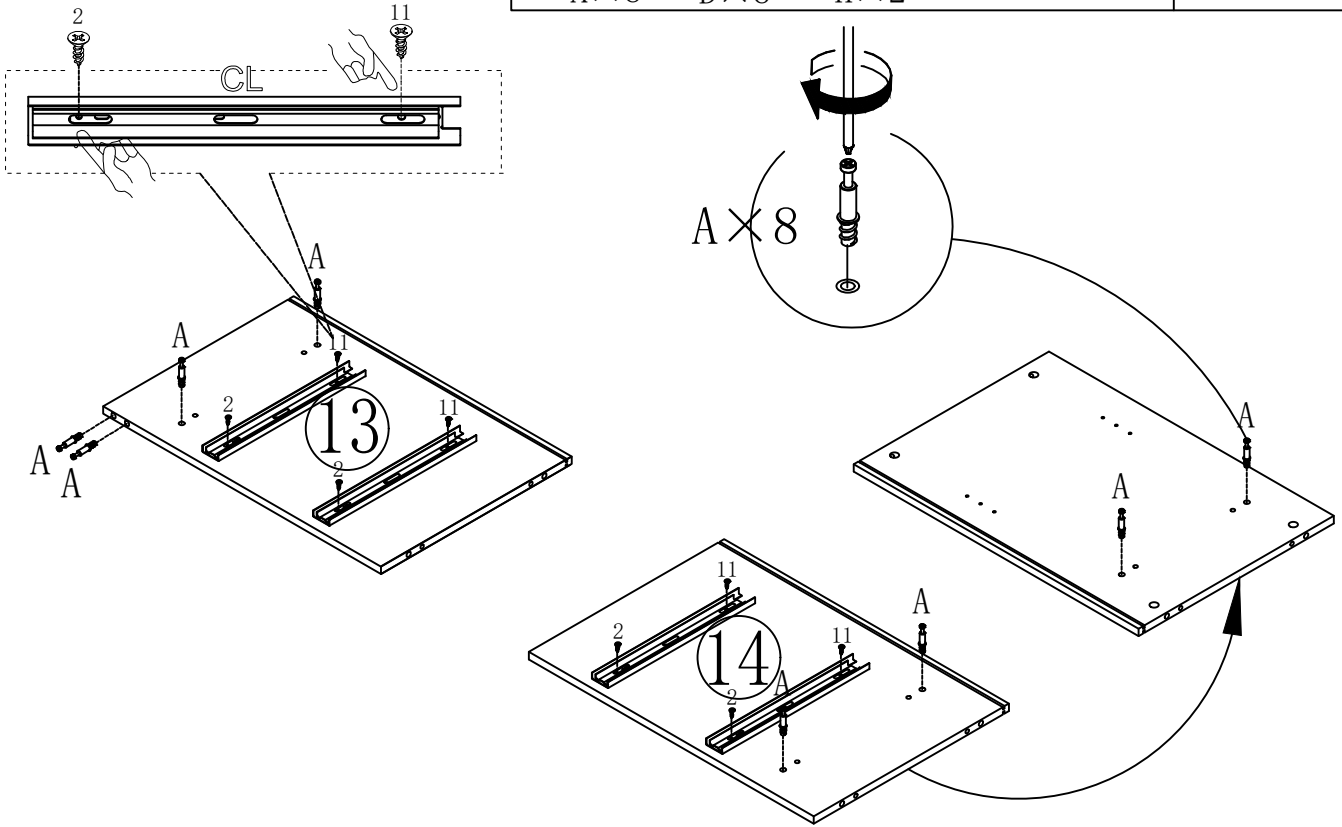


A x 16



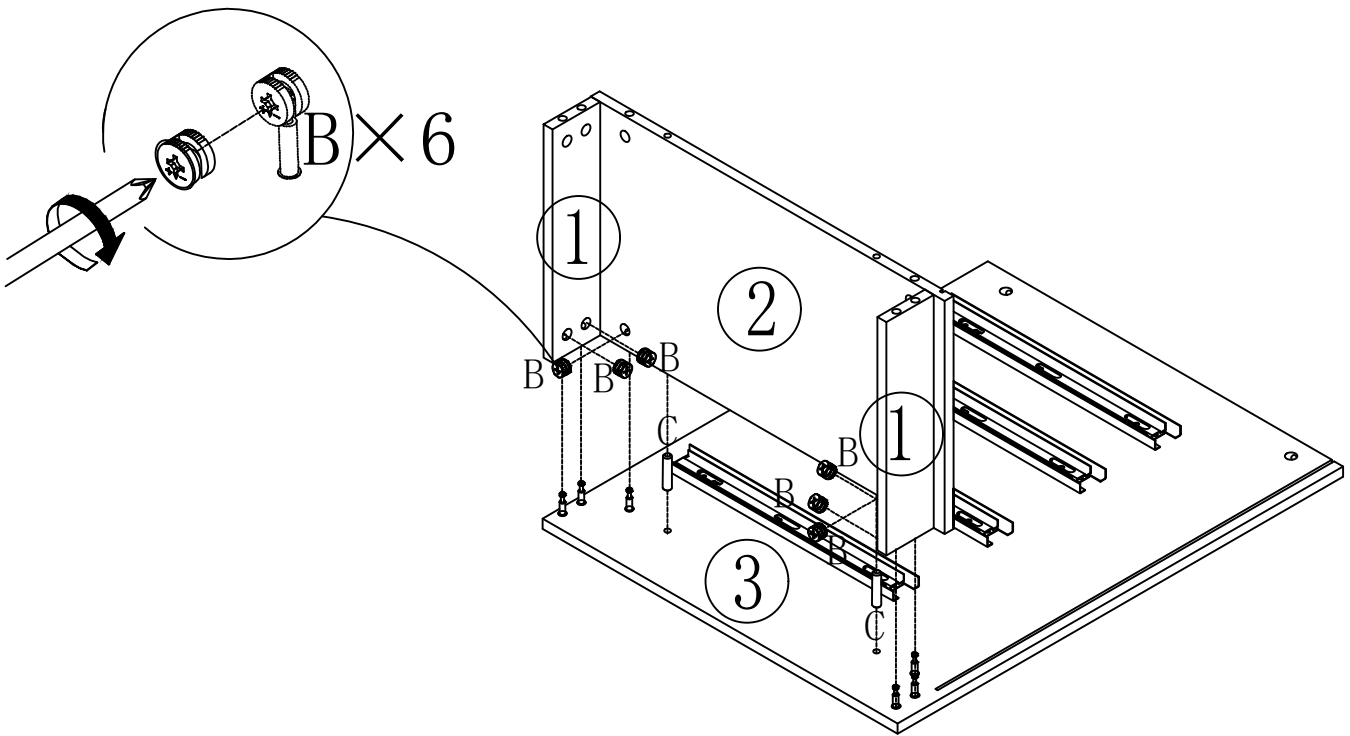
3

A×8    D×8    H×2

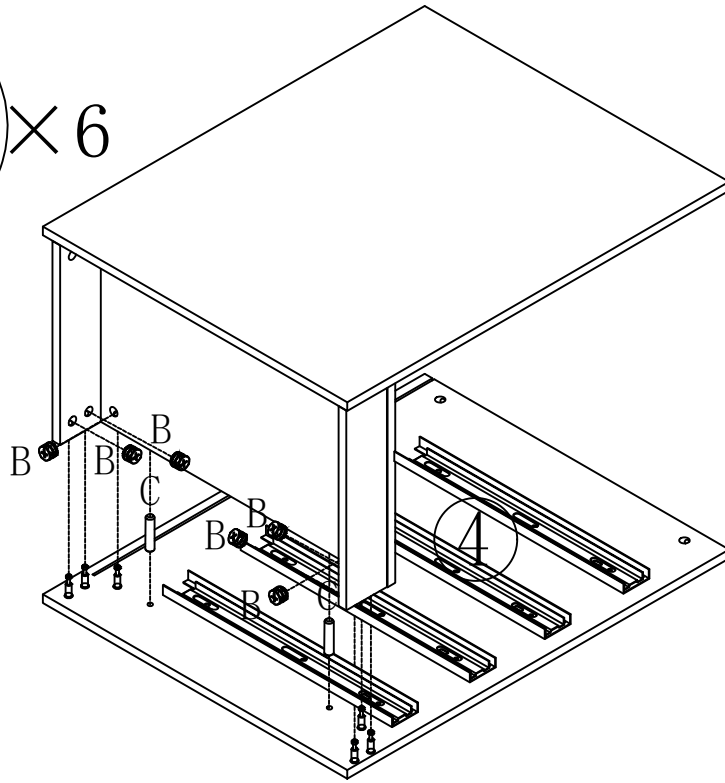
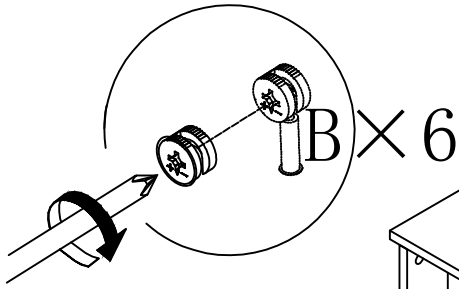
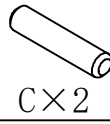


4

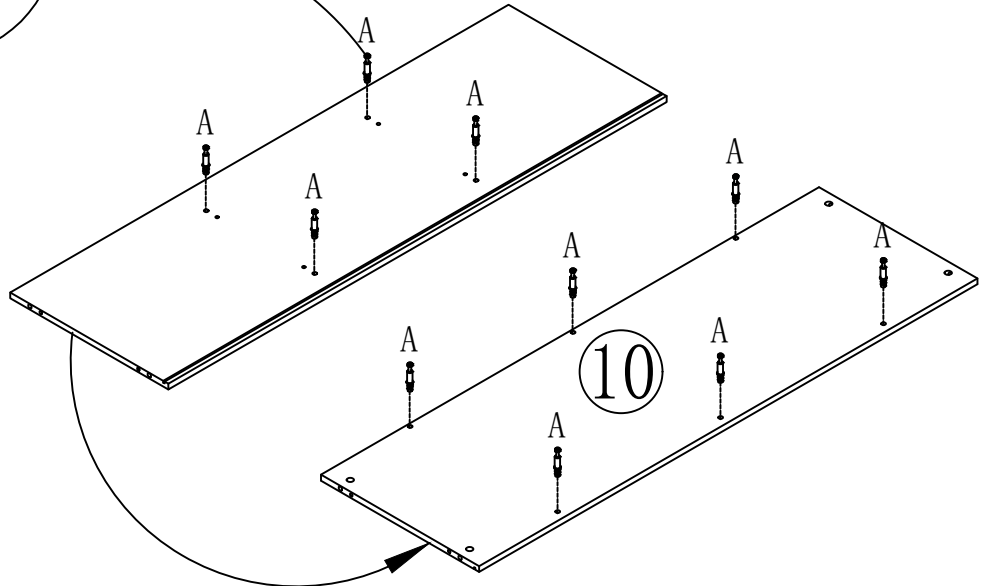
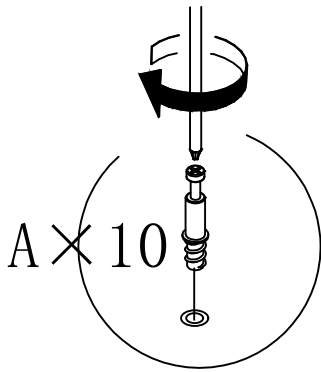
B×6    C×2



5



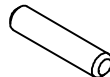
6



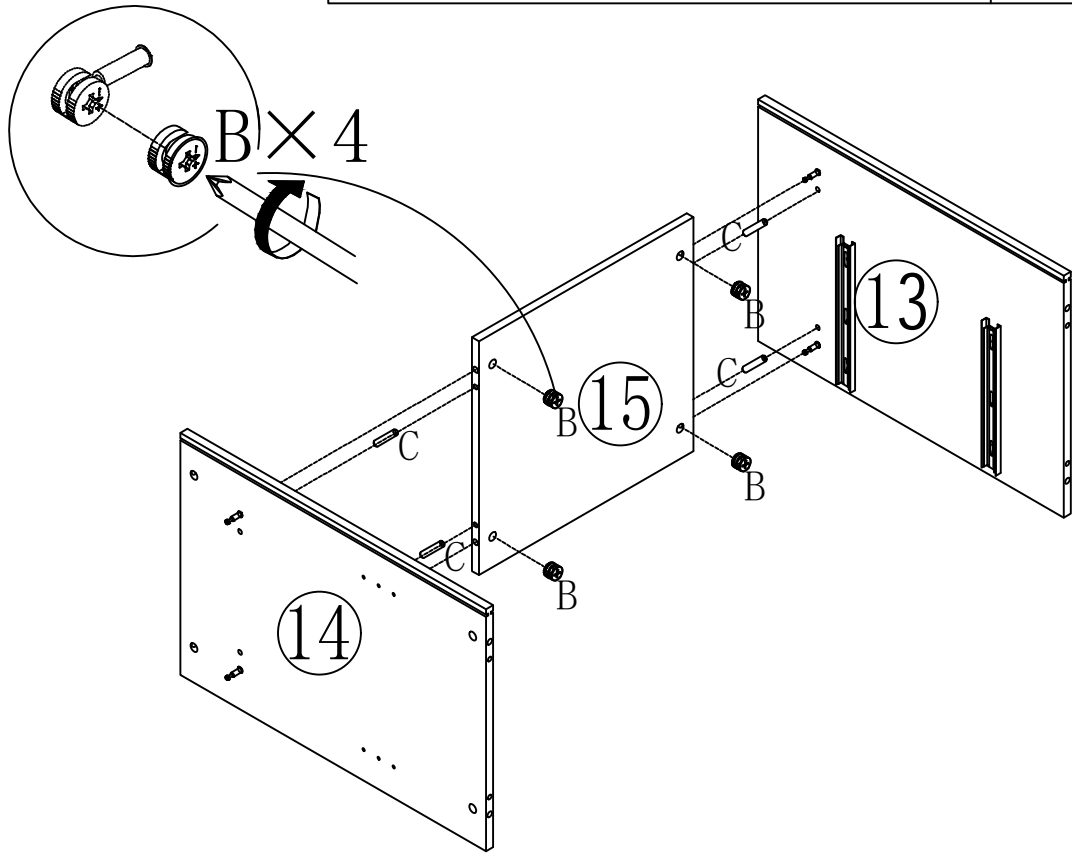
7



B x 4



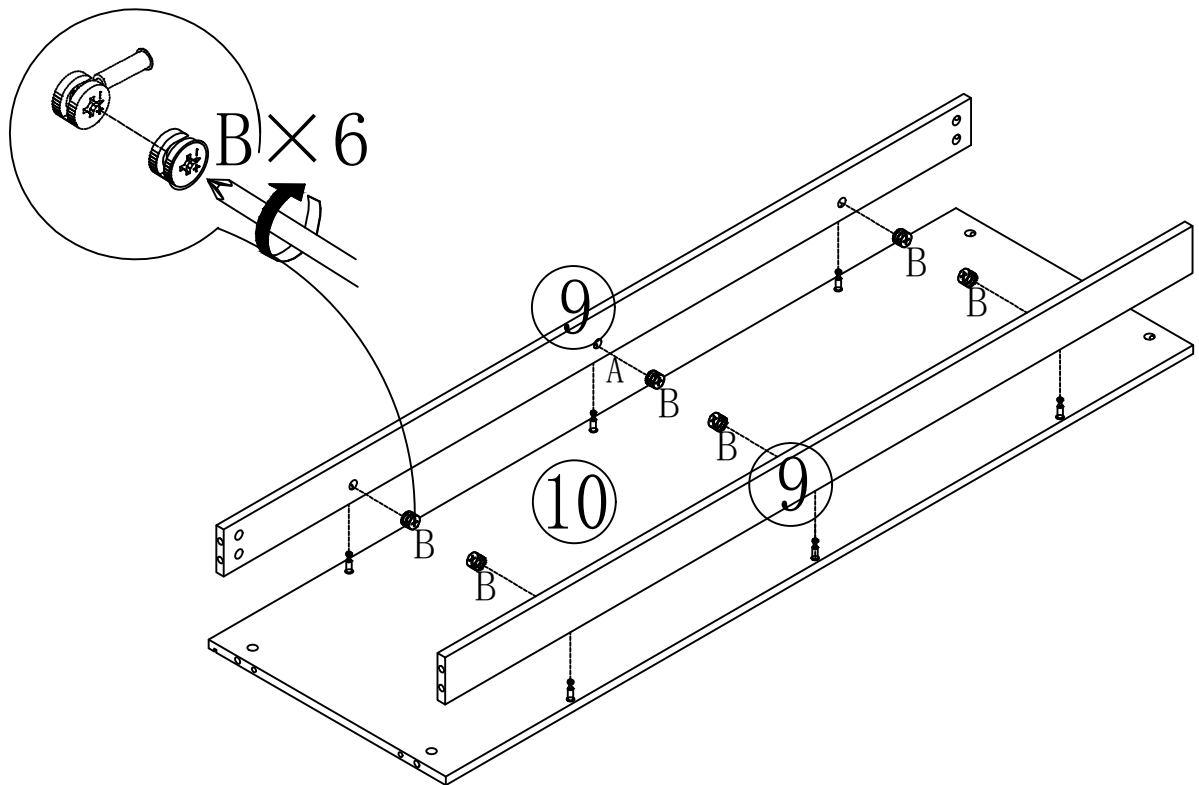
C x 4



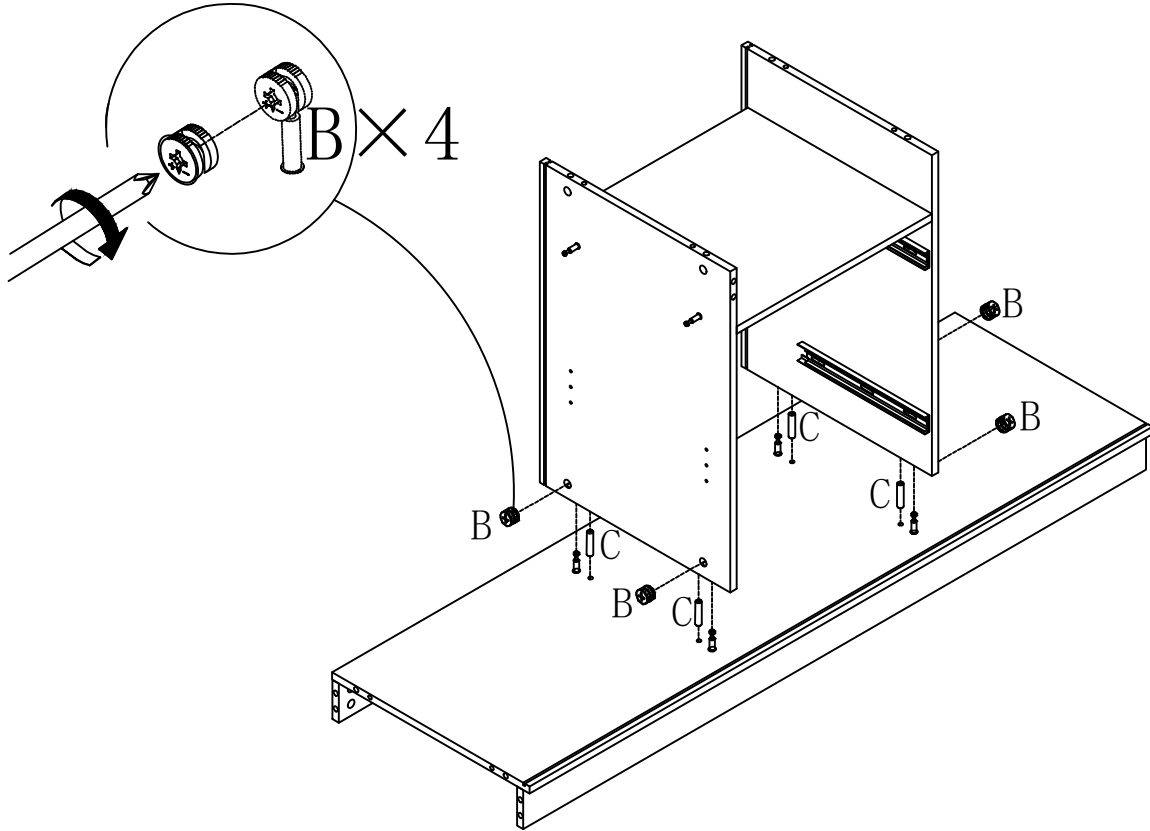
8



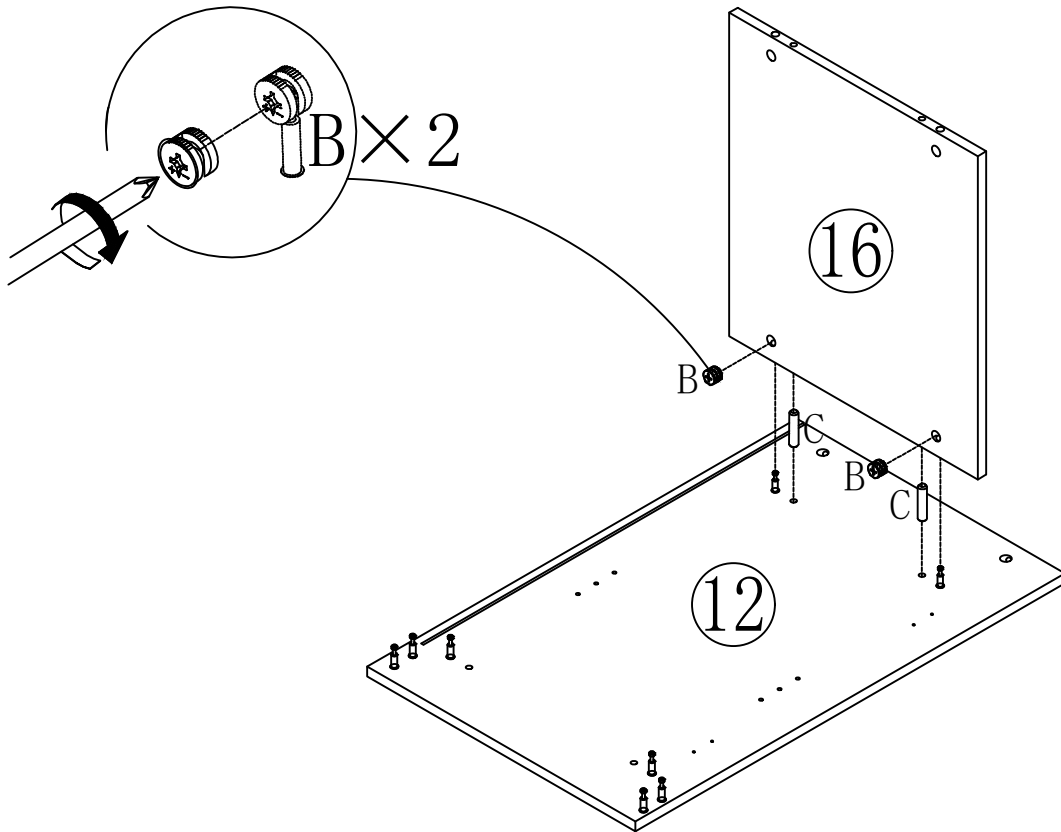
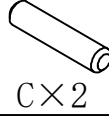
B x 6



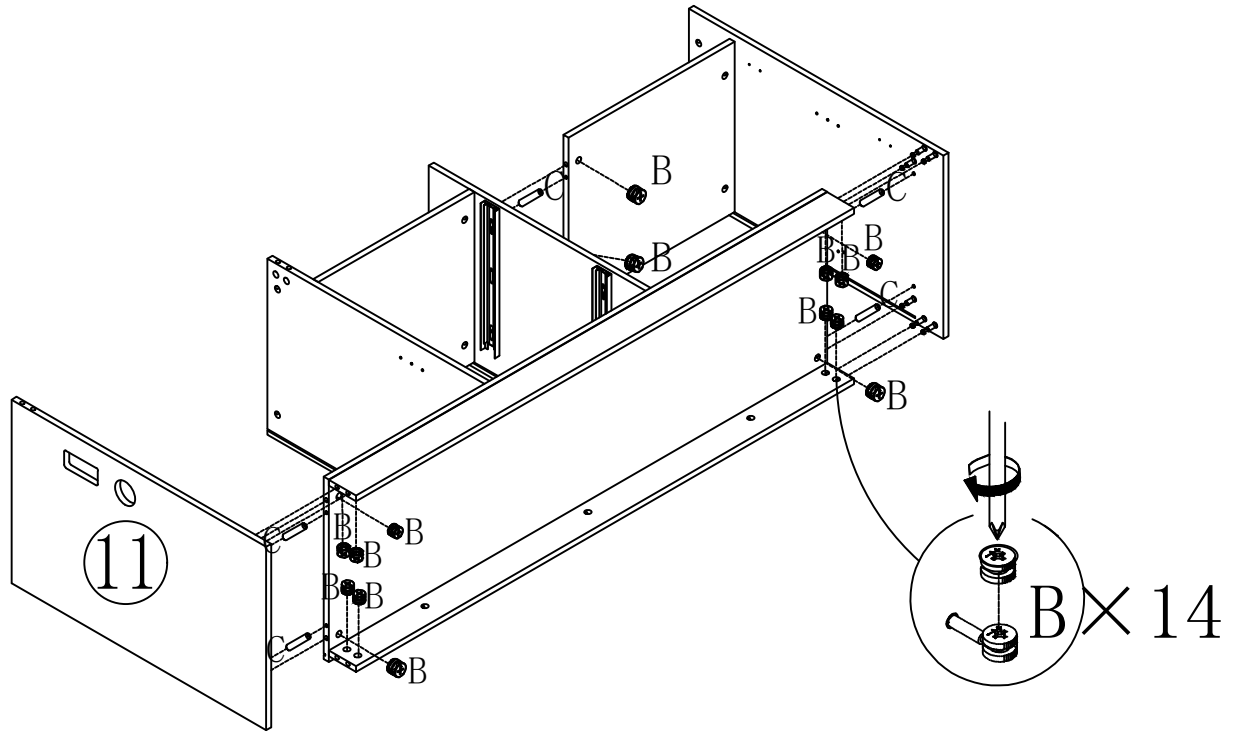
9



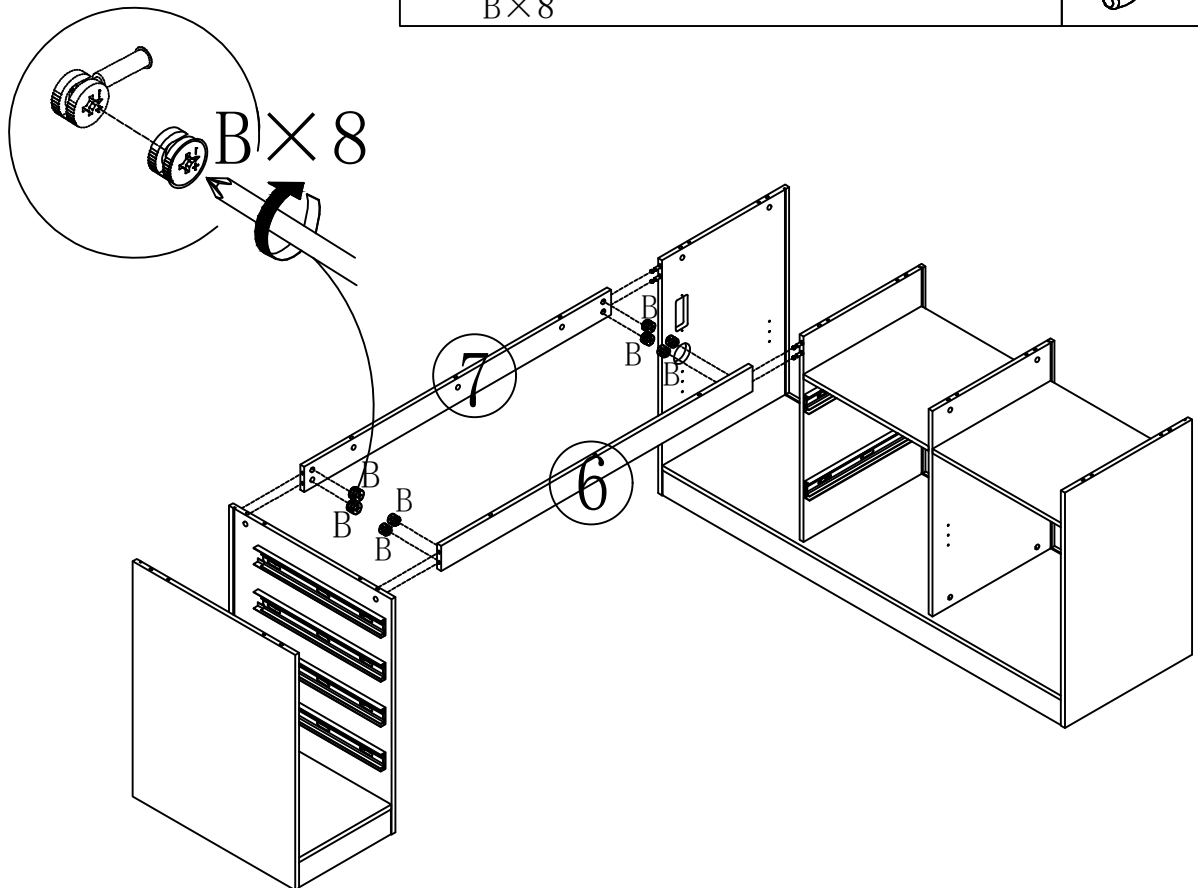
10



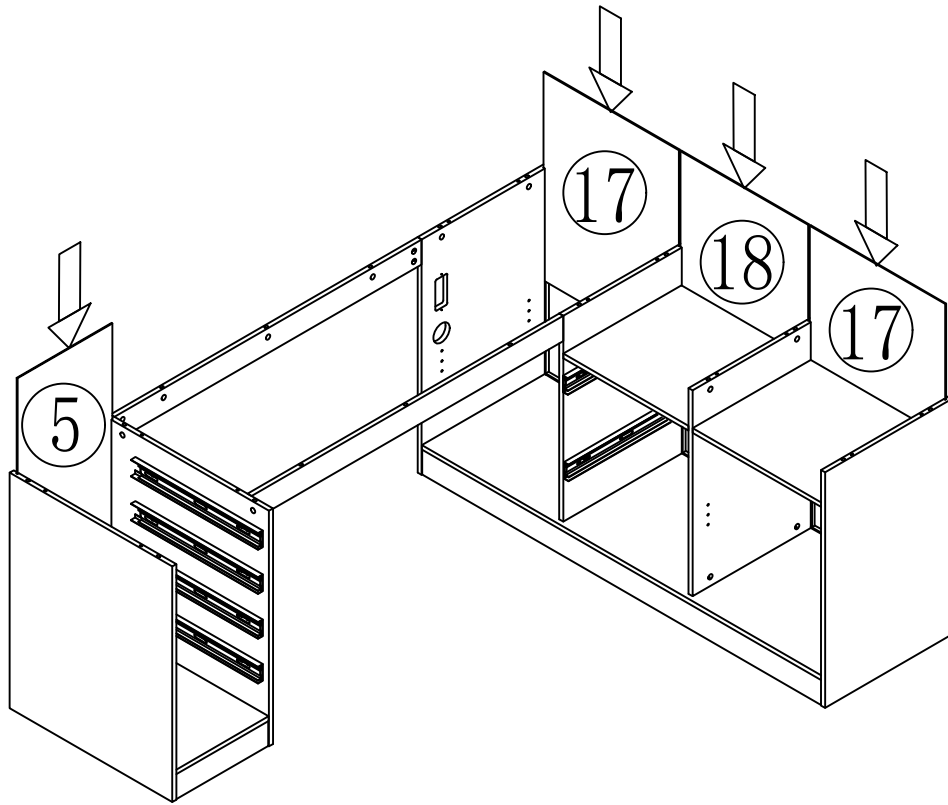
11



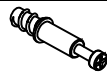
12



13



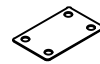
14



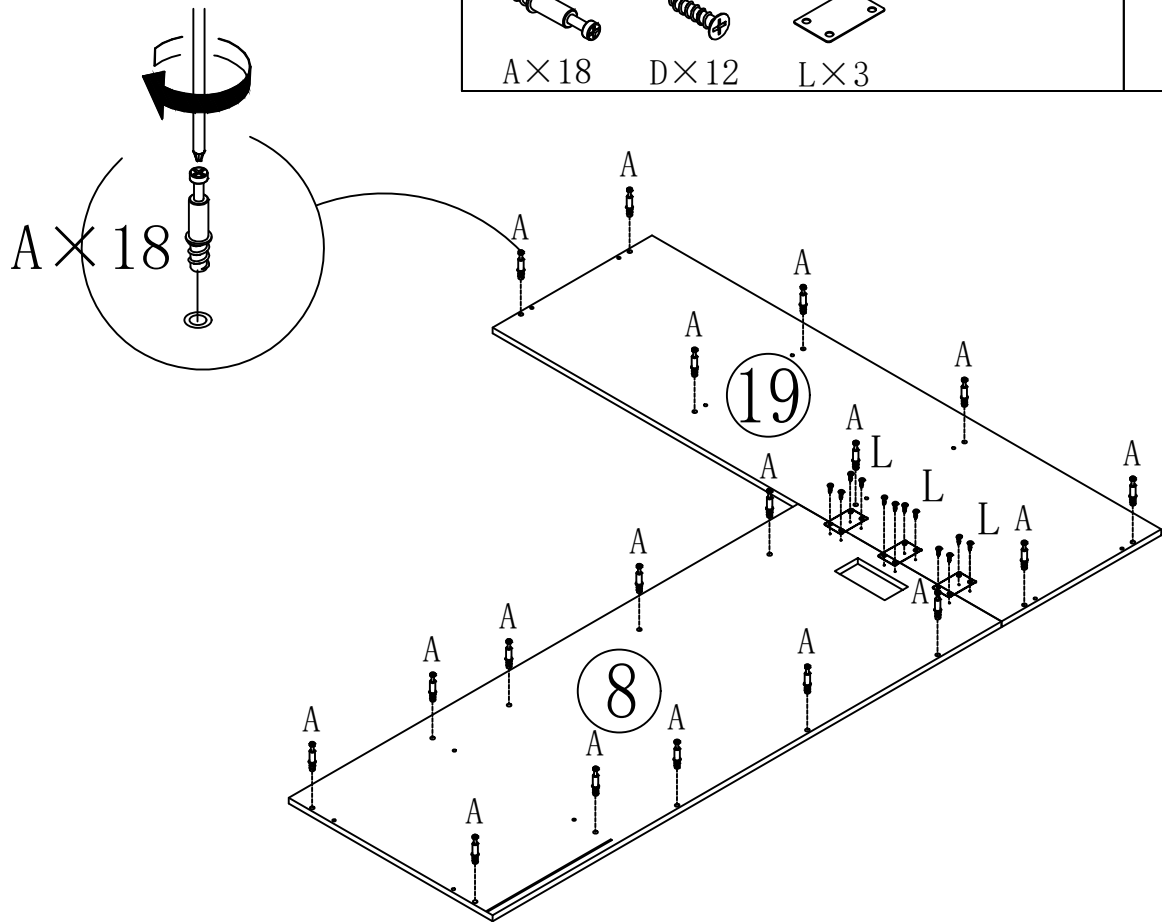
A × 18



D × 12



L × 3



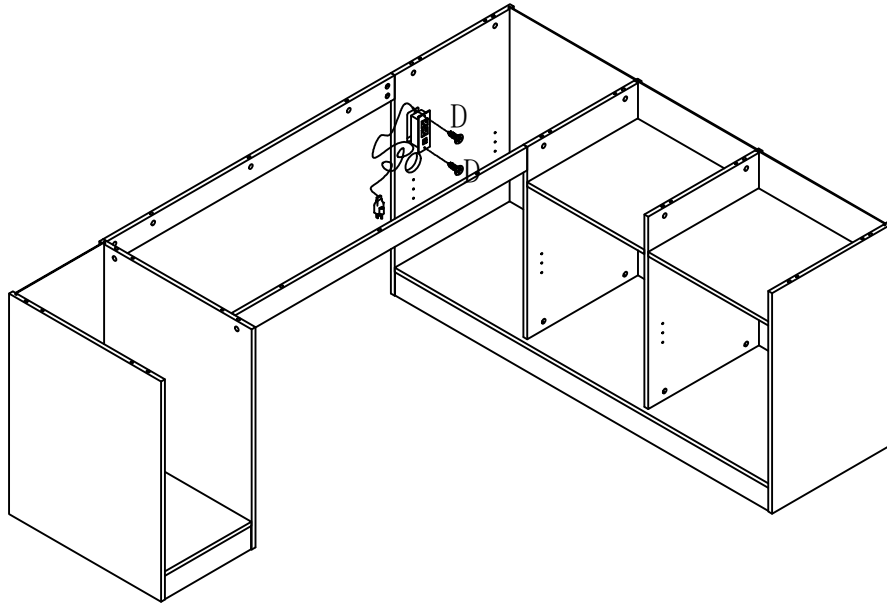
15



D×2



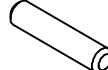
M×1



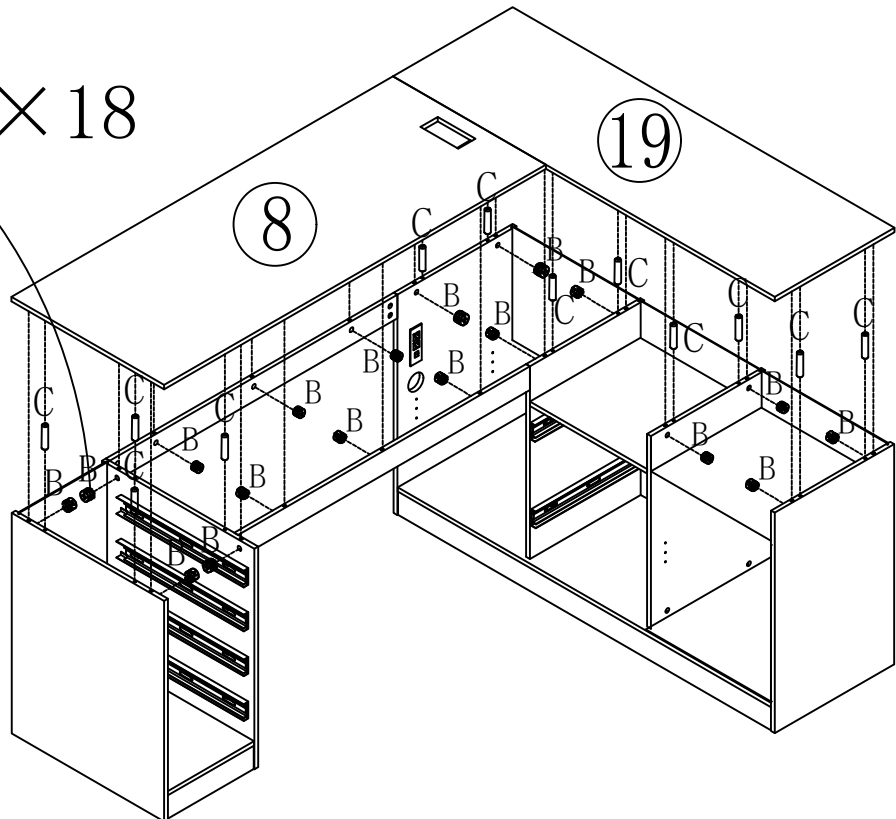
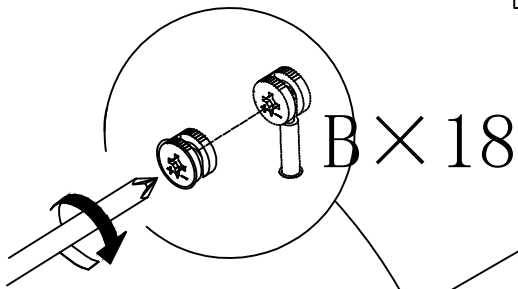
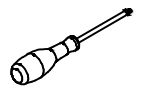
16



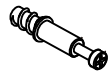
B×18



C×12



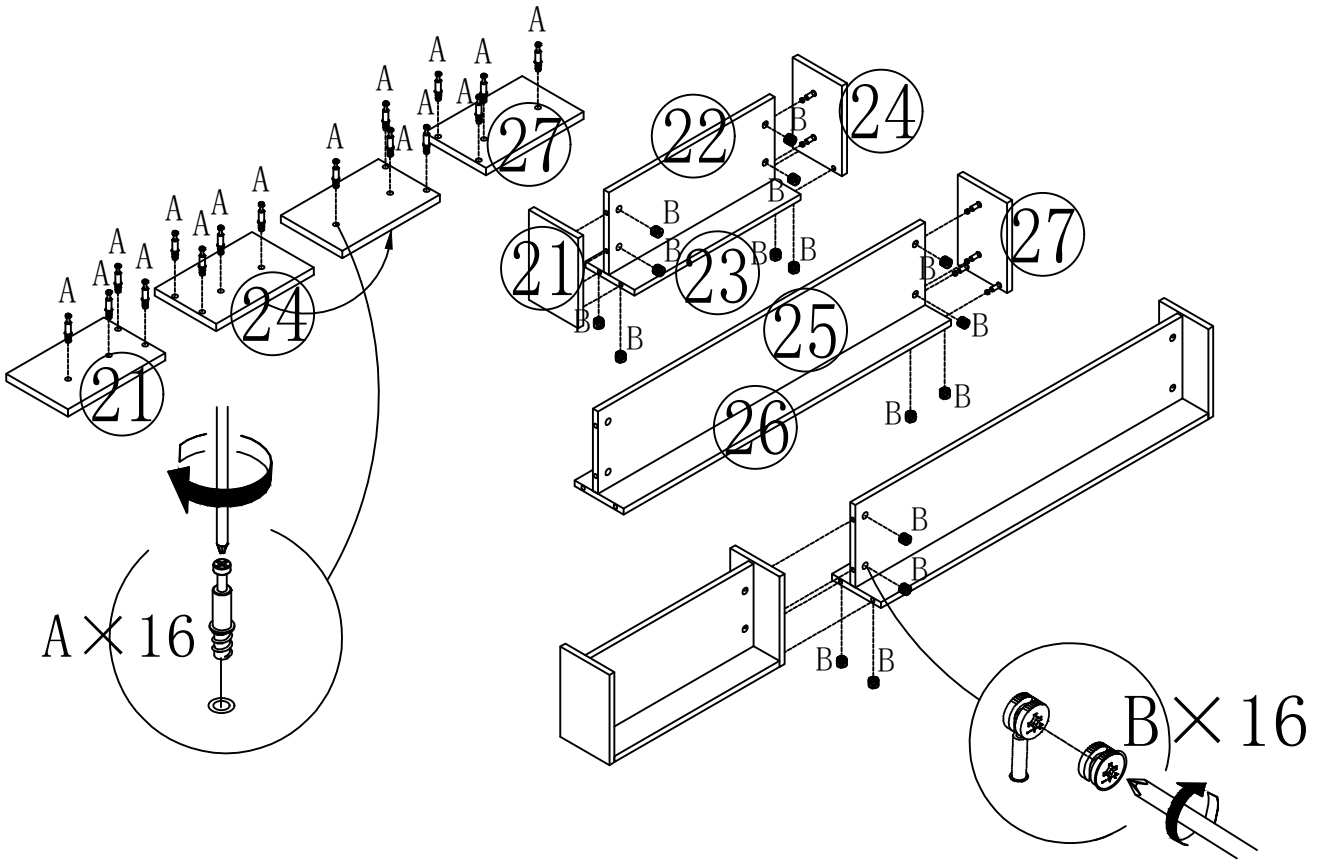
17



A × 16



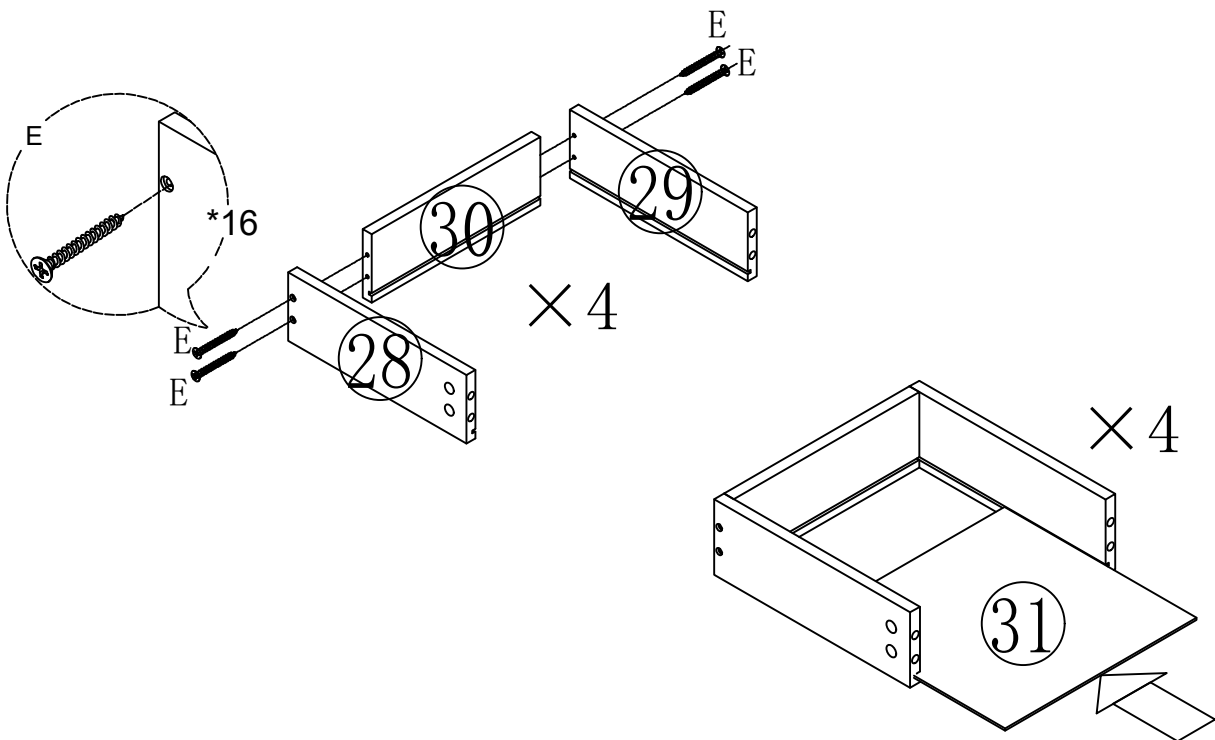
B × 16



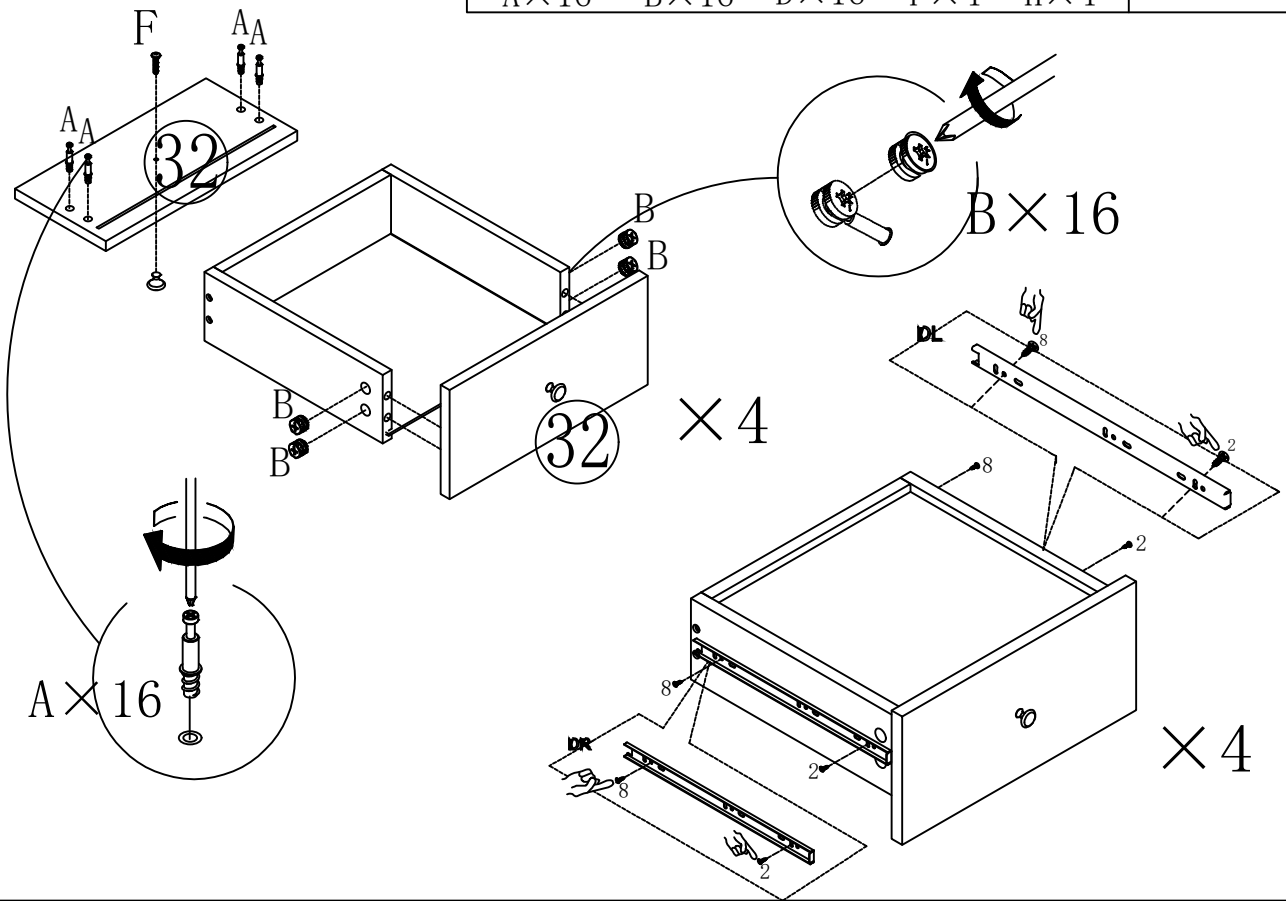
18



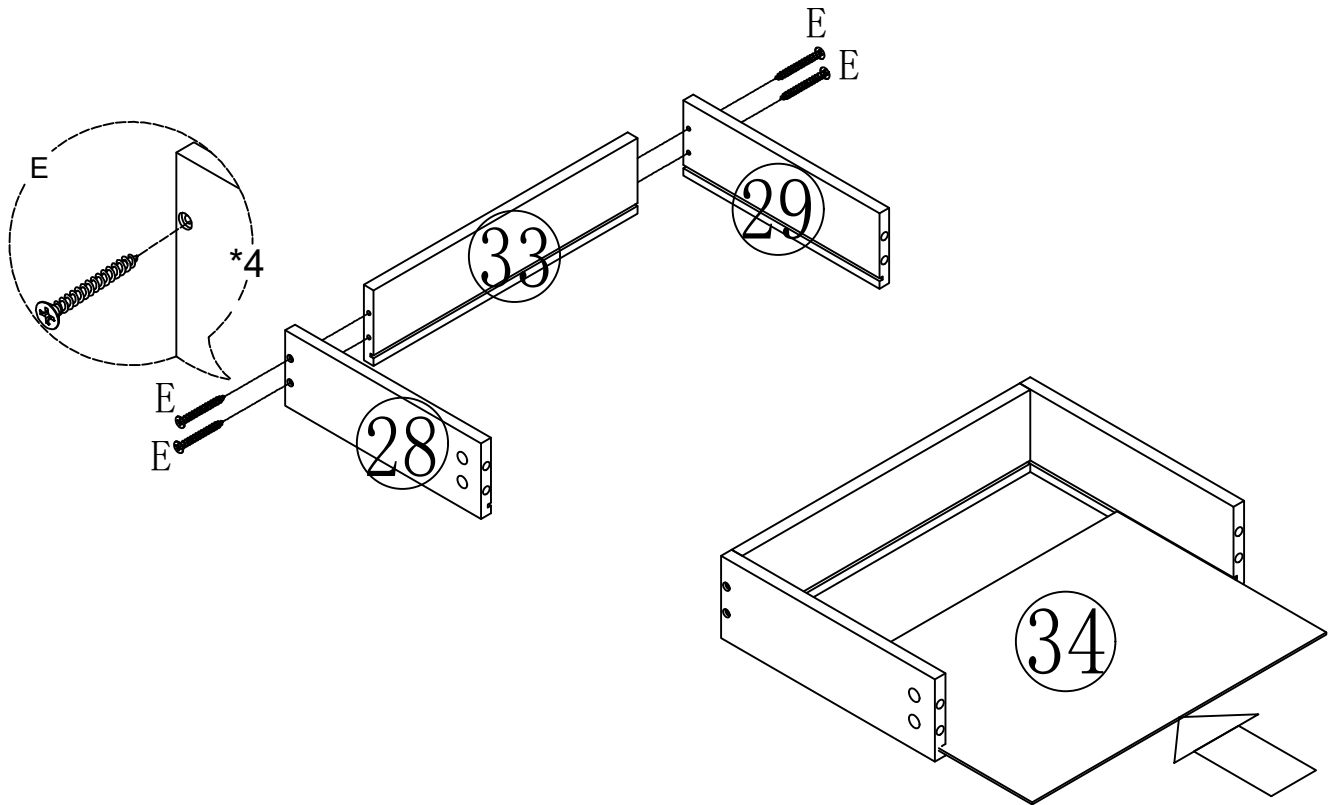
E × 16



19

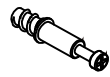


20





23



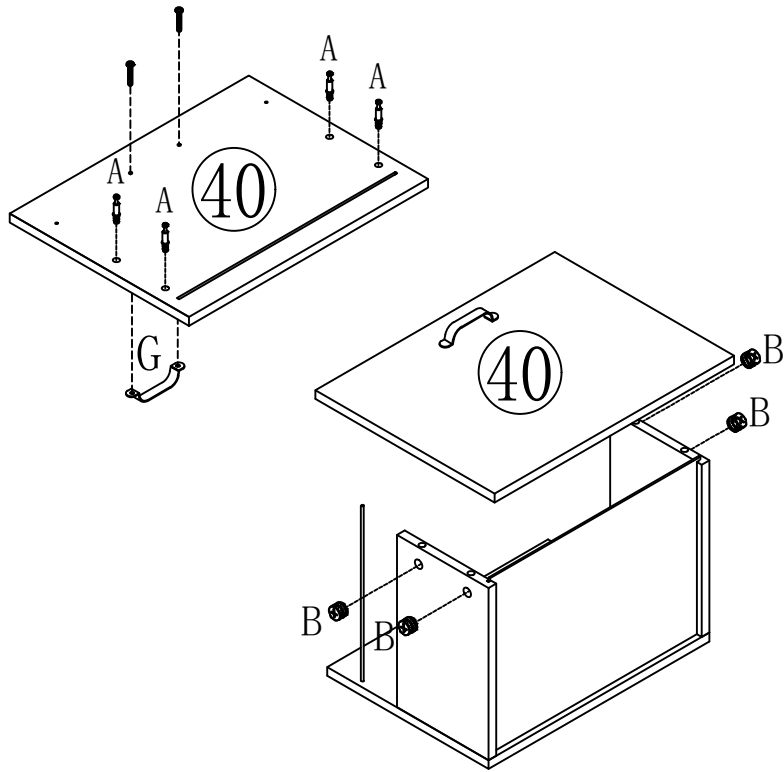
A×4



B×4



M4x19mm  
G×1



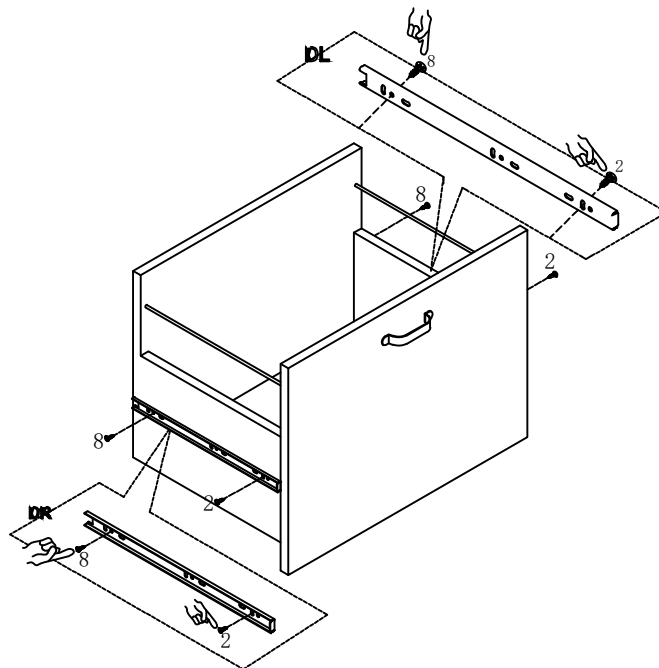
24



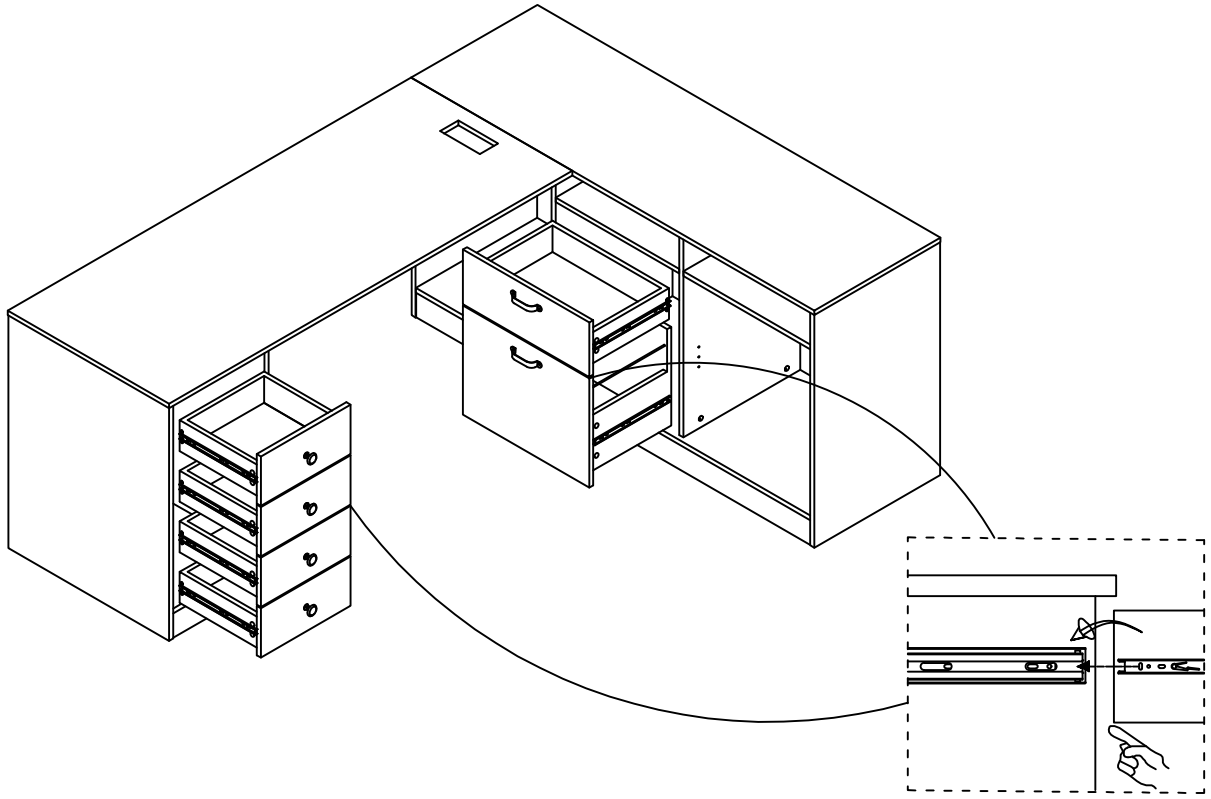
D×4



H×1



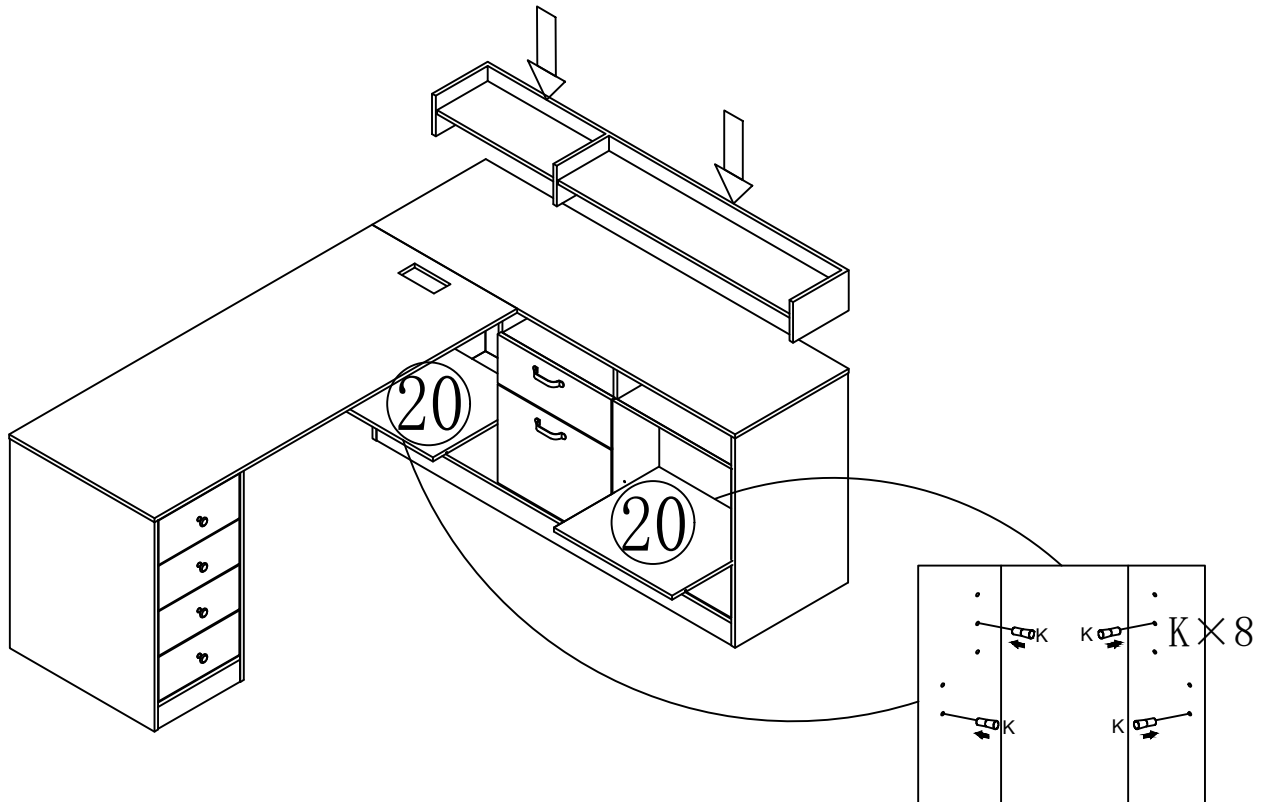
25



26



K × 8



27



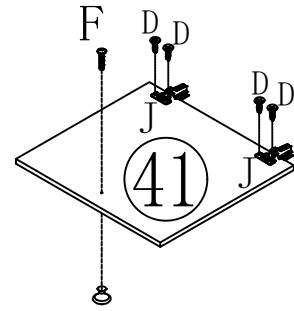
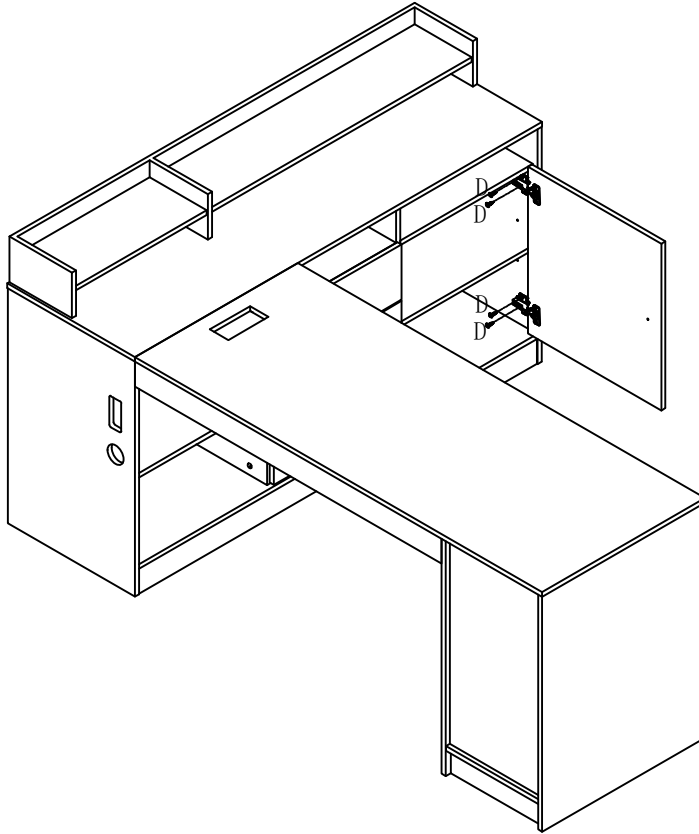
D×8



F×1  
φ18mm



J×2



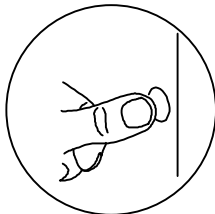
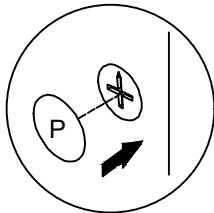
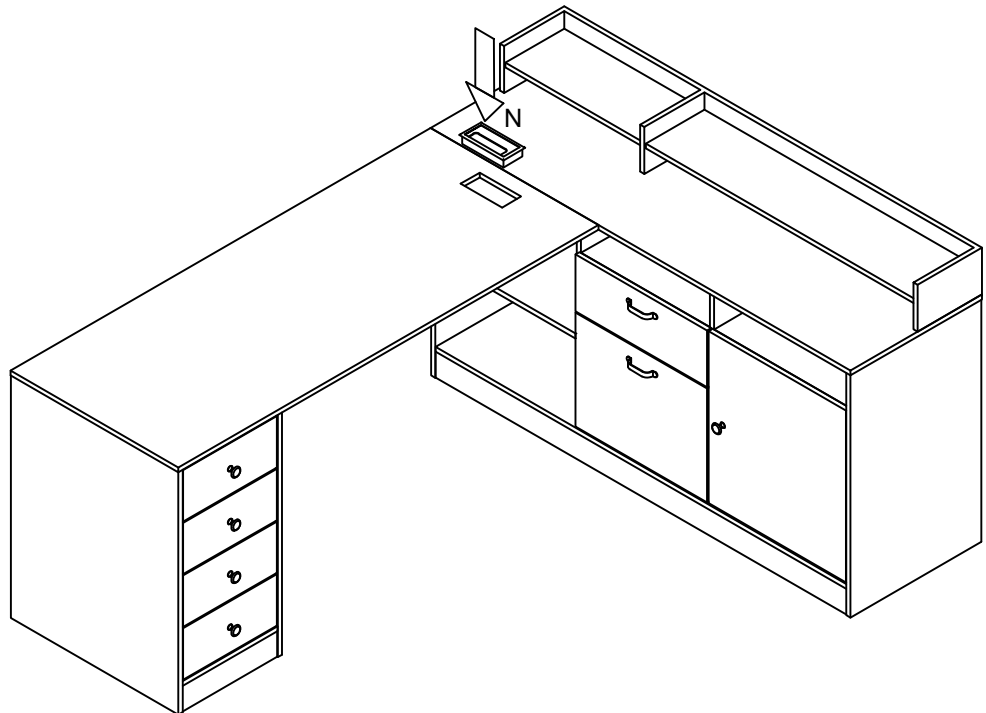
28

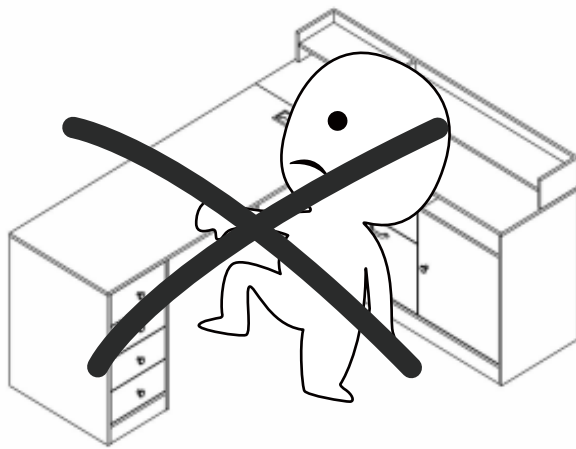
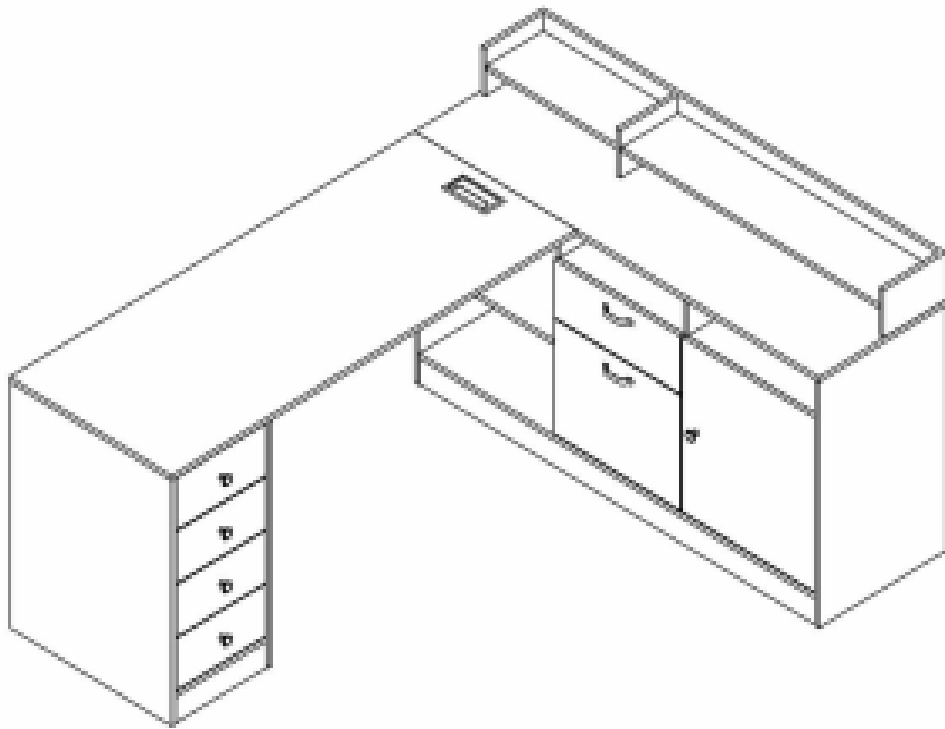


N×1



P×108





Serious or fatal crushing injuries can occur from furniture tip-over. To further reduce the risk of serious injury and death from tip-overs:

Schwere oder tödliche Quetschverletzungen können durch Umkippen von Möbeln auftreten.  
Um das Risiko schwerer Verletzungen und Todesfälle durch Umkippungen weiter zu reduzieren.