

ASSEMBLY AND INSTALLATION INSTRUCTIONS

Model: CA2665-2W

WARNING: TO AVOID RISK OF ELECTRICAL SHOCK, BE SURE TO SHUT OFF POWER WHILE INSTALLING OR SERVICING THIS FIXTURE

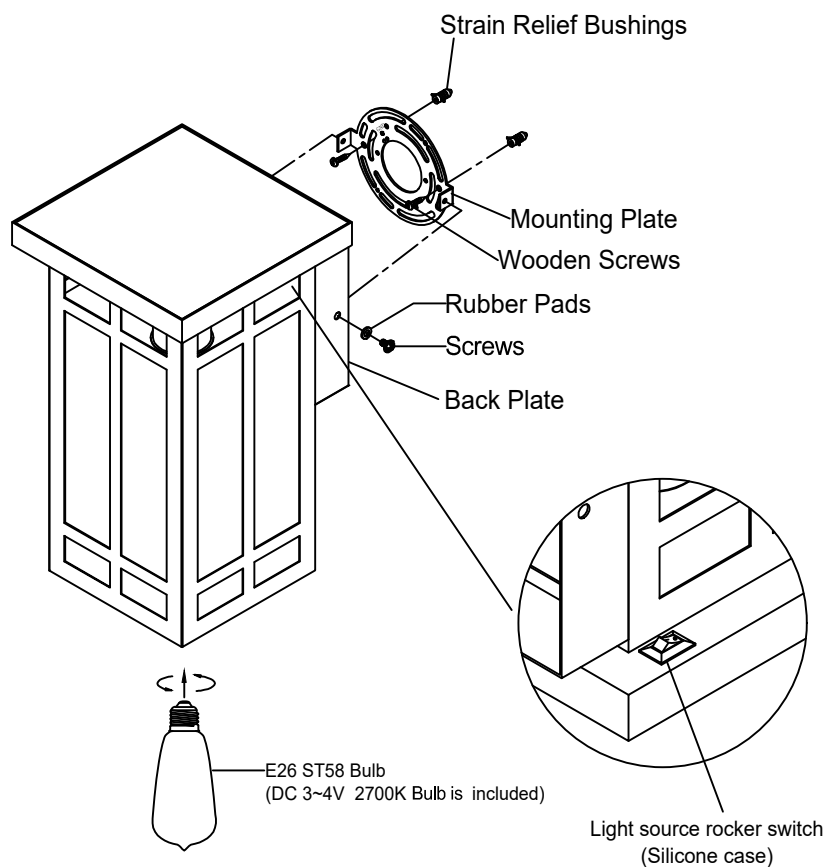
NOTES: 1. Before installing, consult local electrical codes for wiring and grounding requirements.
2. Read and save these instructions.

Kind Reminder :

This lighting fixture needs to be installed in a sunny place

Product Specification

Battery capacity	4000mAh
Output voltage	DC 3~4V
CRI	80
Color Temp	2700K
Material	Metal & Glass
Solar energy control	Automatic lights off during the day; automatic lights on at night.



Installation Instructions

1. Drill holes at your desired installation location according to the distance between the two holes on the mounting plate. Install the mounting plate in the desired position using 2 adhesive seedlings and wooden screws.
2. Insert the mounting plate into the back plate, align the two dental grain holes of the mounting plate with the back plate hole, and then fix it with two screws and rubber pads.
3. Install the E26 ST58 Bulb (DC 3~4V 2700K included).
4. Press the toggle switch to test the light source Open(-) / Close (O) .
5. Please remove the protective film before using all solar panels.