

WS 16 Touch

Features

- Magnifying Makeup Mirror
- Polished Chrome Finish
- Solid Brass Base
- Magnification 5X
- With Touch Dimmer: Light Color Infinitely Adjustable
- Battery Operated
- Automatic Off After 10 Minutes
- Light Color Range: 2900K - 6000K
- Double Arm, Extendable, Swiveling
- Free of Distortion




SKU# | Option:

- WS 16 Touch | Polished Chrome

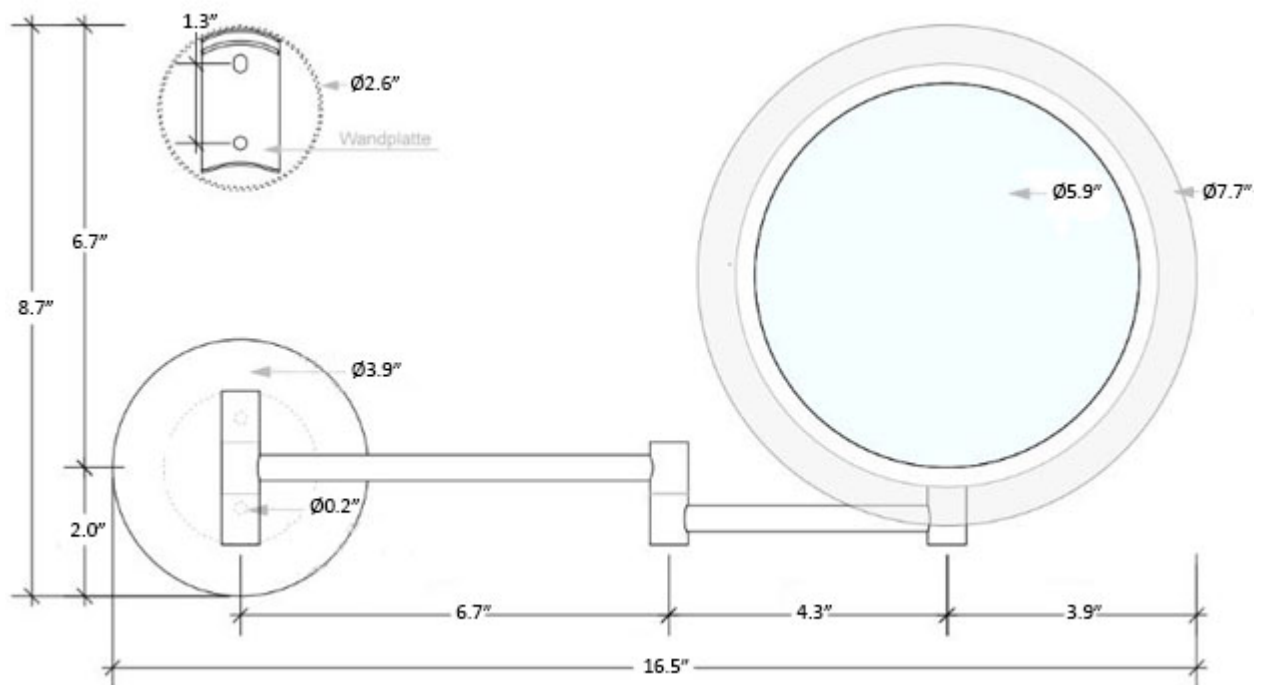
Finishes:



* WS Bath Collections reserves the right to revise dimensions or information on this sheet without notice

Collection Spiegel	Model WS 16 Touch	Dimensions Metric <i>1 inch = 2.54 cm</i> <i>1 inch = 25.4 mm</i>	 1051 Lea Drive - Collegeville, PA 19426 Tel. 215 513 9400 - Fax 610 831 0215 www.ws bathcollections.com - info@ws bathcollections.com
------------------------------	-------------------------------	--	---

Product Specs Sheets



Collection
Spiegel

Model |
WS 18"Vqwej

Dimensions Metric

1 inch = 2.54 cm
1 inch = 25.4 mm

WS[®]
BATH
COLLECTIONS

1051 Lea Drive - Collegeville, PA 19426
Tel. 215 513 9400 - Fax 610 831 0215
www.ws bathcollections.com - info@ws bathcollections.com