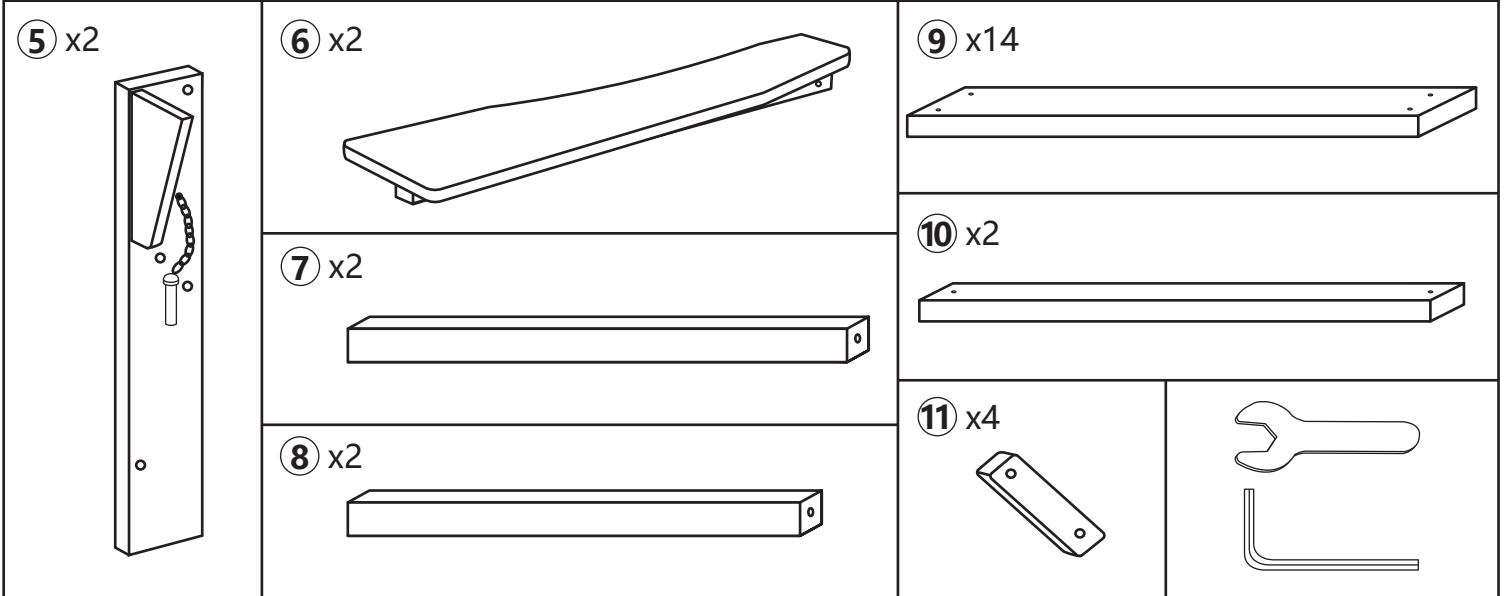
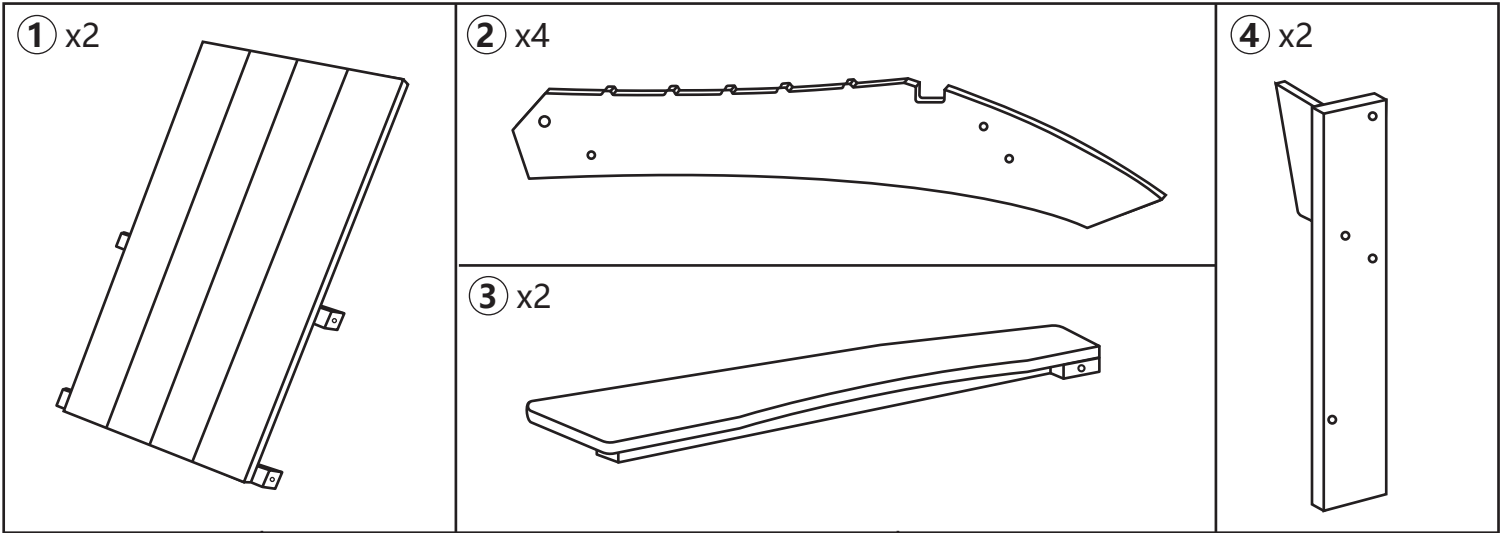


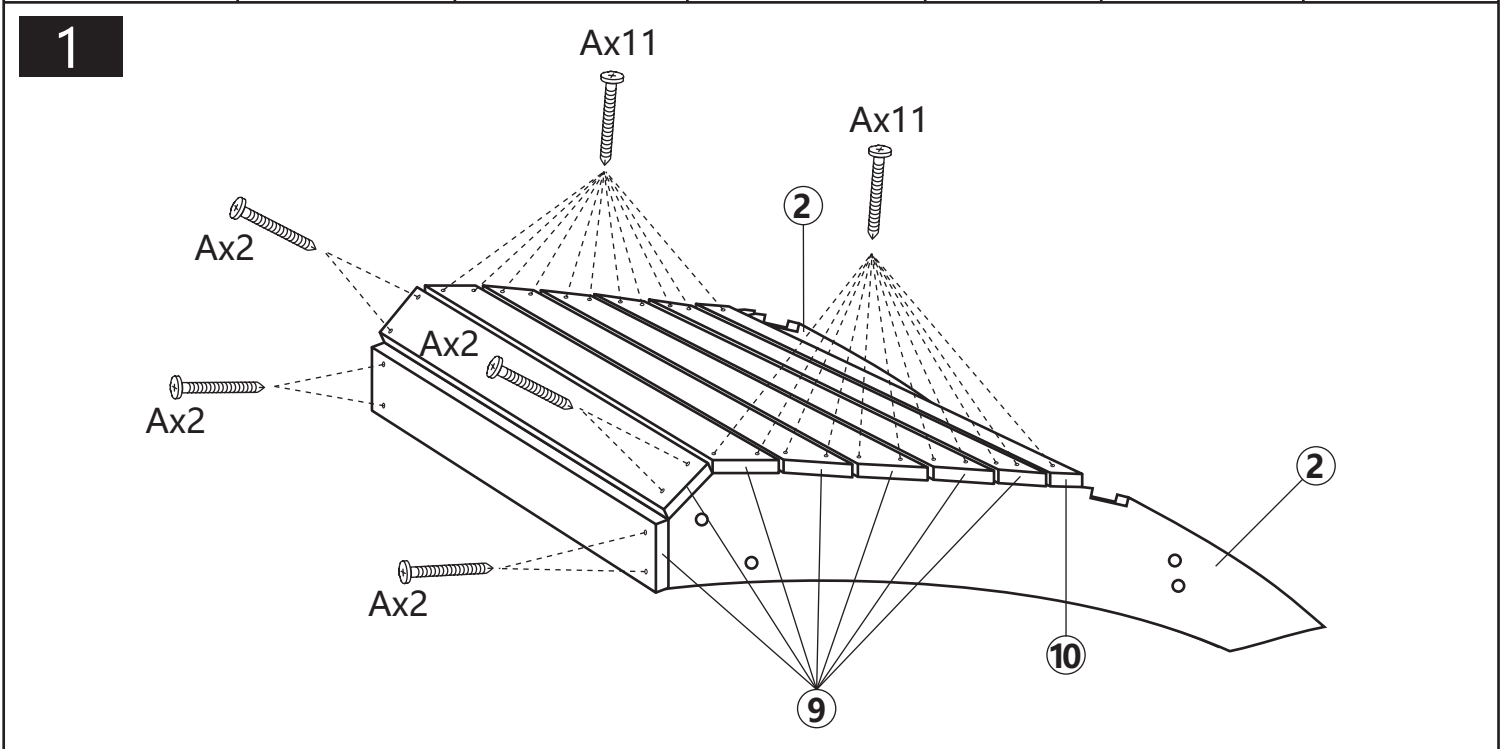
FOLDABLE **ADIRONDACK CHAIR**

USER MANUAL

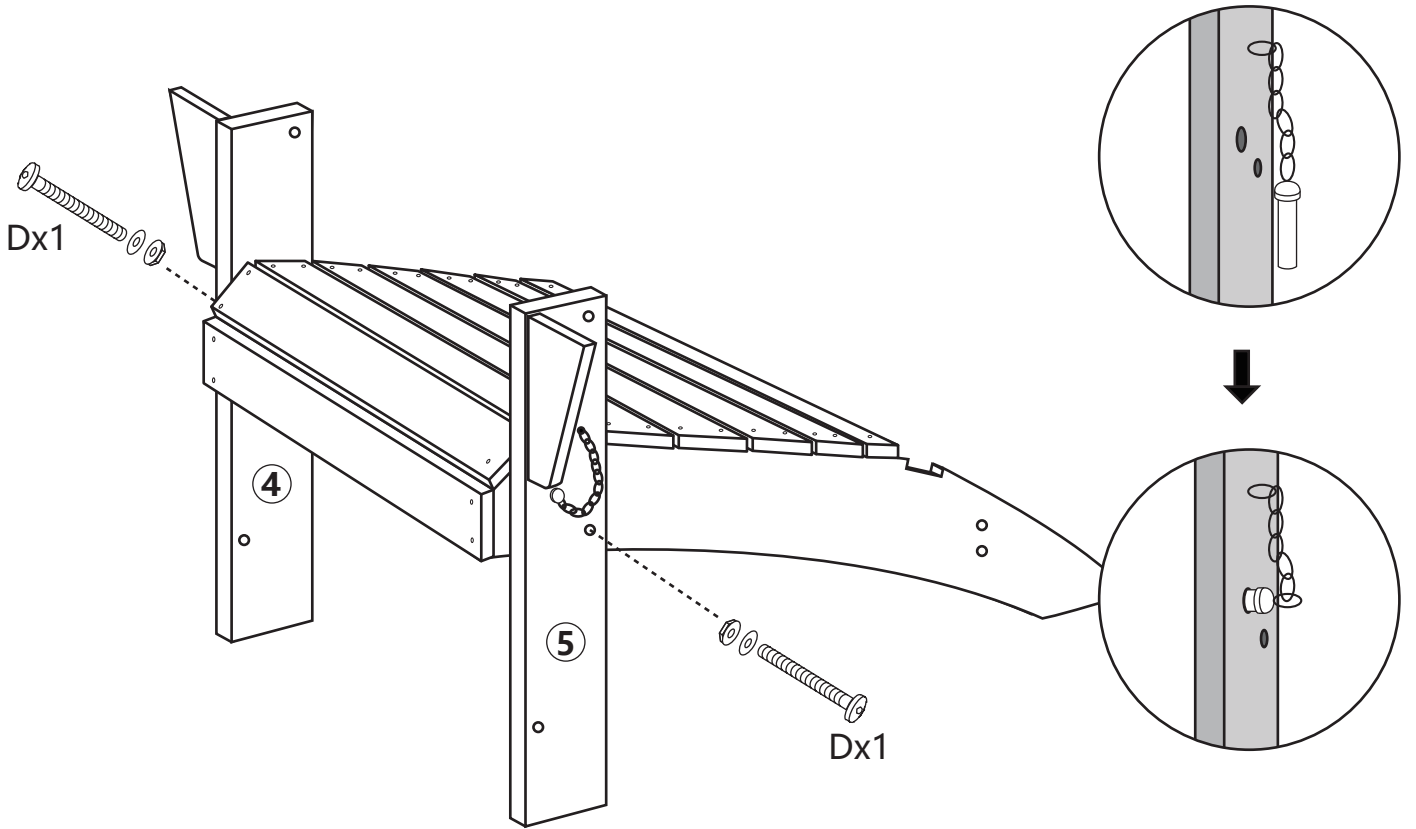
CHAIR PRODUCT LIST AND INSTALLATION STEPS (SAME INSTALLATION STEPS FOR 2 CHAIRS)



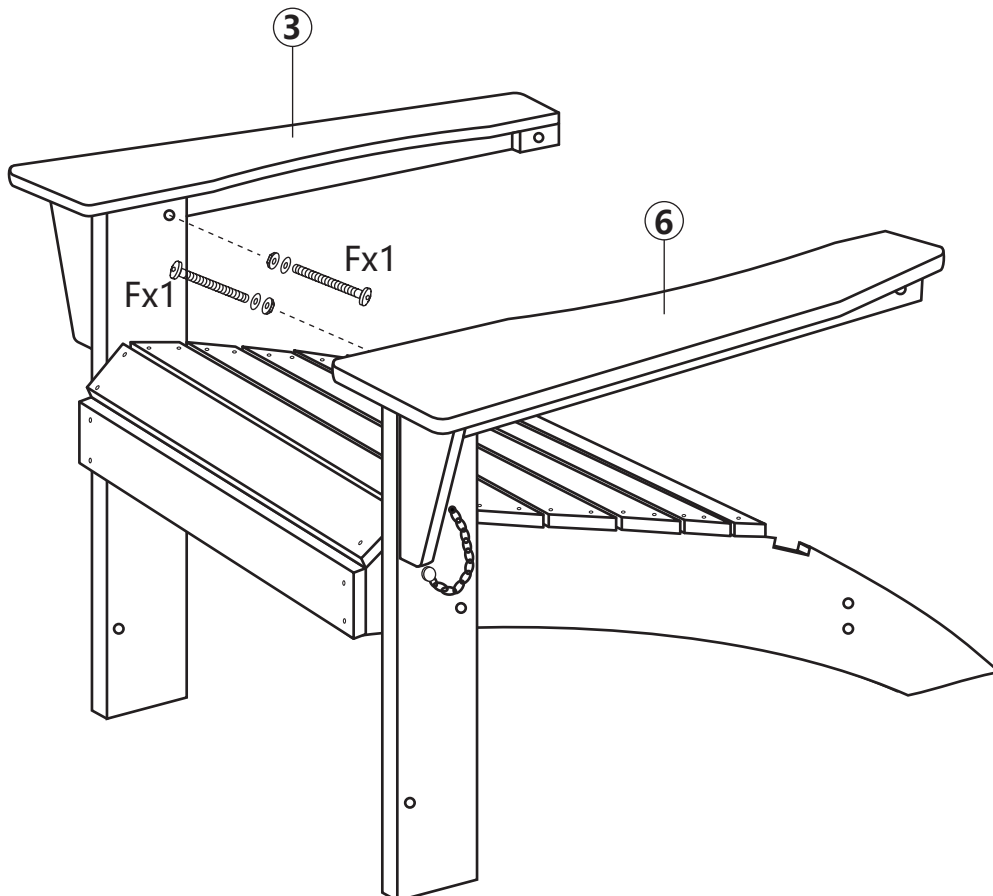
Ax60 M4*35mm	Bx8 M6*40mm	Cx4 M6*45mm	Dx4 M6*50mm	Ex4 M6*60mm	Fx4 M6*60mm	Gx4 M6*70mm
---------------------	--------------------	--------------------	--------------------	--------------------	--------------------	--------------------



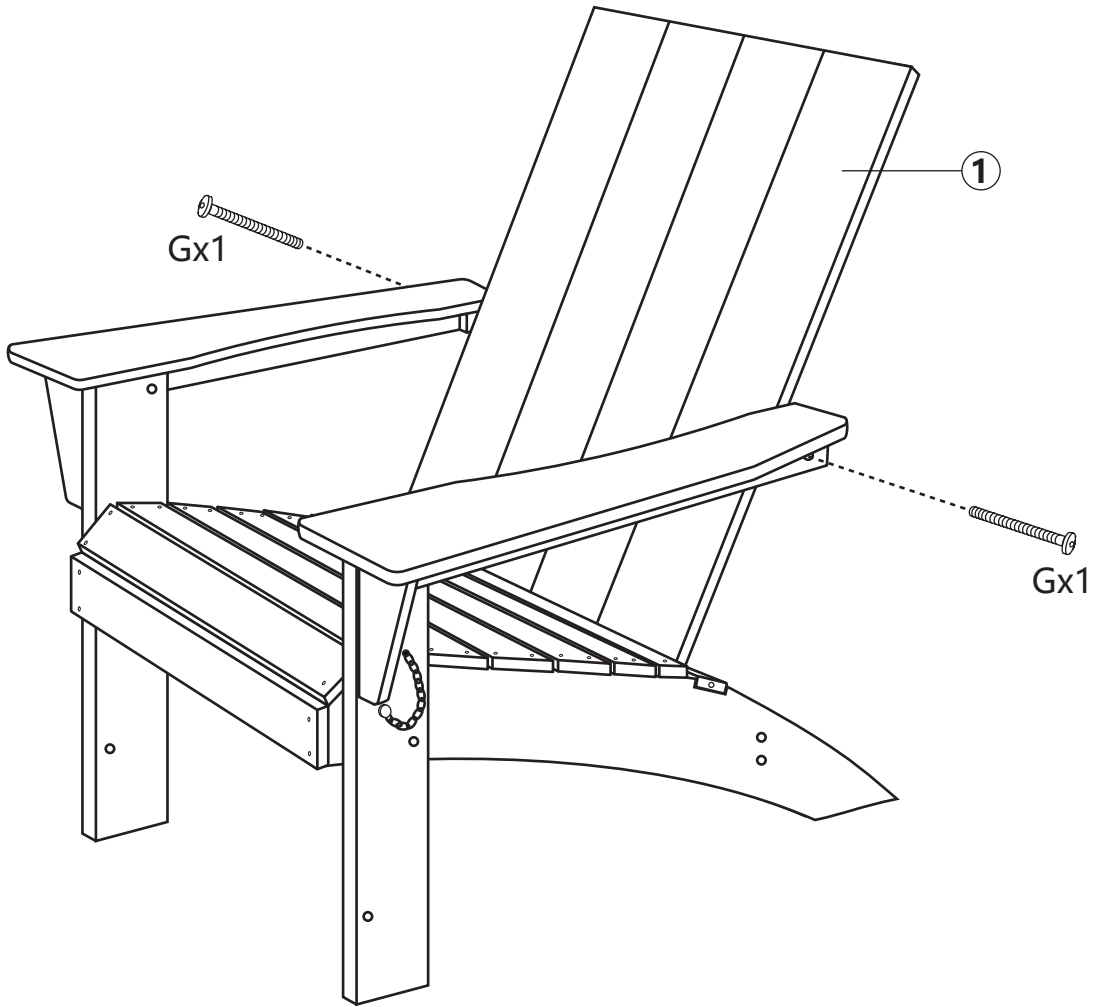
2



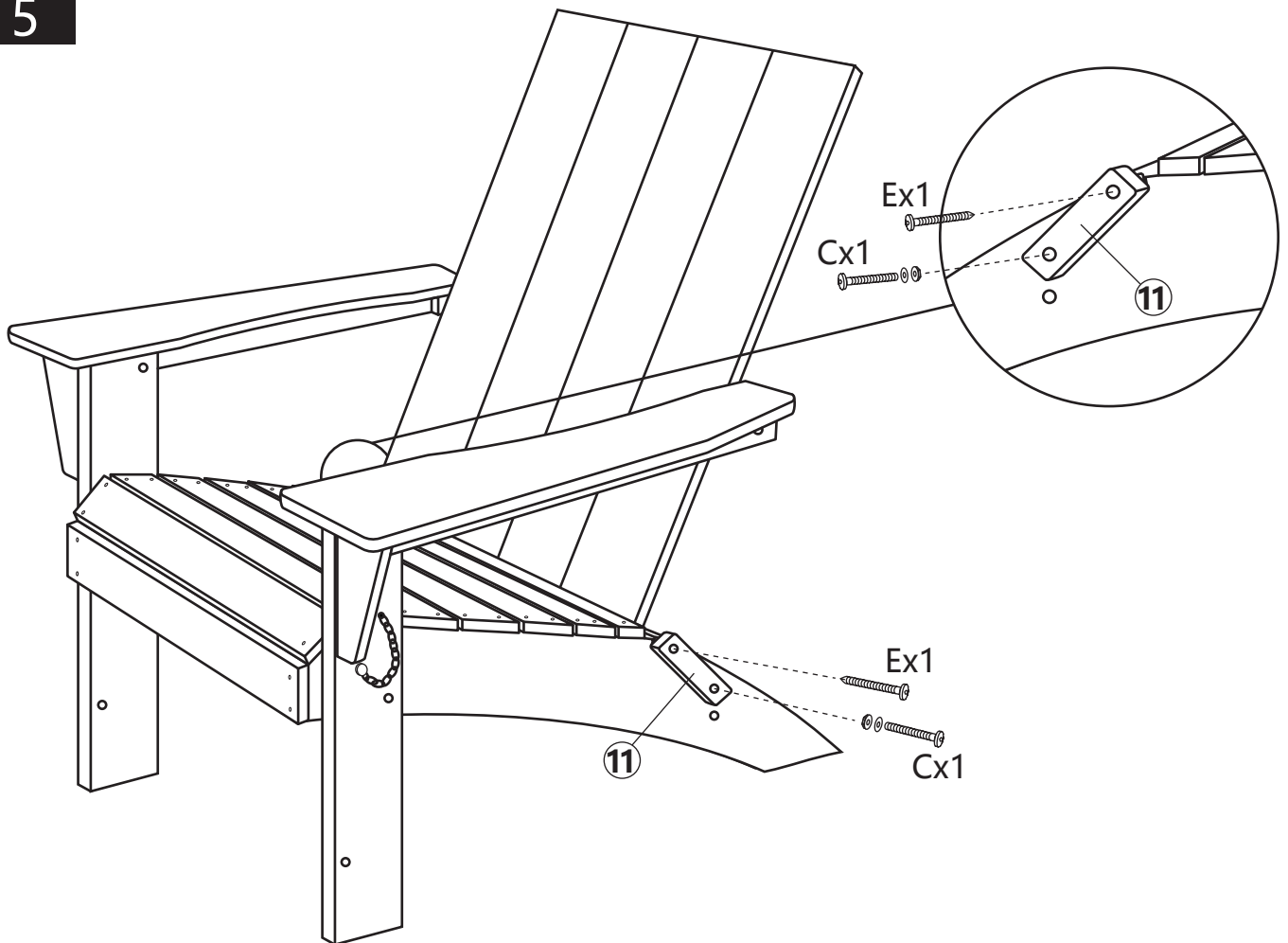
3



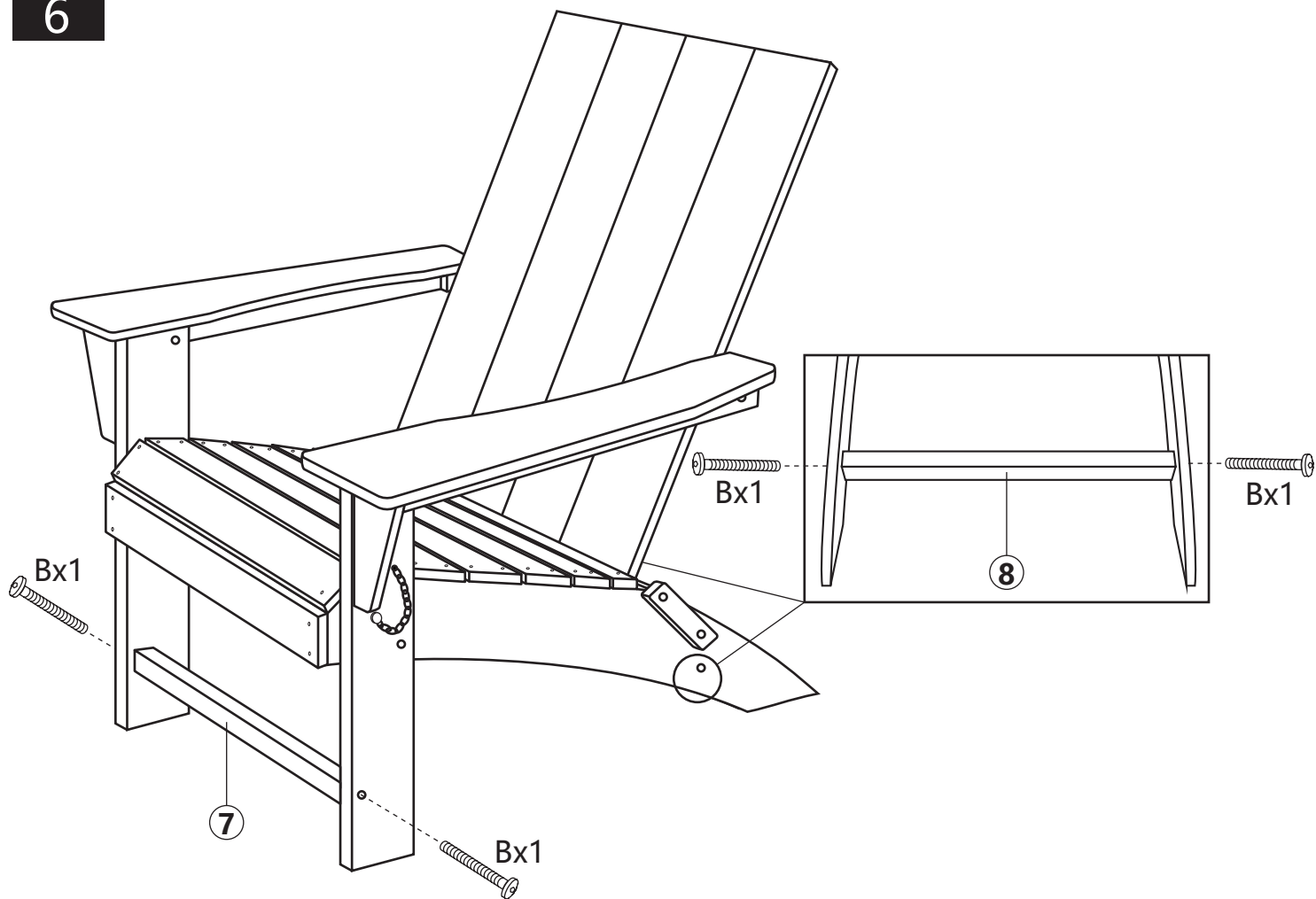
4



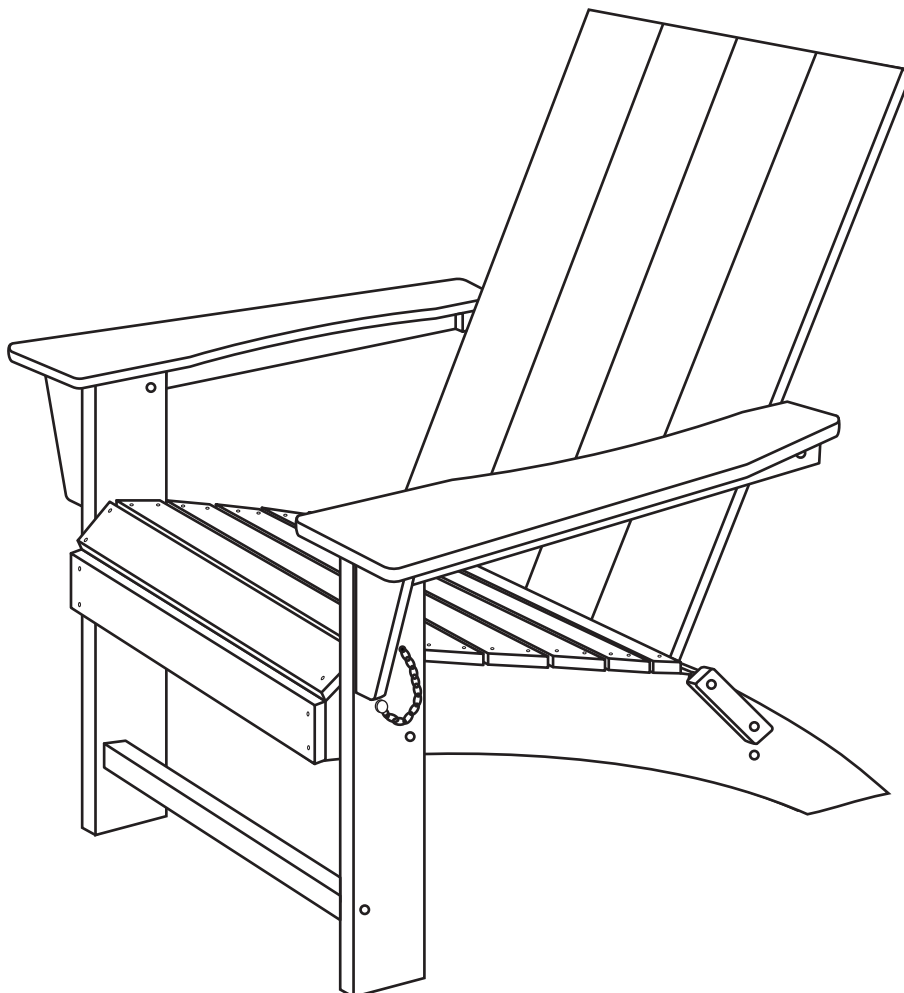
5



6



7



8

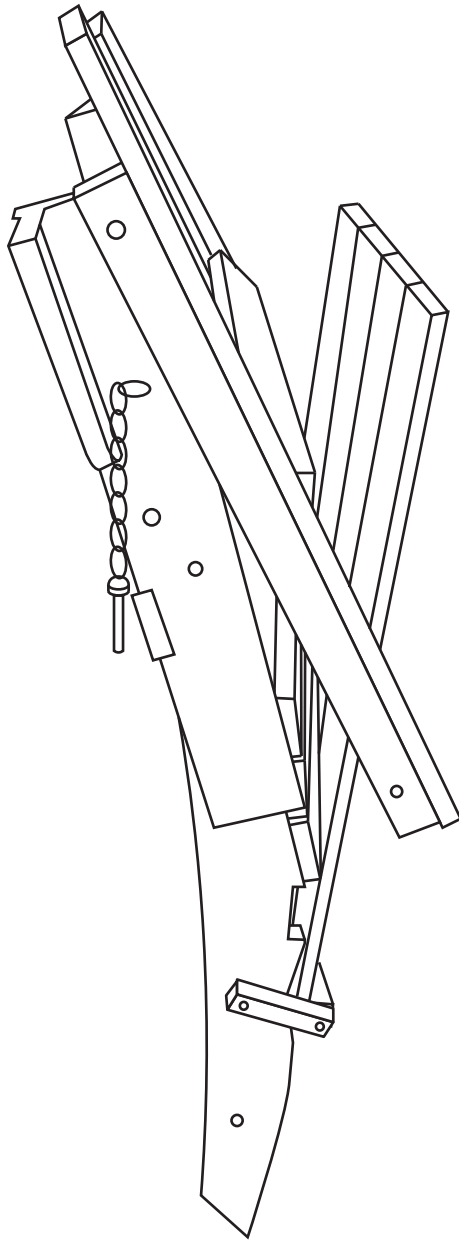
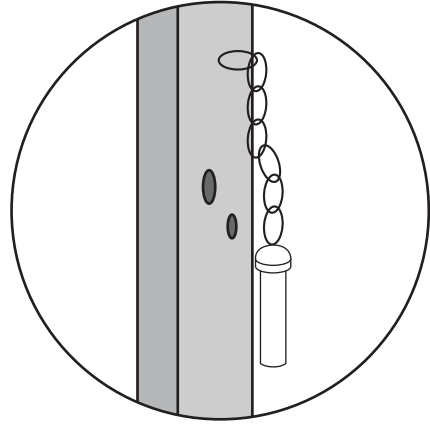
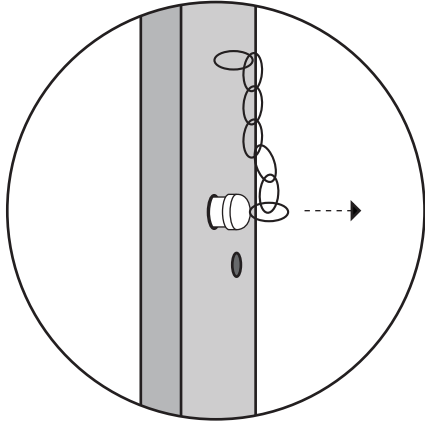
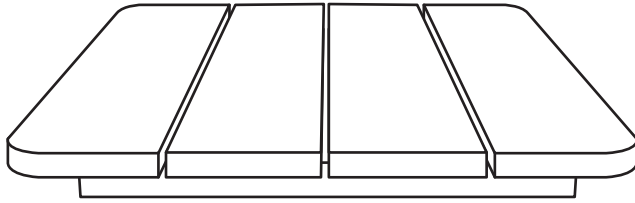


TABLE PRODUCT LIST AND INSTALLATION STEPS

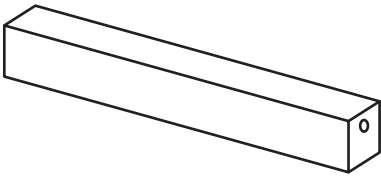
① x1



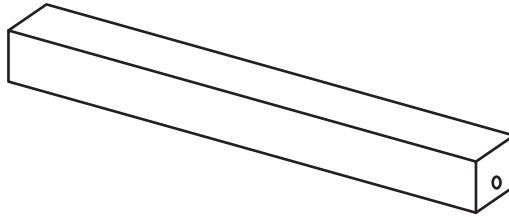
② x4



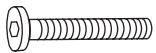
③ x2



④ x2

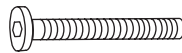


Ax8



M6x40mm

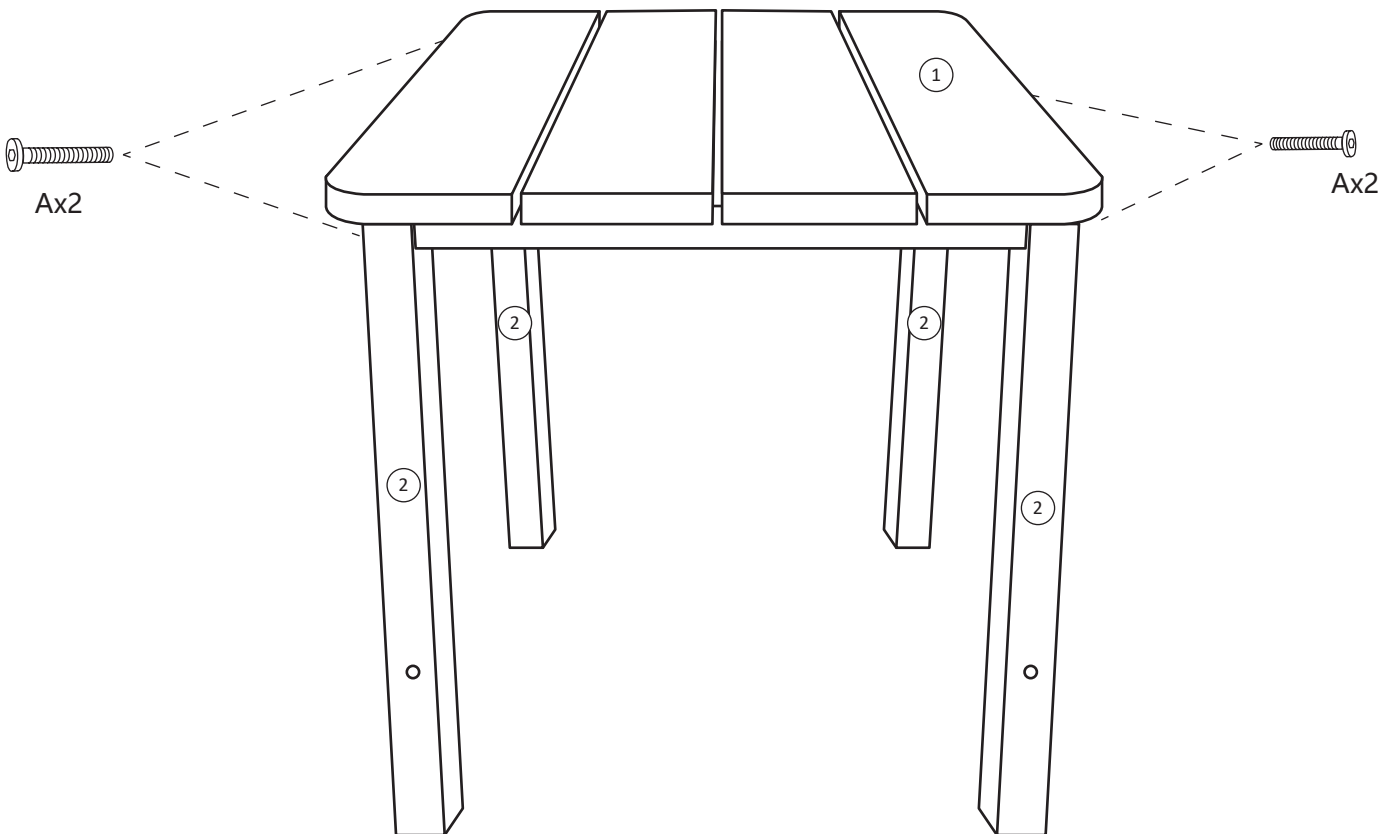
Bx4



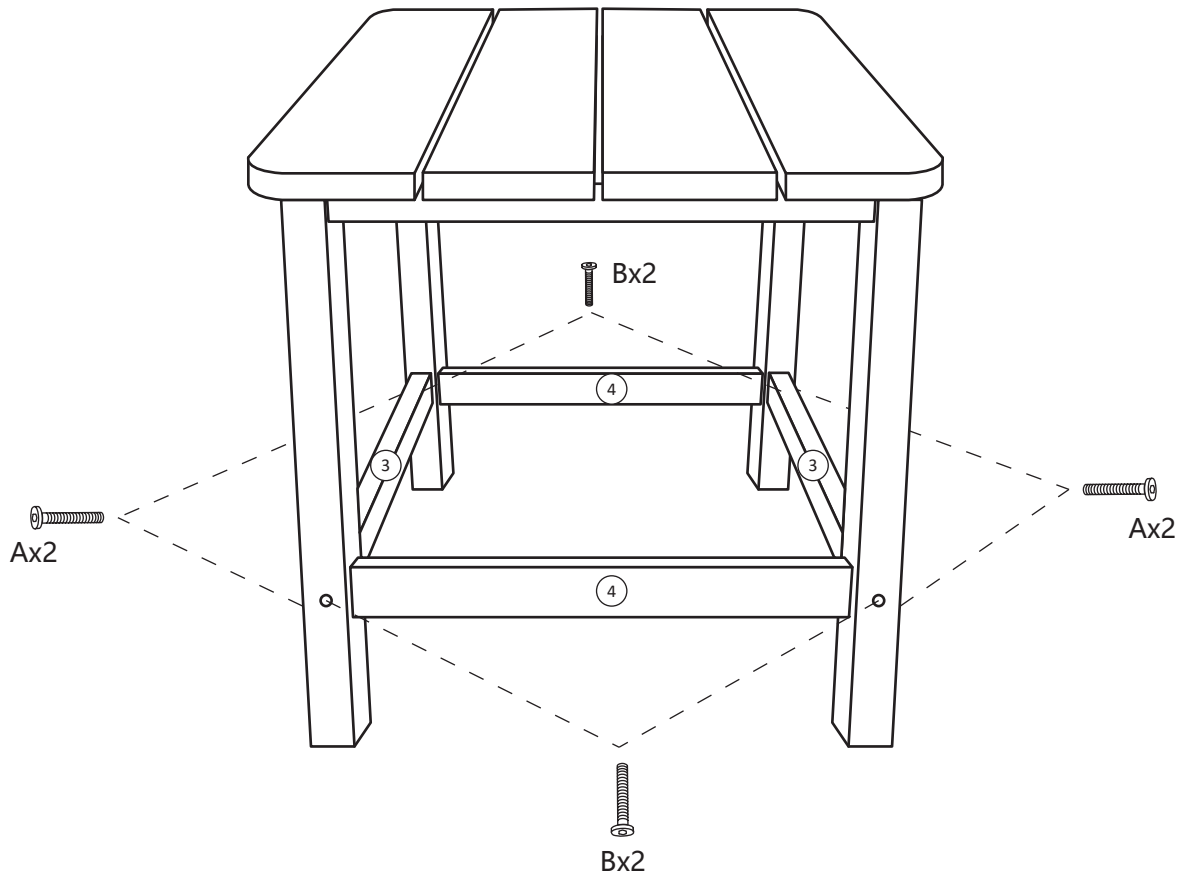
M6x60mm



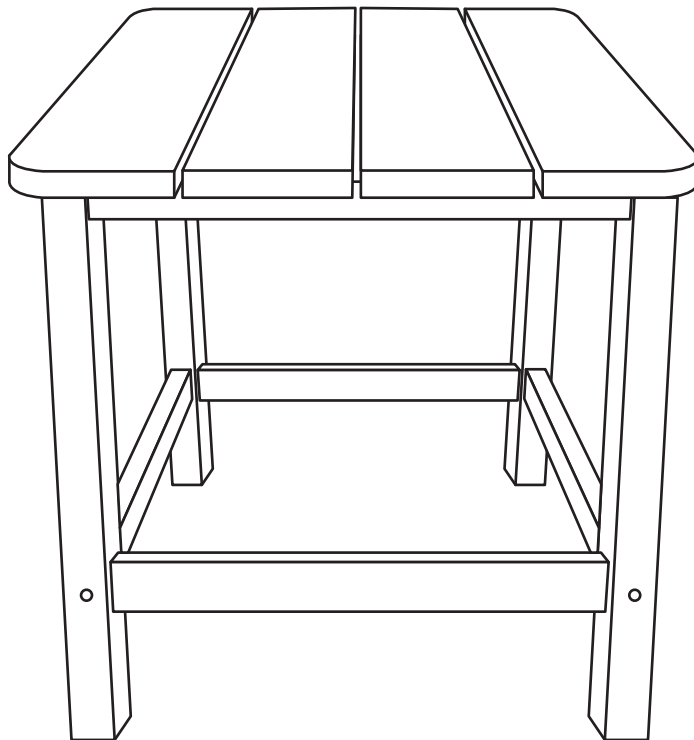
1



2



3



PRODUCT PORTFOLIO RENDERINGS

