

HOMESTEAD

FOOSBALL TABLE



Warning

Adult Assembly Required

Asamblea de adultos de advertencia necesaria



MODEL # / No. de Homestead

#26-1255

Assembly and Instructions/Asamblea e Instrucciones

Congratulations!

We hope you will have many hours of enjoyable use with your new Foosball Table!



PLEASE KEEP YOUR INSTRUCTIONS!

- Your Model number is necessary should you need to contact us.
- Please read through this instruction book to familiarize yourself with all the parts and assembly steps.
- Refer to the Parts Identifier and verify that all parts have been included.



WARNING!

This is not a child's toy. Adult supervision is required for children playing this game. Please read instructions carefully. Proper use of this set can avoid damage or injury.



BEFORE ASSEMBLY:

- Did you receive 1 box?
- Did you inspect your playfield/main table frame before assembly? It is not replaceable and must be returned to the original place of purchase if damaged.



TOOLS REQUIRED FOR ASSEMBLY:

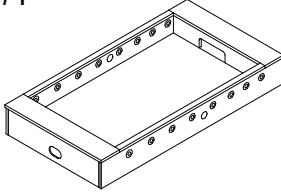
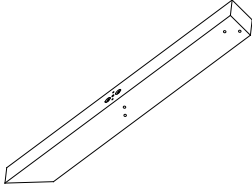
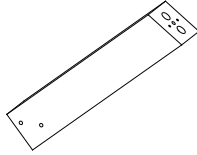
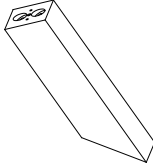
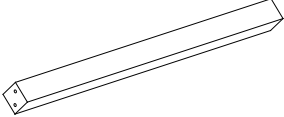
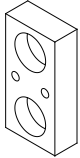

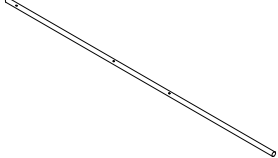
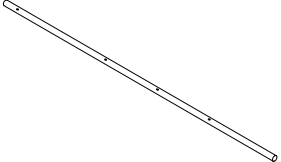
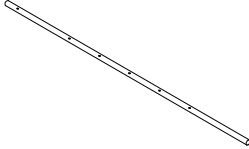
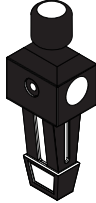
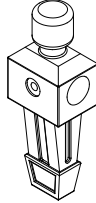

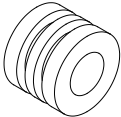
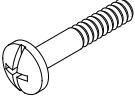
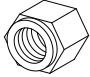
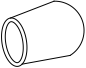
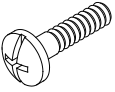
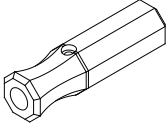
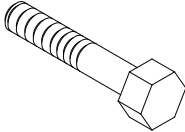
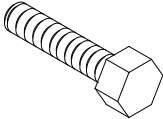
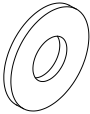
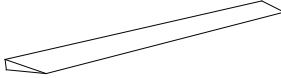
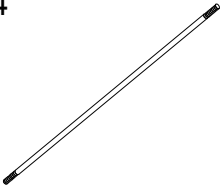
- Phillips and Slotted Head Screwdrivers / or Power Driver (not included)
- Allen Wrench (included)

ASSEMBLY INSTRUCTIONS:

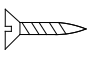
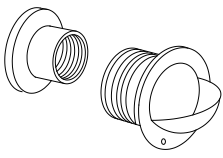
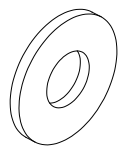
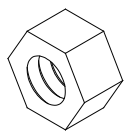
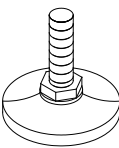
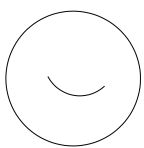
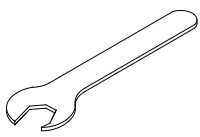
We recommend that two adults work together to assemble this table.

- The table will be assembled upside down This is a very heavy table and turning it right side up will require at least two strong adults.
- We suggest that you use the bottom carton as a clean flat work area to protect the top of your foosball table while assembling.

Parts List

<p>#1</p>  <p>Main cabinet 1 Piece</p>	<p>#2</p>  <p>Left leg 2 Pieces</p>	<p>#3</p>  <p>Right leg A 2 Pieces</p>	<p>#4</p>  <p>Right leg B 2 Pieces</p>
<p>#5</p>  <p>Leg connector 1 Piece</p>	<p>#6</p>  <p>Bolt Plate 2 Pieces</p>	<p>#7</p>  <p>Tenon 12 Pieces</p>	<p>#8</p>  <p>Two player rod 2 Pieces</p>
<p>#9</p>  <p>Three player rod 4 Pieces</p>	<p>#10</p>  <p>Five player rod 2 Pieces</p>	<p>#11</p>  <p>Black 13 Pieces</p>	<p>#12</p>  <p>Silver 13 Pieces</p>
<p>#13</p>  <p>5/8"X38mm Plastic washer 16 Pieces</p>	<p>#14</p>  <p>Bumper 16 Pieces</p>	<p>#15</p>  <p>8#X1" Screw 26 Pieces</p>	<p>#16</p>  <p>Lock Nut 26 Pieces</p>
<p>#17</p>  <p>Rod end cap 8 Pieces</p>	<p>#18</p>  <p>T5X15mm 8 Pieces</p>	<p>#19</p>  <p>Rod handle 8 Pieces</p>	<p>#20</p>  <p>5/16"X5" Bolt 8 Pieces</p>
<p>#21</p>  <p>5/16"X1-1/4" Bolt 16 Pieces</p>	<p>#22</p>  <p>5/16" Washer 24 Pieces</p>	<p>#23</p>  <p>Playfield Trim 2 Pieces</p>	<p>#24</p>  <p>Long support rod 2 Pieces</p>

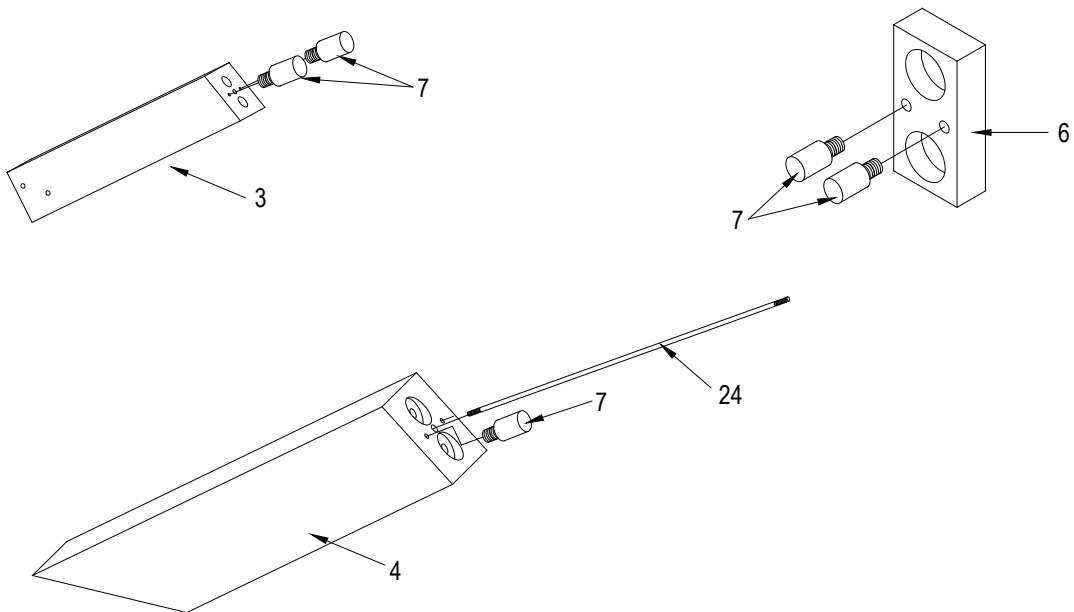
Parts List

<p>#25</p>  <p style="text-align: center;">F4X1/2" Screw 2 Pieces</p>	<p>#26</p>  <p style="text-align: center;">Ball entry cup 2 Pieces</p>	<p>#27</p>  <p style="text-align: center;">5/16"X35mm Washer 2 Pieces</p>	<p>#28</p>  <p style="text-align: center;">5/16" Nut 2 Pieces</p>
<p>#29</p>  <p style="text-align: center;">Leg leveler 4 pieces</p>	<p>#30</p>  <p style="text-align: center;">White Ball 4 Pieces</p>	<p>#31</p>  <p style="text-align: center;">Wrench 1 Piece</p>	

Step 1:

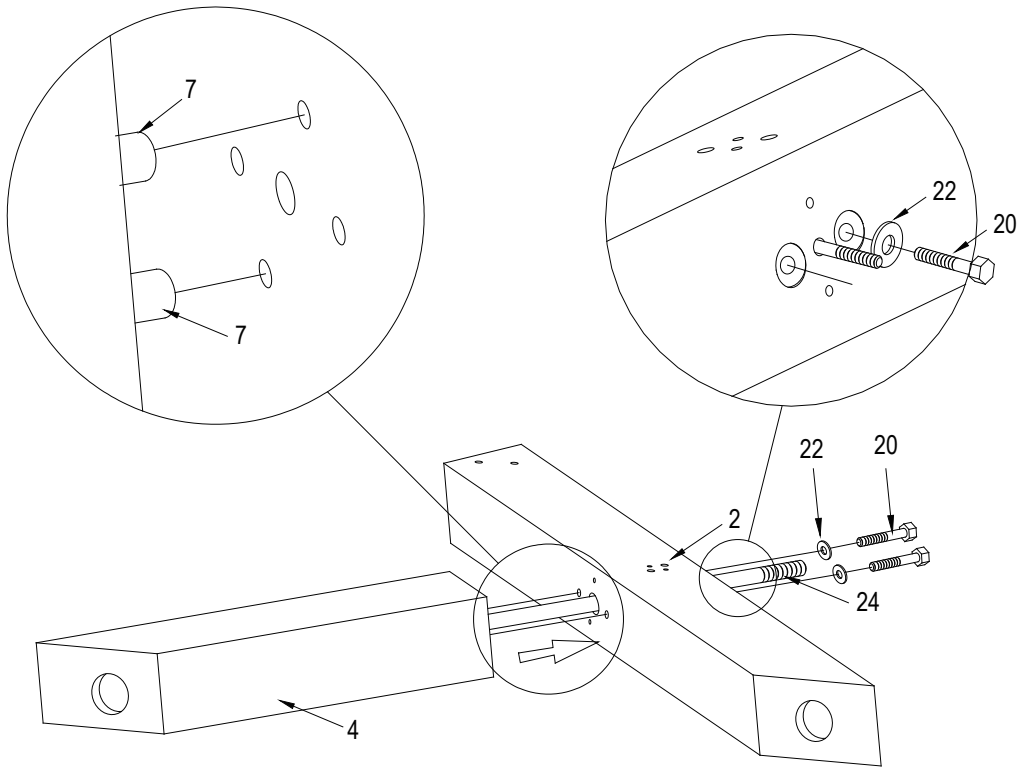
Screw #7 tenon in to #3 Leg A, #4 Leg B, and #6 Wood blocks.

Screw #24 iron rod in to #4 Leg B. Repeat these steps for both sets of legs.



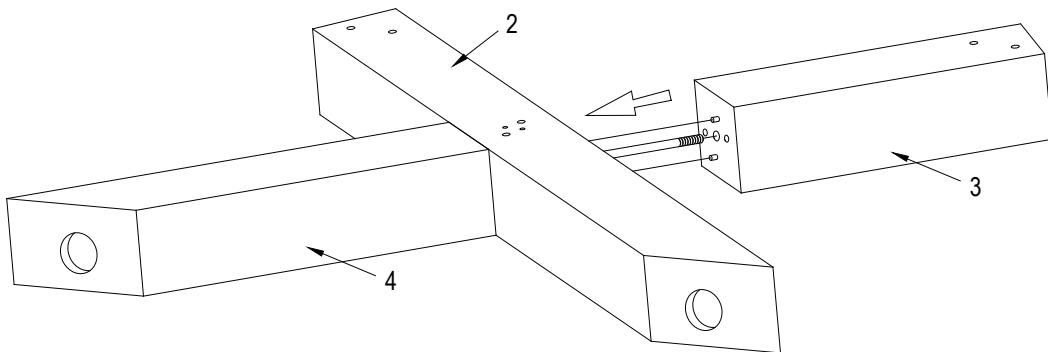
Step 2:

Attach #4 Leg B through #2 Left Leg using .tight with #22 washer and #20 bolt.



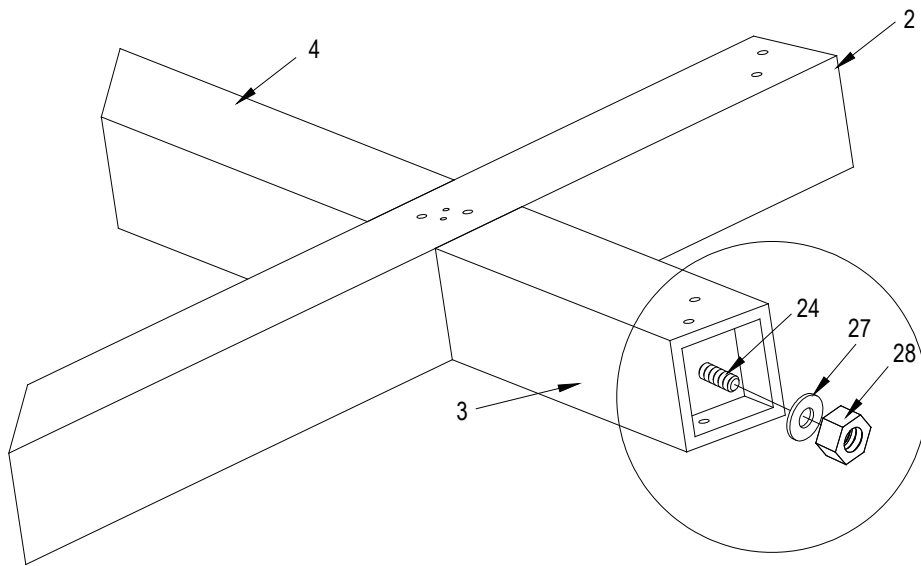
Step 3:

Attach #3 Leg A through .



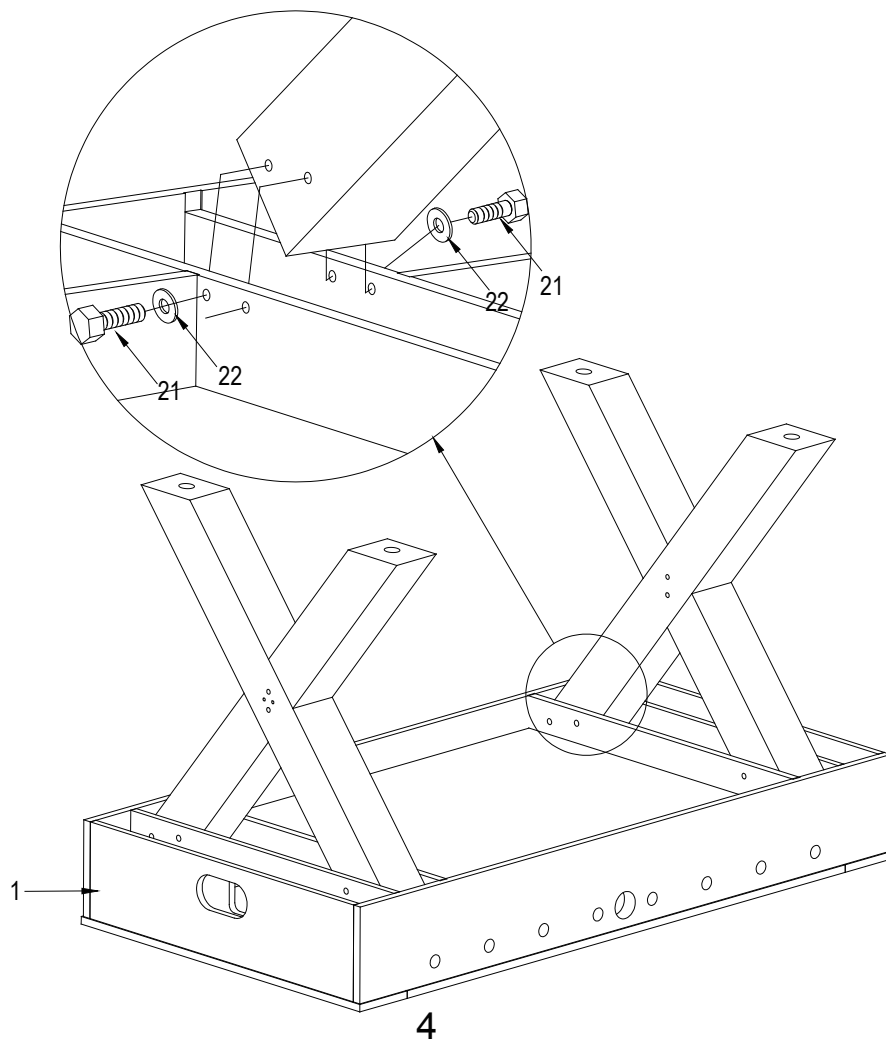
Step 4:

tightening with #27 washer and #28 nut. Repeat this process for both legs.



Step 4:

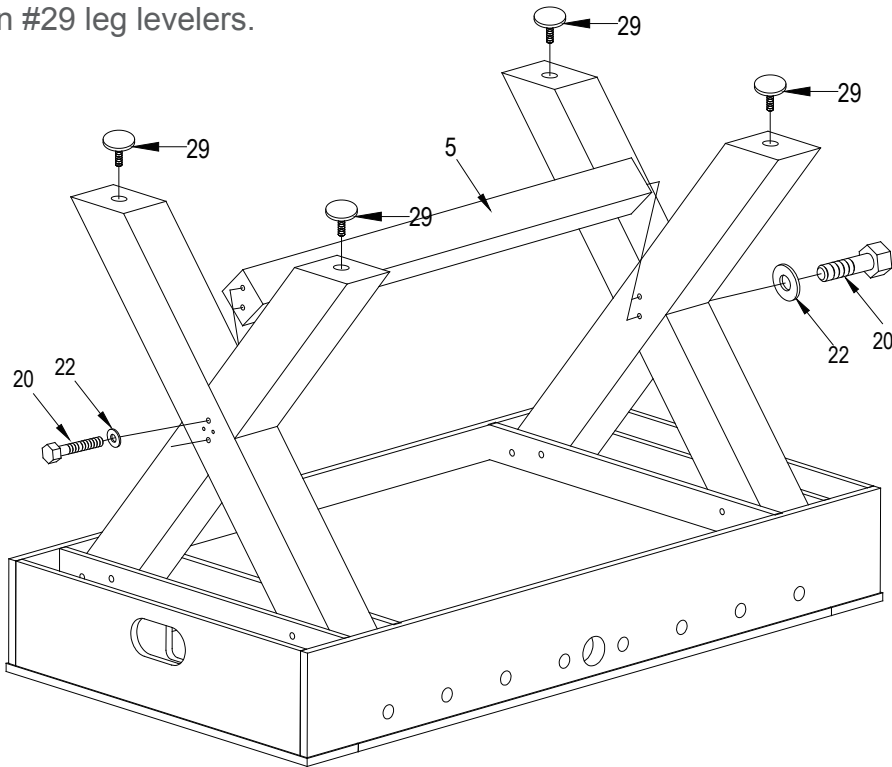
Attached the assembled leg set to the main cabinet using #22 washers and #21 bolts



Step 6:

Attach #5 leg connector to both assembled legs using #22 washer and #20 bolt.

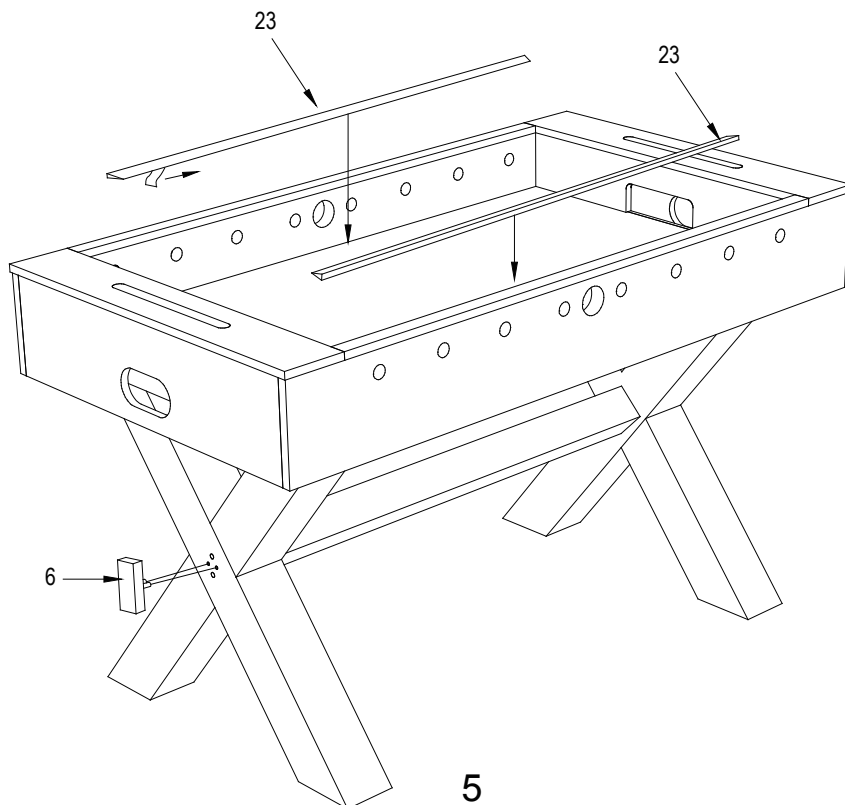
Then screw in #29 leg levelers.



Step 7:

Using two strong adults turn the table right side up. Tear off the paper from #23 trim and paste on both side edges of the playfield.

Insert #6 wood block on to leg, repeat on both sides.



Step 8:

Note: set the rods into the right position according to the artwork.

The players of each team should be right-side up, facing their opponent's goal, follow the diagram below for proper rod placement

Slide one end of the player rods (#8, #9, #10) through the main cabinet according to the diagram below to identify where the two, three, and five player rods go in the cabinet.

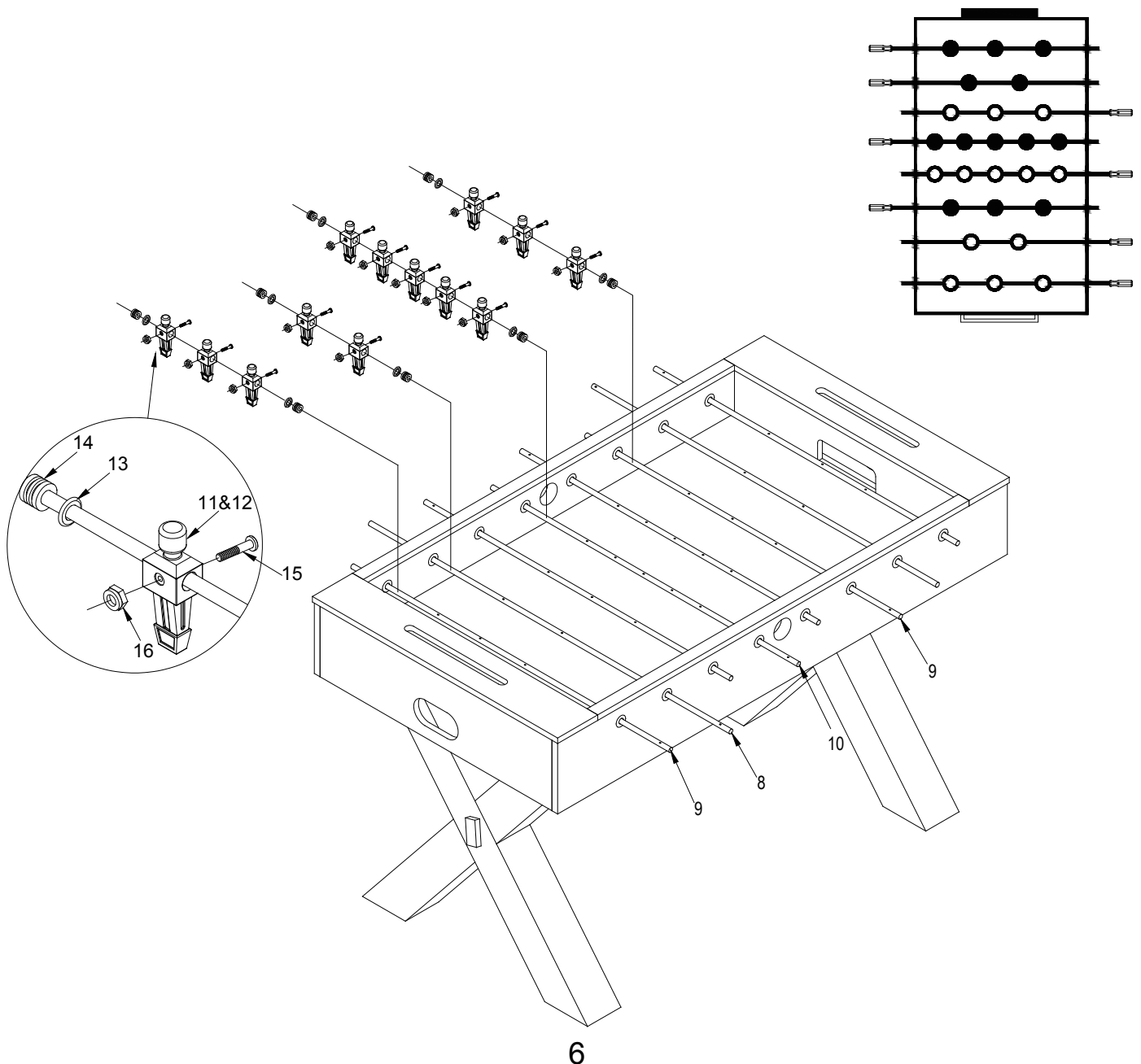
Player rod assembly:

Place one #14 bumper & one #13 washer on the rod

Place the appropriate number of #11 or #12 players on the rod (3 players on the 3-hole rod, 2 players on the 2-hole rod, etc.) Attach the #8 or #9 players to the rod using #15 screw and #16 lock nut Place one #13 washer & one #14 bumper on the other end of rod.

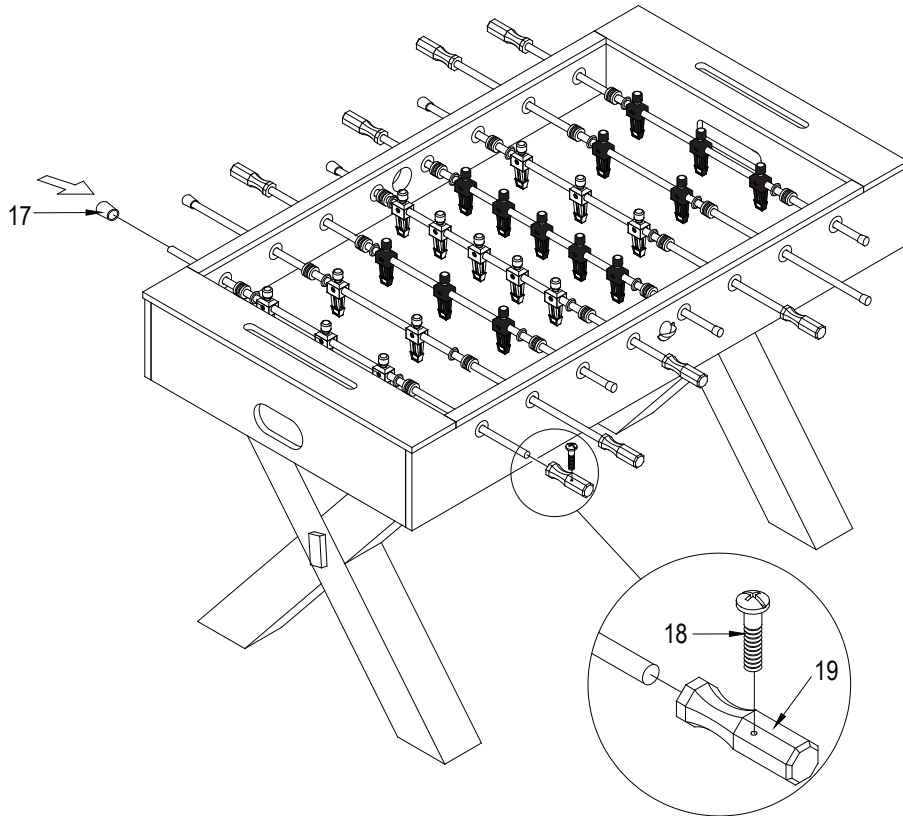
Slide the rods through the other end of the cabinet

Repeat the process for each rod



Step 9:

Attach the #17 handle to the rods using #18 screw. Put the #19 rod end cap on the other end of the rod,



Step 10:

Attach the #26 ball entry cup to the main cabinet using #25 screw.

Then assembly is complete.

