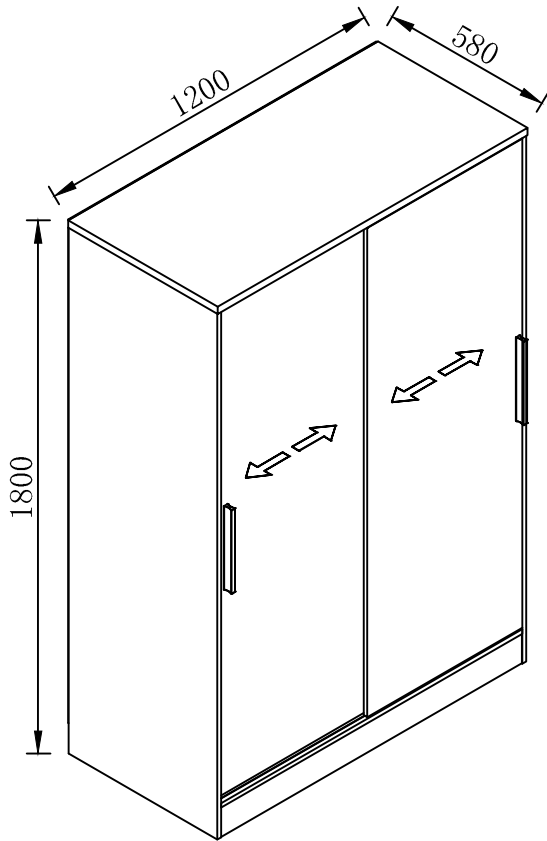


REFLECT - 2 DOOR SLIDING WARDROBE ASSEMBLY INSTRUCTIONS

please read the instructions thoroughly BEFORE assembling



Size:(W)1200 x (D)580 x (H)1800mm



Please take care with small parts



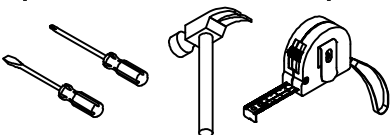
Please do not move item when part or fully assembled

Please Read these instructions BEFORE starting to assemble, to familiarise yourself with the stages of construction and to plan where to assemble the wardrobe. (as moving the item whilst partly assembled or failing to lift the item when fully assembled will cause damaged)

CAREFULLY open the fittings kit and check all parts are present against the instructions. Please DO NOT destroy or dispose of any packing until AFTER completing the final stage of assembly.

CAUTION: Small components are to be KEPT AWAY from young children to avoid the risk of choking.

Tools Required (NOT PROVIDED)



Person Required



Approximate Assembly Time



1 Hour

IMPORTANT SAFETY AND ITEM CARE INFORMATION - PLEASE READ THOROUGHLY AND RETAIN INSTRUCTIONS FOR FUTURE REFERENCE

INFORMATION

- This product is intended for a maximum weight of 50kgs . **DO NOT Exceed** this weight as this would cause structural damage and failures
- Due to the size of this product we recommend that it is assembled in the room intended for use, as close to the final position as possible
- When you are ready to start, make sure that you have the right tools, plenty of space and a clean, dry area for assembly.
- Unwrap all packaging materials and place the components on top of the carton box or on a clean floor to prevent it from scratching.
- Check the pack and make sure you have all the parts listed.
- Ensure that this product is fully assembled as illustrated before use.
- Check all screws or bolts are tightened and inspect regularly.
- This product should only be used on firm, level ground.
- Keep small parts out of reach of children.
- Make sure the feet are securely in contact with the ground
- Tools not included.

WARNINGS

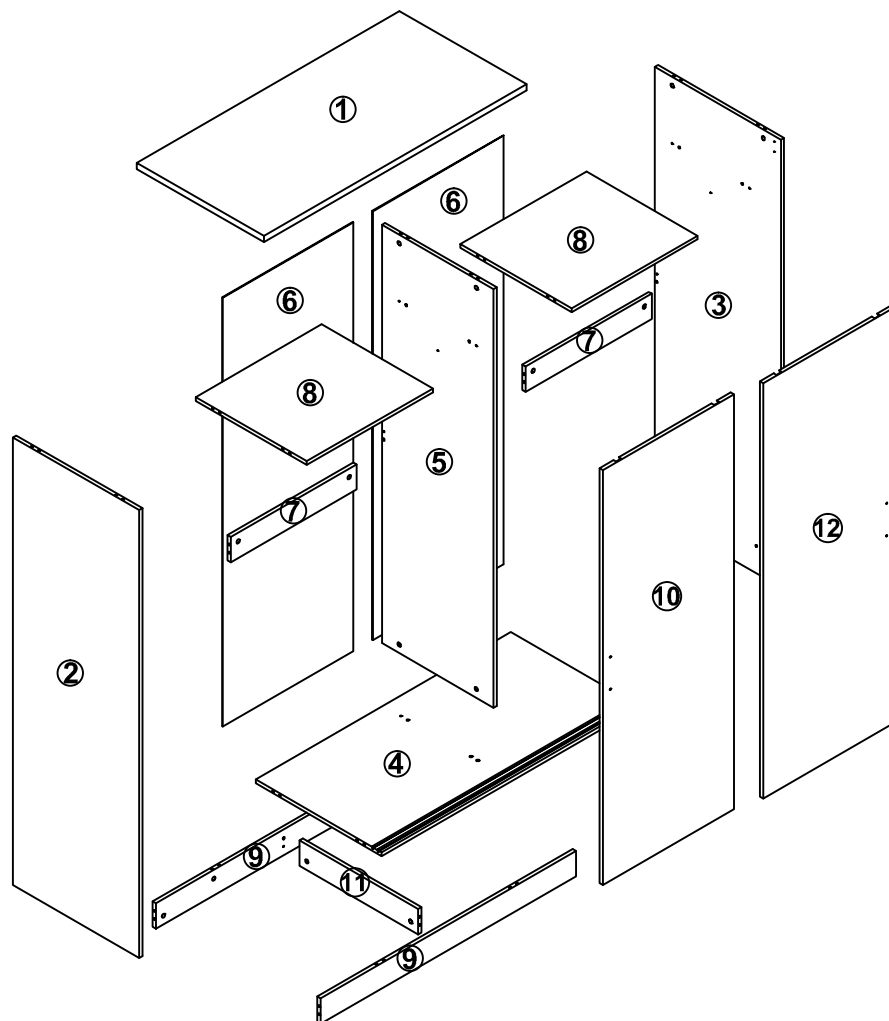
- Do NOT use power tools to construct this product.
- Do NOT tighten screws until fully assembled .
- Do NOT over tighten screws or bolts .
- Do NOT use this product if parts are missing , damaged or worn .
- Do NOT sit or stand on the product .
- We recommend the use of the wall strap provided for safety reasons . N.B. Wall fixings are not included - please source suitable fixings for your wall type . if in doubt please consult a qualified trade person. Warning: Always ensure the area to be drilled is free from hidden electrical wires , water and gas pipes.

CARE INFORMATION

- Never use scourers , abrasives or chemical cleaners.
- To clean wipe with a sponge and warm soapy water . do not use solvent based cleaners or detergents as they can bleach or damage the product.

Please check the pack contents before assembling the product . if any components are missing, please contact your retailer.the fittings pack contains small items that should be kept away from small children.

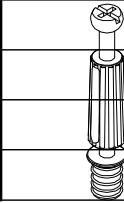
CODE	PART NAME	QTY	CODE	PART NAME	QTY
1	1200 X 580 X 25MM TOP PANEL	1PC	7	575 X 100 X 15MM MIDDLE CROSS BAR PANEL	2PCS
2	1770 X 576 X 15MM LEFT HAND SIDE PANEL	1PC	8	575 X 507 X 15MM SHELF PANEL	2PCS
3	1770 X 576X 15MM RIGHT HAND SIDE PANEL	1PC	9	1166 X 100 X 15MM BOTTOM CROSS BAR	2PCS
4	1166 X 575 X 15MM BOTTOM PANEL	1PC	10	1640 X 600 X 15MM LEFT DOOR PANEL	1PC
5	1655 X 510 X 15MM MIDDLE SIDE PANEL	1PC	11	542 X 100 X 15MM BOTTOM CENTRE CROSS BAR	1PC
6	1695 X 597 X 3MM BACK PANEL	2PCS	12	1640 X 600 X 15MM RIGHT DOOR PANEL	1PC



Panels#	Carton	
2.3.5.6.10.12	1 OF 2	
Panels#	Carton	3
1.4.7.8.9.11,FITTING KIT ASSEMBLE INSTRUCTIONS	2 OF 2	

Fixings (to scale)

4 cm
3 cm
2 cm
1 cm
0 cm



Bolt
M6X40mm
A=34



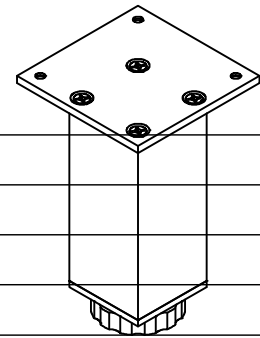
Lock
D15X12mm
B=34



Dowel
D8X30mm
C=34



Screw
M3.5X14mm
D=62



ADJUSTABLE LEG
67X67X100mm
F=4

10 cm
2 cm
1 cm
0 cm



Nail pin
19mm
G=40








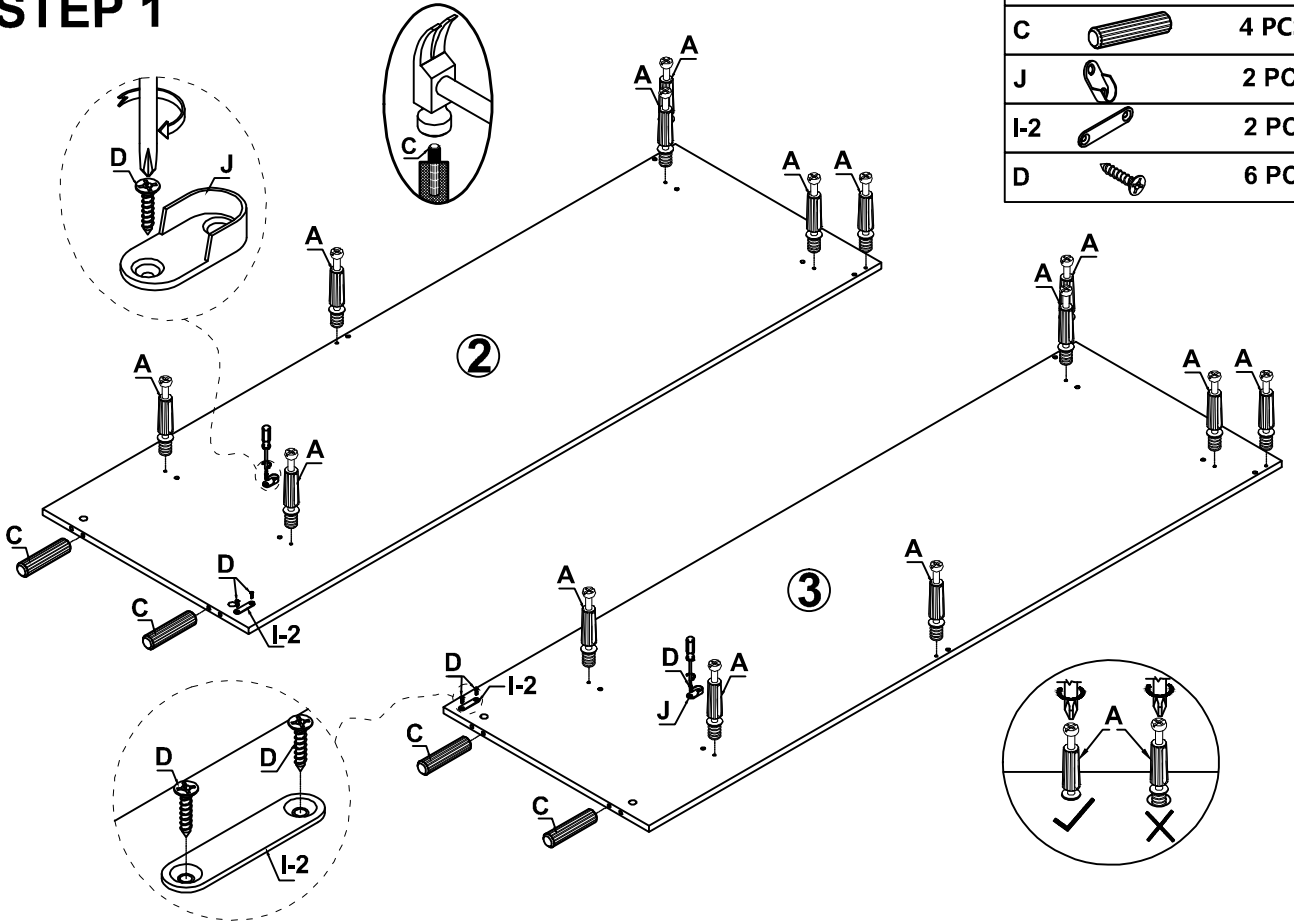
Screw
M4X18mm
H=4

Fixings (not to scale)



Handle L128mm E=2	Magnetic Latch I-1 I=2	Hanging Rail Support J=4	Hanging Rail L569mm=2 K=2	Upper Slider L=4	Lower Slider M=4
Stopper N=1	OPTIONAL REQUIREMENT Bracket/Strap O=1	OPTIONAL Spanner M4 P=1	OPTIONAL CONNECTING SCREWS M6X20mm Q=4		

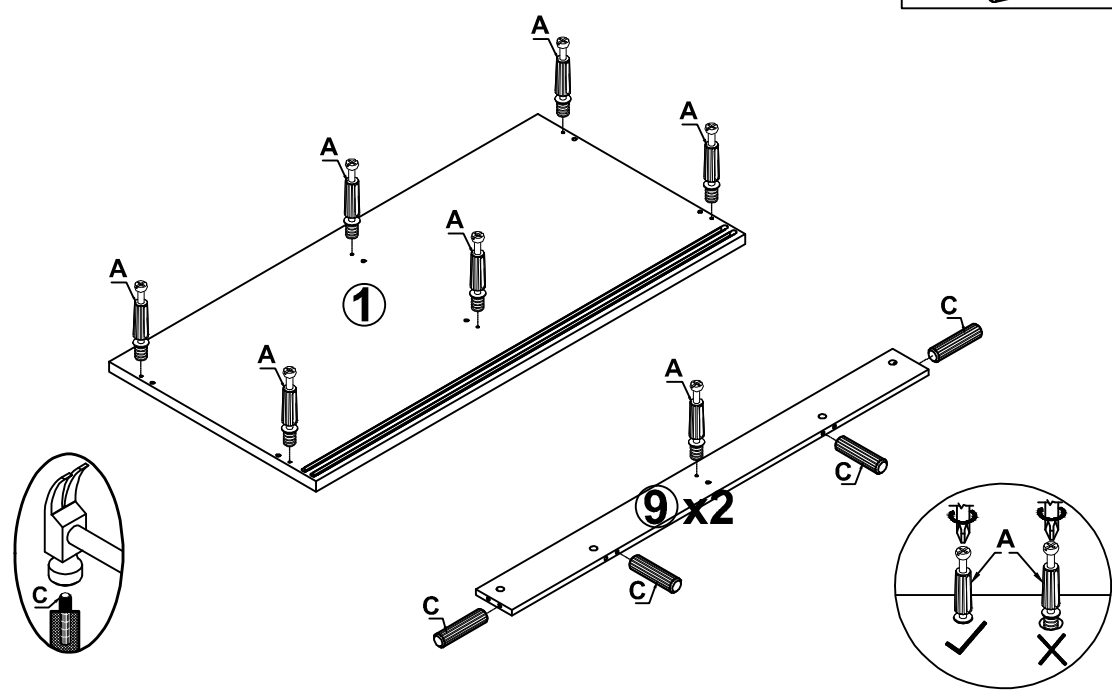
STEP 1

A		14 PCS
C		4 PCS
J		2 PCS
I-2		2 PCS
D		6 PCS





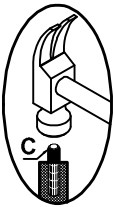
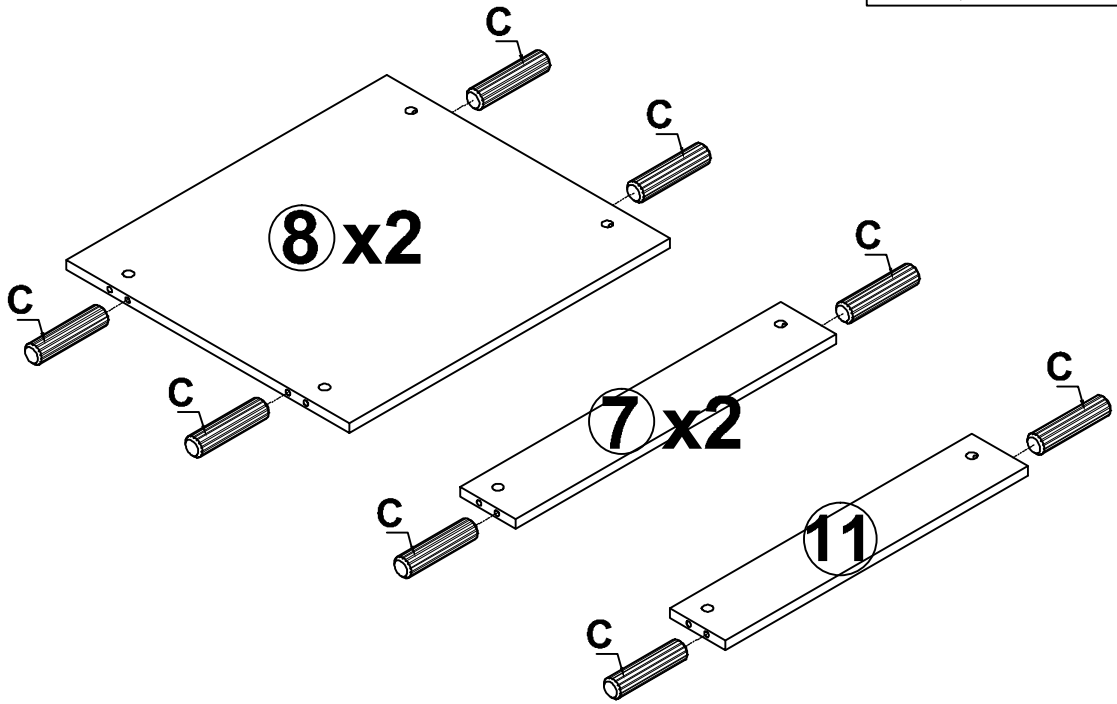
STEP 2

A		8 PCS
C		8 PCS


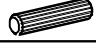




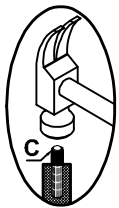
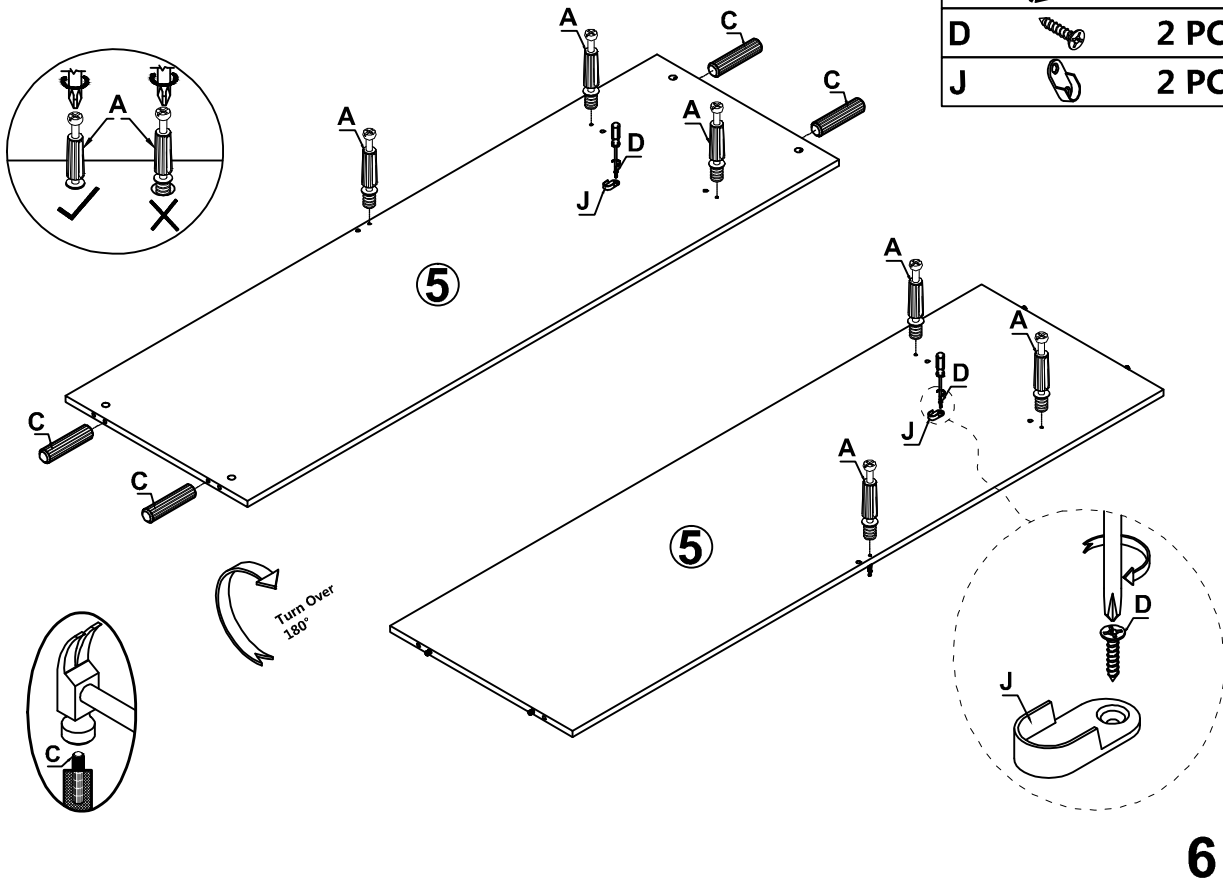
STEP 3

A		14 PCS
C		16 PCS



STEP 4



A		6 PCS
C		4 PCS
D		2 PCS
J		2 PCS

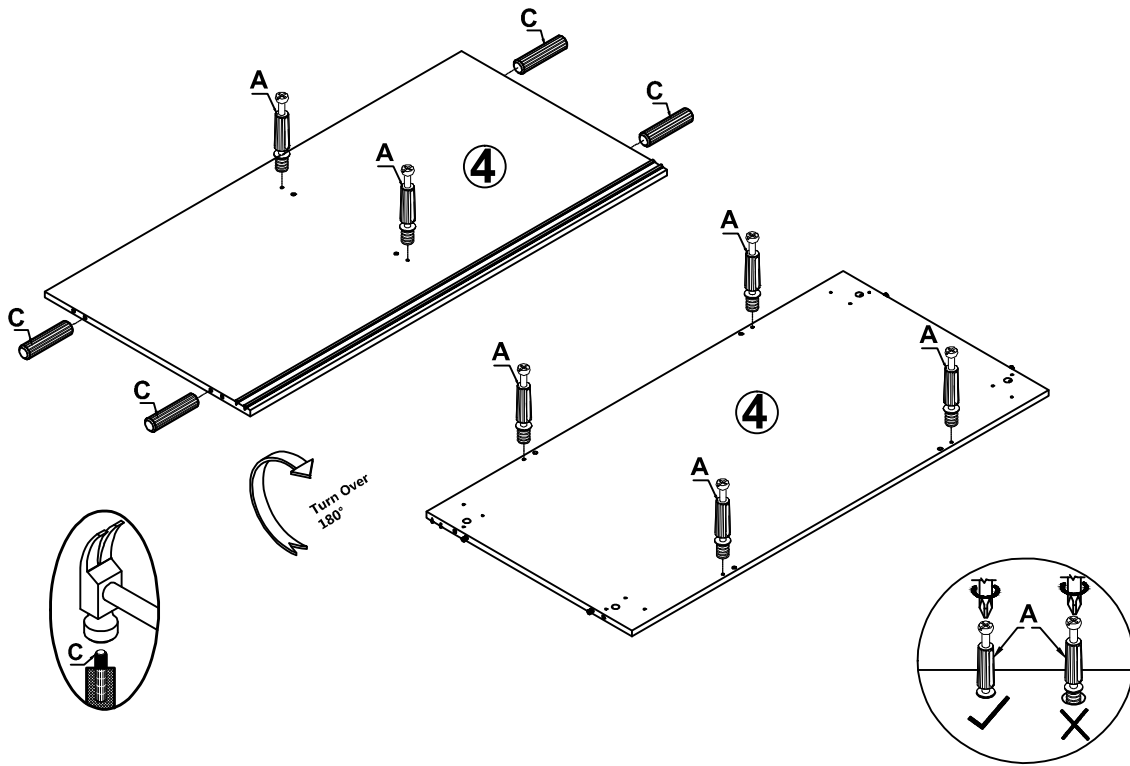


Turn Over
180°






6

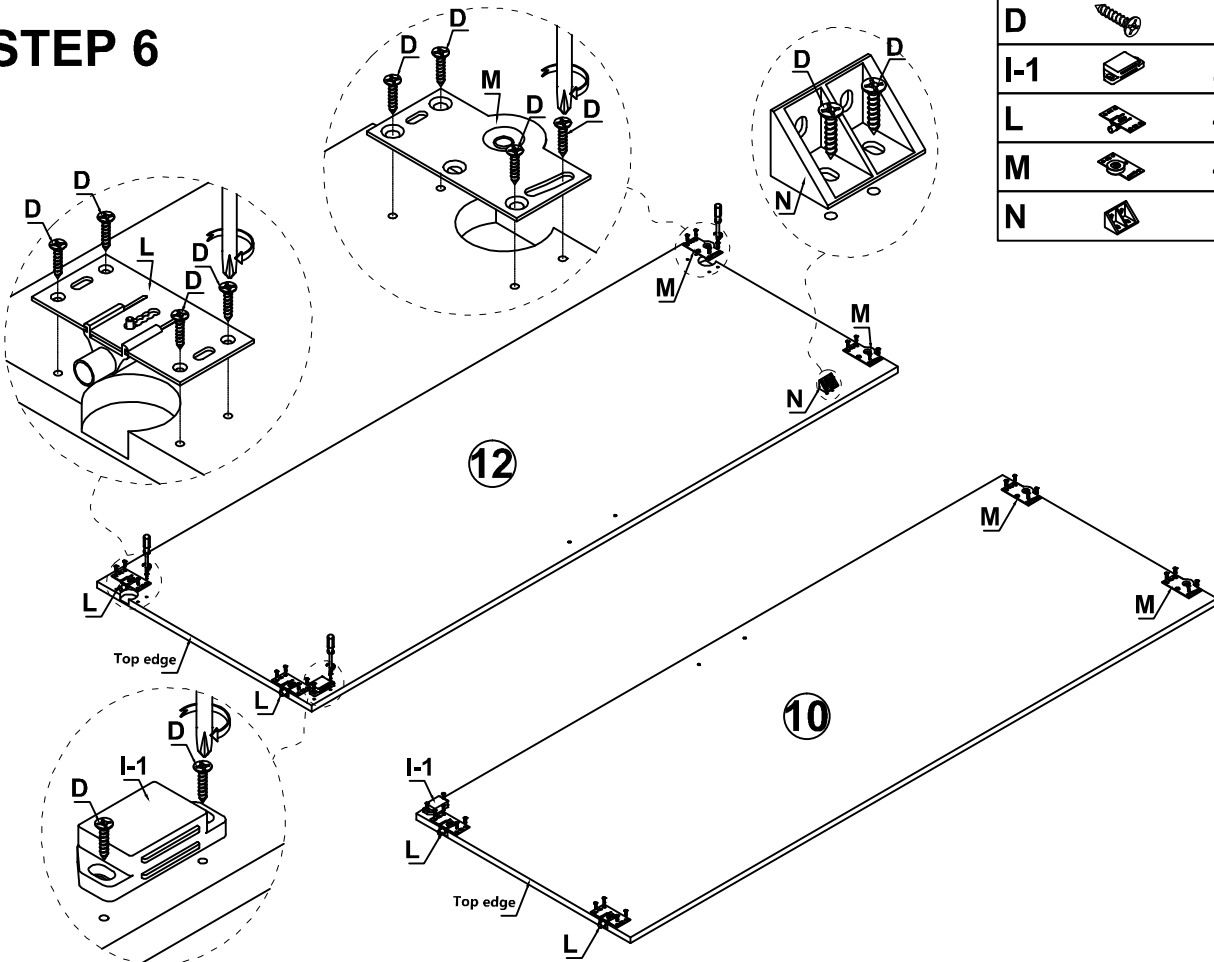
STEP 5

A		6 PCS
C		4 PCS



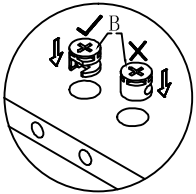
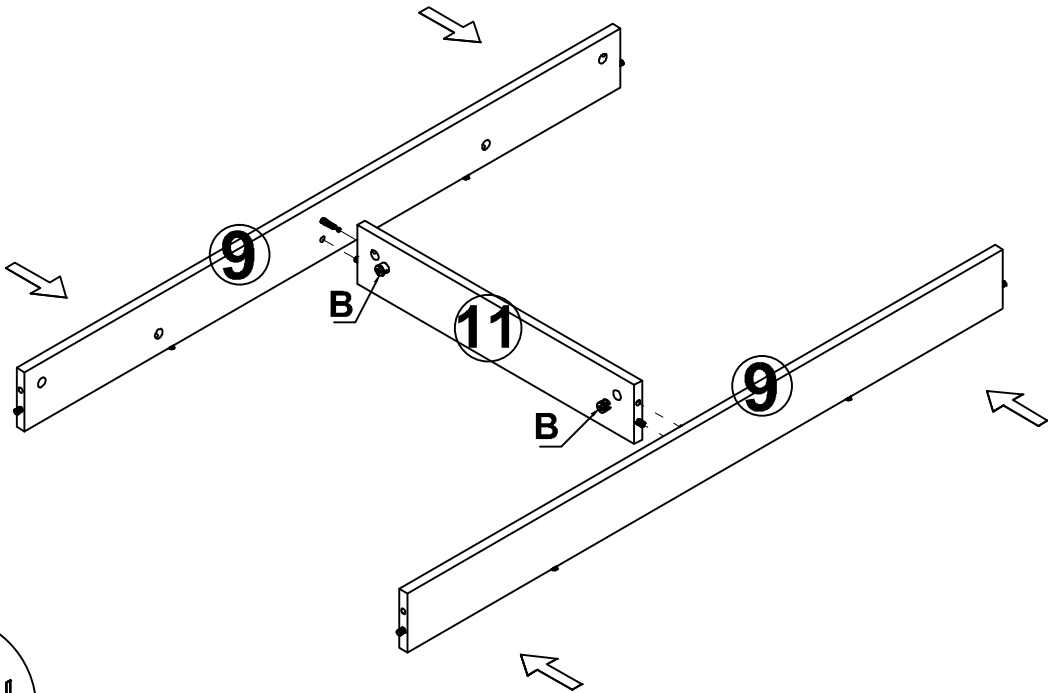
STEP 6

D		38 PCS
I-1		2 PCS
L		4 PCS
M		4 PCS
N		1 PCS



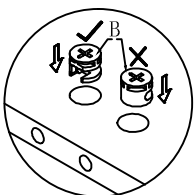
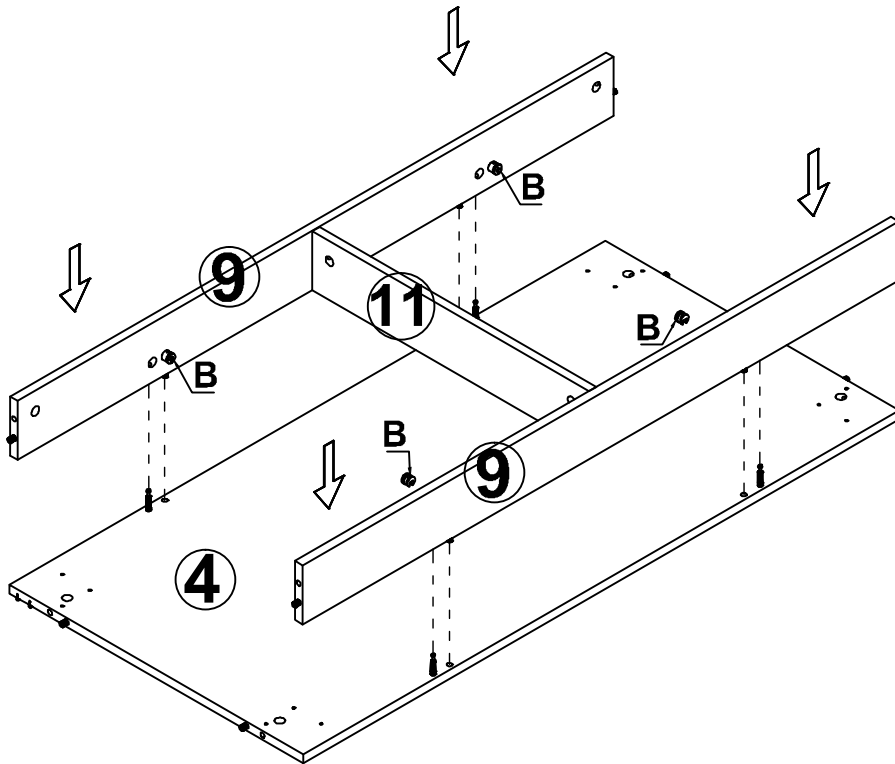
STEP 7

B  2 PCS



STEP 8

B  4 PCS

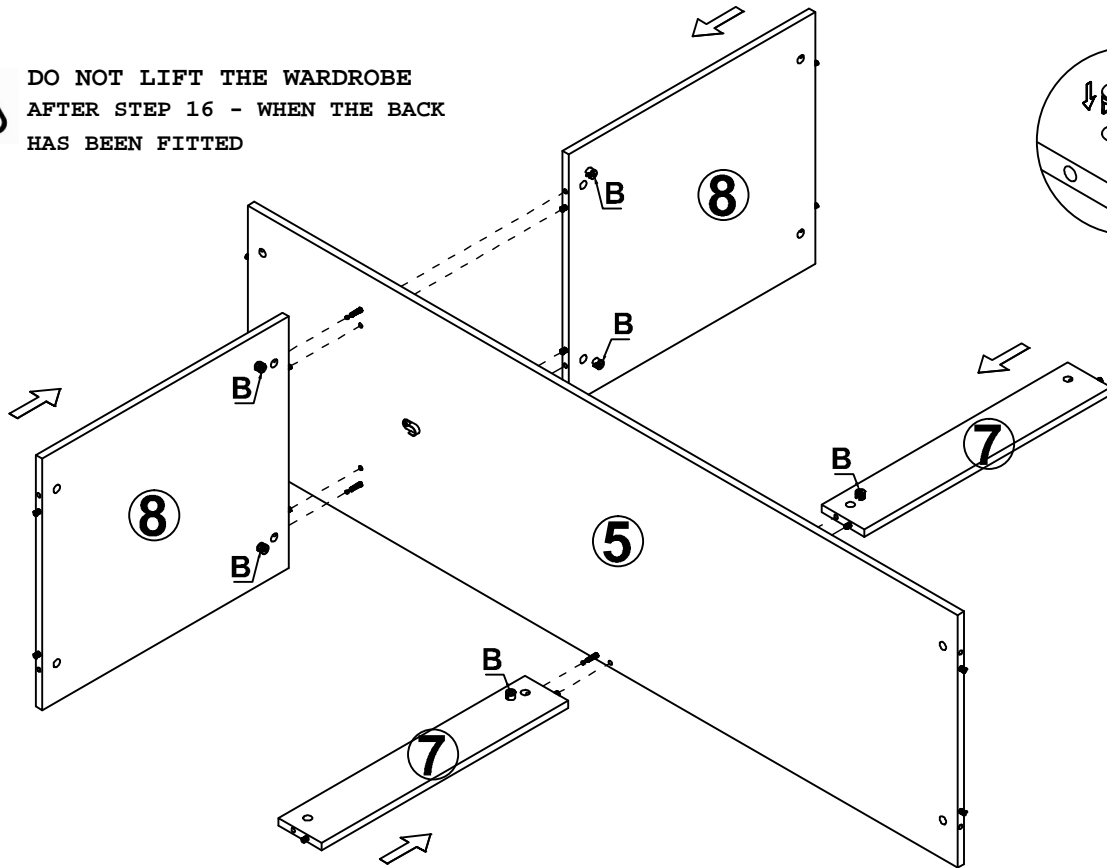


B  6 PCS

STEP 9



DO NOT LIFT THE WARDROBE
AFTER STEP 16 - WHEN THE BACK
HAS BEEN FITTED

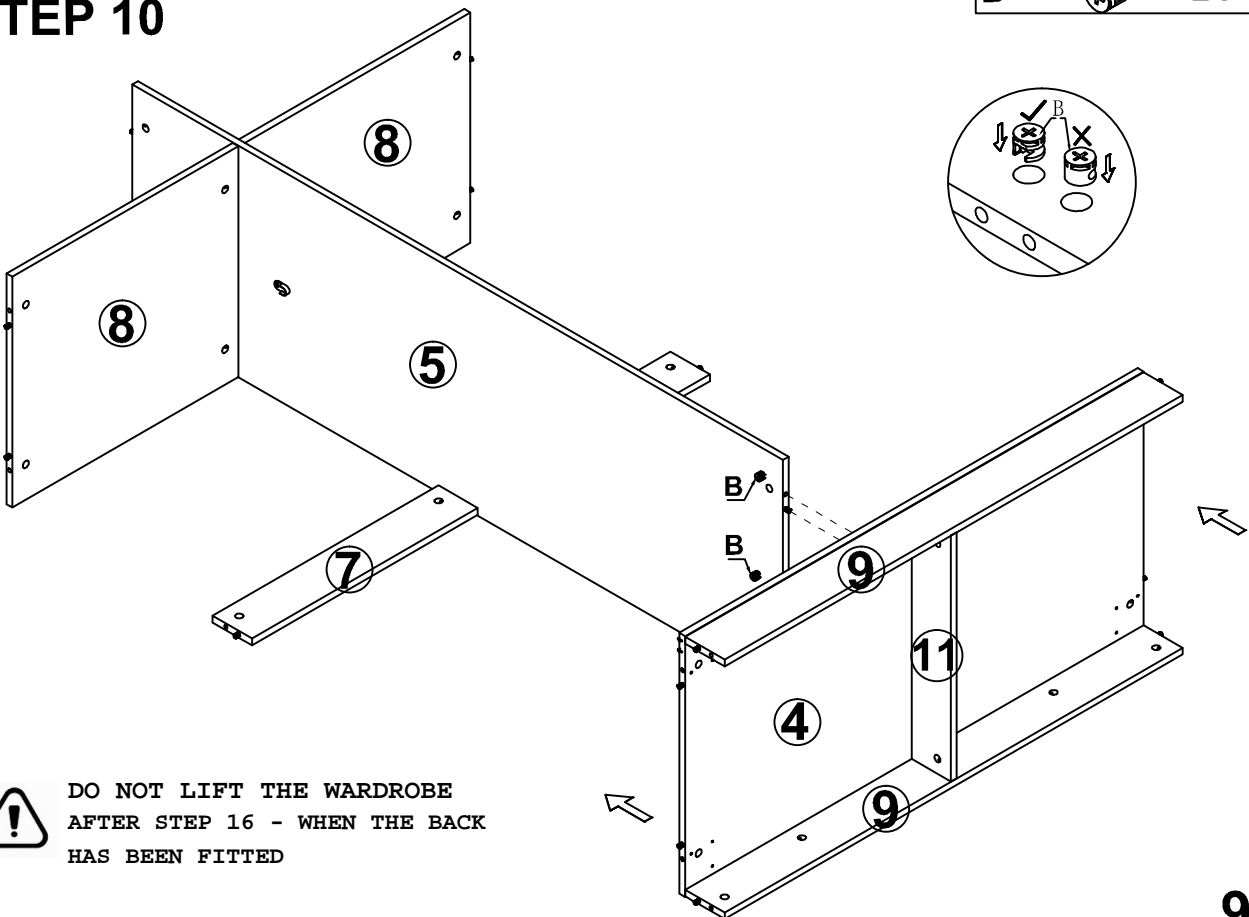


B  2 PCS

STEP 10



DO NOT LIFT THE WARDROBE
AFTER STEP 16 - WHEN THE BACK
HAS BEEN FITTED

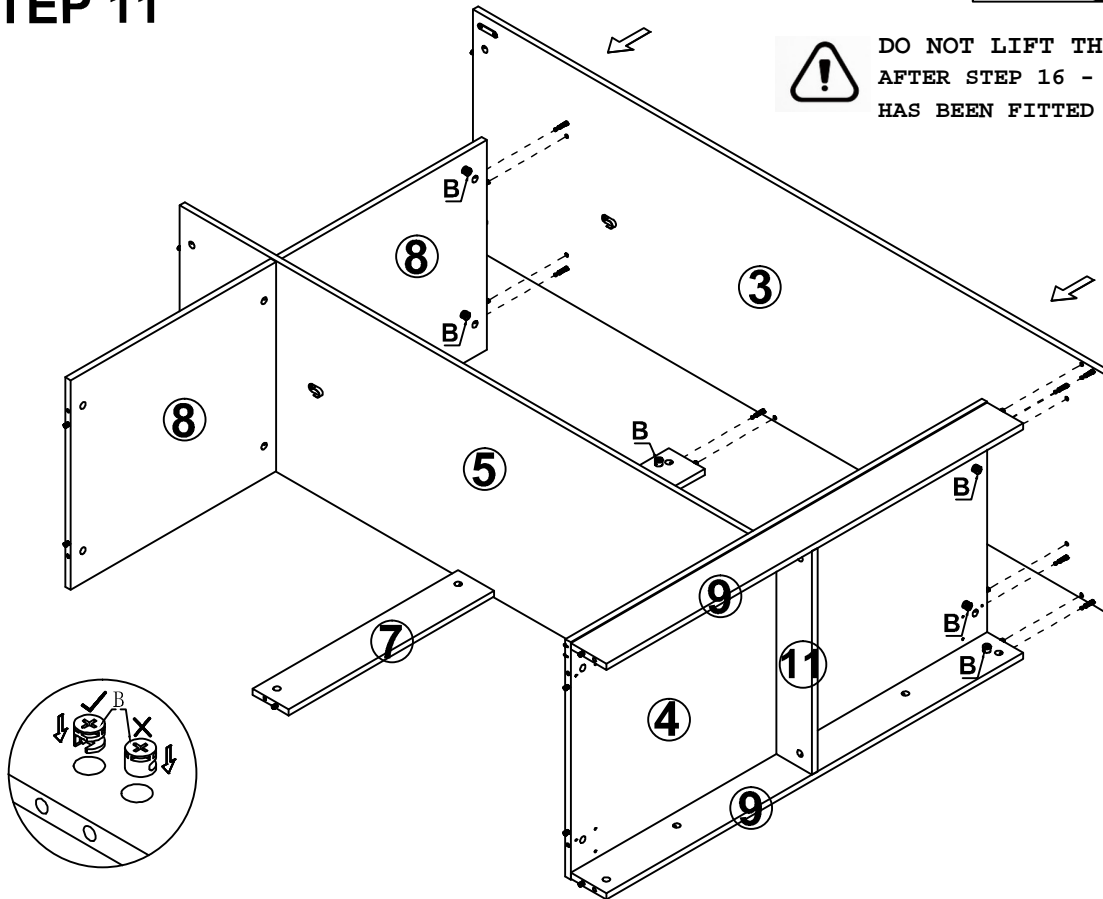


STEP 11

B  7 PCS



DO NOT LIFT THE WARDROBE
AFTER STEP 16 - WHEN THE BACK
HAS BEEN FITTED

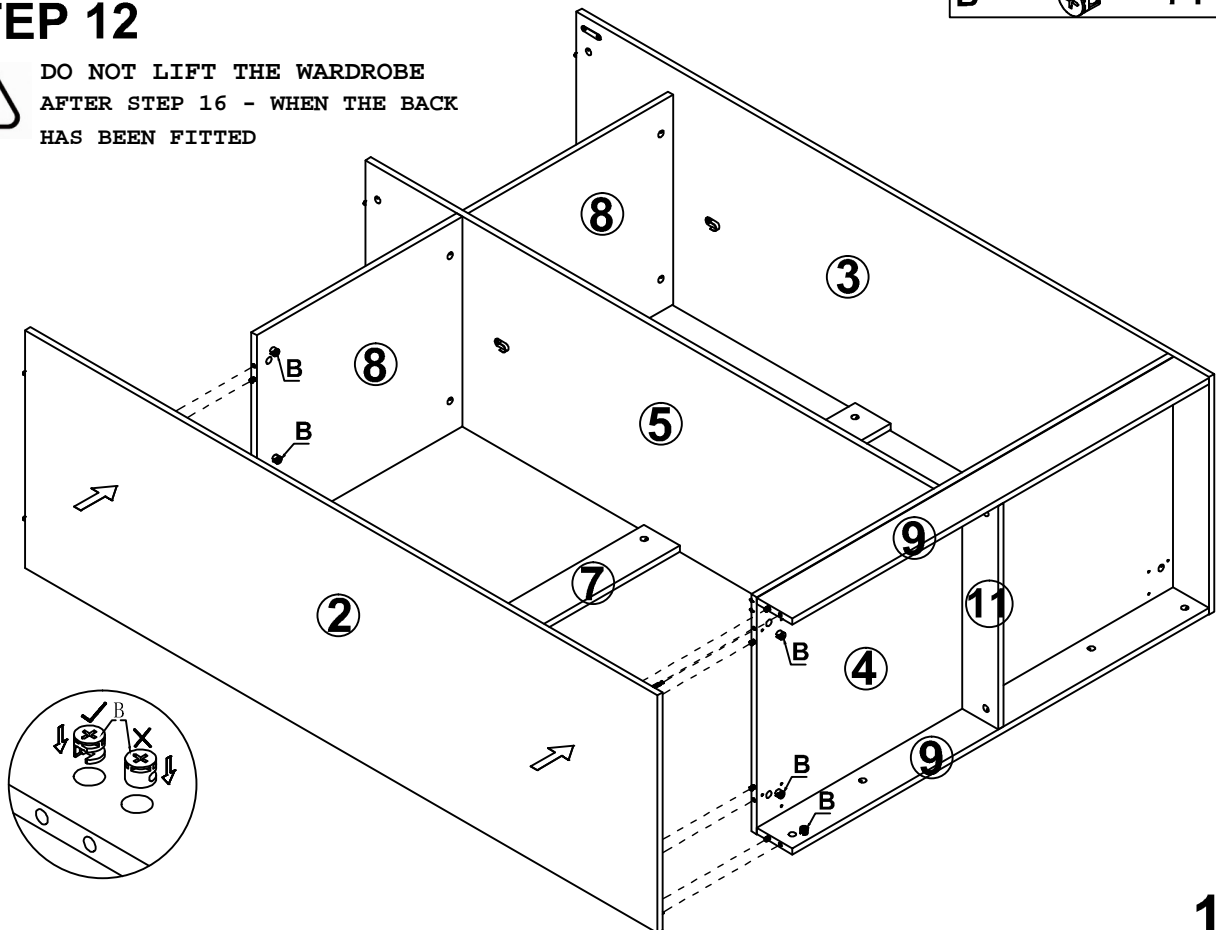


STEP 12

B  7 PCS



DO NOT LIFT THE WARDROBE
AFTER STEP 16 - WHEN THE BACK
HAS BEEN FITTED

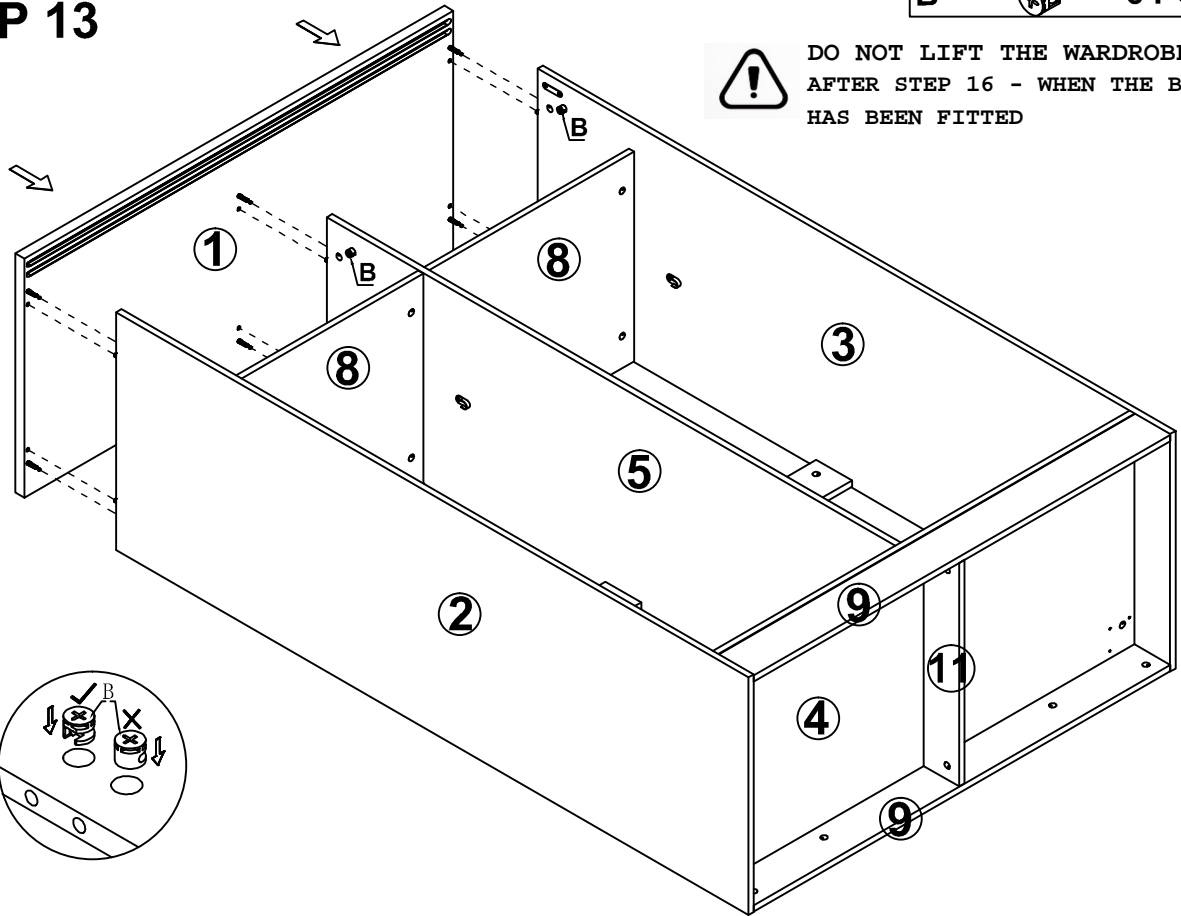


B  6 PCS

STEP 13

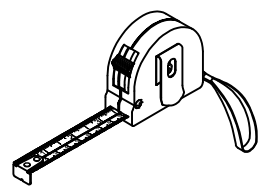


DO NOT LIFT THE WARDROBE
AFTER STEP 16 - WHEN THE BACK
HAS BEEN FITTED

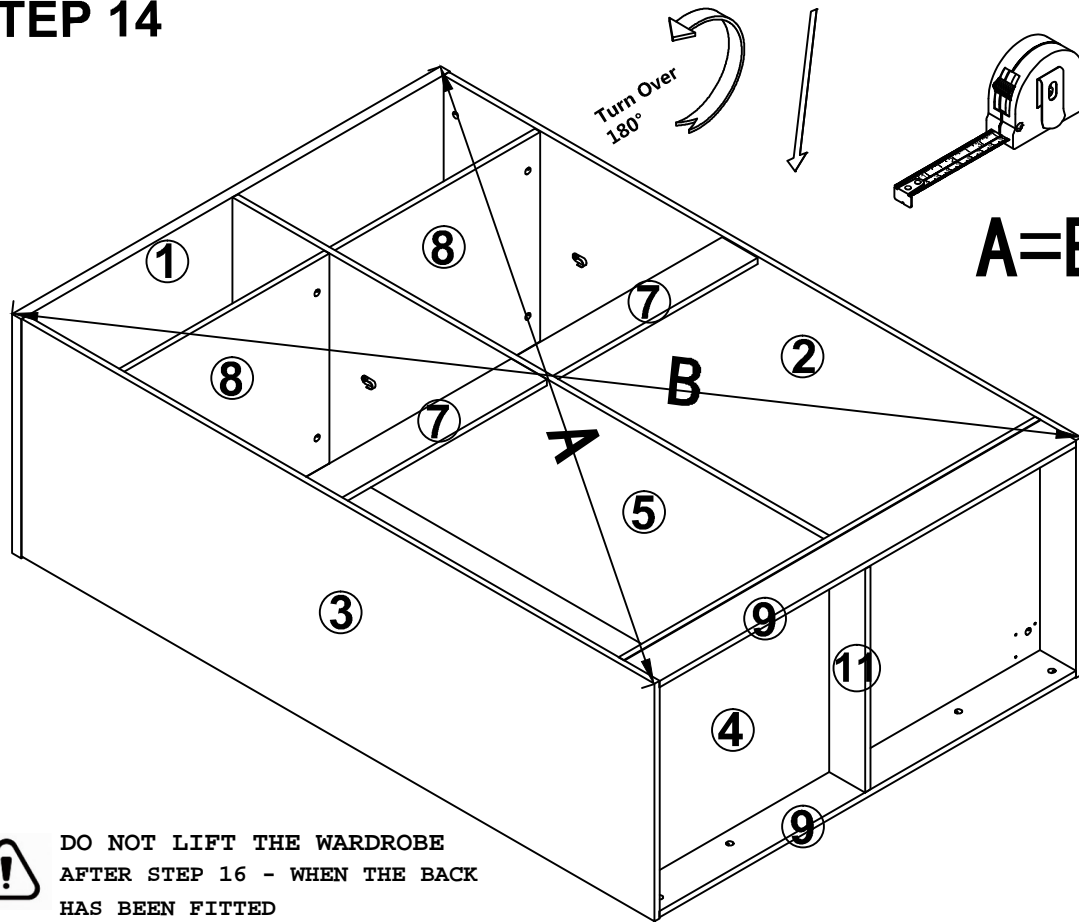


STEP 14

Turn Over
180°




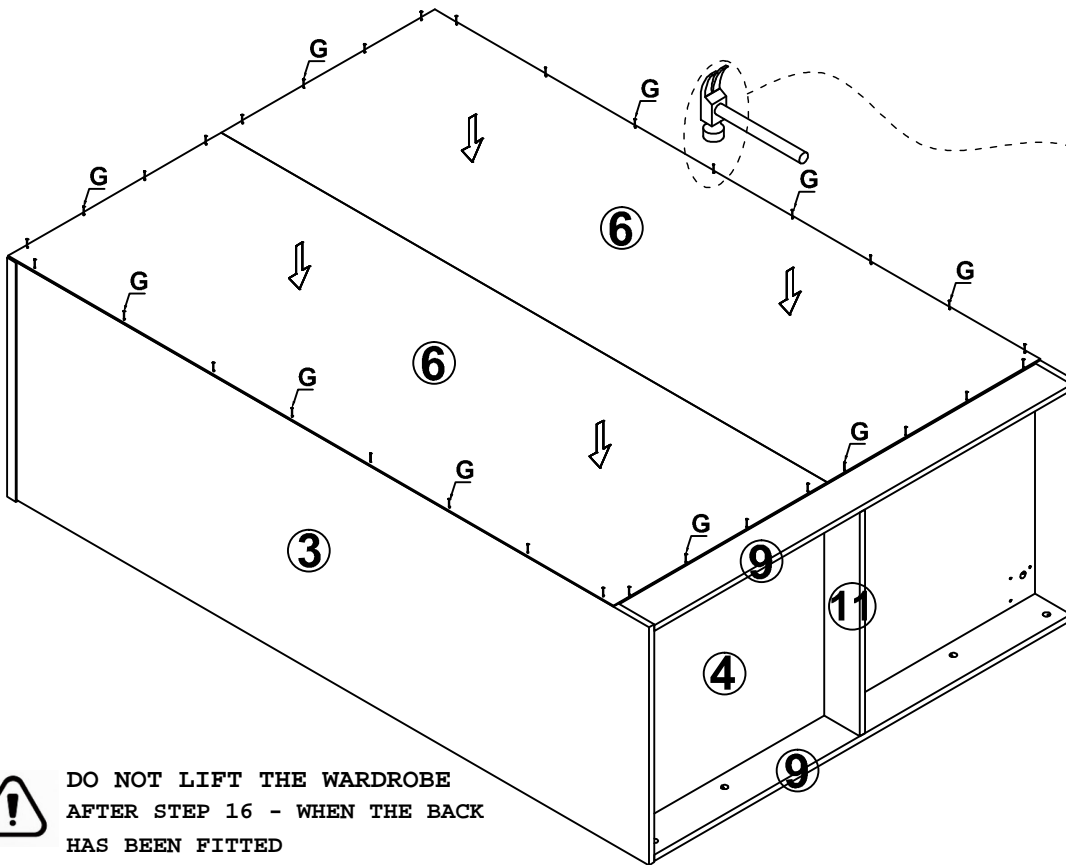
A=B



DO NOT LIFT THE WARDROBE
AFTER STEP 16 - WHEN THE BACK
HAS BEEN FITTED


STEP 15

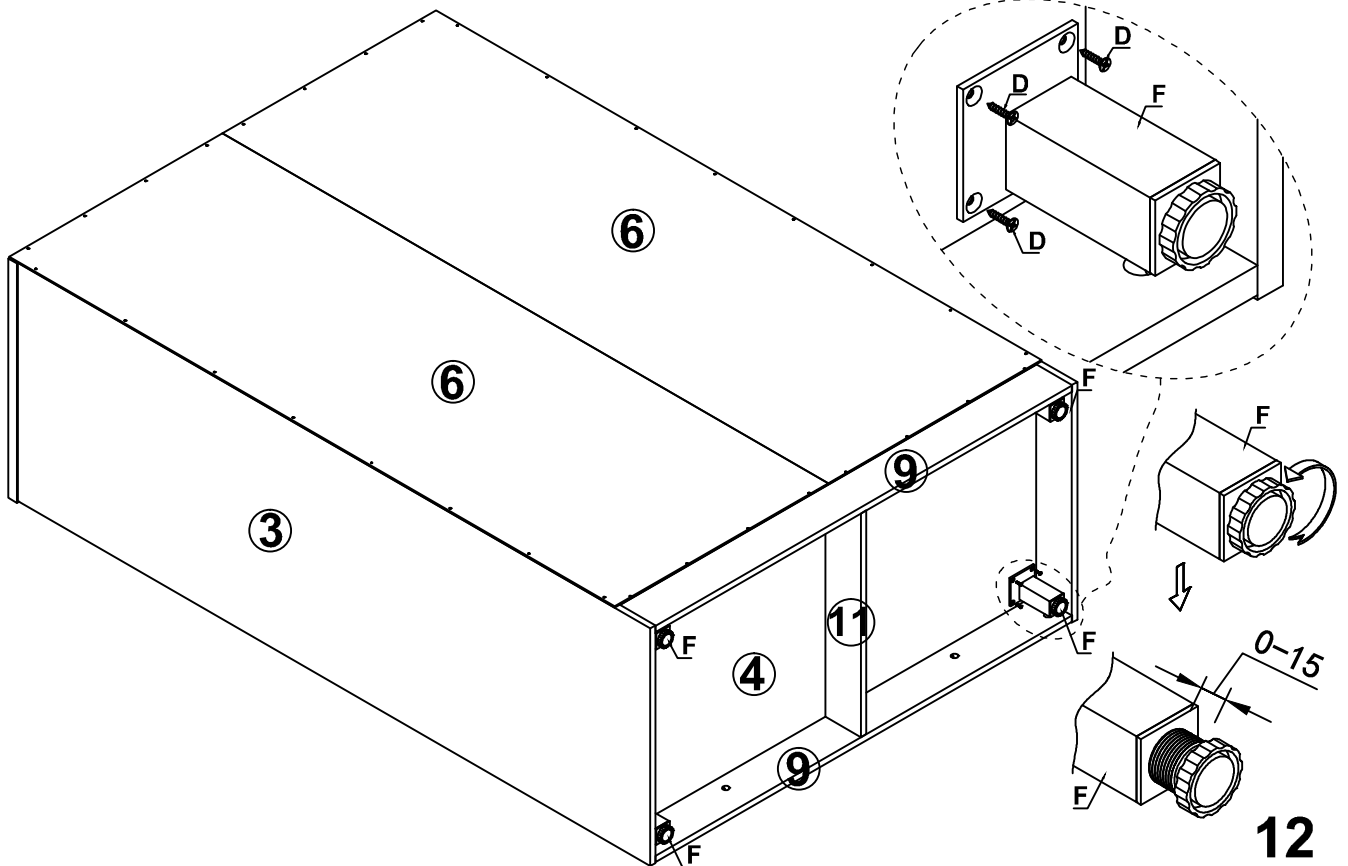
G  32PCS



DO NOT LIFT THE WARDROBE
AFTER STEP 16 - WHEN THE BACK
HAS BEEN FITTED

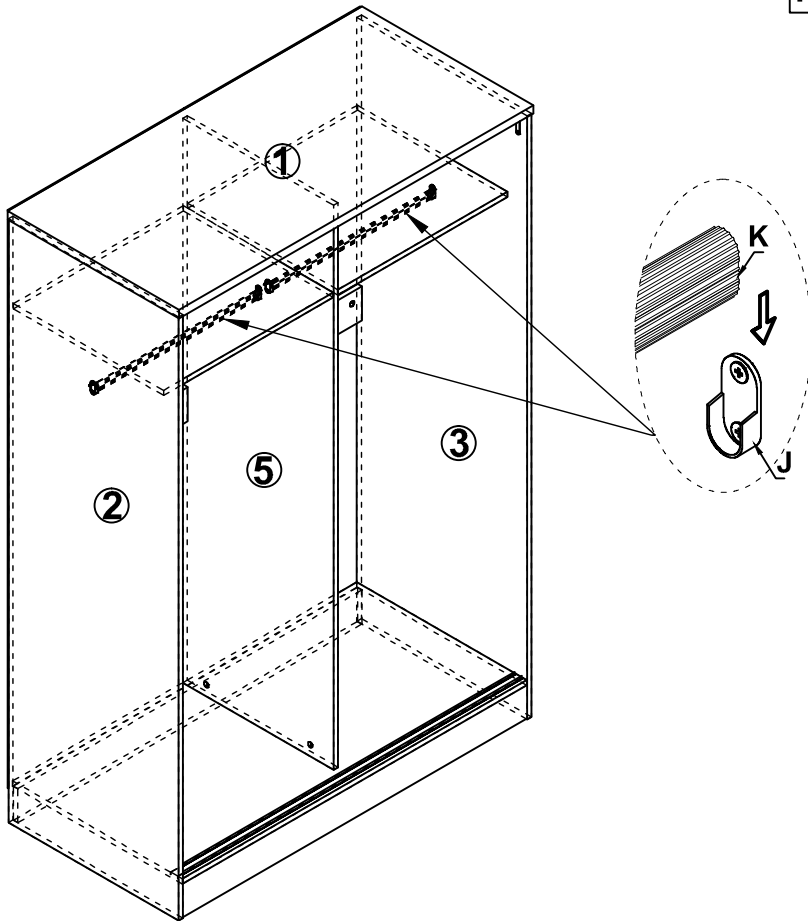
STEP 16

D  12PCS
F  4PCS

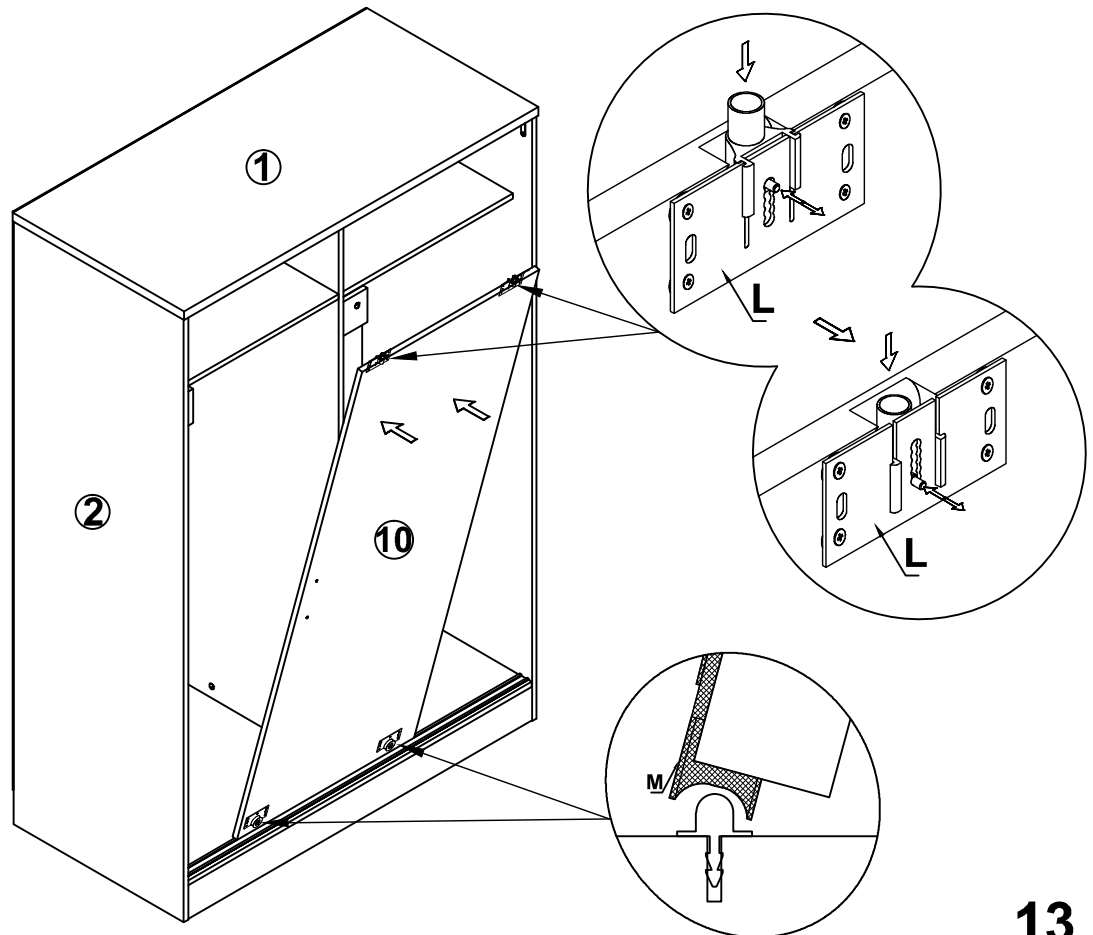


STEP 17

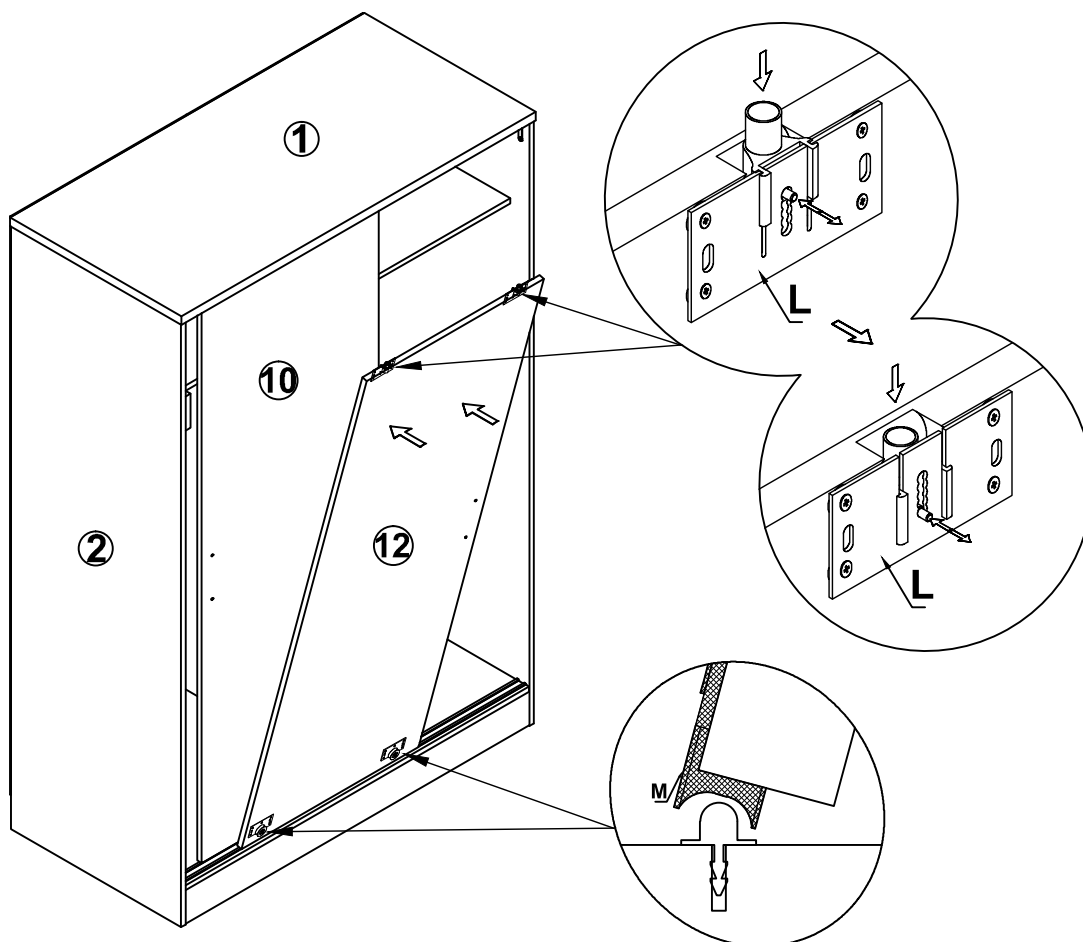
K  2PCS




STEP 18

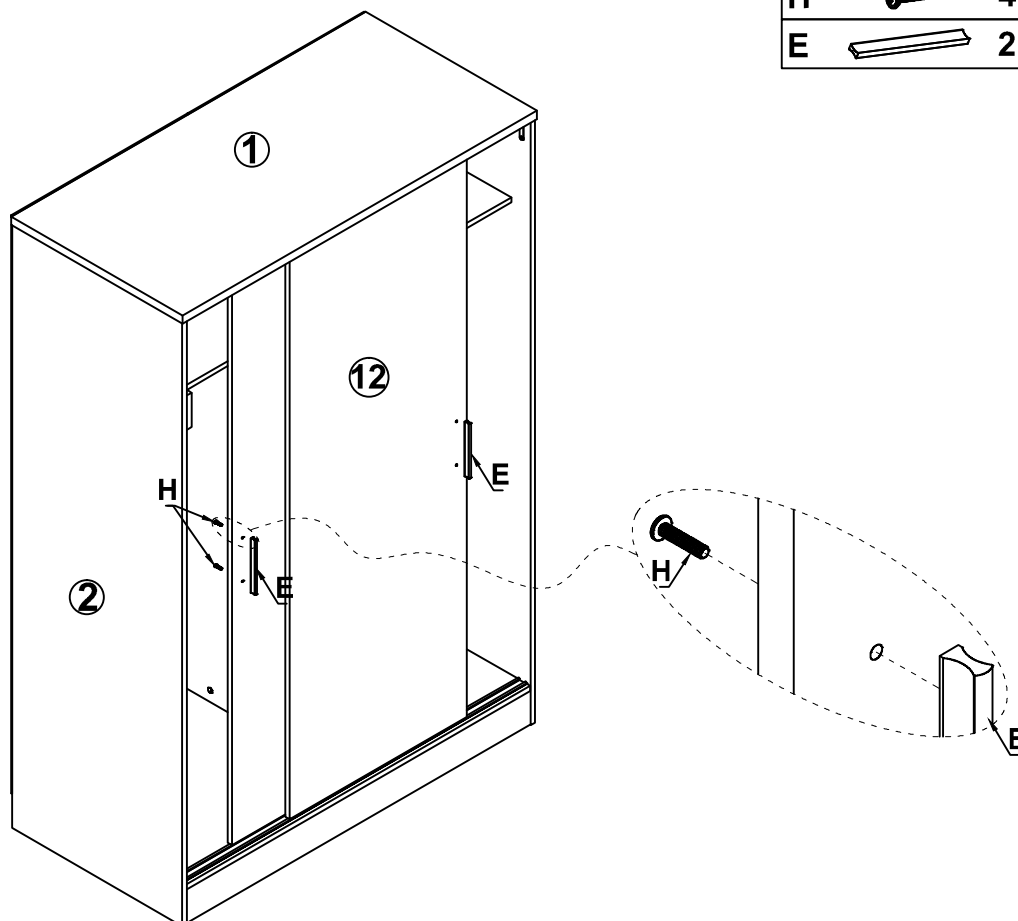


STEP 19



STEP 20

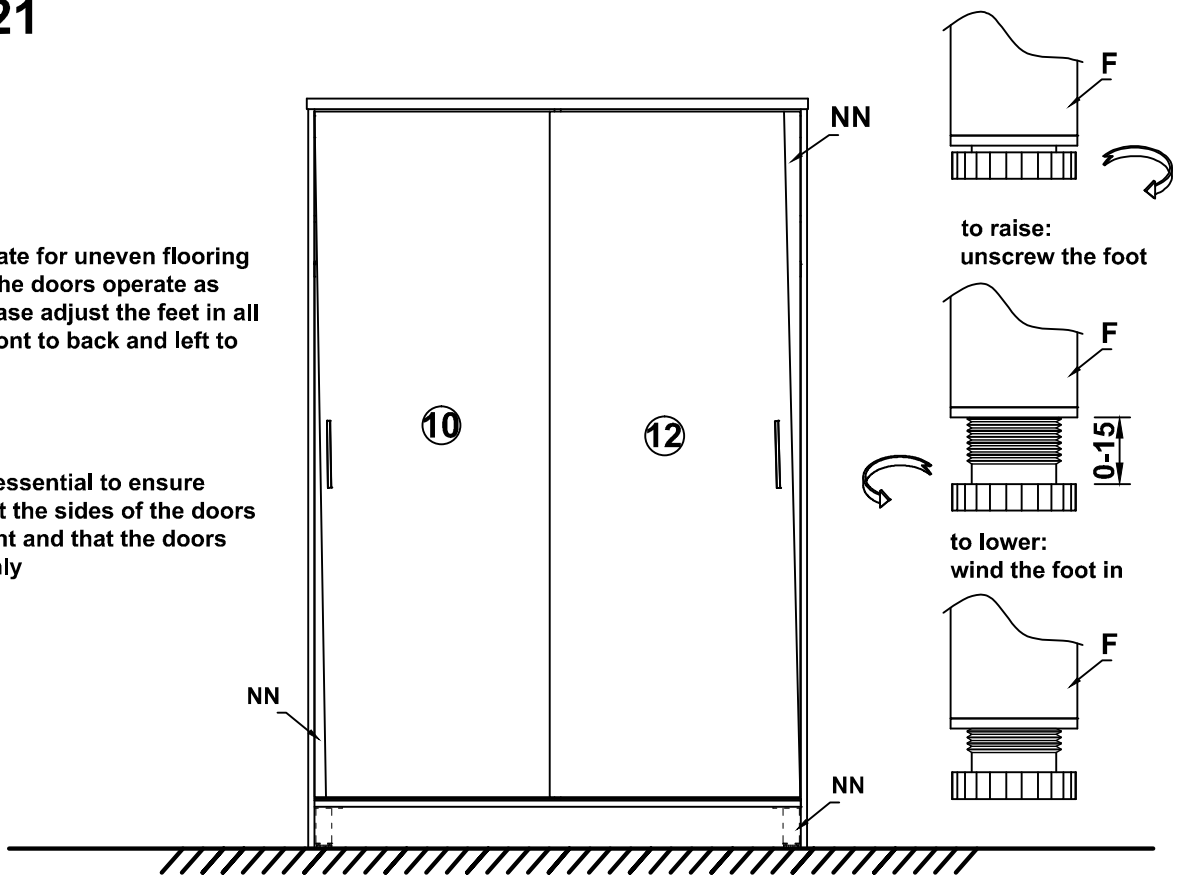
H		4 PCS
E		2 PCS



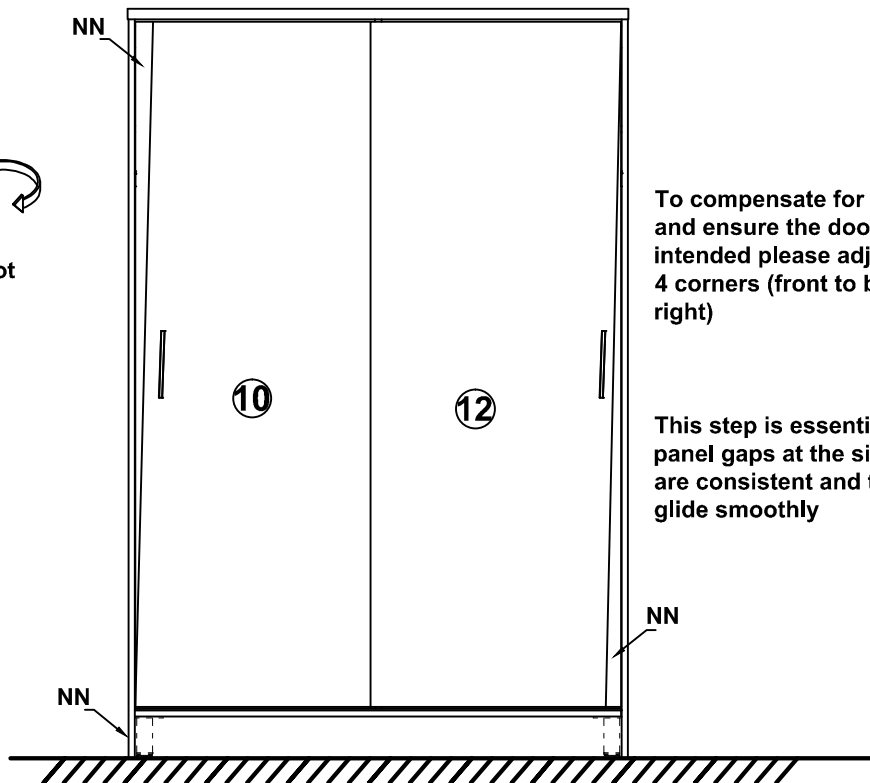
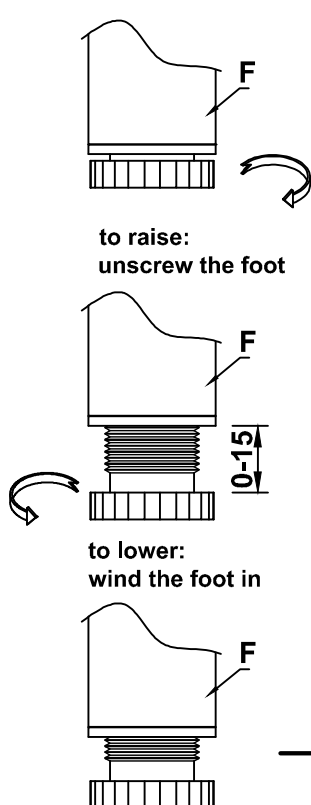
STEP 21

To compensate for uneven flooring and ensure the doors operate as intended please adjust the feet in all 4 corners (front to back and left to right)

This step is essential to ensure panel gaps at the sides of the doors are consistent and that the doors glide smoothly



STEP 22



To compensate for uneven flooring and ensure the doors operate as intended please adjust the feet in all 4 corners (front to back and left to right)

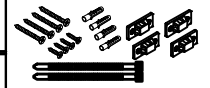
This step is essential to ensure panel gaps at the sides of the doors are consistent and that the doors glide smoothly

STEP 23

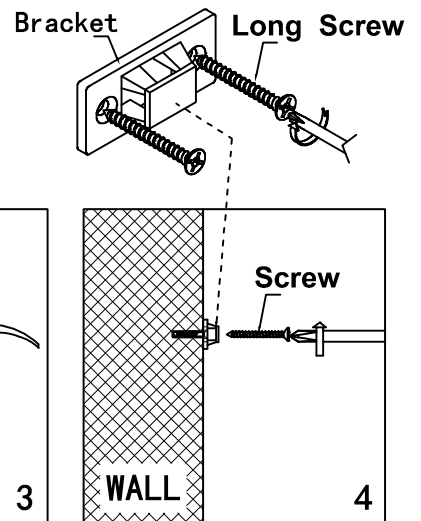
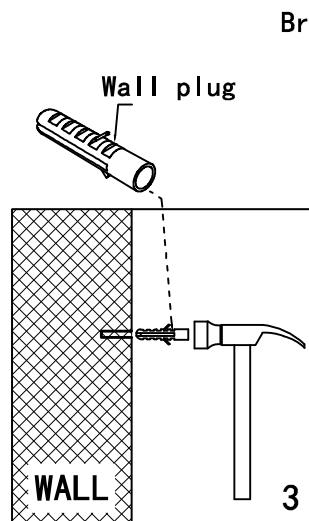
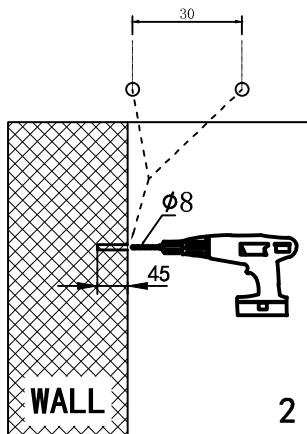
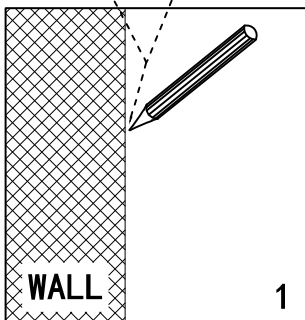
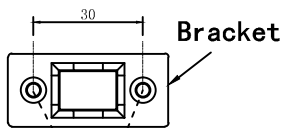
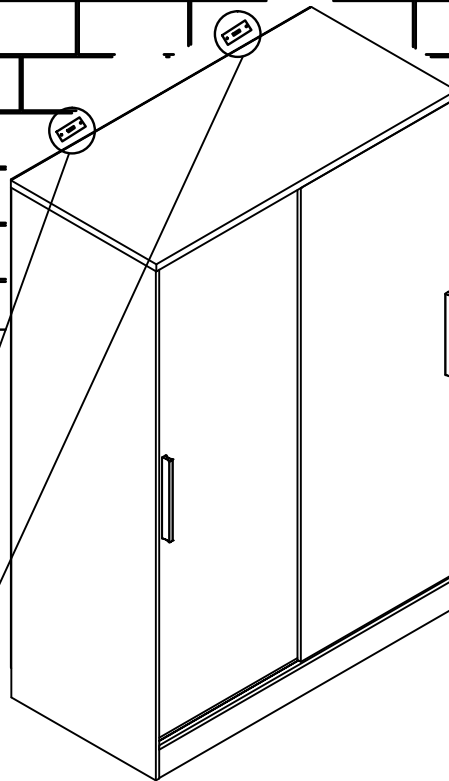
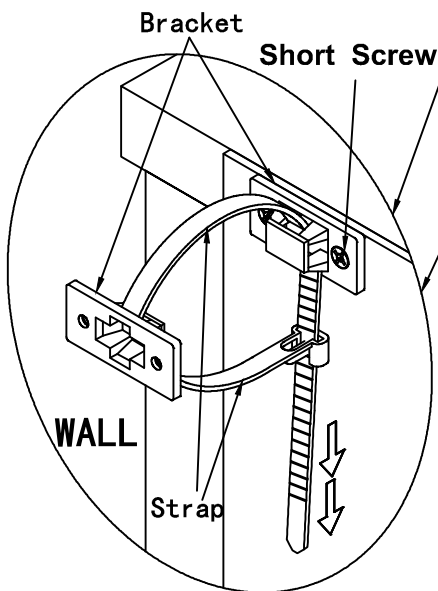
OPTIONAL:

For Health and Safety reasons we advise you to use Safety Strap supplied.


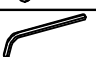
Bracket/Strap

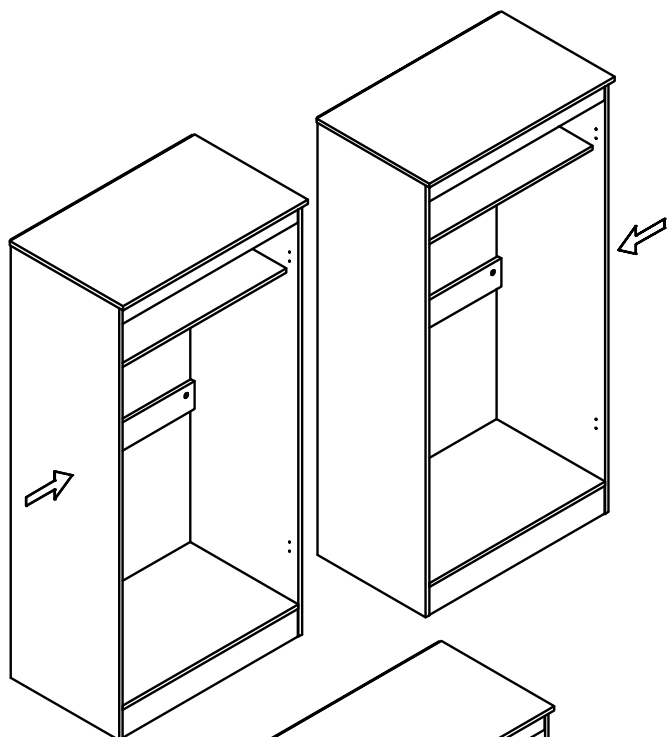


O=1



Optional step - available to match reflect range wardrobes only

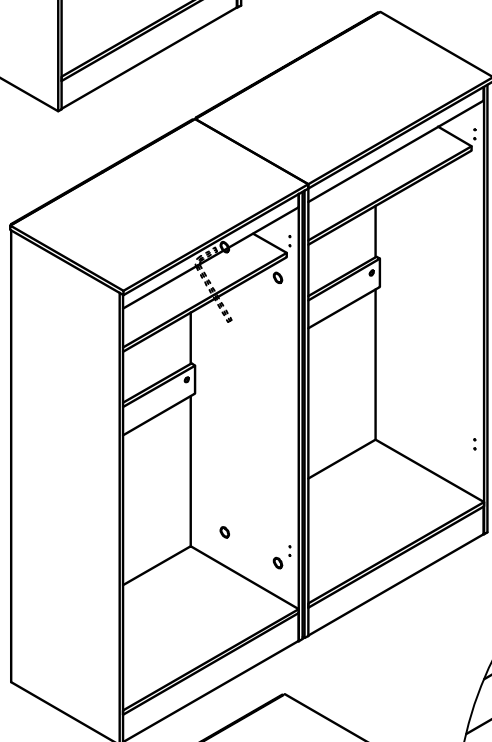
Q		4 PCS
P		1 PC



To Secure multiple pieces of the wardrobes together:

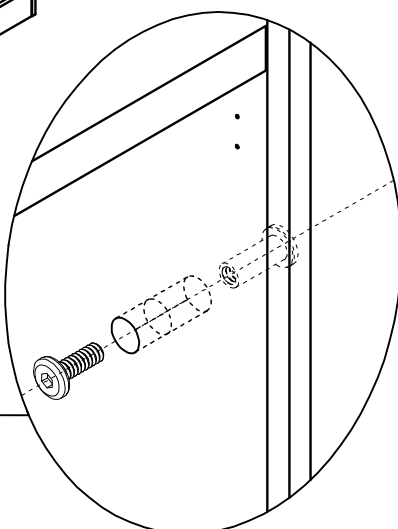
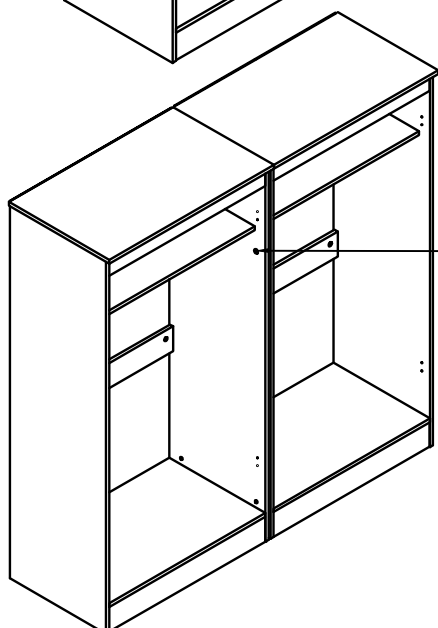
Step 1:
Position the wardrobes together in the location where they will remain

It will be easier to connect the wardrobes with the doors removed



Step 2:
Drill through both side panels as indicated

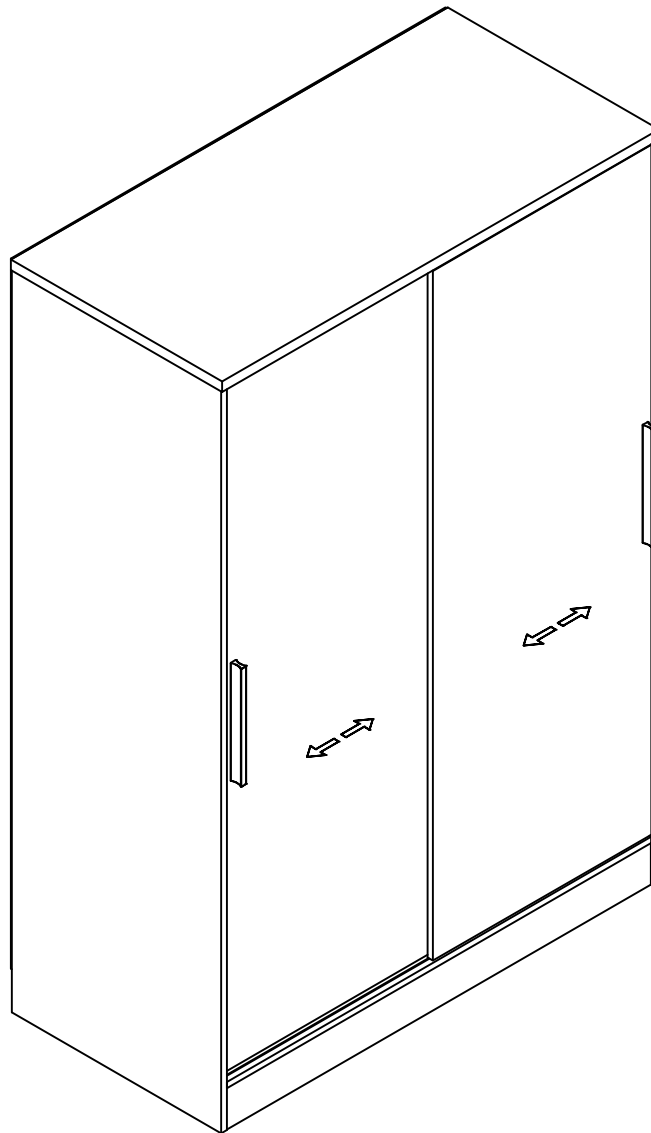
The holes should be level for the best results.



Step 3:
Position the receiving sleeve of the bolt on the right wardrobe.
Then screw screw the into the receiver .

Your **SLIDING WARDROBE** is now completely assembled

Periodically check to ensure that the components are in their proper position , free from damage Also , make sure the connectors are tight and secure.



Keep instructions for future reference

