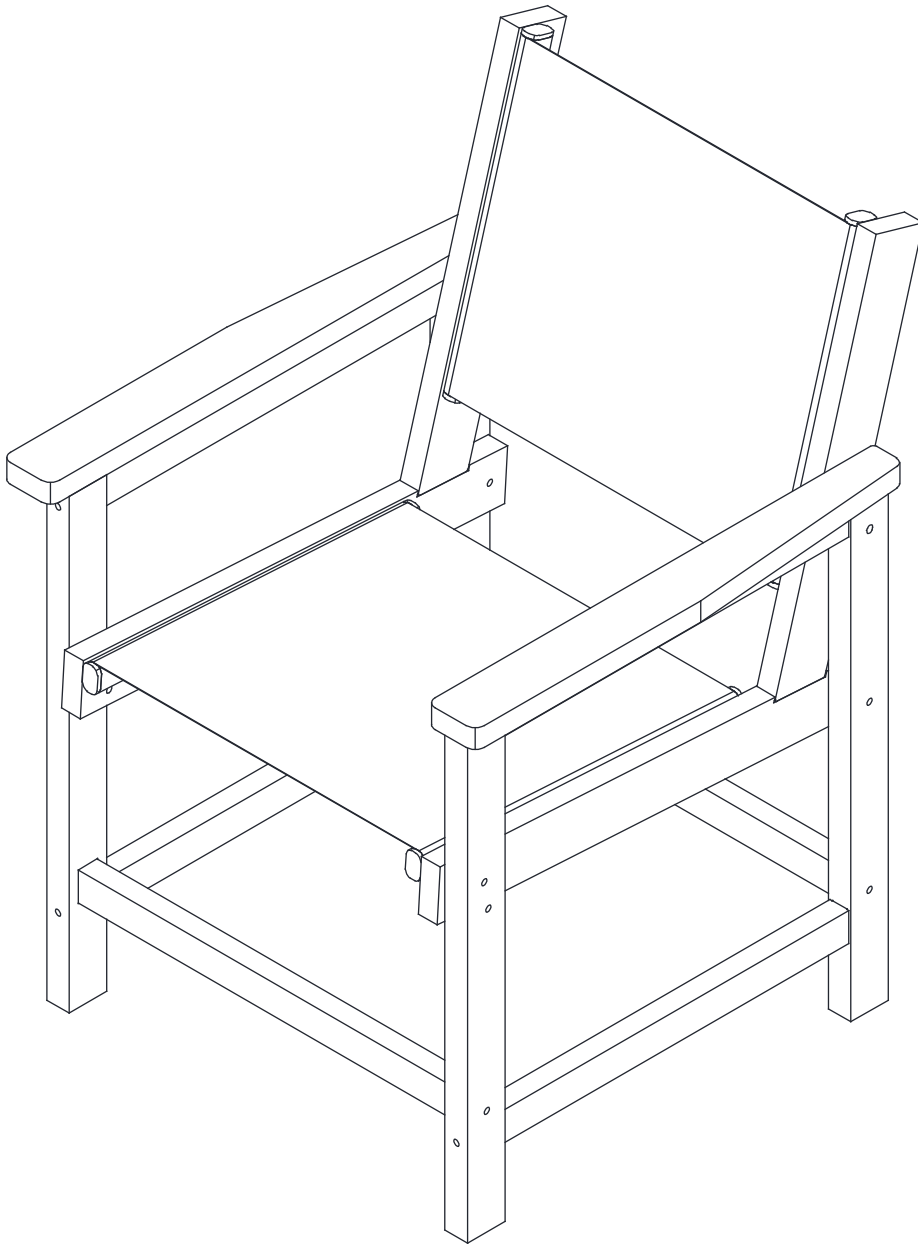
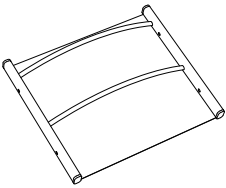
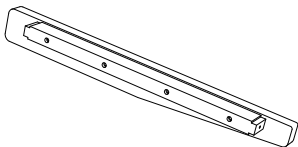
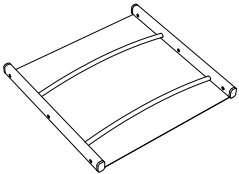
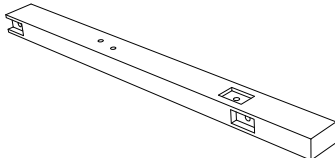
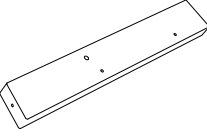
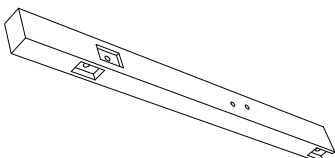
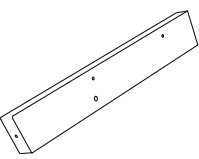
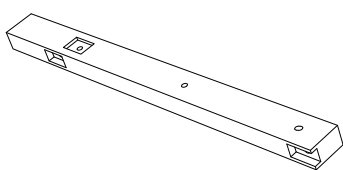
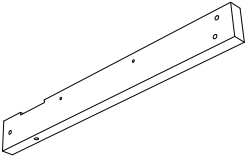
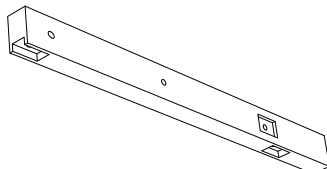
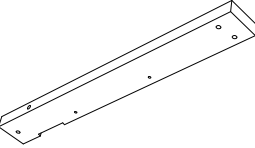
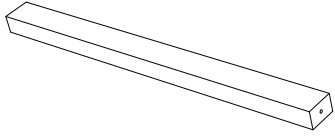
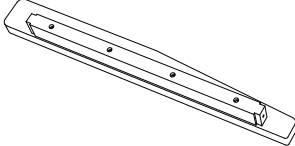
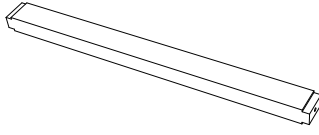


Assembly Instruction

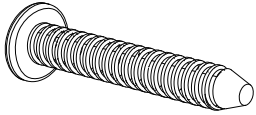
LZRS-HDPE Dining Chair



Parts

	A 1PC		H 1PC
	B 1PC		I 1PC
	C 1PC		J 1PC
	D 1PC		K 1PC
	E 1PC		L 1PC
	F 1PC		M 2PCS
	G 1PC		N 2PCS

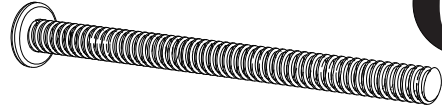
Hardware



1

ST6.3x42

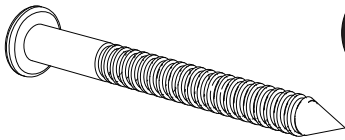
8PCS



6

M6x85

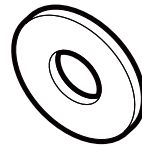
2PCS



2

ST6.3x60

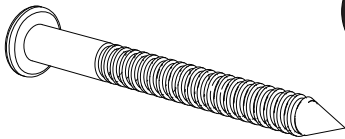
4PCS



7

M6 Washer

8PCS



3

ST6.3x70

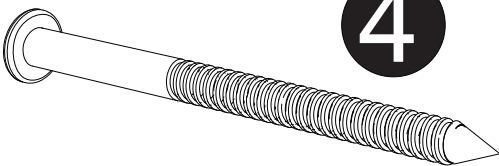
8PCS



8

M6 Nut

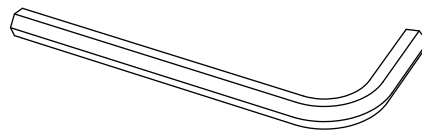
8PCS



4

ST6.3x90

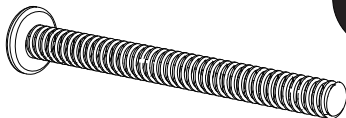
2PCS



9

Allen key

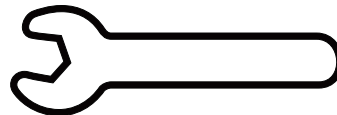
1PC



5

M6x65

6PCS



10

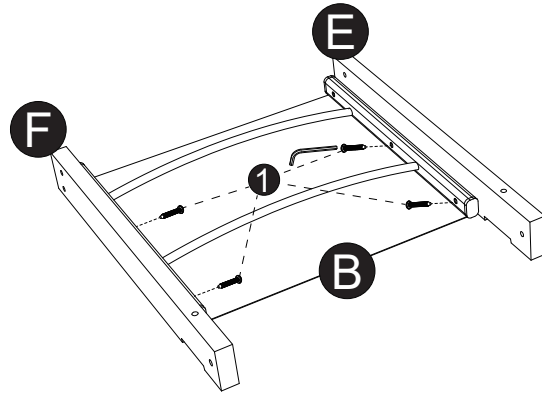
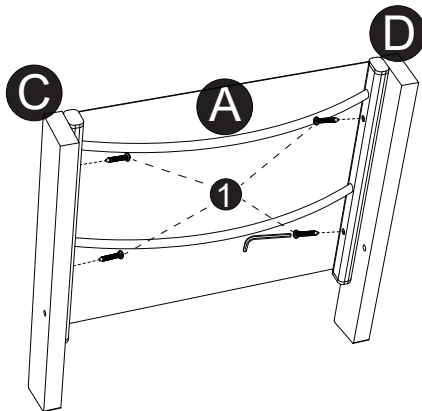
Spanner

1PC

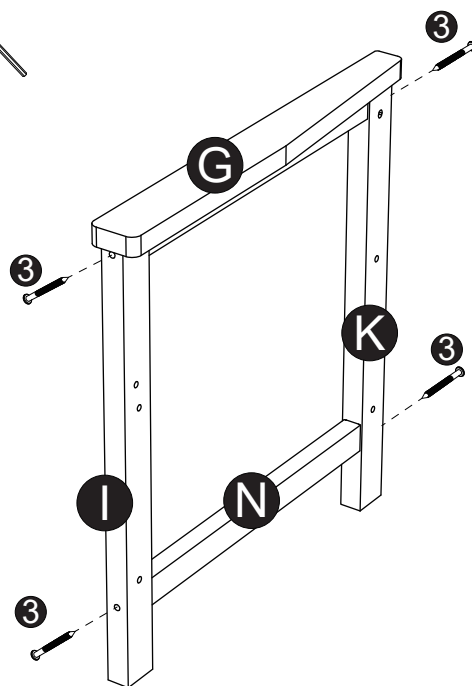
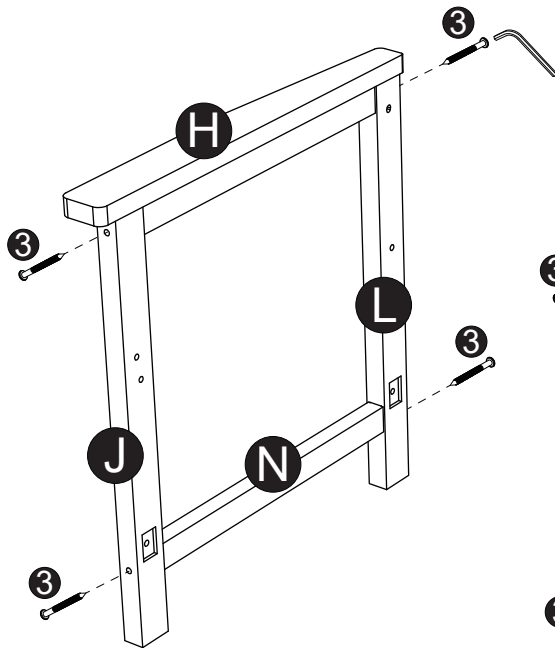


NOTE: UNIT SHOULD BE ASSEMBLED BY TWO OR MORE PEOPLE.
DO NOT TIGHTEN ANY BOLTS UNTIL ALL BOLTS HAVE BEEN STARTED!

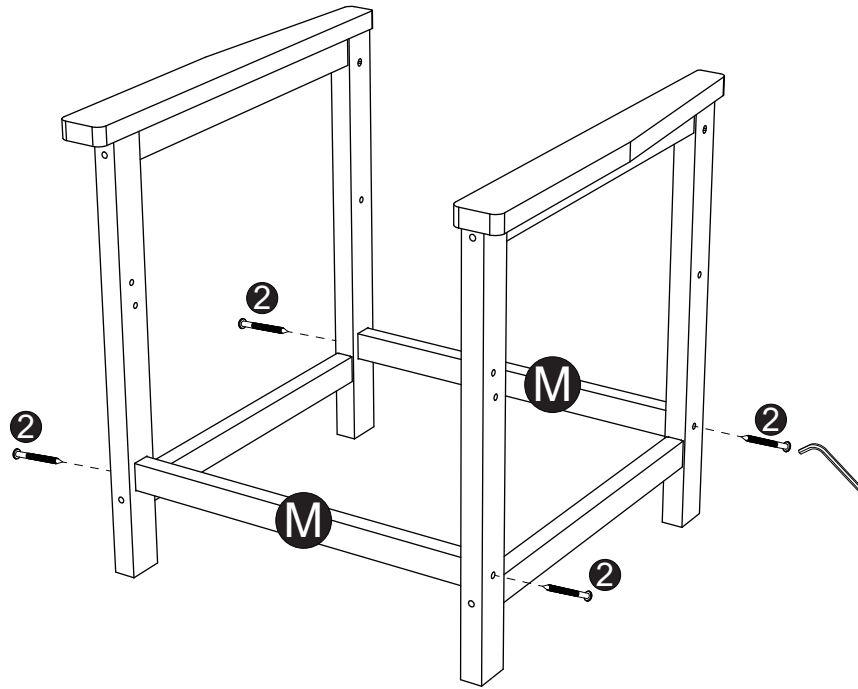
STEP 1:



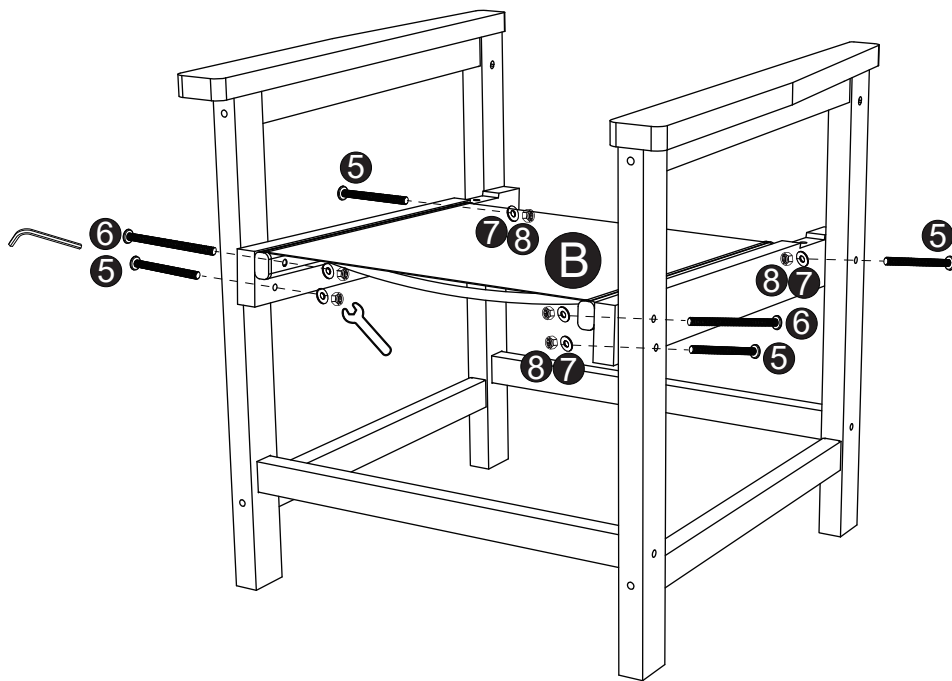
STEP 2:



STEP 3:



STEP 4:



STEP 5:

